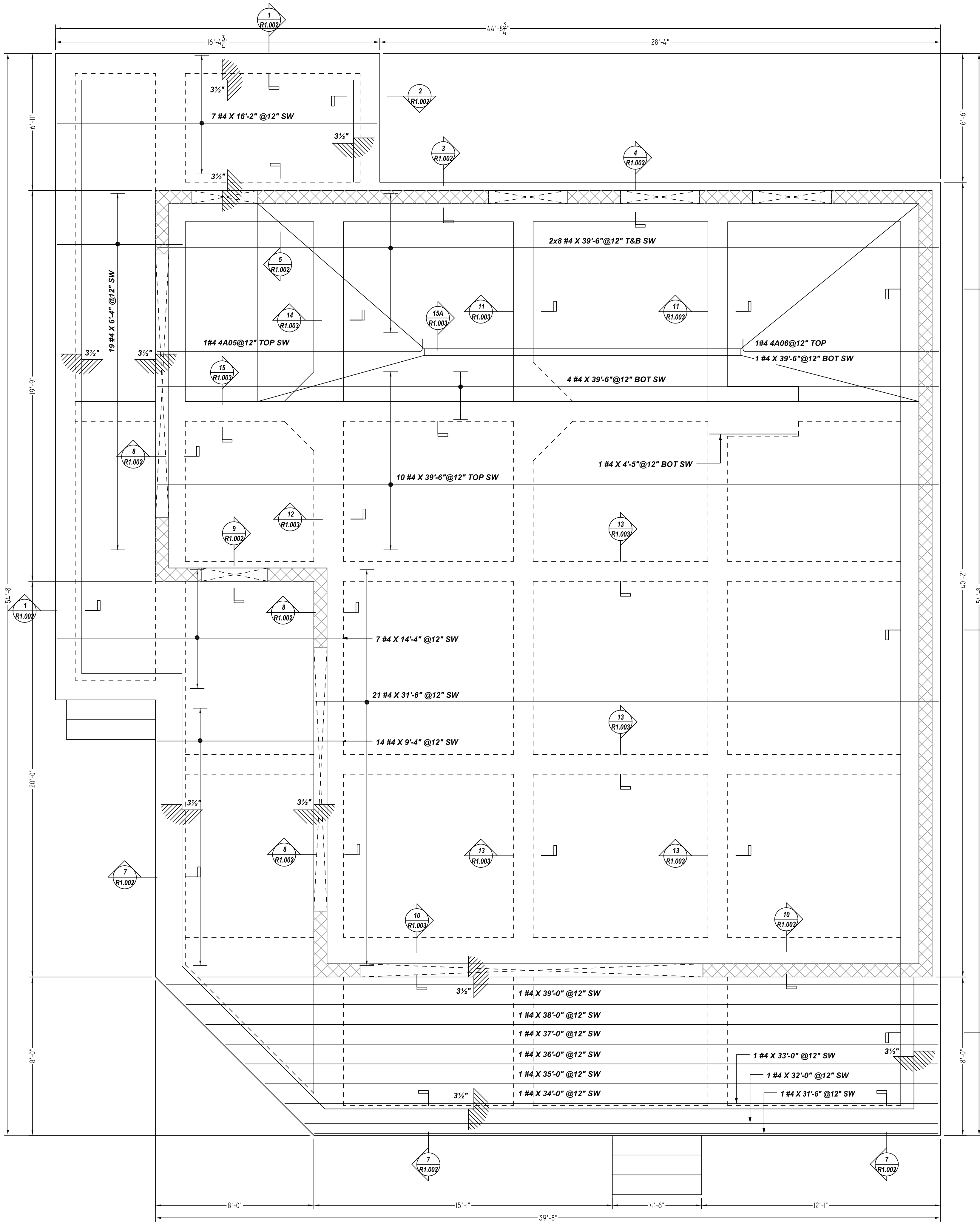


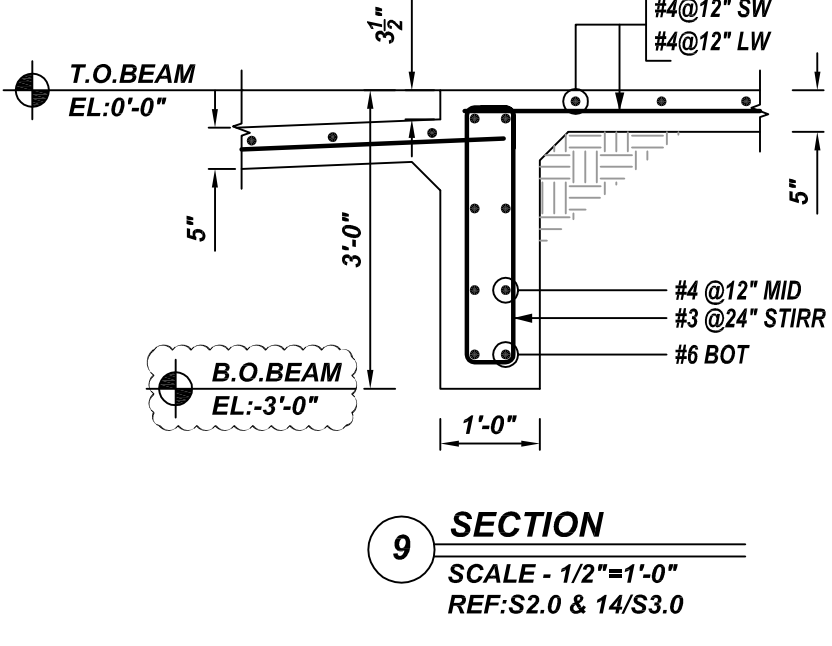
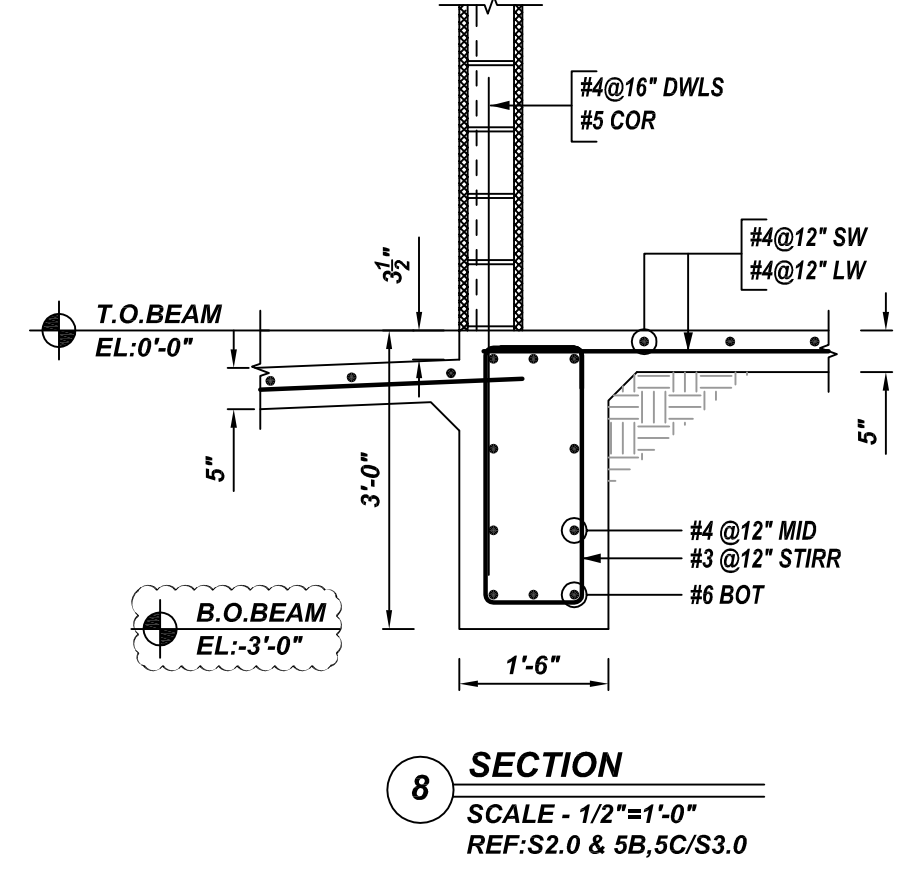
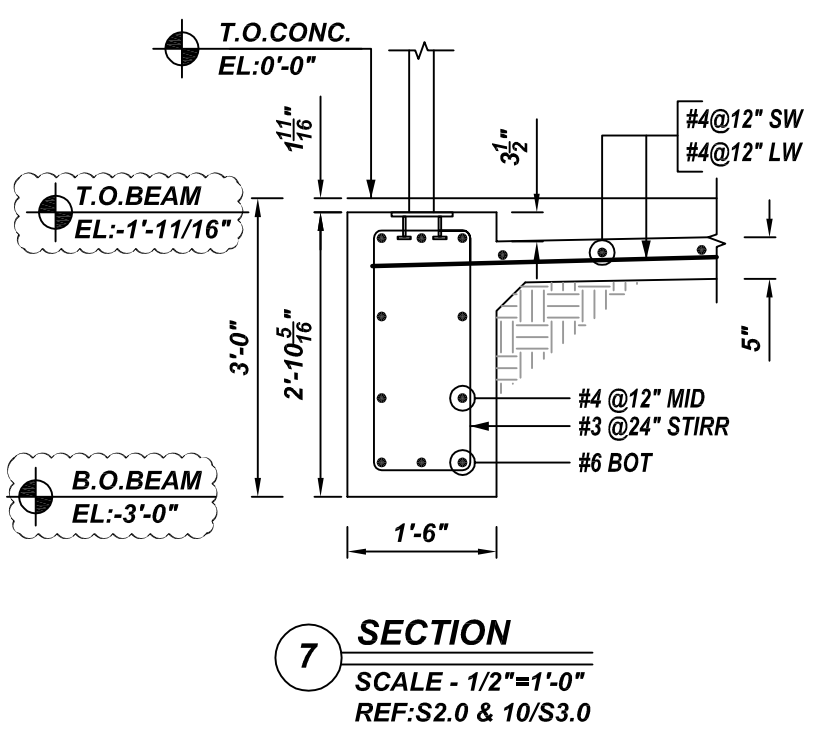
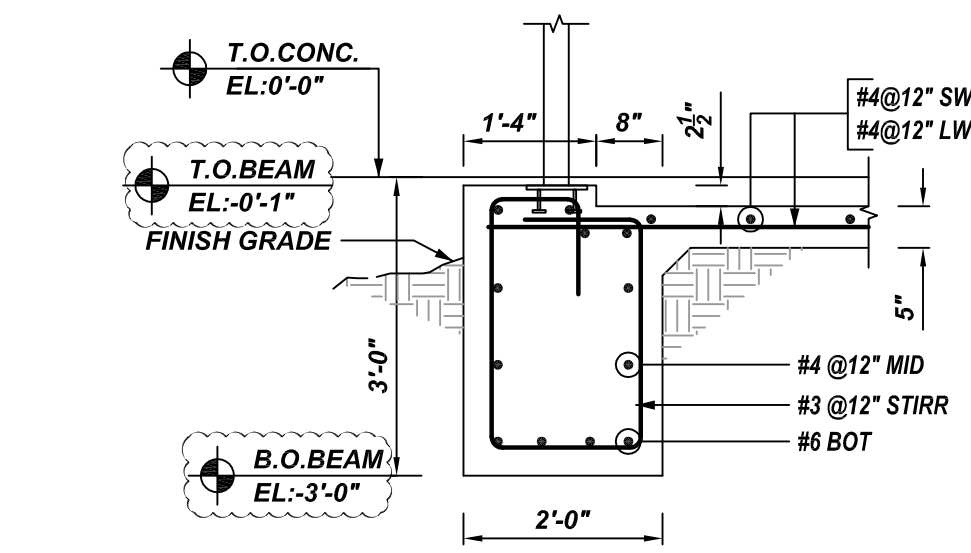
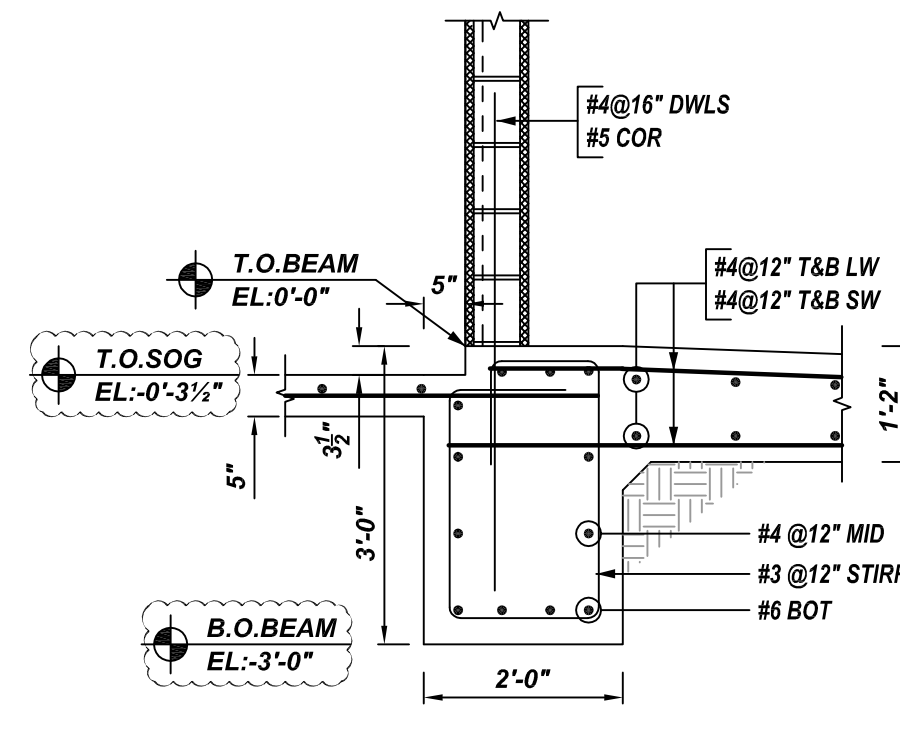
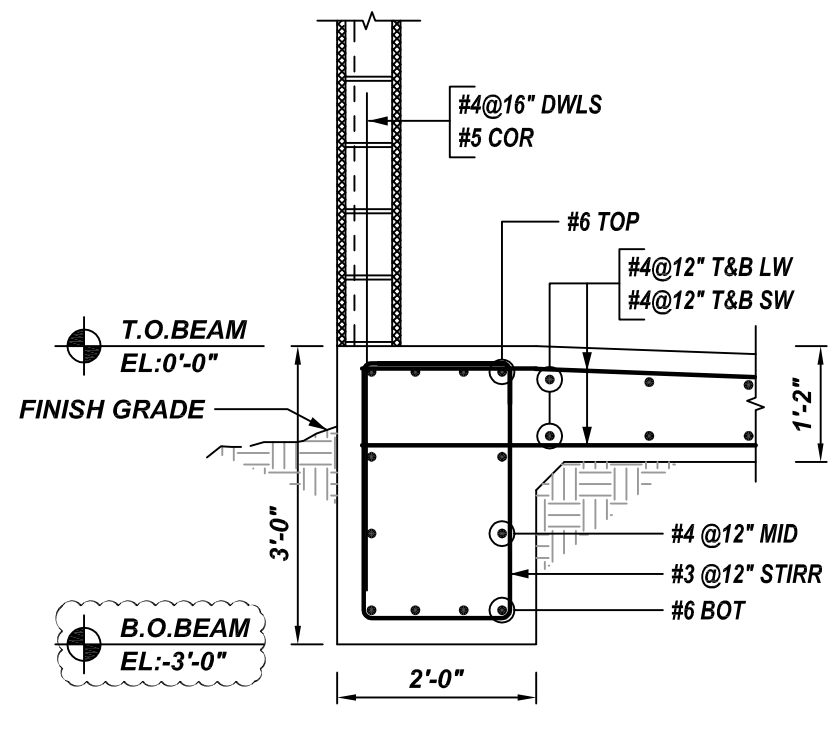
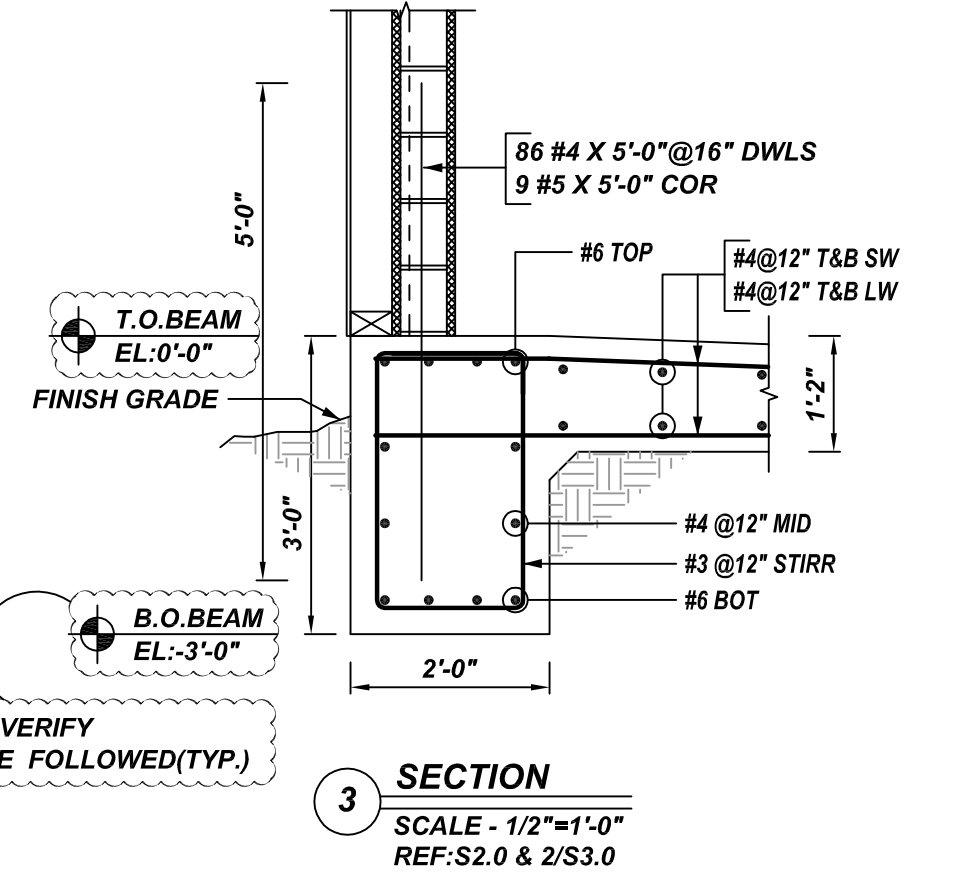
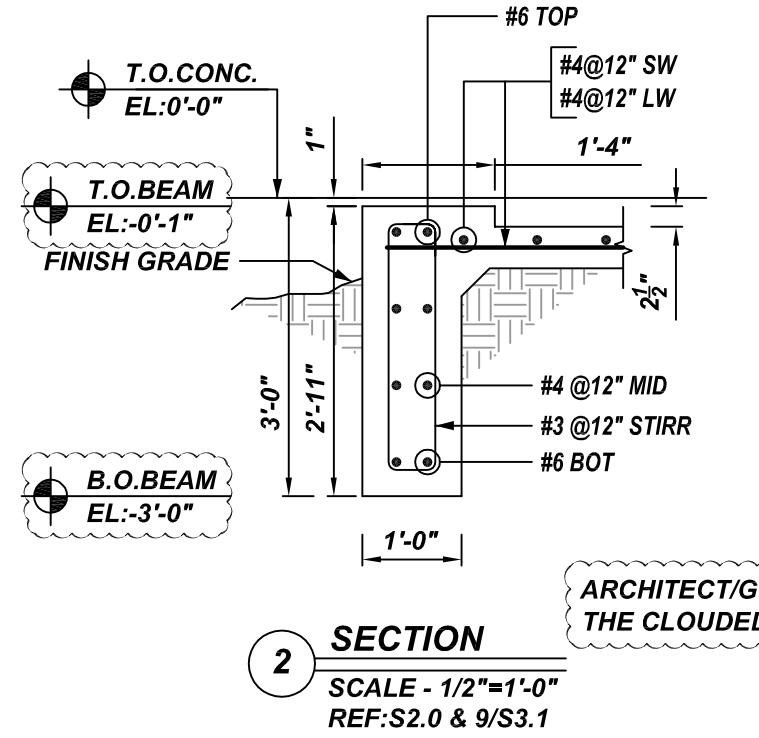
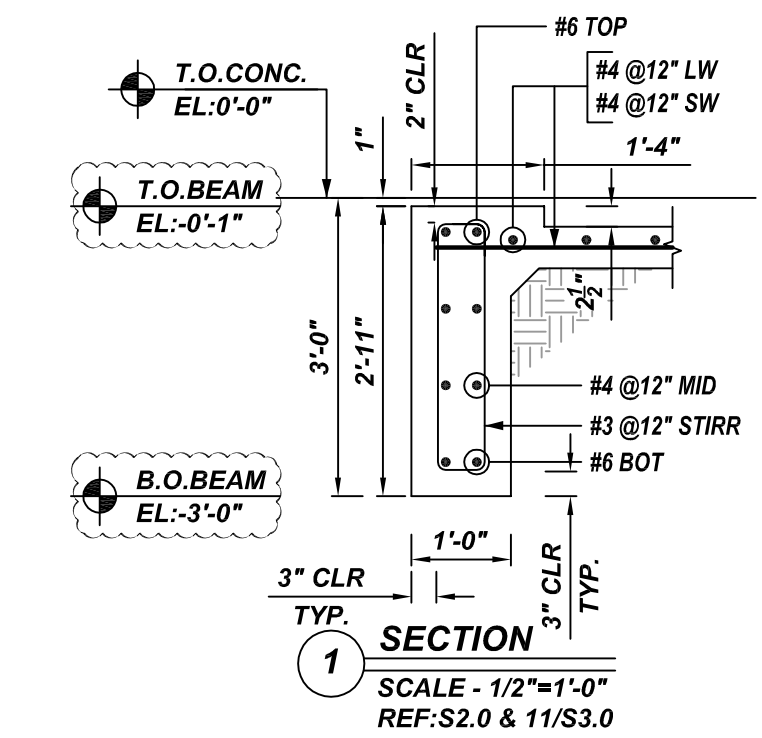
FOUNDATION REINFORCEMENT DETAILS
 SCALE - 1/3"=1'-0"
 REF: S2.0

PROJECT:	LAZARUS BREWING COMPANY #2	SHT. NO.	01	OF	06
	LOCATION:		AUSTIN, TX		JOB NO.
CONTRACTOR:	JOHN KING CONSTRUCTION LTD	DWG NO.	R1.001		
INFORMATION THIS SHEET:	FOUNDATION REINFORCEMENT DETAILS				
SUBMITTALS	NO.	DATE	FOR	BY	
	0	09/28/21	FOR APPROVAL	BCS	
DWG INFO	BY	DATE	DRAWN	CHECKED	DESIGNED
	BCS	09/28/21			

These post-tension installation details are intended to be used in conjunction with the project plans and specifications as indicated on the Licensed Professional Engineer's stamp. The drawings are intended to relate information contained in the contract documents to the profile of the prestressing system and to show certain details of the SUNCOAST post-tensioning system. No warranty, expressed or implied, is made by the engineer as to the adequacy of the information or design shown herein. The engineer's liability is limited to the scope of the work shown on this drawing.

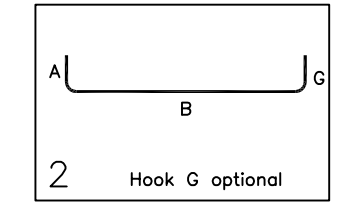


SLAB ON GRADE SHORT WAY REINFORCEMENT DETAILS
SCALE - 1/3"=1'-0"
REF: S2.0



Release Number: R1.002

Bar Mark	Qty	Size	Total Length	Type	X'	Y'	Z'	U'	V'	W'	X'	Y'	Z'	U'	V'	W'
4A05	1	#4	14'-11"	2	0'-8"	13'-5"										
4A06	1	#4	10'-7"	2	0'-8"	9'-11"										



NOTES

- TYPICAL CLEARANCES ARE AS FOLLOWS: FOLLOW MINIMUM COVER IN ACCORDANCE WITH
- ALL DIMENSIONS ARE FEET AND INCHES U.N.O
- A/E PLEASE VERIFY THE CLOUDED ITEMS

LAP SCHEDULE

SIZE	24 @ LAP
#3	9"
#4	12"
#5	15"
#6	18"
#7	21"
#8	24"
#9	28"
#10	31"

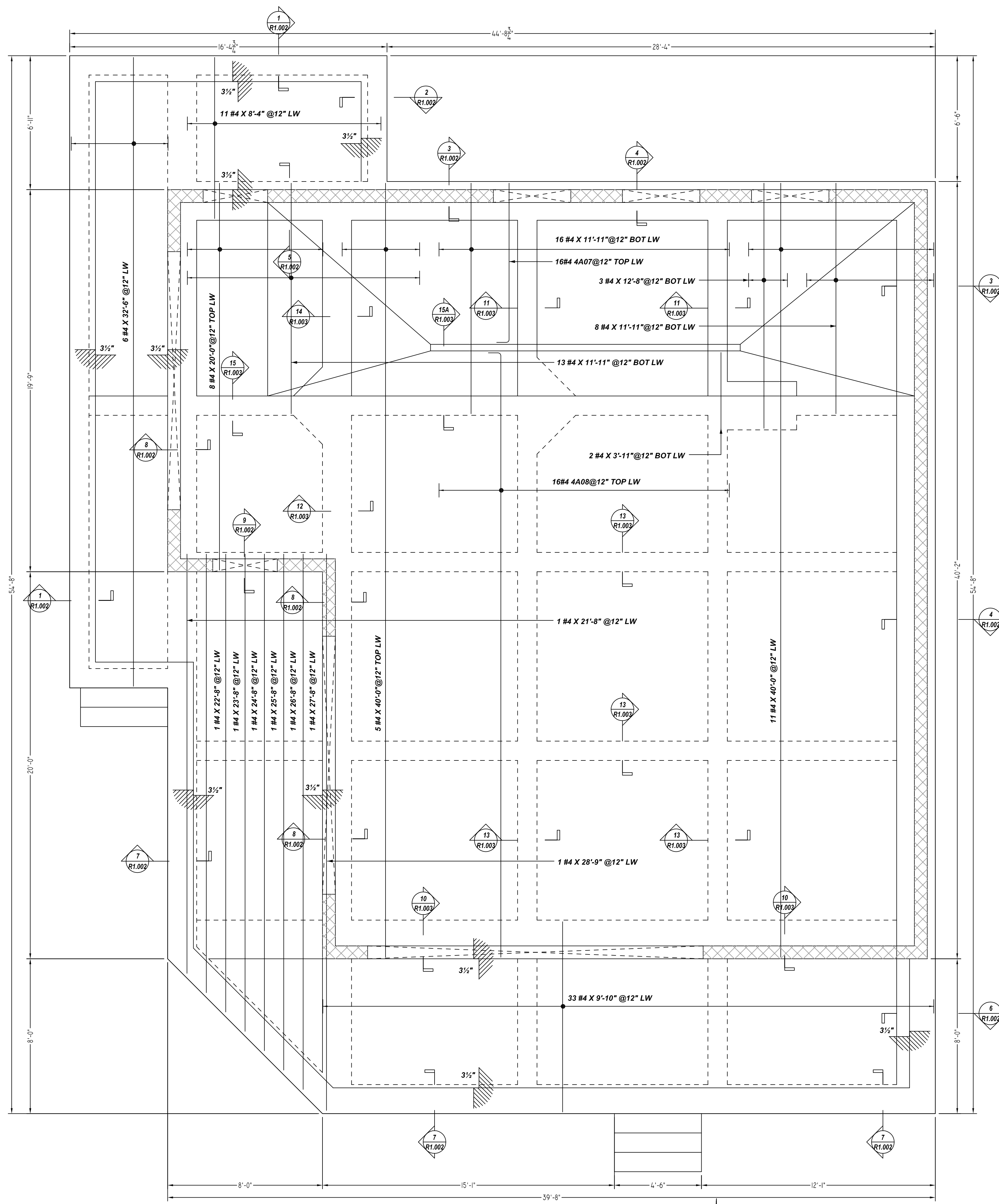
SUBMITTALS		FOR APPROVAL	
NO.	DATE	NO.	DATE
0	09/28/21		

DWG INFO	BY	DATE
DRAWN	BCS	09/28/21
CHECKED		
DESIGNED		
APPROVED		

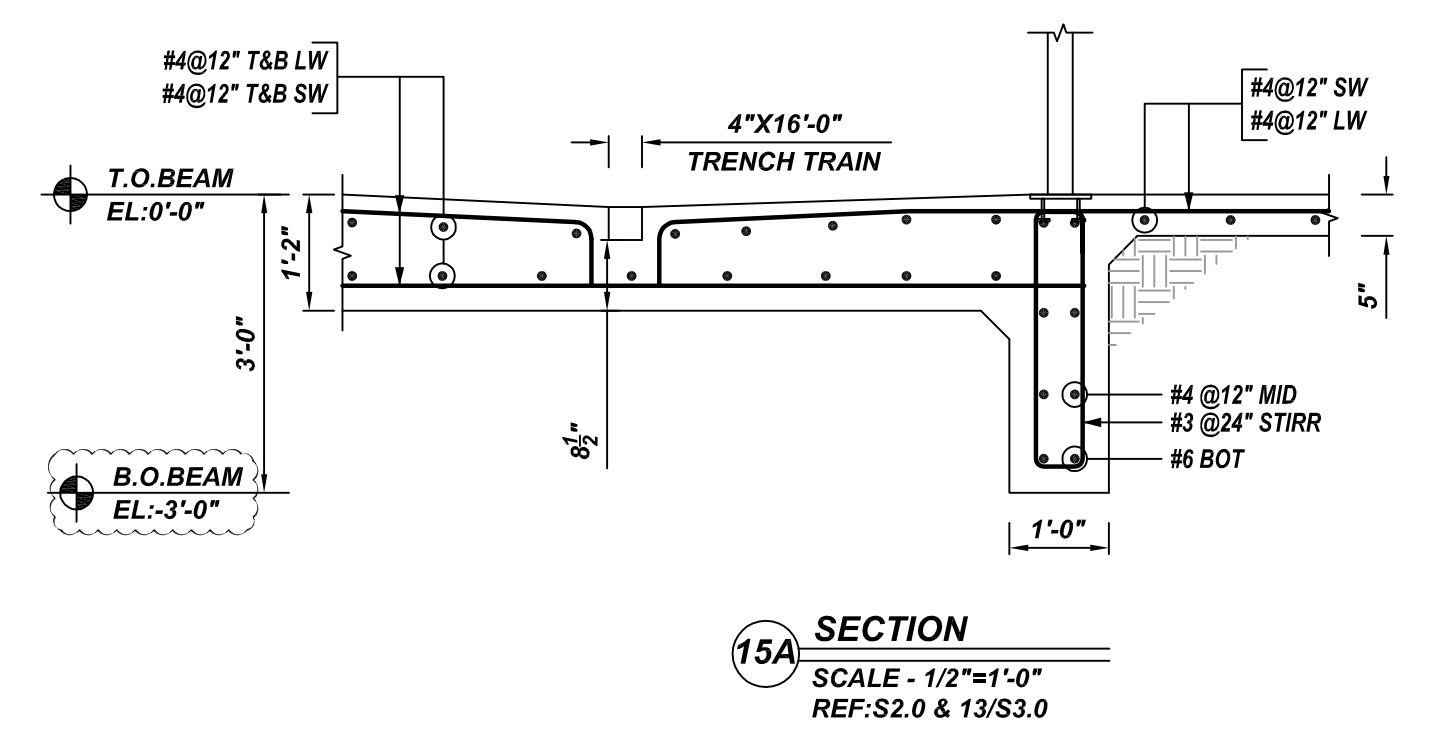
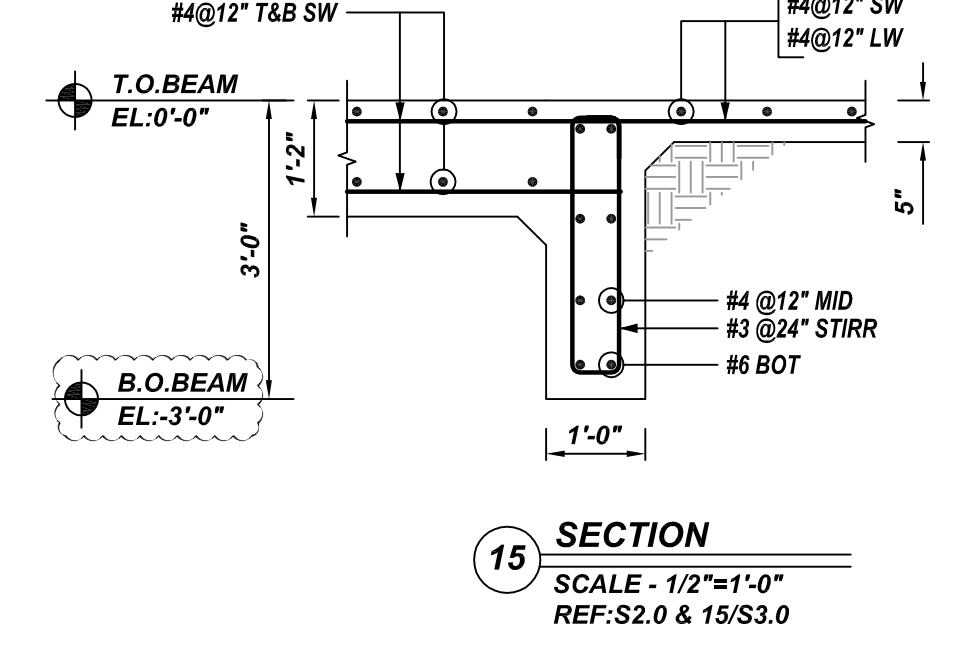
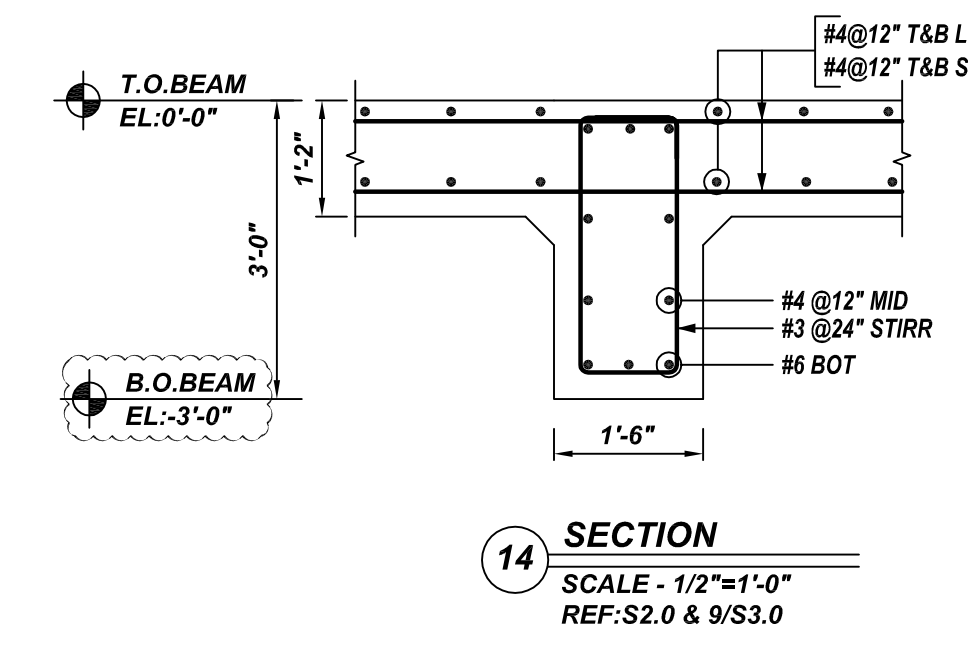
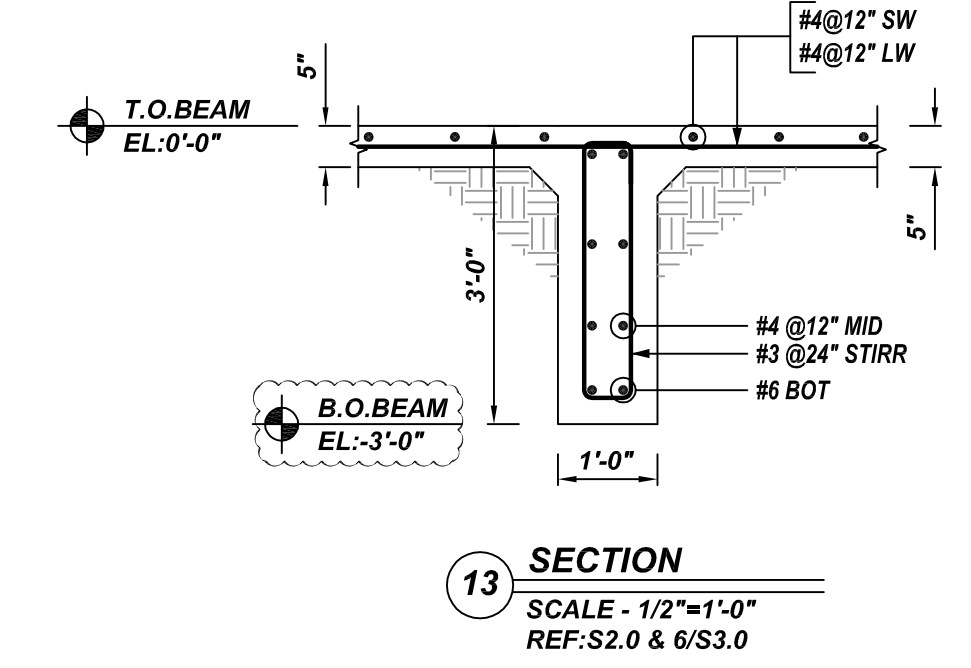
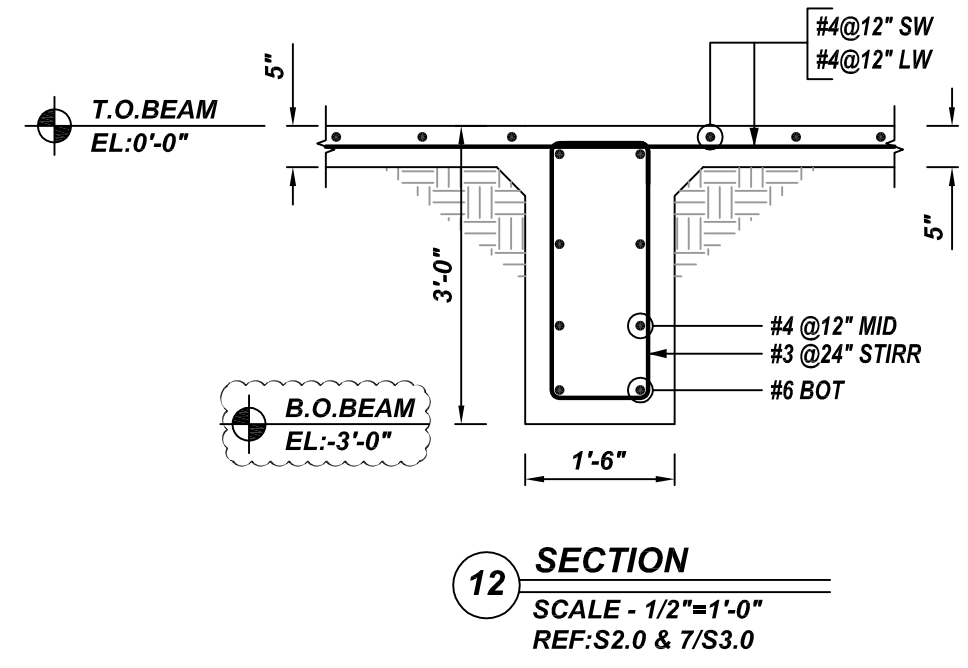
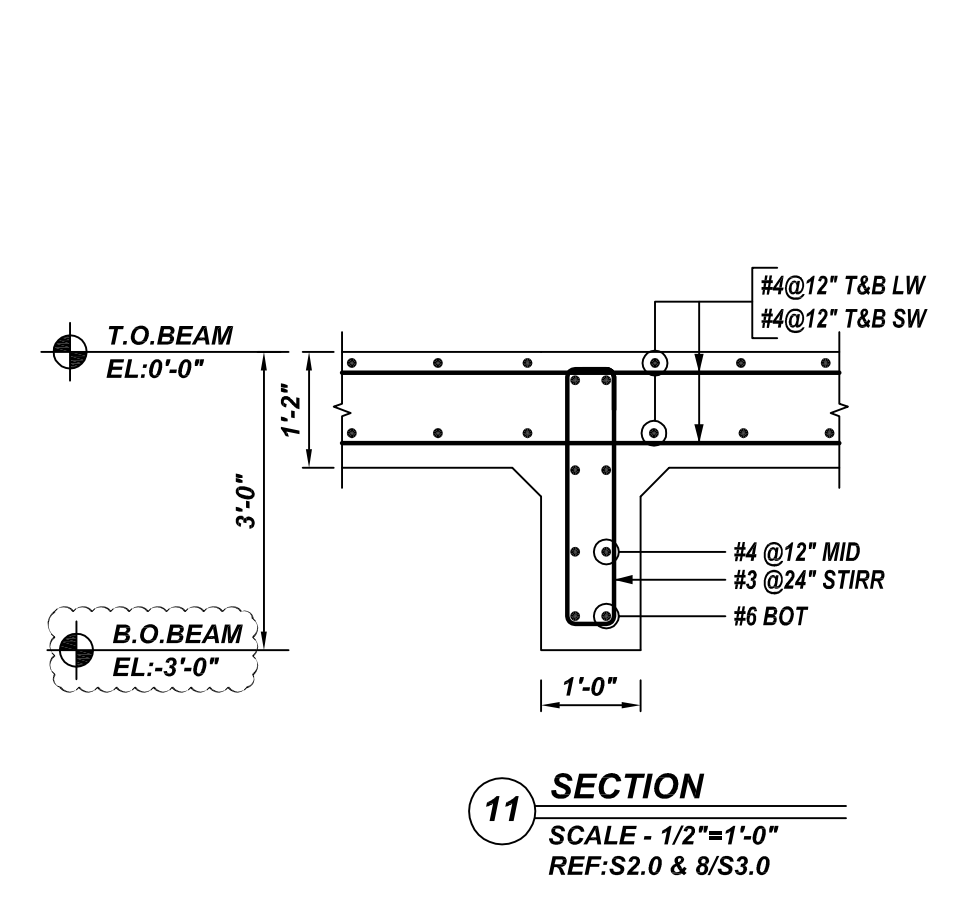
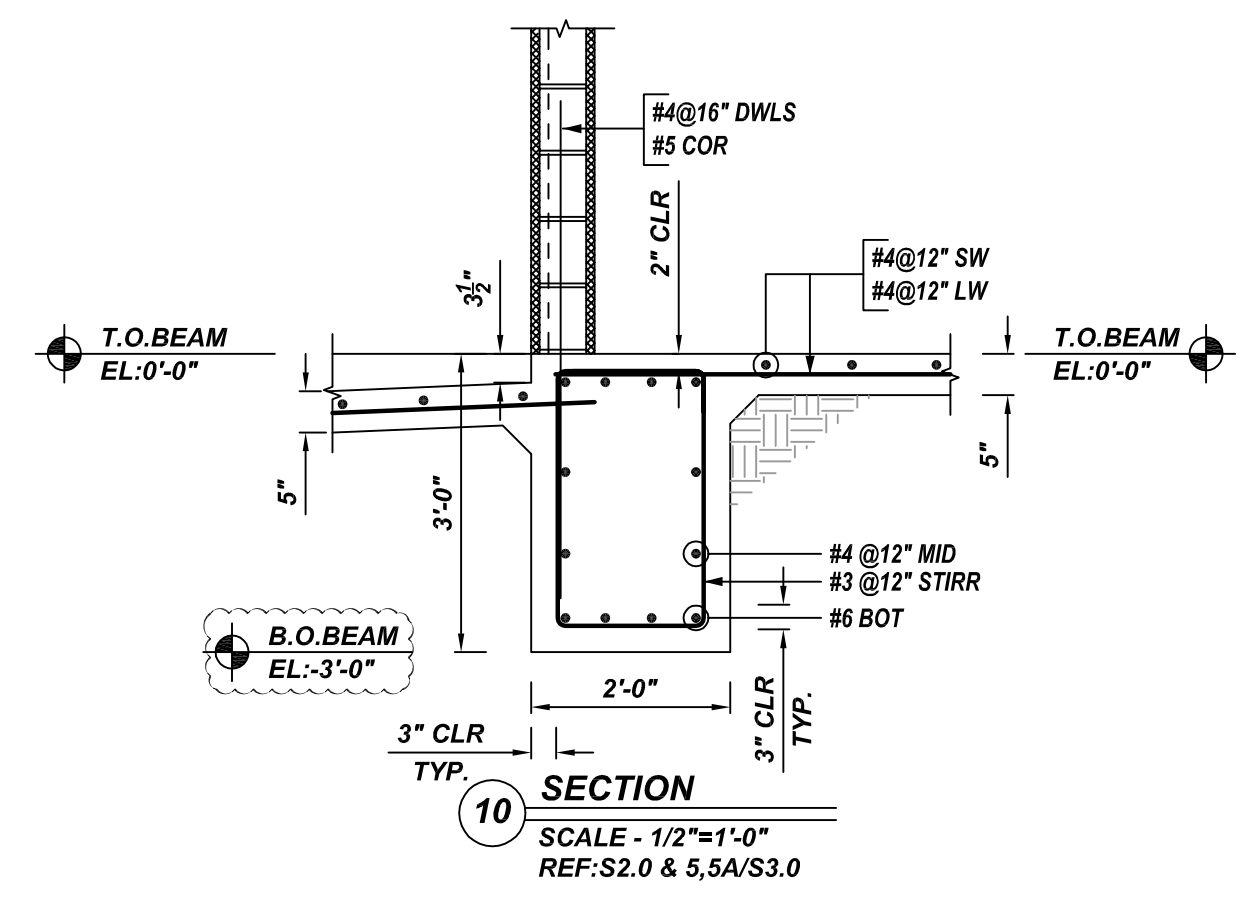
These post-tension installation details are provided for information only and are not to be used in conjunction with the project plans and specifications without the written approval of the Licensed Professional Engineer. The drawings are intended to provide information to the contractor and are not to be used as a substitute for the contract documents. The contractor is responsible for verifying the details of the prestressing system and to show certain details of the SUNCOAST products. SUNCOAST warrants, expressed or implied, as to the adequacy of the structural design and is not responsible for any errors or omissions in this document. Written approval is required for any changes to these details.

PROJECT: LAZARUS BREWING COMPANY #2
 LOCATION: AUSTIN, TX
 CONTRACTOR: JOHN KING CONSTRUCTION LTD
 INFORMATION THIS SHEET: SLAB ON GRADE REINFORCEMENT DETAILS

SHT. NO. 02 OF 06
 JOB NO. 002-012743
 DWG NO. R1.002

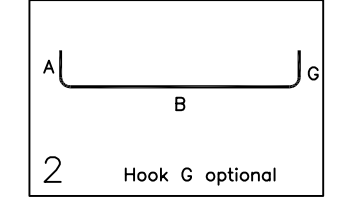


SLAB ON GRADE LONG WAY REINFORCEMENT DETAILS
 SCALE - 1/3"=1'-0"
 REF: S2.0



Release Number: R1.003

Bar Mark	Qty	Size	Total Length	Type	X	Y	Z	W	V	U	T	S	R	Q	P	O	N	M	L	K	J	I	H	G	F	E	D	C	B	A
4A07	16	#4	8'-11"	2	0'-8"	8'-3"																								
4A08	16	#4	31'-11"	2	0'-8"	31'-3"																								



A/E PLEASE VERIFY LAP SCHEDULE FOLLOWED

LAP SCHEDULE

SIZE	24 Ø LAP
#3	9"
#4	12"
#5	15"
#6	18"
#7	21"
#8	24"
#9	28"
#10	31"

NOTES

- TYPICAL CLEARANCES ARE AS FOLLOWS:
 FOLLOW MINIMUM COVER IN ACCORDANCE WITH
GRADE BEAM **SLAB ON GRADE**
 TOP = 2" TOP = 2 1/4"
 SIDE = 3" SIDE = 1"
 BOTTOM = 3"
- ALL DIMENSIONS ARE FEET AND INCHES U.N.O
- A/E PLEASE VERIFY THE CLOUDED ITEMS

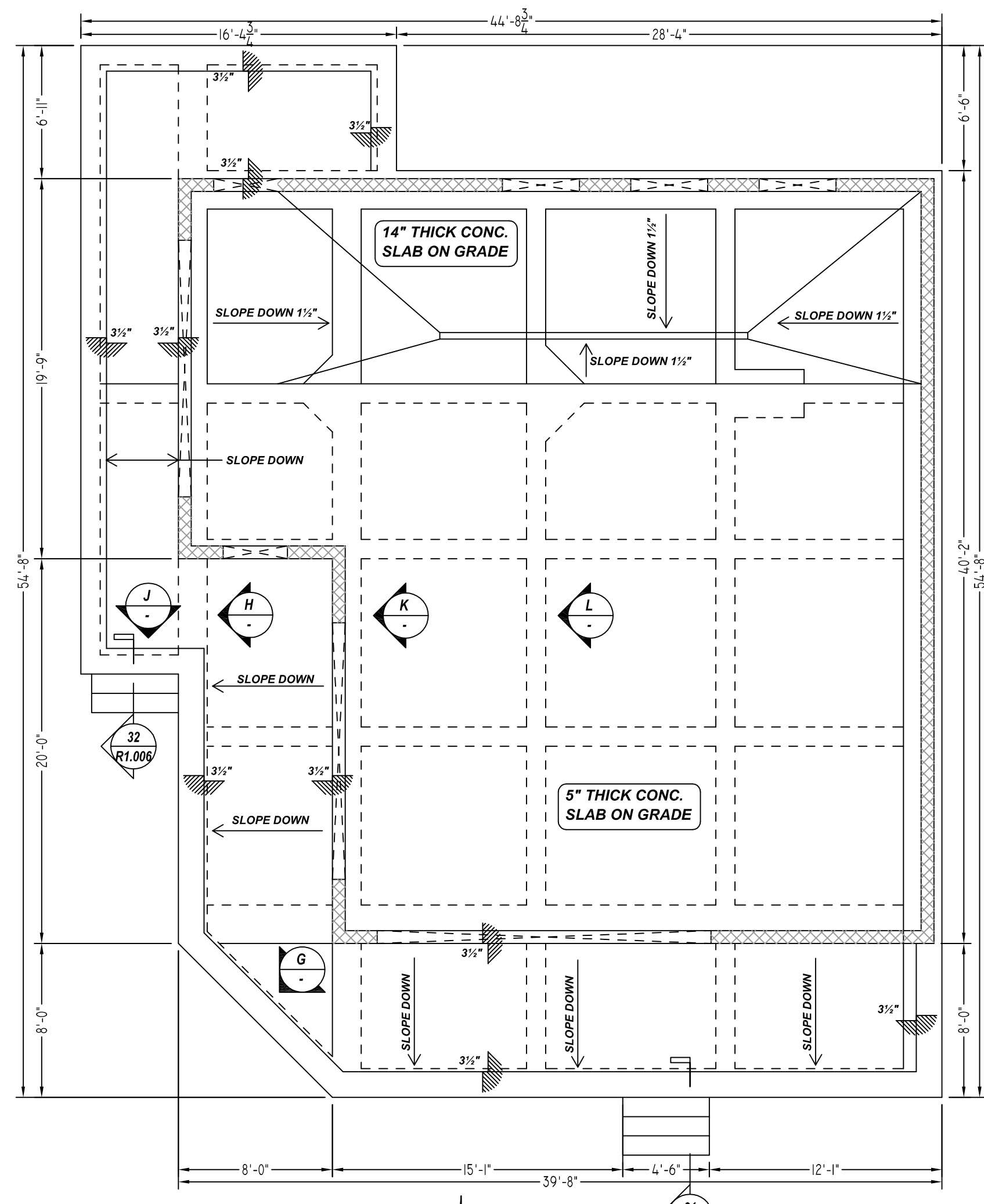
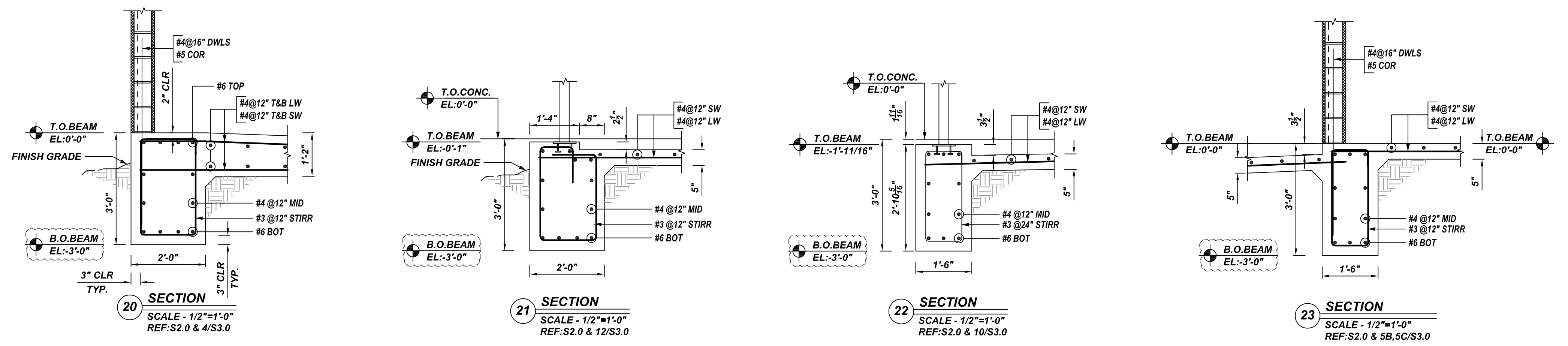
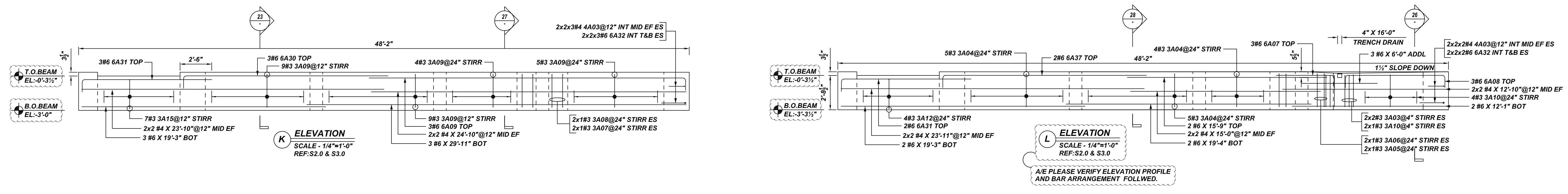
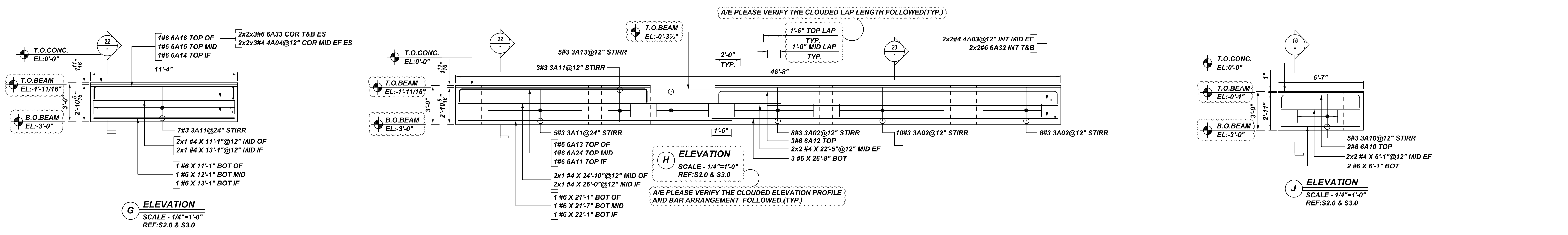
SUBMITTALS	NO.	DATE	FOR APPROVAL	BY
	0	09/28/21	FOR APPROVAL	BCS
DWG INFO	DATE	09/28/21		
	DRAWN	BCS		
	CHECKED			
	DESIGNED			
PROJECT: LAZARUS BREWING COMPANY #2 LOCATION: AUSTIN, TX CONTRACTOR: JOHN KING CONSTRUCTION LTD INFORMATION THIS SHEET: SLAB ON GRADE REINFORCEMENT DETAILS				
SHT. NO. 03 OF 06				
JOB NO. 002-012743				
DWG NO. R1.003				

These post-tension installation drawings are to be used in conjunction with the project plans and specifications as indicated on the Licensed Professional Engineer's seal. The drawings are intended to relate information contained in the contract documents to the profile of the prestressing system and to show certain details of the SUNCOAST products. SUNCOAST does not warrant, express or implied, as to the adequacy of the structural design or to the accuracy of the information submitted by the contractor.

SUBMITTALS		NO.	DATE	BY	FOR
		0	09/28/21	BCS	FOR APPROVAL

DWG INFO	BY	DATE	FOR
DRAWN	BCS	09/28/21	
CHECKED			
DESIGNED			
APPROVED			

These post-tension installation drawings are to be used in conjunction with the project plans and specifications as indicated on the Licensed Professional Engineer's seal. The drawings are intended to relate information contained in the contract documents to the field of construction. The contractor is responsible for verifying the profile of the prestressing system and to show certain portions of the SUNCOAST products. SUNCOAST warrants, expressed or implied, as to the adequacy of the design of the product. It is the contractor's responsibility to verify the accuracy of this information before submitting.



A/E PLEASE VERIFY LAP SCHEDULE FOLLOWED

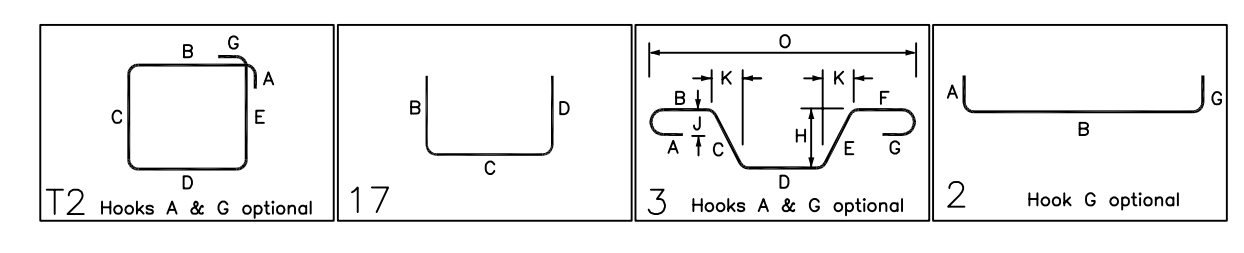
SIZE	24 Ø LAP
#3	9"
#4	12"
#5	15"
#6	18"
#7	21"
#8	24"
#9	28"
#10	31"

NOTES

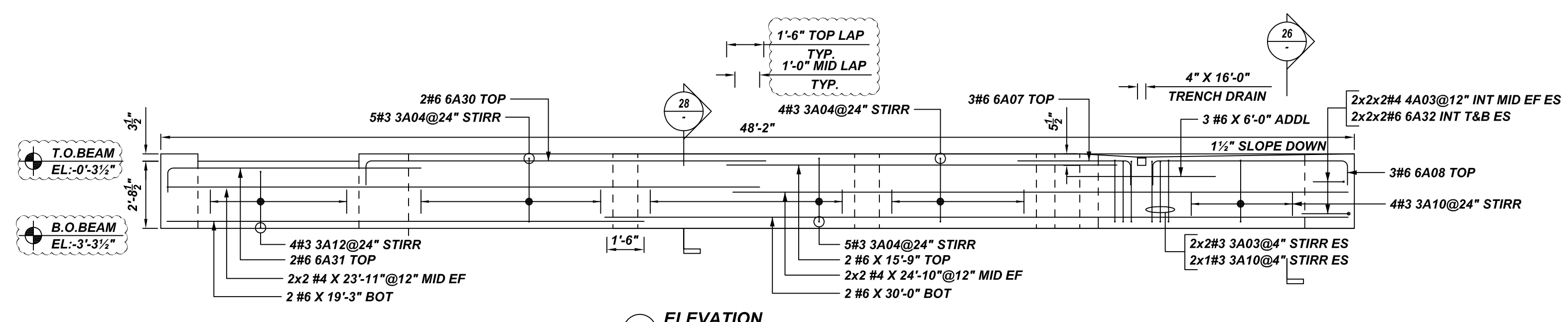
- TYPICAL CLEARANCES ARE AS FOLLOWS:
FOLLOW MINIMUM COVER IN ACCORDANCE WITH
GRADE BEAM TOP = 2"
SIDE = 3"
BOTTOM = 3"
SLAB ON GRADE TOP = 2"
SIDE = 1"
- ALL DIMENSIONS ARE FEET AND INCHES U.O.
- A/E PLEASE VERIFY THE CLOUDED ITEMS

Release Number: R1.005

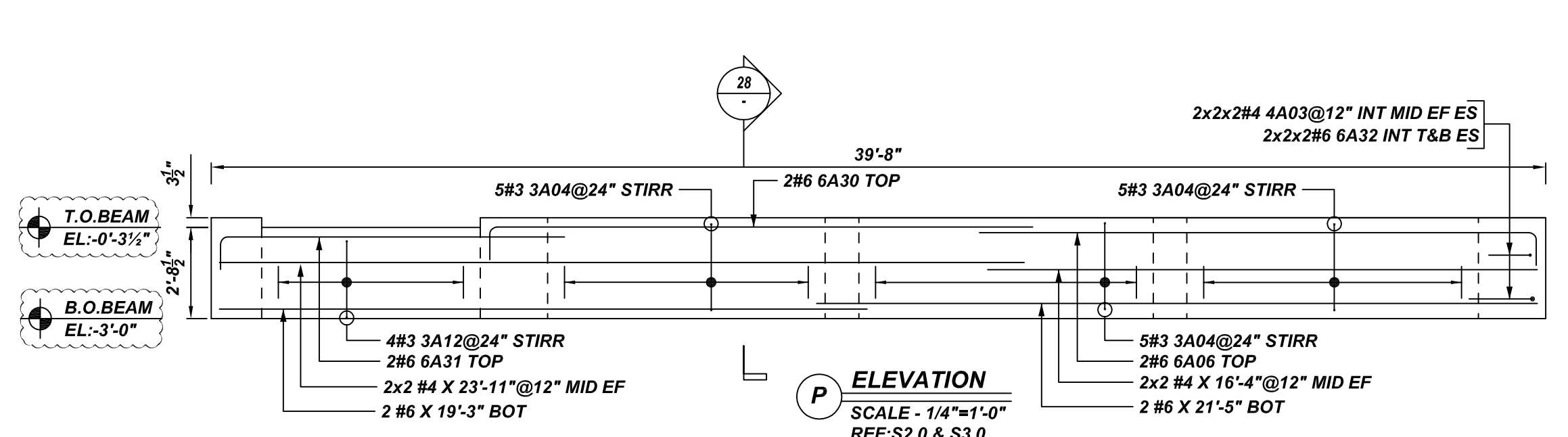
Bar Mark	Qty	Size	Total Length	Type	X'	Y'	Z'	W'	V'	U'	T'	S'	R'	Q'	P'	O'	N'	M'	L'	K'	J'	I'	H'	G'	F'	E'	D'	C'	B'	A'				
3A02	24	#3	8'-10"	T2	0'-4"	1'-6"	2'-7"	1'-6"	2'-7"	0'-4"																								
3A03	4	#3	8'-7"	T2	0'-4"	0'-6"	2'-5"	0'-6"	2'-5"	0'-4"																								
3A04	14	#3	8'-10"	T2	0'-4"	0'-6"	2'-7"	0'-6"	2'-7"	0'-4"																								
3A05	14	#3	7'-2"	T2	0'-4"	0'-10"	2'-7"	0'-10"	2'-7"	0'-4"																								
3A06	2	#3	8'-2"	T2	0'-4"	1'-10"	2'-7"	1'-10"	2'-7"	0'-4"																								
3A07	2	#3	10'-2"	T2	0'-4"	2'-4"	2'-7"	2'-4"	2'-7"	0'-4"																								
3A08	2	#3	8'-1"	T2	0'-4"	1'-4"	2'-7"	1'-4"	2'-7"	0'-4"																								
3A09	27	#3	7'-10"	T2	0'-4"	1'-0"	2'-7"	1'-0"	2'-7"	0'-4"																								
3A10	11	#3	6'-8"	T2	0'-4"	0'-6"	2'-6"	0'-6"	2'-6"	0'-4"																								
3A11	15	#3	7'-8"	T2	0'-4"	1'-0"	2'-5"	1'-0"	2'-5"	0'-4"																								
3A12	14	#3	8'-3"	T2	0'-4"	0'-6"	2'-5"	0'-6"	2'-5"	0'-4"																								
3A13	3	#3	8'-3"	T2	0'-4"	1'-5"	2'-3"	1'-5"	2'-3"	0'-4"																								
3A15	7	#3	7'-3"	T2	0'-4"	1'-0"	2'-3"	1'-0"	2'-3"	0'-4"																								
4A03	32	#4	2'-6"	T1	1'-3"	1'-3"																												
4A04	12	#4	2'-5"	T1	1'-3"	1'-2"																												
6A07	3	#6	5'-7"	T1	1'-0"	4'-7"																												
6A08	3	#6	9'-11"	T1	1'-0"	7'-11"																												
6A09	3	#6	26'-0"	T1	1'-0"	25'-0"																												
6A10	2	#6	8'-11"	T1	1'-0"	6'-11"																												
6A11	1	#6	16'-7"	T1	1'-0"	15'-7"																												
6A12	3	#6	28'-2"	T1	1'-0"	26'-2"																												
6A13	1	#6	15'-7"	T1	1'-0"	14'-7"																												
6A14	1	#6	15'-11"	T1	1'-0"	15'-11"																												
6A15	1	#6	14'-11"	T1	1'-0"	12'-11"																												
6A16	1	#6	13'-11"	T1	1'-0"	11'-11"																												
6A24	1	#6	16'-2"	T1	1'-0"	15'-2"																												
6A30	3	#6	17'-2"	T1	1'-0"	16'-2"																												
6A31	1	#6	11'-5"	T1	1'-0"	10'-5"																												
6A32	28	#6	3'-10"	T1	1'-11"	1'-11"																												
6A33	12	#6	3'-10"	T1	1'-11"	1'-11"																												
6A37	2	#6	17'-11"	T1	1'-0"	16'-11"																												



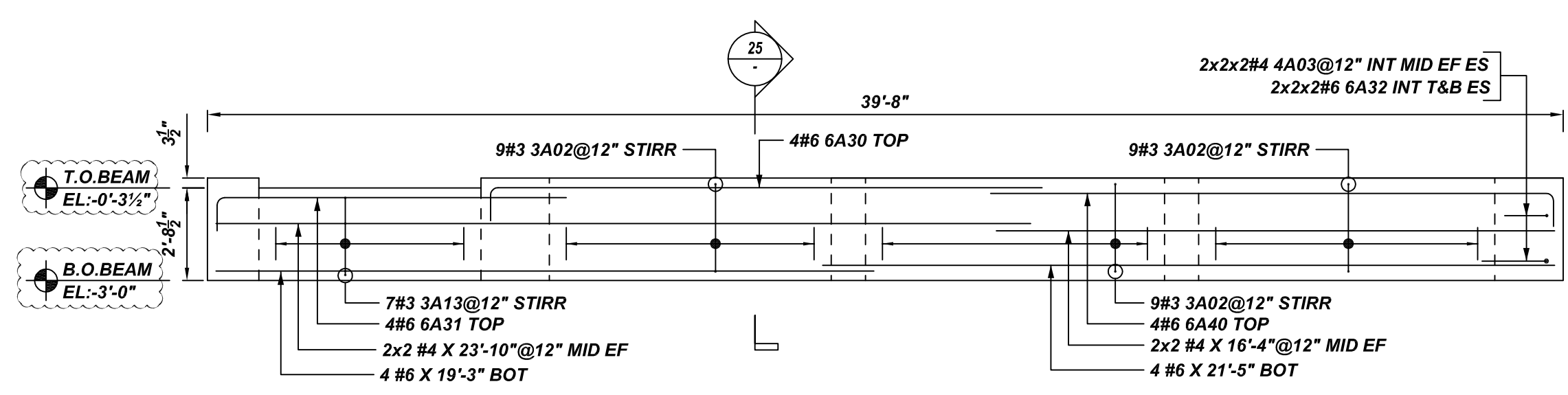
PROJECT: LAZARUS BREWING COMPANY #2
 LOCATION: AUSTIN, TX
 CONTRACTOR: JOHN KING CONSTRUCTION LTD
 INFORMATION THIS SHEET: GRADE BEAM REINFORCEMENT DETAILS
 SHT. NO. 05 OF 06
 JOB NO. 002-012743
 DWG NO. R1.005



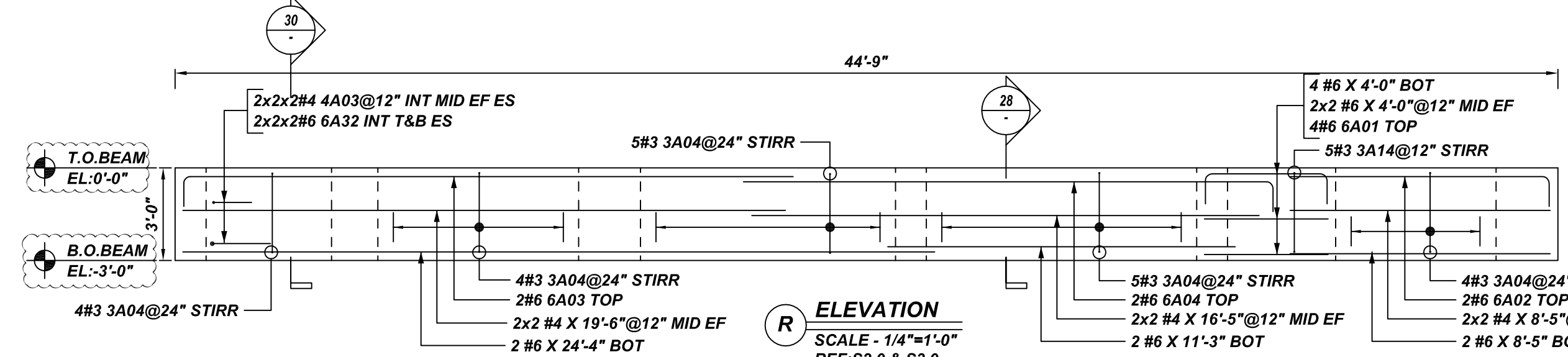
M ELEVATION
SCALE - 1/4"=1'-0"
REF: S2.0 & S3.0



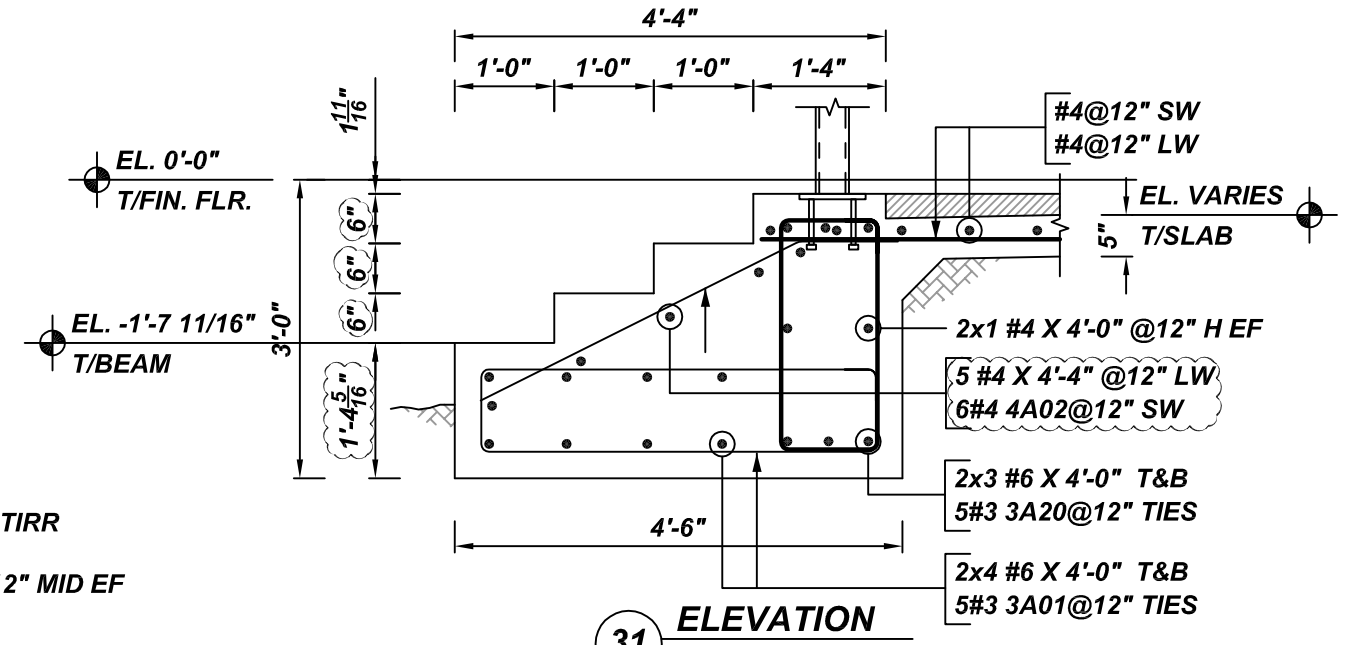
P ELEVATION
SCALE - 1/4"=1'-0"
REF: S2.0 & S3.0



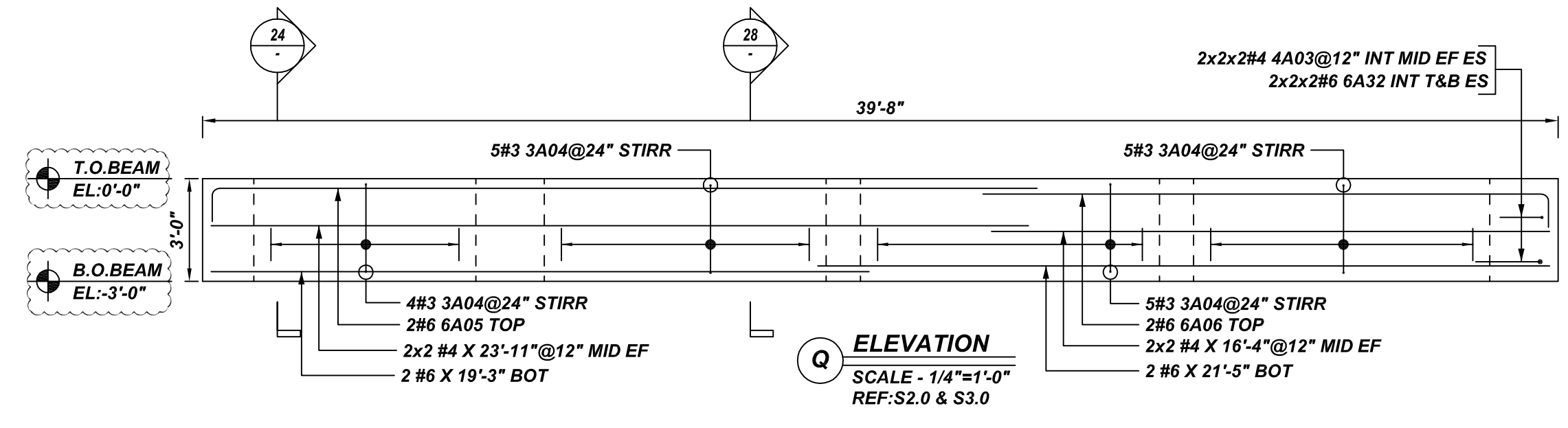
N ELEVATION
SCALE - 1/4"=1'-0"
REF: S2.0 & S3.0



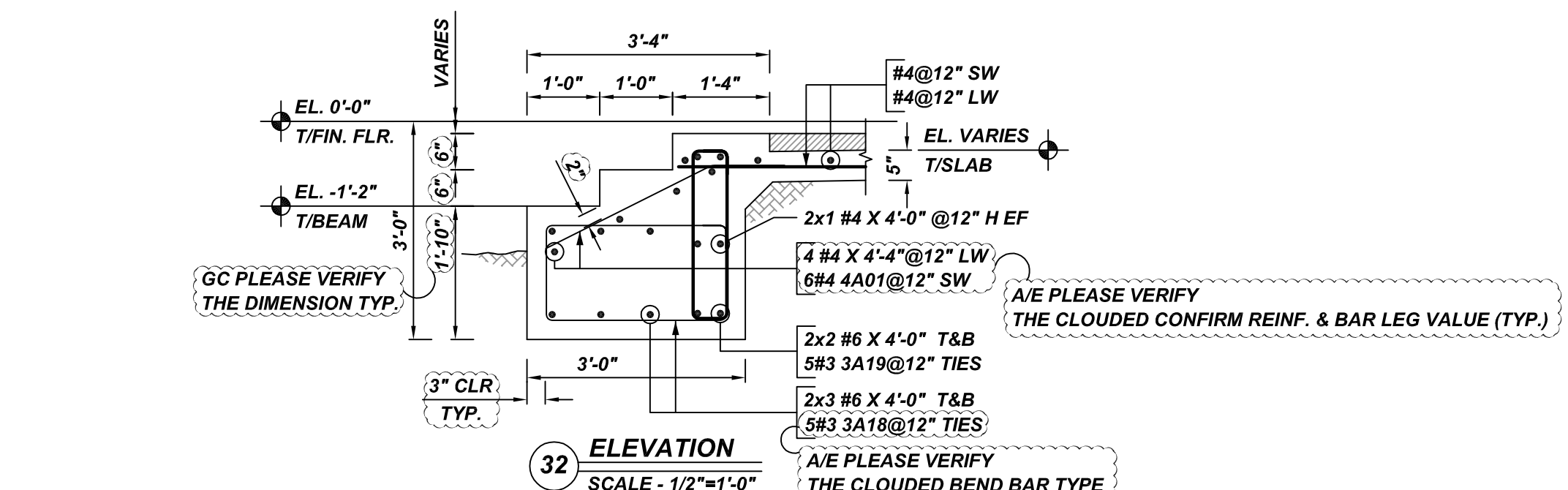
R ELEVATION
SCALE - 1/4"=1'-0"
REF: S2.0 & S3.0



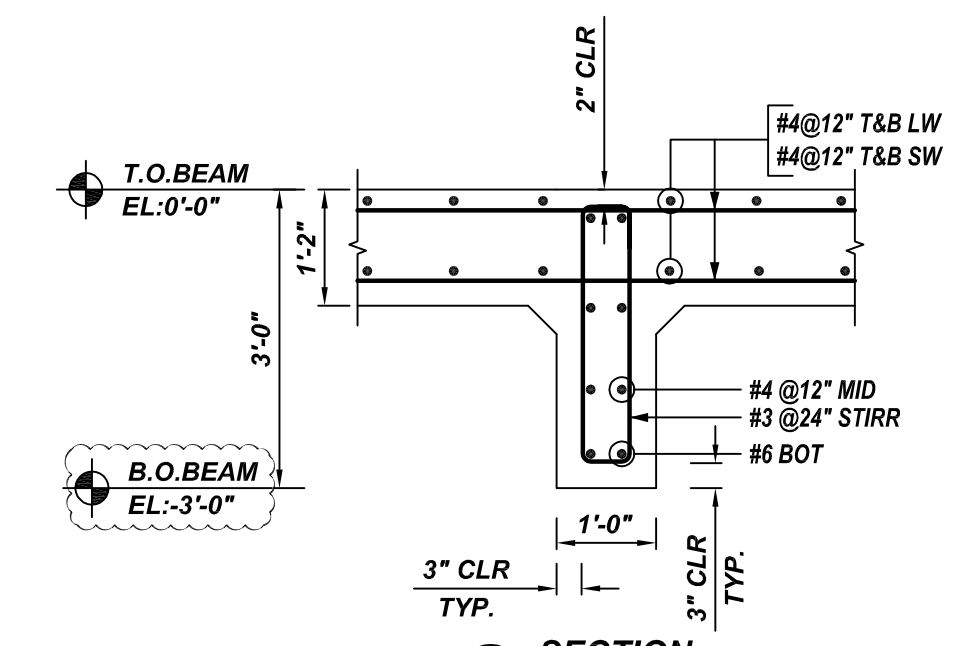
31 ELEVATION
SCALE - 1/2"=1'-0"
REF: S3.1



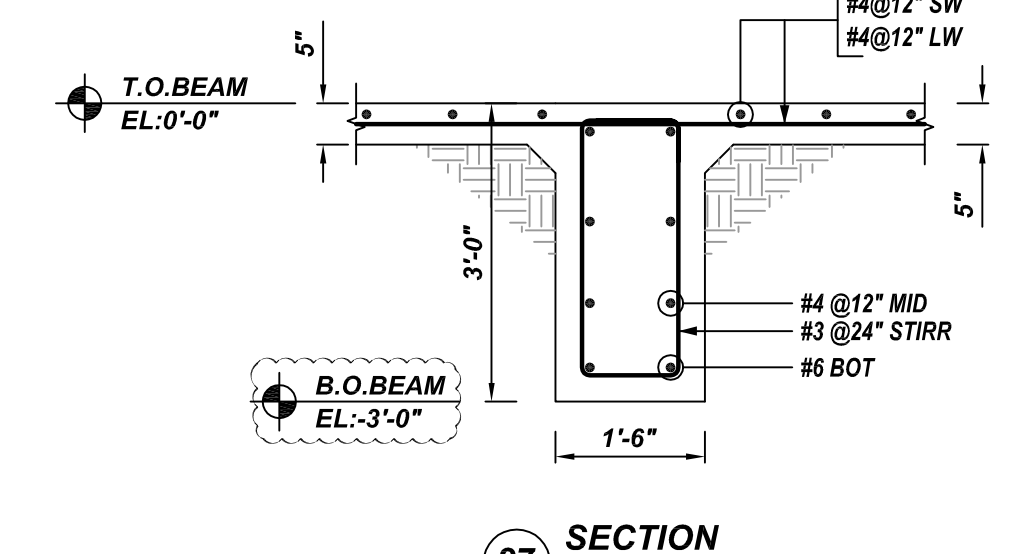
Q ELEVATION
SCALE - 1/4"=1'-0"
REF: S2.0 & S3.0



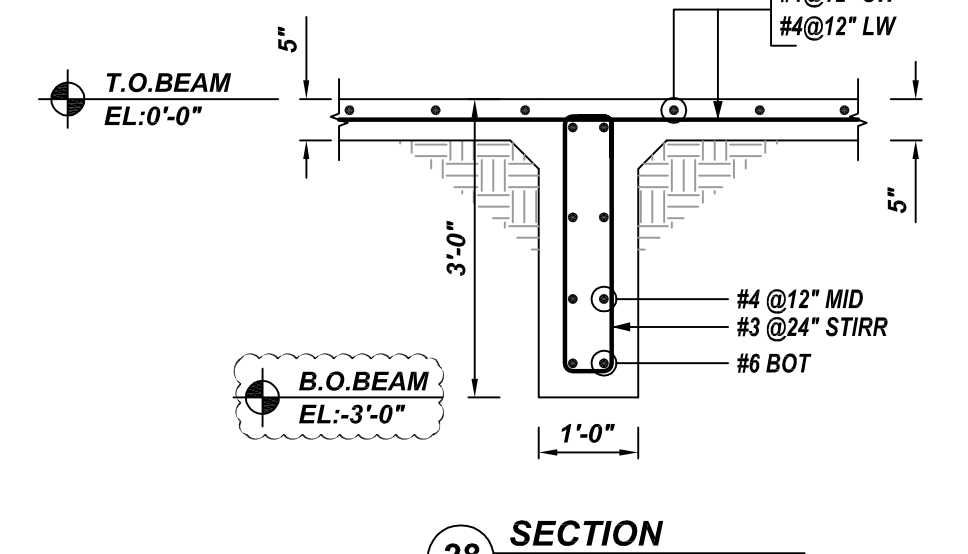
32 ELEVATION
SCALE - 1/2"=1'-0"
REF: S3.1



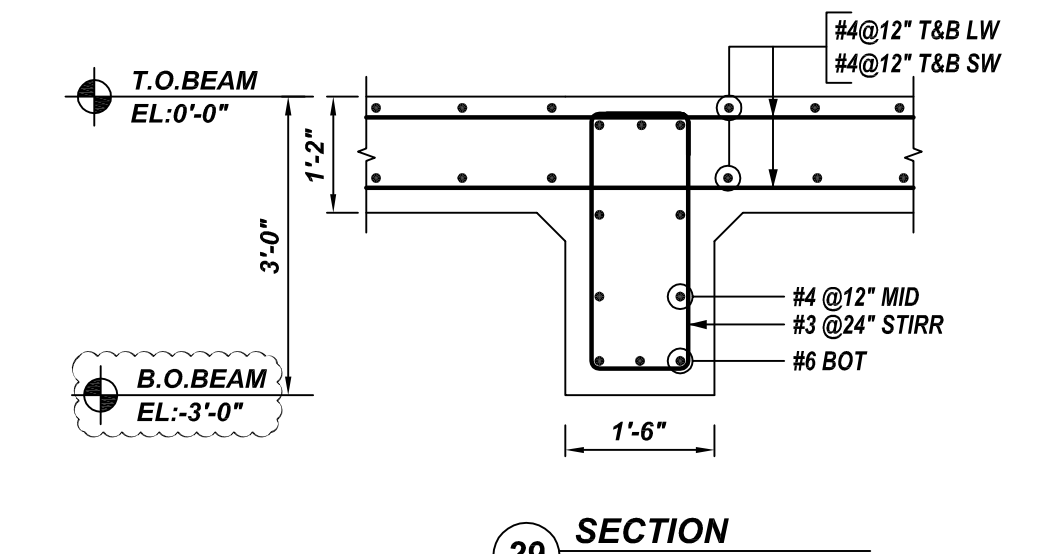
26 SECTION
SCALE - 1/2"=1'-0"
REF: S2.0 & S3.0



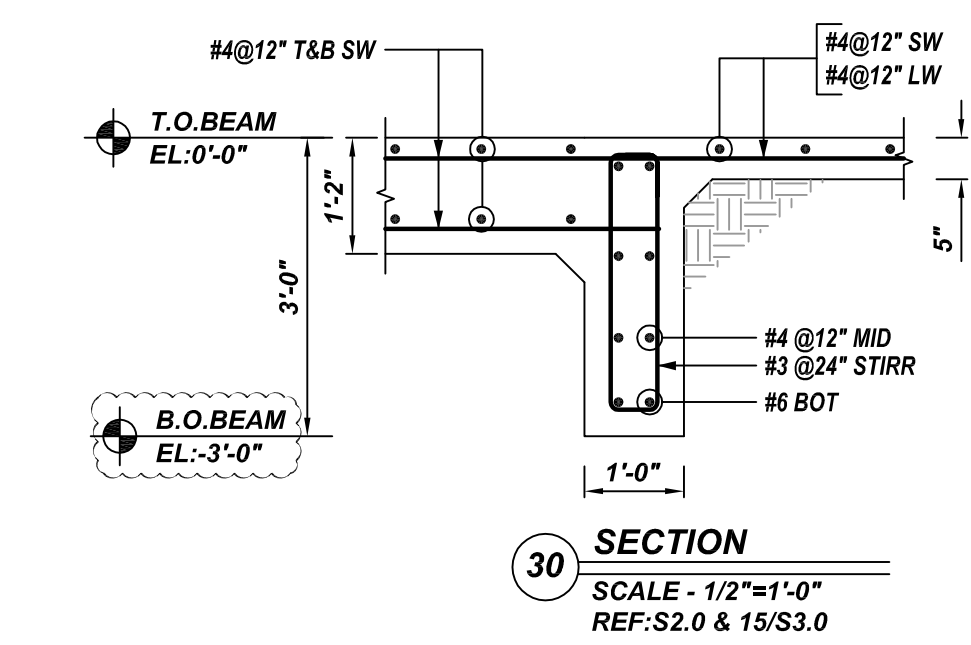
27 SECTION
SCALE - 1/2"=1'-0"
REF: S2.0 & S3.0



28 SECTION
SCALE - 1/2"=1'-0"
REF: S2.0 & S3.0



29 SECTION
SCALE - 1/2"=1'-0"
REF: S2.0 & S3.0



30 SECTION
SCALE - 1/2"=1'-0"
REF: S2.0 & S3.0

NOTES
1. TYPICAL CLEARANCES ARE AS FOLLOWS:
FOLLOW MINIMUM COVER IN ACCORDANCE WITH
GRADE BEAM SLAB ON GRADE
TOP = 2"
SIDE = 3"
BOTTOM = 3"
2. ALL DIMENSIONS ARE FEET AND INCHES U.N.O.
3. A/E PLEASE VERIFY THE CLOUDED ITEMS

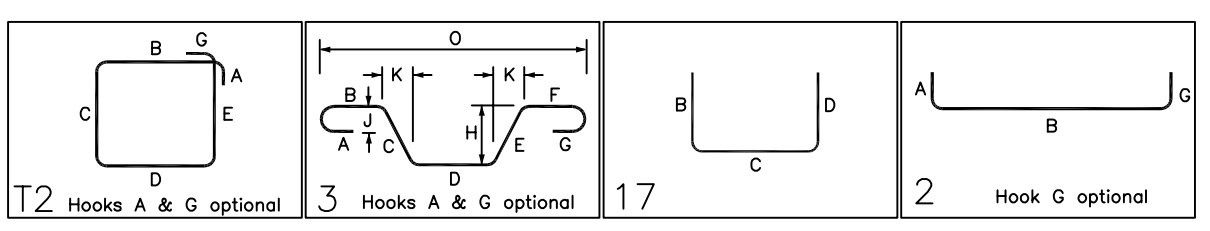
A/E PLEASE VERIFY LAP SCHEDULE FOLLOWED

LAP SCHEDULE

SIZE	24 Ø LAP
#3	9"
#4	12"
#5	15"
#6	18"
#7	21"
#8	24"
#9	28"
#10	31"

Release Number: R1.006

Bar Mark	Qty	Size	Total Length	Type	X	Y	Z	W	V	U	T	S	R	Q	P	O	N	M	L	K	J	I	H	G	F	E	D	C	B	A
3A01	5	#3	10'-4 1/2"	T2	0'-4"	4'-0"	0'-10 1/2"	4'-0"	0'-10 1/2"	0'-4"																				
3A02	27	#3	8'-10"	T2	0'-4"	1'-6"	2'-7"	1'-6"	2'-7"	0'-4"																				
3A03	4	#3	6'-7"	T2	0'-4"	0'-6"	2'-5 3/4"	0'-6"	2'-5 3/4"	0'-4"																				
3A04	70	#3	6'-10"	T2	0'-4"	0'-6"	2'-7"	0'-6"	2'-7"	0'-4"																				
3A10	6	#3	6'-8"	T2	0'-4"	0'-6"	2'-6"	0'-6"	2'-6"	0'-4"																				
3A12	8	#3	6'-5"	T2	0'-4"	0'-6"	2'-3 3/4"	0'-6"	2'-3 3/4"	0'-4"																				
3A13	7	#3	8'-5"	T2	0'-4"	1'-6"	2'-3 3/4"	1'-6"	2'-3 3/4"	0'-4"																				
3A14	5	#3	9'-10"	T2	0'-4"	2'-0"	2'-7"	2'-0"	2'-7"	0'-4"																				
3A18	5	#3	8'-4"	T2	0'-4"	2'-6"	1'-4"	2'-6"	1'-4"	0'-4"																				
3A19	5	#3	6'-4"	T2	0'-4"	0'-4"	2'-4"	0'-6"	2'-4"	0'-4"																				
3A20	5	#3	7'-4"	T2	0'-4"	1'-0"	2'-4"	1'-0"	2'-4"	0'-4"																				
4A01	6	#4	3'-6 3/4"	3	1'-0"	2'-6 3/4"				1'-2"	2'-3 3/4"	3'-3 3/4"																		
4A02	6	#4	4'-6 3/4"	3	1'-0"	3'-6 3/4"				1'-7 3/4"	3'-2 3/4"	4'-2 3/4"																		
4A03	40	#4	2'-6"	17	1'-3"	1'-3"																								
6A01	4	#6	6'-0"	2	1'-0"	4'-0"				1'-0"																				
6A02	2	#6	9'-5"	2	1'-0"	8'-5"																								
6A03	2	#6	20'-9"	2	1'-0"	19'-9"																								
6A04	2	#6	10'-2"	2	1'-0"	17'-2"																								
6A05	2	#6	25'-2"	2	1'-0"	24'-2"																								
6A06	4	#6	17'-7"	2	1'-0"	16'-7"																								
6A07	3	#6	5'-7"	2	1'-0"	4'-7"																								
6A08	3	#6	9'-11"	2	1'-0"	7'-11"				1'-0"																				
6A30	8	#6	17'-2"	2	1'-0"	16'-2"																								
6A31	8	#6	11'-5"	2	1'-0"	10'-5"																								
6A32	40	#6	3'-10"	17	1'-11"	1'-11"																								
6A40	4	#6	17'-6"	2	1'-0"	16'-6"																								



KEY PLAN
SCALE - 1/8"=1'-0"
REF: S2.0

