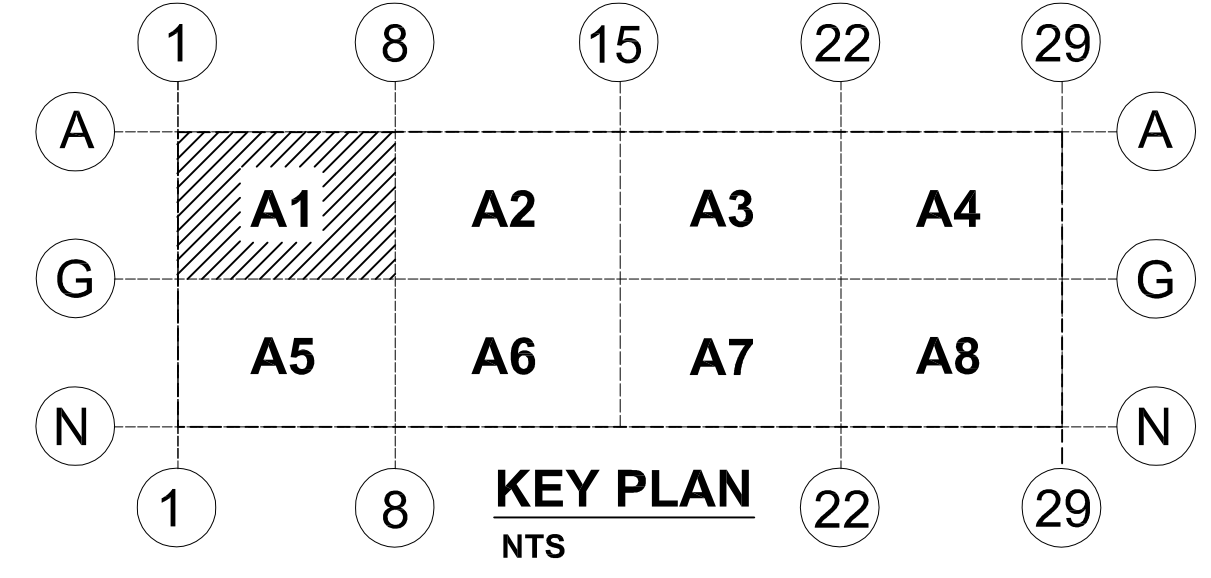


AREA #1 WALL PANEL KEY PLAN

REF-S1.1 (DT.08/02/21)
SCALE: 1/20" = 1'-0"



**ALL BARS IN THIS DRAWING
ASTM A615 GRADE 60
BLACK UNCOATED**

FOR APPROVAL

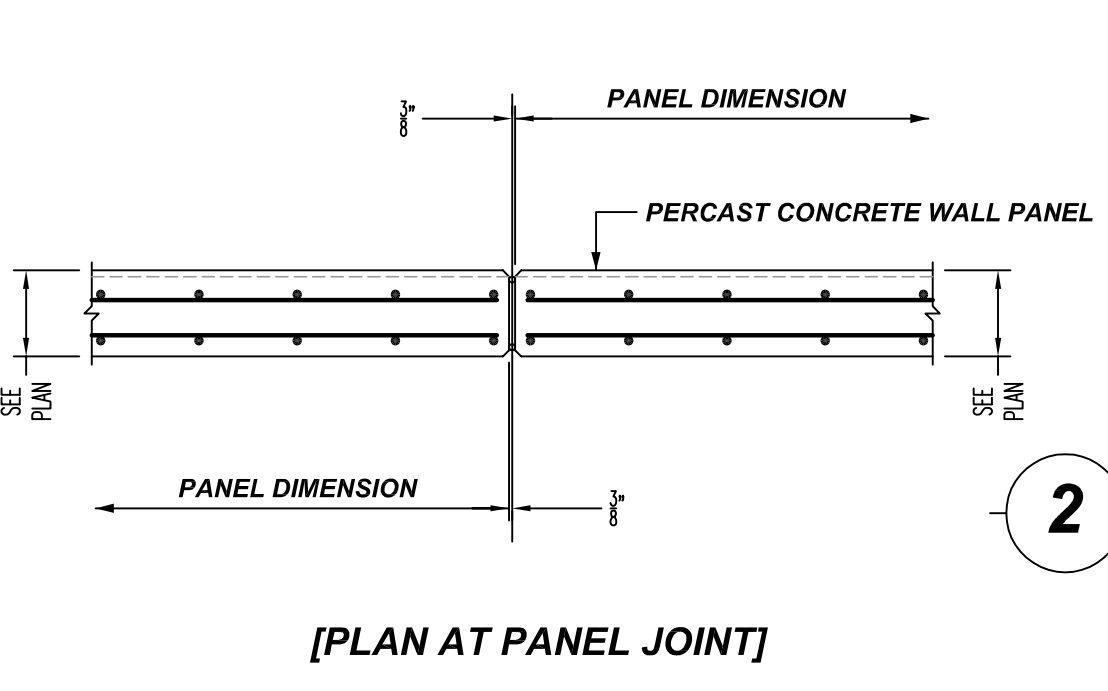
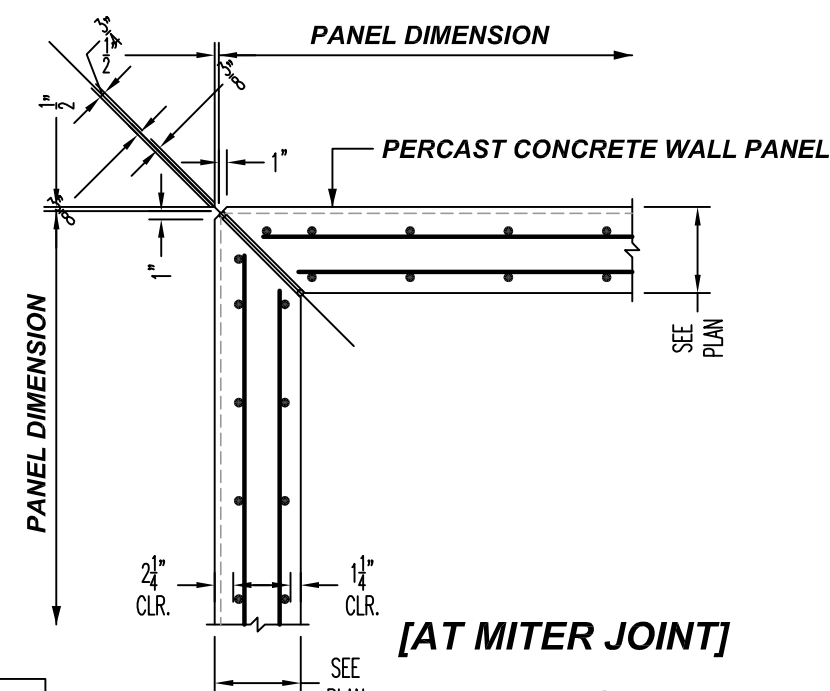
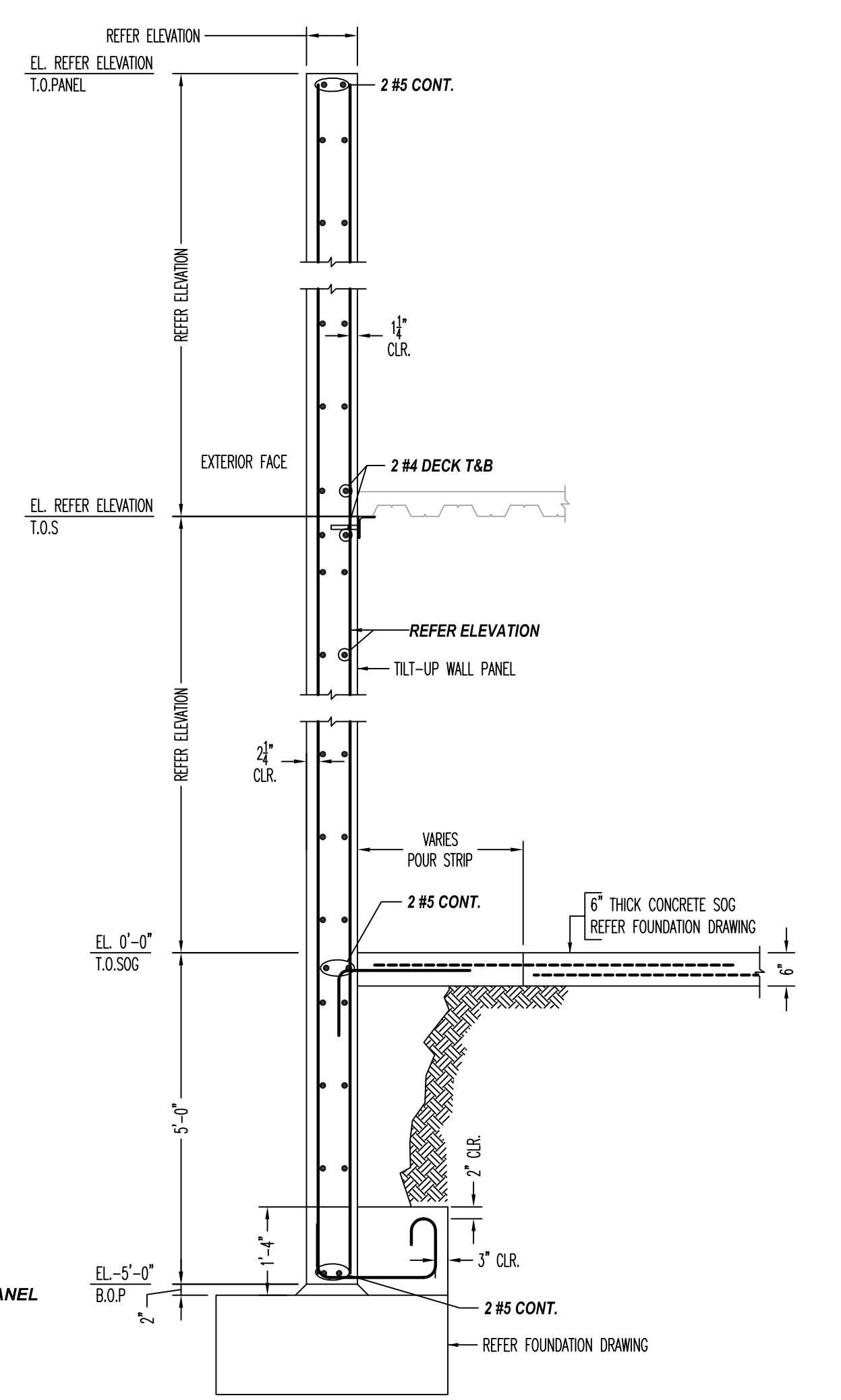
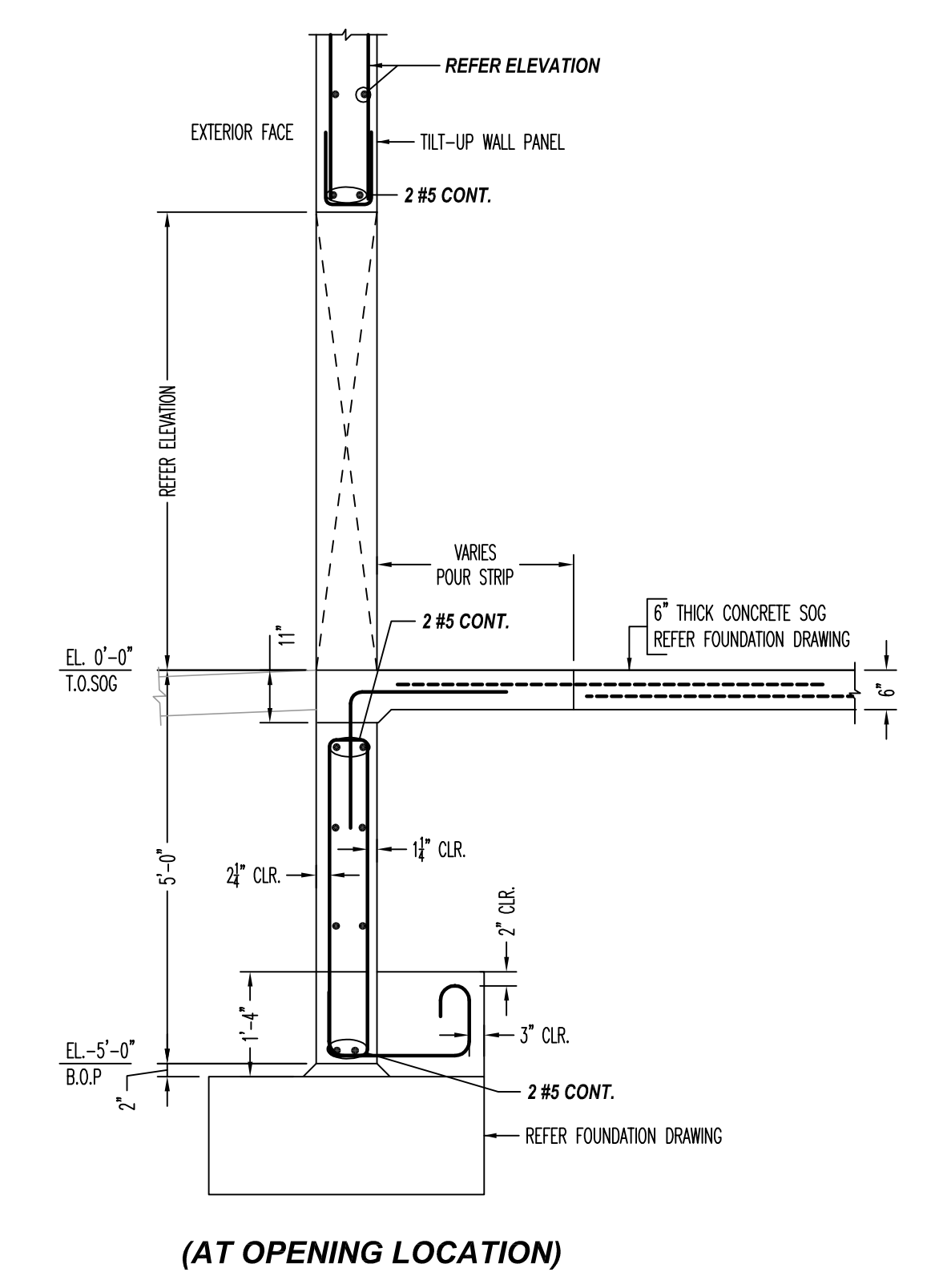
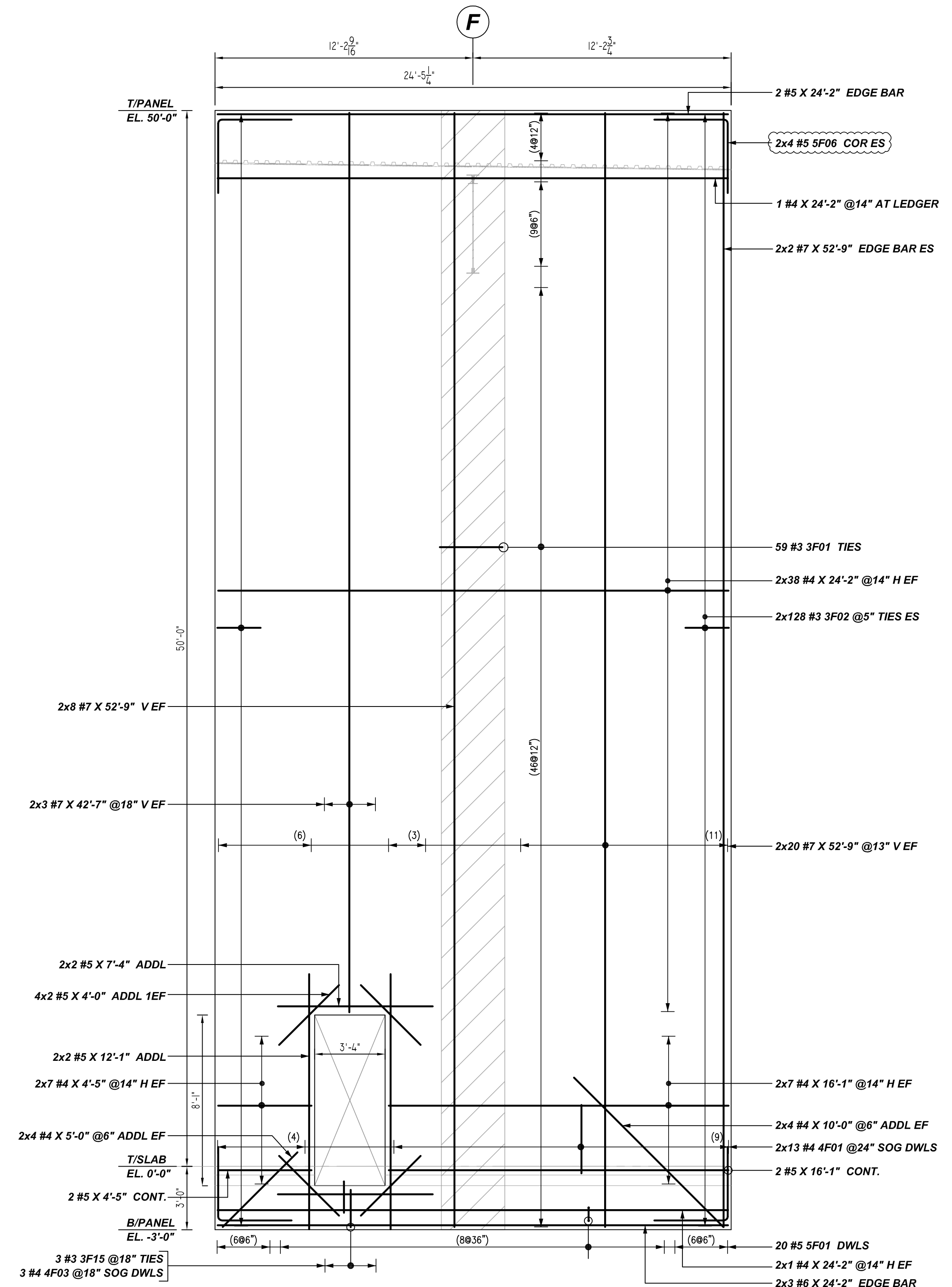
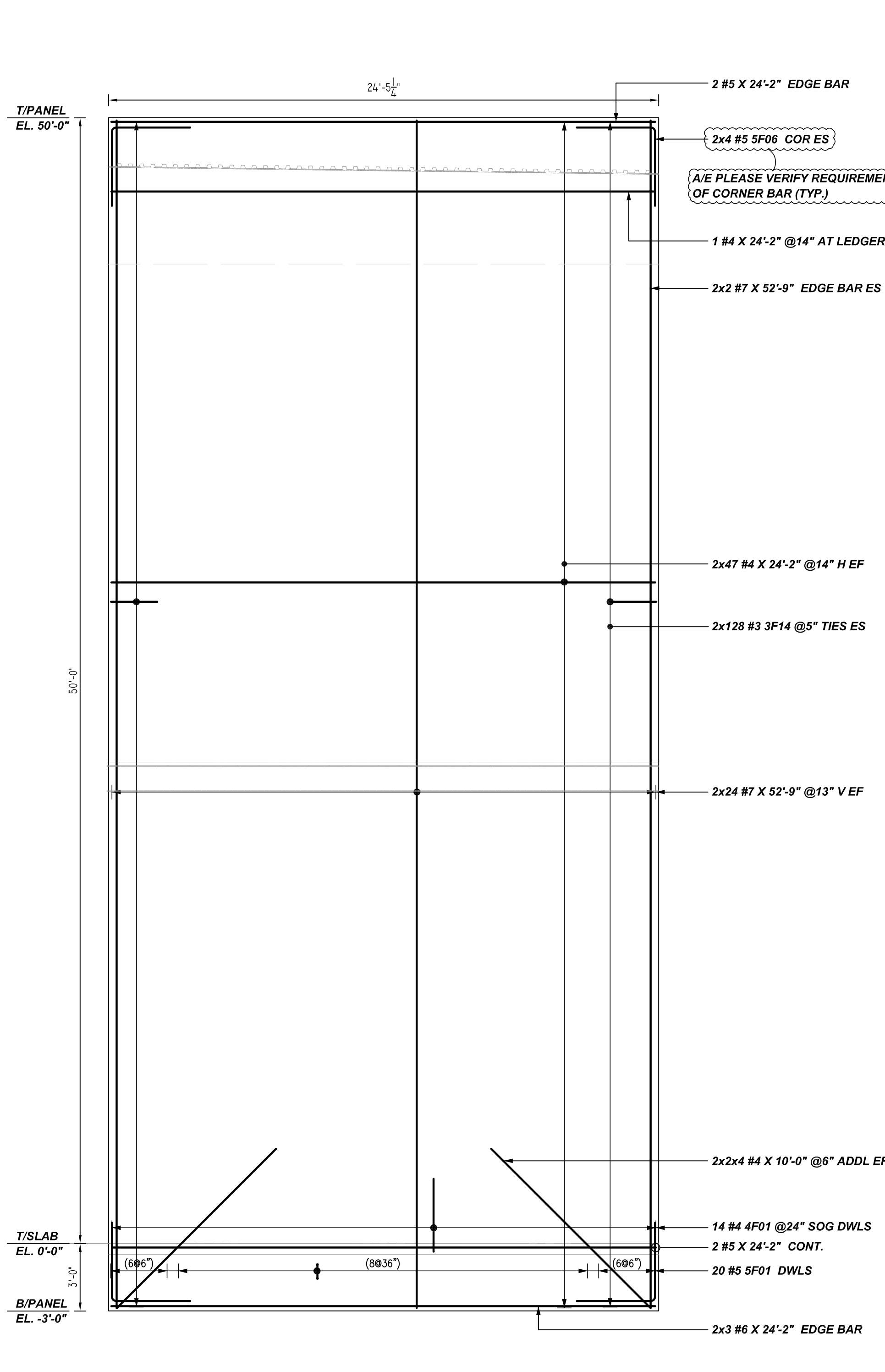
These drawings are for the placement of reinforcing steel only. They are to be used in conjunction with the contract drawings & specifications. Any elevations & dimensions shown on drawings are for detailing purposes only and should not be used for construction unless verified by the engineer or contractor.

FOR APPROVAL	12/14/21
0	

JOB ADDRESS: PALMDALE - XLFC
CITY/STATE: PALMDALE, CA
ENGINEER: HSA & ASSOCIATES, INC.
ARCHITECT: WARE MALCOMB
CLIENT: GUY YOCOM CONSTRUCTION

ANTELOPE
**AREA #1 WALL PANEL
REINFORCEMENT DETAILS**

JOB #: 1-147
SHEET #: R5.001



1 TYPICAL WALL PANEL JOINT DETAILS
 REF: 1 & 3/SD2.0 (DT. 08.02.21)
 SCALE: 1/2" = 1'-0"

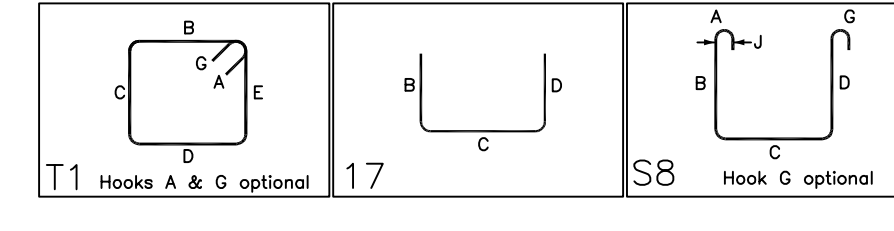
2 TYPICAL WALL PANEL SECTION DETAILS
 REF: 1 & 3/SD2.0 (DT. 08.02.21)
 SCALE: 1/2" = 1'-0"

Release Number: R5.002

Bar Mark	Qty	Size	Total Length	Type	X'	Y'	Z'	X''	Y''	Z''	X'''	Y'''	Z'''
3F01	59	#5	6'-11"	T1	0'-4 X'	0'-8 X'	3'-0"	0'-8 X'	3'-0"	0'-4 X'			
3F02	256	#5	6'-3"	T1	0'-4 X'	0'-8 X'	2'-11"	0'-8 X'	2'-11"	0'-4 X'			
3F14	256	#5	6'-4 X'	T1	0'-4 X'	0'-8 X'	2'-11"	0'-8 X'	2'-11"	0'-4 X'			
3F15	3	#5	4'-8"	T1	0'-4 X'	1'-9 X'	0'-8 X'	1'-9 X'	0'-8 X'	0'-4 X'			
4F01	40	#4	4'-3"	T1	0'-4 X'	1'-0"	3'-5"						
4F03	3	#4	4'-0"	T1	1'-0"	2'-6"							
5F01	40	#5	3'-11 X'	S8	0'-7"	0'-8"	2'-0 X'	0'-8"		0'-5"	0'-5"		
5F06	16	#5	7'-0"	T1	3'-6"	3'-6"							

TYPICAL REINFORCING BAR CLEARANCE TABLE

LOCATION	MIN. COVER
WALL PANEL (TOP & BOT)	1 1/2" CLR
WALL PANEL (EXTERIOR)	2 1/4" CLR
WALL PANEL (INTERIOR)	1 1/4" CLR



**ALL BARS IN THIS DRAWING
 ASTM A615 GRADE 60
 BLACK UNCOATED**

FOR APPROVAL

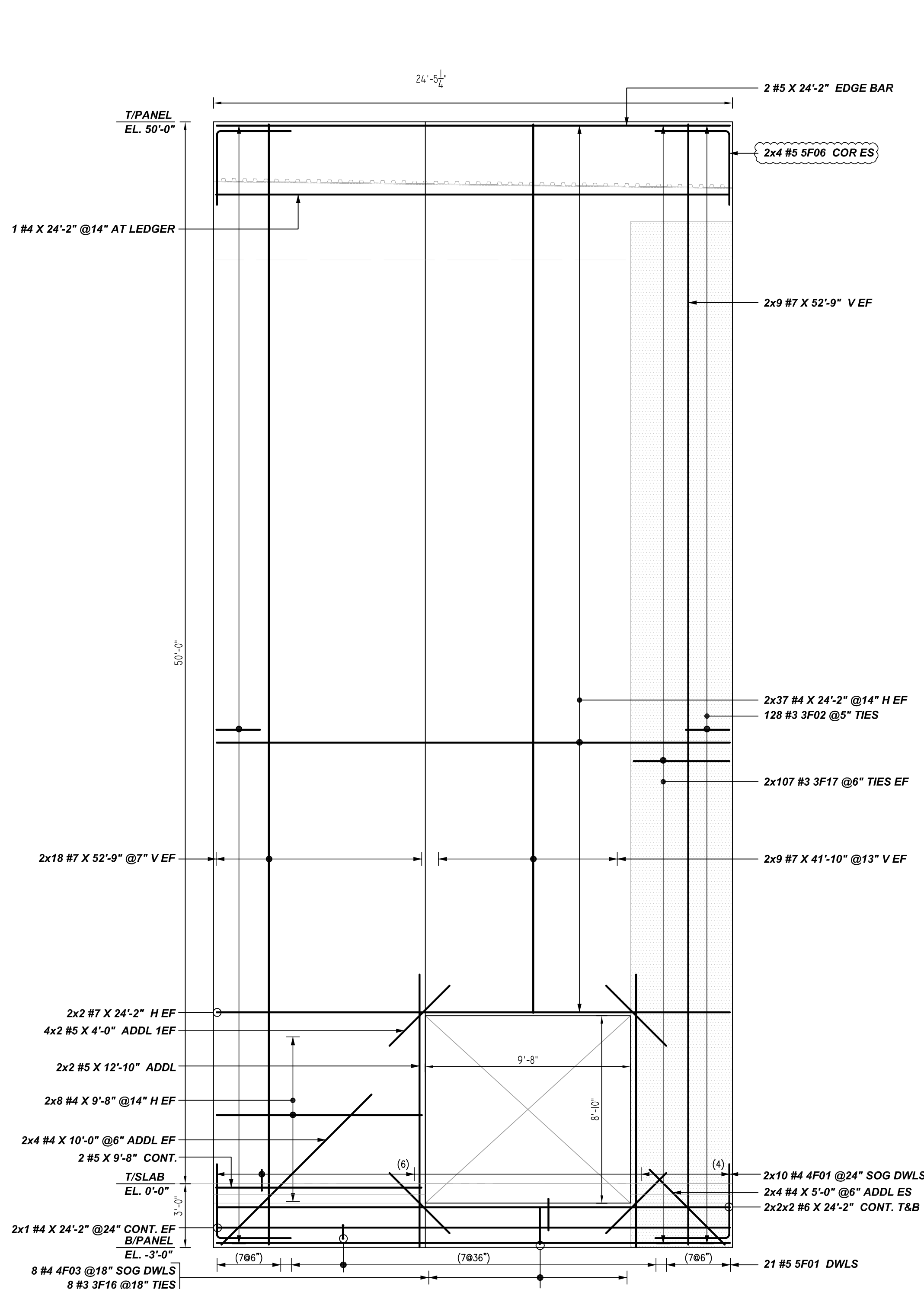
FOR APPROVAL	12/14/21
0	

JOB ADDRESS:	PALMDALE - XLFC
CITY/STATE:	PALMDALE, CA
ENGINEER:	HSA & ASSOCIATES, INC.
ARCHITECT:	WARE MALCOMB
CLIENT:	GUY YOCOM CONSTRUCTION

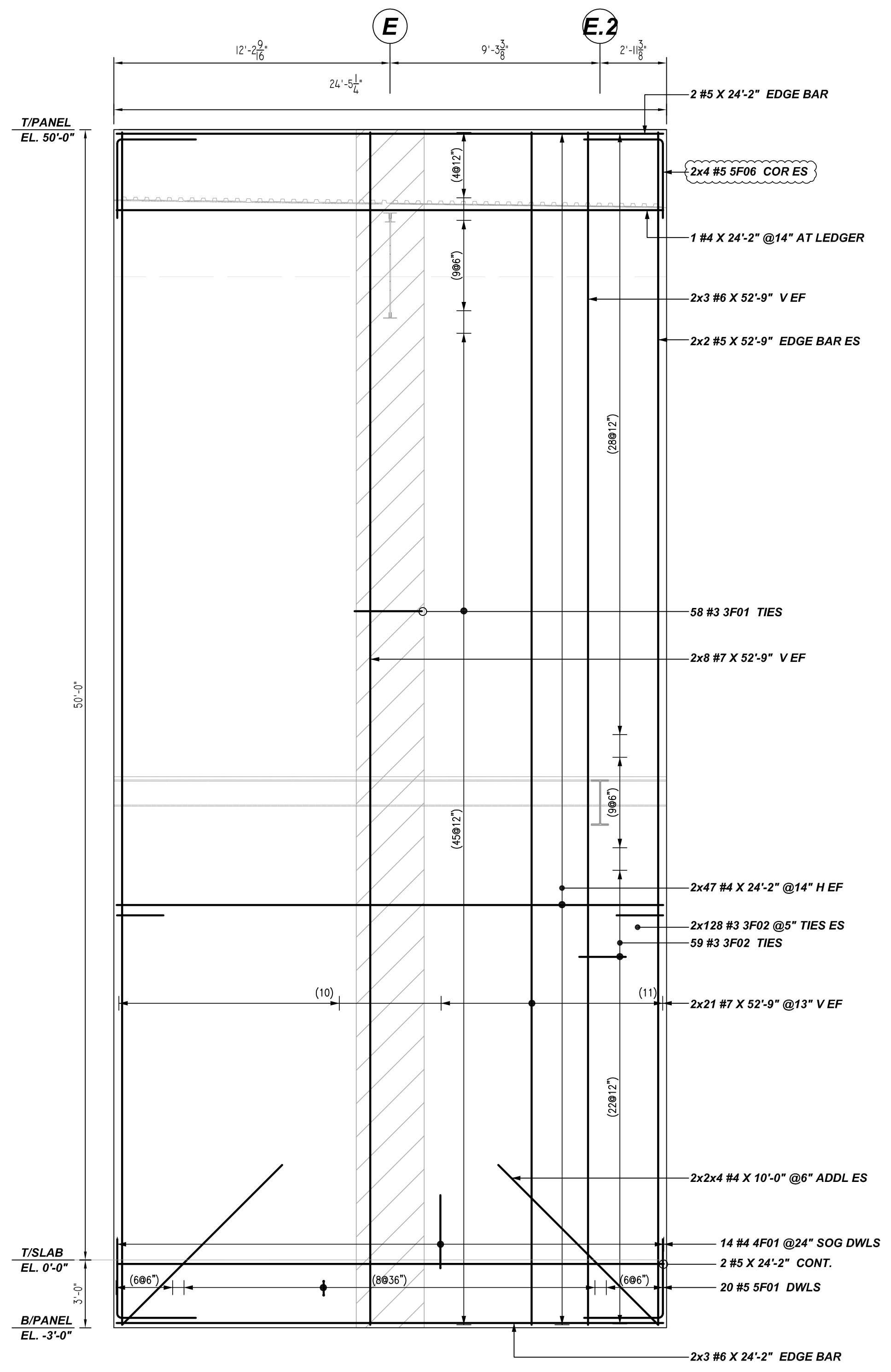
ANTELOPE
AREA#1 WALL PANEL REINFORCEMENT DETAILS

JOB #:	1-147
SHEET #:	R5.002

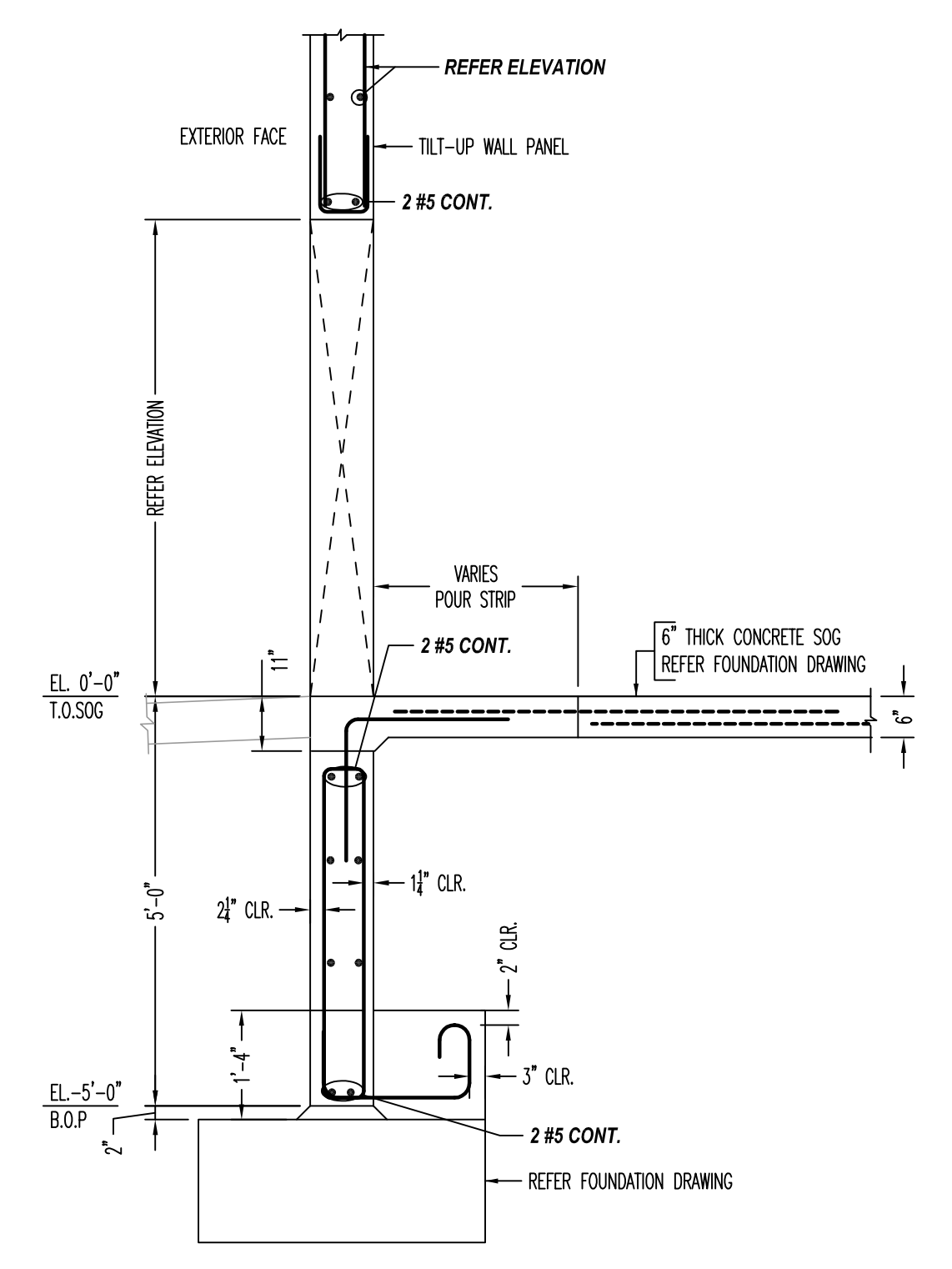
These drawings are for the placement of reinforcing steel only. They are to be used in conjunction with the contract drawings & specifications. Any elevations & dimensions shown on drawings are for detailing purposes only and should not be used for construction unless verified by the engineer or contractor.



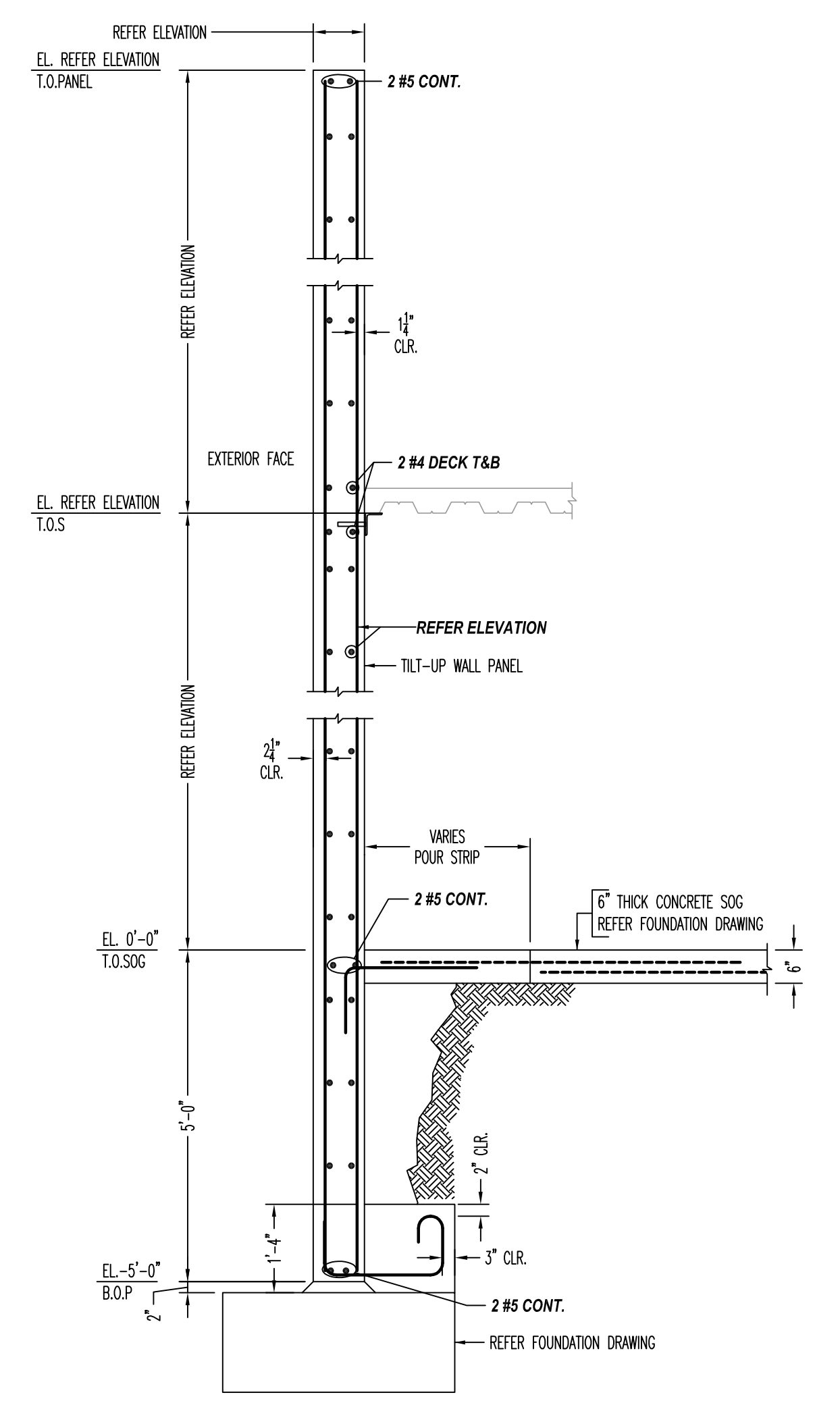
11.25" THICK
PANEL-16
 REF: S7.1 (DT. 08/02/21)
 SCALE: 1/4" = 1'-0"



11.25" THICK
PANEL-17
 REF: S7.1 (DT. 08/02/21)
 SCALE: 1/4" = 1'-0"



(AT OPENING LOCATION)

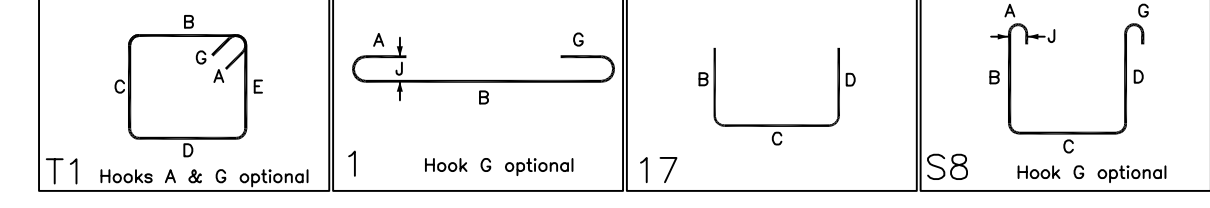


(AT WITHOUT OPENING LOCATION)

2 TYPICAL WALL PANEL SECTION DETAILS
 REF: 1 & 3/SD2.0 (DT. 08.02.21)
 SCALE: 1/2" = 1'-0"

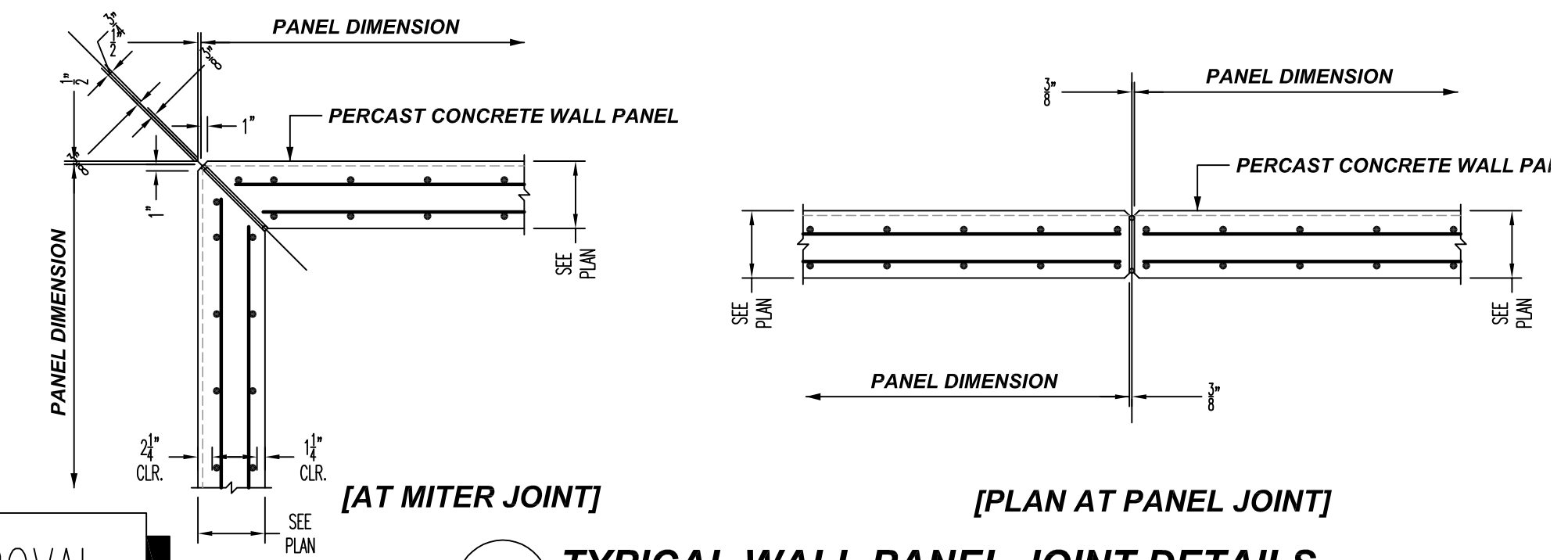
Bar Mark	Qty	Size	Total Length	Type	X	Y	Z	BAR LIST
3F01	58	#3	6'-11"	T1	0'-4 1/2"	0'-8 1/2"	3'-0"	0'-8 1/2"
3F02	443	#3	6'-3"	T1	0'-4 1/2"	0'-8 1/2"	2'-1"	0'-4 1/2"
3F16	8	#3	4'-9"	T1	0'-4 1/2"	0'-8 1/2"	2'-1"	0'-4 1/2"
3F17	214	#3	5'-4 1/2"	1	0'-5"	4'-6 1/2"	0'-5"	0'-5"
4F01	34	#4	4'-3"	17	1'-0"	3'-3"		
4F03	8	#4	4'-0"	17	1'-6"	2'-6"		
5F01	41	#5	3'-11 1/2"	S8	0'-7"	0'-8"	2'-0 1/2"	0'-8"
5F06	18	#5	7'-0"	17	3'-6"	3'-6"		

LOCATION	MIN. COVER
WALL PANEL (TOP & BOT)	1 1/2" CLR
WALL PANEL (EXTERIOR)	2 1/4" CLR
WALL PANEL (INTERIOR)	1 1/4" CLR



ALL BARS IN THIS DRAWING
ASTM A615 GRADE 60
BLACK UNCOATED

FOR APPROVAL



1 TYPICAL WALL PANEL JOINT DETAILS
 REF: 1 & 3/SD2.0 (DT. 08.02.21)
 SCALE: 1/2" = 1'-0"

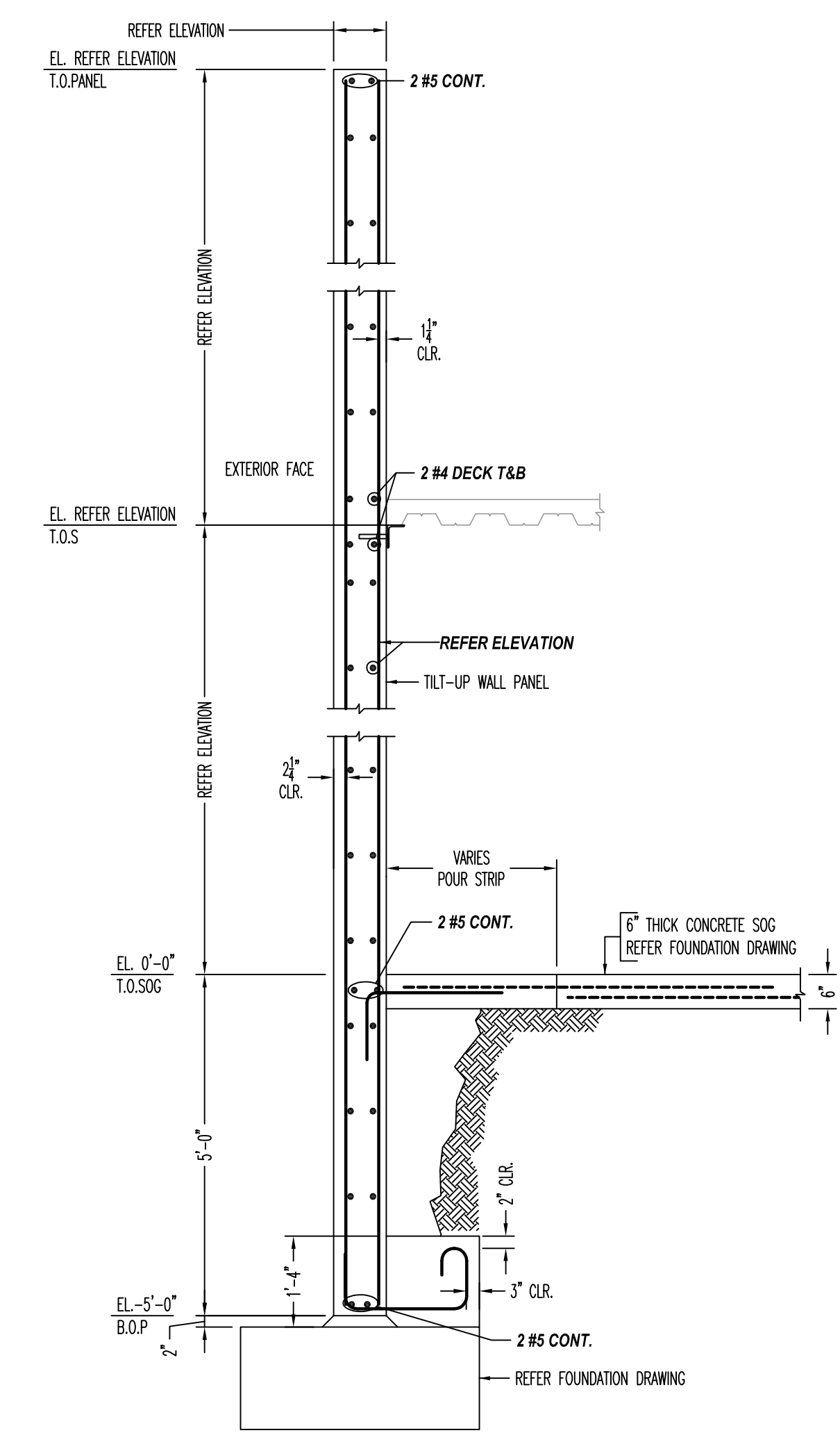
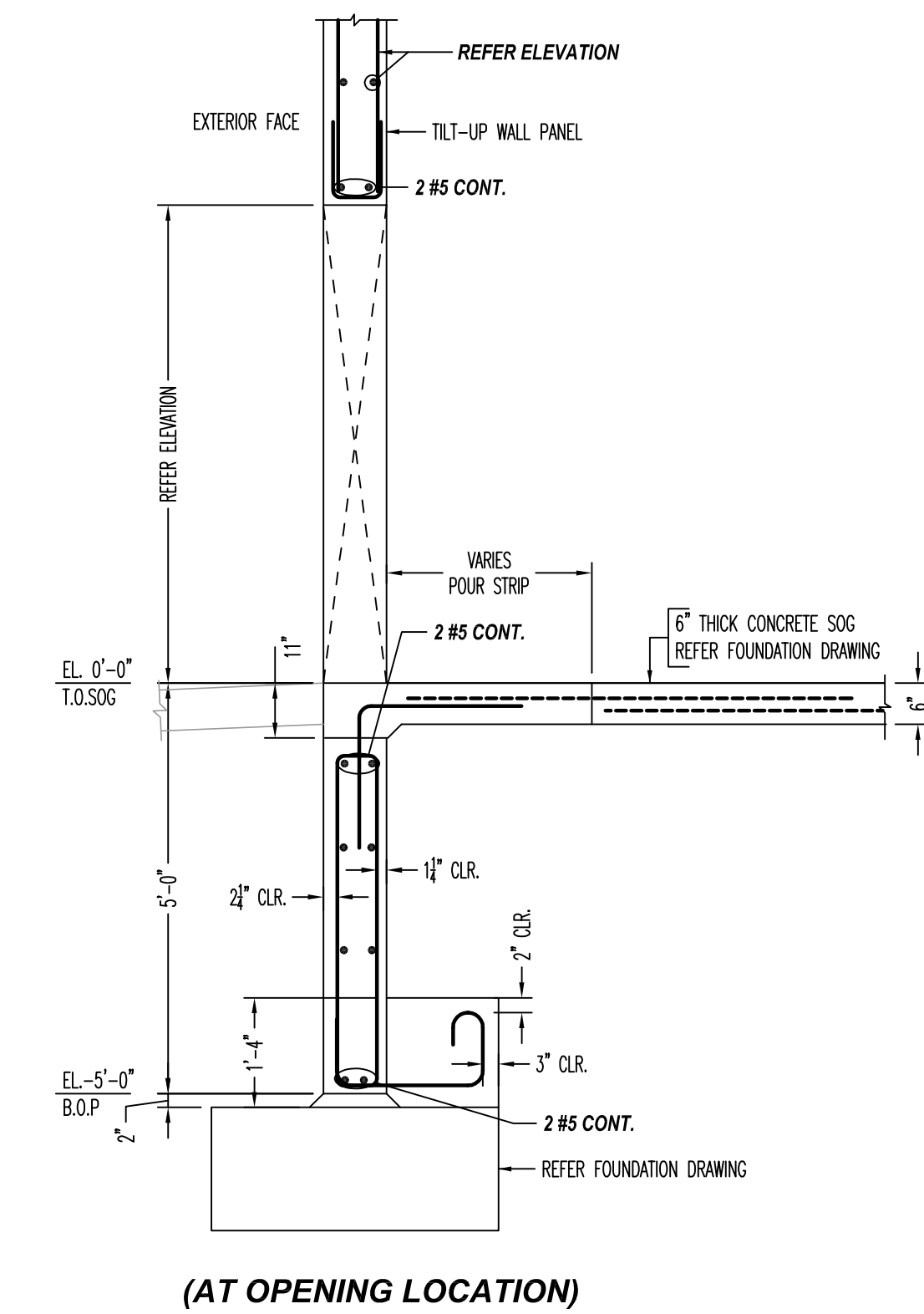
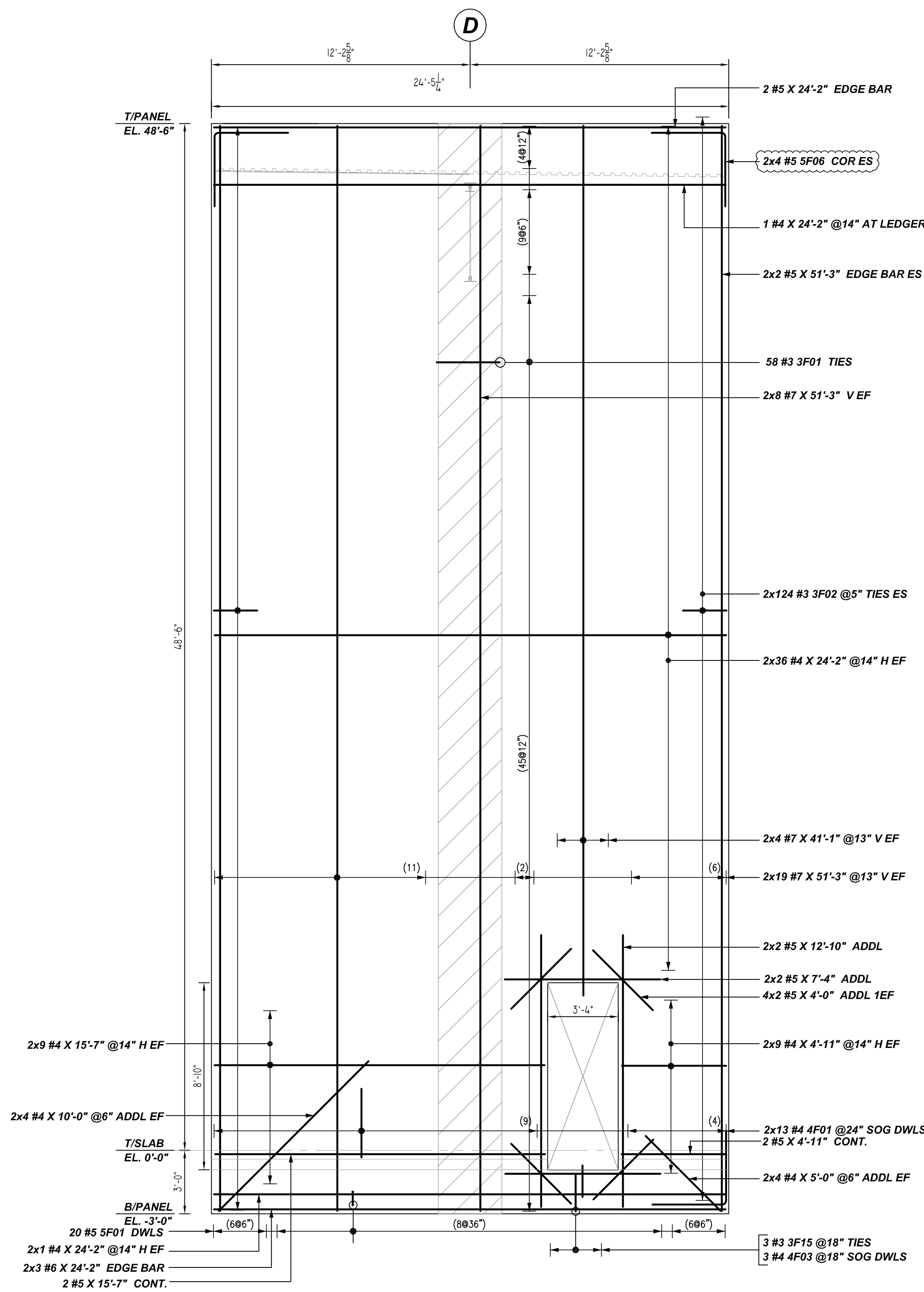
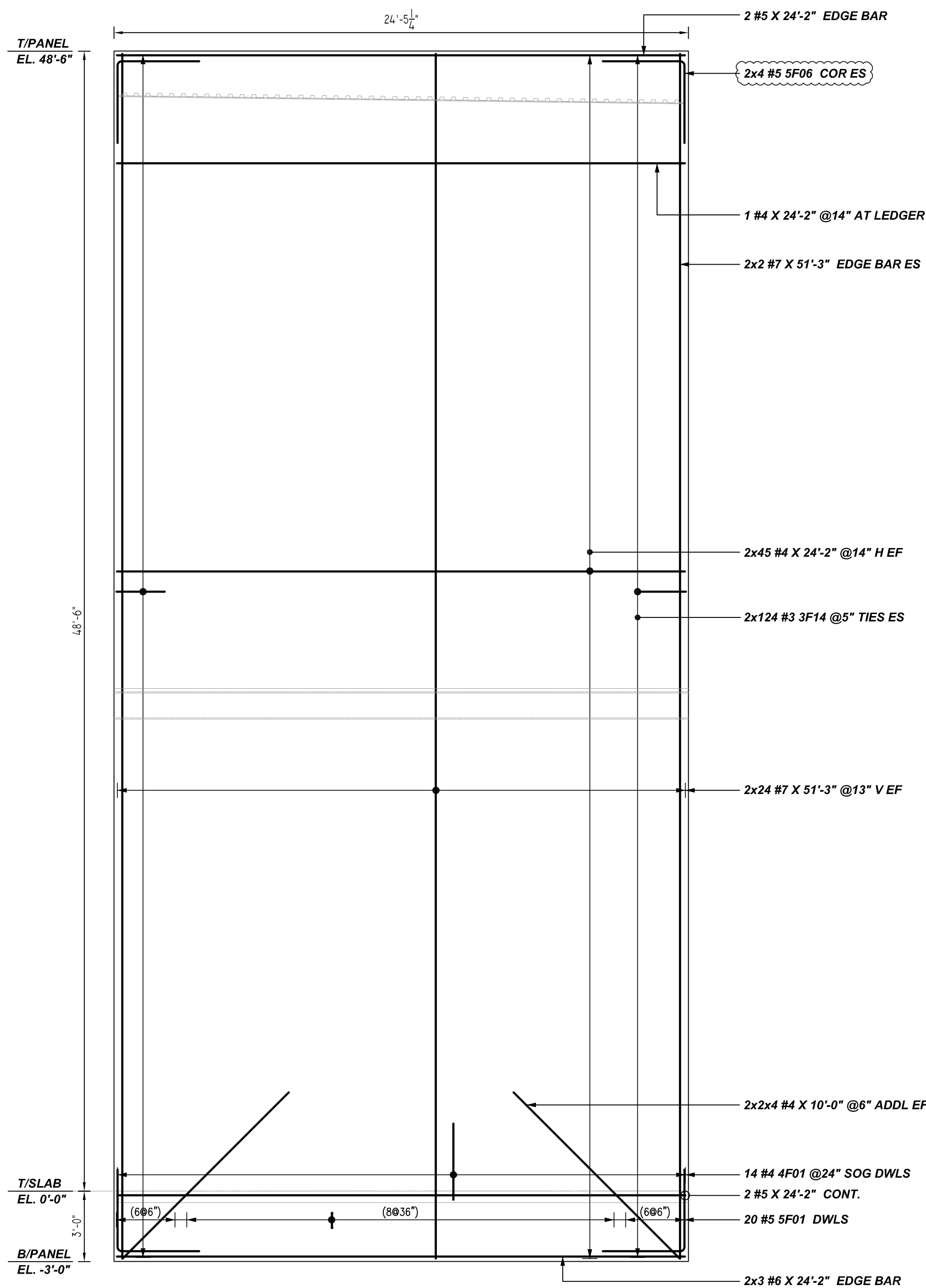
FOR APPROVAL	12/14/21
0	

JOB ADDRESS:	PALMDALE - XLFC
CITY/STATE:	PALMDALE, CA
ENGINEER:	HSA & ASSOCIATES, INC.
ARCHITECT:	WARE MALCOMB
CLIENT:	GUY YOCOM CONSTRUCTION

ANTELOPE
AREA#1 WALL PANEL
REINFORCEMENT DETAILS

JOB #:	1-147
SHEET #:	R5.003

These drawings are for the placement of reinforcing steel only. They are to be used in conjunction with the contract drawings & specifications. Any elevations & dimensions shown on drawings are for detailing purposes only and should not be used for construction unless verified by the engineer or contractor.



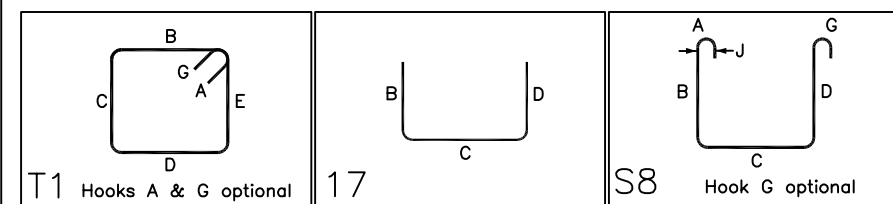
2 TYPICAL WALL PANEL SECTION DETAILS
 REF: 1 & 3/SD2.0 (DT. 08.02.21)
 SCALE: 1/2" = 1'-0"

Release Number: R5.004

Bar Mark	Qty	Size	Total Length	Type	X	Y	Z	W	V	U	T	S	R	Q	P	O	N	M	L	K	J	I	H	G	F	E	D	C	B	A
3F01	58	#5	8'-11"	T1	0'-4 X	0'-8 X	3'-0"	0'-8 X	3'-0"	0'-4 X																				
3F02	248	#5	6'-3"	T1	0'-4 X	0'-8 X	2'-11"	0'-8 X	2'-11"	0'-4 X																				
3F14	248	#5	6'-4 X	T1	0'-4 X	0'-8 X	2'-11"	0'-8 X	2'-11"	0'-4 X																				
3F15	3	#5	5'-8"	T1	0'-4 X	1'-8 X	0'-8 X	1'-9 X	0'-8 X	0'-4 X																				
4F01	40	#4	4'-3"	T1	0'-4 X	1'-8 X	0'-8 X	1'-9 X	0'-8 X	0'-4 X																				
4F03	3	#4	4'-0"	T1	0'-4 X	1'-8 X	0'-8 X	1'-9 X	0'-8 X	0'-4 X																				
5F01	40	#5	5'-11 X	S8	0'-7"	0'-8"	2'-0 X	0'-8"			0'-5"	0'-5"																		
5F06	16	#5	7'-0"	T1	0'-4 X	1'-8 X	0'-8 X	1'-9 X	0'-8 X	0'-4 X																				

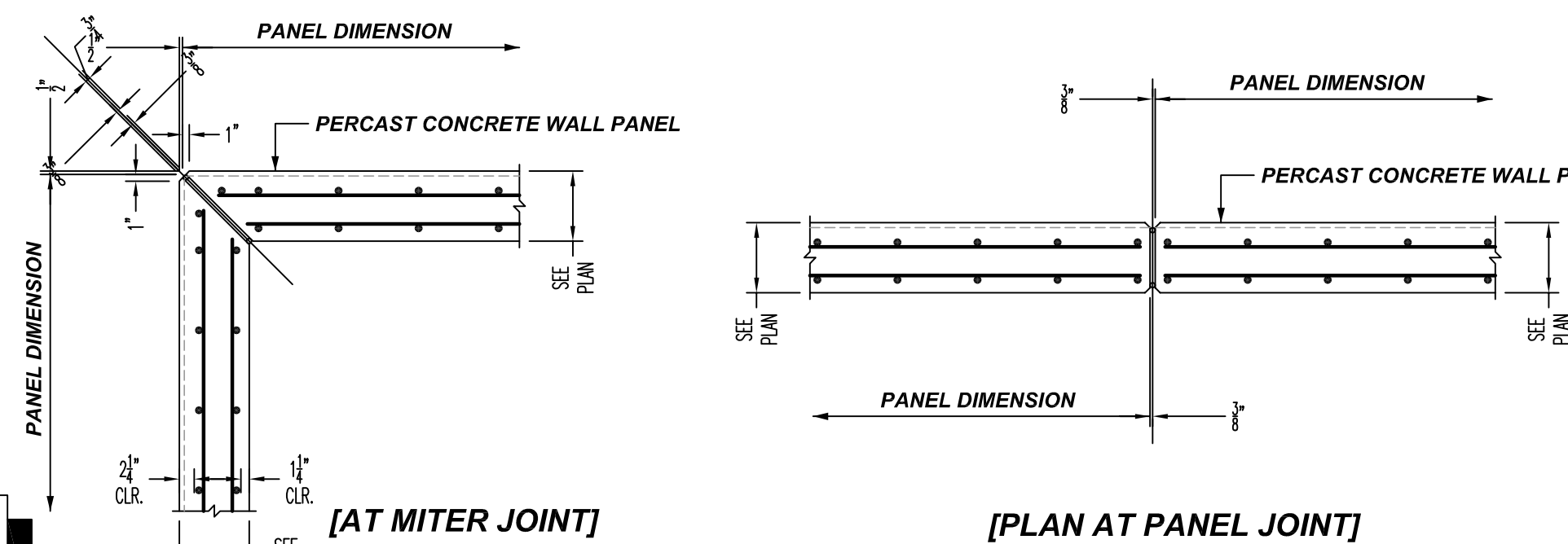
TYPICAL REINFORCING BAR CLEARANCE TABLE

LOCATION	MIN. COVER
WALL PANEL (TOP & BOT)	1 1/2" CLR
WALL PANEL (EXTERIOR)	2 1/4" CLR
WALL PANEL (INTERIOR)	1 1/4" CLR



**ALL BARS IN THIS DRAWING
 ASTM A615 GRADE 60
 BLACK UNCOATED**

FOR APPROVAL



FOR APPROVAL

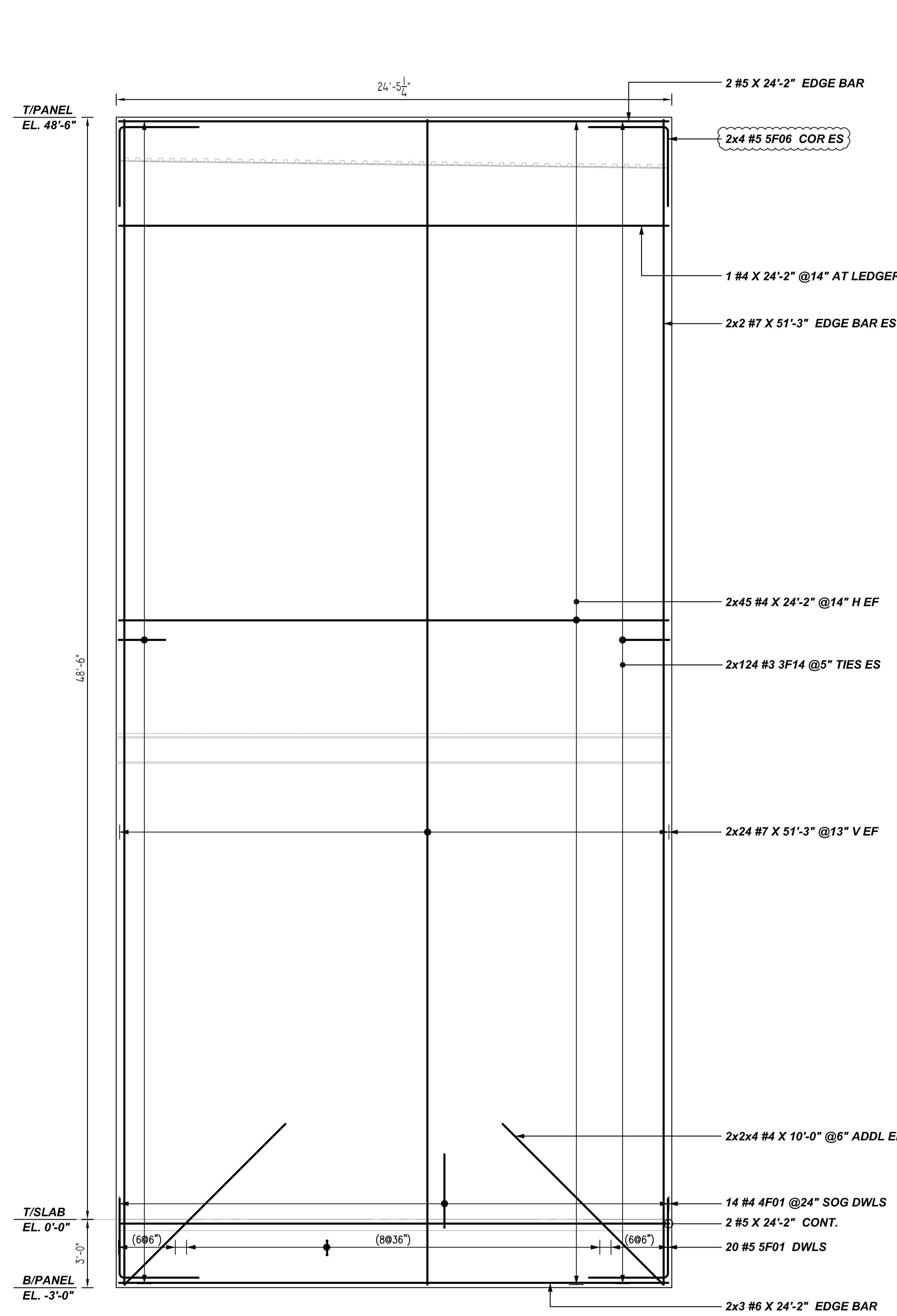
0	12/14/21
---	----------

JOB ADDRESS: PALMDALE - XLFC
 CITY/STATE: PALMDALE, CA
 ENGINEER: HSA & ASSOCIATES, INC.
 ARCHITECT: WARE MALCOMB
 CLIENT: GUY YOCOM CONSTRUCTION

ANTELOPE
AREA#1 WALL PANEL REINFORCEMENT DETAILS

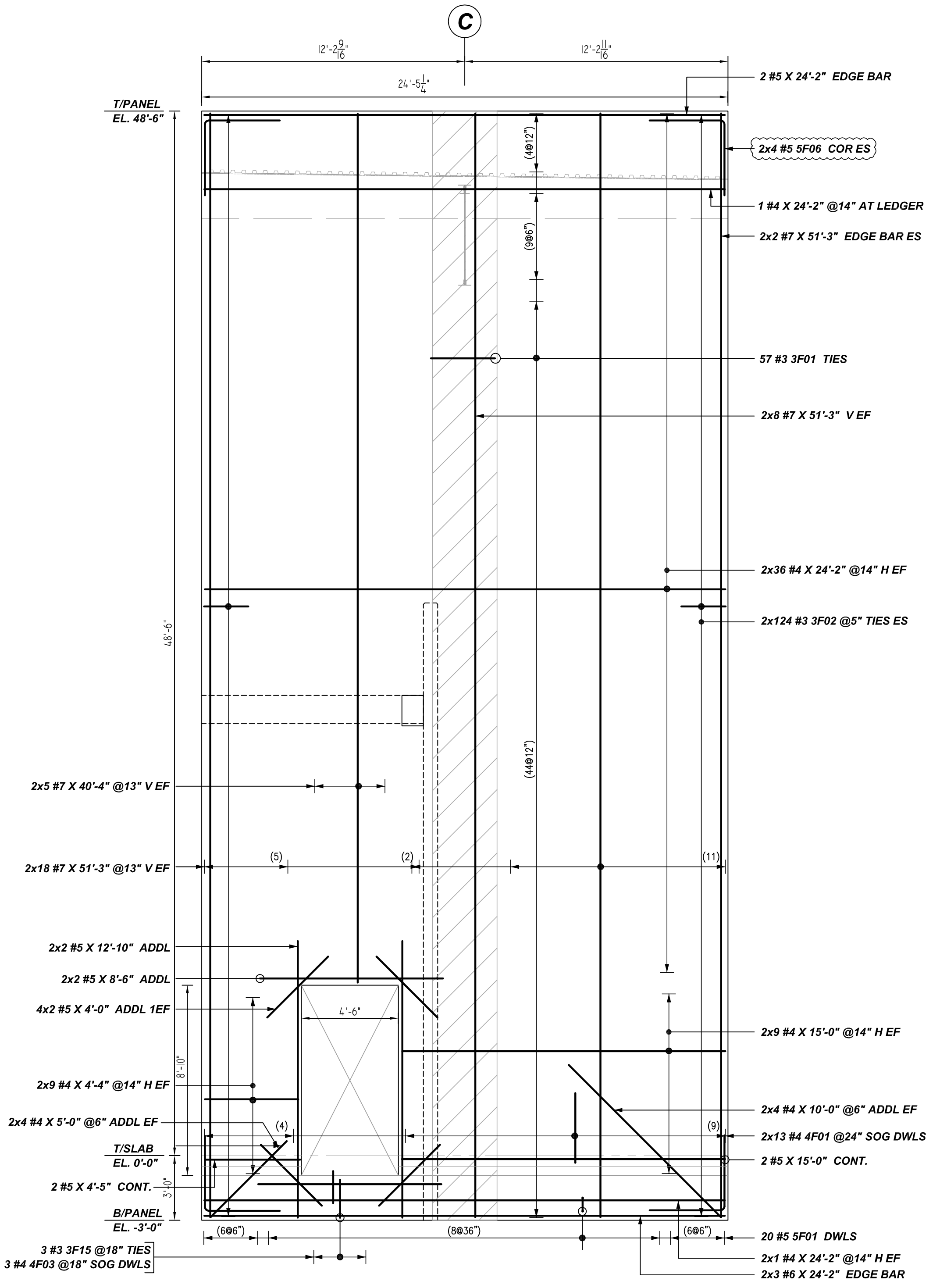
JOB #: 1-147
 SHEET #: R5.004

These drawings are for the placement of reinforcing steel only. They are to be used in conjunction with the contract drawings & specifications. Any elevations & dimensions shown on drawings are for detailing purposes only and should not be used for construction unless verified by the engineer or contractor.



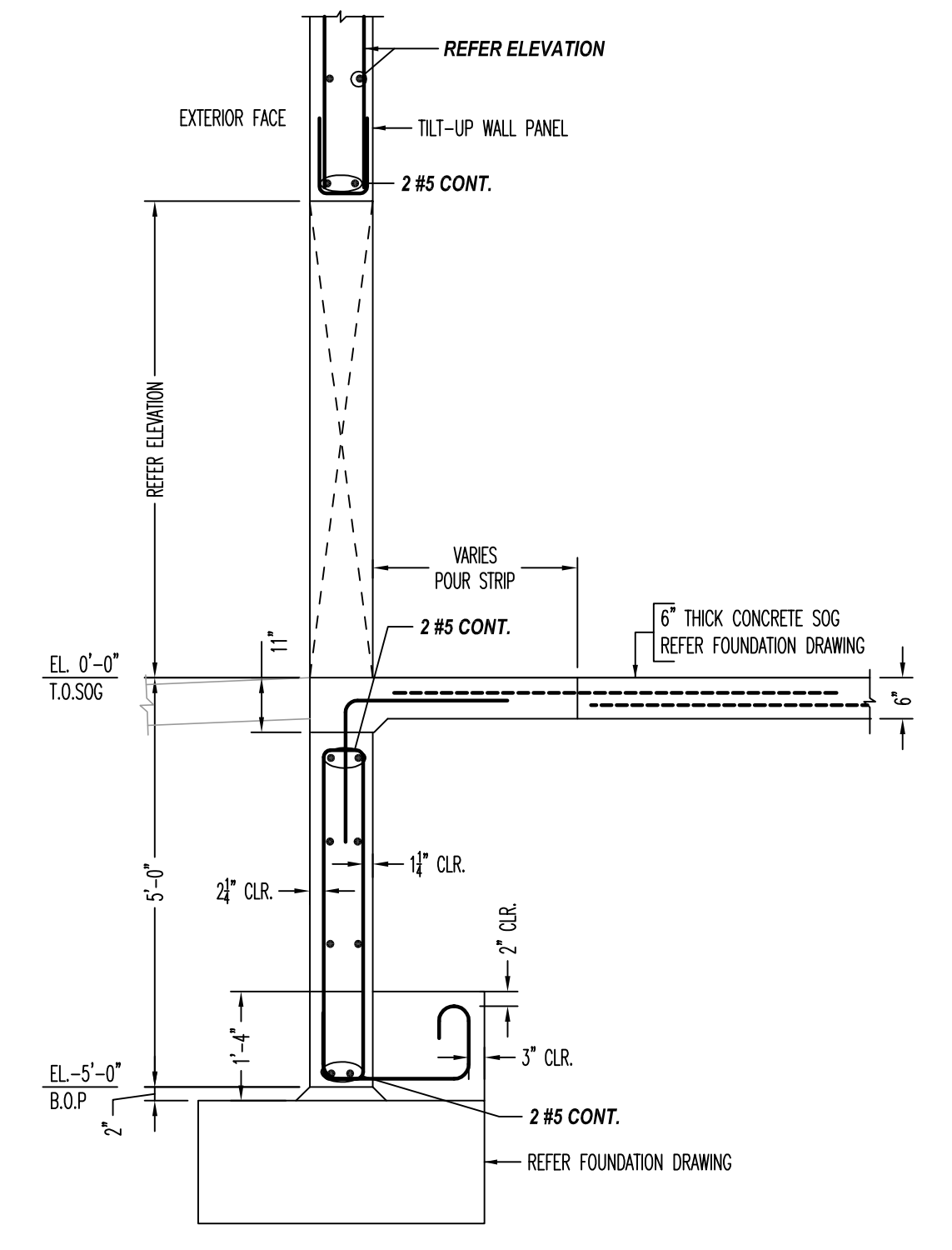
11.25" THICK

PANEL-20
REF: S7.1 (DT. 08/02/21)
SCALE: 1/4" = 1'-0"

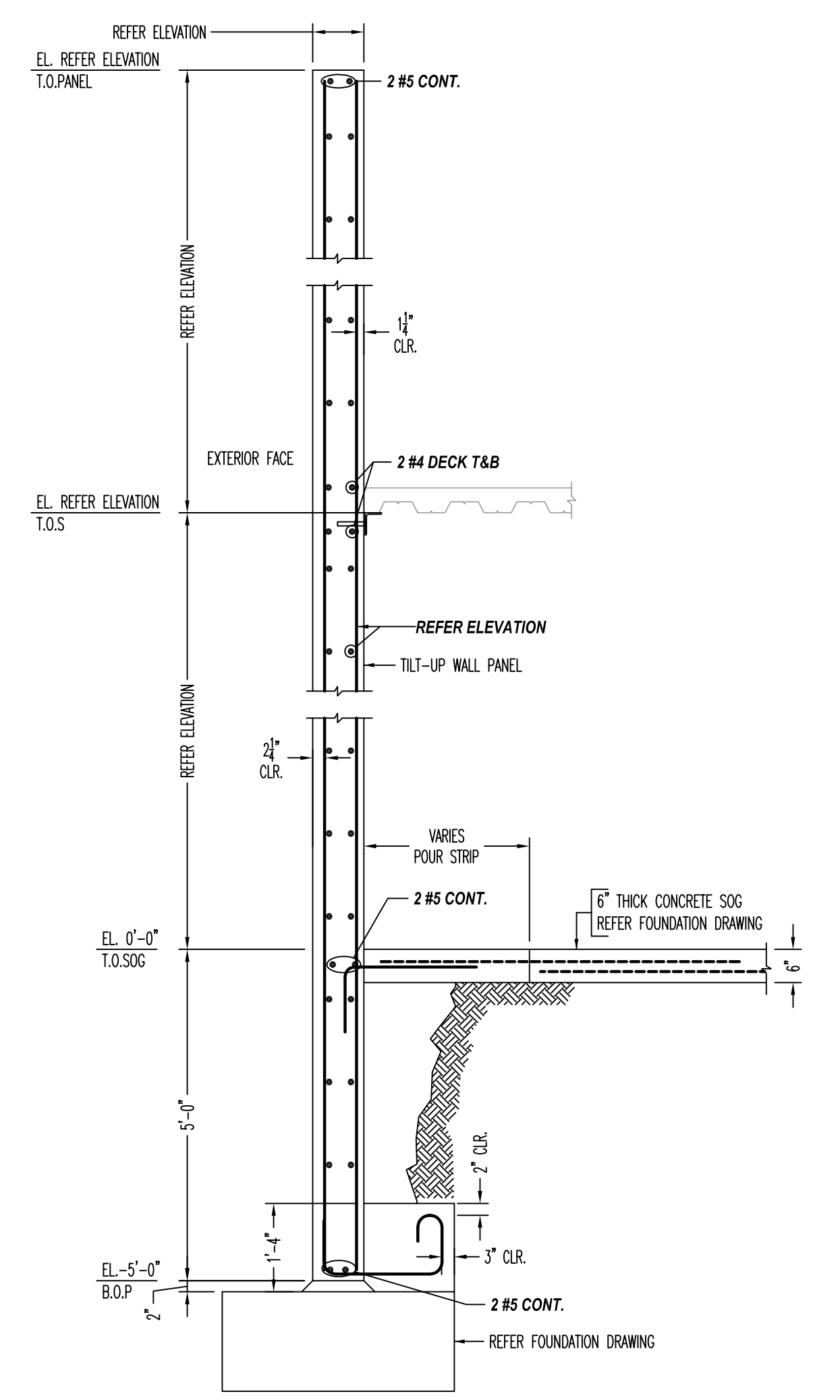


11.25" THICK

PANEL-21
REF: S7.1 (DT. 08/02/21)
SCALE: 1/4" = 1'-0"



(AT OPENING LOCATION)

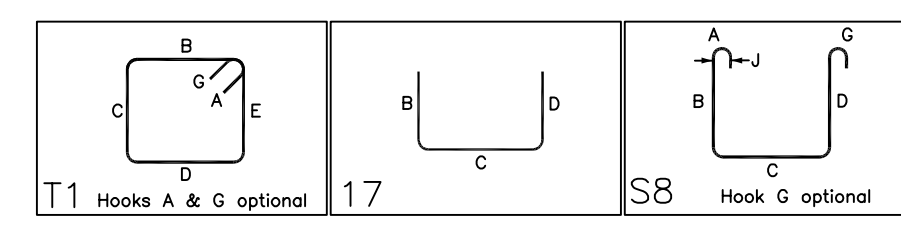


(AT WITHOUT OPENING LOCATION)

2 TYPICAL WALL PANEL SECTION DETAILS
REF: 1 & 3/SD2.0 (DT. 08.02.21)
SCALE: 1/2" = 1'-0"

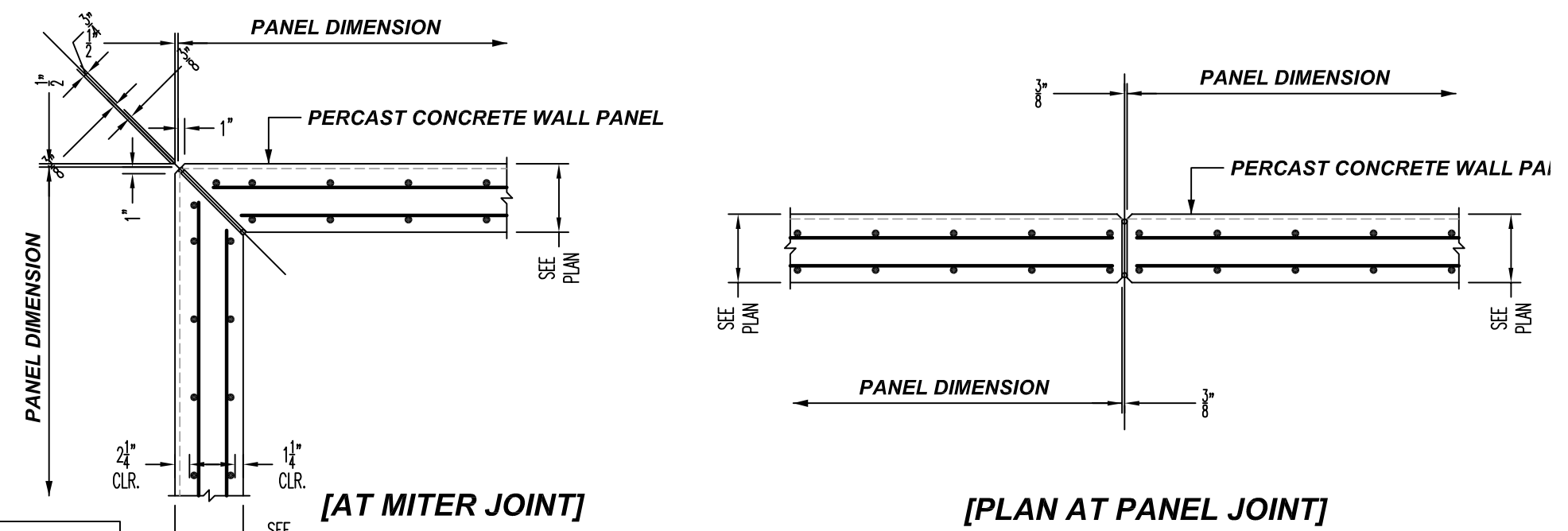
Bar Mark	Qty	Size	Total Length	Type	X	Y	Z	W	V	U	T	S	R	Q	P	O	N	M	L	K	J	I	H	G	F	E	D	C	B	A
3F01	57	#3	6'-1"	T1	0'-4"	0'-8"	3'-0"	0'-8"	3'-0"	0'-4"																				
3F02	248	#3	6'-3"	T1	0'-4"	0'-8"	2'-1"	0'-8"	2'-1"	0'-4"																				
3F14	248	#3	6'-4"	T1	0'-4"	0'-8"	2'-1"	0'-8"	2'-1"	0'-4"																				
3F15	3	#3	5'-8"	T1	0'-4"	1'-9"	1'-9"	0'-8"	0'-4"																					
4F01	40	#4	4'-3"	T2	1'-0"	3'-3"																								
4F03	3	#4	4'-0"	T2	1'-6"	2'-6"																								
5F01	40	#5	3'-11"	S8	0'-7"	0'-8"	2'-0"	0'-8"			0'-5"	0'-5"																		
5F06	16	#6	7'-0"	T2	3'-4"	3'-6"																								

LOCATION	MIN. COVER
WALL PANEL (TOP & BOT)	1 1/2" CLR
WALL PANEL (EXTERIOR)	2 1/4" CLR
WALL PANEL (INTERIOR)	1 1/4" CLR



ALL BARS IN THIS DRAWING
ASTM A615 GRADE 60
BLACK UNCOATED

FOR APPROVAL



1 TYPICAL WALL PANEL JOINT DETAILS
REF: 1 & 3/SD2.0 (DT. 08.02.21)
SCALE: 1/2" = 1'-0"

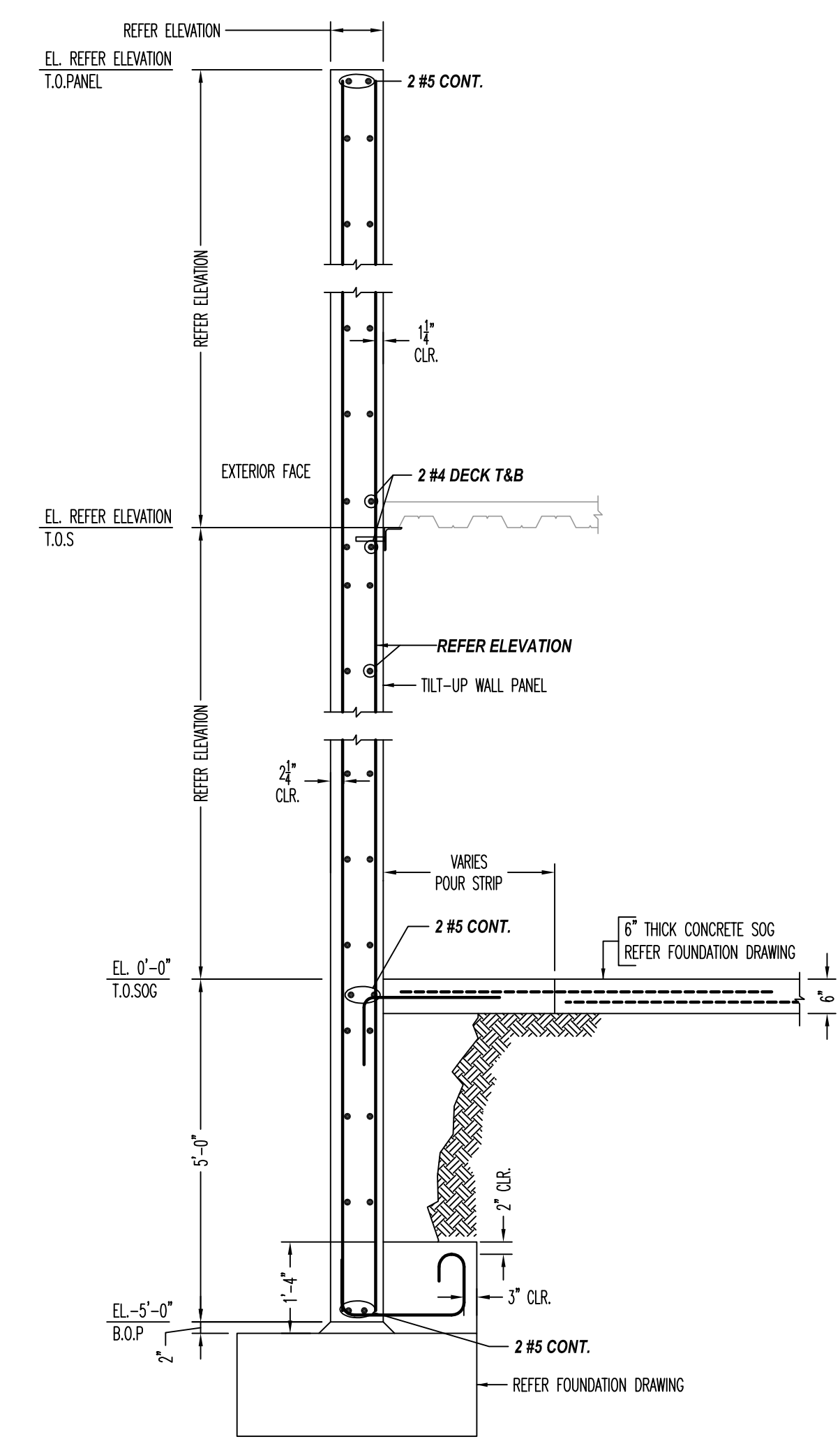
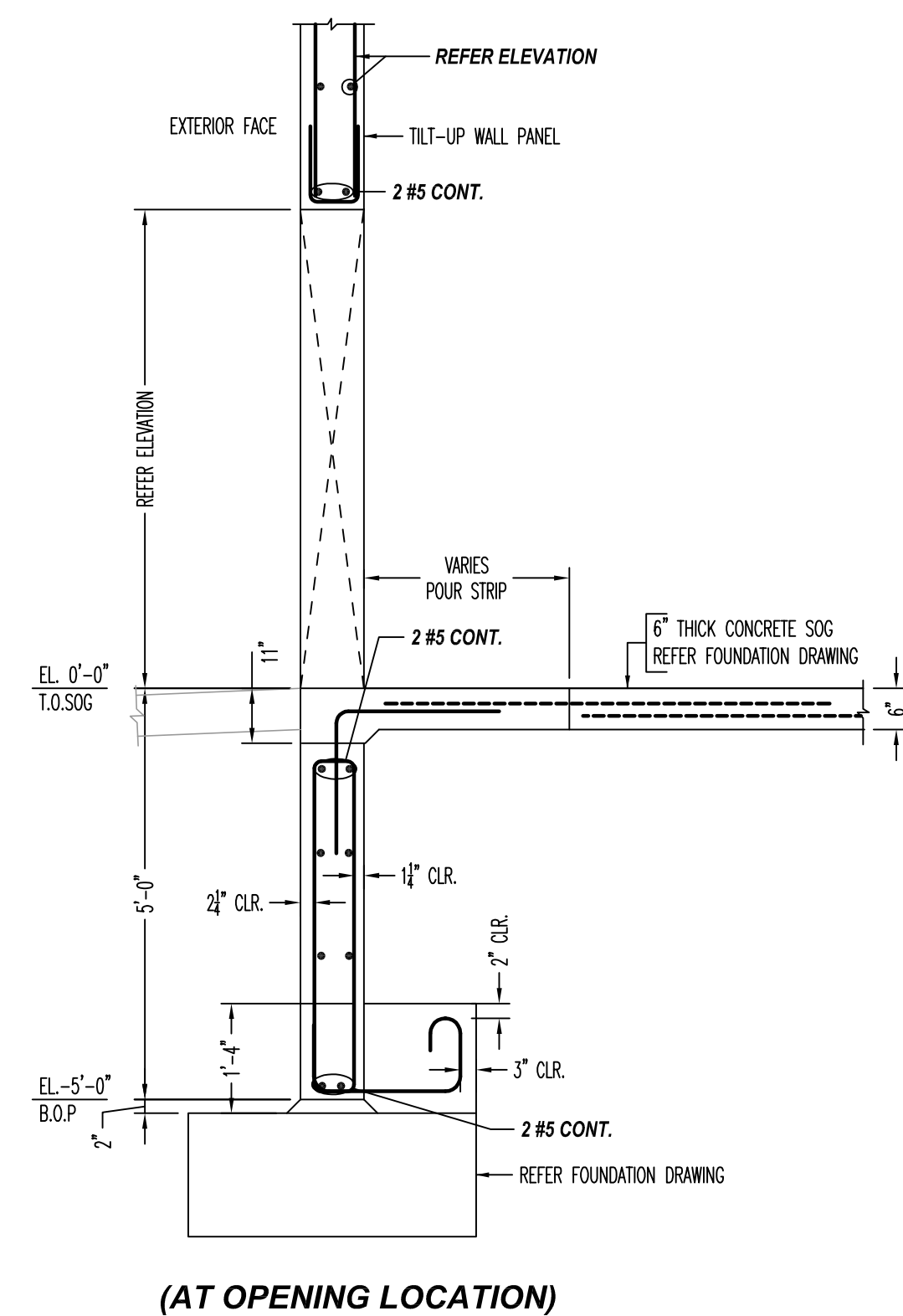
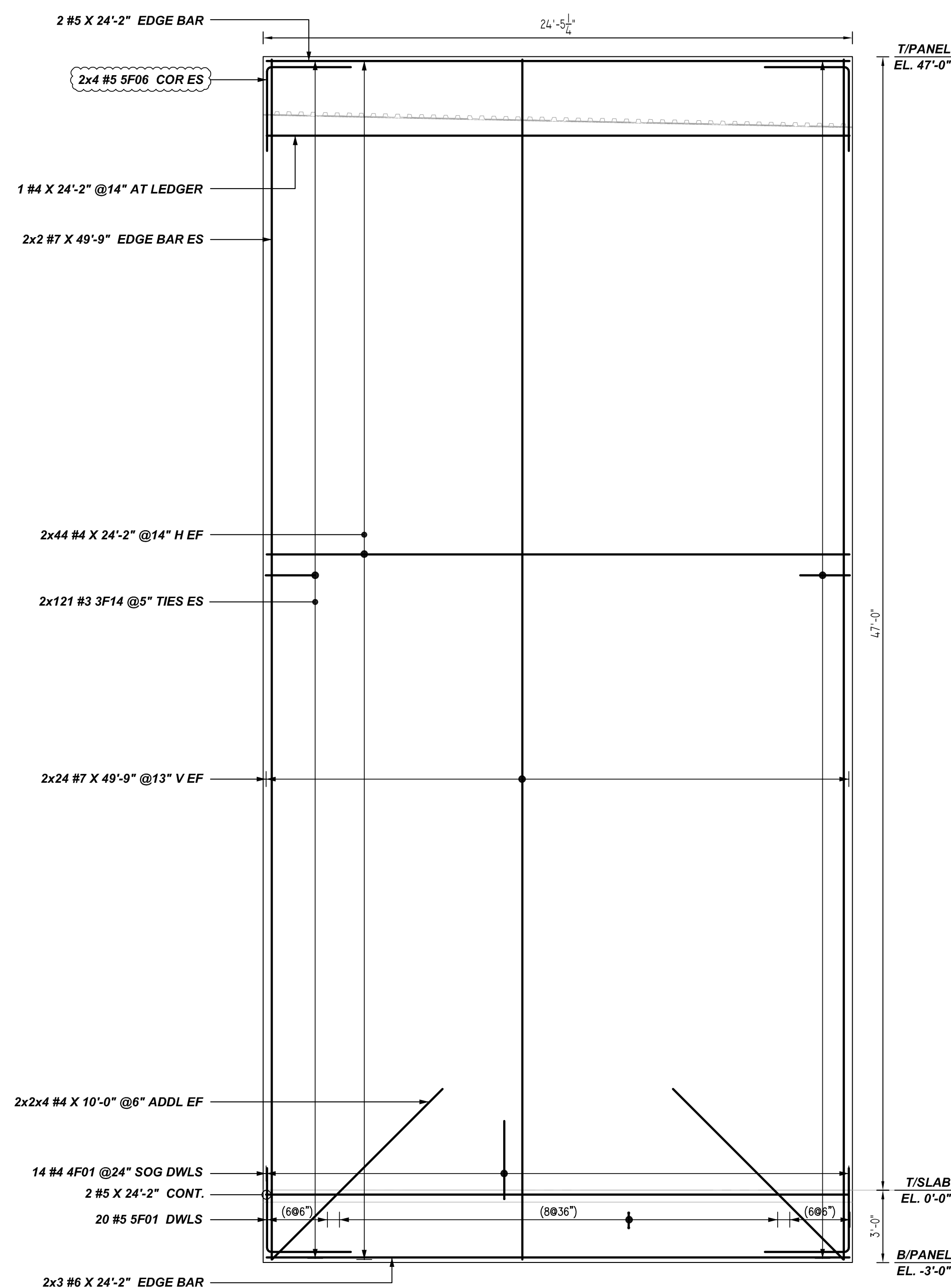
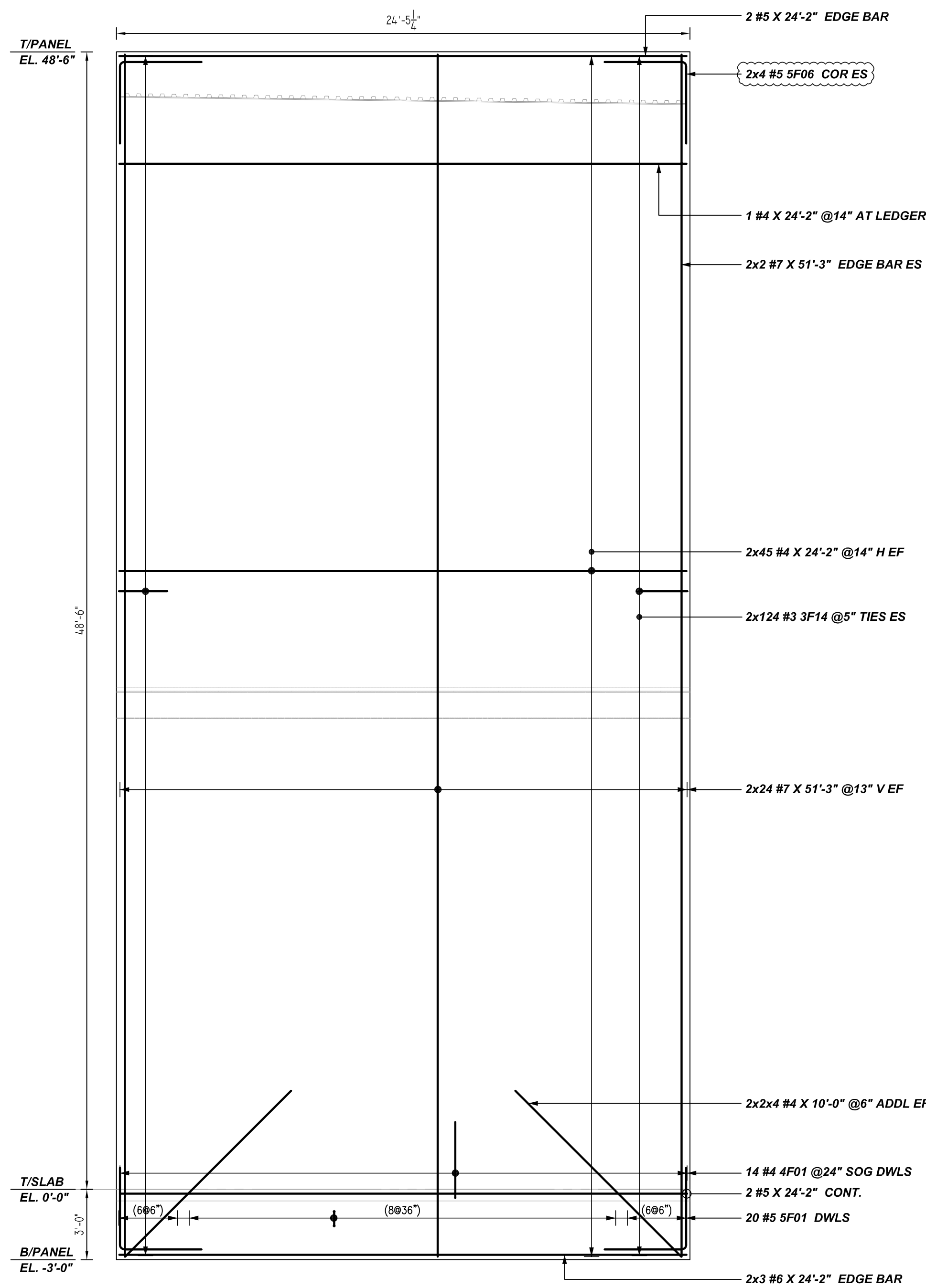
FOR APPROVAL	12/14/21
0	

JOB ADDRESS:	PALMDALE - XLFC
CITY/STATE:	PALMDALE, CA
ENGINEER:	HSA & ASSOCIATES, INC.
ARCHITECT:	WARE MALCOMB
CLIENT:	GUY YOCOM CONSTRUCTION

ANTELOPE
AREA#1 WALL PANEL
REINFORCEMENT DETAILS

JOB #:	1-147
SHEET #:	R5.005

These drawings are for the placement of reinforcing steel only. They are to be used in conjunction with the contract drawings & specifications. Any elevations & dimensions shown on drawings are for detailing purposes only and should not be used for construction unless verified by the engineer or contractor.



11.25" THICK

PANEL-22

REF: S7.1 (DT. 08/02/21)
SCALE: 1/4" = 1'-0"

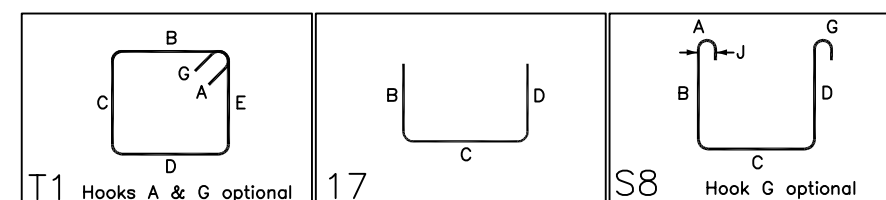
11.25" THICK

PANEL-23

REF: S7.1 (DT. 08/02/21)
SCALE: 1/4" = 1'-0"

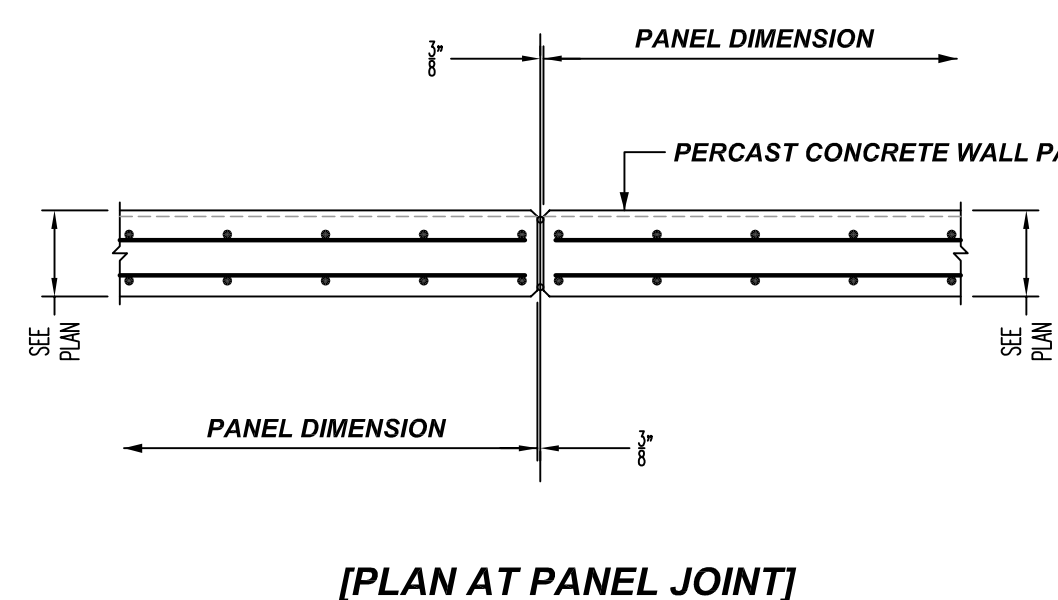
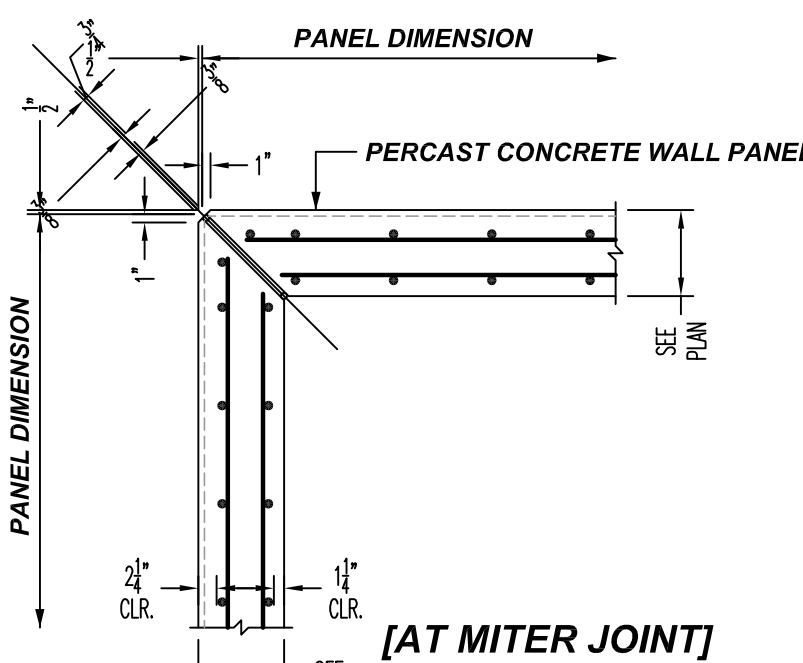
Bar Mark	Qty	Size	Total Length	Type	X	Y	Z	SHR LIST
3F14	490	#3	6'-4.8"	T1	0'-4.8"	0'-9"	2'-1"	0'-9"
4F01	28	#4	4'-3"	T1	1'-0"	3'-3"		
5F01	40	#5	3'-11.8"	S8	0'-7"	0'-8"	2'-0.8"	0'-8"
5F06	16	#5	7'-0"	T1	3'-6"	3'-6"		

LOCATION	MIN. COVER
WALL PANEL (TOP & BOT)	1 1/2" CLR
WALL PANEL (EXTERIOR)	2 1/4" CLR
WALL PANEL (INTERIOR)	1 1/4" CLR



**ALL BARS IN THIS DRAWING
ASTM A615 GRADE 60
BLACK UNCOATED**

FOR APPROVAL



1 TYPICAL WALL PANEL JOINT DETAILS

REF: 1 & 3/SD2.0 (DT.08.02.21)
SCALE: 1/2" = 1'-0"

2 TYPICAL WALL PANEL SECTION DETAILS

REF: 1 & 3/SD2.0 (DT.08.02.21)
SCALE: 1/2" = 1'-0"

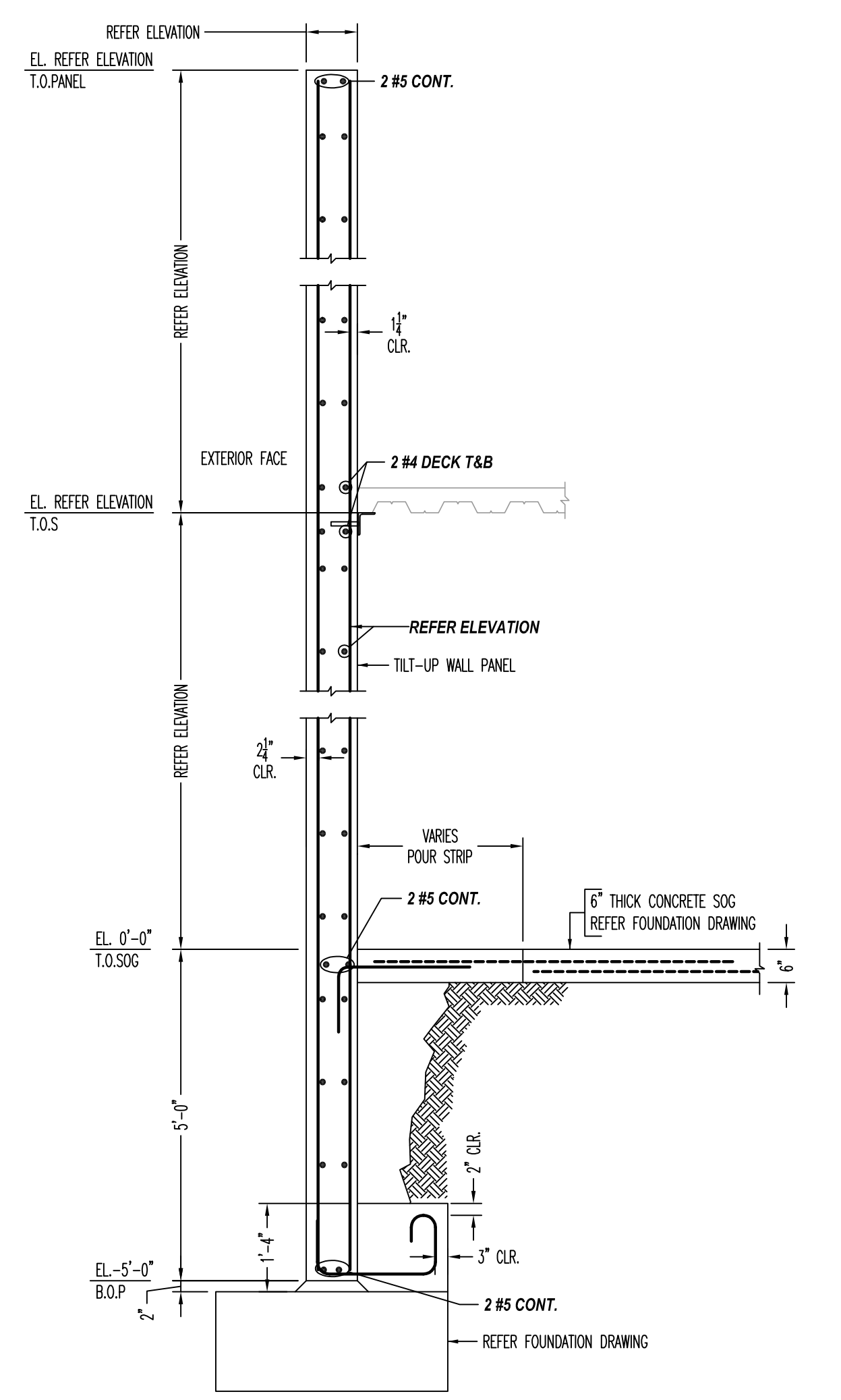
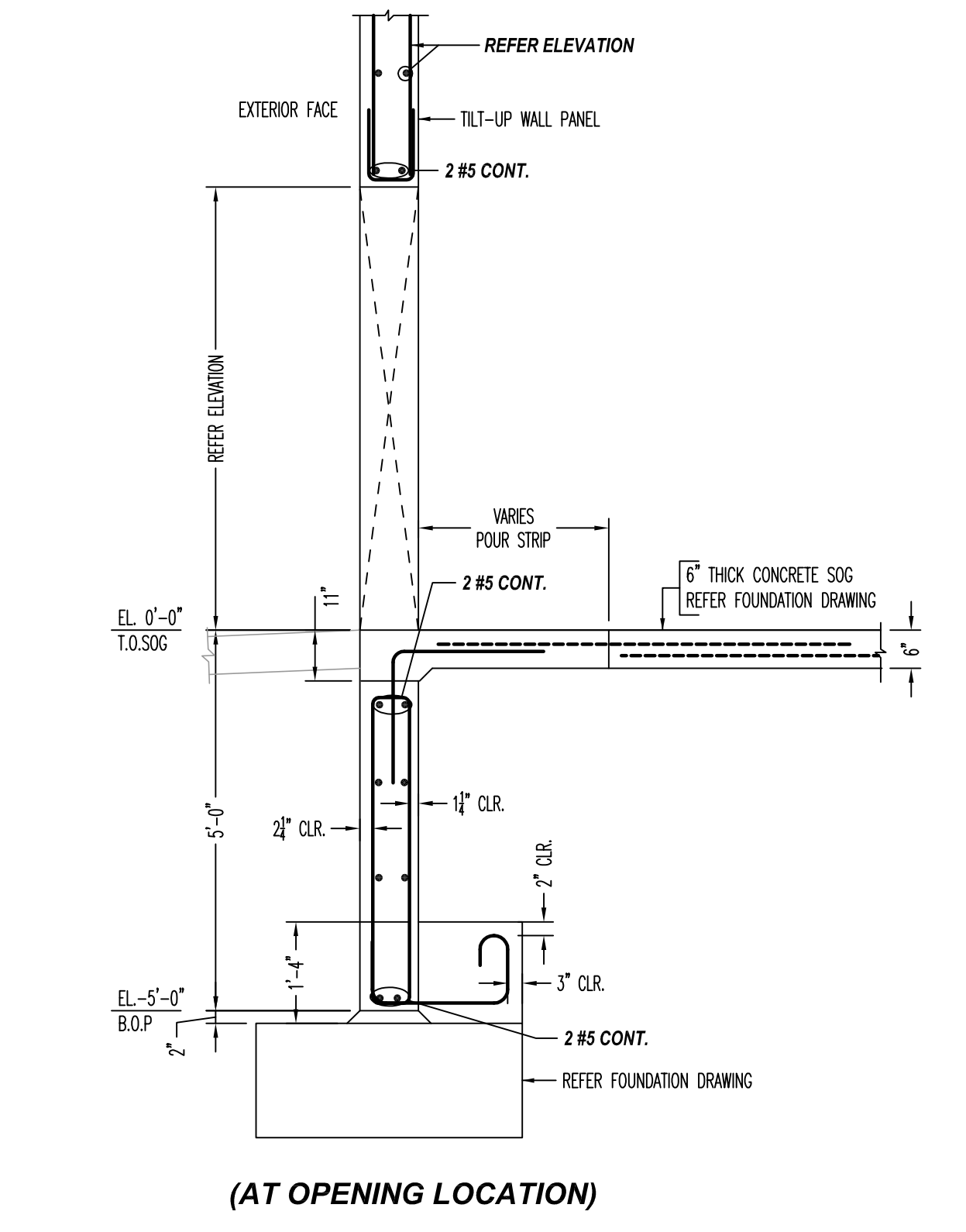
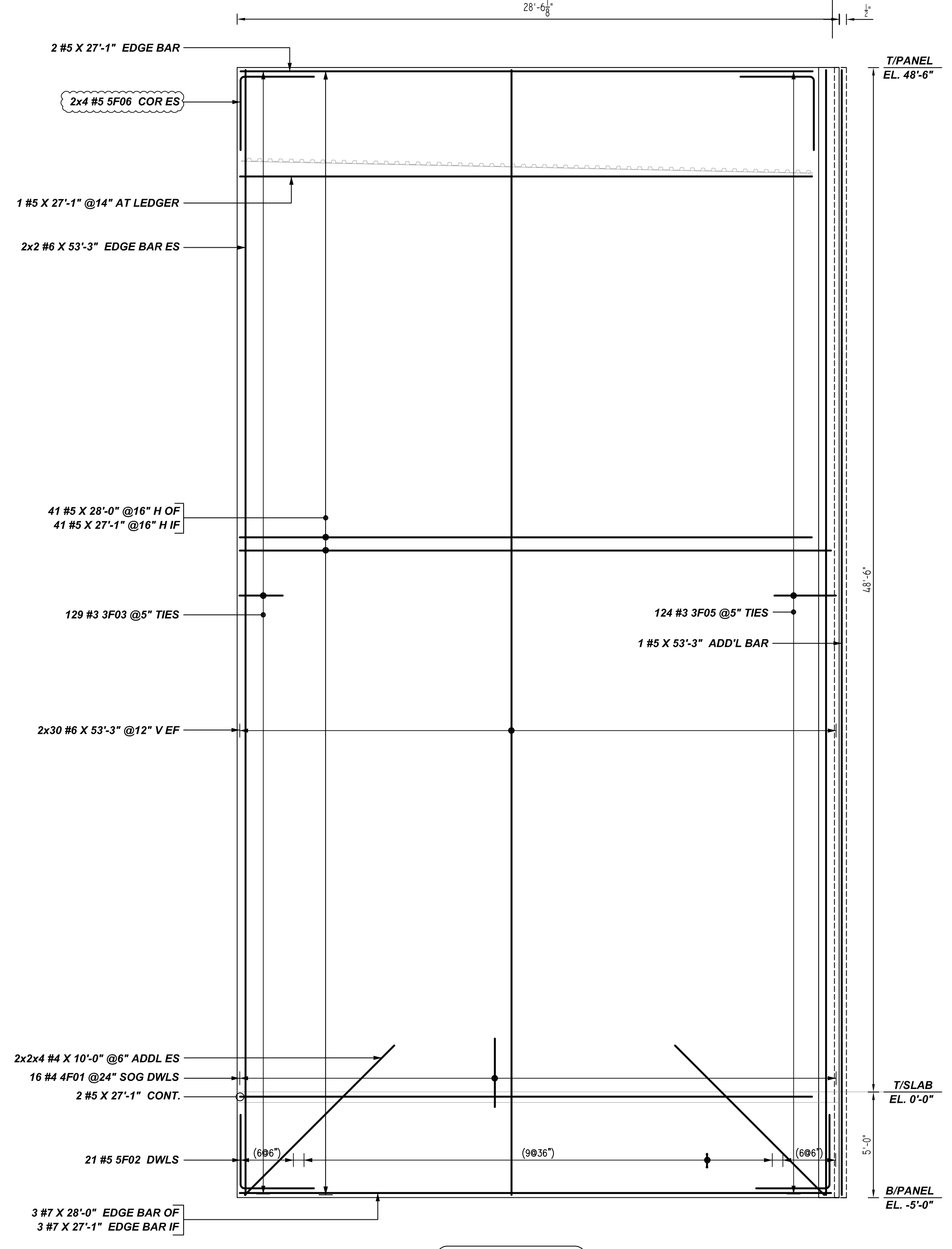
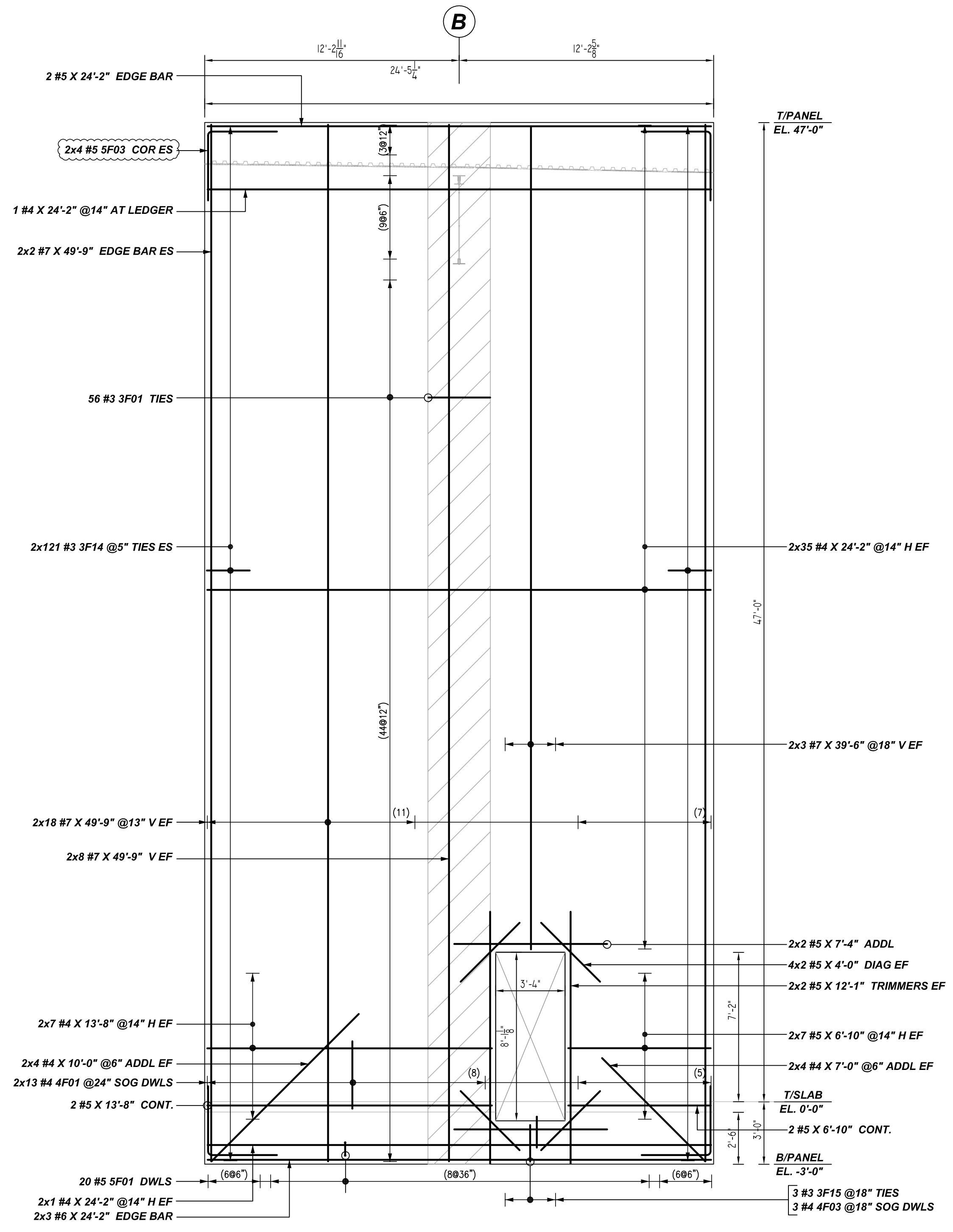
These drawings are for the placement of reinforcing steel only. They are to be used in conjunction with the contract drawings & specifications. Any elevations & dimensions shown on drawings are for detailing purposes only and should not be used for construction unless verified by the engineer or contractor.

FOR APPROVAL	12/14/21
0	

JOB ADDRESS: PALMDALE-XLFC	
CITY/STATE: PALMDALE, CA	
ENGINEER: HSA & ASSOCIATES, INC.	
ARCHITECT: WARE MALCOMB	
CLIENT: GUY YOCOM CONSTRUCTION	

ANTELOPE
AREA#1 WALL PANEL REINFORCEMENT DETAILS

JOB #:	1-147
SHEET #:	R5.006



2 TYPICAL WALL PANEL SECTION DETAILS
REF: 1 & 3/SD2.0 (DT. 08.02.21)
SCALE: 1/2" = 1'-0"

Release Number: R5.007

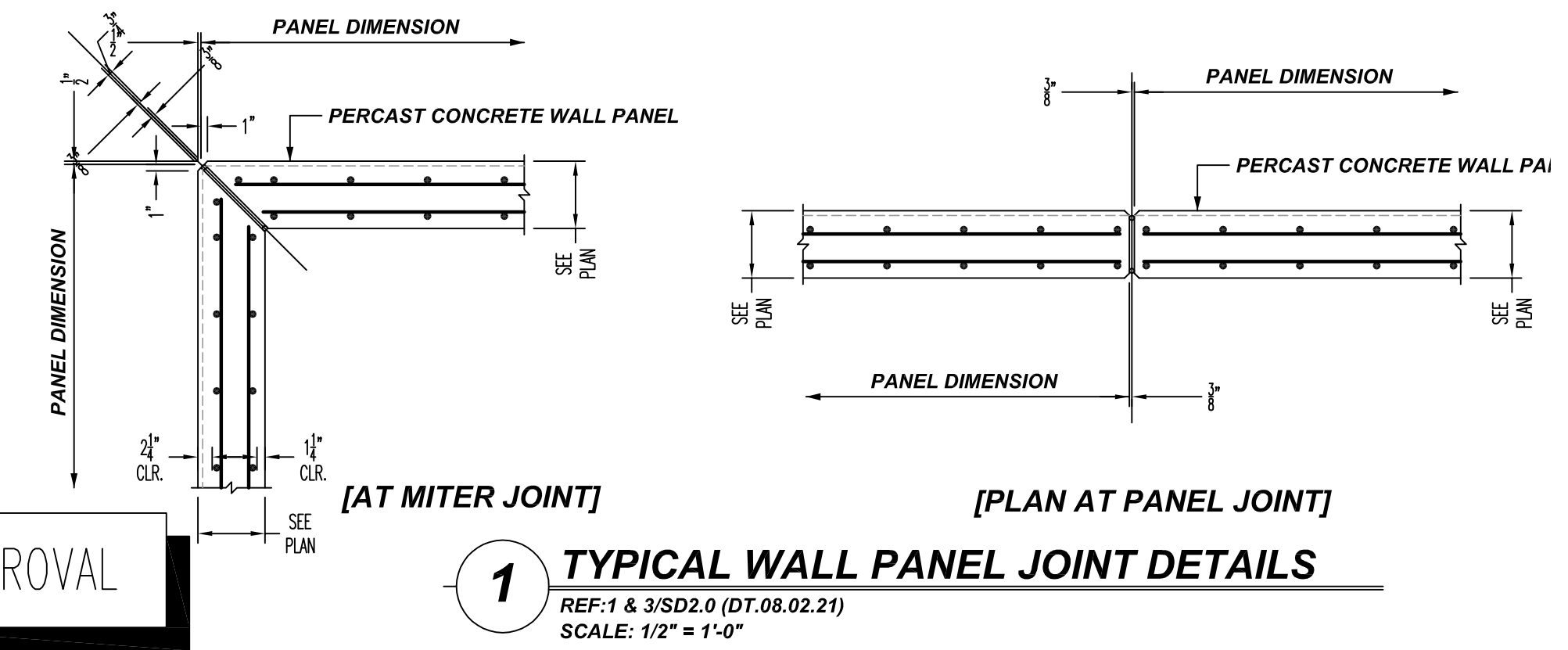
Bar Mark	Qty	Size	Total Length	Type	X'	Y'	X"	Y"	X'''	Y'''	X''''	Y''''
3F01	56	#3	8'-1"	T1	0'-4 X'	0'-8 X'	3'-0"	0'-8 X'	3'-0"	0'-4 X'		
3F03	129	#3	6'-9 X'	T1	0'-4 X'	0'-11 X'	2'-1"	0'-11 X'	2'-1"	0'-4 X'		
3F05	124	#3	7'-10 X'	T8	0'-4 X'	0'-11 X'	1'-3 X'	2'-1"	0'-4 X'	0'-11 X'	0'-10 X'	
3F14	243	#3	6'-4 X'	T1	0'-4 X'	0'-8"	2'-1"	0'-8"	2'-1"	0'-4 X'		
3F15	3	#3	5'-8"	T1	0'-4 X'	1'-9 X'	0'-8 X'	1'-9 X'	0'-8 X'	0'-4 X'		
4F01	42	#4	4'-3"	T7	1'-0"	3'-3"						
4F03	3	#4	4'-0"	T7	1'-0"	2'-8"						
5F01	20	#5	3'-11 X'	S8	0'-7"	0'-8"	2'-0 X'	0'-8"	0'-5"	0'-5"		
5F02	21	#5	4'-2 X'	S8	0'-7"	0'-8"	2'-3 X'	0'-8"	0'-5"	0'-5"		
5F03	8	#5	6'-5"	T7	3'-4"	3'-4"						
5F06	8	#5	7'-0"	T7	3'-5"	3'-5"						

TYPICAL REINFORCING BAR CLEARANCE TABLE

LOCATION	MIN. COVER
WALL PANEL (TOP & BOT)	1 1/2" CLR
WALL PANEL (EXTERIOR)	2 1/4" CLR
WALL PANEL (INTERIOR)	1 1/4" CLR

ALL BARS IN THIS DRAWING
ASTM A615 GRADE 60
BLACK UNCOATED

FOR APPROVAL



FOR APPROVAL	12/14/21
0	

JOB ADDRESS: PALMDALE-XLFC
CITY/STATE: PALMDALE, CA
ENGINEER: HSA & ASSOCIATES, INC.
ARCHITECT: WARE MALCOMB
CLIENT: GUY YOCOM CONSTRUCTION

ANTELOPE
AREA#1 WALL PANEL
REINFORCEMENT DETAILS

JOB #: 1-147
SHEET #: R5.007

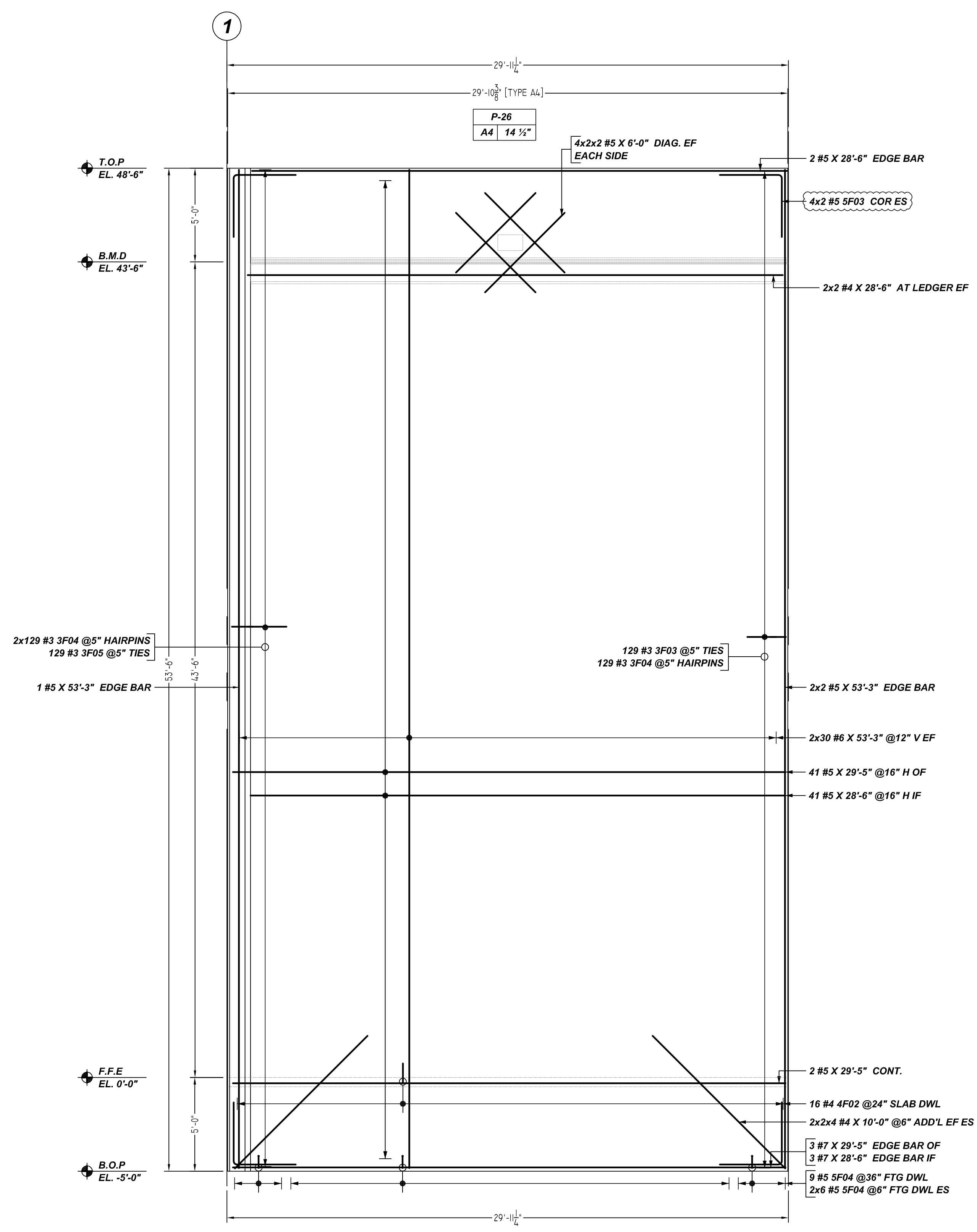
These drawings are for the placement of reinforcing steel only. They are to be used in conjunction with the contract drawings & specifications. Any elevations & dimensions shown on drawings are for detailing purposes only and should not be used for construction unless verified by the engineer or contractor.

FOR APPROVAL	12/14/21
0	

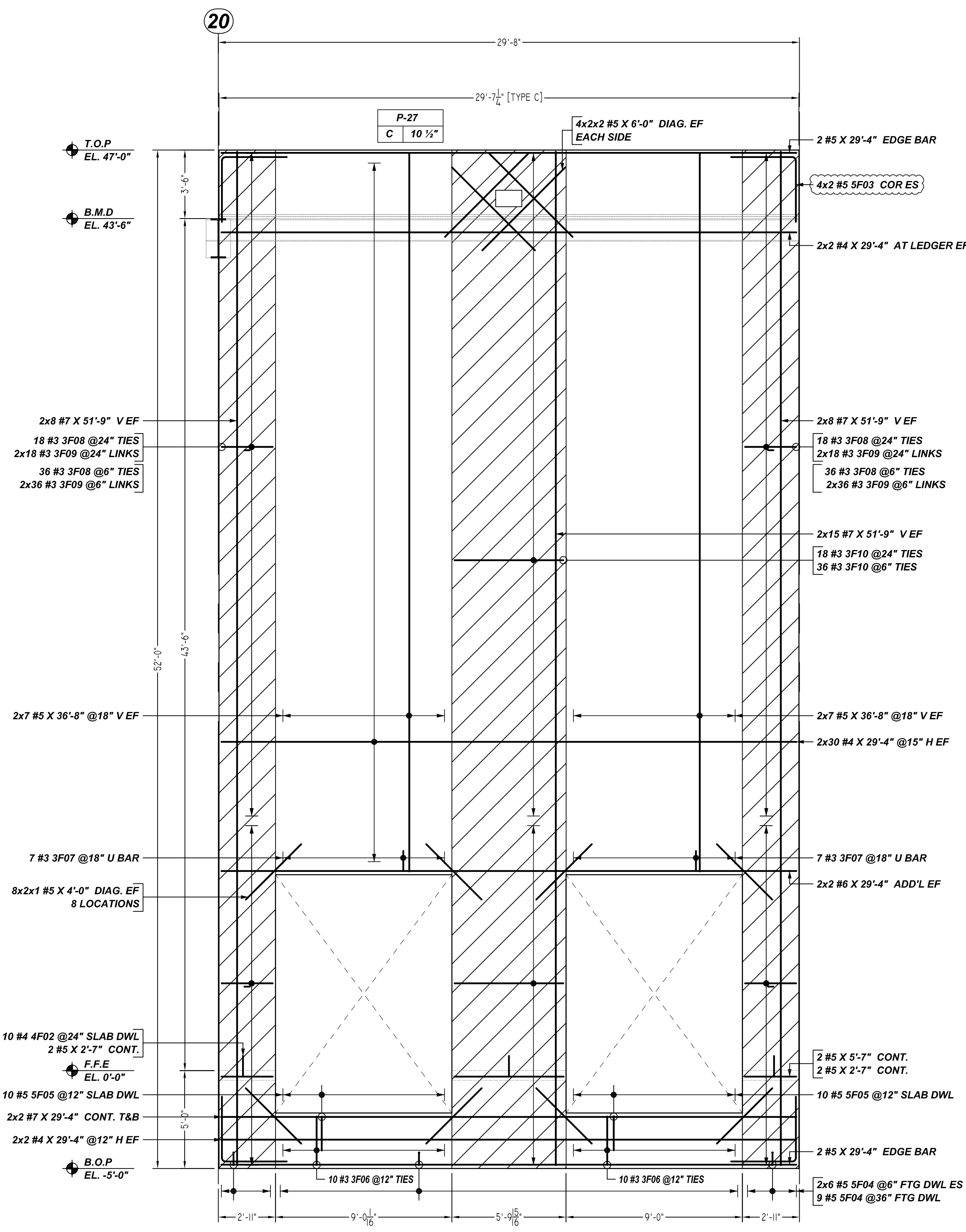
JOB ADDRESS: PALMDALE-XLFC
 CITY/STATE: PALMDALE, CA
 ENGINEER: HSA & ASSOCIATES, INC.
 ARCHITECT: WARE MALCOMB
 CLIENT: GUY YOCOM CONSTRUCTION

ANTELOPE
 AREA#1 WALL PANEL
 REINFORCEMENT DETAILS

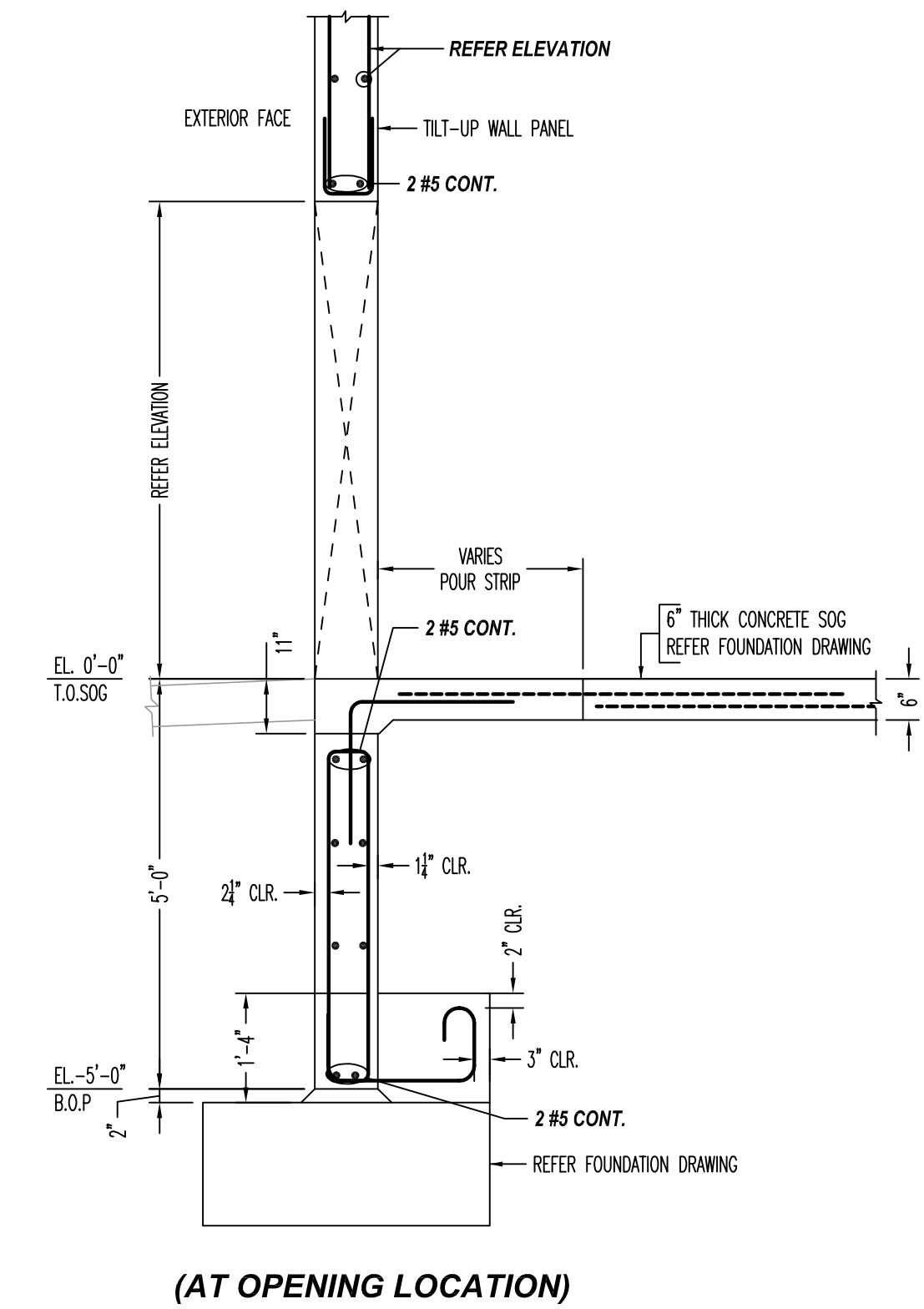
JOB #: 1-147
 SHEET #: R5.008



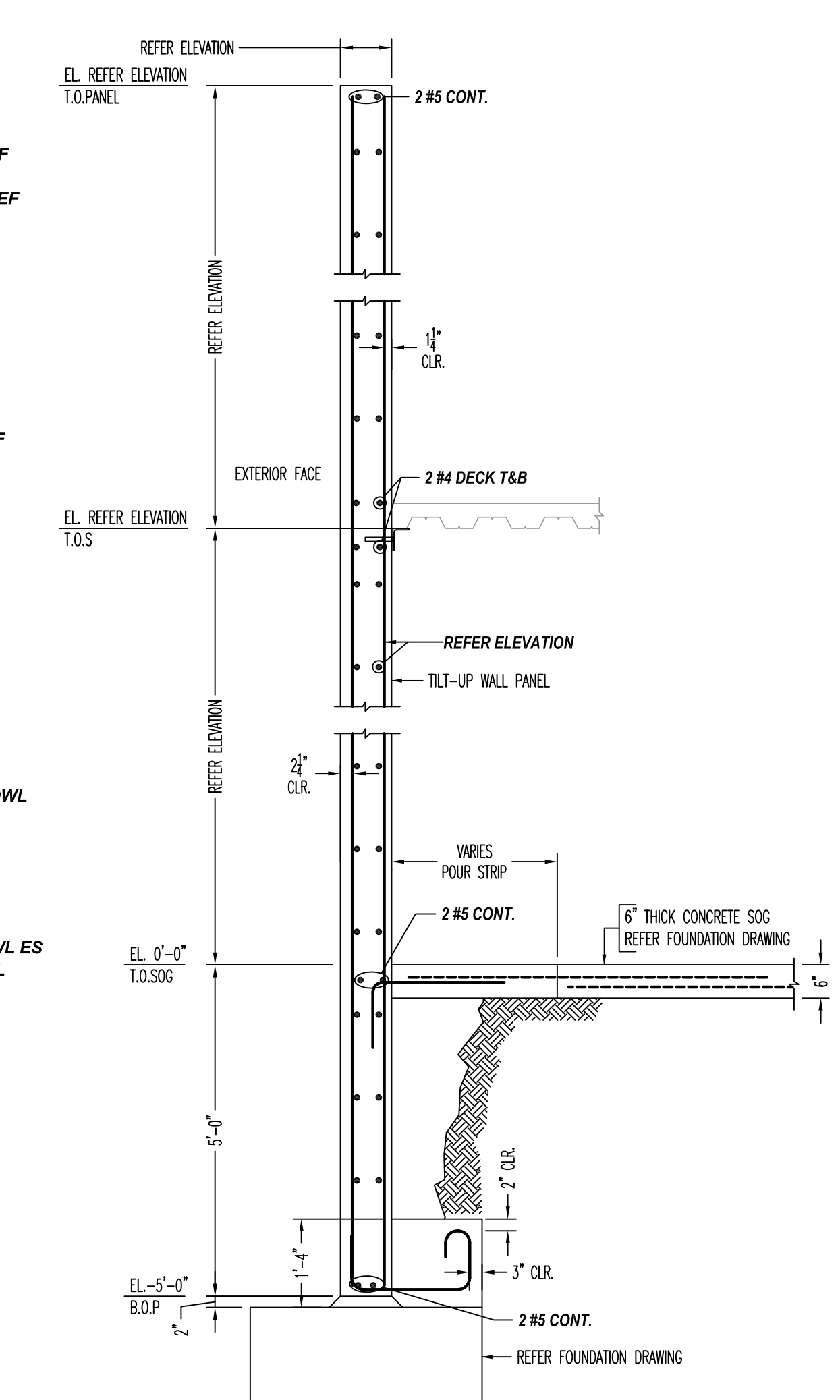
PANEL-26
 REF: S7.2 (DT.08/02/21)
 SCALE: 1/4" = 1'-0"



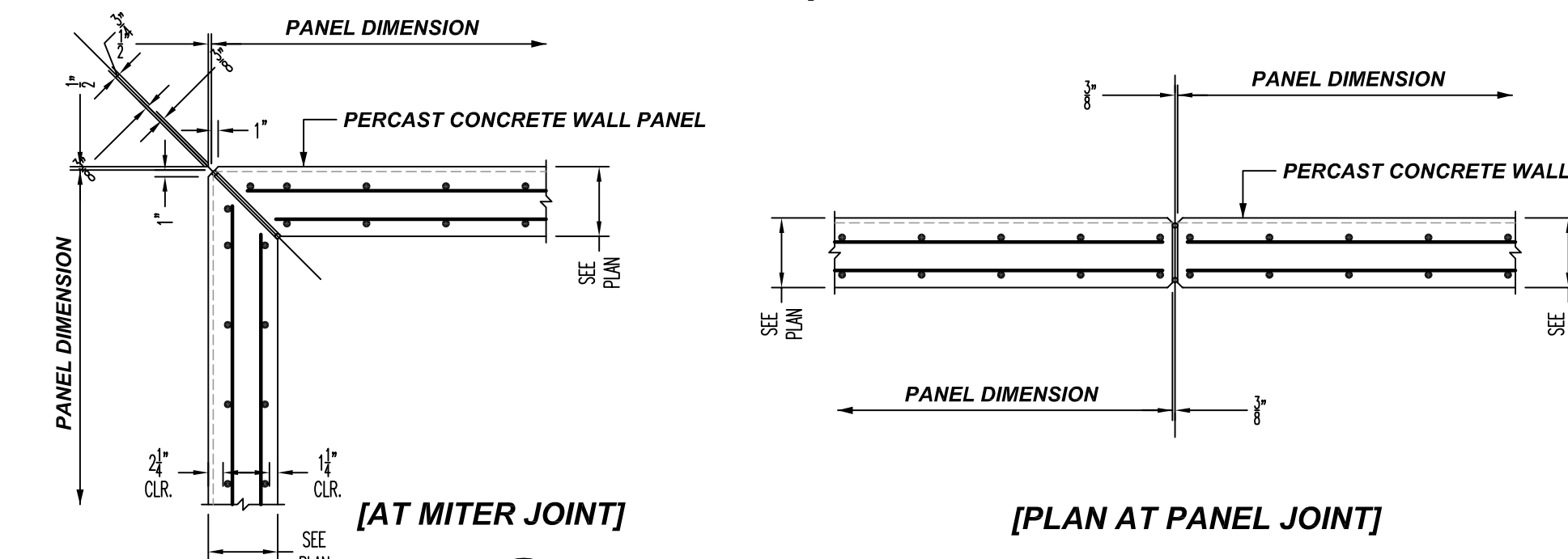
PANEL-27
 REF: S7.2 (DT.08/02/21)
 SCALE: 1/4" = 1'-0"



(AT OPENING LOCATION)



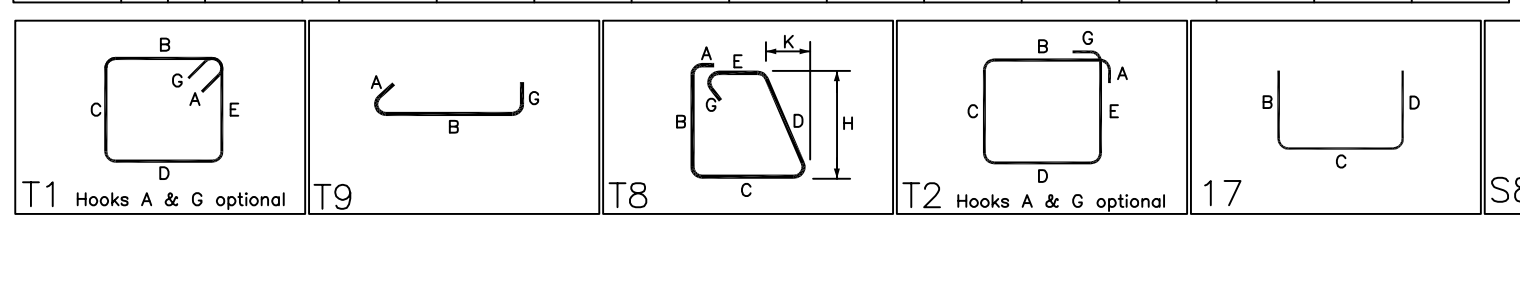
2 TYPICAL WALL PANEL SECTION DETAILS
 REF: 1 & 3/SD2.0 (DT.08.02.21)
 SCALE: 1/2" = 1'-0"



1 TYPICAL WALL PANEL JOINT DETAILS
 REF: 1 & 3/SD2.0 (DT.08.02.21)
 SCALE: 1/2" = 1'-0"

Bar Mark	Qty	Size	Total Length	Type	X	Y	Z	BAR LIST	X	Y	Z	X	Y	Z
3F03	129	#3	6'-9"	T1	0'-4"	0'-11"	2'-1"	0'-11"	0'-4"	2'-1"	0'-4"			
3F04	367	#3	1'-7"	T9	0'-4"	0'-11"	0'-4"	0'-11"	0'-4"	0'-11"	0'-4"			
3F05	129	#3	7'-10"	T8	0'-4"	0'-11"	2'-11"	0'-11"	0'-4"	2'-11"	0'-11"	0'-10"		
3F06	26	#3	6'-11"	T2	0'-4"	0'-7"	2'-6"	0'-7"	0'-4"	2'-6"	0'-7"	0'-4"		
3F07	141	#3	2'-2"	T1	0'-4"	1'-0"	0'-7"	1'-0"	0'-4"	0'-7"	1'-0"	0'-4"		
3F08	108	#3	7'-2"	T1	0'-4"	2'-7"	0'-7"	2'-7"	0'-4"	0'-7"	2'-7"	0'-4"		
3F09	216	#3	1'-3"	T9	0'-4"	0'-7"	0'-7"	0'-7"	0'-4"	0'-7"	0'-7"	0'-4"		
3F10	54	#3	15'-1"	T1	0'-4"	5'-7"	0'-7"	5'-7"	0'-4"	0'-7"	5'-7"	0'-4"		
4F02	26	#4	3'-0"	T7		1'-0"	2'-0"	1'-0"		2'-0"	1'-0"			
5F03	16	#5	6'-8"	T7		3'-4"	3'-4"	3'-4"		3'-4"	3'-4"			
5F04	42	#5	3'-11"	S8	0'-7"	0'-8"	1'-10"	0'-10"	0'-7"	0'-8"	1'-10"	0'-7"	0'-5"	0'-5"
S925	26	#5	3'-9"	T7		1'-9"	2'-0"	1'-9"		2'-0"	1'-9"			

LOCATION	MIN. COVER
WALL PANEL (TOP & BOT)	1 1/2" CLR
WALL PANEL (EXTERIOR)	2 1/4" CLR
WALL PANEL (INTERIOR)	1 1/4" CLR



**ALL BARS IN THIS DRAWING
 ASTM A615 GRADE 60
 BLACK UNCOATED**

FOR APPROVAL

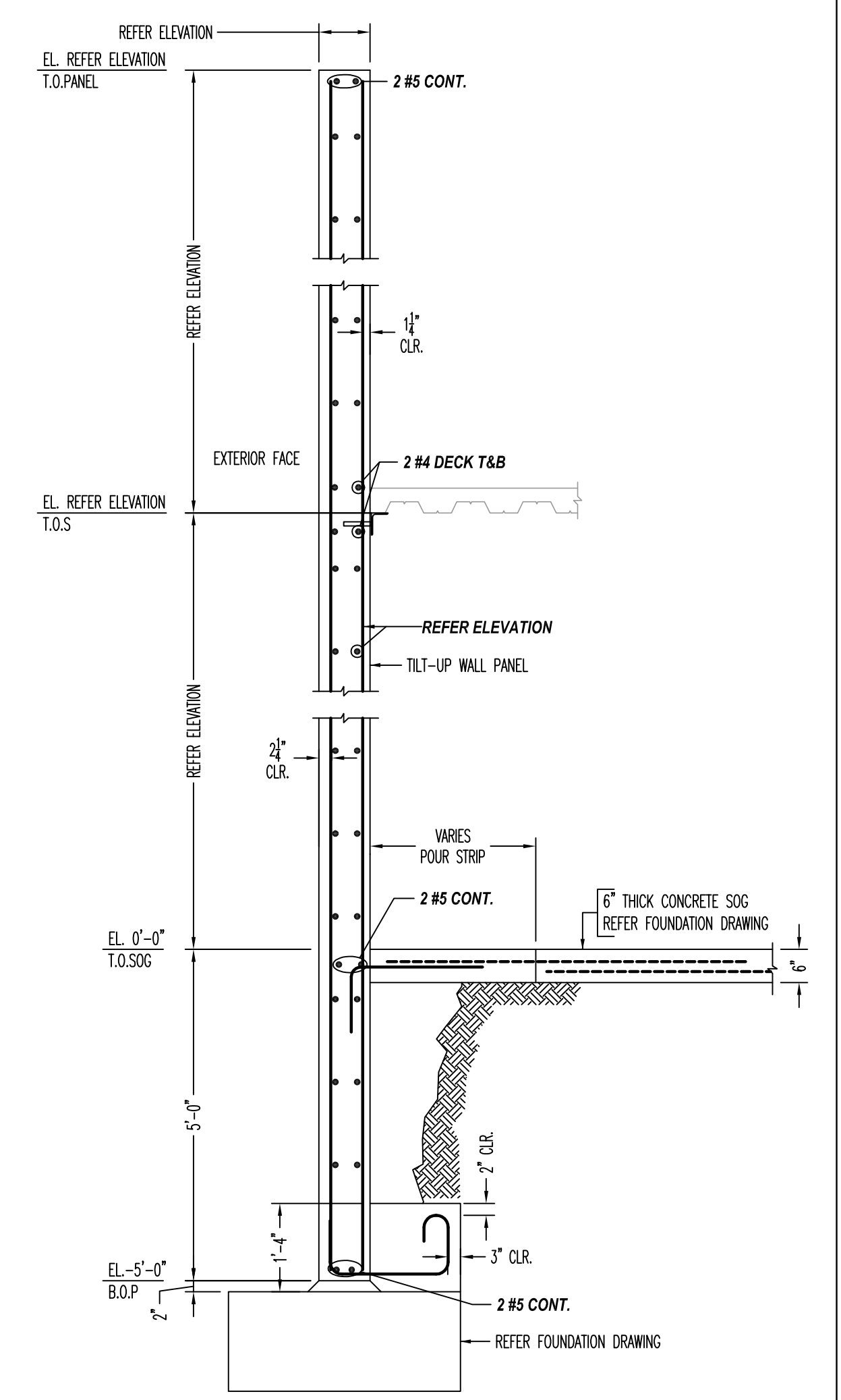
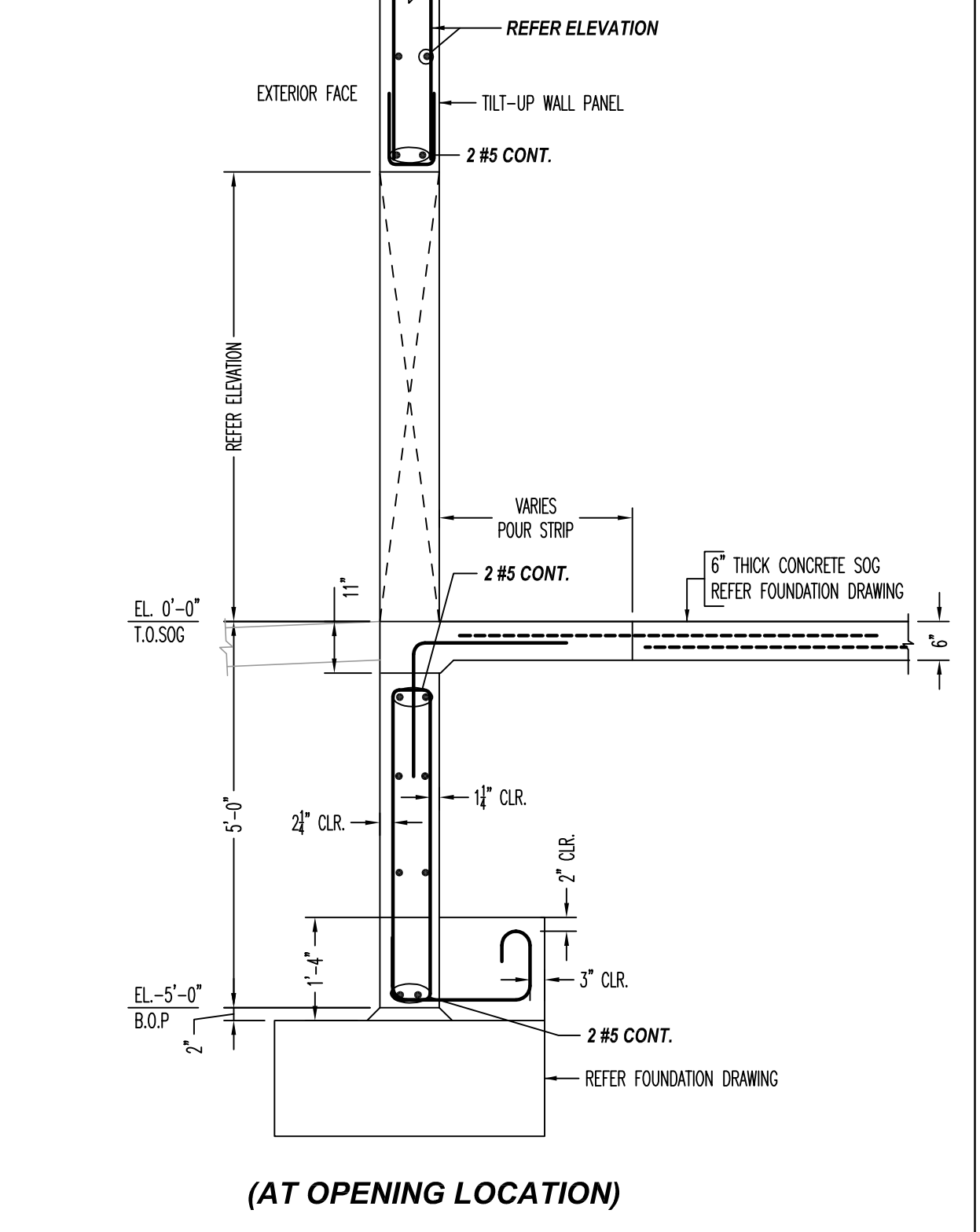
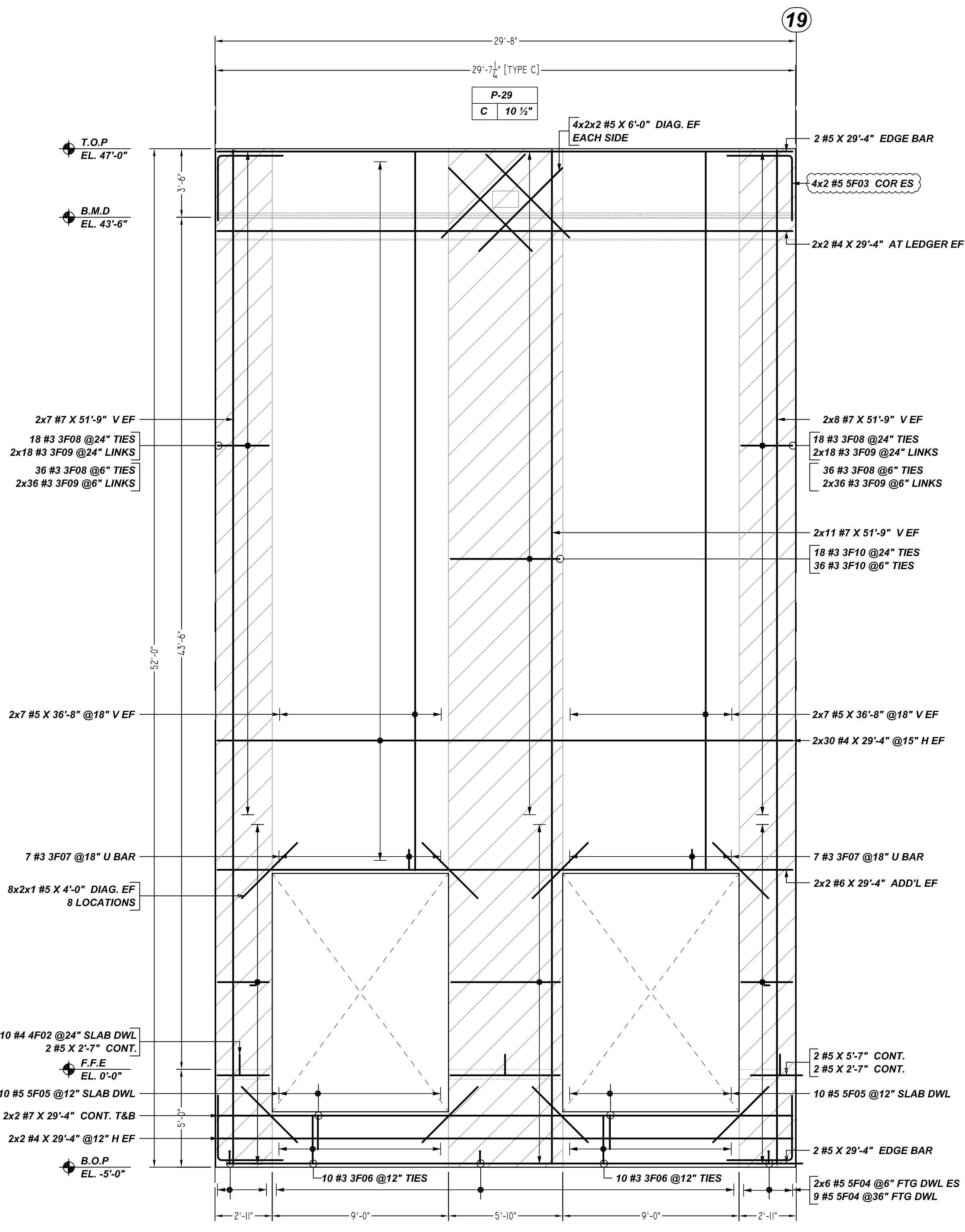
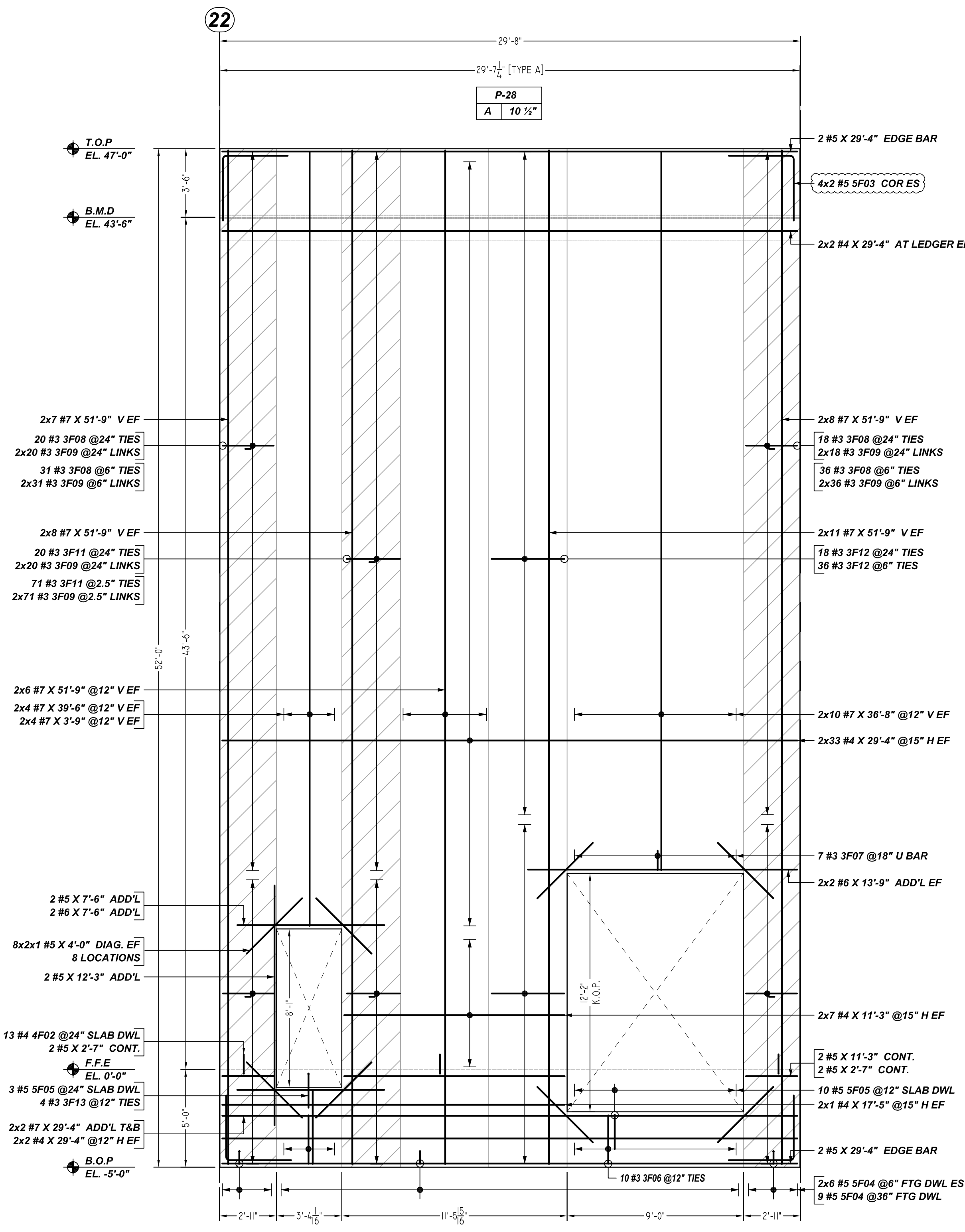
These drawings are for the placement of reinforcing steel only. They are to be used in conjunction with the contract drawings & specifications. Any elevations & dimensions shown on drawings are for detailing purposes only and should not be used for construction unless verified by the engineer or contractor.

FOR APPROVAL 12/14/21

JOB ADDRESS: PALMDALE-XLFC
 CITY/STATE: PALMDALE, CA
 ENGINEER: HSA & ASSOCIATES, INC.
 ARCHITECT: WARE MALCOMB
 CLIENT: GUY YOCOM CONSTRUCTION

ANTELOPE
 AREA#1 WALL PANEL
 REINFORCEMENT DETAILS

JOB #: 1-147
 SHEET #: R5.009



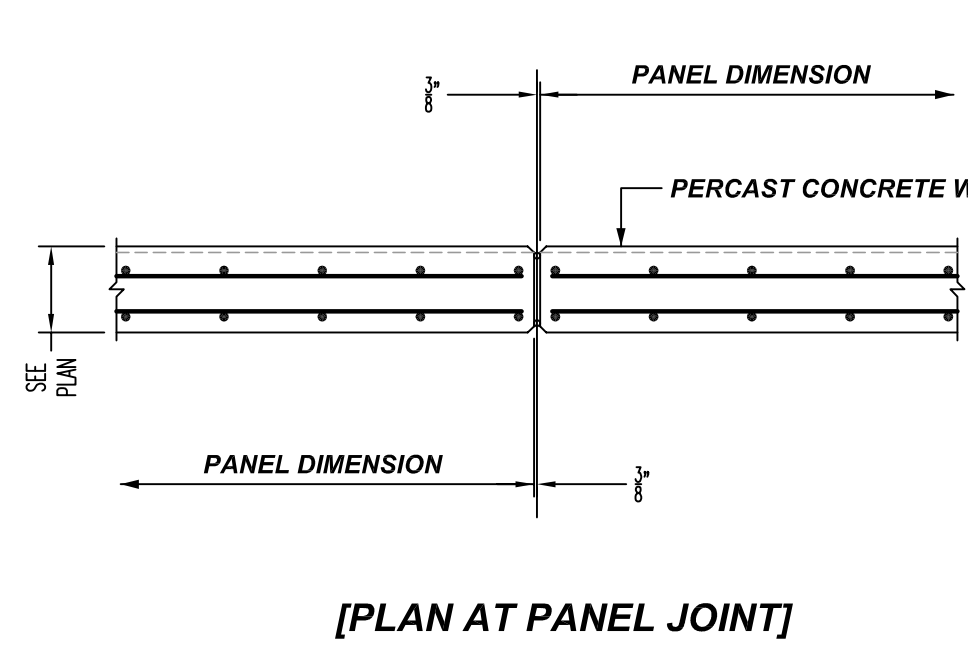
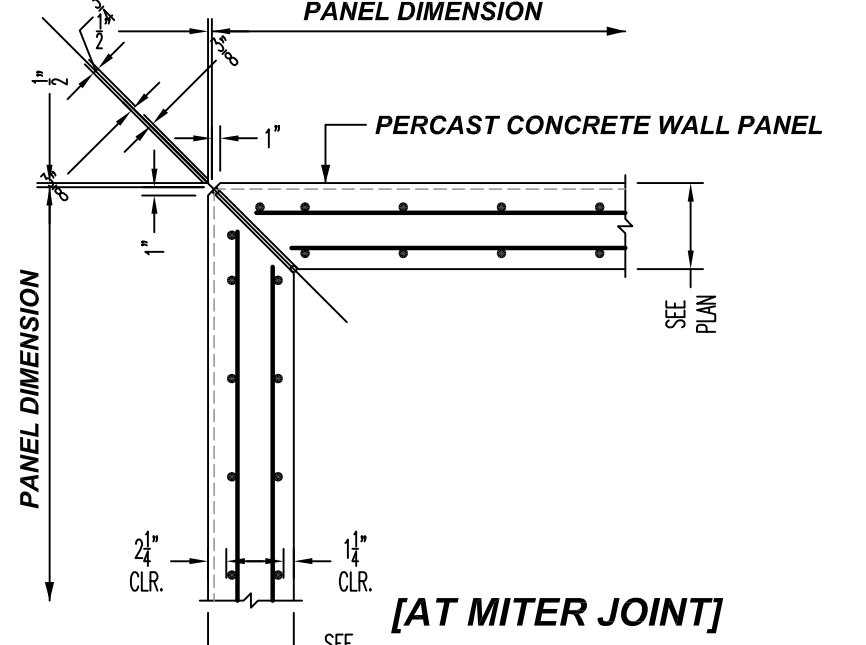
2 TYPICAL WALL PANEL SECTION DETAILS
 REF: 1 & 3/SD2.0 (DT.08.02.21)
 SCALE: 1/2" = 1'-0"

Bar Mark	Qty	Size	Total Length	Type	X'	Y'	Z'	BRG LIST	X'	Y'	Z'	W'	V'	U'	W'	V'	U'
3F06	30	#5	6'-11"	T2	0'-4"	0'-7.5"	2'-4"	0'-7.5"	2'-4"	0'-4"	0'-4"	0'-4"	0'-4"	0'-4"	0'-4"	0'-4"	0'-4"
3F07	21	#5	2'-7"	T1	0'-4"	1'-0"	0'-7"	1'-0"	0'-4"	0'-4"	0'-4"	0'-4"	0'-4"	0'-4"	0'-4"	0'-4"	0'-4"
3F08	213	#5	7'-2"	T1	0'-4"	0'-7.5"	0'-7.5"	0'-7.5"	0'-7.5"	0'-4"	0'-4"	0'-4"	0'-4"	0'-4"	0'-4"	0'-4"	0'-4"
3F09	608	#5	1'-3.5"	T9	0'-4"	0'-7.5"	0'-7.5"	0'-7.5"	0'-7.5"	0'-4"	0'-4"	0'-4"	0'-4"	0'-4"	0'-4"	0'-4"	0'-4"
3F10	54	#5	13'-1"	T1	0'-4"	5'-7"	0'-7.5"	5'-7"	0'-7.5"	0'-4"	0'-4"	0'-4"	0'-4"	0'-4"	0'-4"	0'-4"	0'-4"
3F11	91	#5	7'-5"	T1	0'-4"	2'-9"	0'-7.5"	2'-9"	0'-7.5"	0'-4"	0'-4"	0'-4"	0'-4"	0'-4"	0'-4"	0'-4"	0'-4"
3F12	54	#5	9'-5"	T1	0'-4"	3'-9"	0'-7.5"	3'-9"	0'-7.5"	0'-4"	0'-4"	0'-4"	0'-4"	0'-4"	0'-4"	0'-4"	0'-4"
3F13	4	#5	7'-7"	T2	0'-4"	0'-11.5"	2'-4"	0'-11.5"	2'-4"	0'-4"	0'-4"	0'-4"	0'-4"	0'-4"	0'-4"	0'-4"	0'-4"
4F02	23	#4	3'-0"	T1	0'-4"	1'-0"	2'-0"	1'-0"	2'-0"	0'-4"	0'-4"	0'-4"	0'-4"	0'-4"	0'-4"	0'-4"	0'-4"
5F03	16	#5	6'-8"	T1	0'-4"	3'-4"	3'-4"	3'-4"	3'-4"	0'-4"	0'-4"	0'-4"	0'-4"	0'-4"	0'-4"	0'-4"	0'-4"
5F04	42	#5	3'-11"	S8	0'-7"	0'-8"	1'-10"	0'-8"	1'-10"	0'-5"	0'-5"	0'-5"	0'-5"	0'-5"	0'-5"	0'-5"	0'-5"
5F05	33	#5	3'-9"	T1	0'-4"	1'-9"	2'-0"	1'-9"	2'-0"	0'-4"	0'-4"	0'-4"	0'-4"	0'-4"	0'-4"	0'-4"	0'-4"

LOCATION	MIN. COVER
WALL PANEL (TOP & BOT)	1 1/2" CLR
WALL PANEL (EXTERIOR)	2 1/4" CLR
WALL PANEL (INTERIOR)	1 1/4" CLR

**ALL BARS IN THIS DRAWING
 ASTM A615 GRADE 60
 BLACK UNCOATED**

FOR APPROVAL



1 TYPICAL WALL PANEL JOINT DETAILS
 REF: 1 & 3/SD2.0 (DT.08.02.21)
 SCALE: 1/2" = 1'-0"

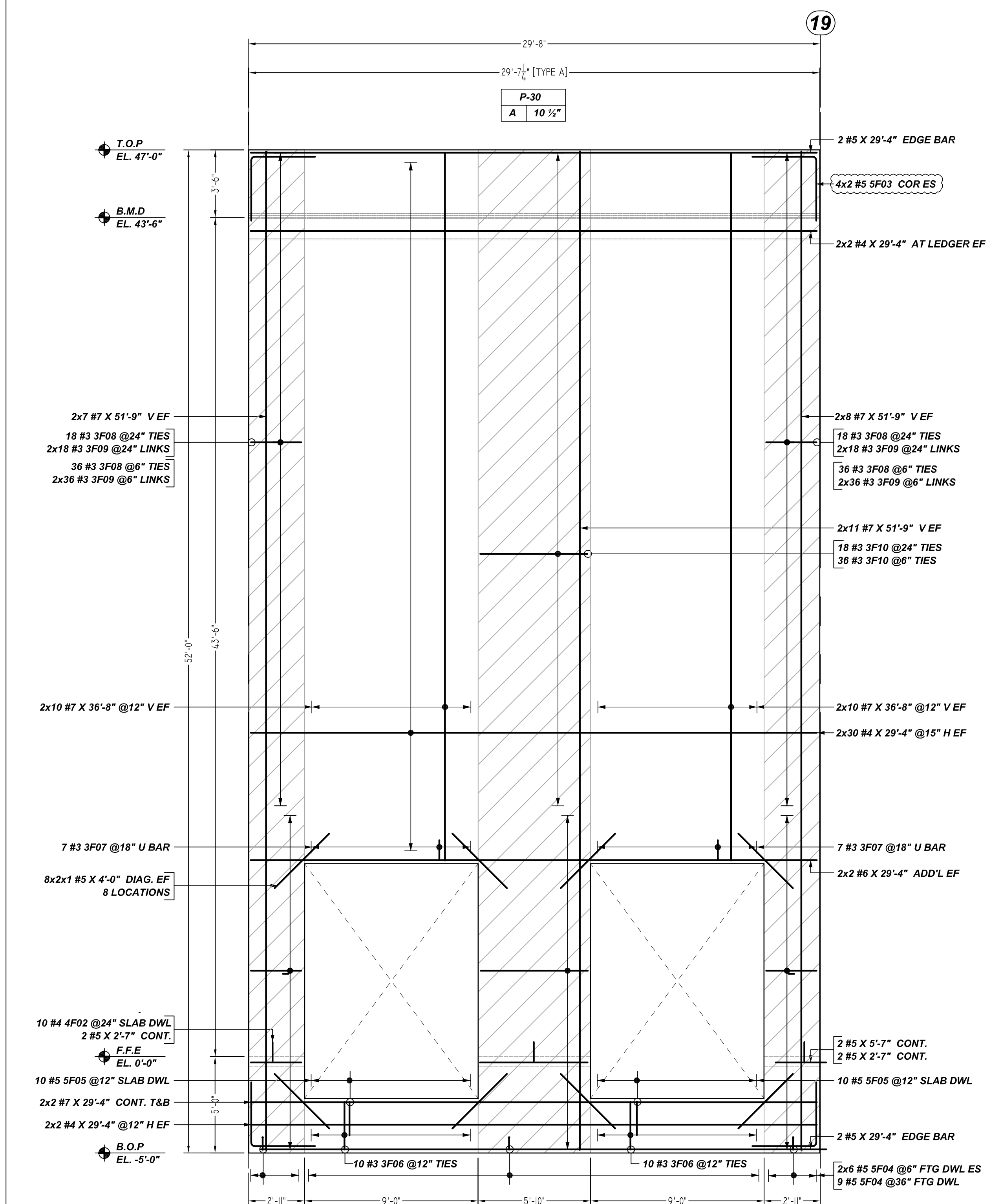
These drawings are for the placement of reinforcing steel only. They are to be used in conjunction with the contract drawings & specifications. Any elevations & dimensions shown on drawings are for detailing purposes only and should not be used for construction unless verified by the engineer or contractor.

FOR APPROVAL	12/14/21
0	

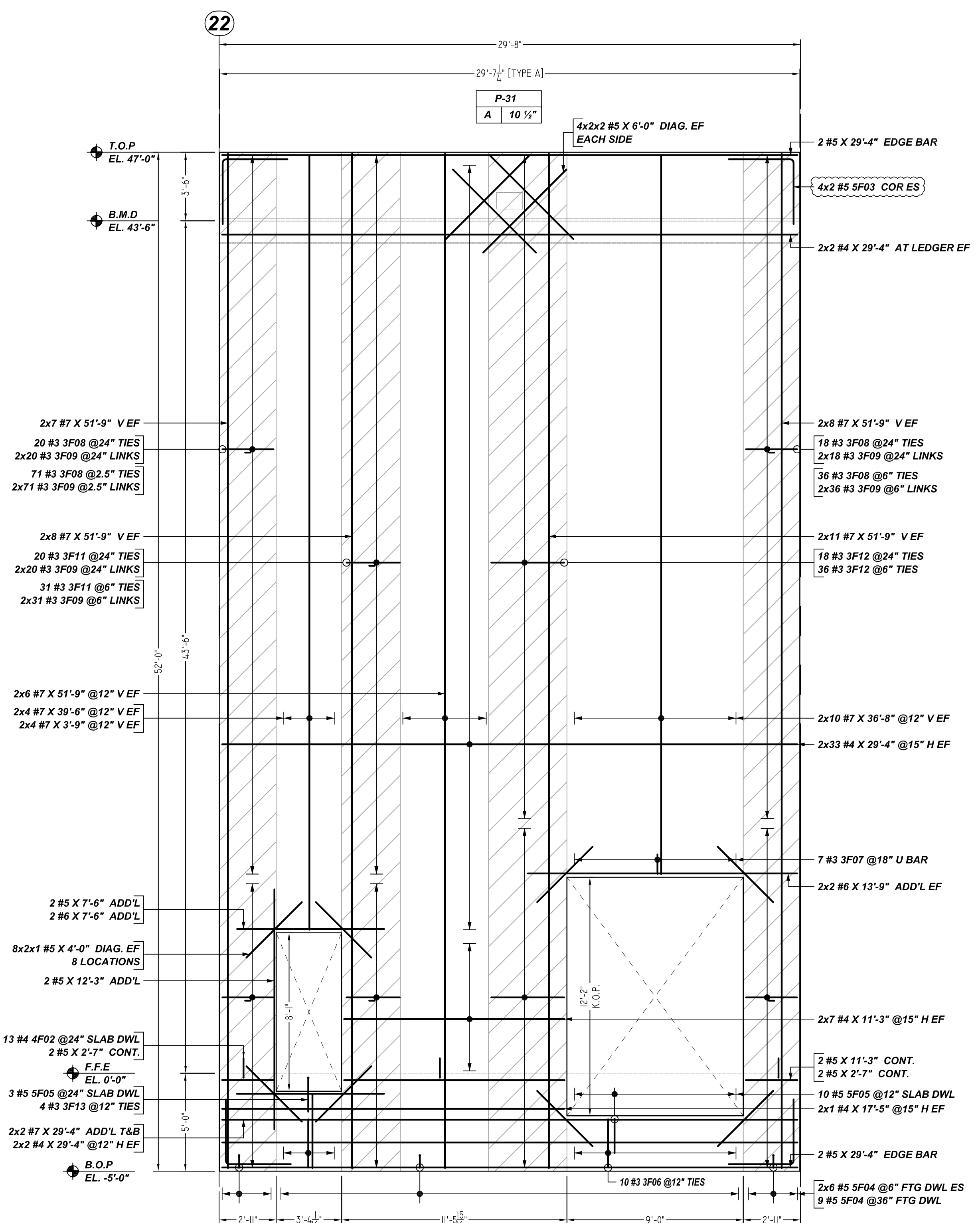
JOB ADDRESS:	PALMDALE-XLFC
CITY/STATE:	PALMDALE, CA
ENGINEER:	HSA & ASSOCIATES, INC.
ARCHITECT:	WARE MALCOMB
CLIENT:	GUY YOCCOM CONSTRUCTION

ANTELOPE
AREA#1 WALL PANEL
REINFORCEMENT DETAILS

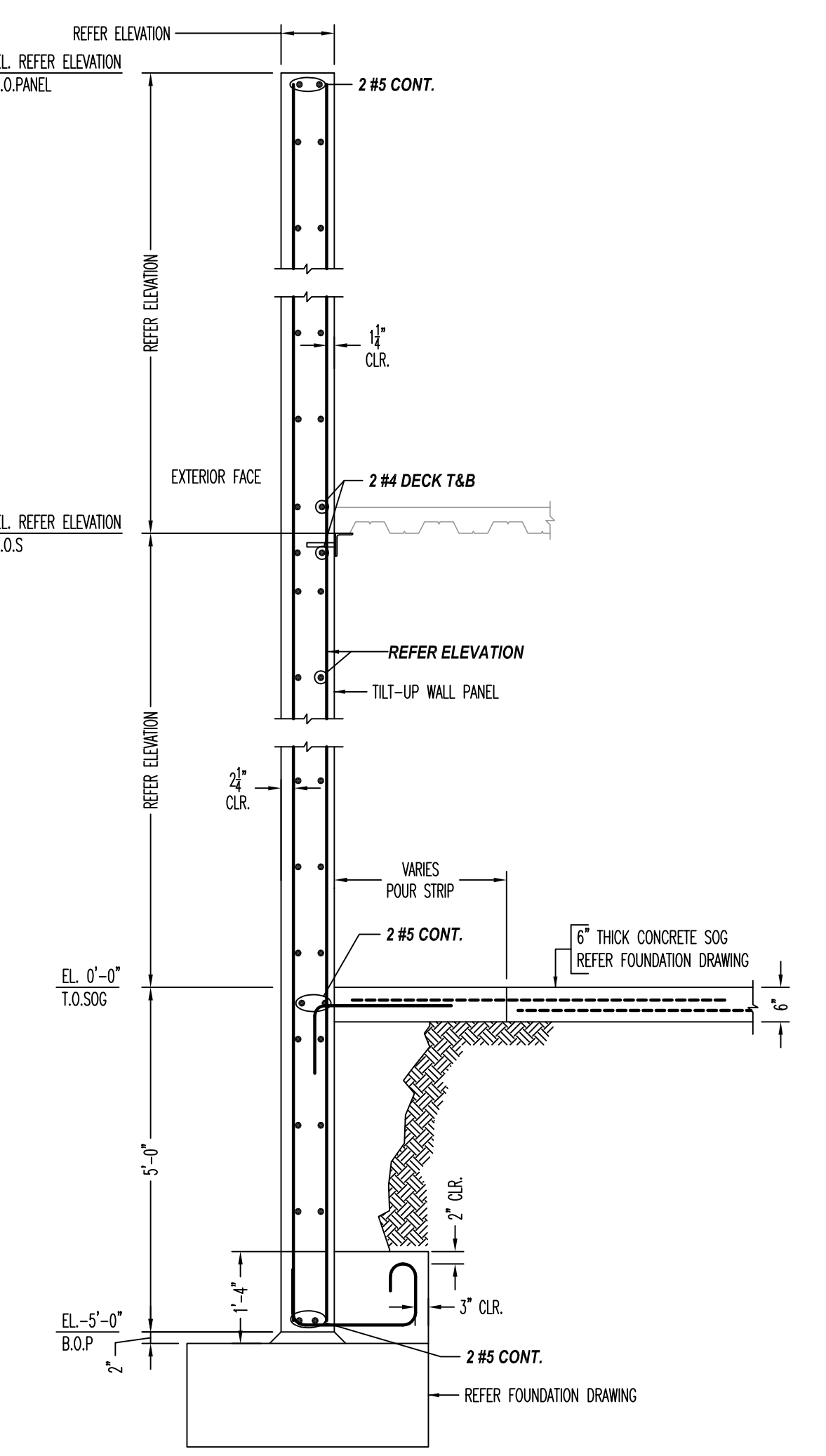
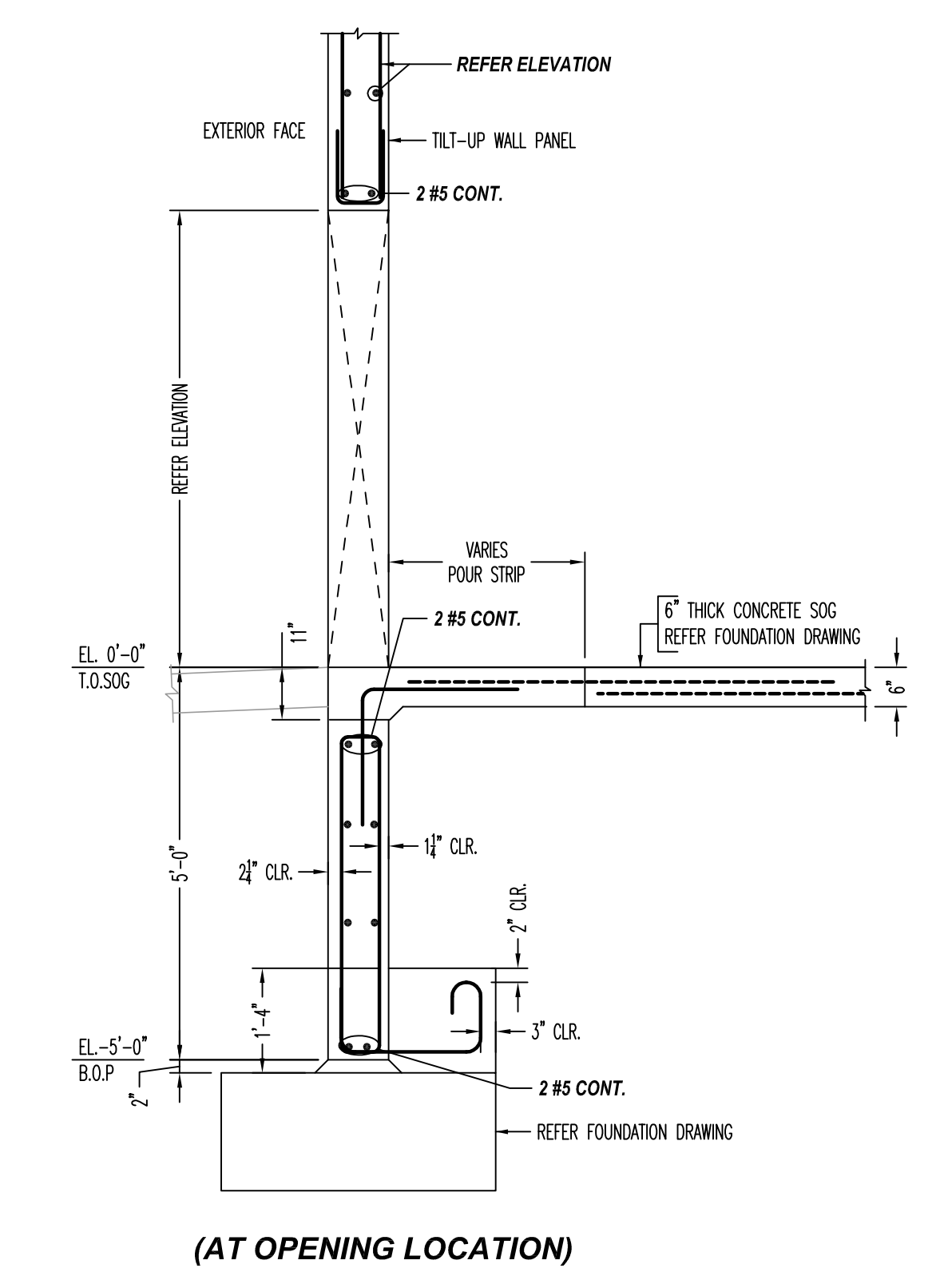
JOB #:	1-147
SHEET #:	R5.010



PANEL-30
REF: S7.2 (DT.08/02/21)
SCALE: 1/4" = 1'-0"



PANEL-31
REF: S7.2 (DT.08/02/21)
SCALE: 1/4" = 1'-0"



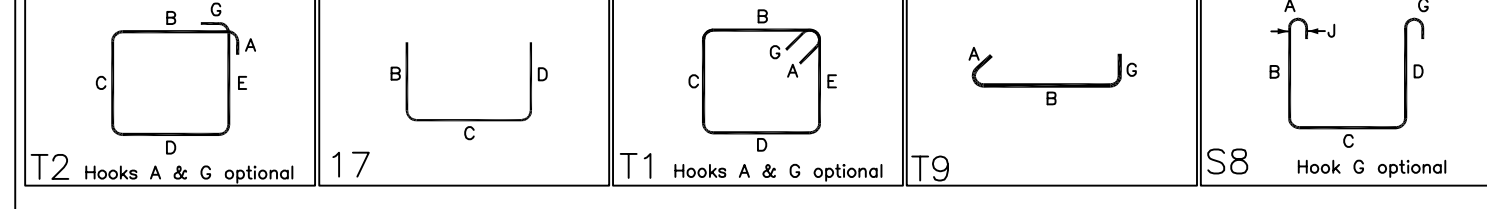
2 TYPICAL WALL PANEL SECTION DETAILS
REF: 1 & 3/SD2.0 (DT.08.02.21)
SCALE: 1/2" = 1'-0"

Release Number: R5.010

Bar Mark	Qty	Total Length	Sp	X	Y	Z	W	V	U	T	S	R	Q	P	O	N	M	L	K	J	I	H	G	F	E	D	C	B	A
3F06	30	6'-11 1/2"	12	0'-4"	0'-7 1/2"	2'-6"	0'-7 1/2"	2'-6"	0'-4"																				
3F07	21	2'-7 1/2"	17	1'-0"	0'-7"	1'-0"	0'-7"	1'-0"																					
3F08	253	7'-2 1/2"	11	0'-4"	2'-7 1/2"	0'-7 1/2"	0'-7 1/2"	0'-7 1/2"	0'-4"																				
3F09	608	1'-3 1/2"	19	0'-4"	0'-7 1/2"	0'-4"	0'-7 1/2"	0'-4"	0'-7 1/2"																				
3F10	54	15'-11 1/2"	11	0'-4"	5'-7"	0'-7 1/2"	0'-7 1/2"	0'-7 1/2"	0'-4"																				
3F11	51	7'-5 1/2"	11	0'-4"	2'-9"	0'-7 1/2"	2'-9"	0'-7 1/2"	0'-4"																				
3F12	54	9'-5 1/2"	11	0'-4"	3'-9"	0'-7 1/2"	3'-9"	0'-7 1/2"	0'-4"																				
3F13	4	7'-7 1/2"	12	0'-4"	0'-11 1/2"	2'-6"	0'-11 1/2"	2'-6"	0'-4"																				
4F02	23	5'-0 1/2"	17	1'-0"	2'-0"	1'-0"	2'-0"	1'-0"																					
5F03	16	6'-8 1/2"	17	3'-4"	3'-4"	3'-4"	3'-4"	3'-4"																					
5F04	42	5'-11 3/8"	18	0'-7"	0'-8"	1'-10"	0'-10"	0'-7"	0'-5"	0'-5"																			
5F05	33	5'-7 1/2"	17	1'-9"	2'-0"	1'-9"	2'-0"	1'-9"																					

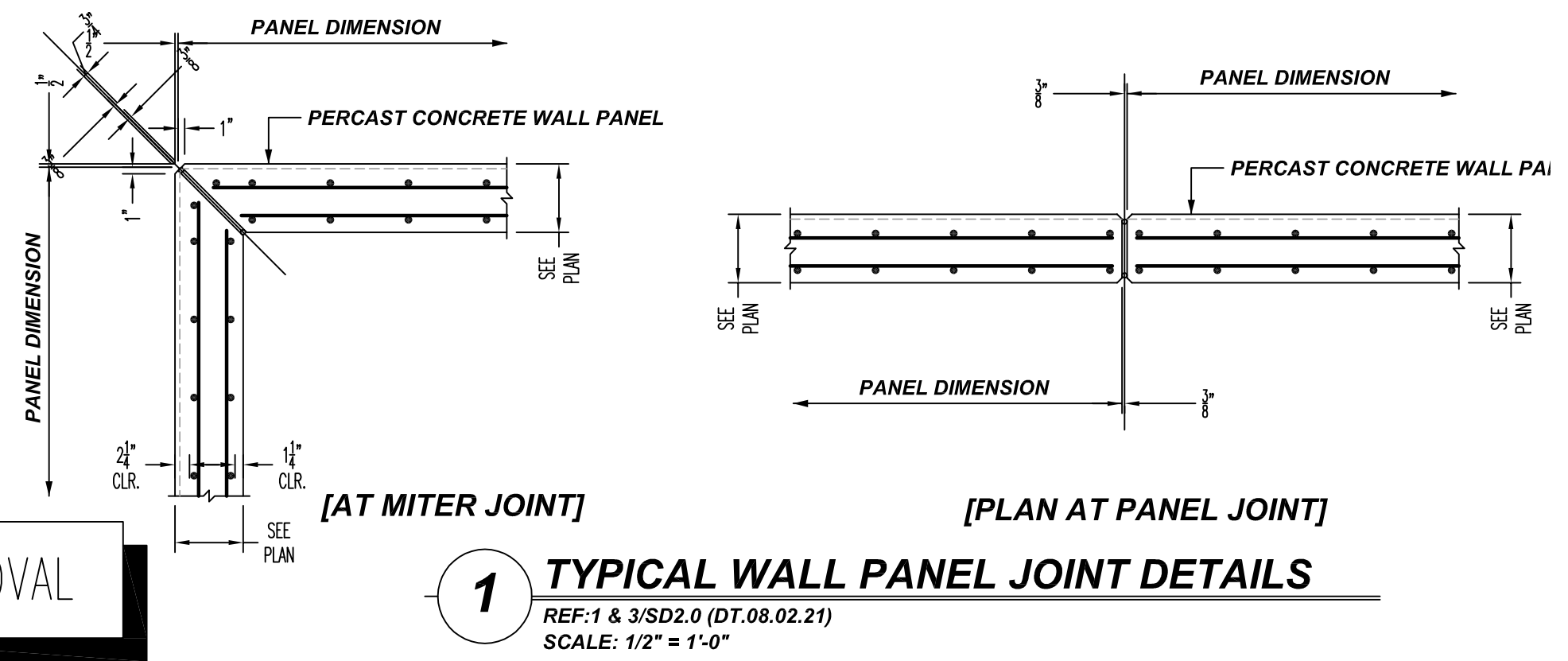
TYPICAL REINFORCING BAR CLEARANCE TABLE

LOCATION	MIN. COVER
WALL PANEL (TOP & BOT)	1 1/2" CLR
WALL PANEL (EXTERIOR)	2 1/4" CLR
WALL PANEL (INTERIOR)	1 1/4" CLR

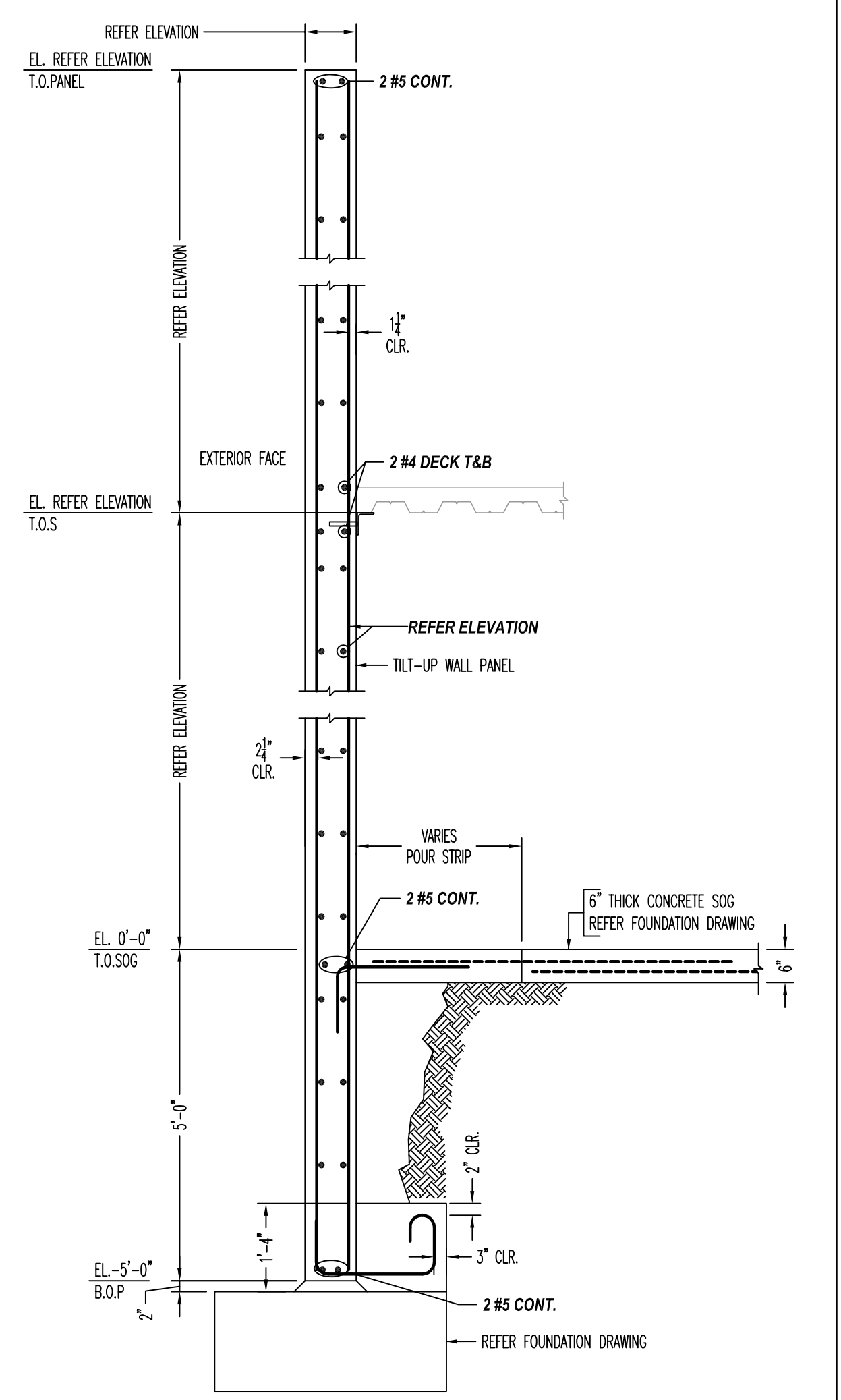
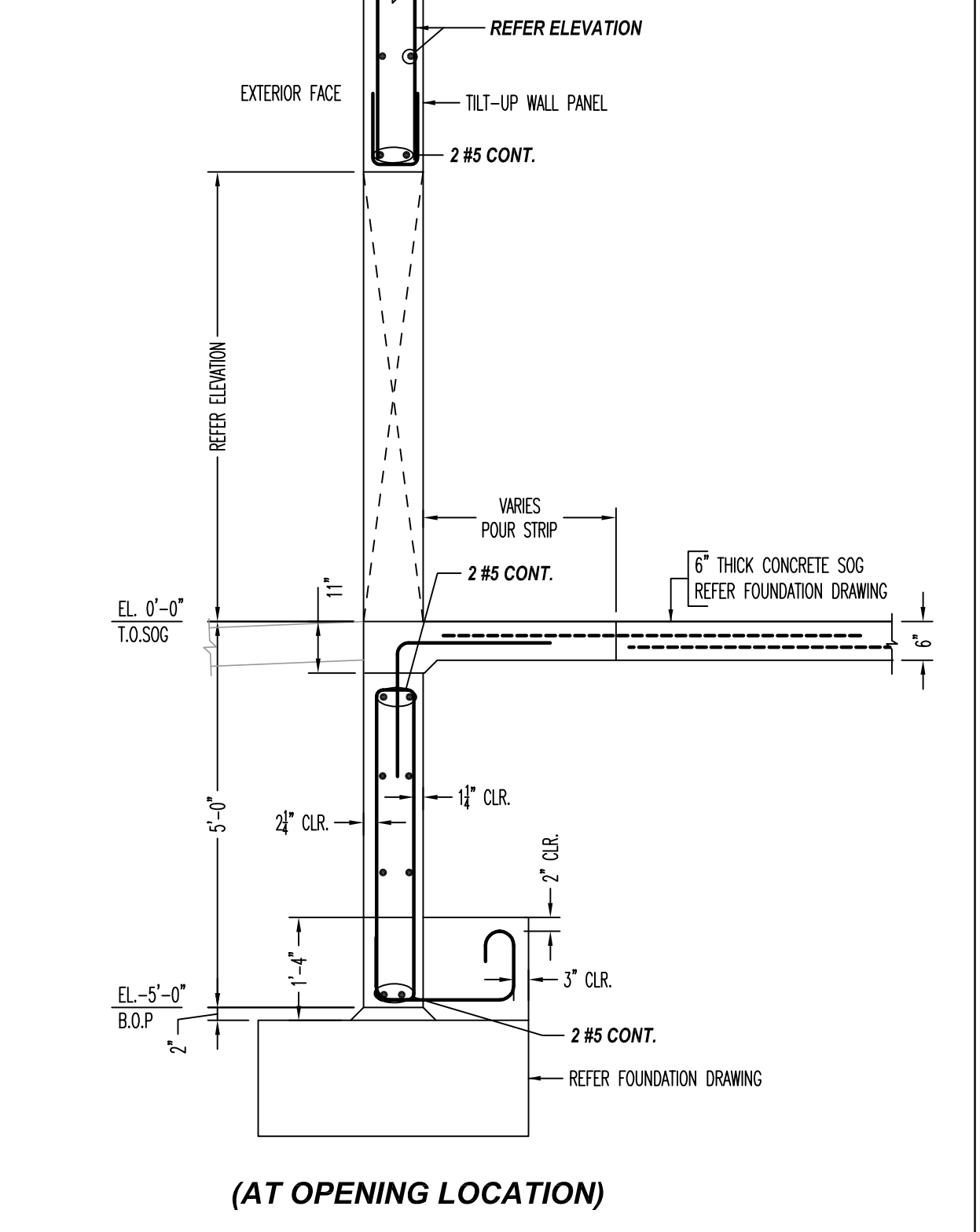
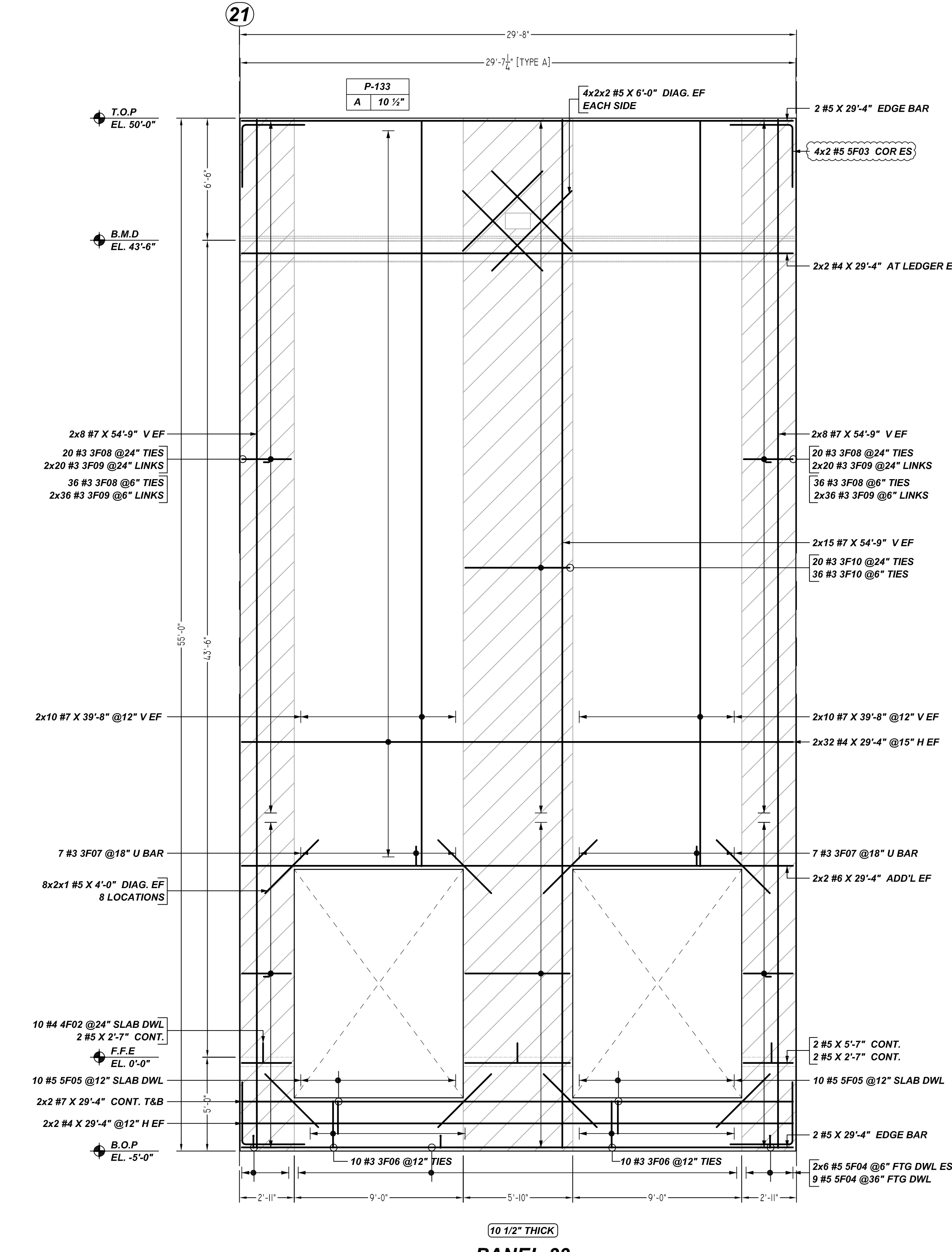
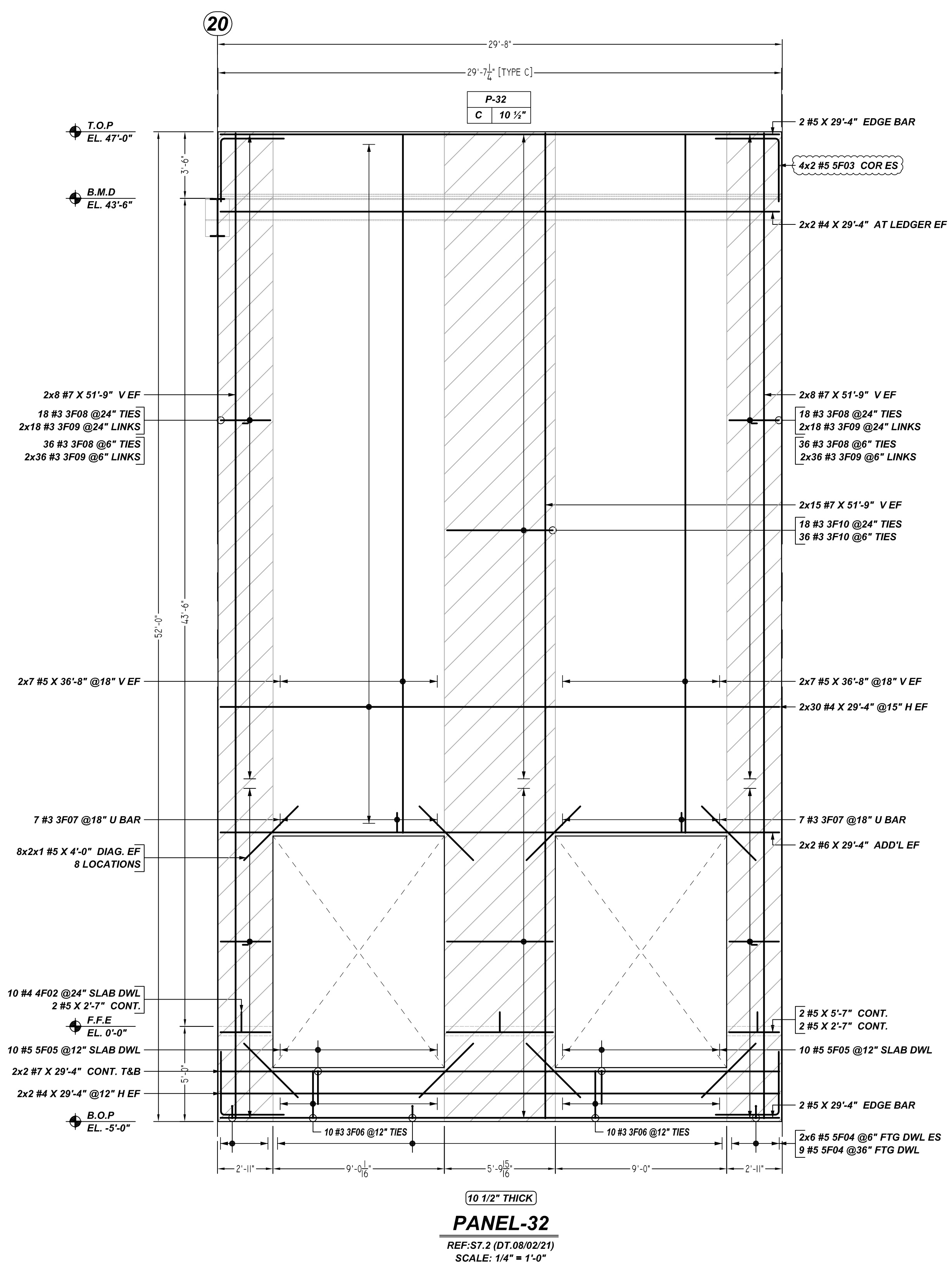


**ALL BARS IN THIS DRAWING
ASTM A615 GRADE 60
BLACK UNCOATED**

FOR APPROVAL



These drawings are for the placement of reinforcing steel only. They are to be used in conjunction with the contract drawings & specifications. Any elevations & dimensions shown on drawings are for detailing purposes only and should not be used for construction unless verified by the engineer or contractor.

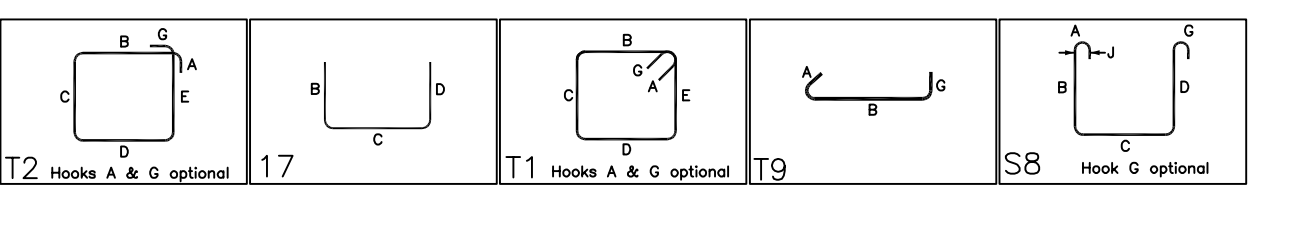


Release Number: R5.011

Bar Mark	Qty	Size	Total Length	Type	X	Y	Z	W	V	U	T	S	R	Q	P	O	N	M	L	K	J	I	H	G	F	E	D	C	B	A
306	42	#3	6'-11"	T	0'-4"	0'-3 1/2"	2'-6"	0'-3 1/2"	2'-6"	0'-4"																				
307	28	#3	2'-7"	T	1'-0"	0'-7"	1'-0"	0'-7"	1'-0"																					
308	208	#3	7'-2"	T	0'-4"	0'-7 1/2"	0'-7 1/2"	2'-7 1/2"	0'-7 1/2"	0'-4"																				
309	440	#3	1'-3 1/2"	T	0'-4"	0'-7 1/2"	0'-7 1/2"	2'-7 1/2"	0'-7 1/2"	0'-4"																				
310	110	#3	13'-1"	T	0'-4"	3'-7"	0'-3 1/2"	5'-7"	0'-3 1/2"	0'-4"																				
402	20	#4	3'-0"	T	1'-0"	2'-0"																								
503	18	#5	6'-5"	T	0'-7"	0'-8"	1'-0"	0'-10"	0'-7"	0'-5"																				
504	42	#5	3'-11"	T	0'-7"	0'-8"	1'-0"	0'-10"	0'-7"	0'-5"																				
505	42	#5	3'-11"	T	0'-7"	0'-8"	1'-0"	0'-10"	0'-7"	0'-5"																				

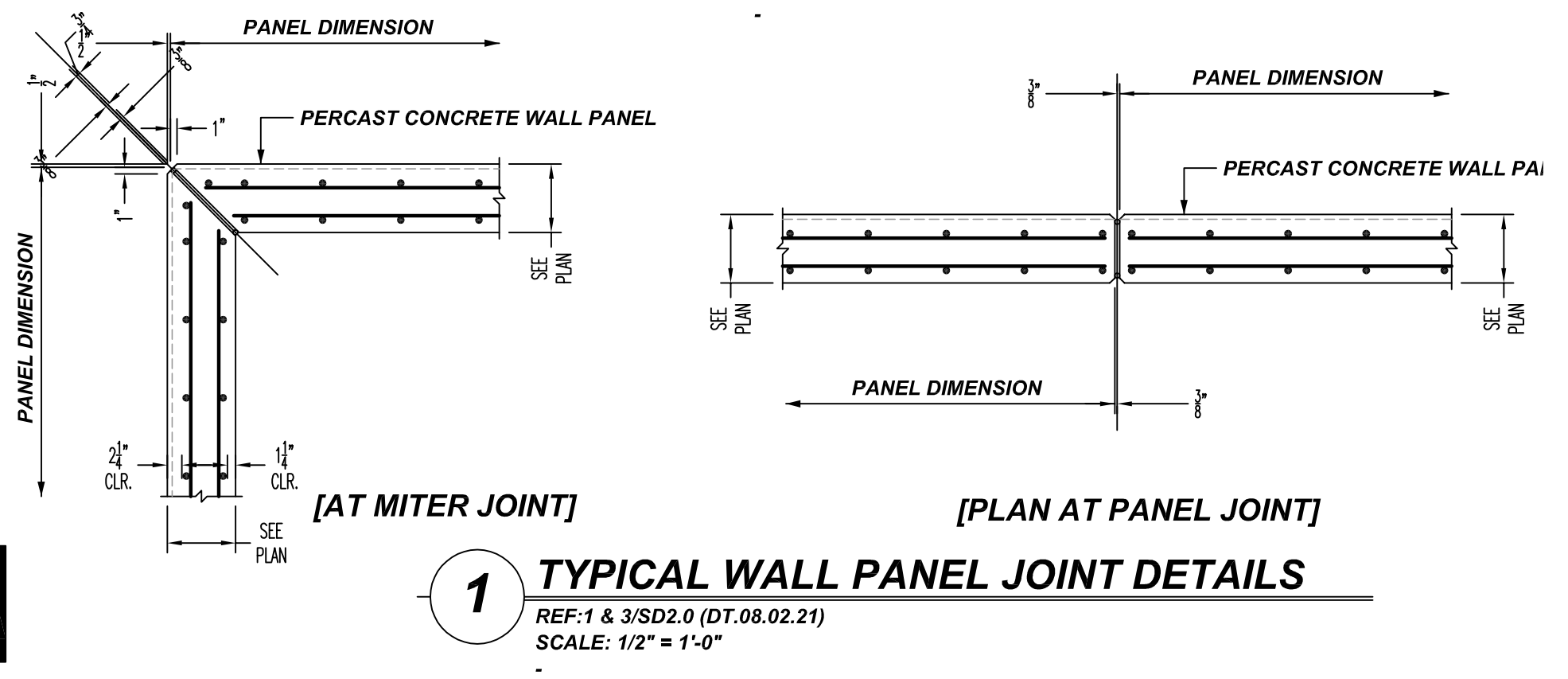
TYPICAL REINFORCING BAR CLEARANCE TABLE

LOCATION	MIN. COVER
WALL PANEL (TOP & BOT)	1 1/2" CLR
WALL PANEL (EXTERIOR)	2 1/4" CLR
WALL PANEL (INTERIOR)	1 1/4" CLR



**ALL BARS IN THIS DRAWING
ASTM A615 GRADE 60
BLACK UNCOATED**

FOR APPROVAL



2 TYPICAL WALL PANEL SECTION DETAILS
REF: 1 & 3/SD2.0 (DT.08.02.21)
SCALE: 1/2" = 1'-0"

These drawings are for the placement of reinforcing steel only. They are to be used in conjunction with the contract drawings & specifications. Any elevations & dimensions shown on drawings are for detailing purposes only and should not be used for construction unless verified by the engineer or contractor.

FOR APPROVAL 12/14/21

0			
---	--	--	--

JOB ADDRESS: PALMDALE - XLFC
CITY/STATE: PALMDALE, CA
ENGINEER: HSA & ASSOCIATES, INC.
ARCHITECT: WARE MALCOMB
CLIENT: GUY YOCOM CONSTRUCTION

ANTELOPE
**AREA#1 WALL PANEL
REINFORCEMENT DETAILS**

JOB #: 1-147
SHEET #: R5.011