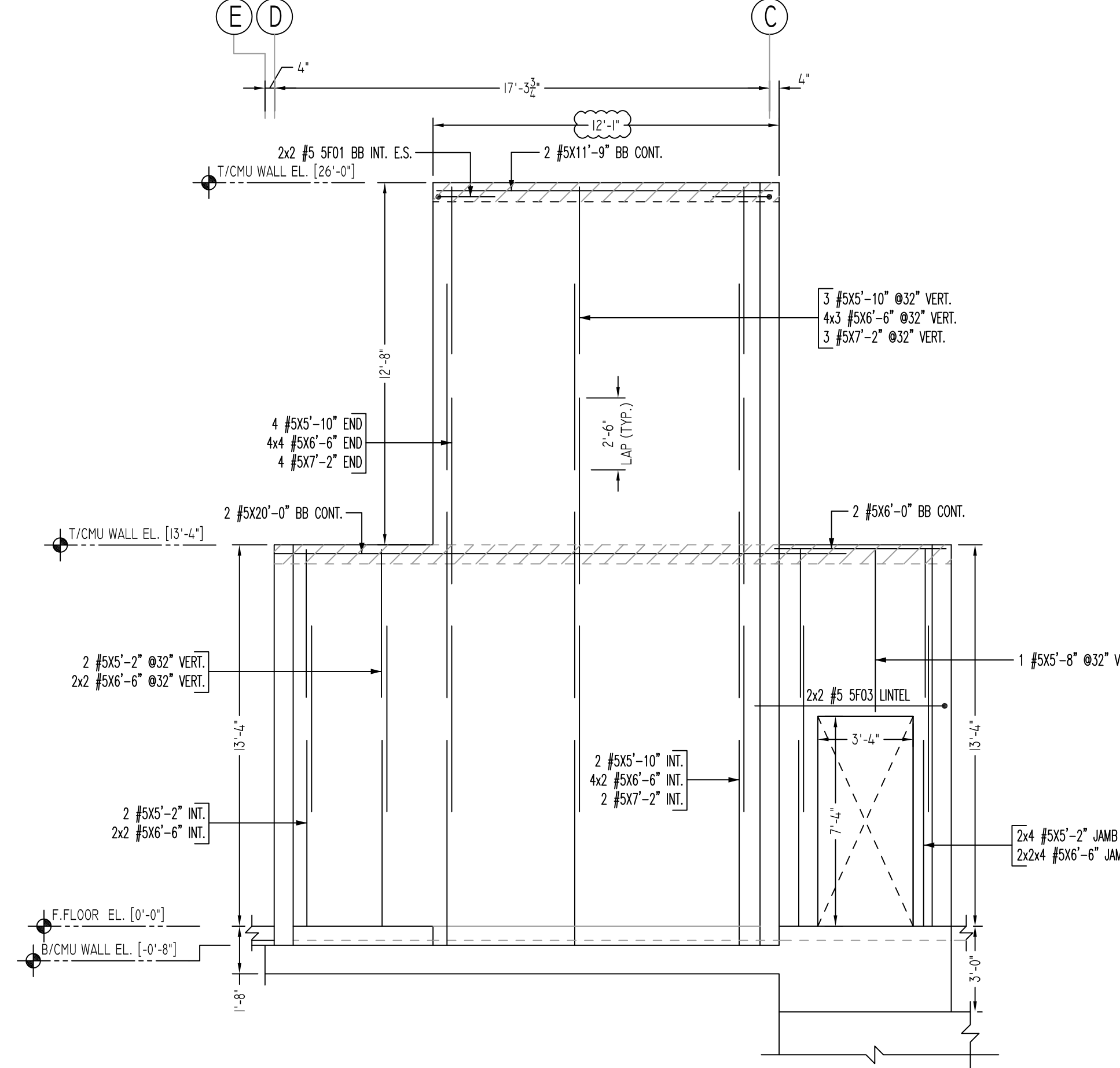
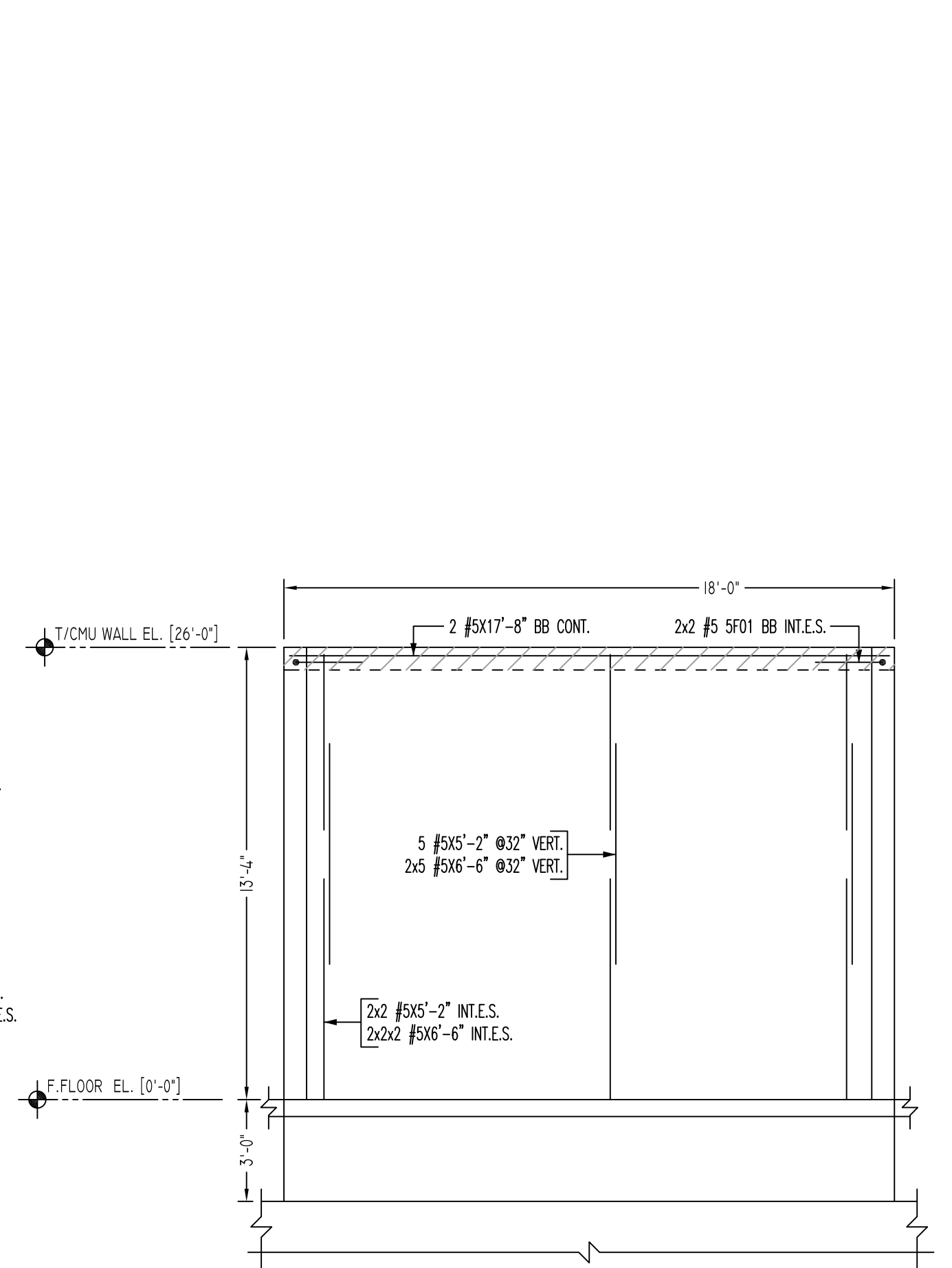


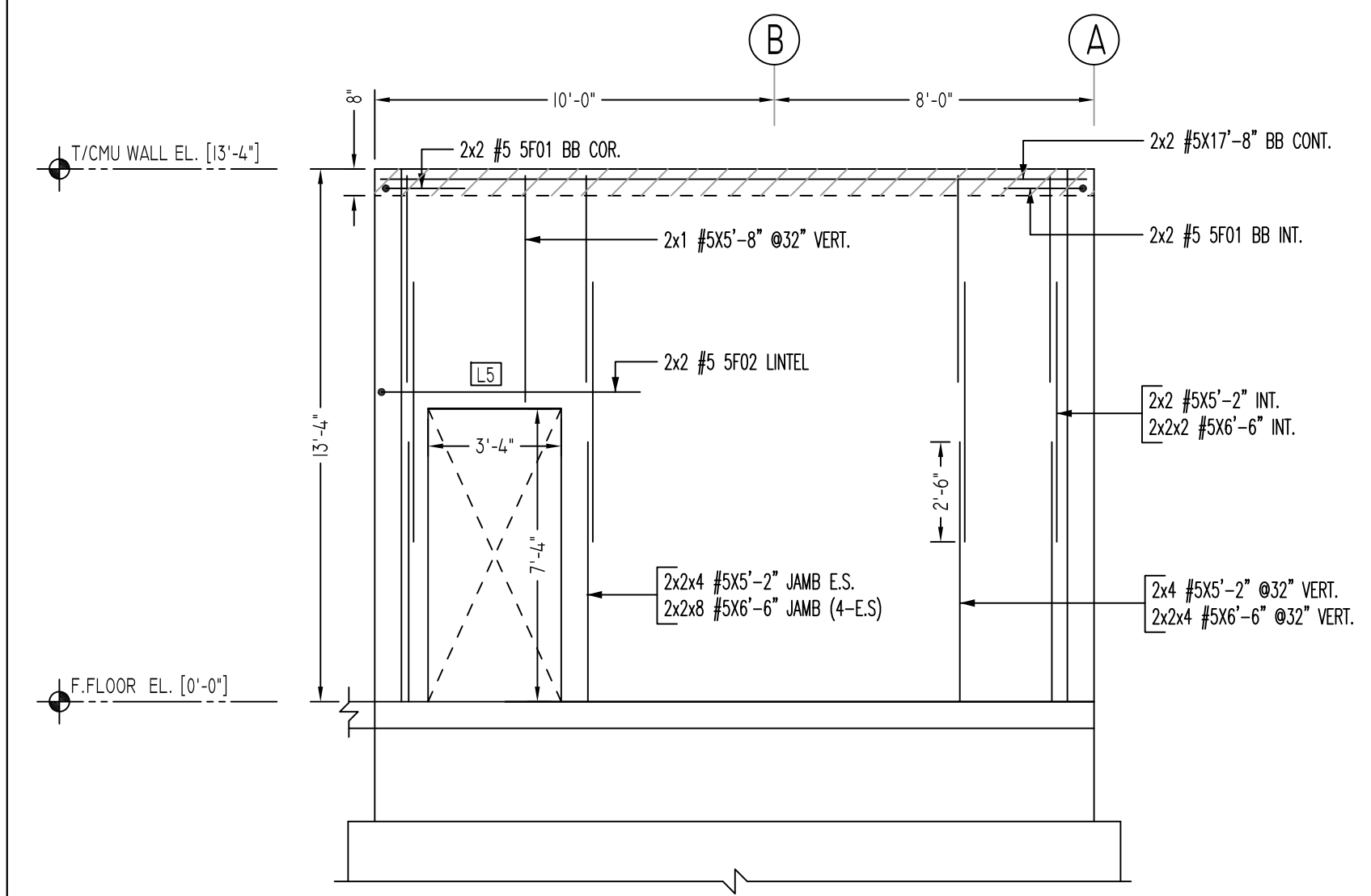
H ELEVATION
 SCALE - 1/4"=1'-0"
 REF: A101C, A101C, A200C, A921C S100C, S100T, S101C & S200C
 A/E PLEASE VERIFY PROFILE & VERTICAL BAR ARRANGEMENT (TYP.)



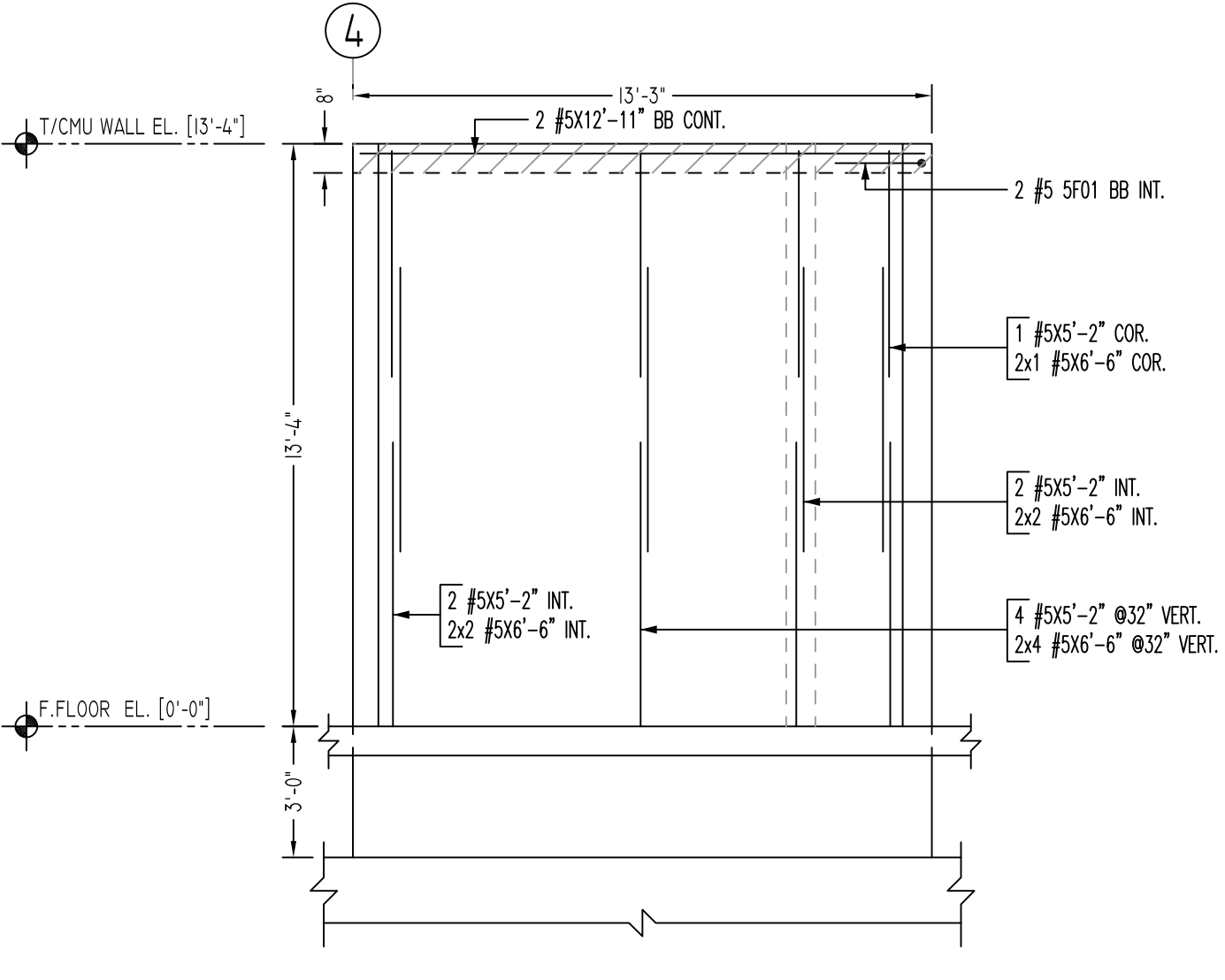
J ELEVATION
 SCALE - 1/4"=1'-0"
 REF: A101C, A101C, A200C, A921C S100C, S100T, S101C & S200C



K ELEVATION
 SCALE - 1/4"=1'-0"
 REF: A101C, A101C, A200C, A921C S100C, S100T, S101C & S200C



F ELEVATION
 (@2 LOCATIONS)
 SCALE - 1/4"=1'-0"
 REF: A101C, A101C, A200C, A921C S100C, S100T, S101C & S200C



G ELEVATION
 SCALE - 1/4"=1'-0"
 REF: A101C, A101C, A200C, A921C S100C, S100T, S101C & S200C

Release Code: R5

Bar Mark	Qty	Size	Total length	Type	'A'	'B'	'C'	'D'	'E'	'F'	'G'	'H'	'J'	'K'	'O'	'Y'
SF01	24	#5	43' 11"	BB CONT.		2'0"	2'0"									
SF02	4	#5	7'4"	INT.	W		6'6"									
SF03	4	#5	7'6"	INT.	W		6'8"									

LAP SCHEDULE

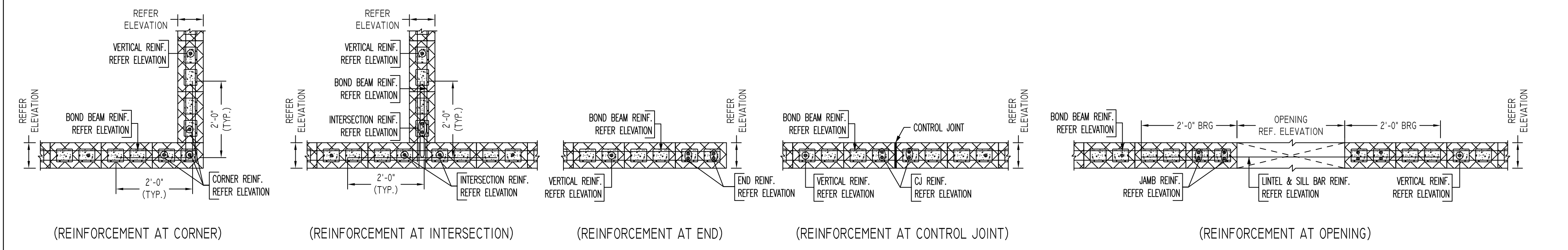
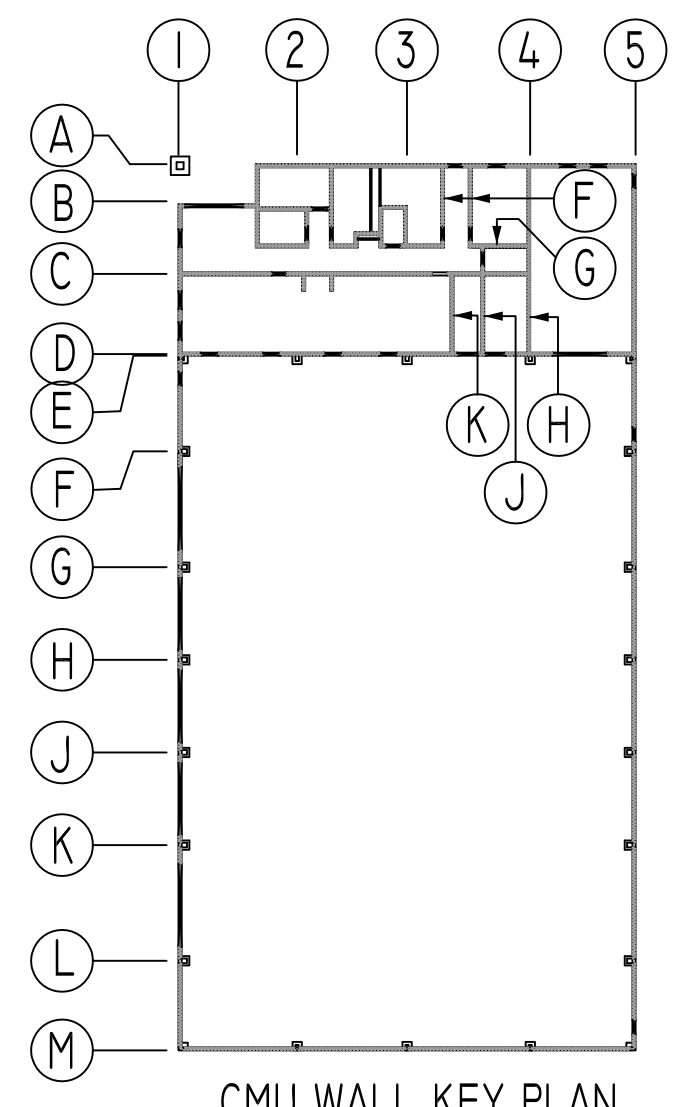
SIZE	48 @ LAP
#3	18"
#4	24"
#5	30"
#6	36"
#7	42"
#8	48"
#9	55"
#10	61"
#11	68"

A/E PLEASE VERIFY LAP VALUE

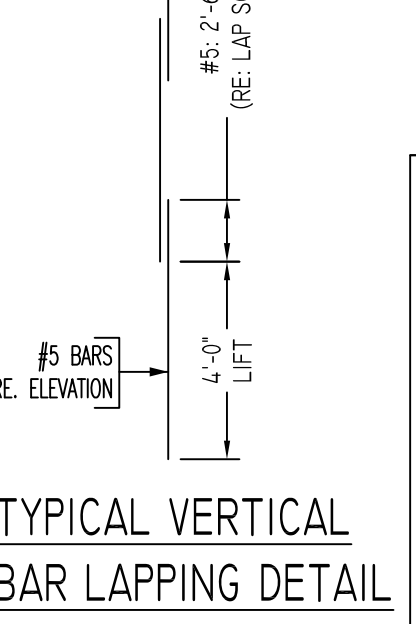
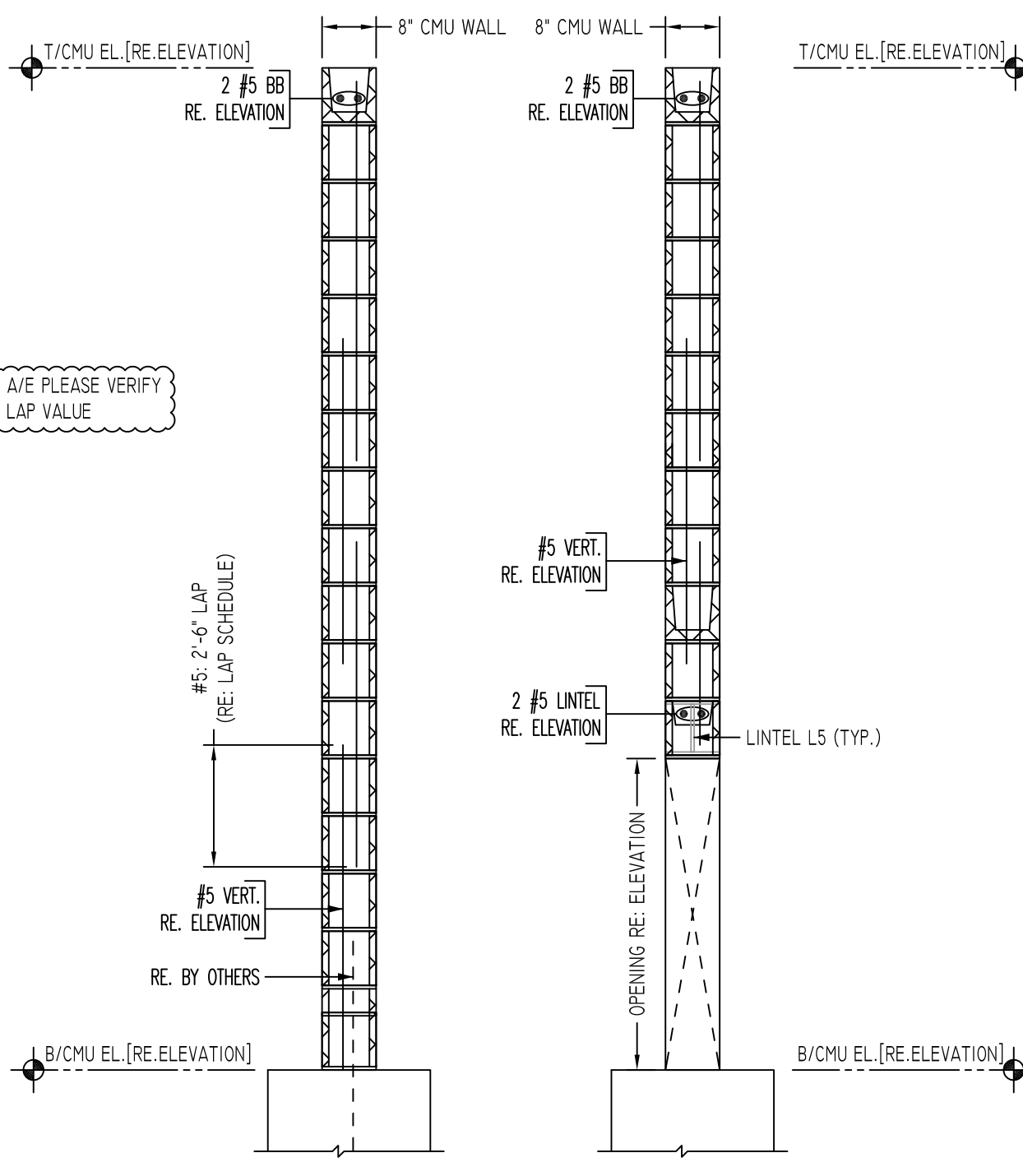
LEGEND

- NO. OF LOCATION
- NO. OF LIFT
- NO. OF BARS
- NO. OF LIFT (OR) NO. OF LOCATION
- NO. OF BARS

ALL BARS IN THIS DRAWING
 ASTM A615 GRADE 60
 BLACK UNCOATED



TYPICAL CMU WALL DETAILS
 SCALE - 1/2"=1'-0"
 REF: -
 A/E PLEASE VERIFY BAR ARRANGEMENT (TYP.)



Abbreviations:

- I.F.=Inside Face
- O.F.=Outside Face
- E.F.=Each Face
- DWL=Dowel
- V=Vertical
- H=Horizontal
- C.B.=Corner Bar
- S.DWL.=Slab Dowel
- E.W.=Each Way
- B/BOT.=Bottom
- T=Top
- MWL.=Masonry Dowel
- B.B.=Bond Beam
- ALT.=Alternate
- Approx. Approximate

OPNG=Opening
 BAL.=Balance
 BTW.=Between
 C.J.=Construction Joint
 CLR.=CLEARANCE
 CMU.=Concrete Masonry Unit
 CONT.=Continuous
 EA.=Each
 Elev.=Elevation
 EMB.=Embedment
 SW.=Short Way
 LW.=Long Way
 (BL)=Black Bar
 (EP)=Epoxy Bar
 (GA)=Galvanized

NOTICE

Shortages, improper fabrication or claims for any other reason must be reported to this company within a period of 15 days of delivery. This company reserves the right to field inspect prior to replacement or reconditioning of nonconforming material, and will not honor charges for work done in the field without specific authorization from this company.

REINFORCING STEEL PLACING DRAWINGS ONLY USE IN CONJUNCTION WITH CONTRACT DRAWINGS & SPECIFICATIONS. ELEVATIONS & DIMENSIONS SHOWN ON THIS DRAWING ARE FOR DETAILING PURPOSES ONLY AND SHOULD NOT BE USED FOR CONSTRUCTION UNLESS VERIFIED BY ENGINEER OR CONTRACTOR.

REVISION MARK	REVISION DETAILS	DATE
0	FOR APPROVAL	10/22/2019

PROJECT	LABORER'S INTERNATIONAL UNION OF NORTH AMERICA		
LOCATION	37 DEERFIELD RD., CT 06259		
ARCHITECT	RGB ARCHITECTURE & ENGINEERING		
ENGINEER	RGB ARCHITECTURE & ENGINEERING		
CUSTOMER	ACRANOM MASONRY		
DRAWN BY:	MRS	DATE:	10/22/19
REVIEWED BY:	T/L	DATE:	19123
DRAWING TITLE:	ELEVATIONS & DETAILS		DRAWING NO.: R5