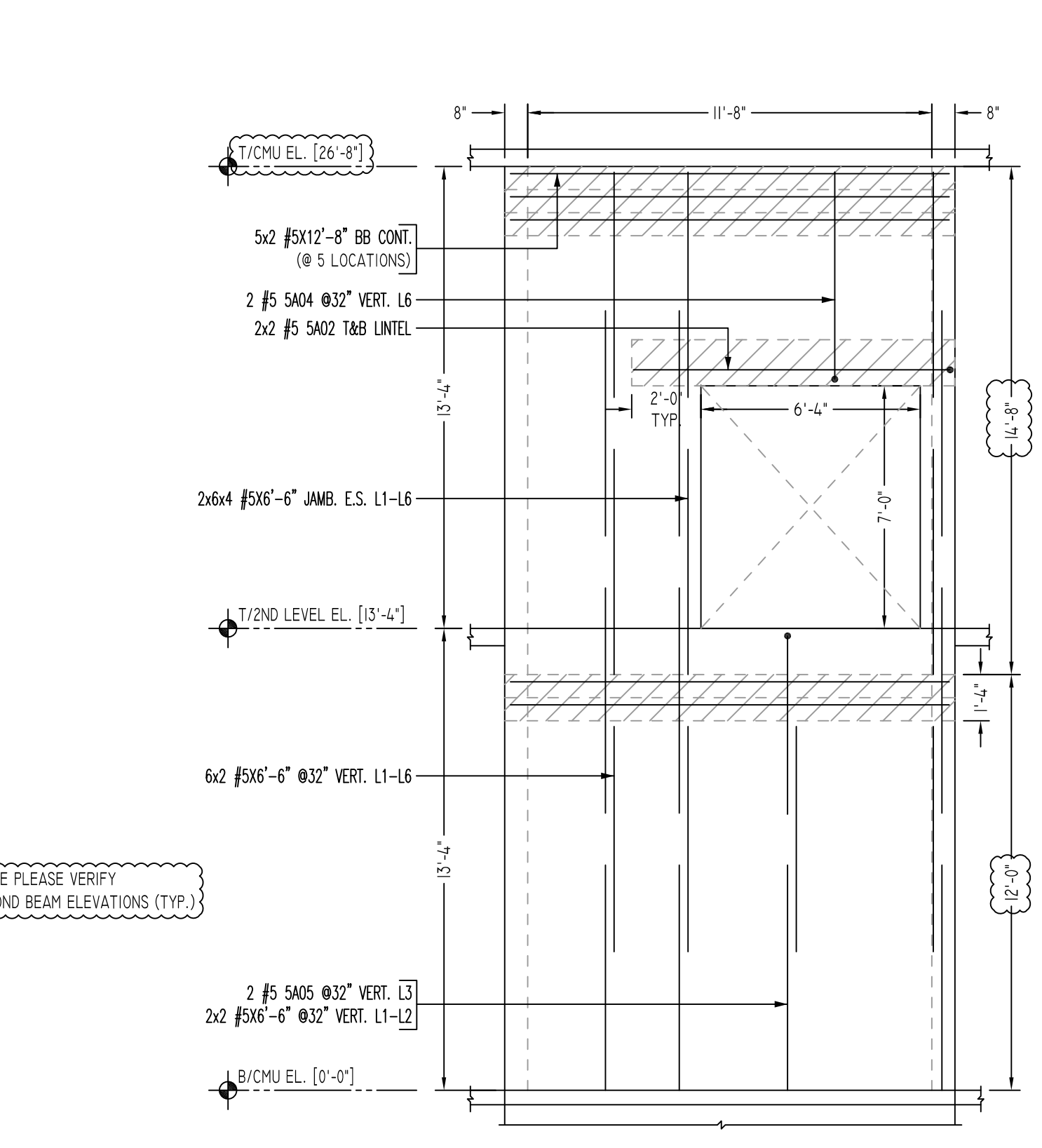
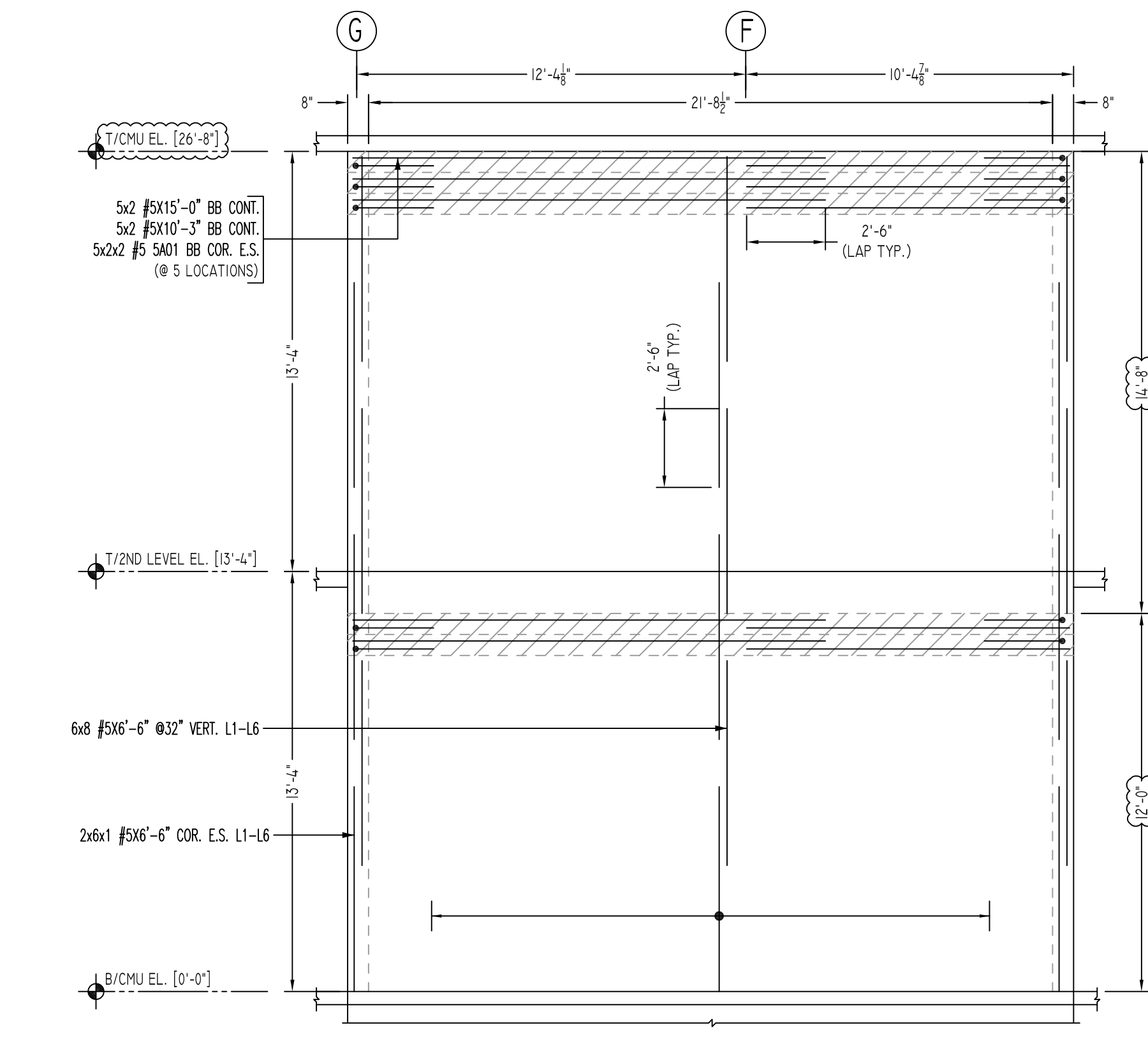


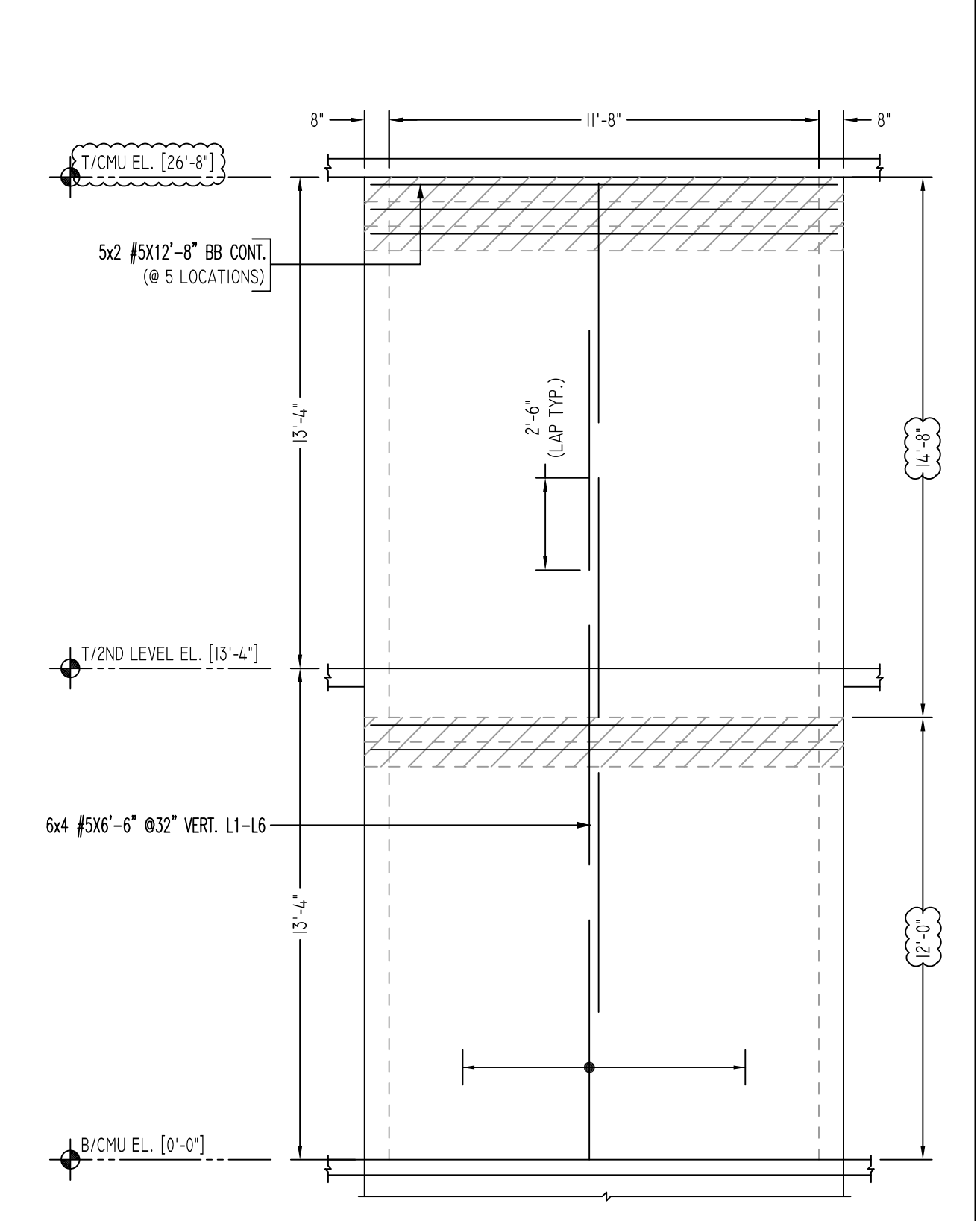
A ELEVATION
 SCALE - 1/4"=1'-0"
 REF: A2.01, A3.0 TO A3.2 & S2.01
 AVE PLEASE VERIFY BAR ARRANGEMENT (TYP.)



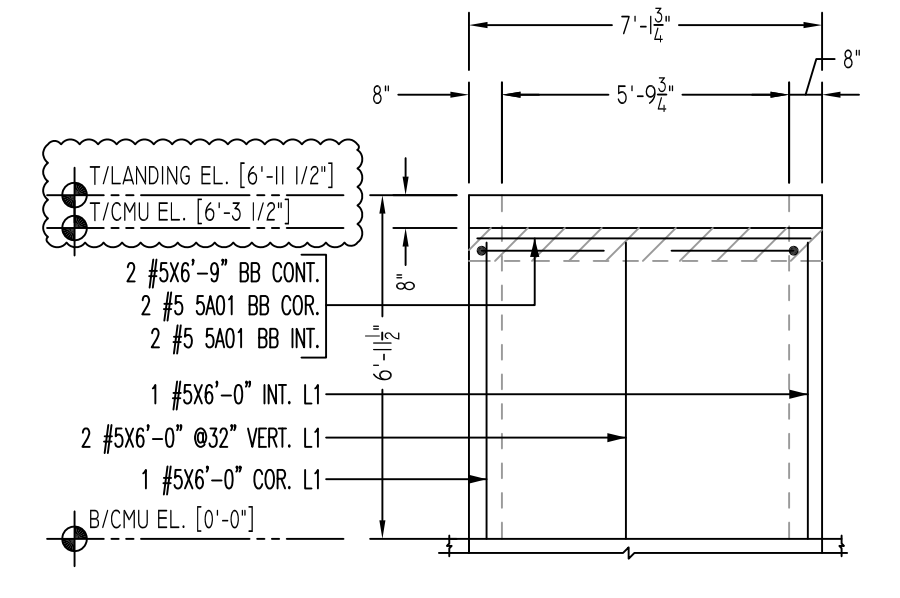
B ELEVATION
 SCALE - 1/4"=1'-0"
 REF: A2.01, A3.0 TO A3.2 & S2.01
 AVE PLEASE VERIFY BAR ARRANGEMENT (TYP.)



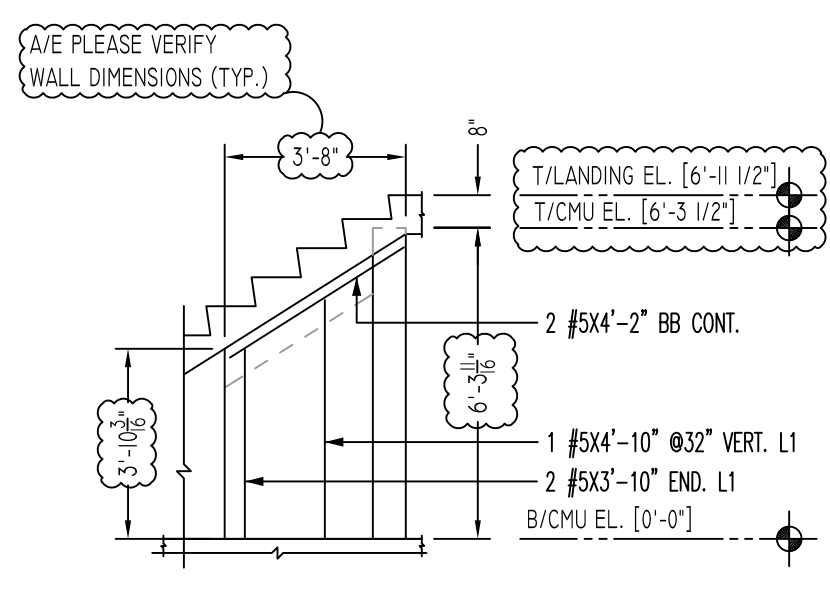
C ELEVATION
 SCALE - 1/4"=1'-0"
 REF: A2.01, A3.0 TO A3.2 & S2.01
 AVE PLEASE VERIFY BAR ARRANGEMENT (TYP.)



D ELEVATION
 SCALE - 1/4"=1'-0"
 REF: A2.01, A3.0 TO A3.2 & S2.01
 AVE PLEASE VERIFY BAR ARRANGEMENT (TYP.)



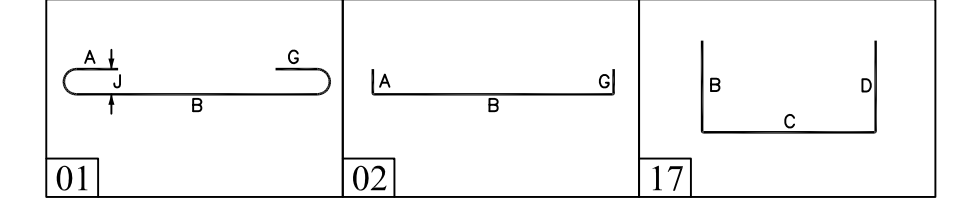
E ELEVATION
 SCALE - 1/4"=1'-0"
 REF: A2.01, A3.0 TO A3.2 & S2.01
 AVE PLEASE VERIFY WALL DIMENSIONS (TYP.)



F ELEVATION
 SCALE - 1/4"=1'-0"
 REF: A2.01, A3.0 TO A3.2 & S2.01
 AVE PLEASE VERIFY WALL PROFILE & BAR ARRANGEMENT (TYP.)

Release Code: R1

Bar Mark	Qty	Size	Total length	Type	A'	B'	C'	D'	E'	F'	G'	H'	J'	K'	V'	W'
SA01	44	#5	50'11"			2'6"	2'6"									
SA02	8	#5	10'0"	2	10'	9'2"										
SA03	2	#5	4'11"	1	7'	3'6"										
SA04	2	#5	6'7"	1	7'	6'0"										
SA05	2	#5	5'9"	1	7'	5'2"										



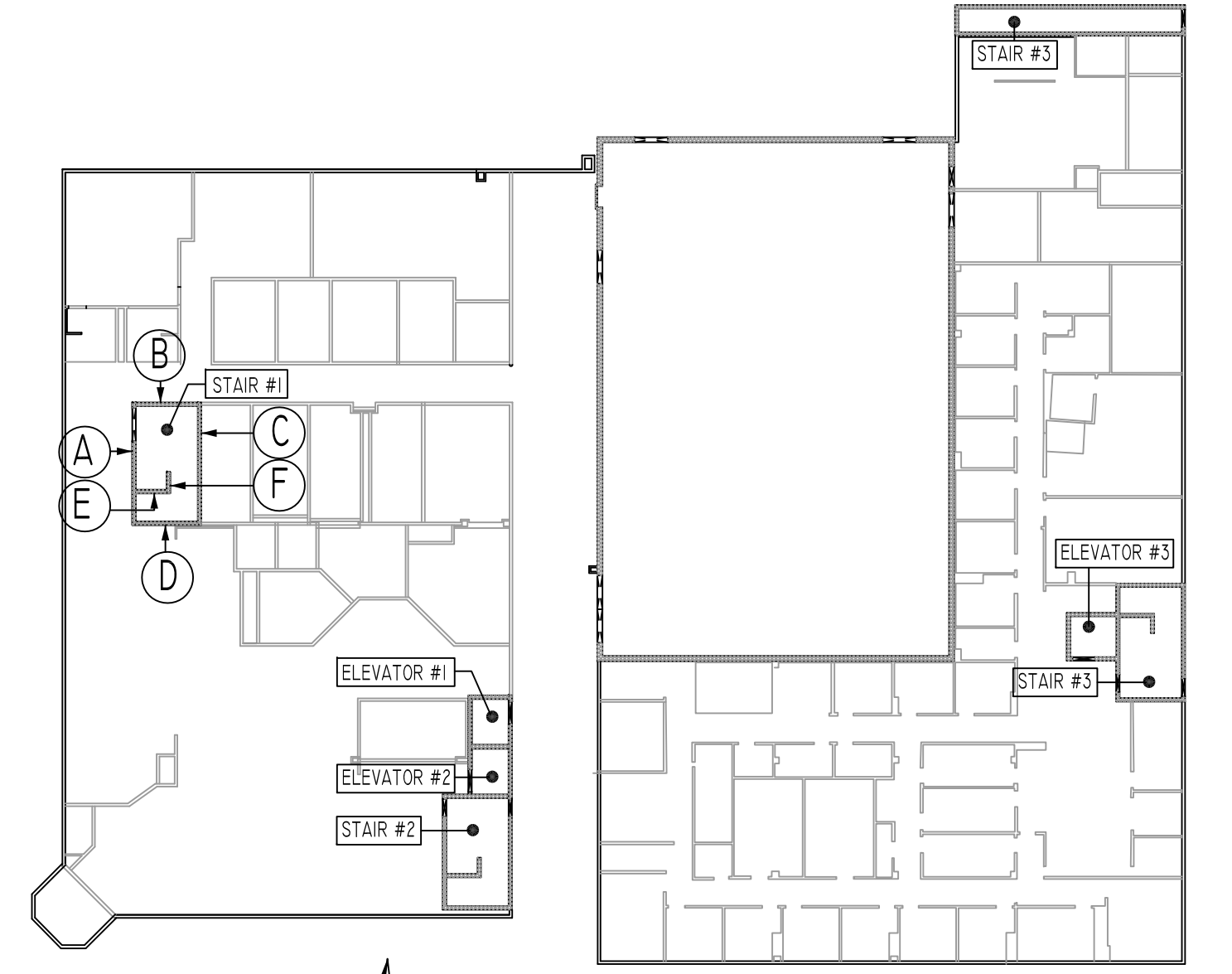
ALL BARS IN THIS DRAWING
 ASTM A615 GRADE 60
 BLACK UNCOATED

LAP SCHEDULE

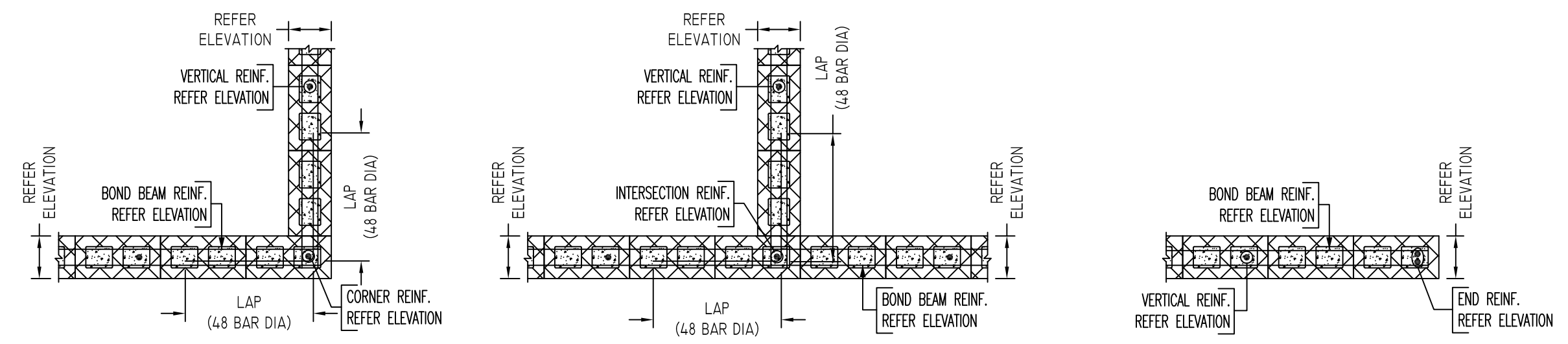
SIZE	Ø 8 LAP
#3	18"
#4	24"
#5	30"
#6	36"
#7	42"
#8	48"
#9	55"
#10	61"
#11	68"

LEGEND

NO. OF LOCATION	NO. OF LIFT	NO. OF BARS
2x2x1 #5x6'-6" VERTS		
NO. OF LIFT (OR) NO. OF LOCATION	NO. OF BARS	
2x1 #5x6'-6" VERTS		
LIFT 1 TO LIFT 6		
2x1 #5x6'-6" VERTS L1-L6		



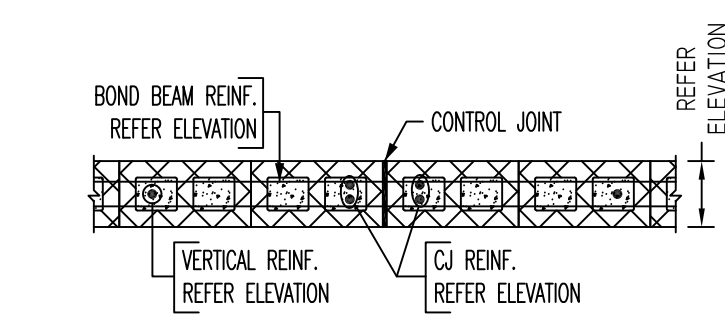
CMU WALL KEY PLAN
 SCALE: 1/4"=1'-0"
 REF: A2.01, A3.0 TO A3.2 & S2.01



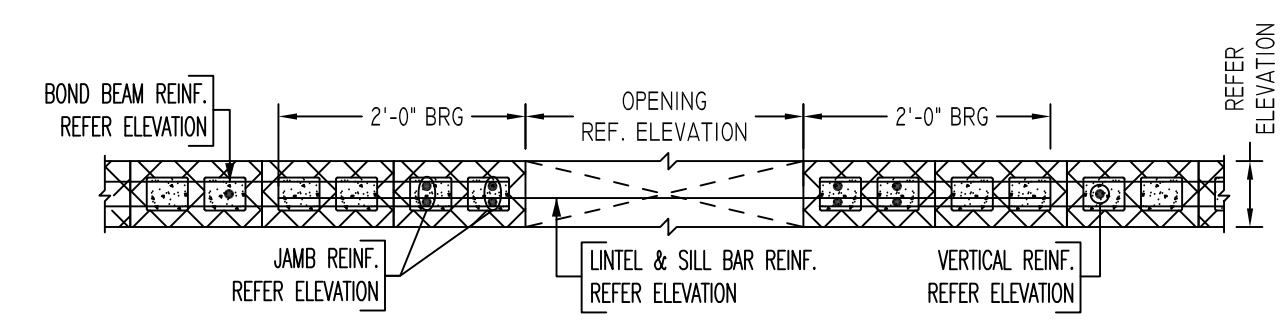
(REINFORCEMENT AT CORNER)

(REINFORCEMENT AT INTERSECTION)

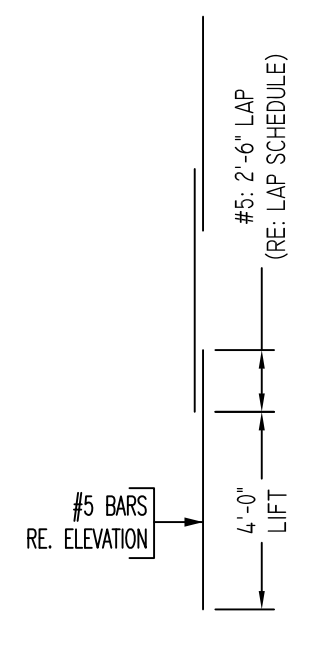
(REINFORCEMENT AT END)



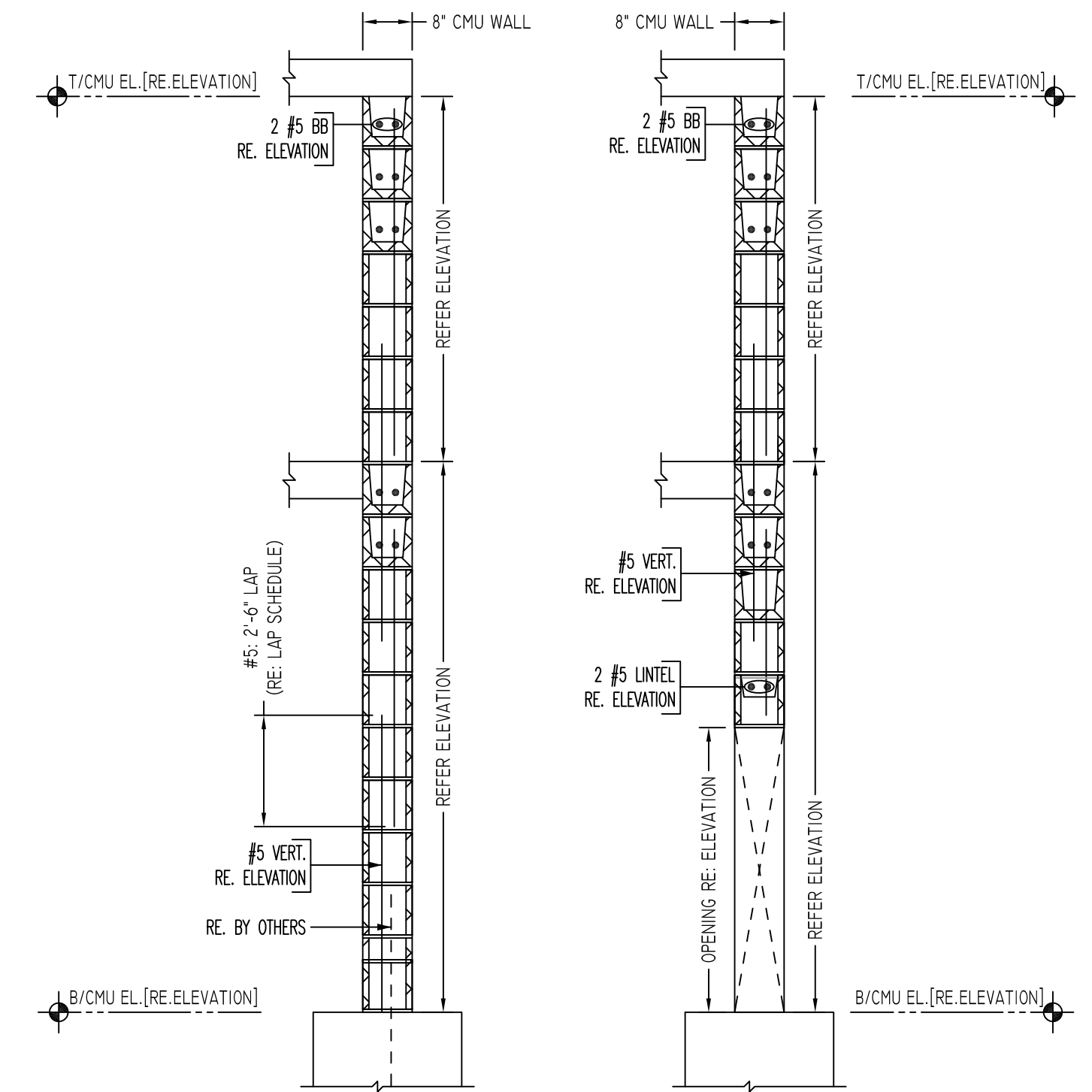
(REINFORCEMENT AT CONTROL JOINT)



(REINFORCEMENT AT OPENING)



TYPICAL VERTICAL
 BAR LAPPING DETAIL



TYPICAL CMU WALL SECTION DETAILS
 SCALE: 1/2"=1'-0"
 REF: -

TYPICAL CMU WALL DETAILS
 SCALE: 1/2"=1'-0"
 REF: -
 AVE PLEASE VERIFY BAR ARRANGEMENT (TYP.)

Abbreviations:

IF=Inside Face	OPNG=Opening
O.F.=Outside Face	BAL=Balance
EF=Each Face	BTW=Between
DWI=Dowel	CJ=Construction Joint
V=Vertical	CLR=CLEARANCE
H=Horizontal	CMU=Concrete Masonry Unit
C.B.=Corner Bar	CONT.=Continuous
S.DWI.=Sub Dowel	EA=Each
E.W.=Each Way	Elv.=Elevation
B/BOT=Bottom	EMB=Embedment
T=Top	SW=Short Way
MDWL=Masonry Dowel	LW=Long Way
B.B.=Bond Beam	(BL)=Black Bar
ALT.=Alternate	(EP)=Epoxy Bar
Approx. Approximate	(GA)=Galvanized

NOTICE

Shortages, improper fabrication or claims for any other reason must be reported to this company within a period of 15 days of delivery. This company reserves the right to field inspect prior to replacement or reconditioning of nonconforming material, and will not honor charges for work done in the field without specific authorization from this company.

REINFORCING STEEL PLACING DRAWINGS ONLY USE IN CONJUNCTION WITH CONTRACT DRAWINGS & SPECIFICATIONS. ELEVATIONS & DIMENSIONS SHOWN ON THIS DRAWING ARE FOR DETAILING PURPOSES ONLY AND SHOULD NOT BE USED FOR CONSTRUCTION UNLESS VERIFIED BY ENGINEER OR CONTRACTOR.

REVISION MARK	REVISION DETAILS	DATE
0	FOR APPROVAL	10/22/2019

PROJECT	THE DIXWELL COMMUNITY CENTER - Q HOUSE		
LOCATION	197 DIXWELL AVENUE, NEW HAVEN, CT		
ARCHITECT	KENNETH BOROSON ARCHITECT		
ENGINEER	DIVERSIFIED TECHNOLOGY CONSULTANTS, INC		
CUSTOMER	JOE CAPASSO MANSONS		
DRAWN BY:	MRS	DATE:	10/22/19
REVIEWED BY:	T/L	JOB NO.:	19132
DRAWING TITLE:	ELEVATIONS & DETAILS		DRAWING NO.:
			R1