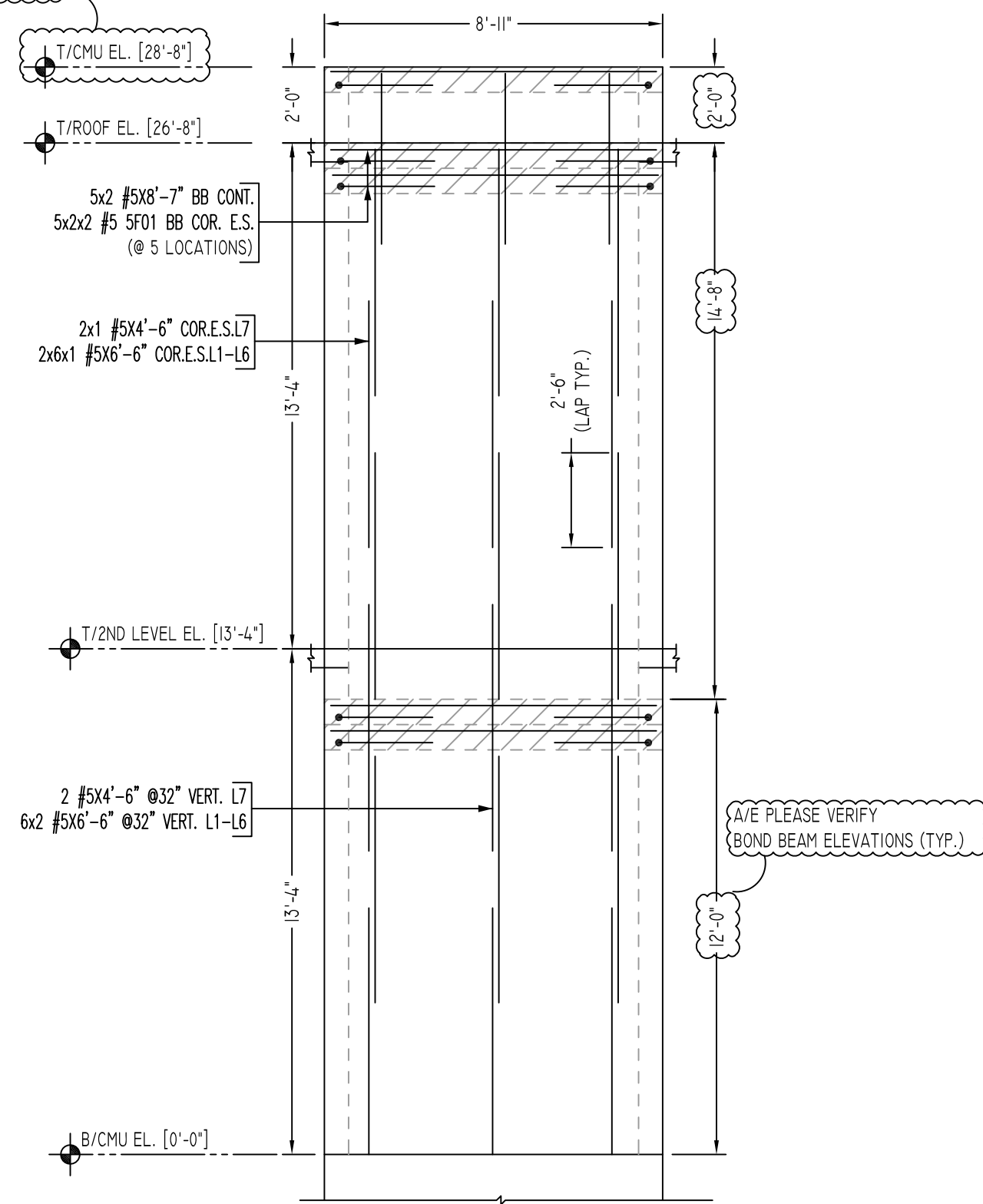
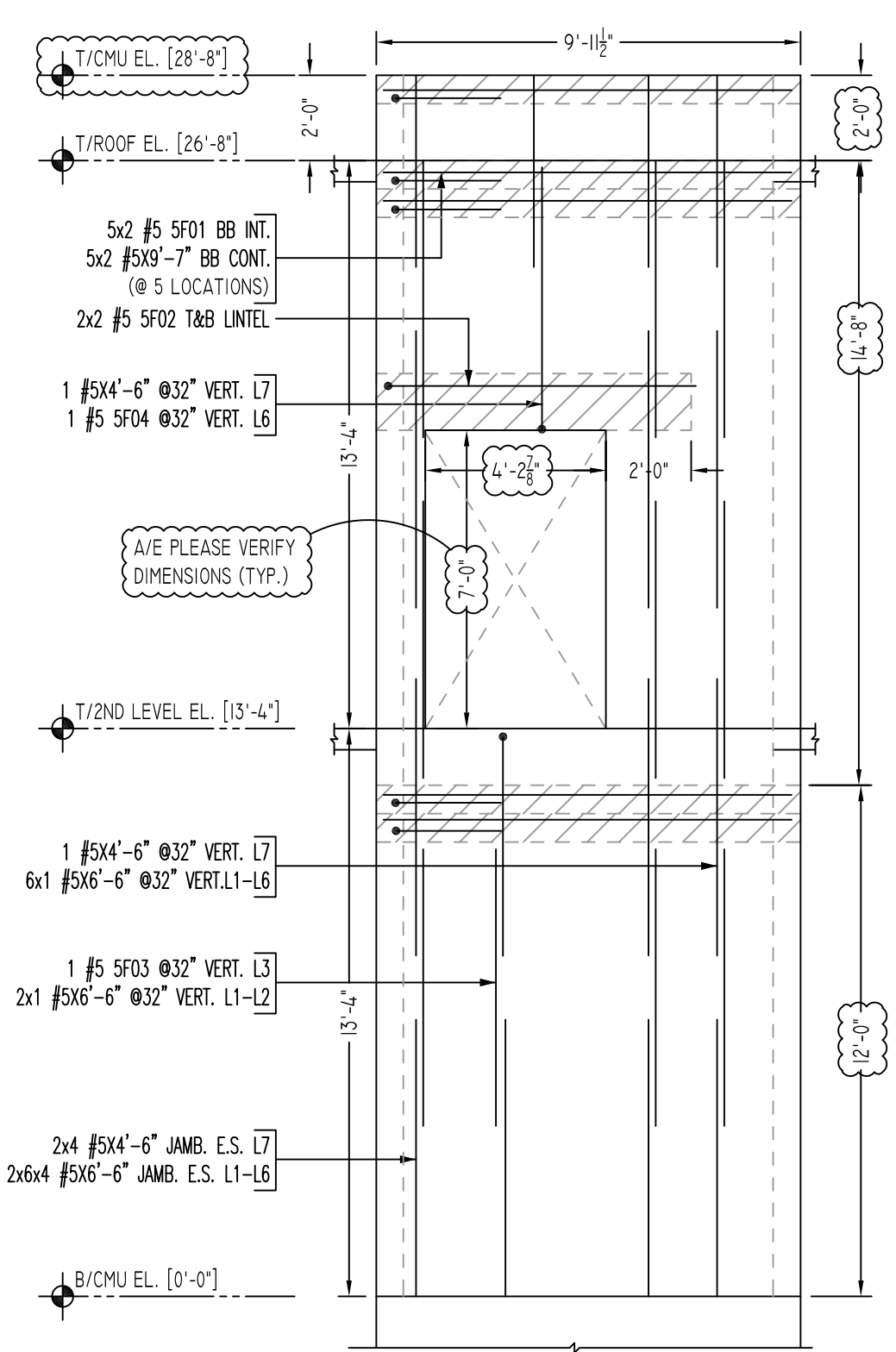


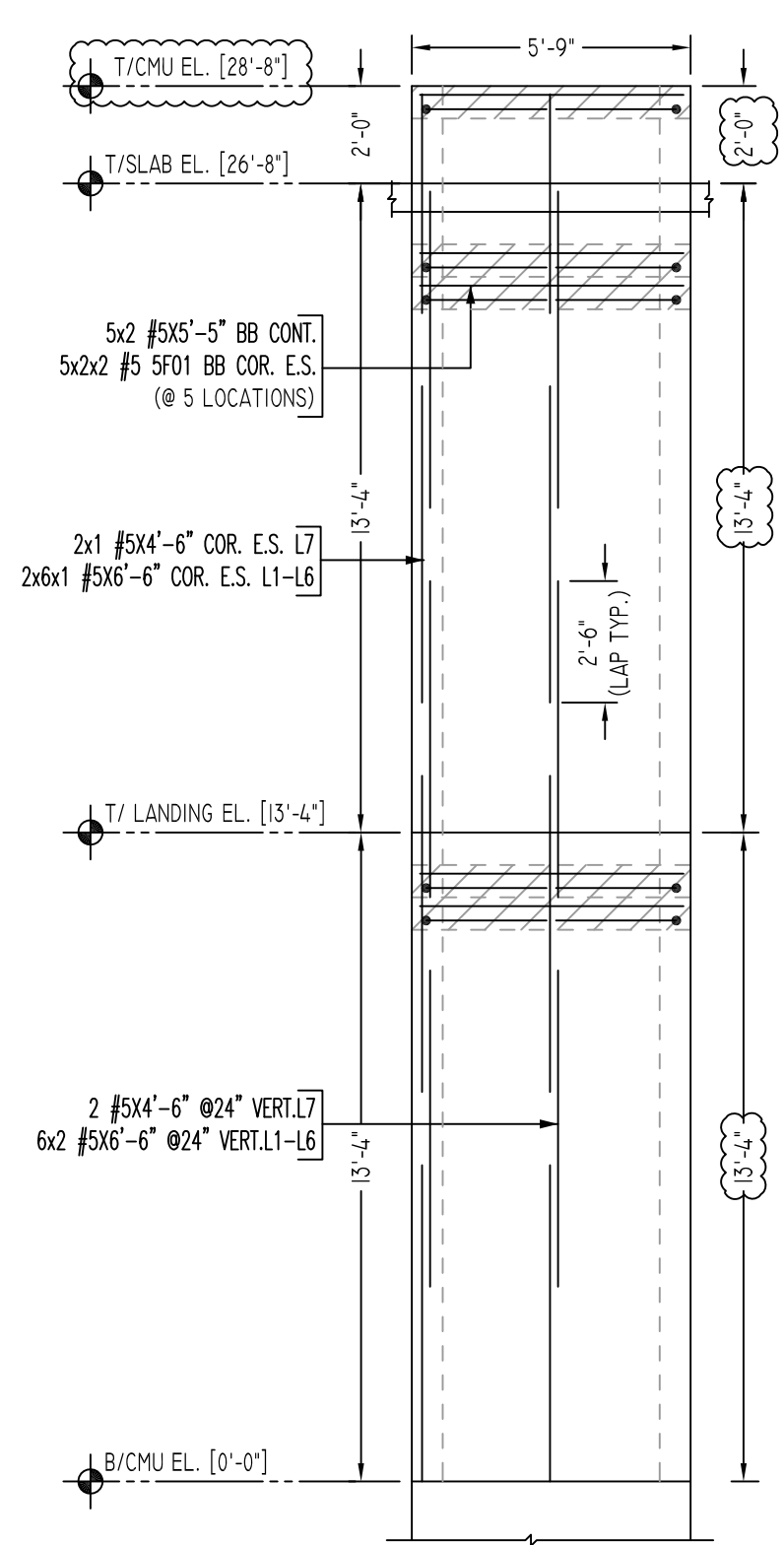
A/E PLEASE VERIFY TOP OF WALL ELEVATIONS (TYP.)



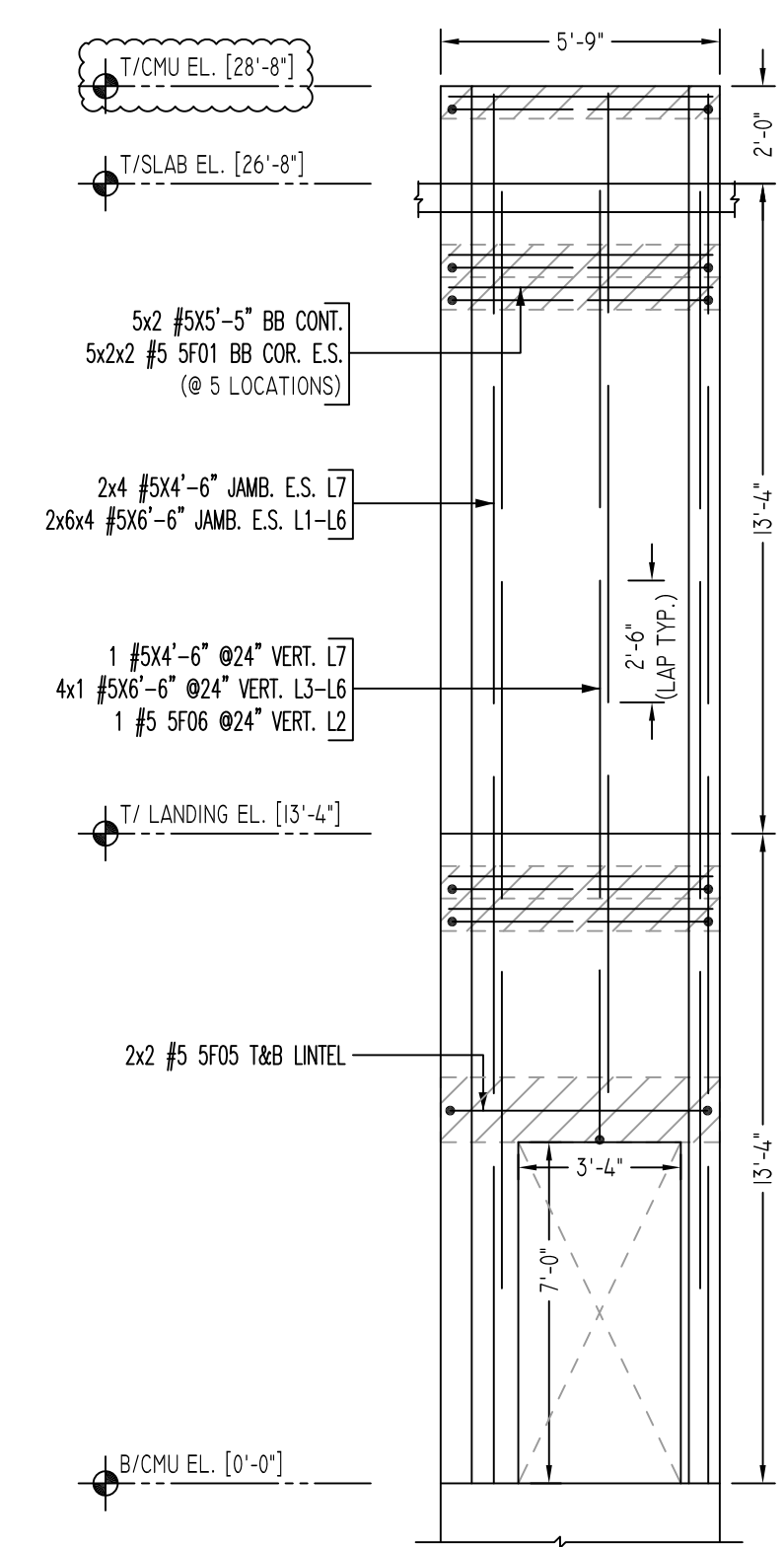
Z ELEVATION
SCALE - 1/4"=1'-0"
REF: A2.01, A3.0 TO A3.2 & S2.01
A/E PLEASE VERIFY BOND BEAM ELEVATIONS (TYP.)
A/E PLEASE VERIFY BAR ARRANGEMENT (TYP.)



AA ELEVATION
SCALE - 1/4"=1'-0"
REF: A2.01, A3.0 TO A3.2 & S2.01
A/E PLEASE VERIFY DIMENSIONS (TYP.)



AB ELEVATION
SCALE - 1/4"=1'-0"
REF: A2.01, A3.0 TO A3.2 & S2.01



AC ELEVATION
SCALE - 1/4"=1'-0"
REF: A2.01, A3.0 TO A3.2 & S2.01

Release Code: R5 BENDING DETAILS.

Bar Mark	Qty	Size	Total length	Type	A'	B'	C'	D'	E'	F'	G'	H'	I'	J'	K'	L'	
SF01	70	#5	5'0"	17			2'6"	2'6"									
SF02	4	#5	8'1"	2	10"	7'3"											
SF03	1	#5	5'9"	1	7"	5'2"								5'			
SF04	1	#5	6'9"	1	7"	6'2"								5'			
SF05	4	#5	7'0"	2	10"	5'4"					10"						
SF06	1	#5	4'1"	1	7"	3'6"								5'			

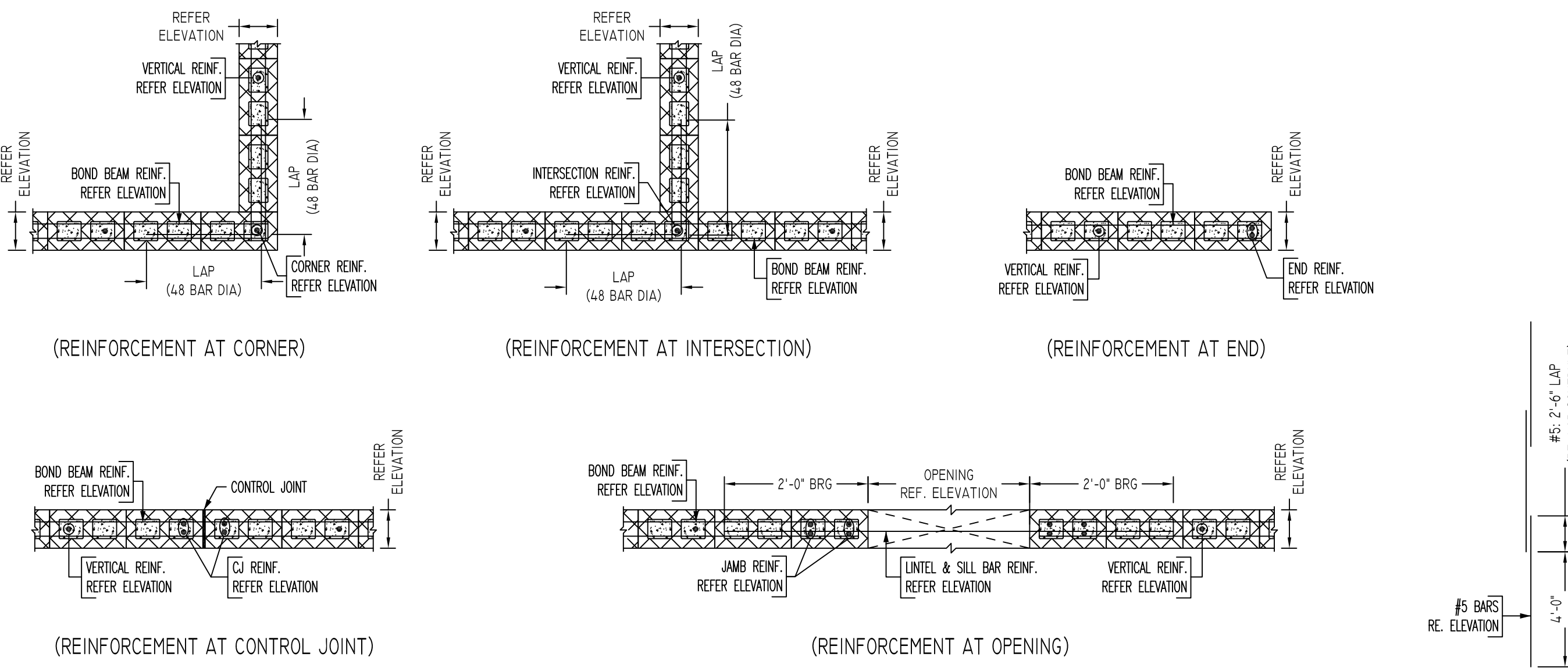
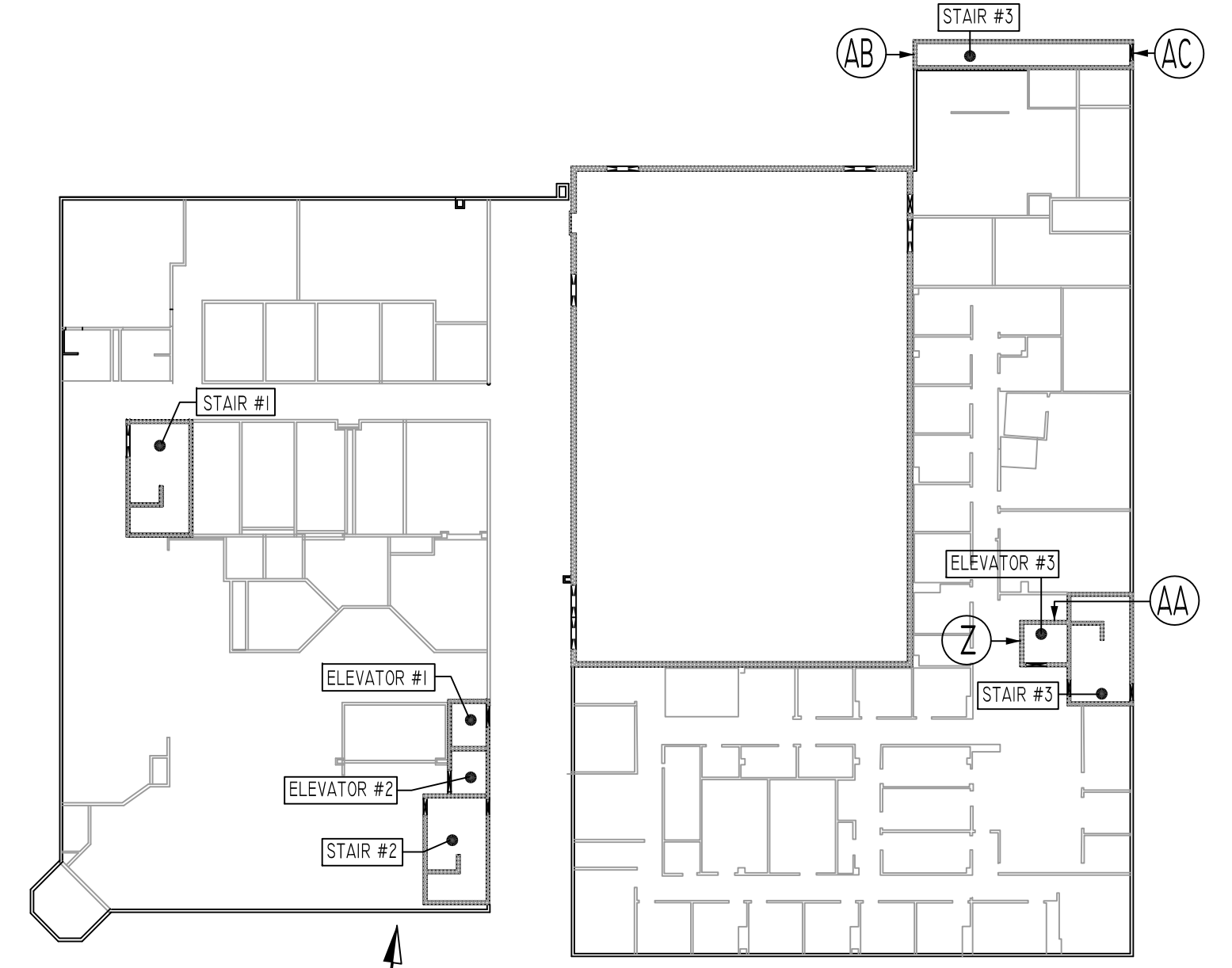
ALL BARS IN THIS DRAWING
ASTM A615 GRADE 60
BLACK UNCOATED

LAP SCHEDULE

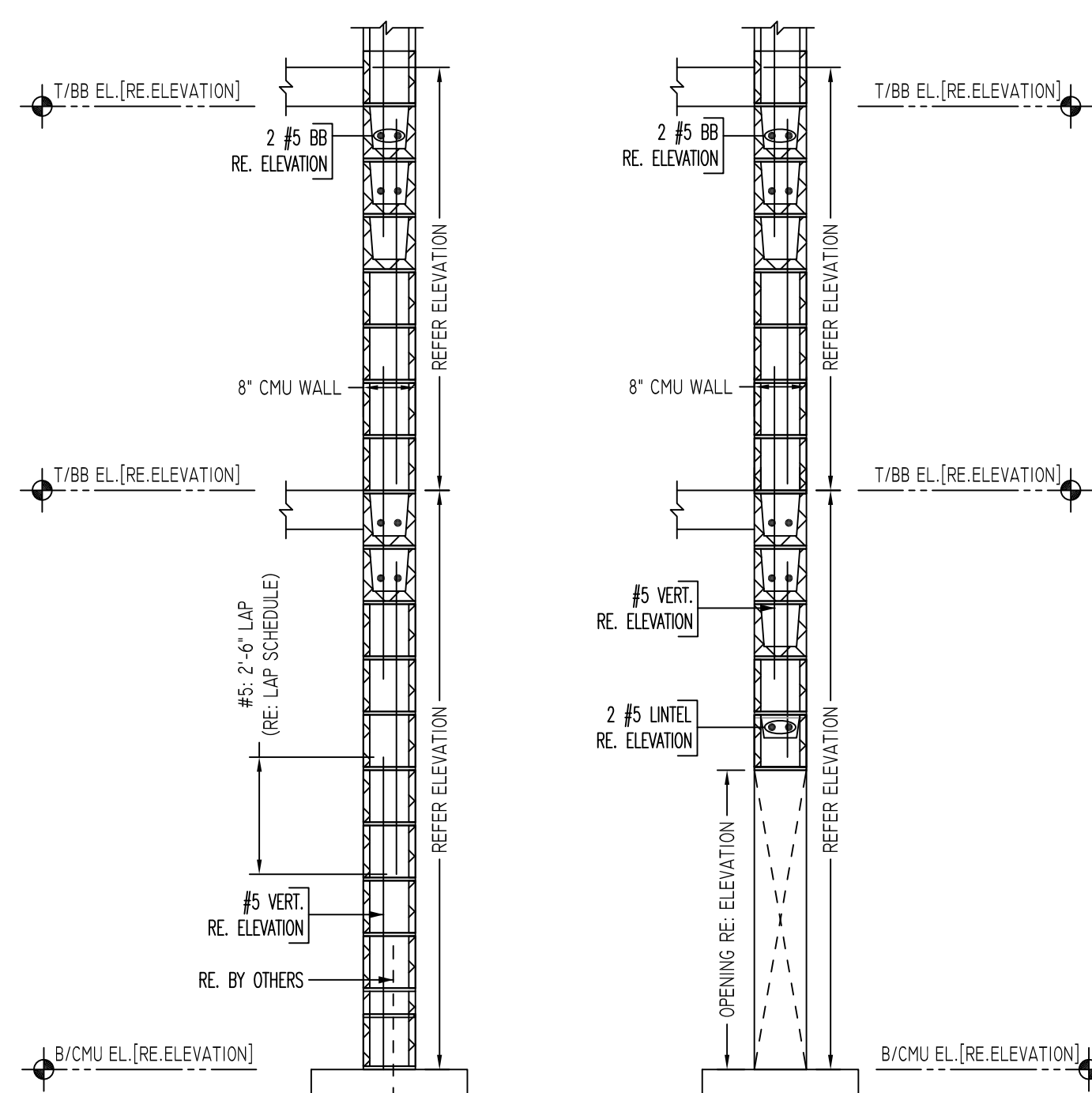
SIZE	48 @ LAP
#3	18"
#4	24"
#5	30"
#6	36"
#7	42"
#8	48"
#9	55"
#10	61"
#11	68"

LEGEND

- NO. OF LOCATION
- NO. OF LIFT
- NO. OF BARS
- 2x2x1 #5x6'-6" VERTIS
- NO. OF LIFT (OR) NO. OF LOCATION
- NO. OF BARS
- LIFT 1 TO LIFT 6
- 2x1 #5x6'-6" VERTIS L1-L6



TYPICAL CMU WALL DETAILS
SCALE: 1/2"=1'-0"
REF: -
A/E PLEASE VERIFY BAR ARRANGEMENT (TYP.)



TYPICAL VERTICAL BAR LAPPING DETAIL

TYPICAL CMU WALL SECTION DETAILS

Abbreviations:

- IF=Inside Face
- OF=Outside Face
- EF=Each Face
- DWL=Dowel
- V=Vertical
- H=Horizontal
- C B=Center Bar
- S DWL=Slab Dowel
- E W=Each Way
- B/BOT=Bottom
- T=Top
- MDWL=Masonry Dowel
- B B=Roof Beam
- ALT=Alternate
- Approx. Approximate

OPNG=Opening
BAL=Balance
BTW=Between
CJ=Construction Joint
CLR=CLEARANCE
CMU=Concrete Masonry Unit
CONT=Continuous
EA=Each
Elev=Elevation
EMB=Embedment
SW=Short Way
LW=Long Way
(BL)=Black Bar
(EP)=Epoxy Bar
(GA)=Galvanized

NOTICE

Shortages, improper fabrication or claims for any other reason must be reported to this company within a period of 15 days of delivery. This company reserves the right to field inspect prior to replacement or reconditioning of nonconforming material, and will not honor charges for work done in the field without specific authorization from this company.

REINFORCING STEEL PLACING DRAWINGS ONLY USE IN CONJUNCTION WITH CONTRACT DRAWINGS & SPECIFICATIONS. ELEVATIONS & DIMENSIONS SHOWN ON THIS DRAWING ARE FOR DETAILING PURPOSES ONLY AND SHOULD NOT BE USED FOR CONSTRUCTION UNLESS VERIFIED BY ENGINEER OR CONTRACTOR.

REVISION MARK	REVISION DETAILS	DATE
0	FOR APPROVAL	10/22/2019

PROJECT	THE DIXWELL COMMUNITY CENTER - Q HOUSE							
LOCATION	197 DIXWELL AVENUE, NEW HAVEN, CT							
ARCHITECT	KENNETH BOROSON ARCHITECT							
ENGINEER	DIVERSIFIED TECHNOLOGY CONSULTANTS, INC							
CUSTOMER	JOE CAPASSO MANSONS							
DRAWN BY:	MRS	DATE:	10/22/19	REVIEWED BY:	T/L	JOB NO.:	19132	
DRAWING TITLE:	ELEVATIONS & DETAILS						DRAWING NO.:	R5