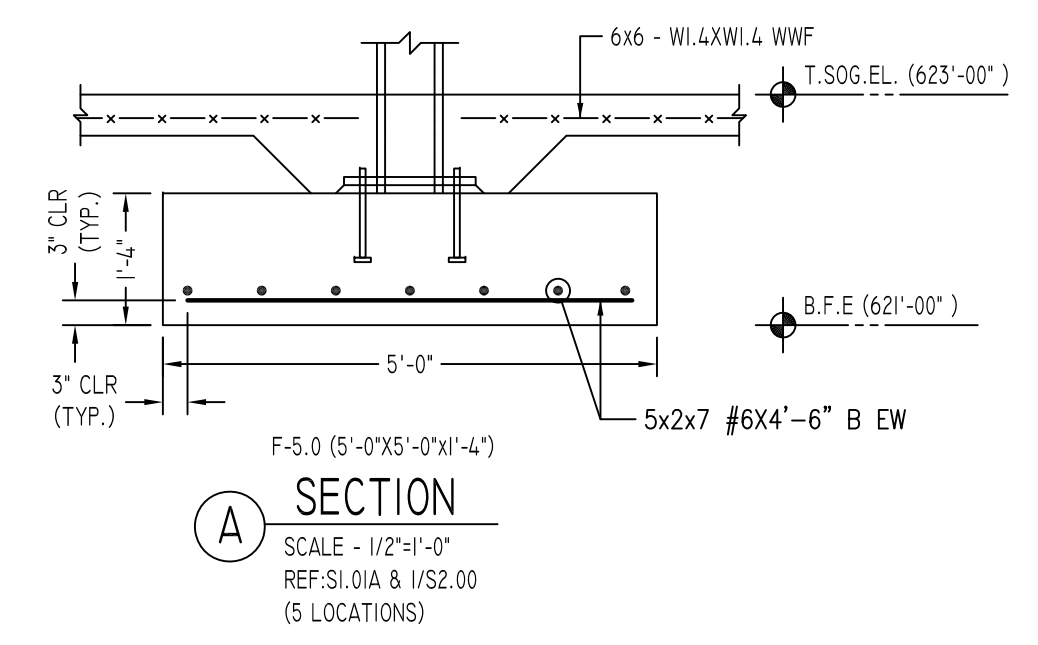
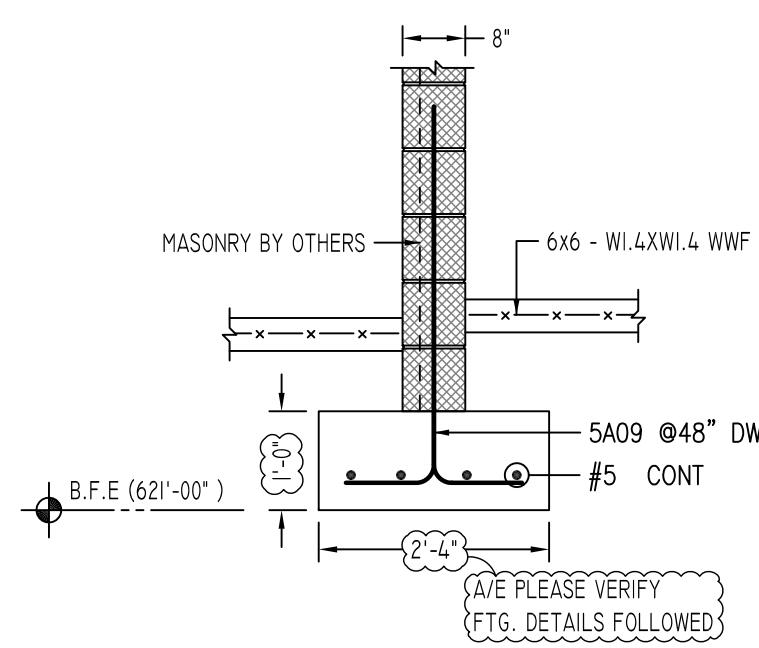


LAYOUT OF AREA - A FOUNDATION AND WALL DETAILS
 REF: S-1.1, S1.0B & S1.5
 SCALE - 1/8"=1'-0"

MESH DETAILS				
ELEMENT	MESH SIZE	SHEETS	AREA	REMARK
4" THK SLAB ON GRADE	6x6 - W1.4XW1.4 WWF	50	5880 SQ.FT	8'-0 X 15'-0 SHEET SIZE (15% LAP ADDED)

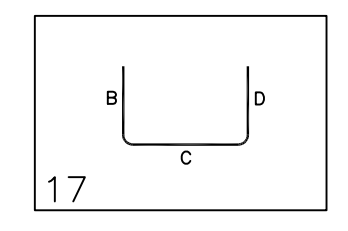


SECTION A
 SCALE - 1/2"=1'-0"
 REF: S1.0A & 1/52.00
 (5 LOCATIONS)



SECTION B
 SCALE - 1/2"=1'-0"
 REF: F2/S1.4
 (5 LOCATIONS)

Drawing Sheet: R01		BENDING DETAILS											
Bar Mark	Qty	Size	Total Length	Type	X'	Y'	Z'	BB'	BC'	W'	X'	Y'	Z'
5A09	11	#5	4'-9"	17									

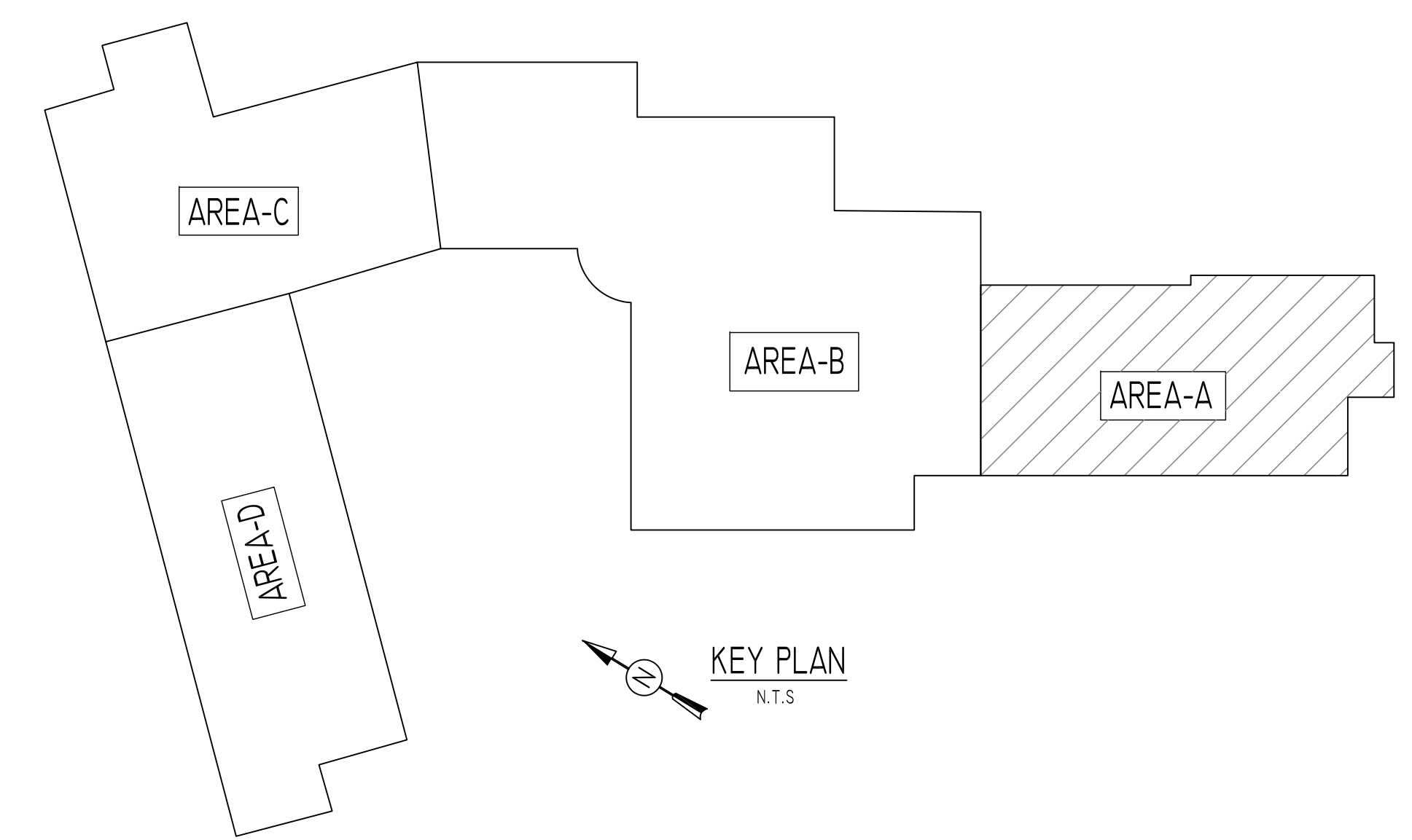


ALL BARS IN THIS DRAWING
 ASTM A615 GRADE 60
 BLACK UNCOATED

TYPICAL REINFORCING BAR CLEARANCE TABLE	
LOCATION	MIN. COVER
FOOTINGS AGAINST EARTH	3" CLR
COLUMNS AND PIERS (TIES, REINF.)	1 1/2" CLR
WALLS INTERIOR FACE	1 1/2" CLR
WALLS EXTERIOR FACE (#5 & SMALLER)	1 1/2" CLR
WALLS INTERIOR FACE (#6 & LARGER)	2" CLR
WALLS EXTERIOR FACE (#6 & LARGER)	2" CLR

FOOTING SCHEDULE			
TYPE	FOOTING SIZE		REINFORCEMENT EW
	LENGTH X WIDTH	DEPTH	
F5.0	5'-0" X 5'-0"	1'-4"	(7) - #6 EACH WAY
F5.5	5'-6" X 5'-6"	1'-6"	(8) - #6 EACH WAY

LAP SCHEDULE	
SIZE	36 X BD LAP
#4	18"
#5	23"
#6	27"
#7	32"



KEY PLAN
 N.T.S.

Abbreviations:
 I.F.=Inside Face
 O.F.=Outside Face
 E.F.=Each Face
 V=Vertical
 H=Horizontal
 C.B.=Corner Bar
 S.DWL.=Slab Dowel
 E.W.=Each Way
 B/BOT.=Bottom
 T=Top
 MDWL.= Masonry Dowel
 B.B.=Bond Beam
 ALT.=Alternate
 Approx.=Approximate

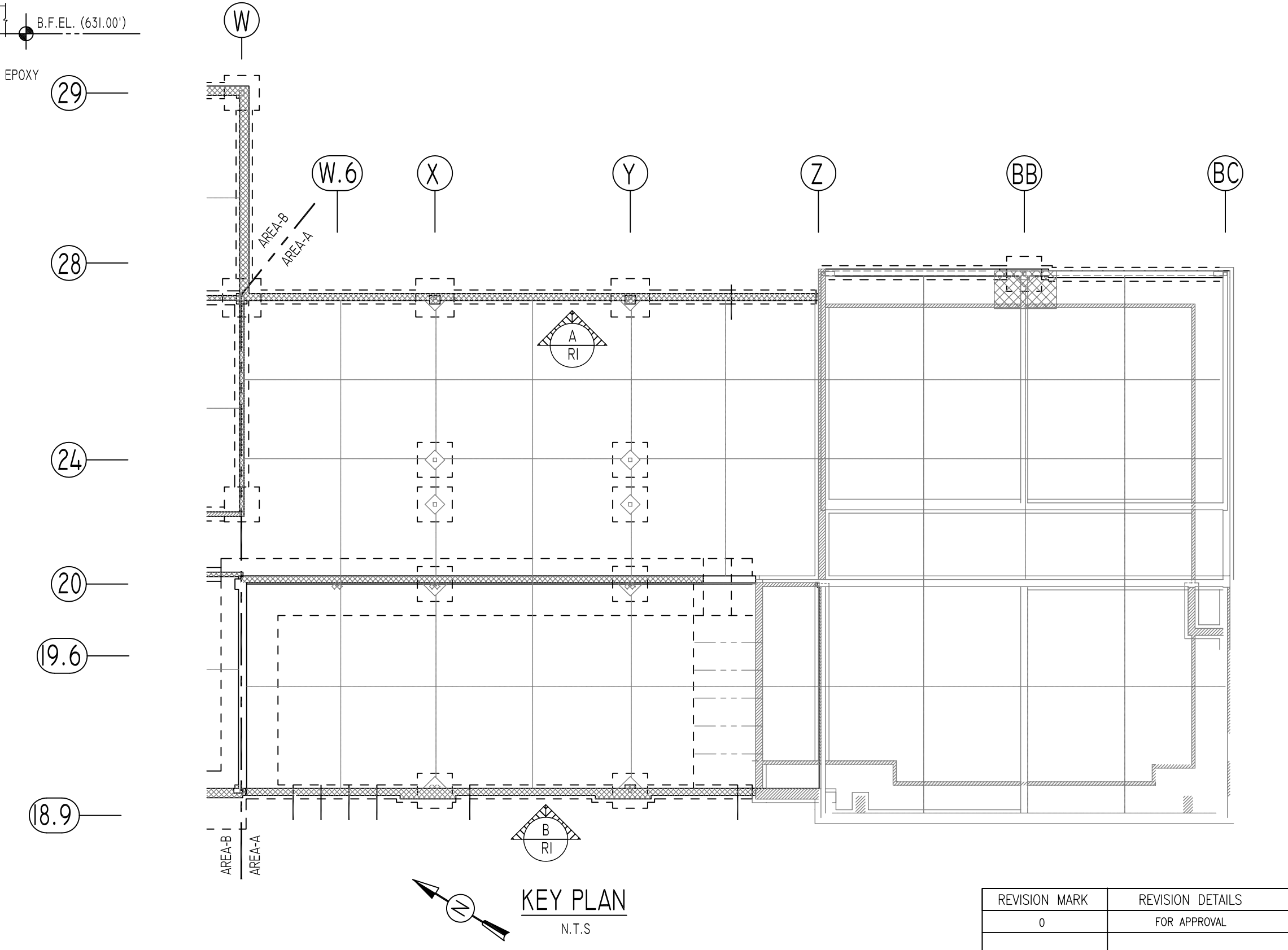
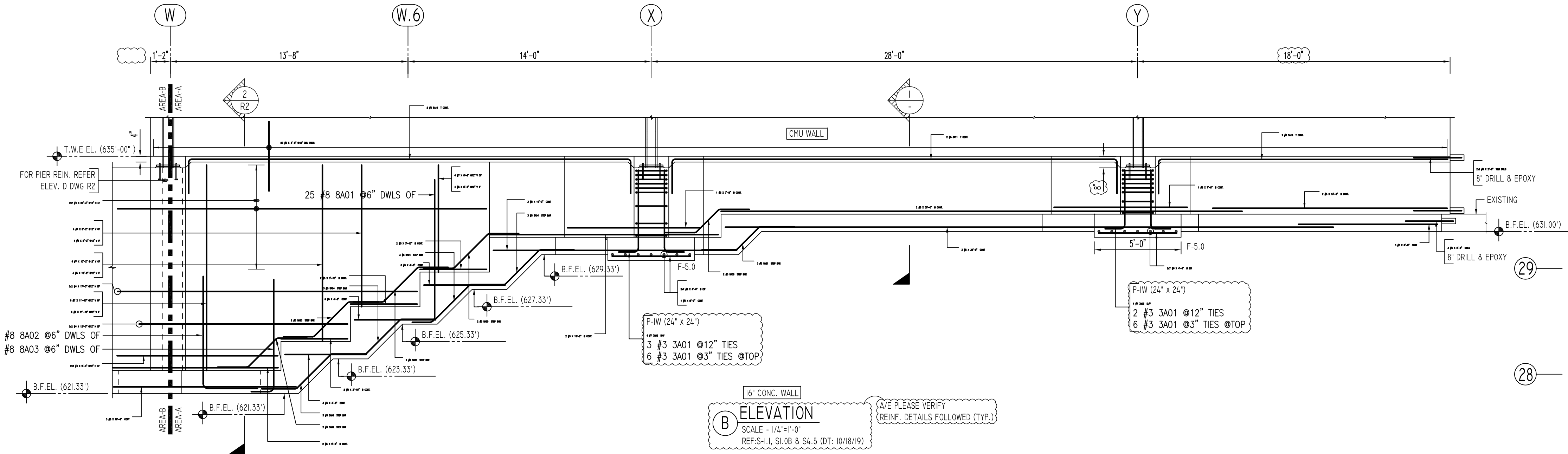
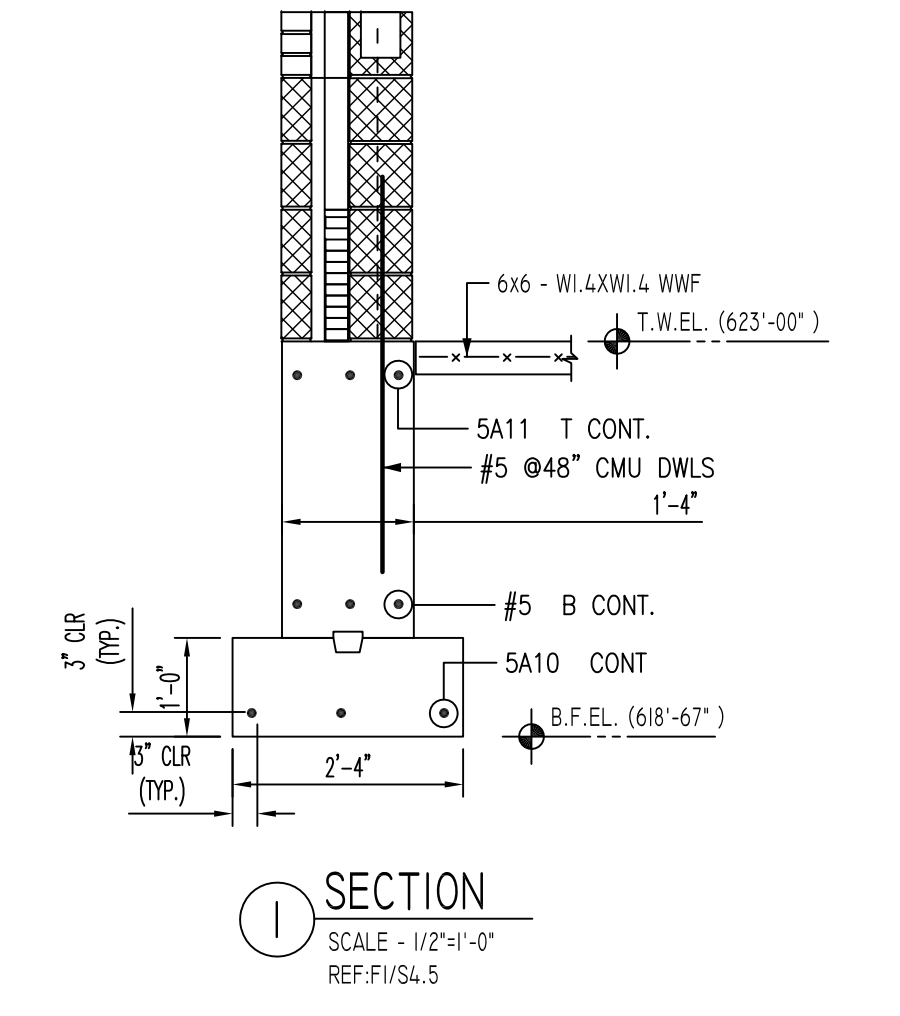
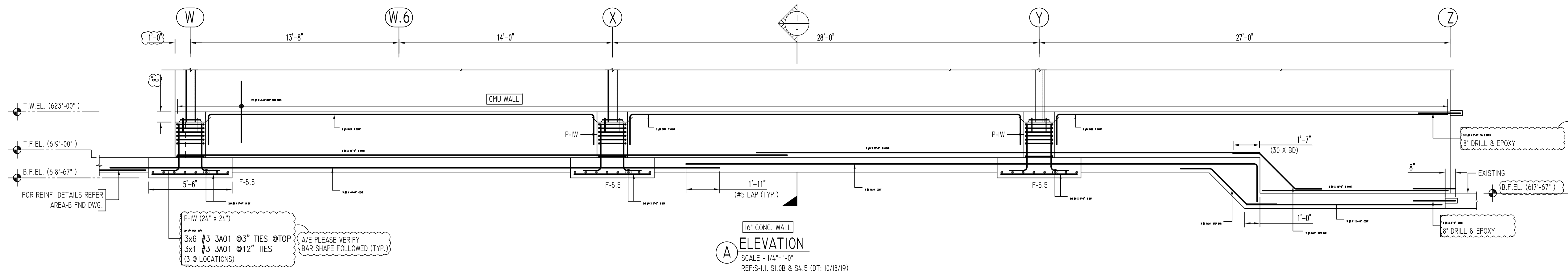
OPNG=Opening
 BAL.=Balance
 BTW.=Between
 CJ.=Construction Joint
 CLR.=CLEARANCE
 CMU.=Concrete Masonry Unit
 CONT.=Continuous
 EA.=Each
 Elev.=Elevation
 EMB.=Embedment
 SW.=Short Way
 LW.=Long Way
 (BL)=Black Bar
 (EP)=Epoxy Bar
 (GA)=Galvanized

NOTICE
 Shortages, improper fabrication or claims for any other reason must be reported to this company within a period of 15 days of delivery. This company reserves the right to field inspect prior to replacement or reconditioning of nonconforming material, and will not honor charges for work done in the field without specific authorization from this company.

REINFORCING STEEL PLACING DRAWINGS ONLY USE IN CONJUNCTION WITH CONTRACT DRAWINGS & SPECIFICATIONS. ELEVATIONS & DIMENSIONS SHOWN ON THIS DRAWING ARE FOR DETAILING PURPOSES ONLY AND SHOULD NOT BE USED FOR CONSTRUCTION UNLESS VERIFIED BY ENGINEER OR CONTRACTOR.

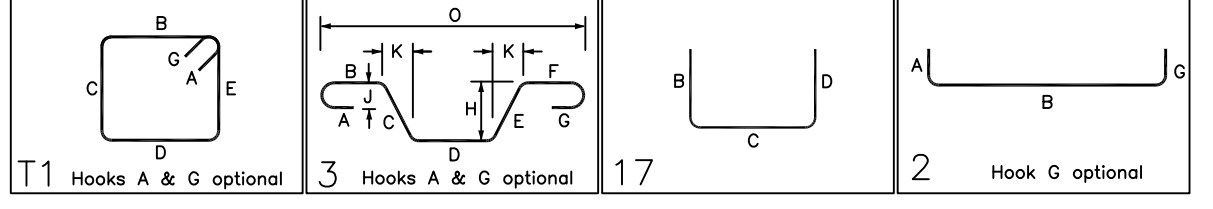
REVISION MARK	REVISION DETAILS	DATE
0	FOR APPROVAL	02/06/2020

PROJECT		WENDELL CROSS ELEMENTARY SCHOOL	
LOCATION		WATERBURY, CONNECTICUT	
ARCHITECT		-	
ENGINEER		SZEWCZAK ASSOCIATES	
CUSTOMER		G&G CONCRETE	
DRAWN BY:	DATE:	REVIEWED BY:	JOB NO.
KAS/MRS	02/06/20	T/L	20009
DRAWING TITLE:			DRAWING NO.:
AREA-A FOUNDATION & WALL REINFORCEMENT DETAILS			R01



Drawing Sheet : R1

Bar Mark	Qty	Size	Total Length	Type	X	Y	Z	W	V	U	T	S	R	Q	P	O	N	M	L	K	J	I	H	G	F	E	D	C	B	A
SA01	38	#3	7'-8"	11	0'-4"	1'-9"	1'-9"	1'-9"	1'-9"	1'-9"	1'-9"	1'-9"	1'-9"	1'-9"	1'-9"	1'-9"	1'-9"	1'-9"	1'-9"	1'-9"	1'-9"	1'-9"	1'-9"	1'-9"	1'-9"	1'-9"	1'-9"	1'-9"	1'-9"	1'-9"
SA03	2	#5	5'-10 3/4"	3		1'-9"	2'-4 3/4"	1'-9"																						
SA04	12	#5	6'-10"	3		2'-0"	2'-10"	2'-0"																						
SA07	2	#5	6'-9 3/4"	3		1'-9"	3'-3 3/4"	1'-9"																						
SA08	2	#5	5'-5"	3		1'-9"	1'-11"	1'-9"																						
SA10	3	#5	4'-0"	17		2'-0"	3'-4"	2'-0"																						
SA11	4	#5	2'-8"	17		2'-0"	2'-8"	2'-0"																						
SA18	2	#5	1'-8"	17		2'-0"	1'-8"	2'-0"																						
SA19	2	#5	2'-6"	17		2'-0"	2'-6"	2'-0"																						
SA20	6	#5	6'-4"	3		1'-9"	2'-10"	1'-9"																						
SA21	3	#5	5'-11"	3		2'-0"	1'-11"	2'-0"																						
SA22	2	#5	2'-8"	17		2'-0"	2'-8"	2'-0"																						
SA23	2	#5	2'-8"	17		2'-0"	3'-4"	2'-0"																						
SA24	3	#5	7'-3 3/4"	3		2'-0"	3'-3 3/4"	2'-0"																						
7A02	4	#7	5'-11"	2	1'-2"																									
7A03	4	#7	4'-7"	2	1'-2"																									
7A04	12	#7	4'-3"	2	1'-2"																									
8A01	25	#8	9'-7"	2	1'-4"																									
8A02	9	#8	9'-8"	17		3'-2"																								
8A03	2	#8	7'-10"	2	1'-4"																									



LAP SCHEDULE

SIZE	36 X 60
LAP	
#4	18"
#5	23"
#6	27"
#7	32"

TYPICAL REINFORCING BAR CLEARANCE TABLE

LOCATION	MIN. COVER
FOOTINGS AGAINST EARTH	3" CLR
COLUMNS AND PIERS (TIES, REINF.)	1 1/2" CLR
WALLS INTERIOR FACE	1 1/2" CLR
WALLS EXTERIOR FACE (#5 & SMALLER)	1 1/2" CLR
WALLS INTERIOR FACE (#6 & LARGER)	2" CLR
WALLS EXTERIOR FACE (#6 & LARGER)	2" CLR

**ALL BARS IN THIS DRAWING
ASTM A615 GRADE 60
BLACK UNCOATED**

Abbreviations:
I.F.=Inside Face
O.F.=Outside Face
E.F.=Each Face
DWL=Dowel
V=Vertical
H=Horizontal
C.B.=Corner Bar
S.DWL=Slab Dowel
E.W.=Each Way
B/BOT=Bottom
T=Top
MDWL=Masonry Dowel
B.B.=Bond Beam
ALT.=Alternate
Approx.=Approximate

OPNG=Opening
BAL=Balance
BTW=Between
CJ=Construction Joint
CLR=CLEARANCE
CMU=Concrete Masonry Unit
CONT=Continuous
EA=Each
Elev=Elevation
EMB=Embedment
SW=Short Way
LW=Long Way
BL=Black Bar
EP=Epoxy Bar
GA=Galvanized

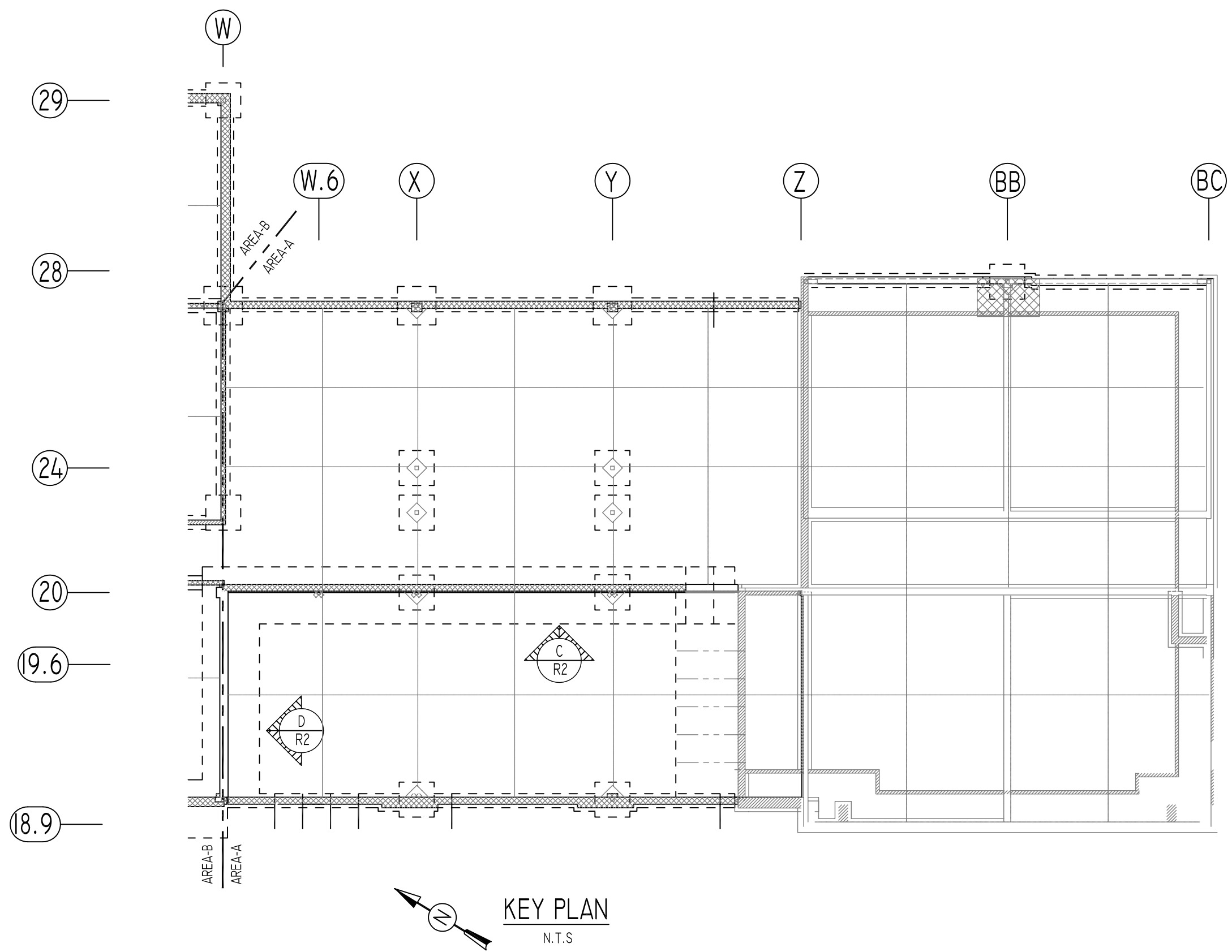
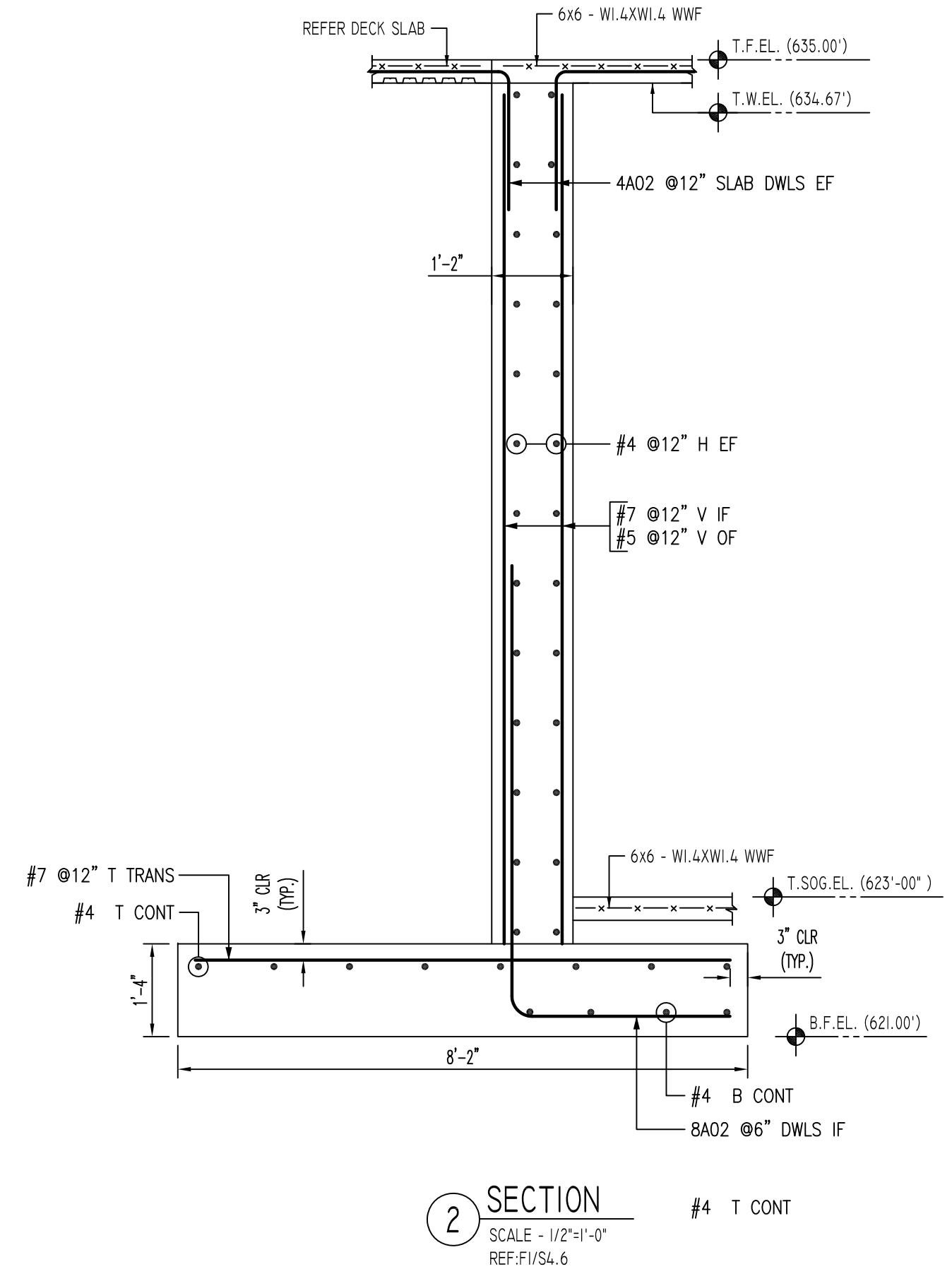
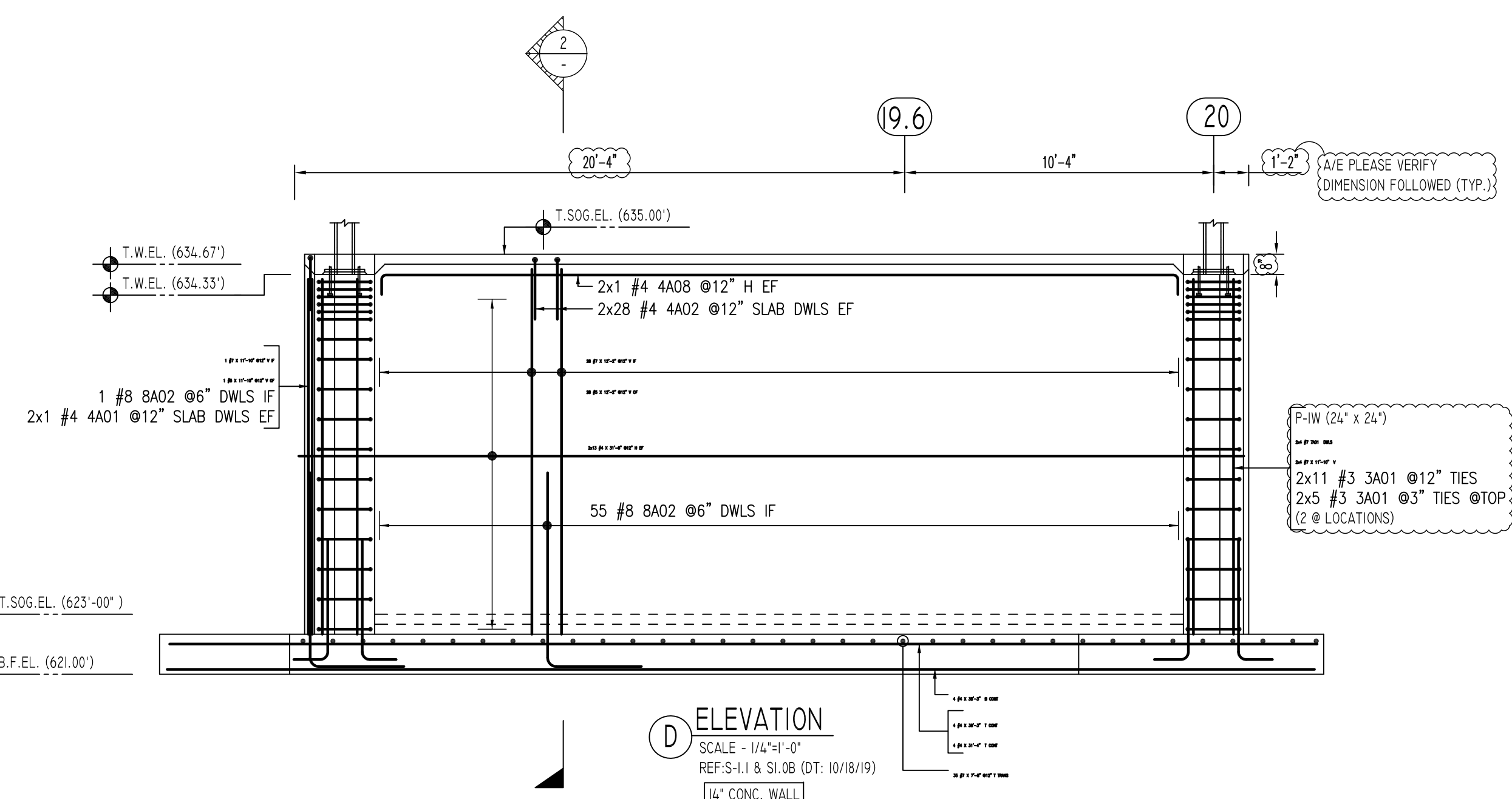
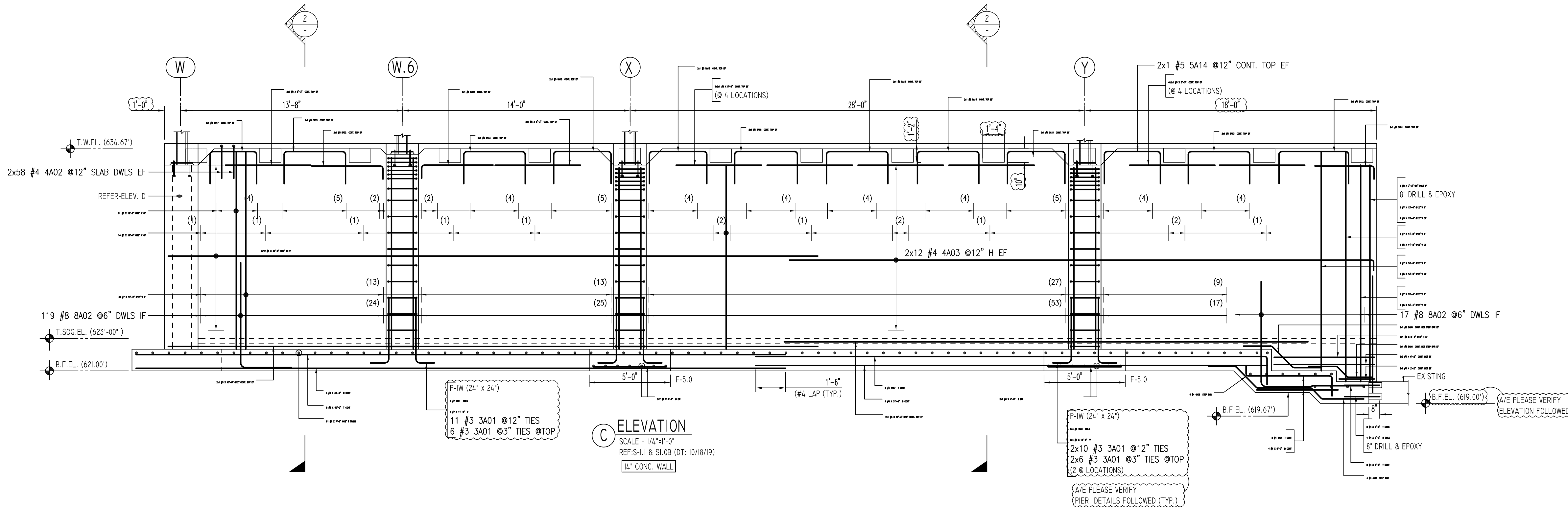
NOTICE

Shortages, improper fabrication or claims for any other reason must be reported to this company within a period of 15 days of delivery. This company reserves the right to field inspect prior to replacement or reconditioning of nonconforming material, and will not honor charges for work done in the field without specific authorization from this company.

REINFORCING STEEL PLACING DRAWINGS ONLY USE IN CONJUNCTION WITH CONTRACT DRAWINGS & SPECIFICATIONS. ELEVATIONS & DIMENSIONS SHOWN ON THIS DRAWING ARE FOR DETAILING PURPOSES ONLY AND SHOULD NOT BE USED FOR CONSTRUCTION UNLESS VERIFIED BY ENGINEER OR CONTRACTOR.

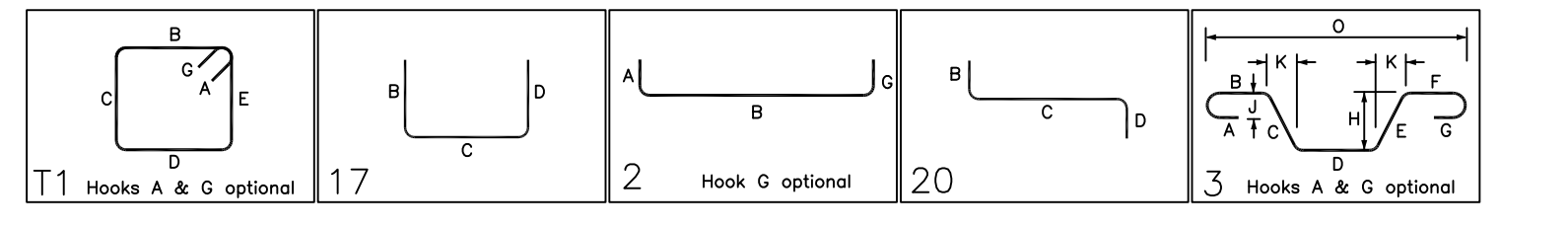
REVISION MARK	REVISION DETAILS	DATE
0	FOR APPROVAL	02/06/2020

PROJECT	WENDELL CROSS ELEMENTARY SCHOOL		
LOCATION	WATERBURY, CONNECTICUT		
ARCHITECT	-		
ENGINEER	SZEWCZAK ASSOCIATES		
CUSTOMER	G&G CONCRETE		
DRAWN BY:	KAS/MRS	DATE:	02/06/20
REVIEWED BY:	T/L	DATE:	02/06/20
DRAWING TITLE:	AREA-A FOUNDATION & WALL REINFORCEMENT DETAILS		JOB NO. 20009
			DRAWING NO.: R1



Drawing Sheet: R2

Bar Mark	Qty	Size	Total Length	Type	X	Y	Z	W	V	U	T	S	R	Q	P	O	N	M	L	K	J	I	H	G	F	E	D	C	B	A
3A01	81	#3	7'-8"	11	0'-4"	1'-8"	1'-8"	1'-8"	1'-8"	1'-8"	1'-8"	1'-8"	1'-8"	1'-8"	1'-8"	1'-8"	1'-8"	1'-8"	1'-8"	1'-8"	1'-8"	1'-8"	1'-8"	1'-8"	1'-8"	1'-8"	1'-8"	1'-8"	1'-8"	1'-8"
4A01	2	#4	4'-0"	17	1'-8"	1'-8"	1'-8"	1'-8"	1'-8"	1'-8"	1'-8"	1'-8"	1'-8"	1'-8"	1'-8"	1'-8"	1'-8"	1'-8"	1'-8"	1'-8"	1'-8"	1'-8"	1'-8"	1'-8"	1'-8"	1'-8"	1'-8"	1'-8"	1'-8"	1'-8"
4A02	172	#4	4'-0"	17	2'-0"	2'-0"	2'-0"	2'-0"	2'-0"	2'-0"	2'-0"	2'-0"	2'-0"	2'-0"	2'-0"	2'-0"	2'-0"	2'-0"	2'-0"	2'-0"	2'-0"	2'-0"	2'-0"	2'-0"	2'-0"	2'-0"	2'-0"	2'-0"	2'-0"	2'-0"
4A03	24	#4	36'-8"	2	0'-8"	36'-0"	36'-0"	36'-0"	36'-0"	36'-0"	36'-0"	36'-0"	36'-0"	36'-0"	36'-0"	36'-0"	36'-0"	36'-0"	36'-0"	36'-0"	36'-0"	36'-0"	36'-0"	36'-0"	36'-0"	36'-0"	36'-0"	36'-0"	36'-0"	36'-0"
4A04	8	#4	7'-3"	20	0'-8"	5'-4"	1'-3"	1'-3"	1'-3"	1'-3"	1'-3"	1'-3"	1'-3"	1'-3"	1'-3"	1'-3"	1'-3"	1'-3"	1'-3"	1'-3"	1'-3"	1'-3"	1'-3"	1'-3"	1'-3"	1'-3"	1'-3"	1'-3"	1'-3"	1'-3"
4A05	4	#4	5'-2 1/2"	3	1'-8"	0'-11 1/2"	2'-7"	2'-7"	2'-7"	2'-7"	2'-7"	2'-7"	2'-7"	2'-7"	2'-7"	2'-7"	2'-7"	2'-7"	2'-7"	2'-7"	2'-7"	2'-7"	2'-7"	2'-7"	2'-7"	2'-7"	2'-7"	2'-7"	2'-7"	2'-7"
4A06	4	#4	5'-2 1/2"	3	1'-8"	1'-10 1/2"	1'-8"	1'-8"	1'-8"	1'-8"	1'-8"	1'-8"	1'-8"	1'-8"	1'-8"	1'-8"	1'-8"	1'-8"	1'-8"	1'-8"	1'-8"	1'-8"	1'-8"	1'-8"	1'-8"	1'-8"	1'-8"	1'-8"	1'-8"	1'-8"
4A07	8	#4	33'-3"	17	1'-8"	31'-8"	31'-8"	31'-8"	31'-8"	31'-8"	31'-8"	31'-8"	31'-8"	31'-8"	31'-8"	31'-8"	31'-8"	31'-8"	31'-8"	31'-8"	31'-8"	31'-8"	31'-8"	31'-8"	31'-8"	31'-8"	31'-8"	31'-8"	31'-8"	31'-8"
4A08	2	#4	27'-11"	2	0'-8"	26'-7"	26'-7"	26'-7"	26'-7"	26'-7"	26'-7"	26'-7"	26'-7"	26'-7"	26'-7"	26'-7"	26'-7"	26'-7"	26'-7"	26'-7"	26'-7"	26'-7"	26'-7"	26'-7"	26'-7"	26'-7"	26'-7"	26'-7"	26'-7"	26'-7"
5A01	2	#5	4'-8"	2	0'-10"	3'-8"	3'-8"	3'-8"	3'-8"	3'-8"	3'-8"	3'-8"	3'-8"	3'-8"	3'-8"	3'-8"	3'-8"	3'-8"	3'-8"	3'-8"	3'-8"	3'-8"	3'-8"	3'-8"	3'-8"	3'-8"	3'-8"	3'-8"	3'-8"	3'-8"
5A02	4	#5	5'-3"	2	0'-10"	4'-5"	4'-5"	4'-5"	4'-5"	4'-5"	4'-5"	4'-5"	4'-5"	4'-5"	4'-5"	4'-5"	4'-5"	4'-5"	4'-5"	4'-5"	4'-5"	4'-5"	4'-5"	4'-5"	4'-5"	4'-5"	4'-5"	4'-5"	4'-5"	4'-5"
5A05	2	#5	5'-4 1/2"	3	1'-9"	1'-10 1/2"	1'-9"	1'-9"	1'-9"	1'-9"	1'-9"	1'-9"	1'-9"	1'-9"	1'-9"	1'-9"	1'-9"	1'-9"	1'-9"	1'-9"	1'-9"	1'-9"	1'-9"	1'-9"	1'-9"	1'-9"	1'-9"	1'-9"	1'-9"	1'-9"
5A06	2	#5	4'-2 1/2"	3	1'-8"	0'-11 1/2"	1'-9"	1'-9"	1'-9"	1'-9"	1'-9"	1'-9"	1'-9"	1'-9"	1'-9"	1'-9"	1'-9"	1'-9"	1'-9"	1'-9"	1'-9"	1'-9"	1'-9"	1'-9"	1'-9"	1'-9"	1'-9"	1'-9"	1'-9"	1'-9"
5A12	2	#5	8'-4"	17	2'-0"	4'-4"	2'-0"	2'-0"	2'-0"	2'-0"	2'-0"	2'-0"	2'-0"	2'-0"	2'-0"	2'-0"	2'-0"	2'-0"	2'-0"	2'-0"	2'-0"	2'-0"	2'-0"	2'-0"	2'-0"	2'-0"	2'-0"	2'-0"	2'-0"	2'-0"
5A13	10	#5	7'-10"	17	2'-0"	3'-10"	2'-0"	2'-0"	2'-0"	2'-0"	2'-0"	2'-0"	2'-0"	2'-0"	2'-0"	2'-0"	2'-0"	2'-0"	2'-0"	2'-0"	2'-0"	2'-0"	2'-0"	2'-0"	2'-0"	2'-0"	2'-0"	2'-0"	2'-0"	2'-0"
5A14	2	#5	7'-9"	17	2'-0"	3'-8"	2'-0"	2'-0"	2'-0"	2'-0"	2'-0"	2'-0"	2'-0"	2'-0"	2'-0"	2'-0"	2'-0"	2'-0"	2'-0"	2'-0"	2'-0"	2'-0"	2'-0"	2'-0"	2'-0"	2'-0"	2'-0"	2'-0"	2'-0"	2'-0"
5A15	6	#5	7'-7"	17	2'-0"	3'-7"	2'-0"	2'-0"	2'-0"	2'-0"	2'-0"	2'-0"	2'-0"	2'-0"	2'-0"	2'-0"	2'-0"	2'-0"	2'-0"	2'-0"	2'-0"	2'-0"	2'-0"	2'-0"	2'-0"	2'-0"	2'-0"	2'-0"	2'-0"	2'-0"
5A16	2	#5	7'-11"	17	2'-0"	3'-11"	2'-0"	2'-0"	2'-0"	2'-0"	2'-0"	2'-0"	2'-0"	2'-0"	2'-0"	2'-0"	2'-0"	2'-0"	2'-0"	2'-0"	2'-0"	2'-0"	2'-0"	2'-0"	2'-0"	2'-0"	2'-0"	2'-0"	2'-0"	2'-0"
5A17	2	#5	6'-11"	17	2'-0"	2'-11"	2'-0"	2'-0"	2'-0"	2'-0"	2'-0"	2'-0"	2'-0"	2'-0"	2'-0"	2'-0"	2'-0"	2'-0"	2'-0"	2'-0"	2'-0"	2'-0"	2'-0"	2'-0"	2'-0"	2'-0"	2'-0"	2'-0"	2'-0"	2'-0"
7A01	20	#7	5'-2"	2	1'-2"	4'-0"	4'-0"	4'-0"	4'-0"	4'-0"	4'-0"	4'-0"	4'-0"	4'-0"	4'-0"	4'-0"	4'-0"	4'-0"	4'-0"	4'-0"	4'-0"	4'-0"	4'-0"	4'-0"	4'-0"	4'-0"	4'-0"	4'-0"	4'-0"	4'-0"
8A02	192	#8	9'-8"	17	3'-2"	6'-8"	6'-8"	6'-8"	6'-8"	6'-8"	6'-8"	6'-8"	6'-8"	6'-8"	6'-8"	6'-8"	6'-8"	6'-8"	6'-8"	6'-8"	6'-8"	6'-8"	6'-8"	6'-8"	6'-8"	6'-8"	6'-8"	6'-8"	6'-8"	6'-8"



LAP SCHEDULE

SIZE	36 X BD
#4	18"
#5	23"
#6	27"
#7	32"

TYPICAL REINFORCING BAR CLEARANCE TABLE

LOCATION	MIN. COVER
FOOTINGS AGAINST EARTH	3" CLR
COLUMNS AND PIERS (TIES, REINF.)	1 1/2" CLR
WALLS INTERIOR FACE	1 1/2" CLR
WALLS EXTERIOR FACE (#5 & SMALLER)	1 1/2" CLR
WALLS INTERIOR FACE (#6 & LARGER)	2" CLR
WALLS EXTERIOR FACE (#6 & LARGER)	2" CLR

**ALL BARS IN THIS DRAWING
ASTM A615 GRADE 60
BLACK UNCOATED**

Abbreviations:
 I.F.=Inside Face
 O.F.=Outside Face
 E.F.=Each Face
 C.L.=Construction Joint
 CLR.=CLEARANCE
 CMU.=Concrete Masonry Unit
 CONT.=Continuous
 EA.=Each
 Elev.=Elevation
 EMB.=Embedment
 SW.=Short Way
 MDWL.=Masonry Dowel
 LW.=Long Way
 B.B.=Bond Beam
 ALT.=Alternate
 Approx.=Approximate

OPNG=Opening
 BAL.=Balance
 BTW.=Between
 CJ.=Construction Joint
 CLR.=CLEARANCE
 CMU.=Concrete Masonry Unit
 CONT.=Continuous
 EA.=Each
 Elev.=Elevation
 EMB.=Embedment
 SW.=Short Way
 MDWL.=Masonry Dowel
 LW.=Long Way
 B.B.=Bond Beam
 ALT.=Alternate
 Approx.=Approximate

NOTICE

Shortages, improper fabrication or claims for any other reason must be reported to this company within a period of 15 days of delivery. This company reserves the right to field inspect prior to replacement or reconditioning of nonconforming material, and will not honor charges for work done in the field without specific authorization from this company.

REINFORCING STEEL PLACING DRAWINGS ONLY USE IN CONJUNCTION WITH CONTRACT DRAWINGS & SPECIFICATIONS. ELEVATIONS & DIMENSIONS SHOWN ON THIS DRAWING ARE FOR DETAILING PURPOSES ONLY AND SHOULD NOT BE USED FOR CONSTRUCTION UNLESS VERIFIED BY ENGINEER OR CONTRACTOR.

REVISION MARK	REVISION DETAILS	DATE
0	FOR APPROVAL	02/06/2020

PROJECT	WENDELL CROSS ELEMENTARY SCHOOL
LOCATION	WATERBURY, CONNECTICUT
ARCHITECT	-
ENGINEER	SZEWCAZAK ASSOCIATES
CUSTOMER	G&G CONCRETE
DRAWN BY:	KAS/MRS
DATE:	02/06/20
REVIEWED BY:	T/L
JOB NO.	20009
DRAWING TITLE:	AREA-A FOUNDATION & WALL REINFORCEMENT DETAILS
DRAWING NO.:	R2