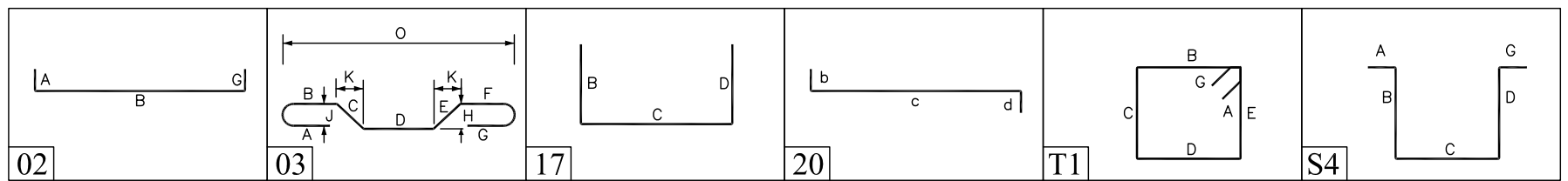


ELEMENT	MESH SIZE	SHEETS	AREA	REMARK
4" THK SLAB ON GRADE	6x6 - W1.4XW1.4 WWF	709	25300 SQ.FT	5'-0" X 10'-0" SHEET SIZE (40% LAP ADDED)
6" THK SLAB ON GRADE	6x6 - W2.9XW2.9 WWF	6	180 SQ.FT	5'-0" X 10'-0" SHEET SIZE (40% LAP ADDED)

Bar Mark	Qty	Size	Total length	ft	'	"	'	"	'	"	'	"	'	"
B301	40	#3	58'	11	4"	13'	13"	13"	13"	13"	4"	2 1/2"		
B401	4	#4	79'	17	19"	24'	31"	24"						
B402	5	#4	74'	16	19"	8"	26"	8"			19"			
B403	3	#4	10'	3	27 1/2"	11 1/2"	39 1/2"	11 1/2"	27 1/2"		8 1/2"	7 1/2"	96"	
B404	2	#4	63'	3	33 1/2"	11 1/2"	20"				8 1/2"	7 1/2"	51 1/2"	
B405	3	#4	47'	2	8"	31"								
B501	12	#5	70'	17	26"	46"								
B502	4	#5	48'	2	10"	31"								
B503	188	#5	43'	2	10"	35"								
B504	27	#5	56'	2	10"	48"								
B505	8	#5	73'	3	20"	33 1/2"	20"			24 1/2"	23 1/2"	63 1/2"		
B506	4	#5	80'	3	20"	48 1/2"	20"			210 1/2"	29 1/2"	69 1/2"		
B507	4	#5	66'	2	20"	25"	21"							
B508	8	#5	45'	3	20"	5 1/2"	20"			4 1/2"	3 1/2"	43 1/2"		
B701	8	#7	52'	2	17"	4"								

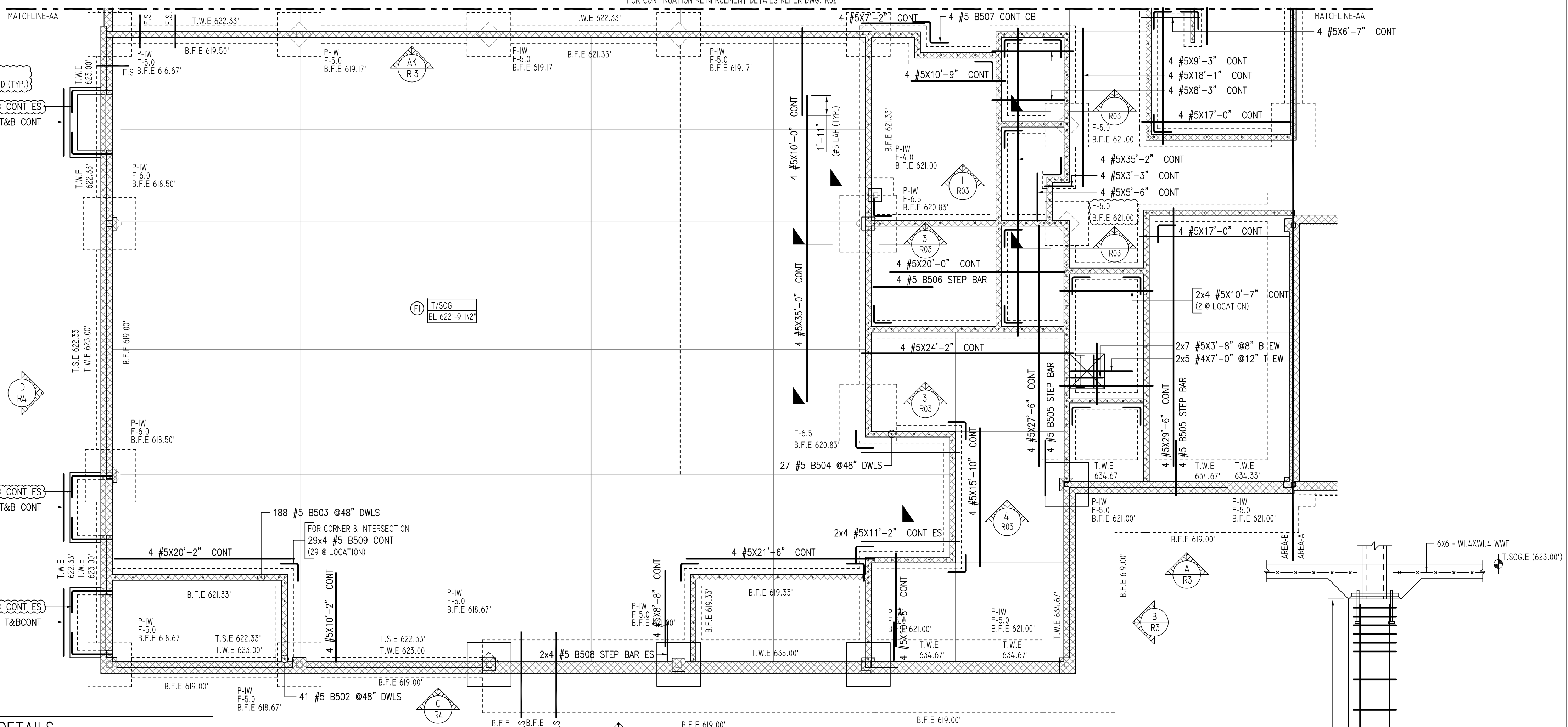


SIZE	36 X BD
#4	18"
#5	23"
#6	27"
#7	32"

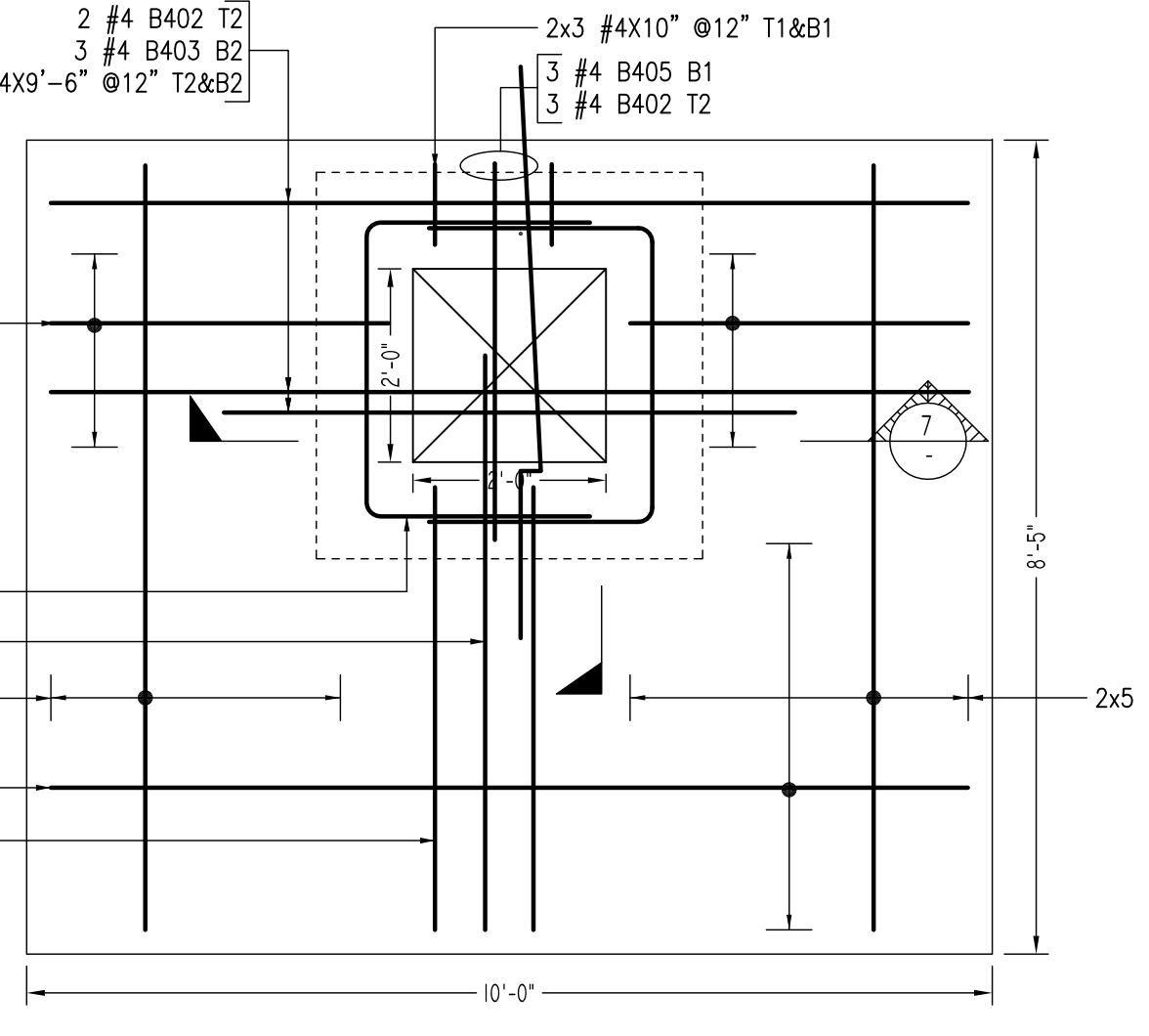
LOCATION	MIN. COVER
FOOTINGS AGAINST EARTH	3" CLR
COLUMNS AND PIERS (TIES, REINF.)	1 1/2" CLR
WALLS INTERIOR FACE	1 1/2" CLR
WALLS EXTERIOR FACE (#5 & SMALLER)	1 1/2" CLR
WALLS INTERIOR FACE (#6 & LARGER)	2" CLR
WALLS EXTERIOR FACE (#6 & LARGER)	2" CLR

TYPE	FOOTING SIZE		REINFORCEMENT EW
	LENGTH X WIDTH	DEPTH	
F5.0	5'-0"X5'-0"	1'-4"	(7)- #6 EACH WAY
F5.5	5'-6"X5'-6"	1'-6"	(8)- #6 EACH WAY
F6.0	6'-0"X6'-0"	1'-8"	(9)- #6 EACH WAY
F6.5	6'-6"X6'-6"	1'-8"	(8)- #7 EACH WAY

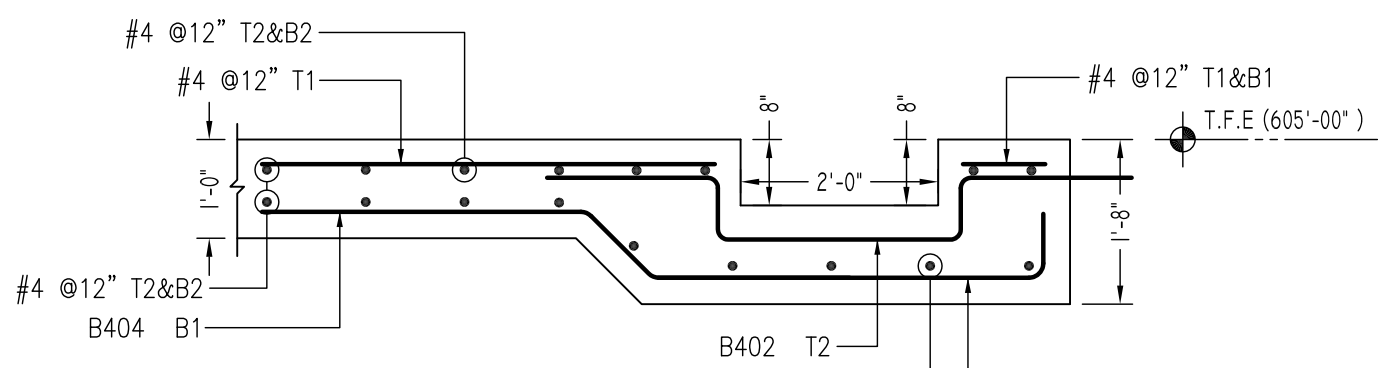
**ALL BARS IN THIS DRAWING
ASTM A615 GRADE 60
BLACK UNCOATED**



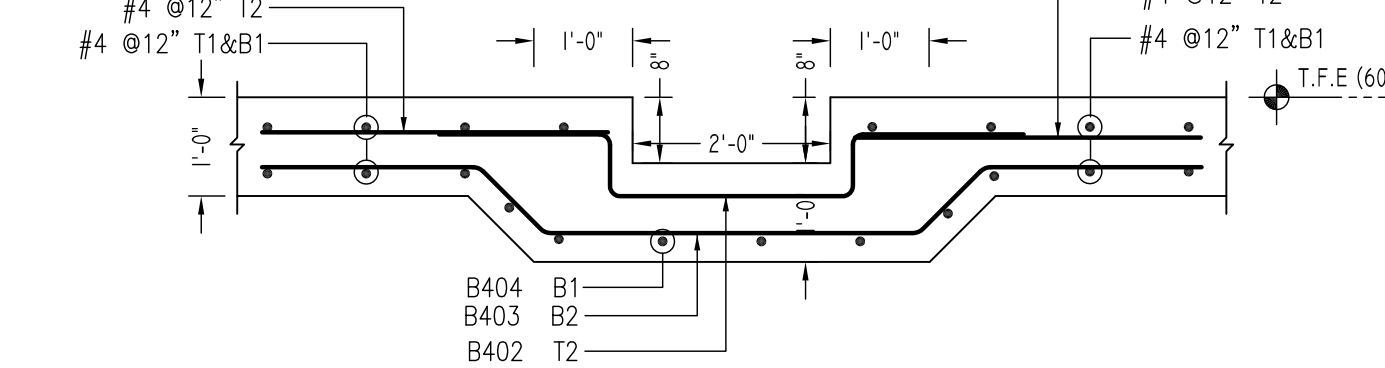
LAYOUT OF AREA - B FOUNDATION AND WALL DETAILS
SCALE - 1/8"=1'-0"



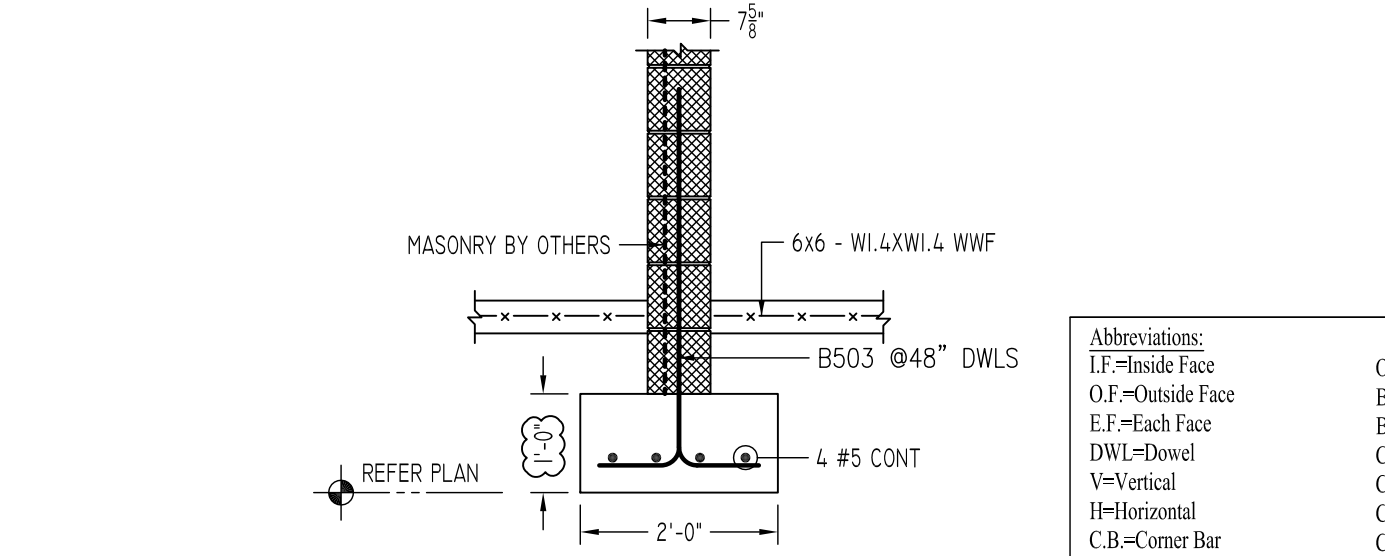
ELEVATOR PIT REINFORCEMENT DETAILS
SCALE - 1/2"=1'-0"



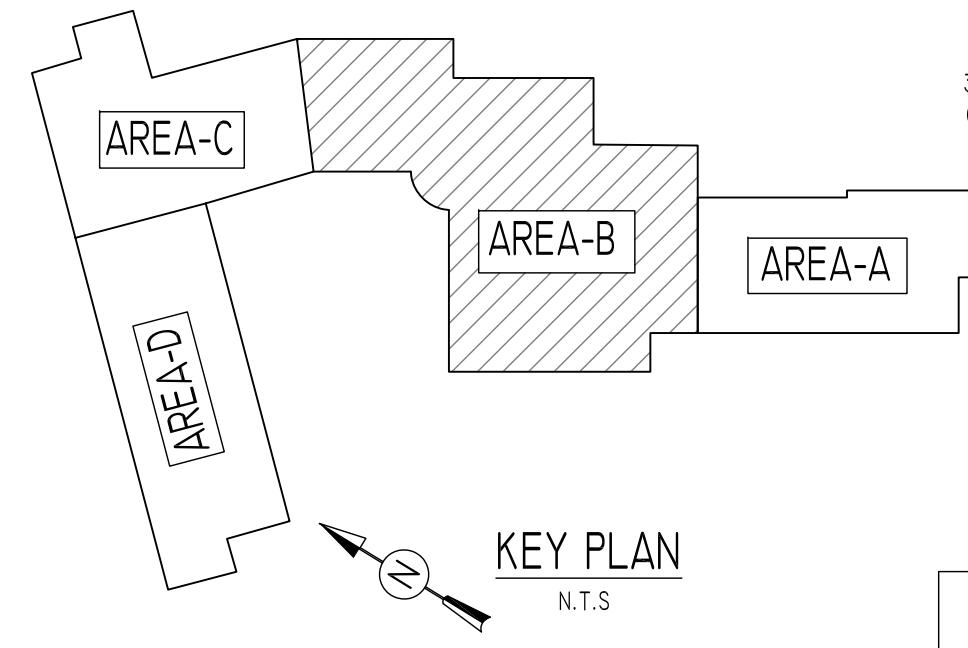
SECTION 6
SCALE - 1/2"=1'-0"



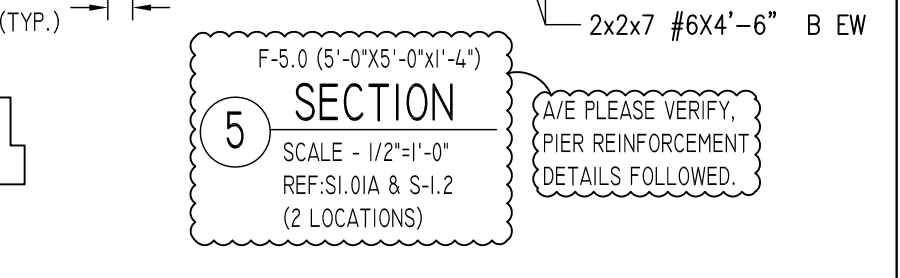
SECTION 7
SCALE - 1/2"=1'-0"



SECTION 4
SCALE - 1/2"=1'-0"



KEY PLAN
N.T.S.



SECTION 5
SCALE - 1/2"=1'-0"

Abbreviations:
 IF=Inside Face
 OF=Outside Face
 EF=Each Face
 DWL=Dowel
 V=Vertical
 H=Horizontal
 C-B=Corner Bar
 S-DWL=Slab Dowel
 E-W=Each Way
 B-BOT=Bottom
 T=Top
 MDWL=Masonry Dowel
 B-B=Bond Beam
 ALT.=Alternate
 Approx. Approximate

OPNG=Opening
 BAL=Balance
 BTW=Between
 C=Construction Joint
 CLR=CLEARANCE
 CMU=Concrete Masonry Unit
 CONT=Continuous
 EA=Each
 Elev.=Elevation
 EMB=Embedment
 SW=Short Way
 LW=Long Way
 (BL)=Black Bar
 (EP)=Epoxy Bar
 (GA)=Galvanized

NOTICE
 Shortages, improper fabrication or claims for any other reason must be reported to this company within a period of 15 days of delivery. This company reserves the right to field inspect prior to replacement or reconditioning of nonconforming material, and will not honor charges for work done in the field without specific authorization from this company.

REINFORCING STEEL PLACING DRAWINGS ONLY USE IN CONJUNCTION WITH CONTRACT DRAWINGS & SPECIFICATIONS. ELEVATIONS & DIMENSIONS SHOWN ON THIS DRAWING ARE FOR DETAILING PURPOSES ONLY AND SHOULD NOT BE USED FOR CONSTRUCTION UNLESS VERIFIED BY ENGINEER OR CONTRACTOR.

REVISION MARK	REVISION DETAILS	DATE
0	FOR APPROVAL	02/19/2020

PROJECT	WENDELL CROSS ELEMENTARY SCHOOL
LOCATION	WATERBURY, CONNECTICUT
ARCHITECT	
ENGINEER	SZEWCZAK ASSOCIATES
CUSTOMER	G&G CONCRETE
DRAWN BY:	RPR/MRS
DATE:	02/19/20
REVIEWED BY:	T/L
JOB NO.:	20009
DRAWING TITLE:	AREA-B FOUNDATION & WALL REINFORCEMENT DETAILS
DRAWING NO.:	R03