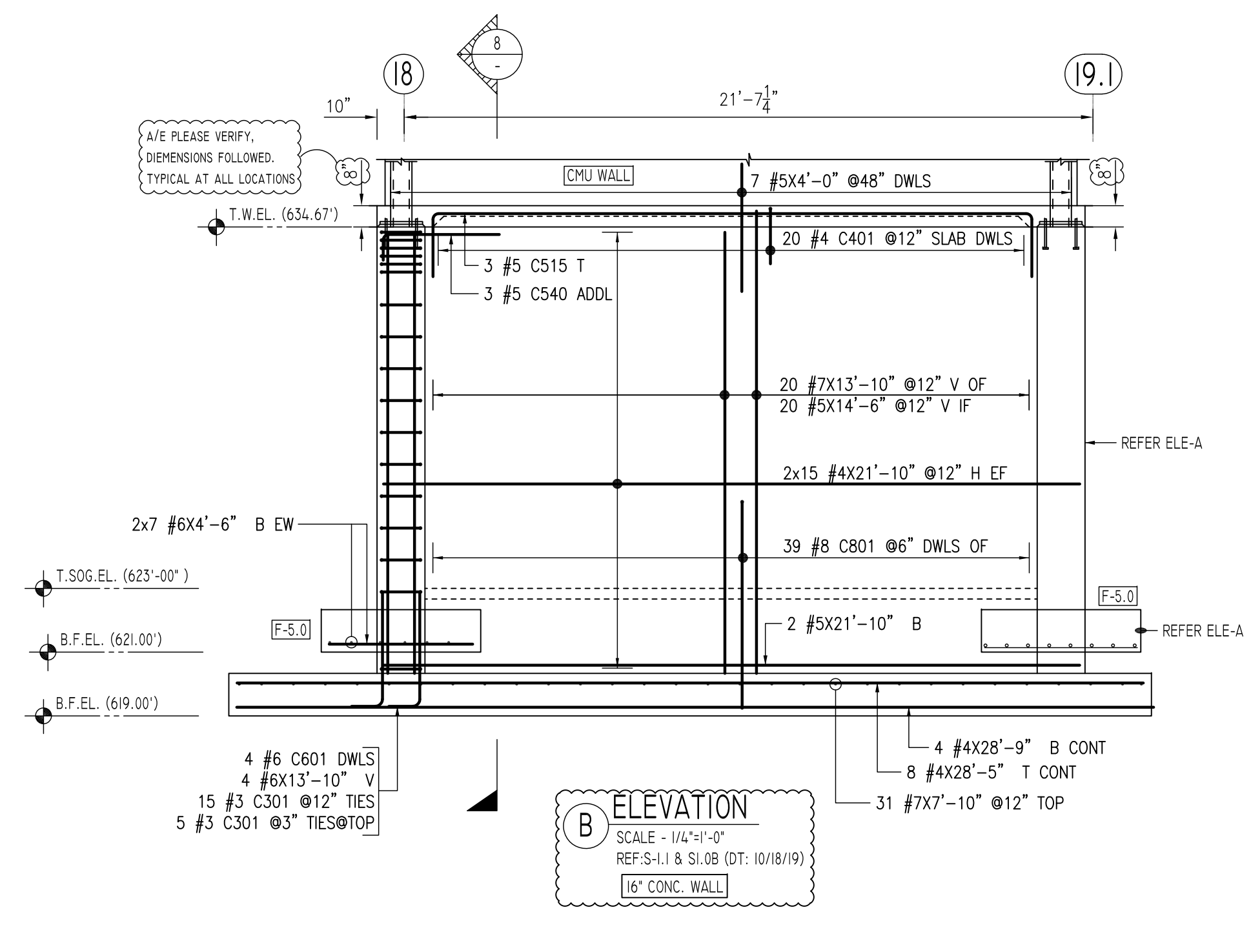
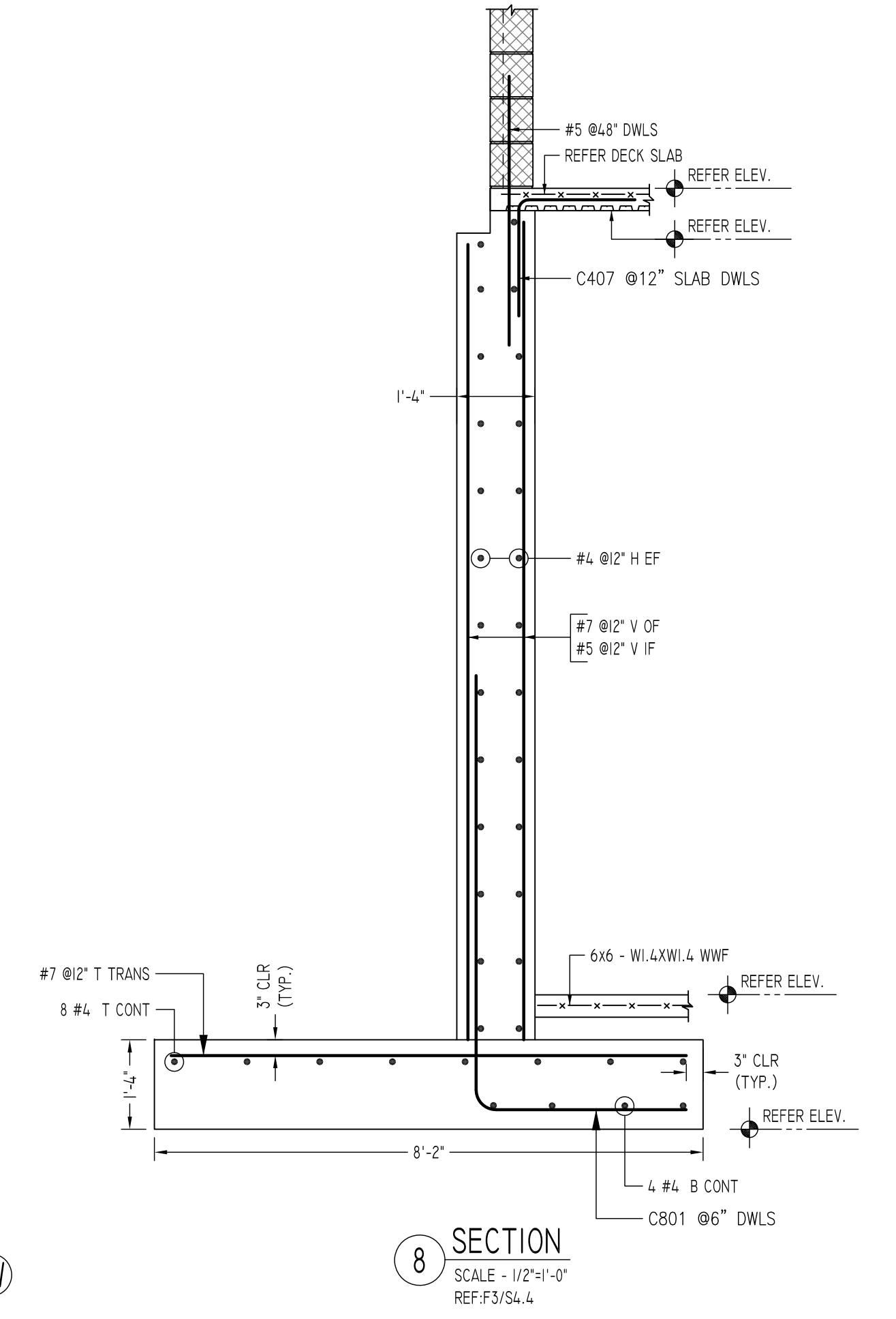


A ELEVATION
SCALE - 1/4"=1'-0"
REF.S-1.1 & S1.0B (DT: 10/18/19)
16" CONC. WALL

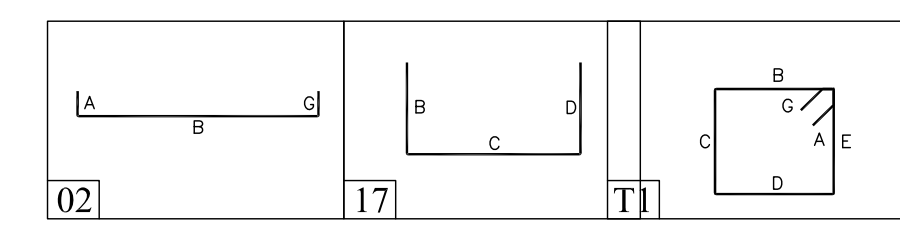


B ELEVATION
SCALE - 1/4"=1'-0"
REF.S-1.1 & S1.0B (DT: 10/18/19)
16" CONC. WALL



SECTION 8
SCALE - 1/2"=1'-0"
REF.F-3/S4.4

C301	59	#3	5'8"	11'	4'	13'	13'	13'	4'	2 1/2'
C401	53	#4	3'6"	17'		19'	19'			
C512	3	#5	6'4"	17'		2'0"	2'4"	2'0"		
C513	3	#5	6'10"	17'		2'0"	2'10"	2'0"		
C514	2	#5	20'3"	17'		2'0"	16'3"	2'0"		
C515	3	#5	22'10"	17'		2'0"	18'10"	2'0"		
C540	6	#5	4'6"	2	10"	3'8"				
C601	12	#6	4'7"	2	10"	3'7"				
C801	87	#8	9'8"	17'		3'2"	6'6"			



LAP SCHEDULE

SIZE	36 X BD
	LAP
#4	18"
#5	27"
#6	32"
#7	36"

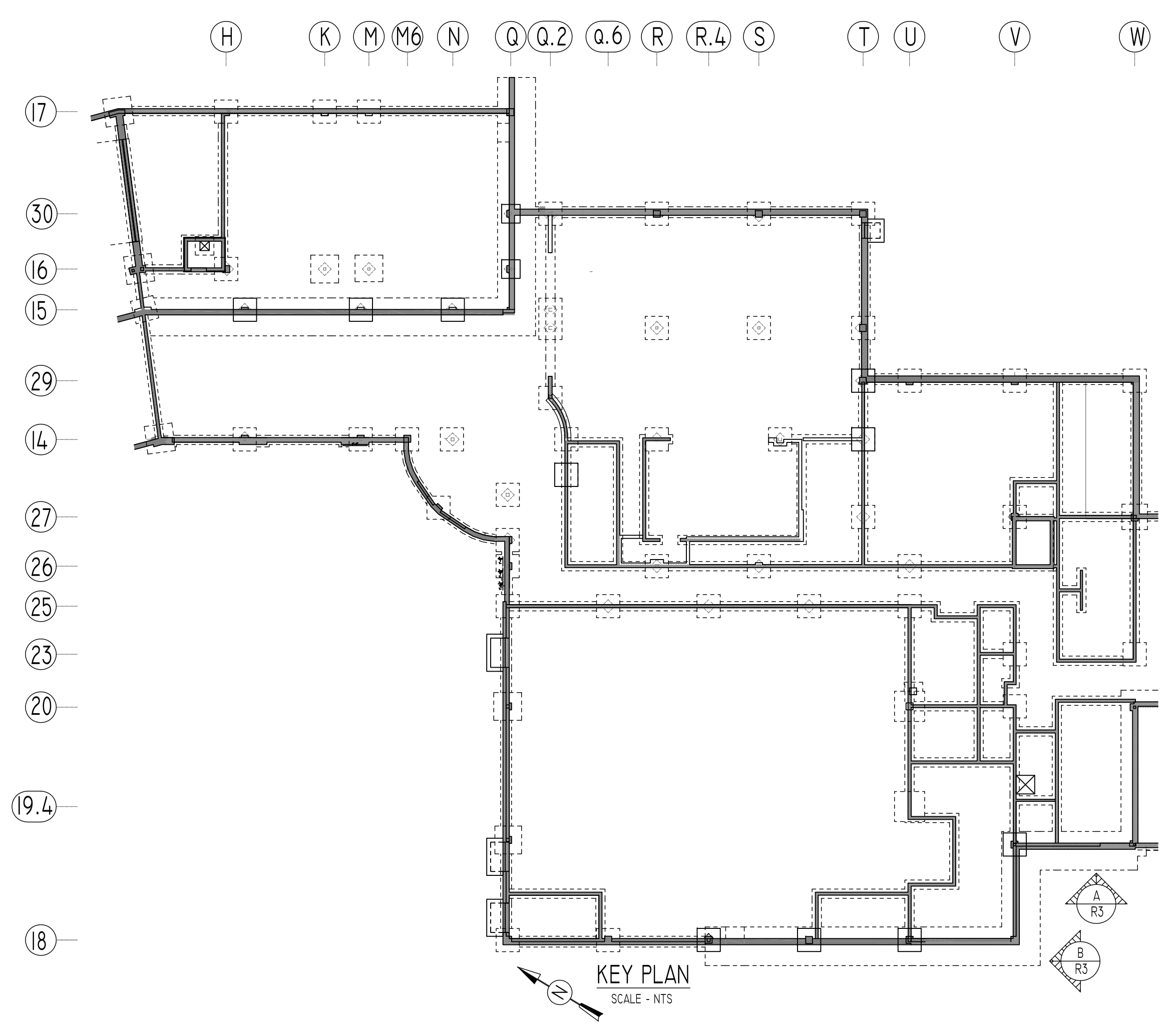
A/E PLEASE VERIFY LAP VALUE (TYP.)

TYPICAL REINFORCING BAR CLEARANCE TABLE

LOCATION	MIN. COVER
FOOTINGS AGAINST EARTH	3" CLR
COLUMNS AND PIERS (TIES, REIN.)	1 1/2" CLR
WALLS INTERIOR FACE	1 1/2" CLR
WALLS EXTERIOR FACE (#5 & SMALLER)	1 1/2" CLR
WALLS INTERIOR FACE (#6 & LARGER)	2" CLR
WALLS EXTERIOR FACE (#6 & LARGER)	2" CLR

A/E PLEASE VERIFY COVER VALUE (TYP.)

**ALL BARS IN THIS DRAWING
ASTM A615 GRADE 60
BLACK UNCOATED**



KEY PLAN
SCALE - NTS

REVISION MARK	REVISION DETAILS	DATE
0	FOR APPROVAL	02/19/2020

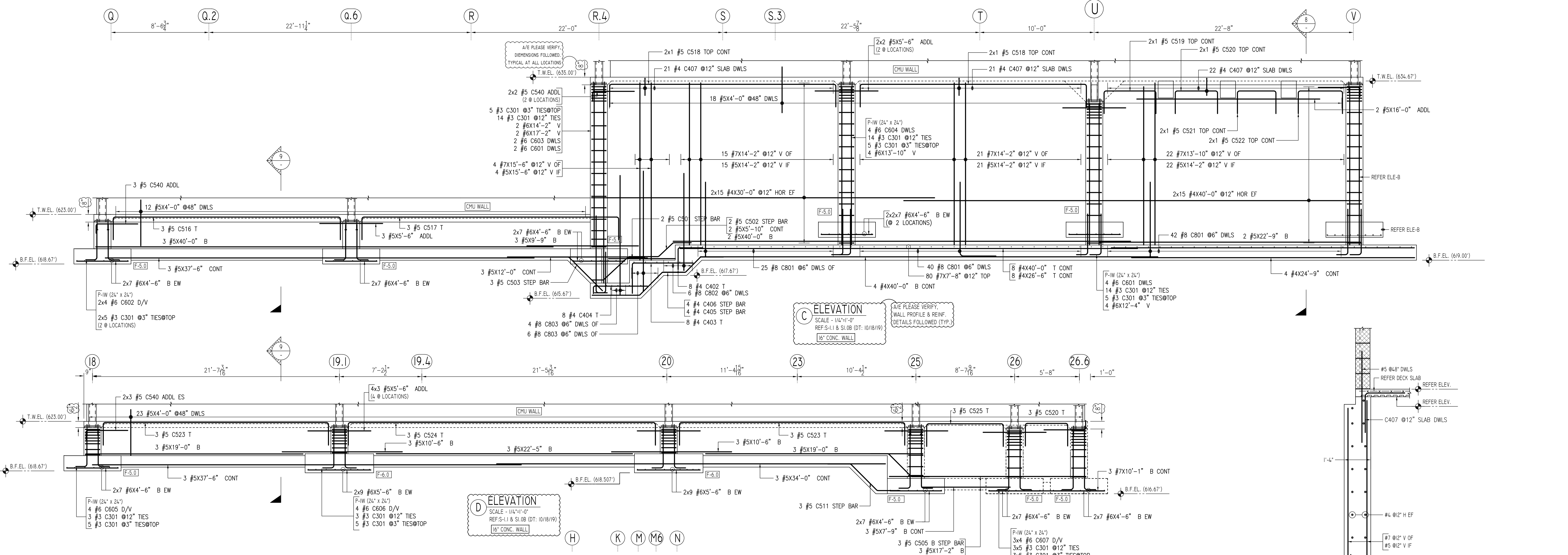
- Abbreviations:**
- IF=Inside Face
 - OF=Outside Face
 - EF=Each Face
 - DWL=Dowel
 - V=Vertical
 - H=Horizontal
 - C-B=Corner Bar
 - S-DWL=Slab Dowel
 - E-W=Each Way
 - B-BOT=Bottom
 - T=Top
 - MDWL=Masonry Dowel
 - B-B=Bond Beam
 - ALT.=Alternate
 - Approx.=Approximate
 - OPNG=Opening
 - BAL=Balance
 - BTW=Between
 - CP=Construction Joint
 - CLR=CLEARANCE
 - CMU=Concrete Masonry Unit
 - CONT=Continuous
 - EA=Each
 - Elev.=Elevation
 - EMB=Embedment
 - SW=Short Way
 - LW=Long Way
 - BL=Black Bar
 - EP=Epoxy Bar
 - GA=Galvanized

NOTICE

Shortages, improper fabrication or claims for any other reason must be reported to this company within a period of 15 days of delivery. This company reserves the right to field inspect prior to replacement or reconditioning of nonconforming material, and will not honor charges for work done in the field without specific authorization from this company.

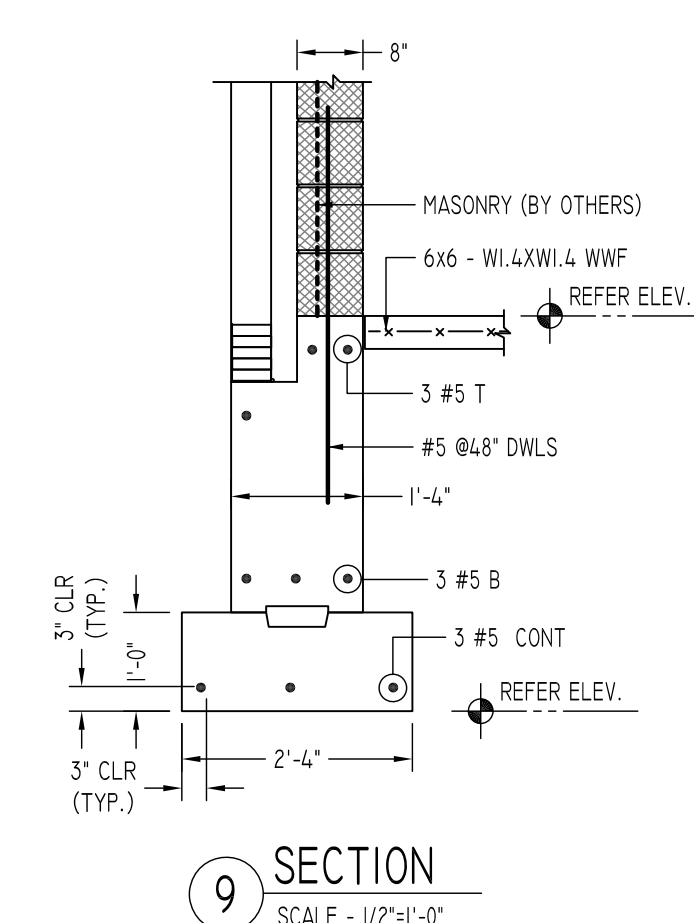
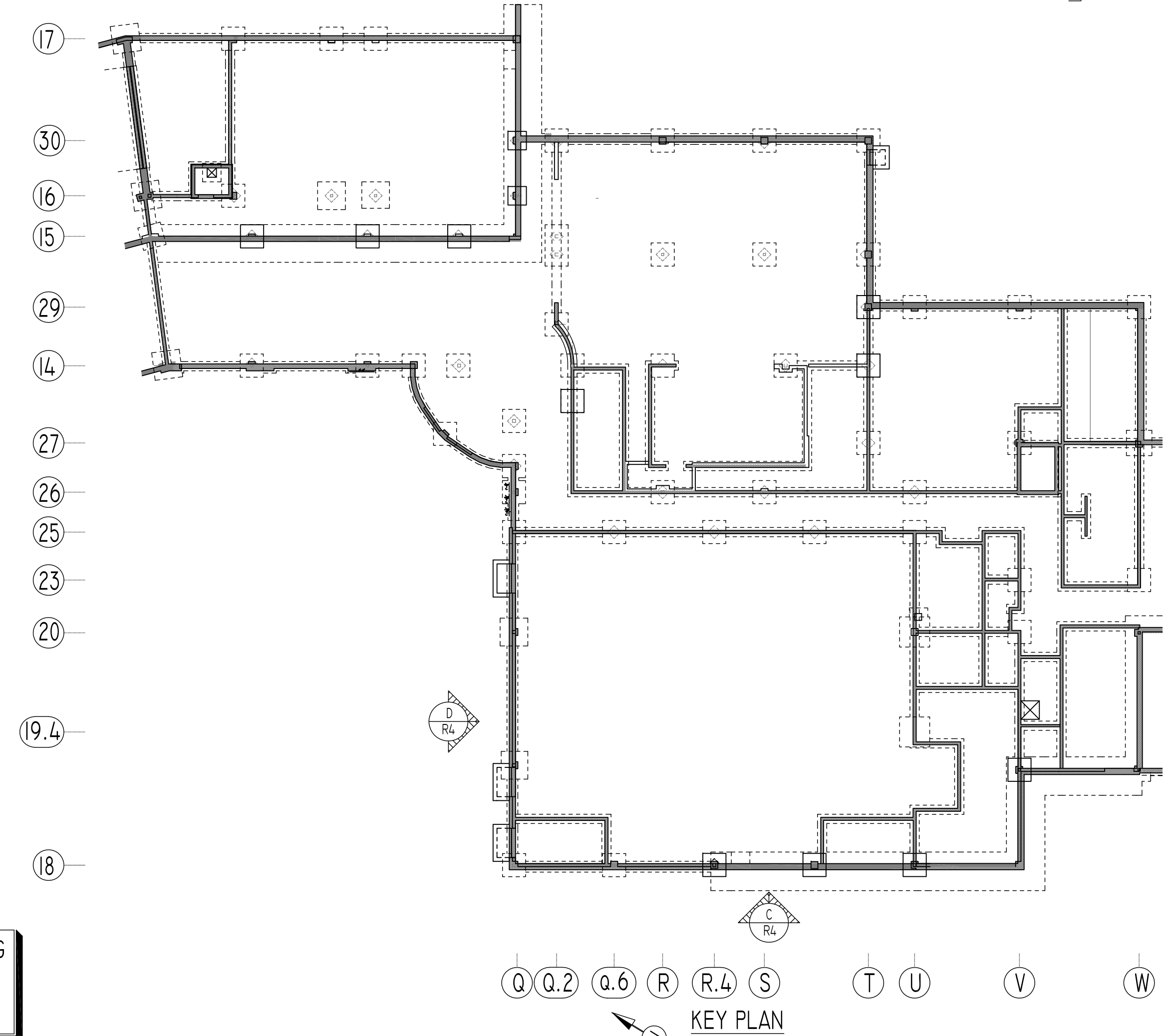
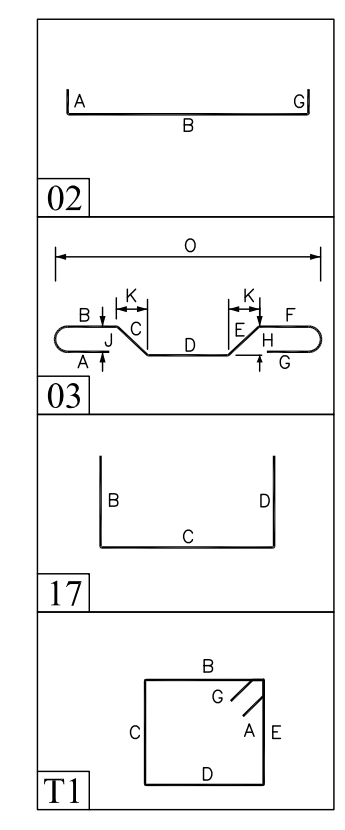
REINFORCING STEEL PLACING DRAWINGS ONLY USE IN CONJUNCTION WITH CONTRACT DRAWINGS & SPECIFICATIONS. ELEVATIONS & DIMENSIONS SHOWN ON THIS DRAWING ARE FOR DETAILING PURPOSES ONLY AND SHOULD NOT BE USED FOR CONSTRUCTION UNLESS VERIFIED BY ENGINEER OR CONTRACTOR.

PROJECT	WENDELL CROSS ELEMENTARY SCHOOL			
LOCATION	WATERBURY, CONNECTICUT			
ARCHITECT	-			
ENGINEER	SZEWCZAK ASSOCIATES			
CUSTOMER	G&G CONCRETE			
DRAWN BY:	KAS/MRS	DATE:	02/19/20	
REVIEWED BY:	T/L	JOB NO.:	20009	
DRAWING TITLE:	AREA-A FOUNDATION WALL ELEVATION A & B REINF. DETAIL		DRAWING NO.:	R3



Release Code: R4

Bar Mark	Qty	Size	Total length	Type	A'	B'	C'	D'	E'	F'	G'	H'	I'	J'	K'	L'
C01	103	#3	528'	11	4'	13'	13'	13'	13'							
C02	8	#4	47'	11		11'	22'									
C03	8	#4	80'	17		28'	54'									
C04	8	#4	55'	2	8'	43'										
C05	4	#4	81'	3		111 1/2'	210'	411 1/2'				20 1/2'		111 1/2'	810 1/2'	
C06	4	#4	510 1/2'	3		20'	110 1/2'	20'				14 1/2'		13 1/2'	53 1/2'	
C07	64	#4	34'	17		16'	110'									
C08	2	#5	57'	3		19 1/2'	210'	11 1/2'				111 1/2'		20 1/2'	410'	
C09	2	#5	511'	3		16 1/2'	19 1/2'	27'				13'		13'	55'	
C10	3	#5	59'	3		17'	42'					211 1/2'		211 1/2'	46 1/2'	
C11	3	#5	60'	3		17'	210'	17'				20 1/2'		111 1/2'	51 1/2'	
C12	3	#5	73 1/2'	3		20'	33 1/2'	20'				24 1/2'		23 1/2'	63 1/2'	
C13	3	#5	231'	17		20'	191'	20'								
C14	3	#5	26 1/2'	17		20'	22 1/2'	20'								
C15	4	#5	231'	17		20'	191'	20'								
C16	2	#5	87'	17		20'	47'	20'								
C17	5	#5	79'	17		20'	39'	20'								
C18	2	#5	75'	17		20'	35'	20'								
C19	2	#5	71'	17		20'	31'	20'								
C20	6	#5	239'	17		20'	199'	20'								
C21	3	#5	301'	17		20'	261'	20'								
C22	3	#5	109'	17		20'	69'	20'								
C23	19	#5	46'	2	10'	38'										
C24	6	#6	47'	2	10'	37'										
C25	8	#6	47'	2	10'	37'										
C26	2	#6	79'	2	10'	69'										
C27	4	#6	58'	2	10'	48'										
C28	4	#6	43'	2	10'	33'										
C29	4	#6	45'	2	10'	35'										
C30	12	#6	62'	2	10'	52'										
C31	107	#8	98'	17		32'	66'									
C32	6	#8	118'	17		32'	86'									
C33	10	#8	138'	17		32'	106'									



SIZE	36 X BD
#4	LAP
#5	18"
#6	27"
#7	36"

A/E PLEASE VERIFY LAP VALUE (TYP.)

LOCATION	MIN. COVER
FOOTINGS AGAINST EARTH	3" CLR
COLUMNS AND PIERS (TIES, REINF.)	1 1/2" CLR
WALLS INTERIOR FACE	1 1/2" CLR
WALLS EXTERIOR FACE (#5 & SMALLER)	1 1/2" CLR
WALLS INTERIOR FACE (#6 & LARGER)	2" CLR
WALLS EXTERIOR FACE (#6 & LARGER)	2" CLR

A/E PLEASE VERIFY COVER VALUE (TYP.)

ALL BARS IN THIS DRAWING
ASTM A615 GRADE 60
BLACK UNCOATED

Abbreviations:
I.F.=Inside Face
O.F.=Outside Face
E.F.=Each Face
DWL=Dowel
V=Vertical
H=Horizontal
C.B.=Corner Bar
S.DWL=Slab Dowel
E.W.=Each Way
B.BOT=Bottom
T=Top
MDWL=Masonry Dowel
B.B.=Bond Beam
ALT.=Alternate
Approx.=Approximate

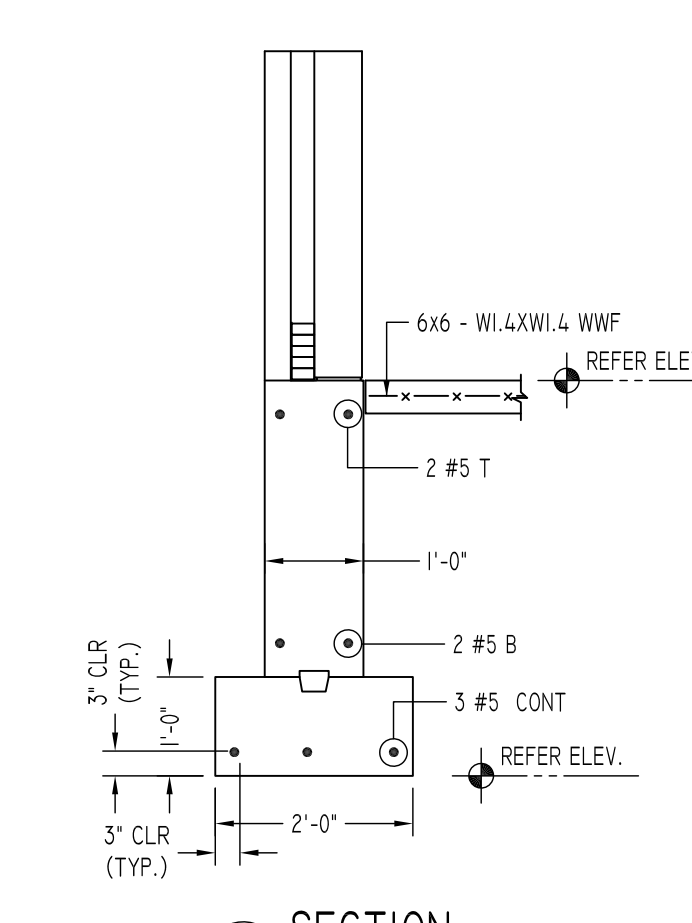
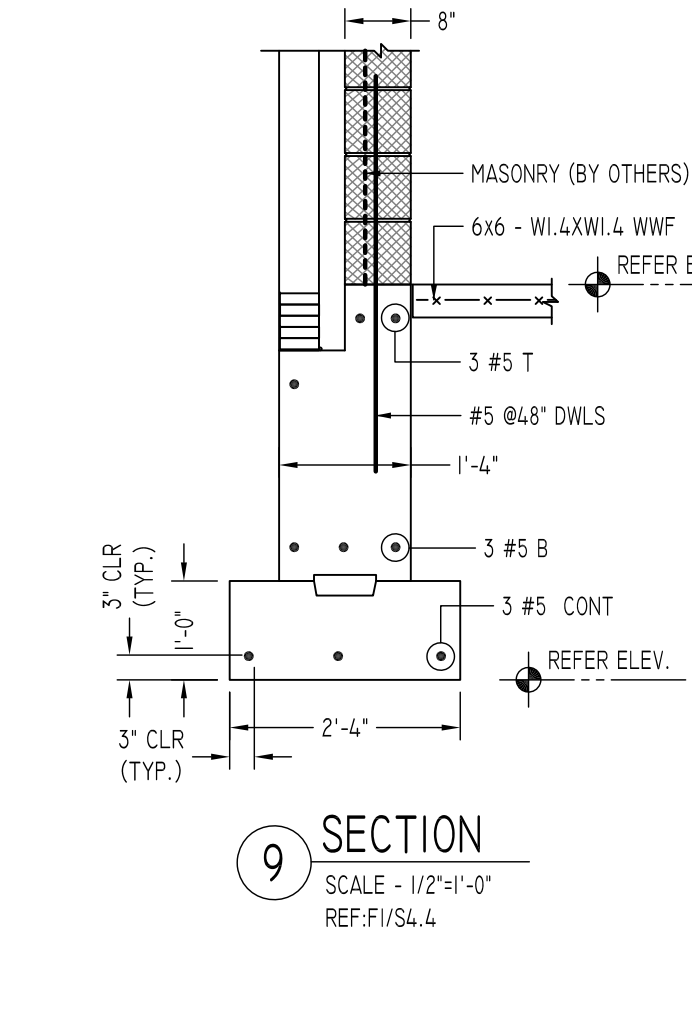
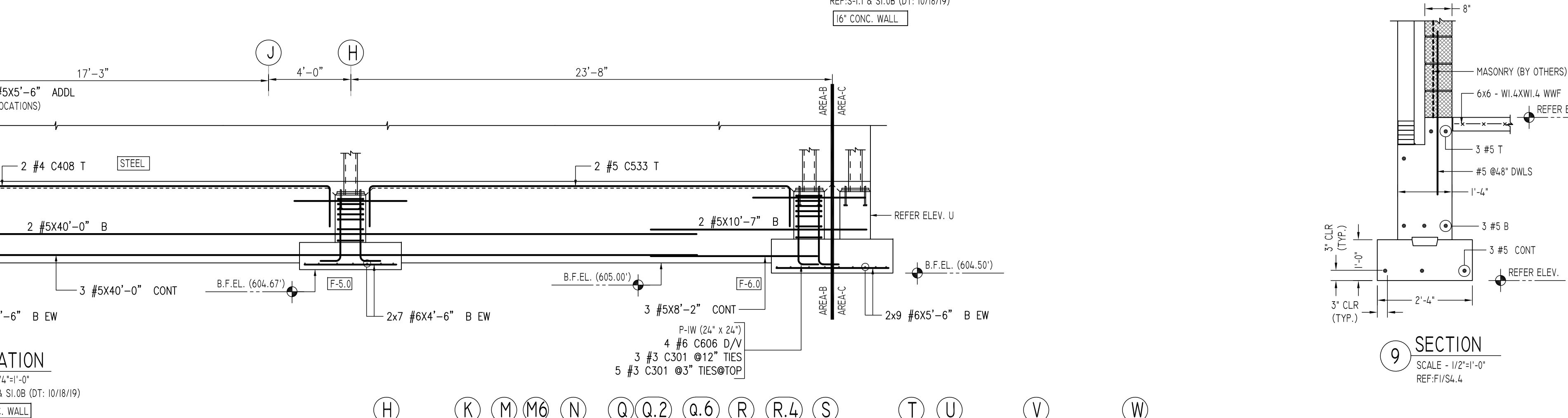
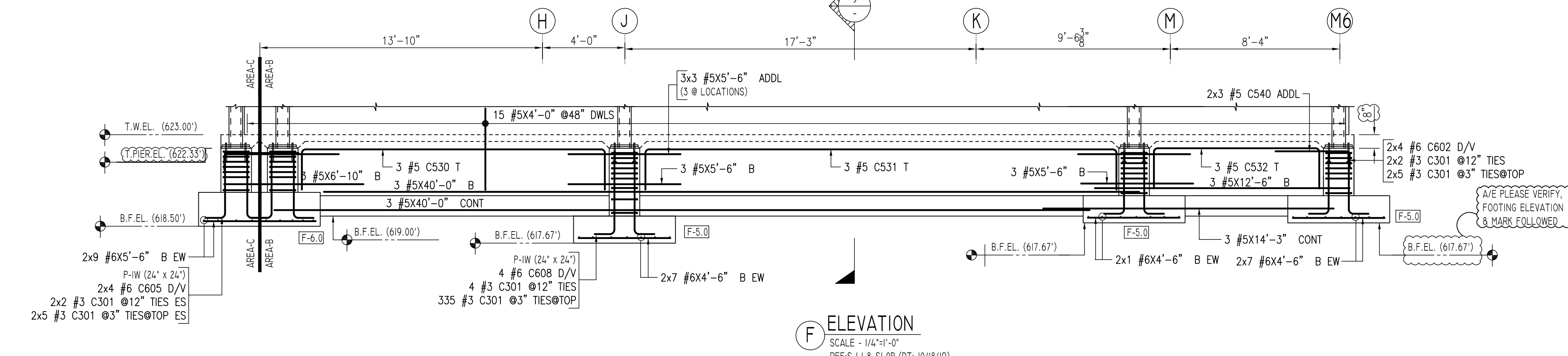
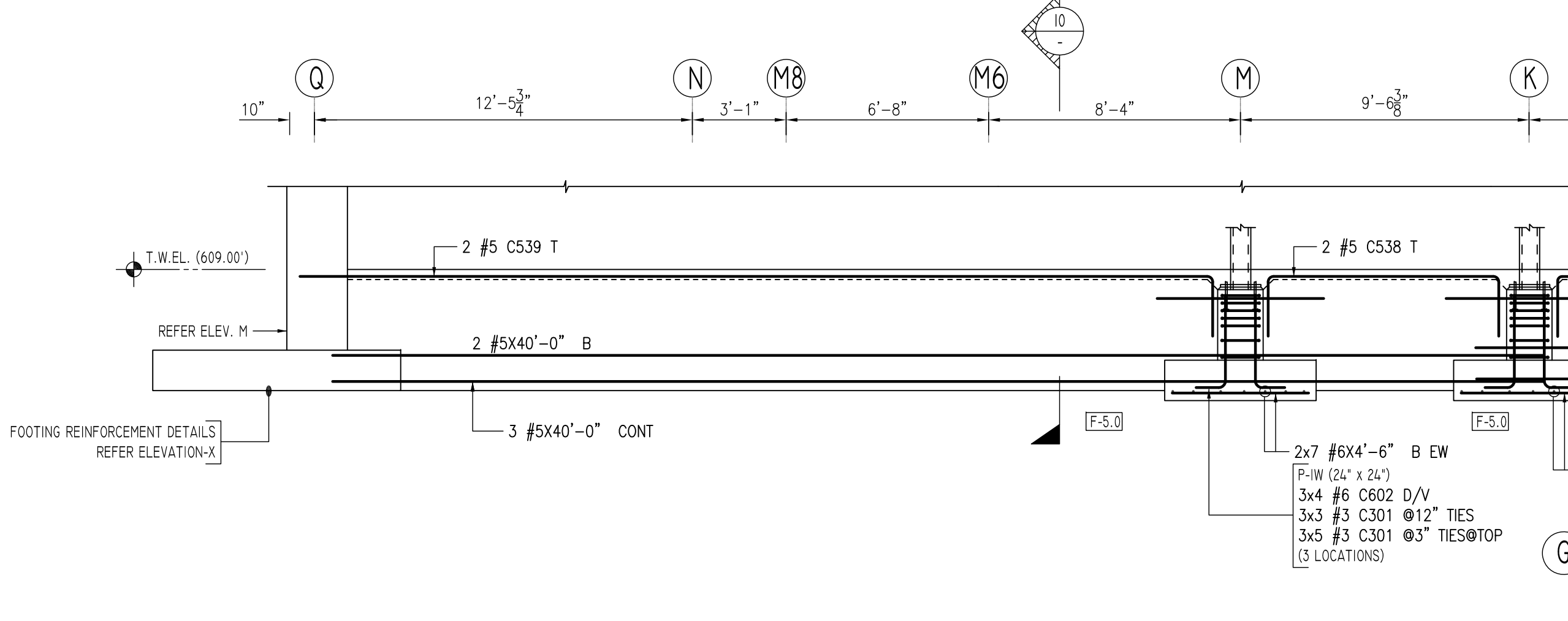
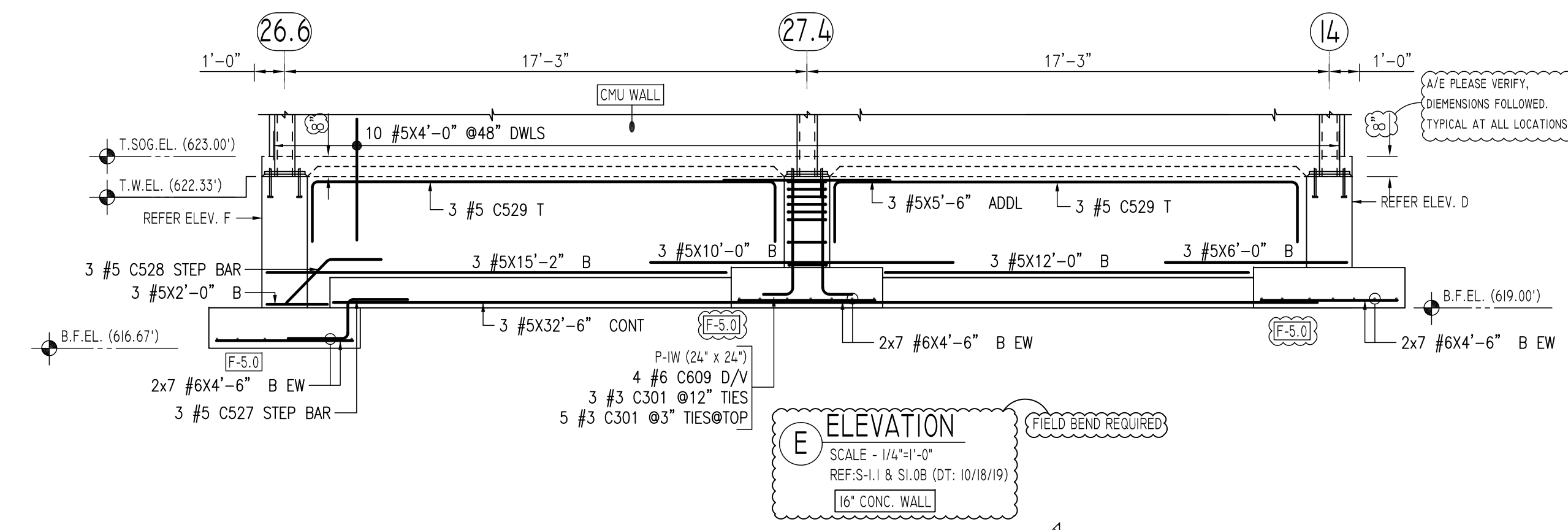
OPNG=Opening
BAL=Balance
BTW=Between
CJ=Construction Joint
CLR=CLEARANCE
CMU=Concrete Masonry Unit
CONT=Continuous
EA=Each
Elev.=Elevation
EMB=Embedment
SW=Short Way
LW=Long Way
(BL)=Black Bar
(EP)=Epoxy Bar
(GA)=Galvanized

NOTICE
Shortages, improper fabrication or claims for any other reason must be reported to this company within a period of 15 days of delivery. This company reserves the right to field inspect prior to replacement or reconditioning of nonconforming material, and will not honor charges for work done in the field without specific authorization from this company.

REINFORCING STEEL PLACING DRAWINGS ONLY USE IN CONJUNCTION WITH CONTRACT DRAWINGS & SPECIFICATIONS. ELEVATIONS & DIMENSIONS SHOWN ON THIS DRAWING ARE FOR DETAILING PURPOSES ONLY AND SHOULD NOT BE USED FOR CONSTRUCTION UNLESS VERIFIED BY ENGINEER OR CONTRACTOR.

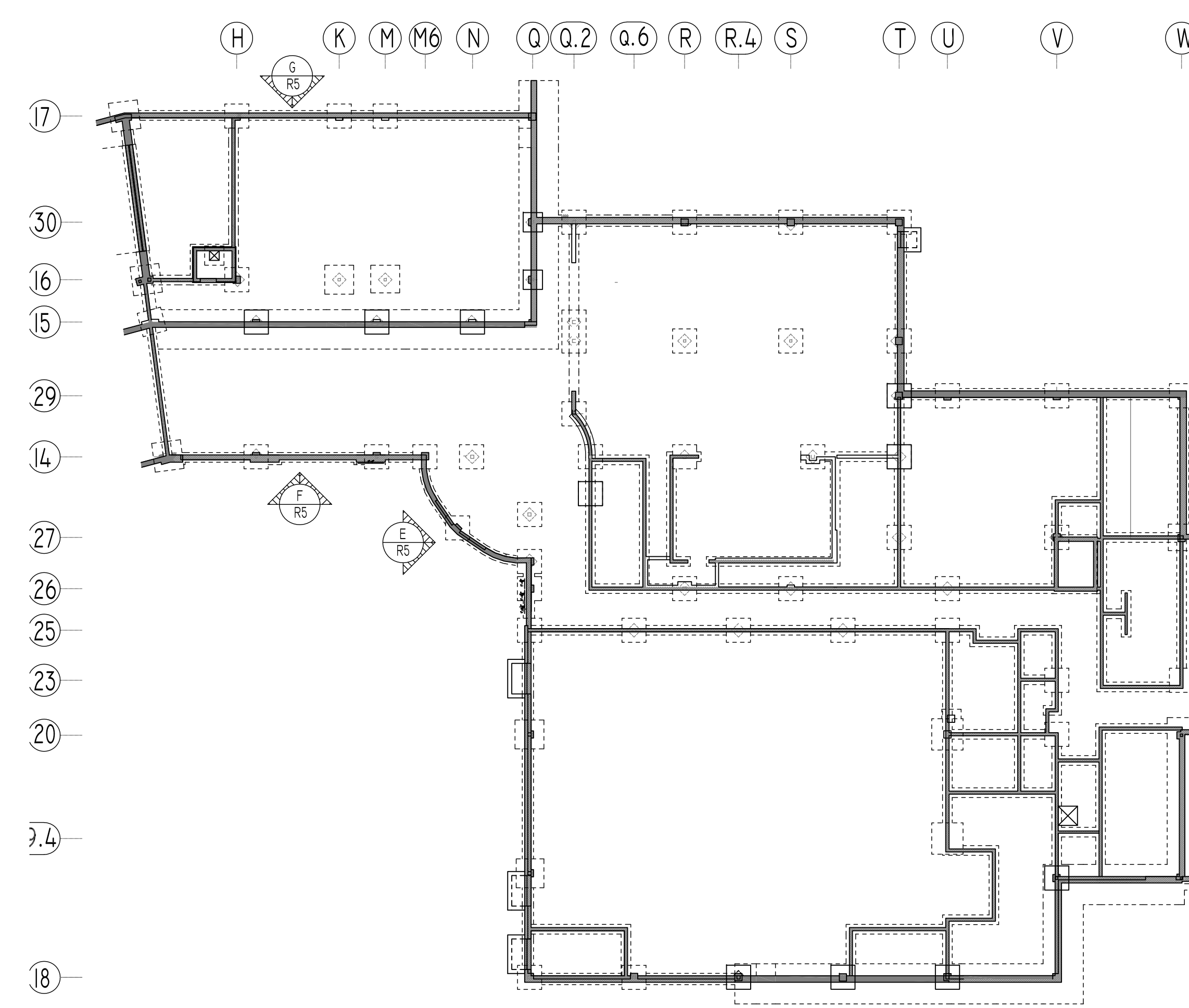
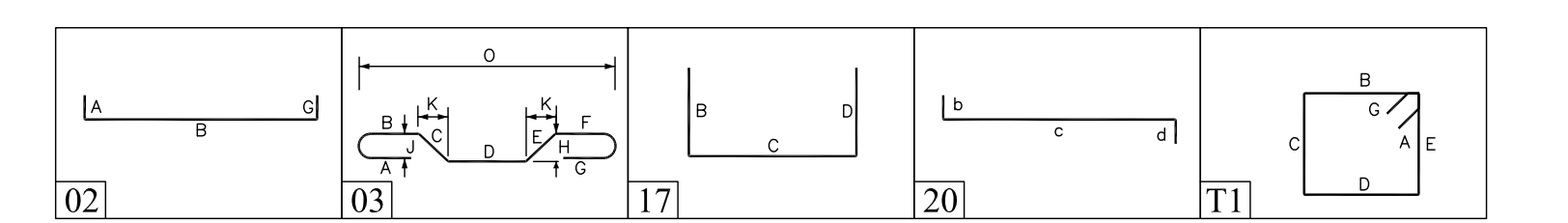
REVISION MARK	REVISION DETAILS	DATE
0	FOR APPROVAL	02/19/2020

PROJECT	WENDELL CROSS ELEMENTARY SCHOOL							
LOCATION	WATERBURY, CONNECTICUT							
ARCHITECT	-							
ENGINEER	SZEWCAK ASSOCIATES							
CUSTOMER	G&G CONCRETE							
DRAWN BY:	KAS/MRS	DATE:	02/19/2020	REVIEWED BY:	T/L	JOB NO.:	20009	
DRAWING TITLE:	AREA-A FOUNDATION WALL ELEVATION C & D REINF. DETAIL						DRAWING NO.:	R4



Release Code: R5

Bar Mark	Qty	Size	Total length	Type	'A'	'B'	'C'	'D'	'E'	'F'	'G'	'H'	'I'	'J'	'K'	'L'	'M'	'N'	'O'	'P'	
C301	407	#3	58'11"		4"	13"	13"	13"	13"	13"	4"	2 1/2"									
C408	2	#4	23'4"	17		20"	19'4"	20"													
C527	3	#5	5'4"	20		20"	1'4"	20"													
C528	3	#5	3'9"	3		19"	20"														
C529	4	#5	19'4"	17		20"	15'4"	20"													
C530	3	#5	10'11"	17		20"	14'11"	20"													
C531	3	#5	27'2"	17		20"	23'2"	20"													
C532	3	#5	12'2"	17		20"	8'2"	20"													
C533	2	#5	24'8"	17		20"	20'8"	20"													
C538	2	#5	11'8"	17		20"	7'8"	20"													
C539	2	#5	32'2"	17		20"	30'2"														
C540	6	#5	4'6"	2		10"	3'8"														
C602	20	#6	4'1"	2		10"	3'1"														
C605	8	#6	4'3"	2		10"	3'3"														
C606	4	#6	4'5"	2		10"	3'5"														
C608	4	#6	5'1"	2		10"	4'1"														
C609	4	#6	4'9"	2		10"	3'9"														



LAP SCHEDULE

SIZE	36 X BD	LAP
#4	18"	
#5	23"	
#6	27"	
#7	32"	

TYPICAL REINFORCING BAR CLEARANCE TABLE

LOCATION	MIN. COVER
FOOTINGS AGAINST EARTH	3" CLR
COLUMNS AND PIERS (TIES, REINF.)	1 1/2" CLR
WALLS INTERIOR FACE	1 1/2" CLR
WALLS EXTERIOR FACE (#5 & SMALLER)	1 1/2" CLR
WALLS INTERIOR FACE (#6 & LARGER)	2" CLR
WALLS EXTERIOR FACE (#6 & LARGER)	2" CLR

ALL BARS IN THIS DRAWING
ASTM A615 GRADE 60
BLACK UNCOATED

- Abbreviations:
- IF=Inside Face
 - OF=Outside Face
 - EF=Each Face
 - DWL=Dowel
 - V=Vertical
 - H=Horizontal
 - C-B=Corner Bar
 - S-DWL=Slab Dowel
 - E-W=Each Way
 - B-BOT=Bottom
 - T=Top
 - MDWL=Masonry Dowel
 - B-B=Bond Beam
 - ALT.=Alternate
 - Approx.=Approximate
 - OPNG=Opening
 - BAL.=Balance
 - BTW=Between
 - CL=Construction Joint
 - CLR=CLEARANCE
 - CMU=Concrete Masonry Unit
 - CONT=Continuous
 - EA=Each
 - Elev.=Elevation
 - EMB=Embedment
 - SW=Short Way
 - LW=Long Way
 - BL=Black Bar
 - EP=Epoxy Bar
 - GA=Galvanized

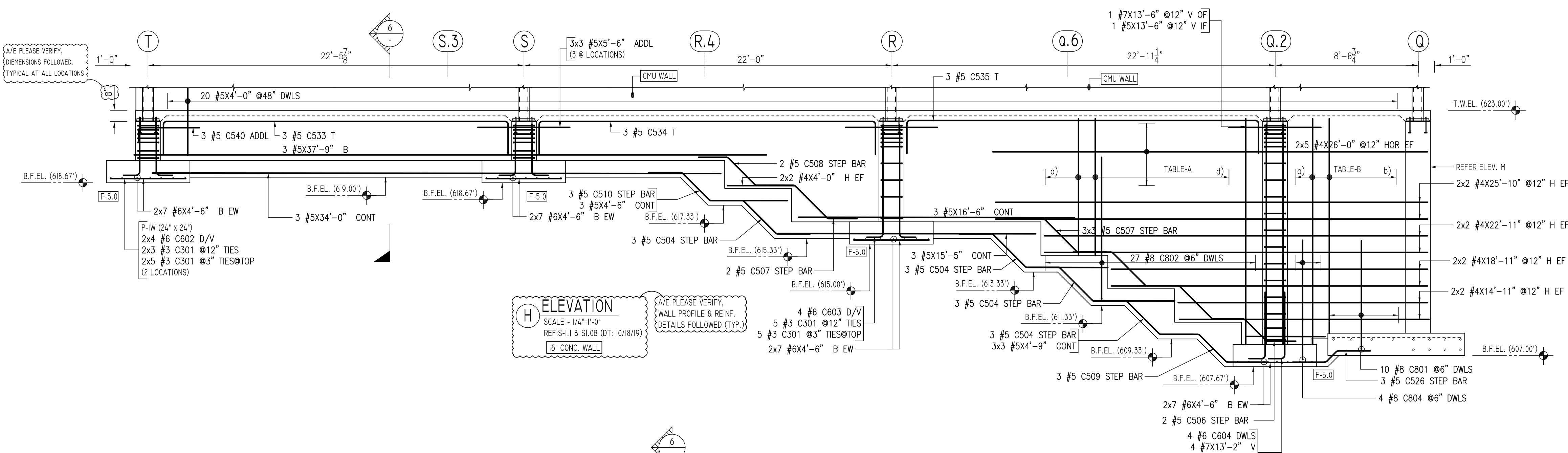
NOTICE

Shortages, improper fabrication or claims for any other reason must be reported to this company within a period of 15 days of delivery. This company reserves the right to field inspect prior to replacement or reconditioning of nonconforming material, and will not honor charges for work done in the field without specific authorization from this company.

REINFORCING STEEL PLACING DRAWINGS ONLY USE IN CONJUNCTION WITH CONTRACT DRAWINGS & SPECIFICATIONS. ELEVATIONS & DIMENSIONS SHOWN ON THIS DRAWING ARE FOR DETAILING PURPOSES ONLY AND SHOULD NOT BE USED FOR CONSTRUCTION UNLESS VERIFIED BY ENGINEER OR CONTRACTOR.

REVISION MARK	REVISION DETAILS	DATE
0	FOR APPROVAL	02/19/2020

PROJECT	WENDELL CROSS ELEMENTARY SCHOOL							
LOCATION	WATERBURY, CONNECTICUT							
ARCHITECT	-							
ENGINEER	SZEWCAK ASSOCIATES							
CUSTOMER	G&G CONCRETE							
DRAWN BY:	KAS/MRS	DATE:	02/19/20	REVIEWED BY:	T/L	JOB NO.:	20009	
DRAWING TITLE:	AREA-A FOUNDATION WALL ELEVATION E TO G REINF. DETAIL						DRAWING NO.:	R5



ELEVATION H
SCALE - 1/4"=1'-0"
REF: S-1.1 & S1.0B (DT: 10/18/19)
16" CONC. WALL

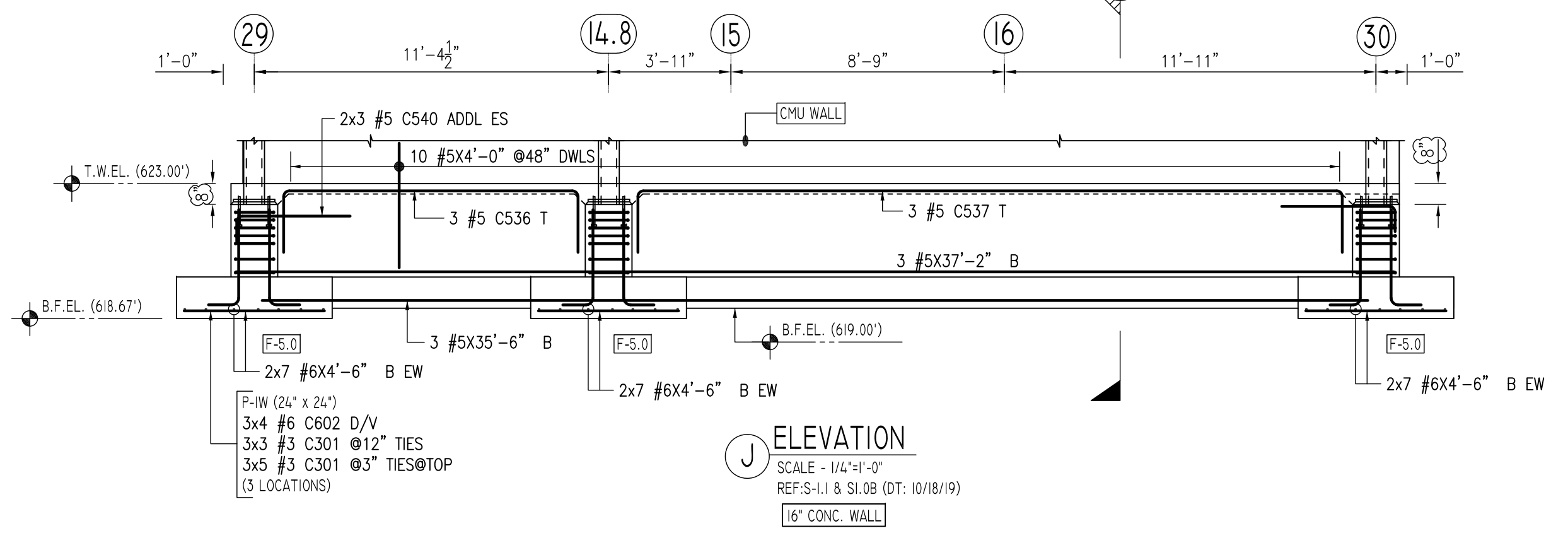
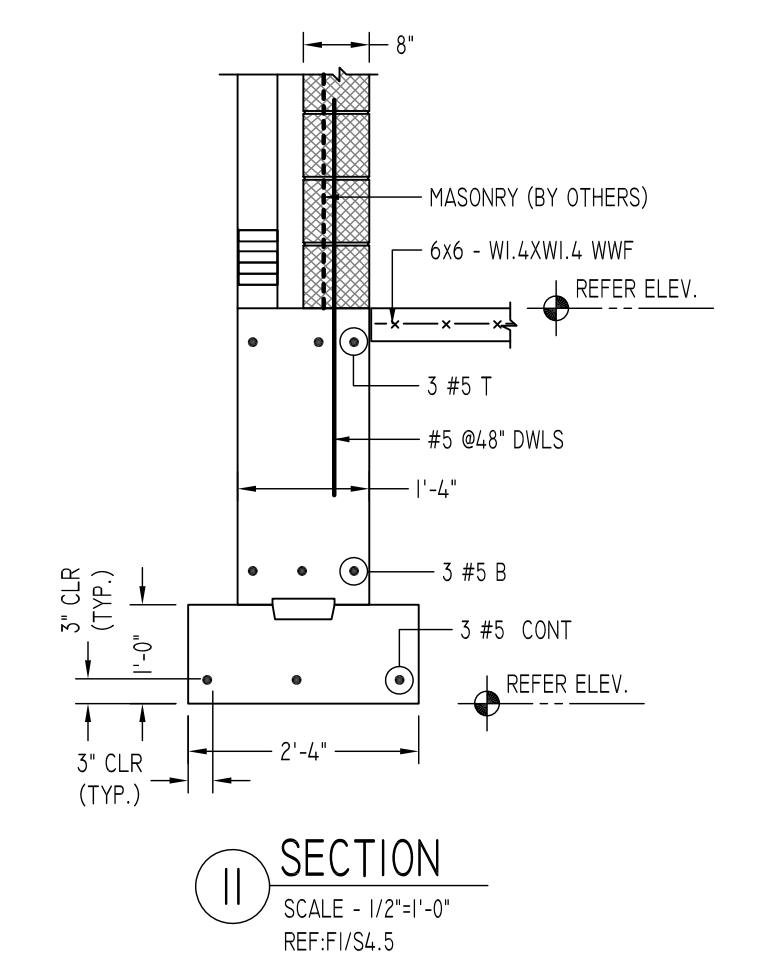
A/E PLEASE VERIFY WALL PROFILE & REINF. DETAILS FOLLOWED (TYP.)

TABLE-A

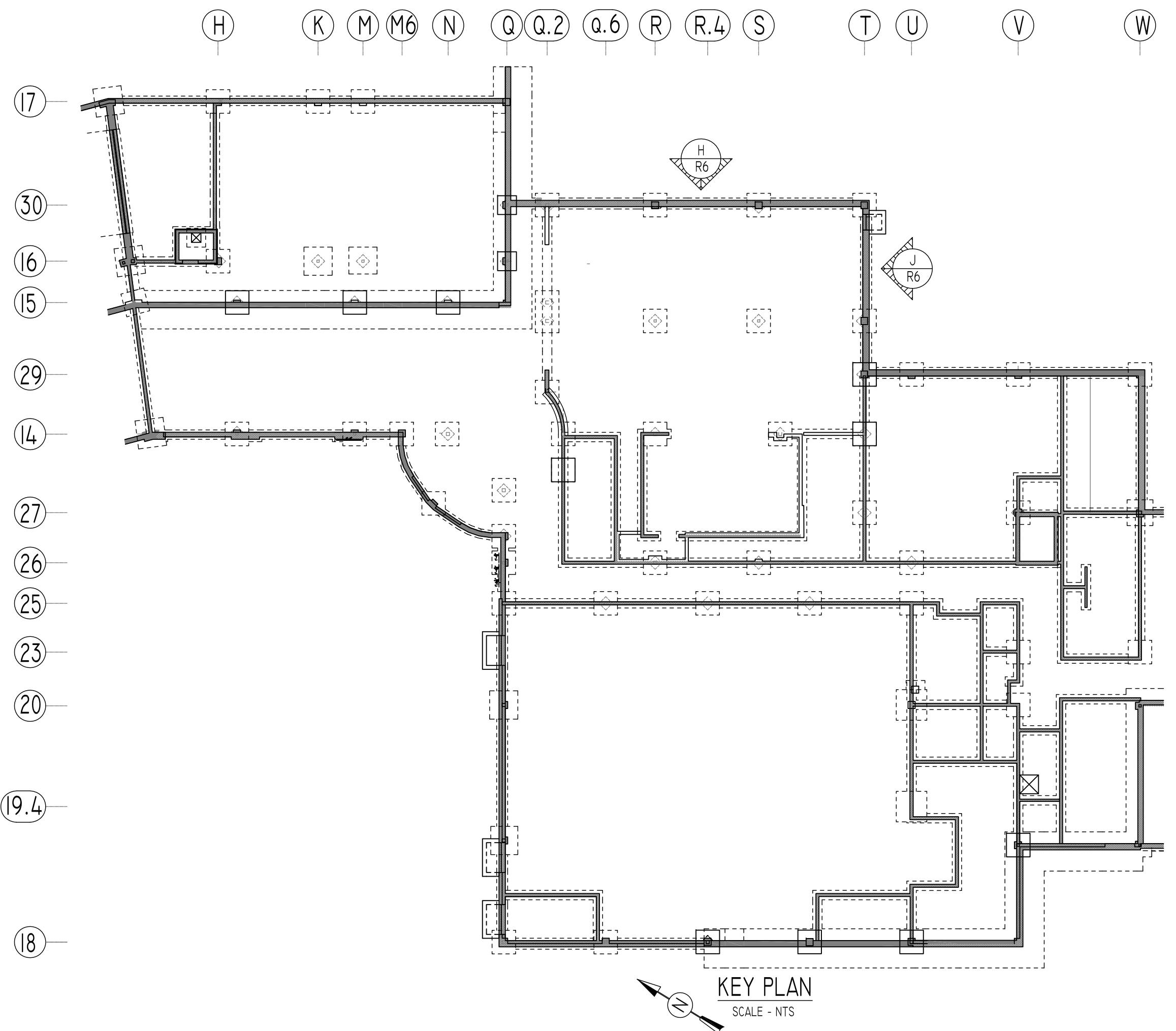
a) 5 #5X6'-2" @12" V IF	5 #7X6'-2" @12" V OF
4 #5X8'-2" @12" V IF	4 #7X8'-2" @12" V OF
4 #5X10'-2" @12" V IF	4 #7X10'-2" @12" V OF
4 #5X12'-2" @12" V IF	4 #7X12'-2" @12" V OF

TABLE-B

a) 3 #7X13'-6" @12" V OF	3 #5X13'-6" @12" V IF
b) 5 #7X12'-9" @12" V OF	5 #5X12'-9" @12" V IF

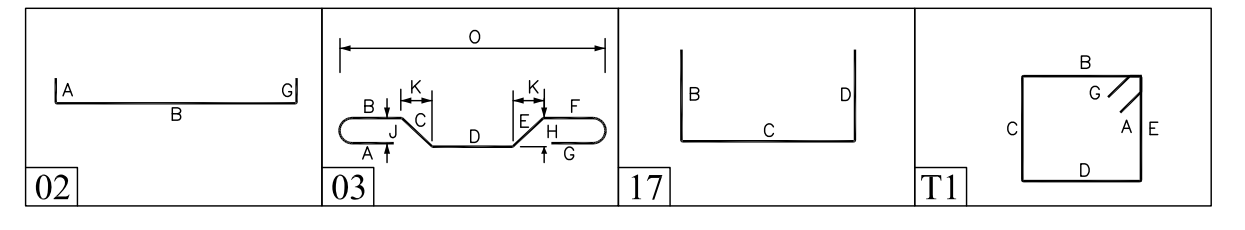


ELEVATION J
SCALE - 1/4"=1'-0"
REF: S-1.1 & S1.0B (DT: 10/18/19)
16" CONC. WALL



Release Code: R6

BENDING DETAILS														
Bar Mark	Qty	Size	Total Length	Type	'A'	'B'	'C'	'D'	'E'	'F'	'G'	'H'	'I'	'J'
C301	69	#3	58'	T1	4'	13'	13'	13'	13'		4'	2 1/2'		
C504	12	#5	6'10"	T3		20'	2'10"	20'				1'11 1/2"	5'11 1/2"	
C506	2	#5	5'4 1/2"	T3		19'	1'10 1/2"	19'				1'4 1/2"	4'9 1/2"	
C507	11	#5	6'11"	T3		24'	2'10"	19'				1'11 1/2"	6'9 1/2"	
C508	2	#5	5'10 1/2"	T3		19'	2'4 1/2"	19'				1'8 1/2"	5'1 1/2"	
C509	3	#5	7'1 1/2"	T3		23 1/2"	2'4 1/2"	26'				1'8 1/2"	6'4 1/2"	
C510	3	#5	6'4 1/2"	T3		20'	2'4 1/2"	20'				1'8 1/2"	5'7 1/2"	
C526	3	#5	4'11 1/2"	T3		20'	1'1 1/2"	20'				8 1/2"	7'4 1/2"	
C533	3	#5	24'8"	T7		20'	20'8"	20'						
C534	3	#5	24'2"	T7		20'	20'2"	20'						
C535	3	#5	25'1"	T7		20'	21'1"	20'						
C536	3	#5	19'6"	T7		20'	9'5"	20'						
C537	3	#5	26'8"	T7		20'	22'8"	20'						
C540	9	#5	4'6 1/2"	T8		10'	3'8"							
C602	20	#6	4'11"	T2		10'	3'1"							
C603	4	#6	7'9"	T2		10'	6'9"							
C604	4	#6	5'0"	T2		10'	4'0"							
C801	10	#8	9'8"	T1		32'	6'5"							
C802	27	#8	11'8"	T1		32'	8'5"							
C804	4	#8	10'4"	T1		32'	7'2"							



LAP SCHEDULE

SIZE	36" X BD
#4	LAP
#5	18"
#6	23"
#7	27"
#8	32"

A/E PLEASE VERIFY LAP VALUE (TYP.)

TYPICAL REINFORCING BAR CLEARANCE TABLE

LOCATION	MIN. COVER
FOOTINGS AGAINST EARTH	3" CLR
COLUMNS AND PIERS (TIES, REINF.)	1 1/2" CLR
WALLS INTERIOR FACE	1 1/2" CLR
WALLS EXTERIOR FACE (#5 & SMALLER)	1 1/2" CLR
WALLS INTERIOR FACE (#6 & LARGER)	2" CLR
WALLS EXTERIOR FACE (#6 & LARGER)	2" CLR

A/E PLEASE VERIFY COVER VALUE (TYP.)

**ALL BARS IN THIS DRAWING
ASTM A615 GRADE 60
BLACK UNCOATED**

Abbreviations:
IF=Inside Face
OF=Outside Face
EF=Each Face
DWL=Dowel
V=Vertical
H=Horizontal
C-B=Corner Bar
S-DWL=Slab Dowel
E-W=Each Way
BBOT=Bottom
T=Top
MDWL=Masonry Dowel
B-B=Bond Beam
ALT.=Alternate
Approx.=Approximate

OPNG=Opening
BAL=Balance
BTW=Between
CJ=Construction Joint
CLR=CLEARANCE
CMU=Concrete Masonry Unit
CONT=Continuous
EA=Each
Elev.=Elevation
EMB=Embedment
SW=Short Way
LW=Long Way
BL=Black Bar
EP= epoxy Bar
(GA)=Galvanized

NOTICE

Shortages, improper fabrication or claims for any other reason must be reported to this company within a period of 15 days of delivery. This company reserves the right to field inspect prior to replacement or reconditioning of nonconforming material, and will not honor charges for work done in the field without specific authorization from this company.

REINFORCING STEEL PLACING DRAWINGS ONLY USE IN CONJUNCTION WITH CONTRACT DRAWINGS & SPECIFICATIONS. ELEVATIONS & DIMENSIONS SHOWN ON THIS DRAWING ARE FOR DETAILING PURPOSES ONLY AND SHOULD NOT BE USED FOR CONSTRUCTION UNLESS VERIFIED BY ENGINEER OR CONTRACTOR.

REVISION MARK	REVISION DETAILS	DATE
0	FOR APPROVAL	02/19/2020

PROJECT	WENDELL CROSS ELEMENTARY SCHOOL		
LOCATION	WATERBURY, CONNECTICUT		
ARCHITECT	—		
ENGINEER	SZEWCZAK ASSOCIATES		
CUSTOMER	G&G CONCRETE		
DRAWN BY:	KAS/MRS	DATE:	02/19/20
REVIEWED BY:	T/L	JOB NO.:	20009
DRAWING TITLE:	AREA-A FOUNDATION WALL ELEVATION E TO G REINF. DETAIL		DRAWING NO.:
			R6