

SLAB ON GRADE, SLAB ON DECK, CURB & PAD REINFORCEMENT DETAILS

DETAIL-A
SCALE - 1/8"=1'-0"
REF-S-211

ELEMENT	MESH SIZE	SHEETS	AREA	REMARK
4" THK SLAB ON GRADE	6x6 - W2.IKW2.1 WWR	70	2300	5'-0" X 10'-0" SHEET SIZE (35% LAP ADDED)
8" THK SLAB ON GRADE	6x6 - W2.IKW2.1 WWR	10	320 SQ.FT	5'-0" X 10'-0" SHEET SIZE (35% LAP ADDED)

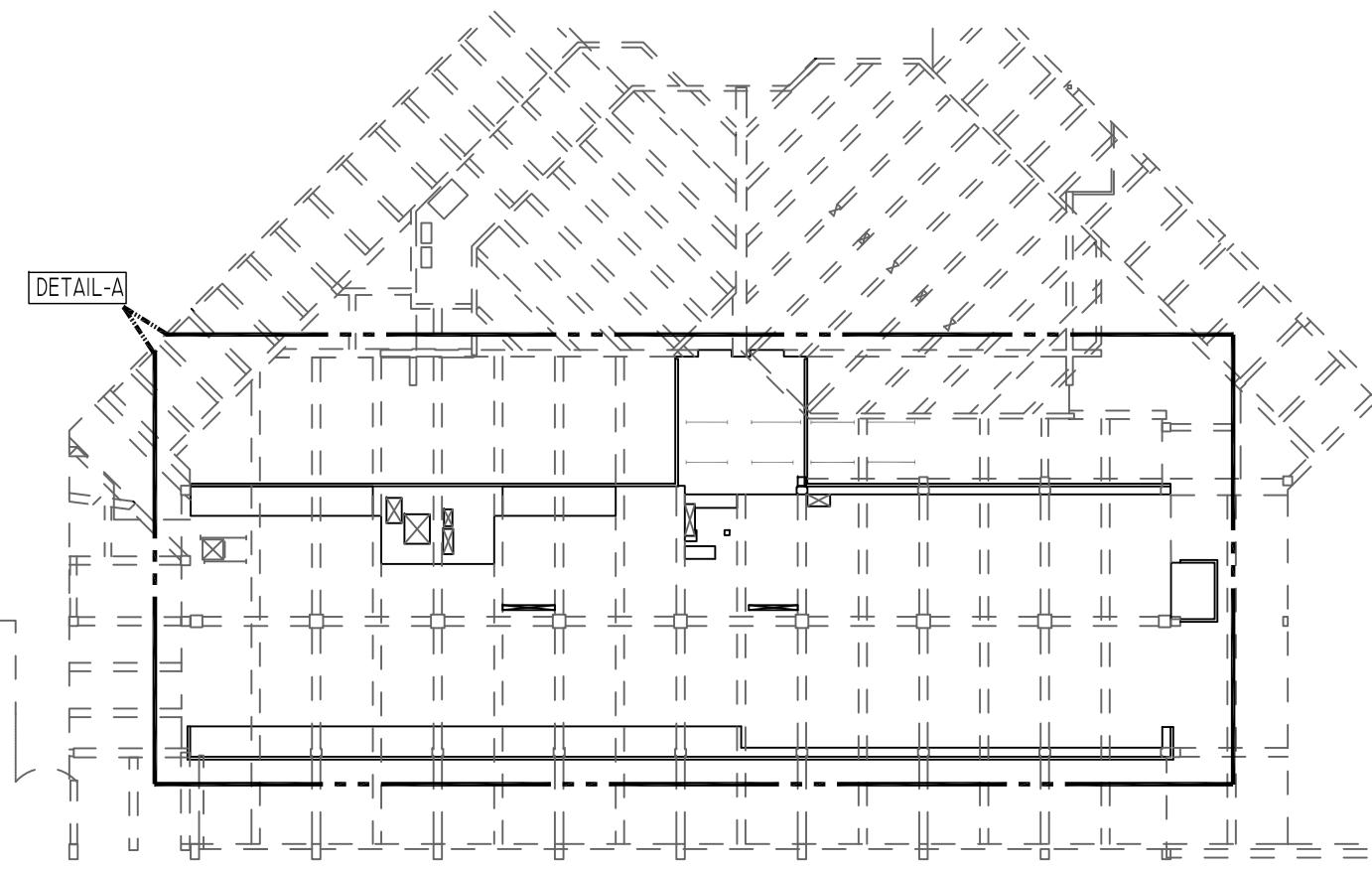
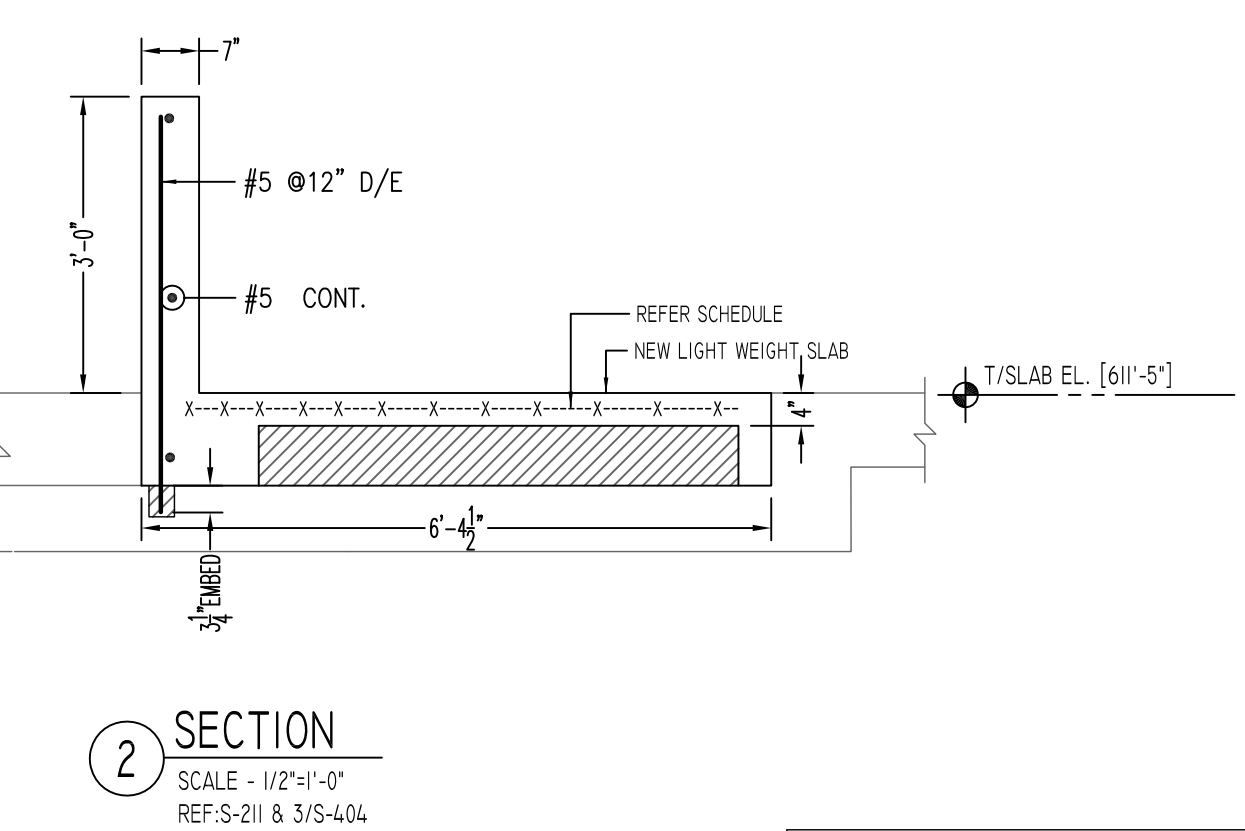
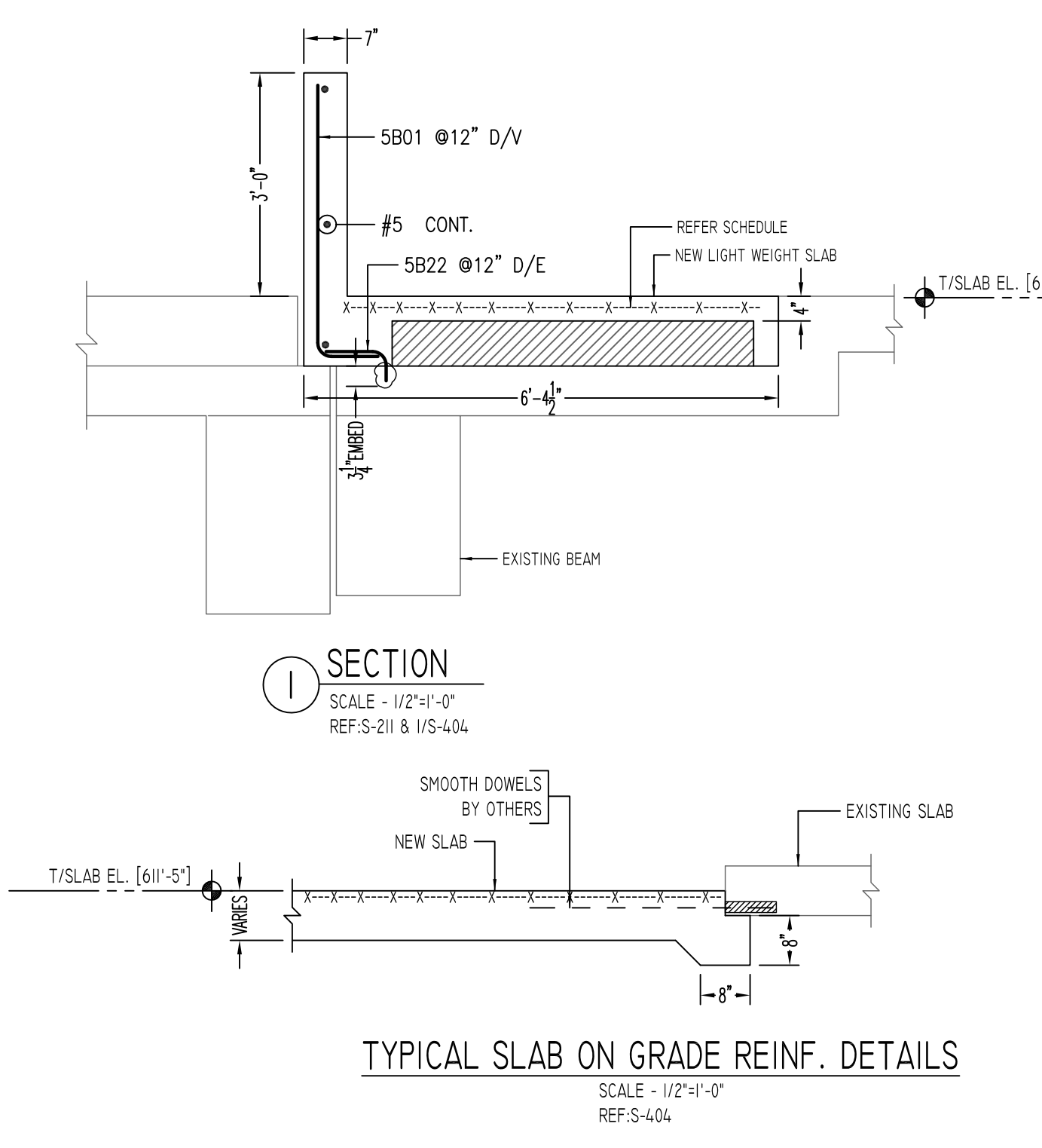
DESCRIPTION	PCS	LFT	REMARK
4" HT CHCU @ 4'-0" C/C	-	90	FOR T&B SUPPORT
8" THK SOG	-	680	FOR BOTTOM & MESH SUPPORT

LAP SCHEDULE			
SIZE	TOP	OTHERS	
#3	25"	19"	
#4	33"	25"	
#5	41"	31"	
#6	48"	37"	
#7	70"	54"	
#8	80"	62"	
#9	91"	70"	
#10	102"	79"	
#11	113"	87"	

Bar Mark	Qty	Size	Total Length	Type	X'	Y'	Z'	W'	V'	U'	T'	S'	R'	Q'	P'	O'	N'	M'	L'	K'	J'	I'	H'	G'	F'	E'	D'	C'	B'	A'	
5801	378	#5	4'-8"	2	0'-10"	3'-8"																									
5802	2	#5	14'-4"	2	0'-10"	13'-6"																									
5803	1	#5	11'-4"	2	0'-10"	10'-6"																									
5804	1	#5	9'-8"	2	0'-10"	8'-0"																									
5805	1	#5	5'-11"	2	0'-10"	4'-3"																									
5806	4	#5	2'-11"	1	0'-7"	2'-4"																									
5807	2	#5	3'-7"	1	0'-7"	2'-5"																									
5808	2	#5	3'-5"	1	0'-7"	2'-3"																									
5809	6	#5	4'-10"	1	0'-7"	4'-3"																									
5810	4	#5	12'-5"	1	0'-7"	11'-10"																									
5811	6	#5	9'-2"	1	0'-7"	8'-0"																									
5812	6	#5	20'-2"	1	0'-7"	19'-7"																									
5813	4	#5	10'-2"	1	0'-7"	9'-7"																									
5814	4	#5	8'-6"	1	0'-7"	7'-11"																									
5815	18	#5	8'-4"	1	0'-7"	7'-9"																									
5816	2	#5	5'-4"	1	0'-7"	4'-9"																									
5817	2	#5	2'-2"	1	0'-7"	1'-7"																									
5818	8	#5	4'-2"	1	0'-7"	3'-7"																									
5819	4	#5	8'-3"	1	0'-7"	7'-8"																									
5820	8	#5	6'-3"	1	0'-7"	5'-8"																									
5821	4	#5	3'-0"	1	0'-7"	2'-5"																									
5822	97	#5	1'-3"	2	0'-10"	0'-5"																									
5823	18	#5	6'-10"	17	3'-5"	3'-5"																									

LOCATION	MIN. COVER
SLAB BOTTOM	3/4" CLR
SLAB TOP	2" CLR
SLAB SIDE	3/4" CLR

ALL BARS IN THIS DRAWING
ASTM A615 GRADE 60
BLACK UNCOATED



REVISION MARK	REVISION DETAILS	DATE
0	FOR APPROVAL	02/14/2020

Abbreviations:
I.F.=Inside Face
O.F.=Outside Face
E.F.=Each Face
DWL=Dowel
V=Vertical
H=Horizontal
C.B.=Corner Bar
S.DWL=Slab Dowel
E.W.=Each Way
B/BOT=Bottom
T=Top
MDWL=Masonry Dowel
B.B.=Bond Beam
ALT.=Alternate
Approx.=Approximate

OPNG=Opening
BAL.=Balance
BTW=Between
CJ=Construction Joint
CLR.=CLEARANCE
CMU=Concrete Masonry Unit
CONT.=Continuous
EA.=Each
Elev.=Elevation
EMB=Embedment
SW=Short Way
LW=Long Way
BL=Black Bar
EPP=Epoxy Bar
GA=Galvanized

NOTICE

Shortages, improper fabrication or claims for any other reason must be reported to this company within a period of 15 days of delivery. This company reserves the right to field inspect prior to replacement or reconditioning of nonconforming material, and will not honor charges for work done in the field without specific authorization from this company.

REINFORCING STEEL PLACING DRAWINGS ONLY USE IN CONJUNCTION WITH CONTRACT DRAWINGS & SPECIFICATIONS. ELEVATIONS & DIMENSIONS SHOWN ON THIS DRAWING ARE FOR DETAILING PURPOSES ONLY AND SHOULD NOT BE USED FOR CONSTRUCTION UNLESS VERIFIED BY ENGINEER OR CONTRACTOR.

PROJECT	UCONN-UNIVERSITY OF CONNECTICUT
LOCATION	NEW YORK #901803
ARCHITECT	MITCHELL GIURGOLA ARCHITECTS LLP
ENGINEER	ROBERT SILMAN ASSOCIATES
CUSTOMER	UNIVERSAL FOUNDATION
DRAWN BY:	SAN/MRS
DATE:	02/14/20
REVIEWED BY:	T/L
JOB NO.	20010
DRAWING TITLE:	GANT BUILDING PH-2 FIRST FLOOR-WEST REINFORCEMENT DETAILS
DRAWING NO.:	R6