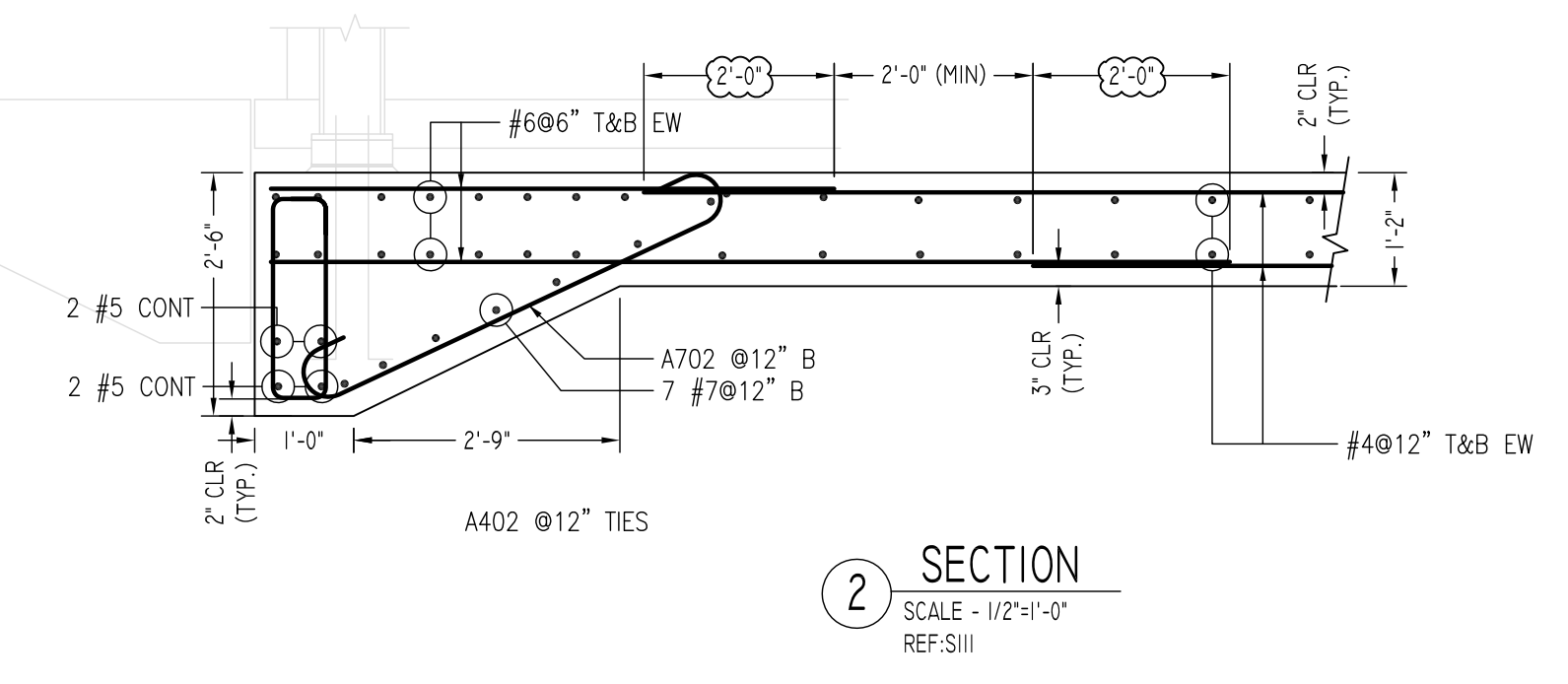
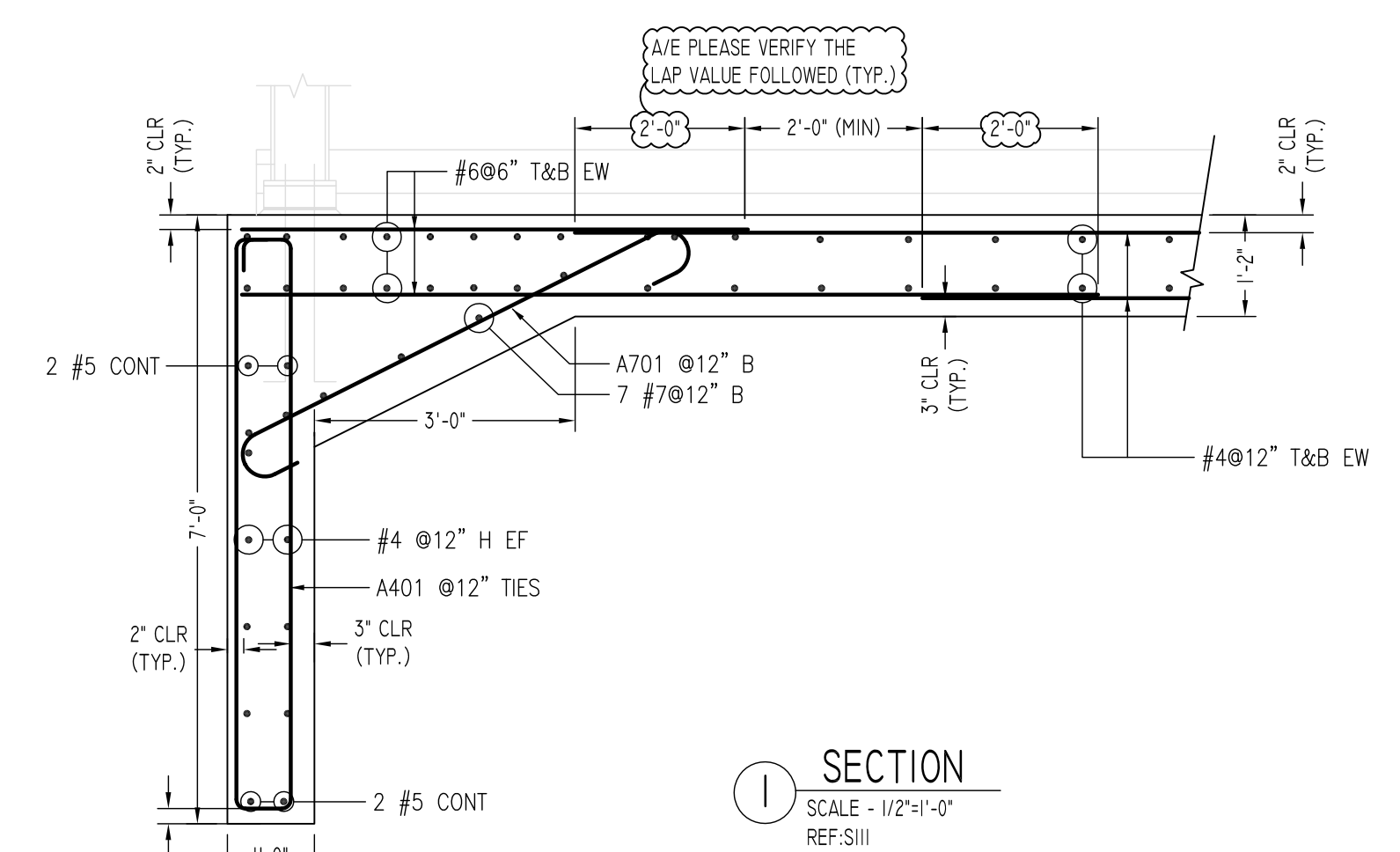


FOUNDATION MAT SLAB REINFORCEMENT DETAILS
 SCALE - 1/16"=1'-0"
 REF: SIII



LAP SCHEDULE

SIZE	4000 PSI	
	TOP	OTHERS
#3	24"	19"
#4	32"	25"
#5	40"	31"
#6	48"	37"
#7	70"	54"
#8	80"	62"
#9	91"	70"
#10	102"	79"
#11	113"	87"

TYPICAL REINFORCING BAR CLEARANCE TABLE

LOCATION	MIN. COVER
FOOTINGS AGAINST EARTH	3" CLR
WALLS INTERIOR FACE	3" CLR
WALLS EXTERIOR FACE	2" CLR
SLAB TOP	2" CLR
SLAB BOTTOM	3" CLR

ALL BARS IN THIS DRAWING
 ASTM A615 GRADE 60
 BLACK UNCOATED

REVISION MARK	REVISION DETAILS	DATE
0	FOR APPROVAL	02/25/2020

- Abbreviations:
 IF=Inside Face
 OF=Outside Face
 EF=Each Face
 DWL=Dowel
 V=Vertical
 H=Horizontal
 C-B=Corner Bar
 S-DWL=Slab Dowel
 E-W=Each Way
 B-BOT=Bottom
 T=Top
 MDWL=Masonry Dowel
 B-B=Bond Beam
 ALT.=Alternate
 Approx.=Approximate
- OPNG=Opening
 BAL.=Balance
 BTW=Between
 CJ=Construction Joint
 CLR=CLEARANCE
 CMU=Concrete Masonry Unit
 CONT=Continuous
 EA.=Each
 Elev.=Elevation
 EMB=Embedment
 SW=Short Way
 LW=Long Way
 (BL)=Black Bar
 (EP)=Epoxy Bar
 (GA)=Galvanized

NOTICE

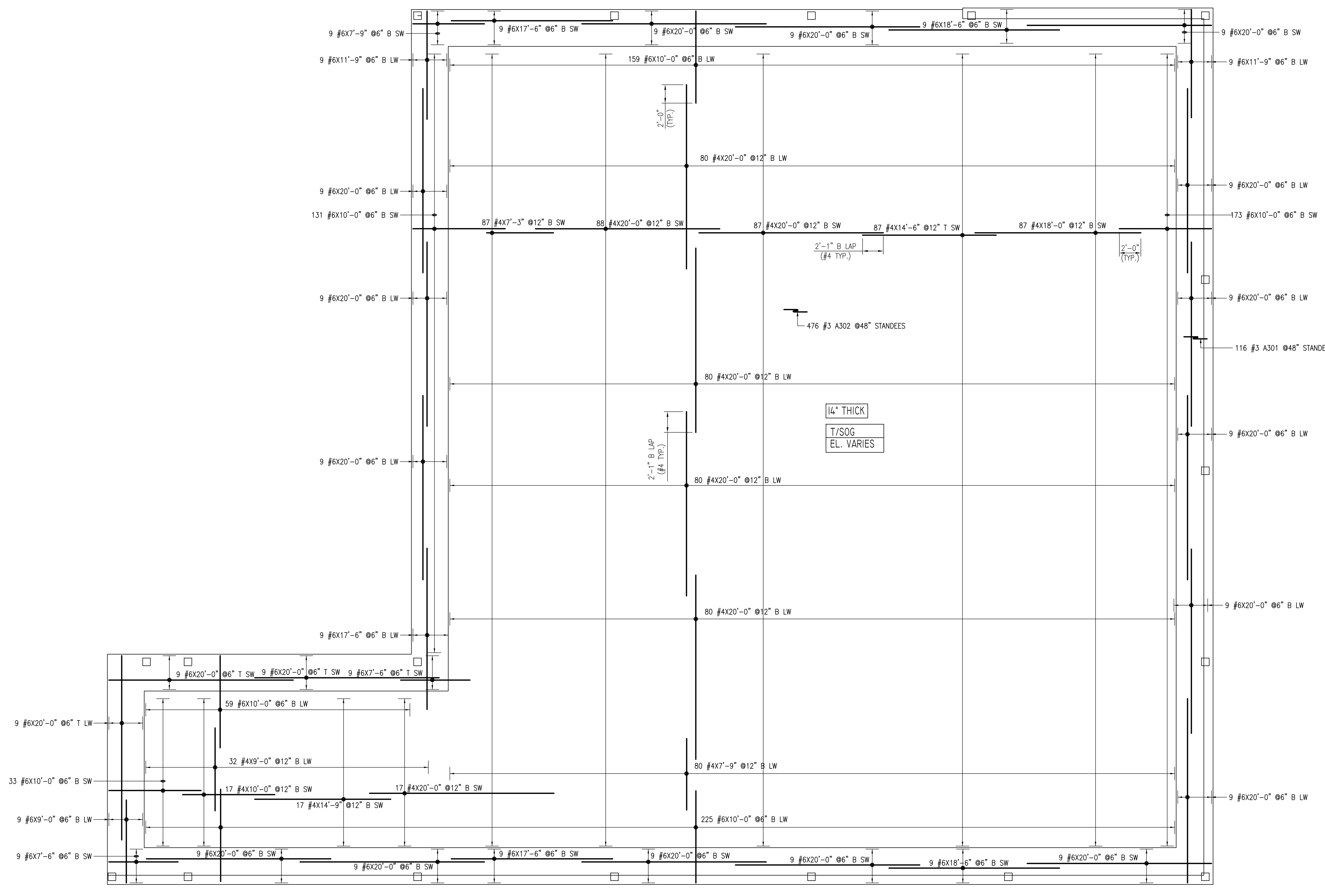
Shortages, improper fabrication or claims for any other reason must be reported to this company within a period of 15 days of delivery. This company reserves the right to field inspect prior to replacement or reconditioning of nonconforming material, and will not honor charges for work done in the field without specific authorization from this company.

REINFORCING STEEL PLACING DRAWINGS ONLY USE IN CONJUNCTION WITH CONTRACT DRAWINGS & SPECIFICATIONS. ELEVATIONS & DIMENSIONS SHOWN ON THIS DRAWING ARE FOR DETAILING PURPOSES ONLY AND SHOULD NOT BE USED FOR CONSTRUCTION UNLESS VERIFIED BY ENGINEER OR CONTRACTOR.

PROJECT	B&M MEATS		
LOCATION	WILMINGTON, DELAWARE		
ARCHITECT	-		
ENGINEER	DUMACK ENGINEERING		
CUSTOMER	JAR EXCAVATING		
DRAWN BY:	DATE:	REVIEWED BY:	JOB NO.
PTJ/MRS	02/25/20	T/L	20017
DRAWING TITLE:			DRAWING NO.:
FOUNDATION MAT SLAB REINFORCEMENT DETAILS			R01

4.7 5.4 7.1 7.5 8 9 10
 8'-3" 24'-11" 21'-4 1/2" 21'-4 1/2" 21'-4 1/2" 21'-4 1/2"

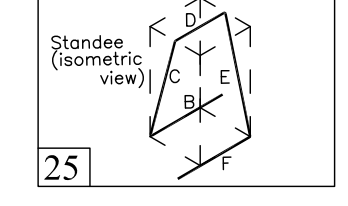
B.6
 28'-8"
 C.5
 20'-9"
 E.6
 20'-9"
 G.1
 23'-4"
 H.1



1/4" THICK
 T/SOG
 EL. VARIES

Release Code: R1

Bar Mark	Qty	Size	Total length	BENDING DETAILS											
				'A'	'B'	'C'	'D'	'E'	'F'	'G'	'H'	'I'	'J'	'K'	'L'
A301	116	#3	4'4" / 25'	18"	6"	6"	6"	18"	6"	6"	6"	3"	0"	0"	
A302	476	#3	4'8" / 25'	18"	7"	6"	7"	18"	7"	7"	3 1/2"	0"	0"	0"	



LAP SCHEDULE

SIZE	4000 PSI	
	TOP	OTHERS
#3	24"	19"
#4	32"	25"
#5	40"	31"
#6	48"	37"
#7	70"	54"
#8	80"	62"
#9	91"	70"
#10	102"	79"
#11	113"	87"

TYPICAL REINFORCING BAR CLEARANCE TABLE

LOCATION	MIN. COVER
FOOTINGS AGAINST EARTH	3" CLR
WALLS INTERIOR FACE	3" CLR
WALLS EXTERIOR FACE	2" CLR
SLAB TOP	2" CLR
SLAB BOTTOM	3" CLR

ALL BARS IN THIS DRAWING
 ASTM A615 GRADE 60
 BLACK UNCOATED

BOTTOM B1 & B2 LAYER MAT SLAB REINFORCEMENT DETAILS
 SCALE - 1/16"=1'-0"
 REF:SHH

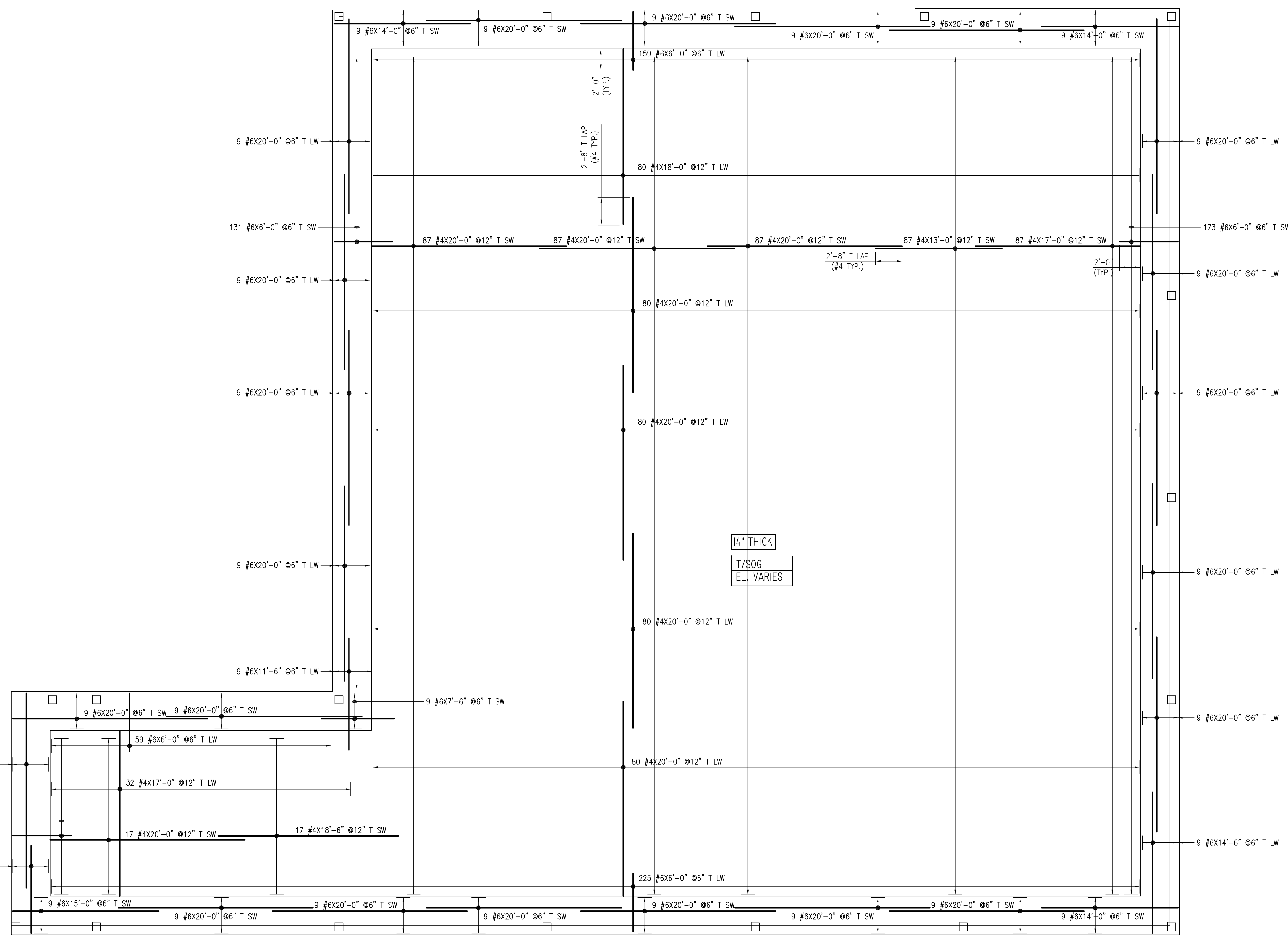
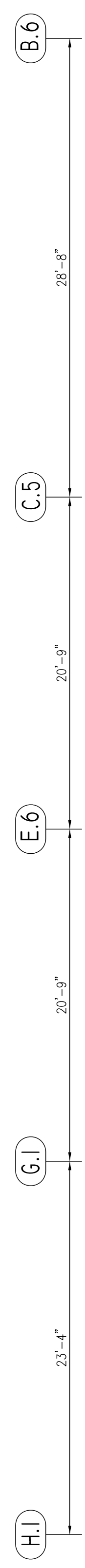
REVISION MARK	REVISION DETAILS	DATE
0	FOR APPROVAL	02/25/2020

- Abbreviations:
 IF=Inside Face
 OF=Outside Face
 EF=Each Face
 DWL=Dowel
 V=Vertical
 H=Horizontal
 C-B=Corner Bar
 S-DWL=Slab Dowel
 E-W=Each Way
 B-BOT=Bottom
 T=Top
 MDWL=Masonry Dowel
 B-B=Bond Beam
 ALT=Alternate
 Approx=Approximate
- OPNG=Opening
 BAL=Balance
 BTW=Between
 C=Construction Joint
 CLR=CLEARANCE
 CMU=Concrete Masonry Unit
 CONT=Continuous
 EA=Each
 Elev=Elevation
 EMB=Embedment
 SW=Short Way
 LW=Long Way
 (BL)=Black Bar
 (EP)=Epoxy Bar
 (GA)=Galvanized

NOTICE
 Shortages, improper fabrication or claims for any other reason must be reported to this company within a period of 15 days of delivery. This company reserves the right to field inspect prior to replacement or reconditioning of nonconforming material, and will not honor charges for work done in the field without specific authorization from this company.

REINFORCING STEEL PLACING DRAWINGS ONLY USE IN CONJUNCTION WITH CONTRACT DRAWINGS & SPECIFICATIONS. ELEVATIONS & DIMENSIONS SHOWN ON THIS DRAWING ARE FOR DETAILING PURPOSES ONLY AND SHOULD NOT BE USED FOR CONSTRUCTION UNLESS VERIFIED BY ENGINEER OR CONTRACTOR.

PROJECT	B&M MEATS						
LOCATION	WILMINGTON, DELAWARE						
ARCHITECT	-						
ENGINEER	DUMACK ENGINEERING						
CUSTOMER	JAR EXCAVATING						
DRAWN BY:	PTJ/MRS	DATE:	02/25/20	REVIEWED BY:	T/L	JOB NO.:	20017
DRAWING TITLE:							DRAWING NO.:
BOTTOM B1 & B2 LAYER MAT REINFORCEMENT DETAILS							R1



LAP SCHEDULE

4000 PSI

SIZE	TOP	OTHERS
#3	24"	19"
#4	32"	25"
#5	40"	31"
#6	48"	37"
#7	70"	54"
#8	80"	62"
#9	91"	70"
#10	102"	79"
#11	113"	87"

PLEASE VERIFY THE LAP SCHEDULE FOLLOWED

TYPICAL REINFORCING BAR CLEARANCE TABLE

LOCATION	MIN. COVER
FOOTINGS AGAINST EARTH	3" CLR
WALLS INTERIOR FACE	3" CLR
WALLS EXTERIOR FACE	2" CLR
SLAB TOP	2" CLR
SLAB BOTTOM	3" CLR

PLEASE VERIFY THE CLEARANCE FOLLOWED

**ALL BARS IN THIS DRAWING
ASTM A615 GRADE 60
BLACK UNCOATED**

TOP T1 & T2 LAYER MAT SLAB REINFORCEMENT DETAILS
SCALE - 1/8"=1'-0"
REF:SHH

REVISION MARK	REVISION DETAILS	DATE
0	FOR APPROVAL	02/25/2020

ACCESSORIES SCHEDULE

S. NO	ELEMENT	DESCRIPTION	HEIGHT	QUANTITY	LFT	REMARK
1	12" THK WIDTH BEAM	BEAM BOLTERS - BB @ 4'-0" C/C BEAM BOLTERS - 5'-0" LENGTH (PLASTIC TIPPED)	2"	-	330	FOR BEAM
2	5" THK SLAB ON GRADE	SLAB BOLTERS - SB @ 4'-0" C/C (PLASTIC TIPPED)	3"	-	1997	FOR SLAB

PLEASE VERIFY THE ACCESSORIES TYPE FOLLOWED

Abbreviations:
 IF=Inside Face
 OF=Outside Face
 EF=Each Face
 DWL=Dowel
 V=Vertical
 H=Horizontal
 C-B=Corner Bar
 S-DWL=Slab Dowel
 E-W=Each Way
 B-BOT=Bottom
 T=Top
 MDWL=Masonry Dowel
 B-B=Bond Beam
 ALT. Alternate
 Approx: Approximate

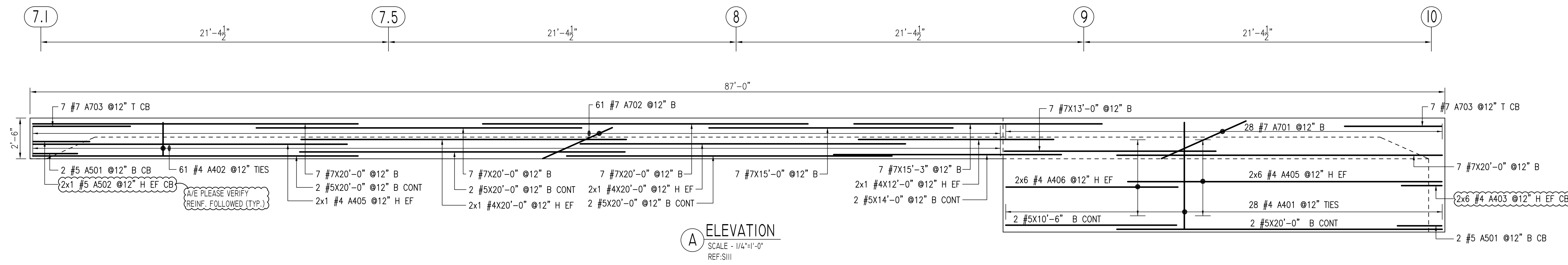
OPNG=Opening
 BAL: Balance
 BTW: Between
 C=Construction Joint
 CLR: CLEARANCE
 CMU= Concrete Masonry Unit
 CONT=Continuous
 EA=Each
 Elev.=Elevation
 EMB=Embedment
 SW=Short Way
 LW=Long Way
 (BL)=Black Bar
 (EP)=Epoxy Bar
 (GA)=Galvanized

NOTICE

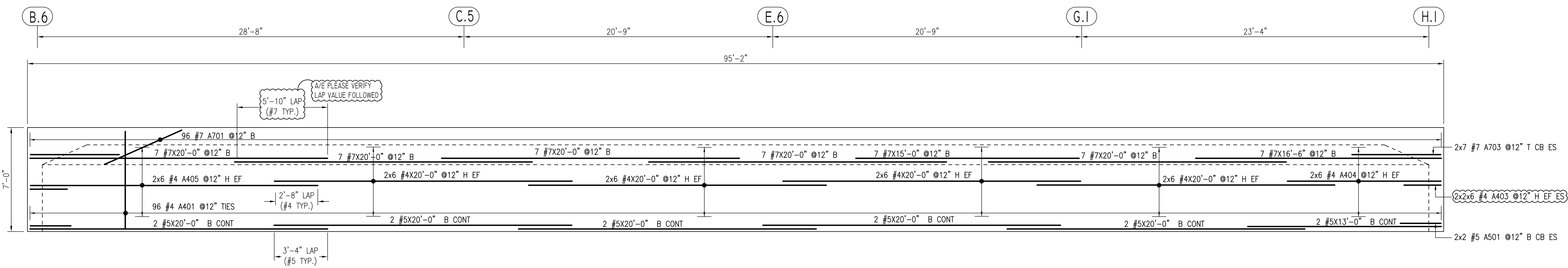
Shortages, improper fabrication or claims for any other reason must be reported to this company within a period of 15 days of delivery. This company reserves the right to field inspect prior to replacement or reconditioning of nonconforming material, and will not honor charges for work done in the field without specific authorization from this company.

REINFORCING STEEL PLACING DRAWINGS ONLY USE IN CONJUNCTION WITH CONTRACT DRAWINGS & SPECIFICATIONS. ELEVATIONS & DIMENSIONS SHOWN ON THIS DRAWING ARE FOR DETAILING PURPOSES ONLY AND SHOULD NOT BE USED FOR CONSTRUCTION UNLESS VERIFIED BY ENGINEER OR CONTRACTOR.

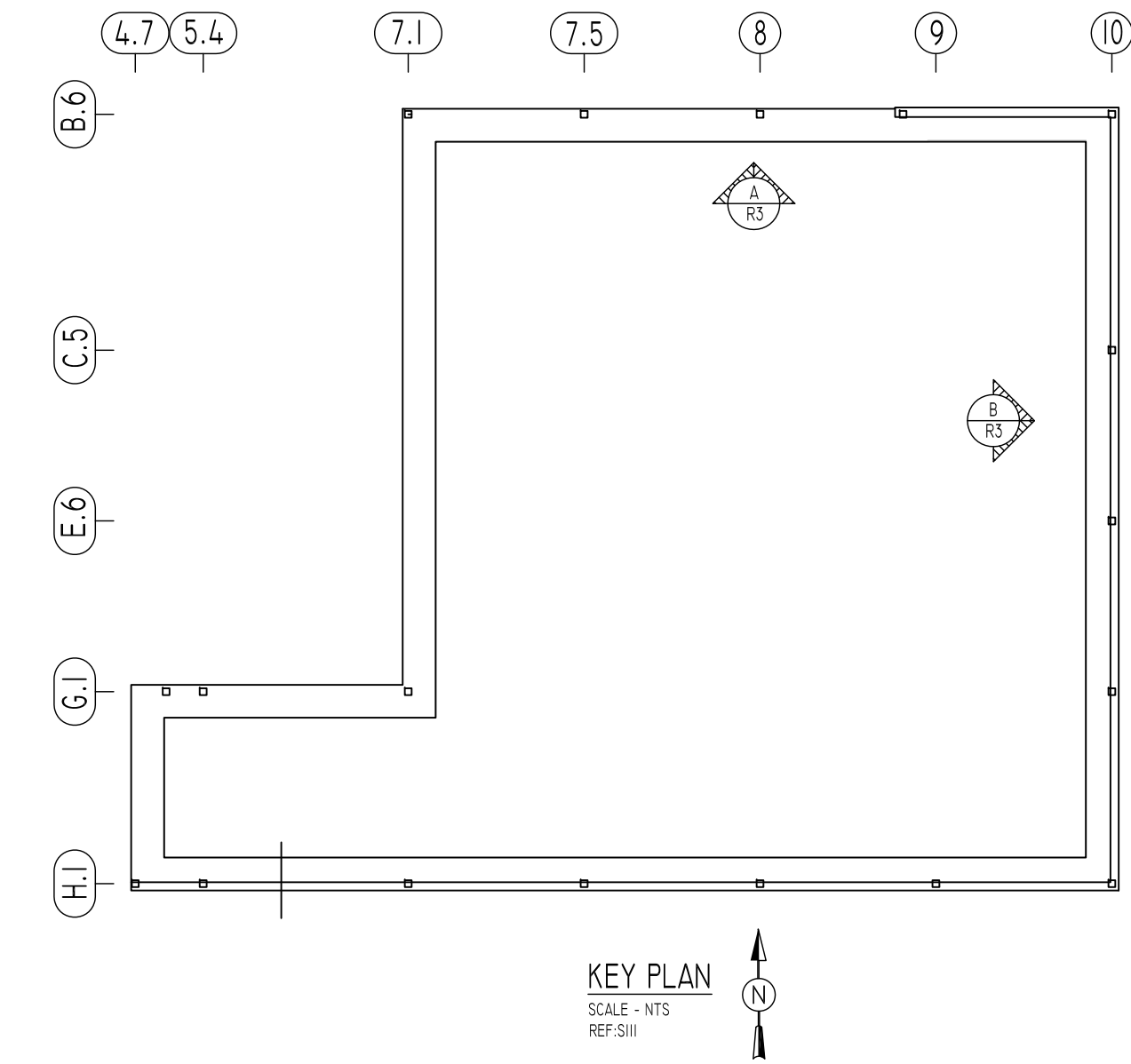
PROJECT	B&M MEATS		
LOCATION	WILMINGTON, DELAWARE		
ARCHITECT	-		
ENGINEER	DUMACK ENGINEERING		
CUSTOMER	JAR EXCAVATING		
DRAWN BY:	DATE:	REVIEWED BY:	JOB NO.
PTJ/MRS	02/25/20	T/L	20017
DRAWING TITLE:	TOP T1 & T2 LAYER MAT SLAB REINFORCEMENT DETAILS		DRAWING NO.:
			R2



A ELEVATION
SCALE - 1/4"=1'-0"
REF.S11



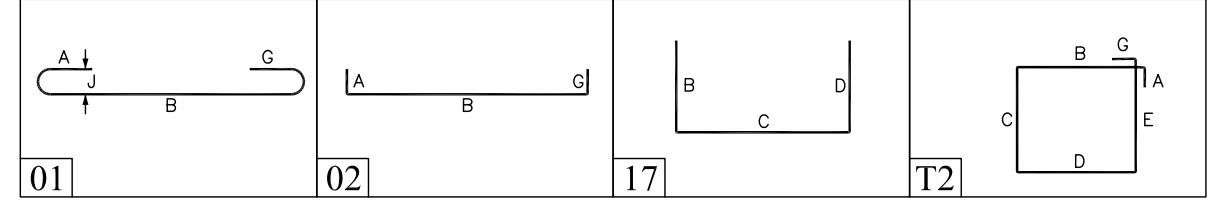
B ELEVATION
SCALE - 1/4"=1'-0"
REF.S11



KEY PLAN
SCALE - 1/8"=1'-0"
REF.S11

Release Code: R3

Bar Mark	Qty	Size	Total length	Type	A'	B'	C'	D'	E'	F'	G'	H'	I'	J'	K'	L'	M'	N'
A401	124	#4	5'2"	12	4 1/2"	7"	6'7"	8"	6'7"		4 1/2"							
A402	61	#4	4'1"	12	4 1/2"	7"	2'1"	7"	2'1"		4 1/2"							
A403	36	#4	5'0"	17		2'6"	2'6"											
A404	12	#4	10'0"	2	8"	10'4"												
A405	26	#4	20'0"	2	8"	19'4"												
A406	12	#4	11'3"	2	8"	10'7"												
A501	8	#5	5'6"	17		2'9"	2'9"											
A502	2	#5	7'0"	17		3'6"	3'6"											
A701	124	#7	7'5"	1	10"	5'9"				10"								
A702	61	#7	6'5"	1	10"	4'9"				10"								
A703	28	#7	12'0"	17		6'0"												



LAP SCHEDULE
4000 PSI

SIZE	TOP	OTHERS
#3	24"	19"
#4	32"	25"
#5	40"	31"
#6	48"	37"
#7	70"	54"
#8	80"	62"
#9	91"	70"
#10	102"	79"
#11	115"	87"

TYPICAL REINFORCING BAR CLEARANCE TABLE

LOCATION	MIN. COVER
FOOTINGS AGAINST EARTH	3" CLR
WALLS INTERIOR FACE	3" CLR
WALLS EXTERIOR FACE	2" CLR
SLAB TOP	2" CLR
SLAB BOTTOM	3" CLR

**ALL BARS IN THIS DRAWING
ASTM A615 GRADE 60
BLACK UNCOATED**

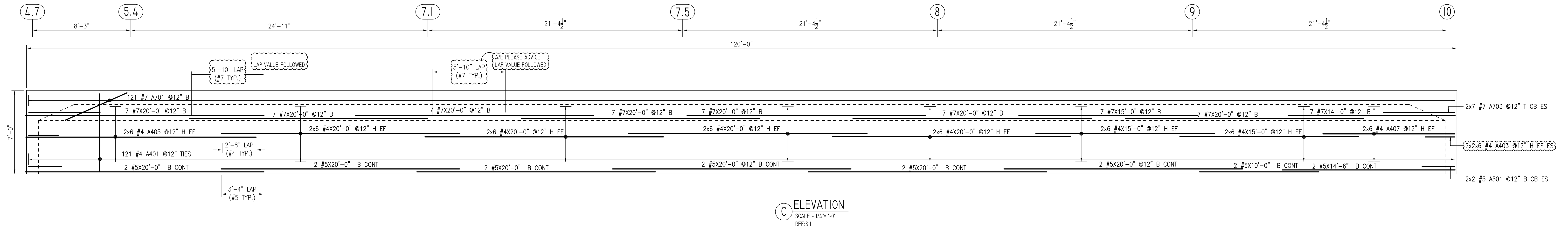
- Abbreviations:**
 IF=Inside Face
 OF=Outside Face
 EF=Each Face
 DWL=Dowel
 V=Vertical
 H=Horizontal
 C-B=Corner Bar
 S-DWL=Slab Dowel
 E-W=Each Way
 B-BOT=Bottom
 T=Top
 MDWL=Masonry Dowel
 B-B=Bond Beam
 A.L.T.=Alternate
 Approx.=Approximate
- OPNG=Opening**
 BAL=Balance
 BTW=Between
 C-J=Construction Joint
 CLR=CLEARANCE
 CMU=Concrete Masonry Unit
 CONT=Continuous
 EA=Each
 Elev.=Elevation
 EMB=Embedment
 SW=Short Way
 LW=Long Way
 (BL)=Black Bar
 (EP)=Epoxy Bar
 (GA)=Galvanized

NOTICE
 Shortages, improper fabrication or claims for any other reason must be reported to this company within a period of 15 days of delivery. This company reserves the right to field inspect prior to replacement or reconditioning of nonconforming material, and will not honor charges for work done in the field without specific authorization from this company.

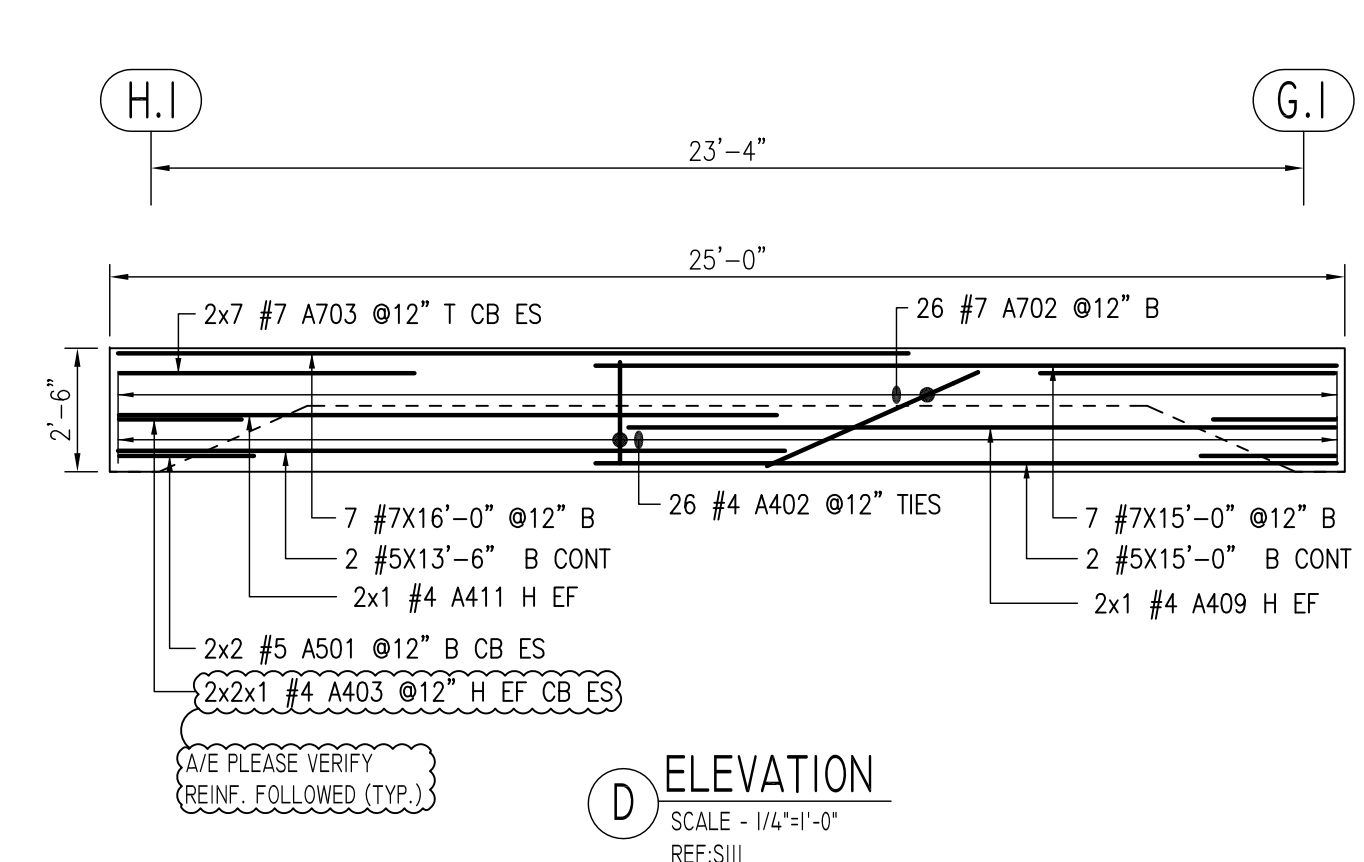
REINFORCING STEEL PLACING DRAWINGS ONLY USE IN CONJUNCTION WITH CONTRACT DRAWINGS & SPECIFICATIONS. ELEVATIONS & DIMENSIONS SHOWN ON THIS DRAWING ARE FOR DETAILING PURPOSES ONLY AND SHOULD NOT BE USED FOR CONSTRUCTION UNLESS VERIFIED BY ENGINEER OR CONTRACTOR.

REVISION MARK	REVISION DETAILS	DATE
0	FOR APPROVAL	02/25/2020

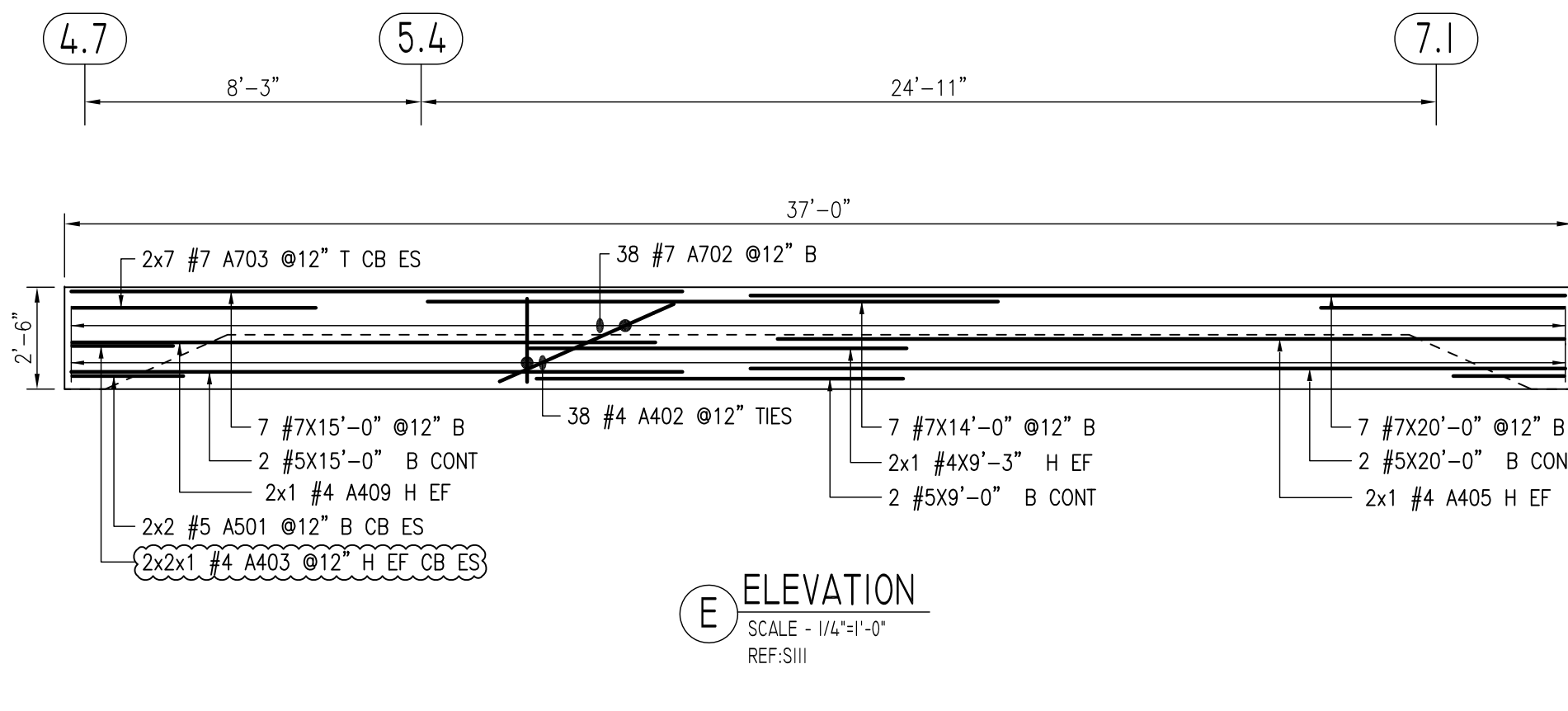
PROJECT	B&M MEATS
LOCATION	WILMINGTON, DELAWARE
ARCHITECT	-
ENGINEER	DUMACK ENGINEERING
CUSTOMER	JAR EXCAVATING
DRAWN BY:	PTJ/MRS
DATE:	02/25/20
REVIEWED BY:	T/L
JOB NO.	20017
DRAWING TITLE:	FOUNDATION ELEVATION A-B REINFORCEMENT DETAILS
DRAWING NO.:	R3



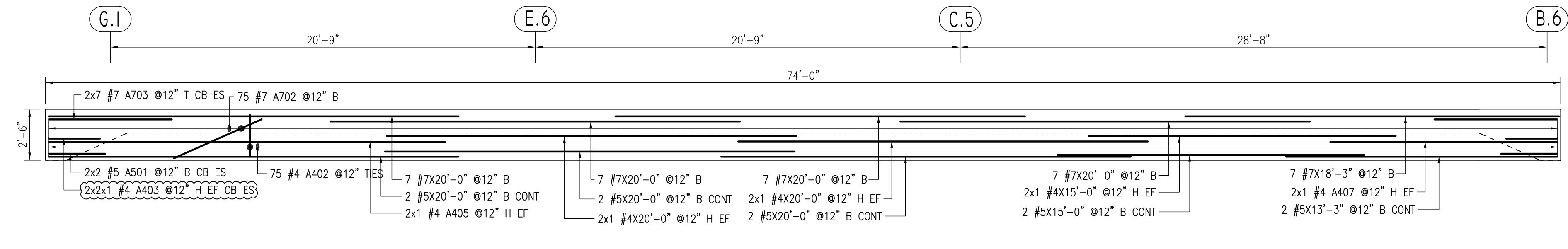
C ELEVATION
SCALE - 1/4"=1'-0"
REF: S11



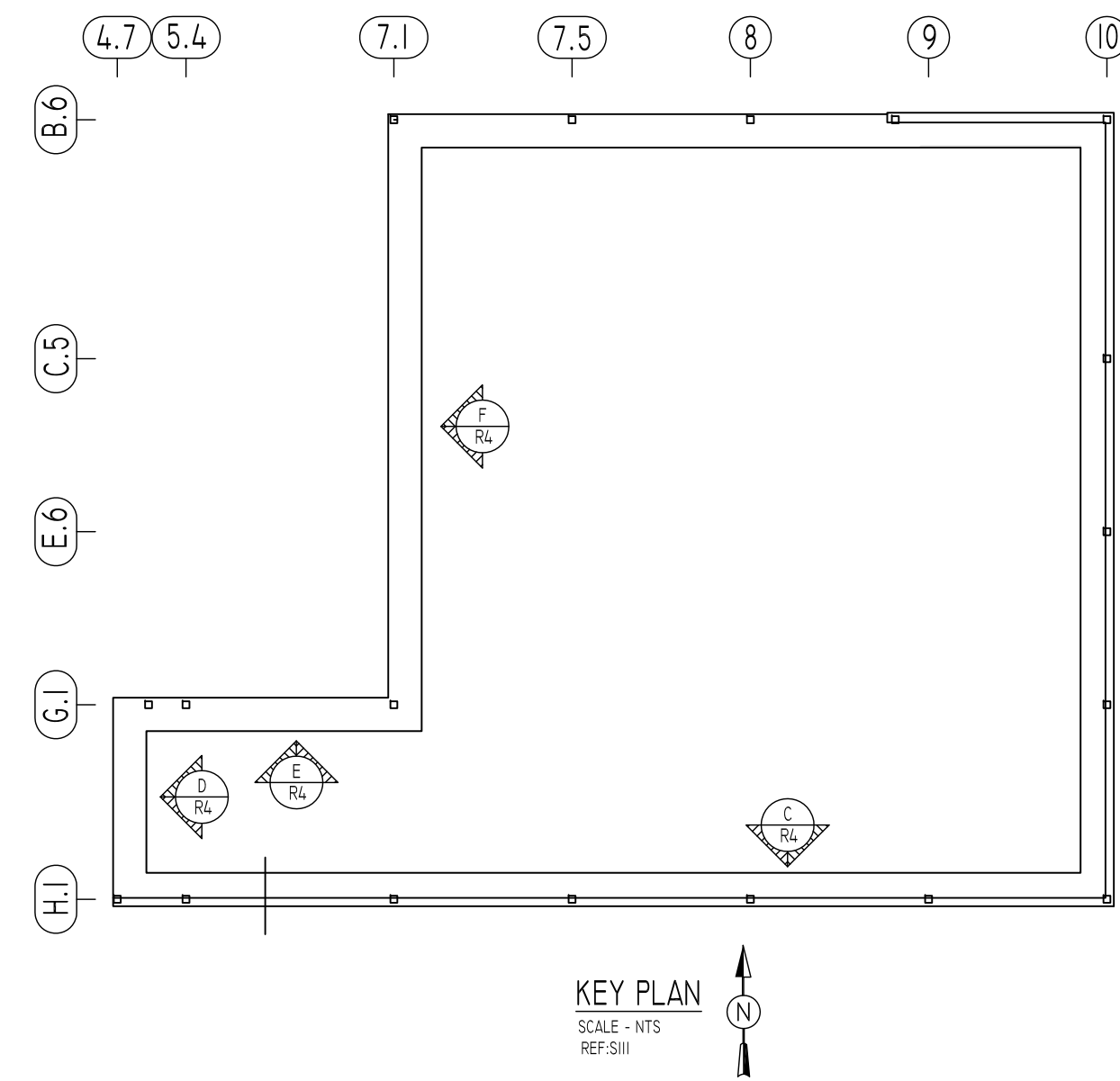
D ELEVATION
SCALE - 1/4"=1'-0"
REF: S11



E ELEVATION
SCALE - 1/4"=1'-0"
REF: S11



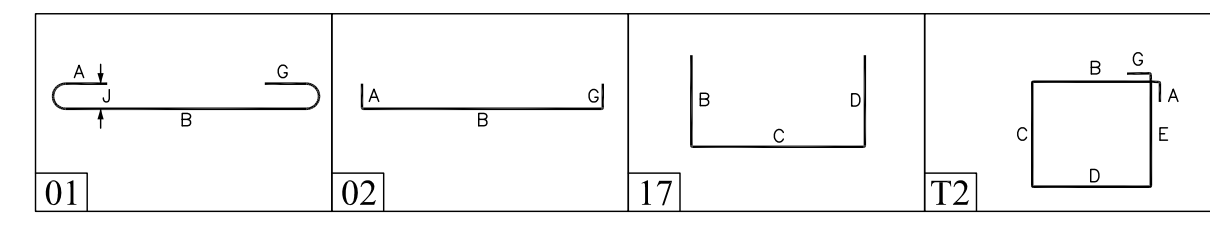
F ELEVATION
SCALE - 1/4"=1'-0"
REF: S11



KEY PLAN
SCALE - NTS
REF: S11

Release Code: R4

BENDING DETAILS.														
Bar Mark	Qty	Size	Total Length	Type	'A'	'B'	'C'	'D'	'E'	'F'	'G'	'H'	'J'	'K'
A401	12	#4	15' 12"	4 1/2"	7"	6' 7"	8"	6' 7"	4 1/2"					
A402	139	#4	6' 12"	4 1/2"	7"	2' 11"	7"	2' 11"	4 1/2"					
A403	36	#4	5' 0"	17"		2' 6"	2' 6"							
A405	16	#4	20' 0"	2	8"	19' 4"								
A407	14	#4	11' 9"	2	8"	11' 1"								
A409	4	#4	15' 0"	2	8"	14' 4"								
A411	2	#4	14' 0"	2	8"	13' 4"								
A501	16	#5	5' 6"	17"		2' 9"	2' 9"							
A701	12	#7	7' 5"	1	10"	5' 9"			10"				7"	
A702	139	#7	6' 5"	1	10"	4' 9"			10"				7"	
A703	16	#7	12' 0"	17"		6' 0"	6' 0"							



TYPICAL REINFORCING BAR CLEARANCE TABLE	
LOCATION	MIN. COVER
FOOTINGS AGAINST EARTH	3" CLR
WALLS INTERIOR FACE	3" CLR
WALLS EXTERIOR FACE	2" CLR
SLAB TOP	2" CLR
SLAB BOTTOM	3" CLR

A/E PLEASE VERIFY THE CLEARANCE FOLLOWED.

**ALL BARS IN THIS DRAWING
ASTM A615 GRADE 60
BLACK UNCOATED**

LAP SCHEDULE		
SIZE	4000 PSI	
	TOP	OTHERS
#3	24"	19"
#4	32"	25"
#5	40"	31"
#6	48"	37"
#7	70"	54"
#8	80"	62"
#9	91"	70"
#10	102"	79"
#11	113"	87"

A/E PLEASE VERIFY THE LAP SCHEDULE FOLLOWED.

Abbreviations:
 IF=Inside Face
 OF=Outside Face
 EF=Each Face
 DWL=Dowel
 V=Vertical
 H=Horizontal
 C-B=Corner Bar
 S-DWL=Slab Dowel
 E-W=Each Way
 BBOT=Bottom
 T=Top
 MDWL=Masonry Dowel
 B-B=Bond Beam
 ALT=Alternate
 Approx=Approximate

OPNG=Opening
 BAL=Balance
 BTW=Between
 C-Construction Joint
 CLR=CLEARANCE
 CMU=Concrete Masonry Unit
 CONT=Continuous
 EA=Each
 Elev=Elevation
 EMB=Embedment
 SW=Short Way
 LW=Long Way
 (BL)=Black Bar
 (EP)=Epoxy Bar
 (GA)=Galvanized

NOTICE
 Shortages, improper fabrication or claims for any other reason must be reported to this company within a period of 15 days of delivery. This company reserves the right to field inspect prior to replacement or reconditioning of nonconforming material, and will not honor charges for work done in the field without specific authorization from this company.

REINFORCING STEEL PLACING DRAWINGS ONLY USE IN CONJUNCTION WITH CONTRACT DRAWINGS & SPECIFICATIONS. ELEVATIONS & DIMENSIONS SHOWN ON THIS DRAWING ARE FOR DETAILING PURPOSES ONLY AND SHOULD NOT BE USED FOR CONSTRUCTION UNLESS VERIFIED BY ENGINEER OR CONTRACTOR.

REVISION MARK	REVISION DETAILS	DATE
0	FOR APPROVAL	02/25/2020

PROJECT	B&M MEATS
LOCATION	WILMINGTON, DELAWARE
ARCHITECT	-
ENGINEER	DUMACK ENGINEERING
CUSTOMER	JAR EXCAVATING
DRAWN BY:	PTJ/MRS
DATE:	02/25/20
REVIEWED BY:	T/L
JOB NO.	20017
DRAWING TITLE:	FOUNDATION ELEVATION C-F REINFORCEMENT DETAILS
DRAWING NO.:	R4