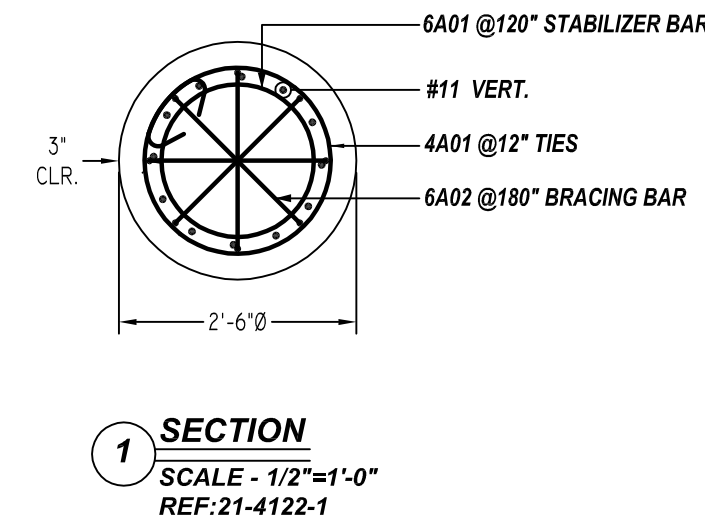
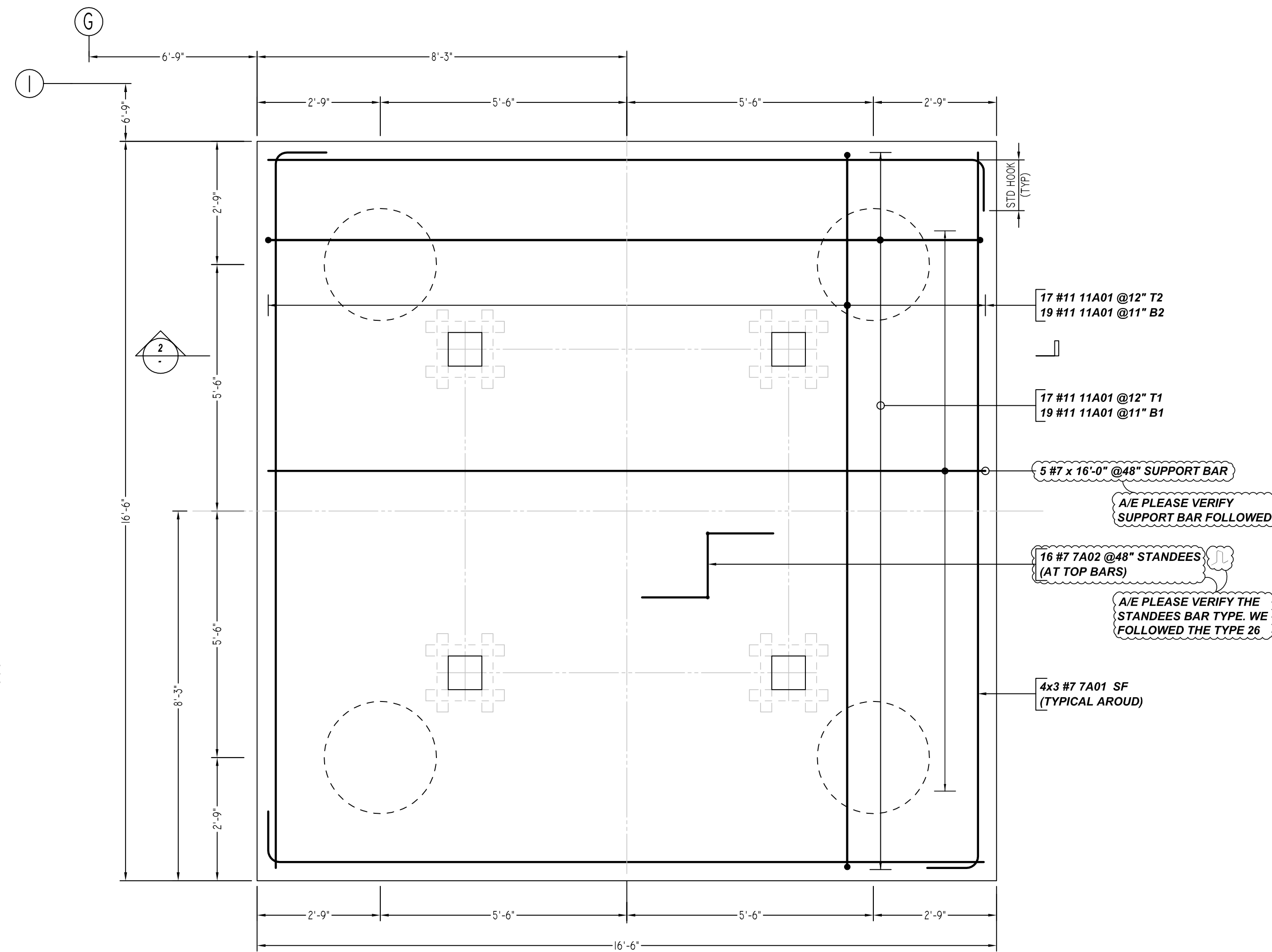


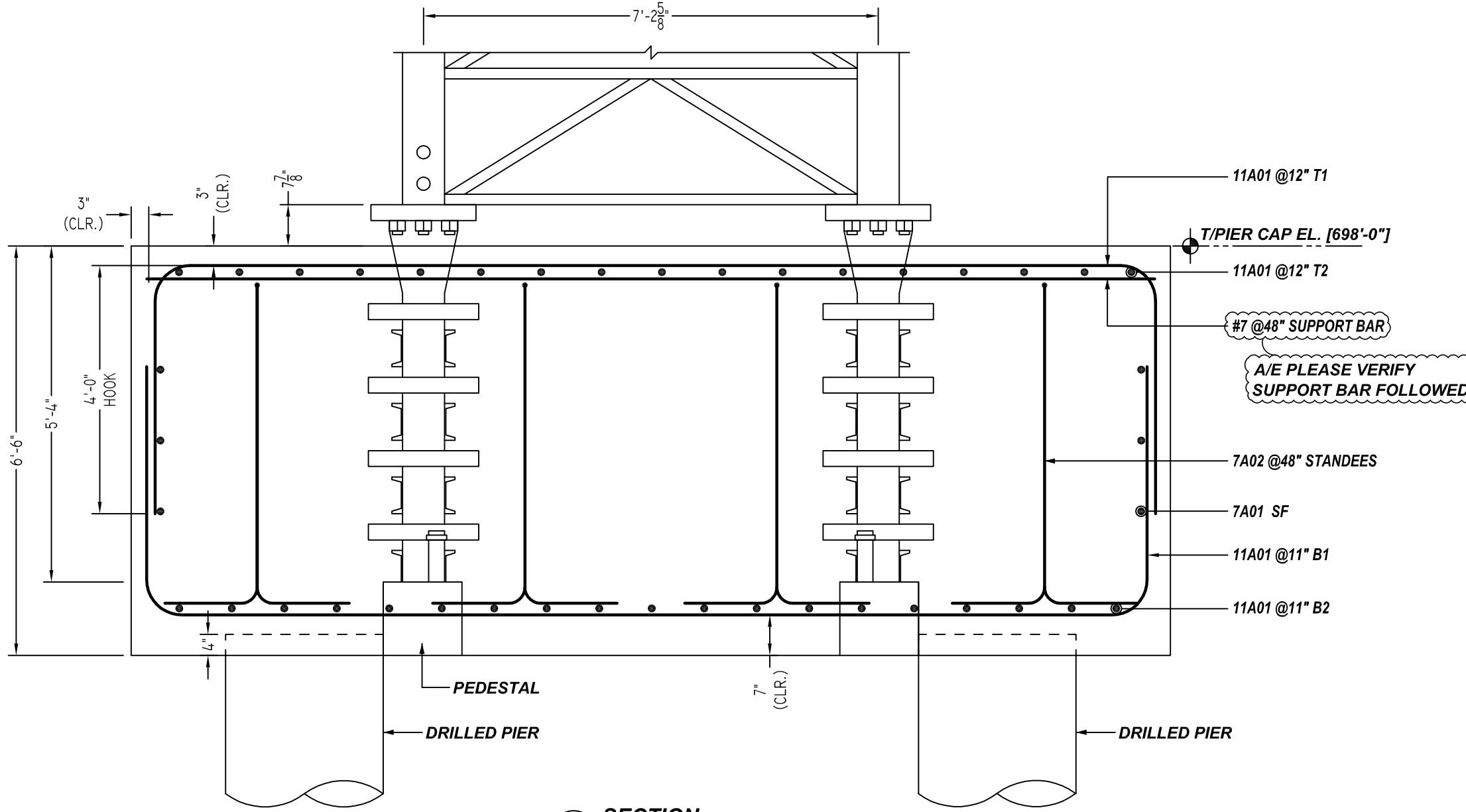
PIER FOR TOWER CRANE #1
 SCALE - 1/2"=1'-0"
 REF:21-4122-1
 (4 LOCATIONS)



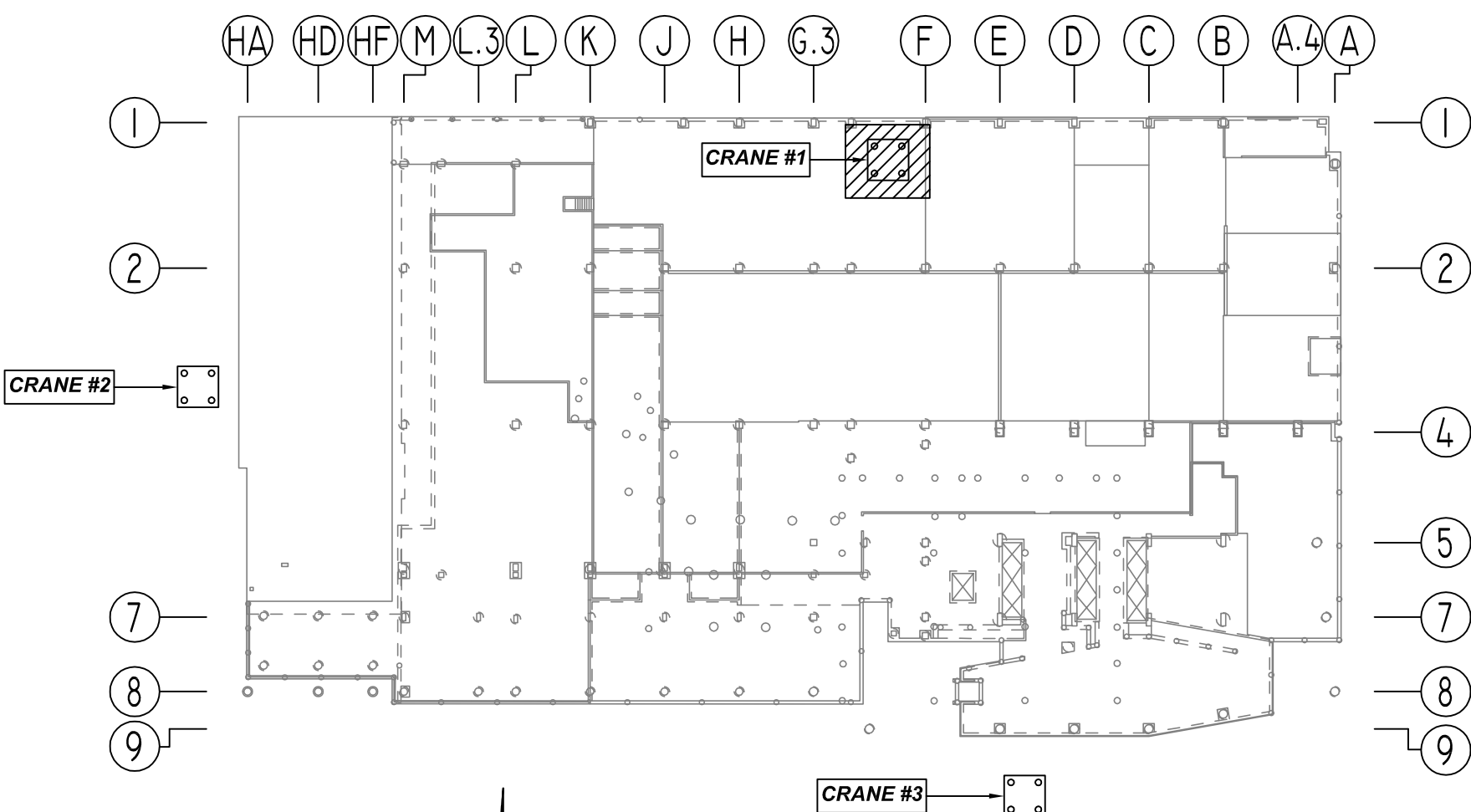
SECTION 1
 SCALE - 1/2"=1'-0"
 REF:21-4122-1



PIER CAP FOR TOWER CRANE #1
 BOT AND TOP MAT DETAILS
 SCALE - 1/2"=1'-0"
 REF:21-4122-1



SECTION 2
 SCALE - 1/2"=1'-0"
 REF:21-4122-1



TOWER CRANE FOUNDATION KEY PLAN
 SCALE - 1/84"=1'-0"
 REF:22.010

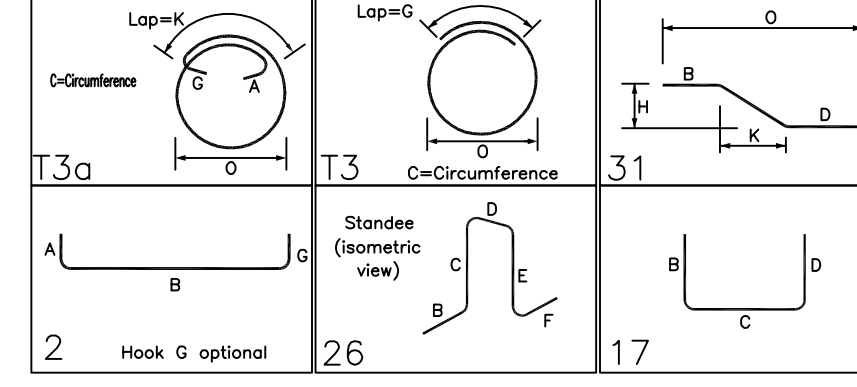
Release Number: R1.001

Bar Mark	Qty	Size	Total Length	Type	X	Y	Z	W	V	U	T	S	R	Q	P
4A01	44	#4	8'-0"	T3	0'-4"									0'-4"	2'-0"
6A01	8	#6	6'-9"	T3										1'-7"	1'-8"
6A02	16	#6	6'-8 1/2"	T3										1'-11"	5'-11"
7A01	12	#7	17'-2"	2	1'-2"	16'-0"									
7A02	16	#7	14'-8"	28	1'-6"	5'-1 1/2"	1'-6"								
11A01	72	#11	24'-0"	17	4'-0"	16'-0"	4'-0"								

TYPICAL REINFORCING BAR CLEARANCE TABLE

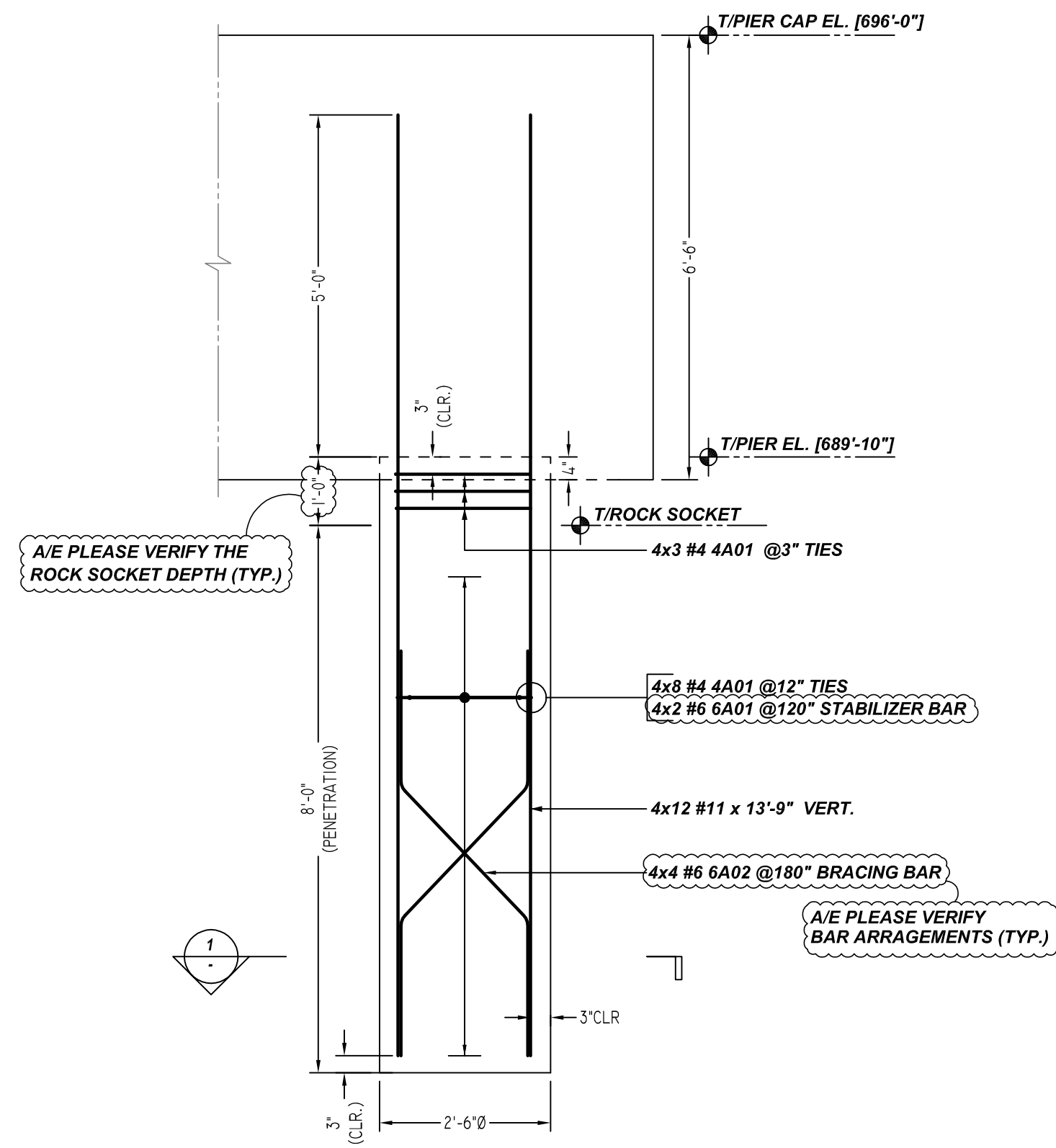
LOCATION	MIN. COVER
PIER	3" CLR
FOUNDATION ALL SIDES	3" CLR
FOUNDATION BOTTOM	7" CLR

ALL BARS IN THIS DRAWING
 ASTM A615 GRADE 60
 BLACK UNCOATED

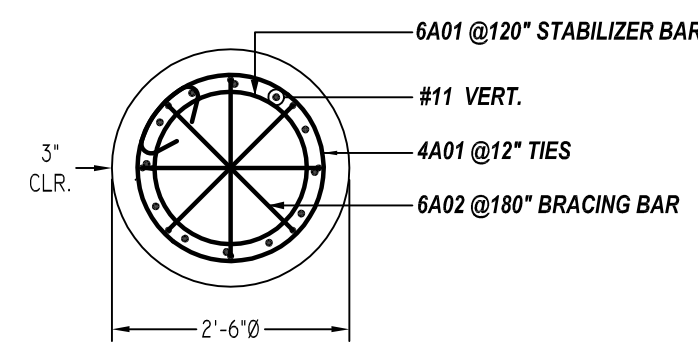


THE PLACING DRAWING IS D'AMBRA'S INTERPRETATION OF THE CONTRACT DRAWINGS. IT IS NOT INTENDED AS A STANDALONE DOCUMENT AND MUST ALWAYS BE USED IN CONJUNCTION WITH THE CONTRACT DRAWINGS.

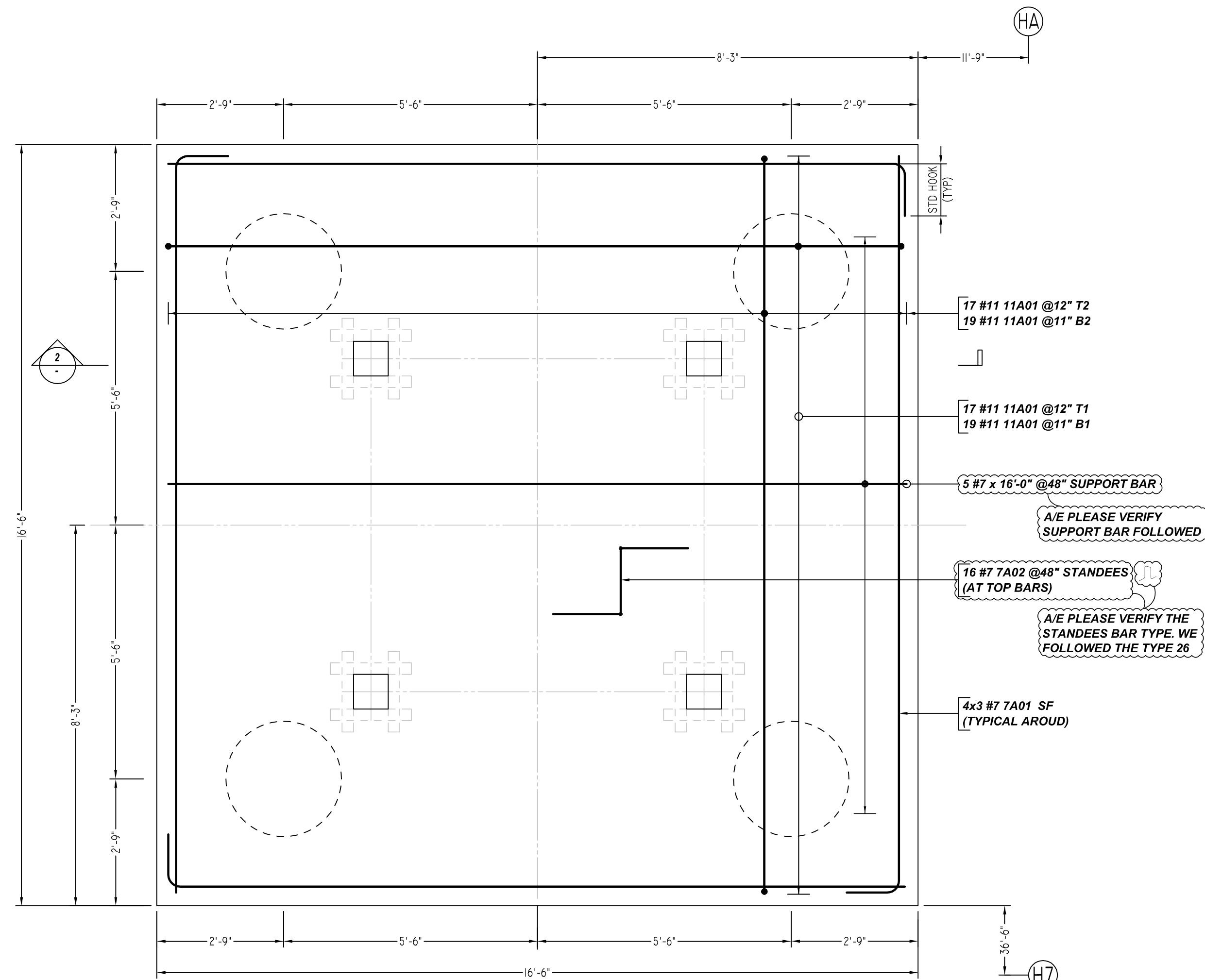
SHEET TITLE: TOWER CRANE #1 FOUNDATION DETAILS			
PROJECT: HALL PARK D1			
LOCATION: FRISCO, TX			
CUSTOMER: AUSTIN COMMERCIAL			
ENGINEER: BROCKETTE DAVIS DRAKE, INC.			
DETAILER: BCS		JOB # 21-030	SHEET # R1.001
ISS.	BY:	DATE	DESCRIPTION
0	BCS	12/01/21	FOR APPROVAL



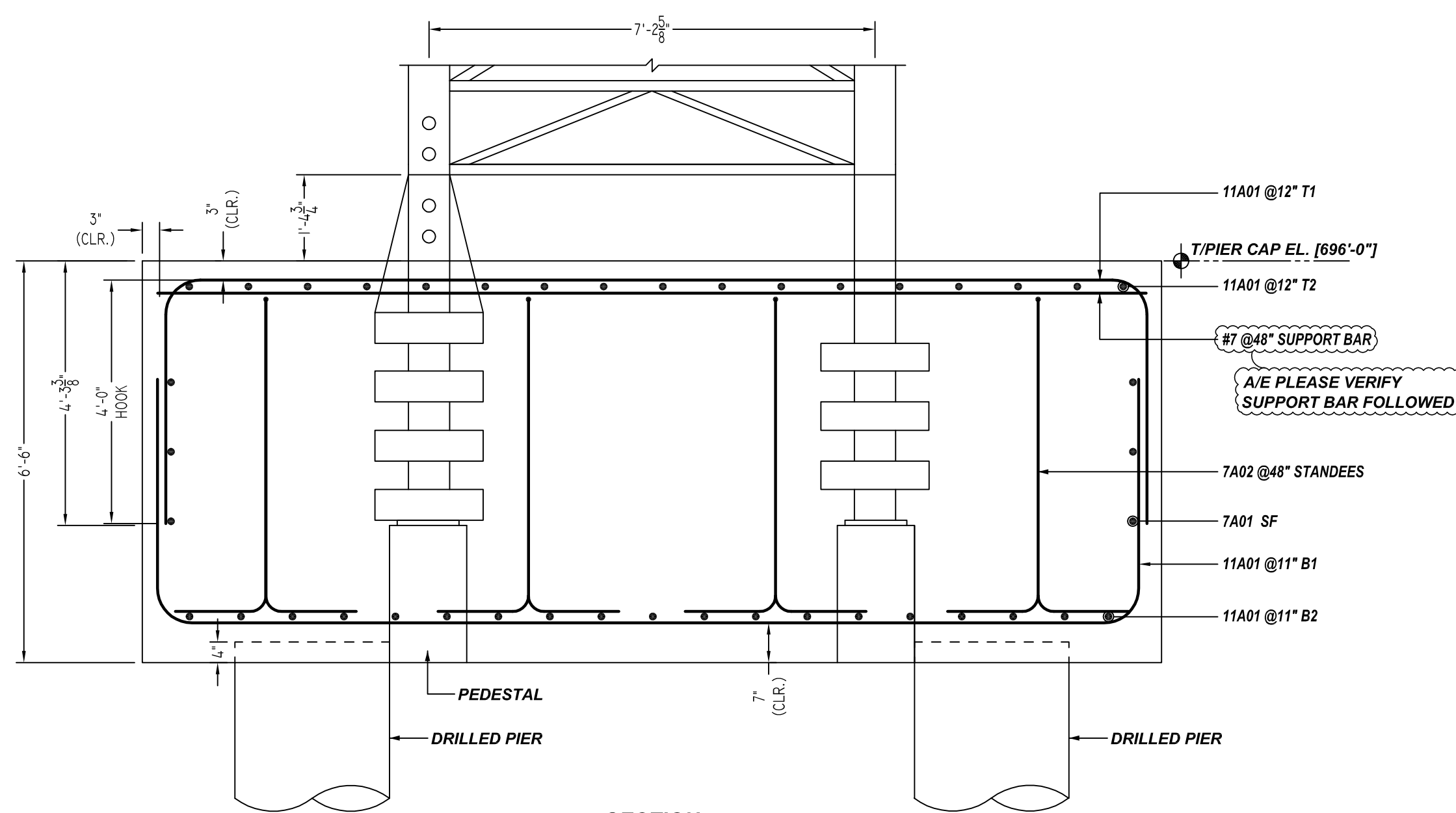
PIER FOR TOWER CRANE #2
SCALE - 1/2"=1'-0"
REF:21-4122-2
(4 LOCATIONS)



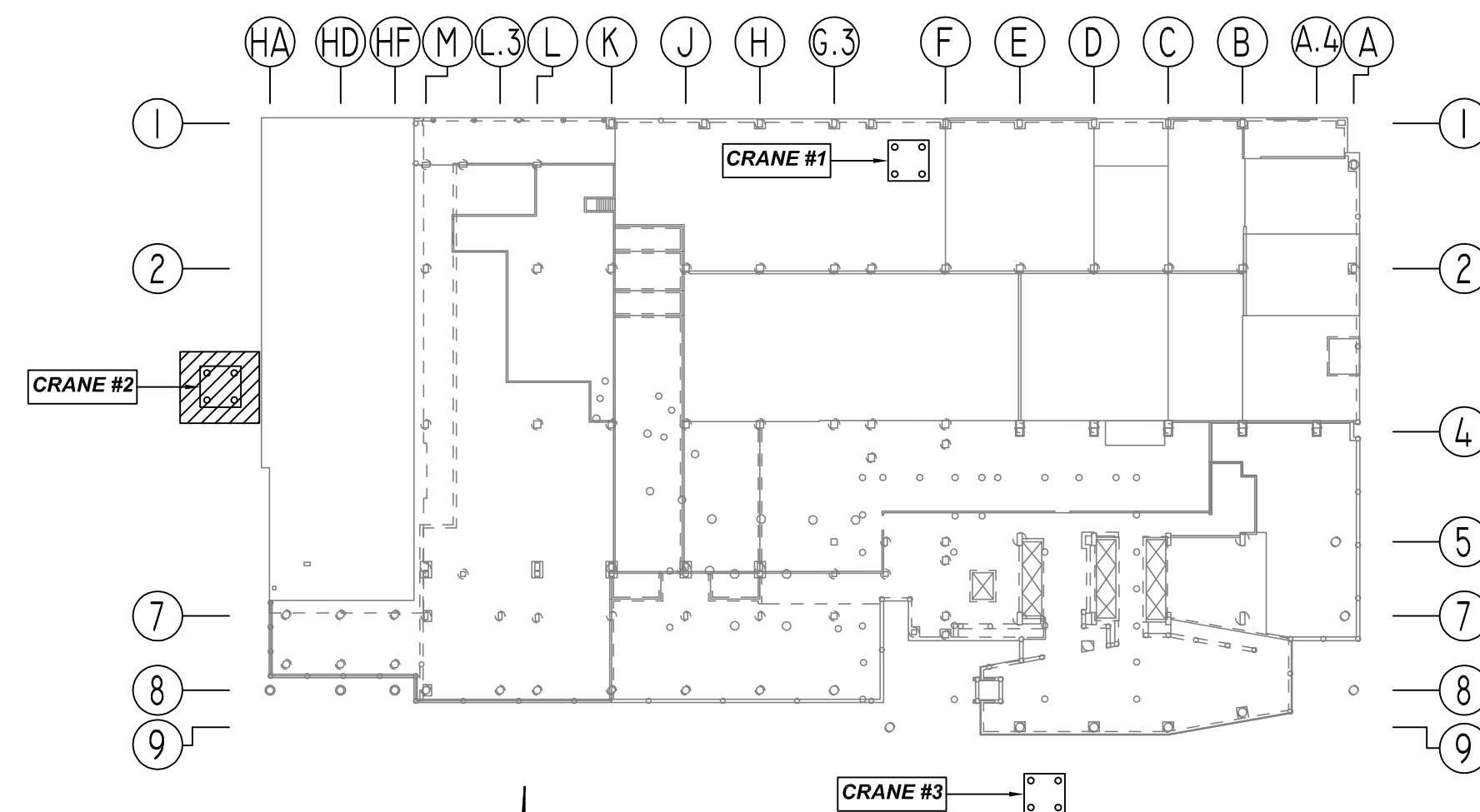
SECTION 1
SCALE - 1/2"=1'-0"
REF:21-4122-2



PIER CAP FOR TOWER CRANE #2
BOT AND TOP MAT DETAILS
SCALE - 1/2"=1'-0"
REF:21-4122-2



SECTION 2
SCALE - 1/2"=1'-0"
REF:21-4122-2



TOWER CRANE FOUNDATION KEY PLAN
SCALE - 1/64"=1'-0"
REF:S2.010

THE PLACING DRAWING IS D'AMBRA'S INTERPRETATION OF THE CONTRACT DRAWINGS. IT IS NOT INTENDED AS A STANDALONE DOCUMENT AND MUST ALWAYS BE USED IN CONJUNCTION WITH THE CONTRACT DRAWINGS.

SHEET TITLE:
**TOWER CRANE #2
FOUNDATION DETAILS**

PROJECT:
HALL PARK D1

LOCATION:
FRISCO, TX

CUSTOMER:
AUSTIN COMMERCIAL

ENGINEER:
BROCKETTE DAVIS DRAKE, INC.

DETAILER: BCS JOB # 21-030 SHEET # R1.002

Bar Mark	Qty	Size	Total Length	Type	X	Y	Z	W	V	U	T	S	R	Q	P	O	N	M	L	K	J	I	H	G	F	E	D	C	B	A
4A01	44	#4	8'-0"	T3a	0'-4"			6'-3"						0'-4"								1'-0"	2'-0"							
5A01	8	#6	6'-0"	T3				5'-2"						1'-7"																
6A02	16	#6	6'-0"	T3				2'-8"		2'-0"												1'-11"	5'-11"							
7A01	12	#7	17'-2"	2	1'-2"			16'-0"		2'-8"																				
7A02	16	#7	14'-9"	26	1'-6"			5'-1"		1'-6"	5'-1"		1'-6"																	
11A01	72	#11	24'-0"	17	4'-0"			16'-0"		4'-0"																				

LOCATION	MIN. COVER
PIER	3" CLR
FOUNDATION ALL SIDES	3" CLR
FOUNDATION BOTTOM	7" CLR

**ALL BARS IN THIS DRAWING
ASTM A615 GRADE 60
BLACK UNCOATED**

