

**(SECTOR 1)-DRILLED PIER LAYOUT**

REF: S2.011 (DT.09/17/21)  
SCALE: 1/8" = 1'-0"

**LEGEND:**  
(XX'-XX") INDICATES TOP OF DRILLED PIER  
(XX'-X") PENETRATION IN FEET

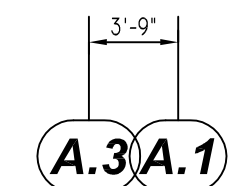
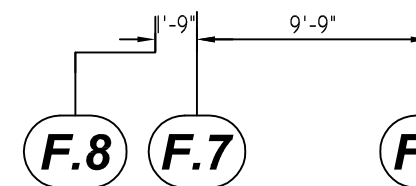
**LAP SCHEDULE**

BAR#	SPLICE LENGTH (INCHES)
#3	12
#4	19
#5	24
#6	29
#7	42
#8	48
#9	54
#10	61
#11	85

TYPICAL REINFORCING BAR CLEARANCE TABLE	
LOCATION	MIN. COVER
PIER TOP & BOTTOM	3" CLR
PIER SIDES	3" CLR

**TIES & LINKS IN THIS DRAWING  
ASTM A615 GRADE 60 BLACK UNCOATED**

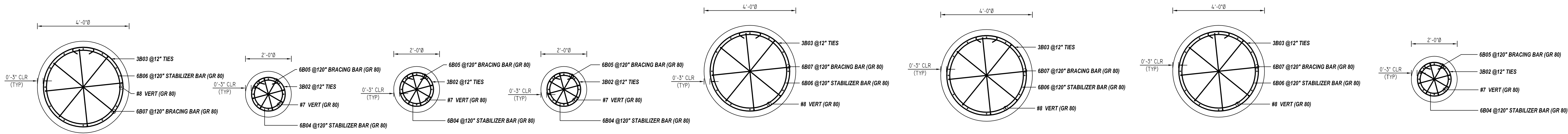
**PIER VERTICALS & COLUMN DOWELS IN THIS DRAWING  
ASTM A615 GRADE 80 BLACK UNCOATED**



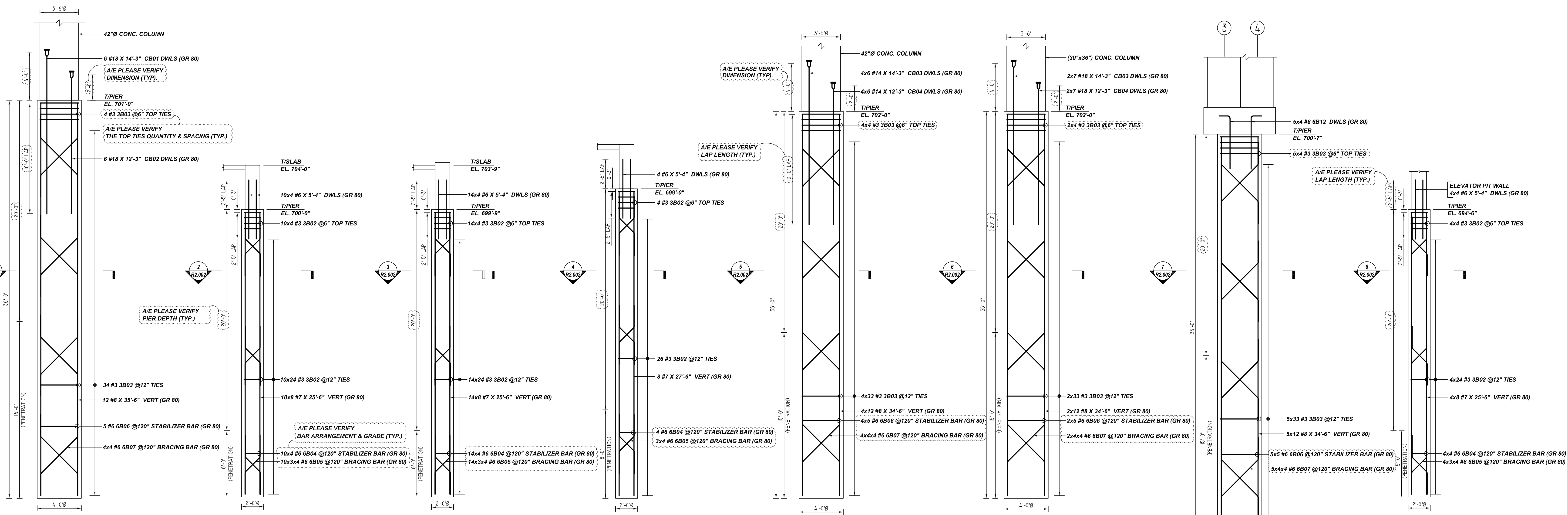
THE PLACING DRAWING IS D'AMBRA'S INTERPRETATION OF THE CONTRACT DRAWINGS. IT IS NOT INTENDED AS A STANDALONE DOCUMENT AND MUST ALWAYS BE USED IN CONJUNCTION WITH THE CONTRACT DRAWINGS.

SHEET TITLE: <b>SECTOR 1 DRILLED PIER &amp; DOWEL</b>			
PROJECT: HALL PARK D1			
LOCATION: FRISCO, TEXAS			
CUSTOMER: AUSTIN COMMERCIAL			
ENGINEER: BROCKETTE DAVIS DRAKE, INC.			
DETAILER: BCS		JOB # 21-030	SHEET # R2.001

ISS.	BY.	DATE	DESCRIPTION
0	BCS	12/06/21	FOR APPROVAL



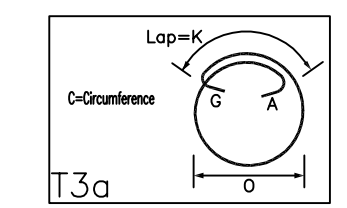
**1 SECTION** REF: S3.01 (DT.09/17/21) SCALE: 1/2" = 1'-0"  
**2 SECTION** REF: S3.01 (DT.09/17/21) SCALE: 1/2" = 1'-0"  
**3 SECTION** REF: S3.01 (DT.09/17/21) SCALE: 1/2" = 1'-0"  
**4 SECTION** REF: S3.01 (DT.09/17/21) SCALE: 1/2" = 1'-0"  
**5 SECTION** REF: S3.01 (DT.09/17/21) SCALE: 1/2" = 1'-0"  
**6 SECTION** REF: S3.01 (DT.09/17/21) SCALE: 1/2" = 1'-0"  
**7 SECTION** REF: S3.01 (DT.09/17/21) SCALE: 1/2" = 1'-0"  
**8 SECTION** REF: S3.01 (DT.09/17/21) SCALE: 1/2" = 1'-0"



**PIER 48-16** REF: S3.01 (DT.09/17/21) SCALE: 1/4" = 1'-0"  
**PIER 24-6** REF: S3.01 (DT.09/17/21) SCALE: 1/4" = 1'-0" (10 LOCATIONS)  
**PIER 24-6(A)** REF: S3.01 (DT.09/17/21) SCALE: 1/4" = 1'-0" (14 LOCATIONS)  
**PIER 24-8** REF: S3.01 (DT.09/17/21) SCALE: 1/4" = 1'-0"  
**PIER 48-15** REF: S3.01 (DT.09/17/21) SCALE: 1/4" = 1'-0" (4 LOCATIONS)  
**PIER 48-15(A)** REF: S3.01 (DT.09/17/21) SCALE: 1/4" = 1'-0" (2 LOCATIONS)  
**PIER 48-15(B)** REF: S3.01 (DT.09/17/21) SCALE: 1/4" = 1'-0" (5 LOCATIONS)  
**PIER 24-6(B)** REF: S3.01 (DT.09/17/21) SCALE: 1/4" = 1'-0" (4 LOCATIONS)

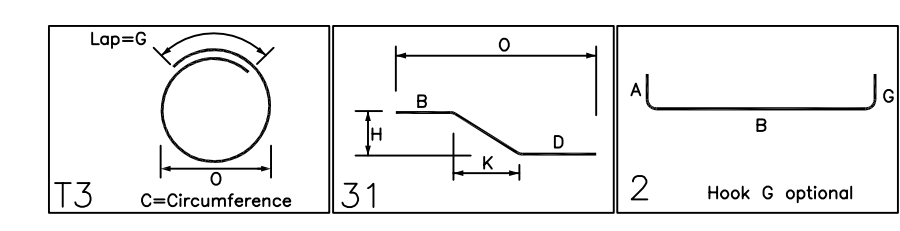
Release Number: R2.002 (GR 80)

Bar Mark	Qty	Size	Total Length	Type	X	Y	Z	U	V	W	X	Y	Z	U	V	W
3B02	814	#3	6'-4 1/2"	15a	0'-4"						0'-4"					
3B03	445	#3	12'-7 1/2"	15a	0'-4"						10'-11 1/2"					



Release Number: R2.002 (GR 80)

Bar Mark	Qty	Size	Total Length	Type	X	Y	Z	U	V	W	X	Y	Z	U	V	W
6B04	116	#6	5'-7 1/2"	13							1'-7"					
6B05	348	#6	5'-11 1/2"	31							1'-5"					
6B06	60	#6	11'-10 1/2"	13							1'-3 1/2"					
6B07	192	#6	8'-8 1/2"	31							3'-3 1/2"					
6B12	20	#6	5'-10 1/2"	2							7'-3 1/2"					



**COUPLER BAR REINFORCEMENT DETAILS**

BAR MARK	BAR DIA	BAR SHAPE	QUANTITY	REMARK
CB01	#18	14'-3"	6	FOR COLUMN DOWEL
CB02	#18	12'-3"	6	FOR COLUMN DOWEL
CB03	#14	14'-3"	38	FOR COLUMN DOWEL
CB04	#14	12'-3"	38	FOR COLUMN DOWEL

**LAP SCHEDULE**

BAR#	SPLICE LENGTH (INCHES)
#3	12
#4	19
#5	24
#6	29
#7	42
#8	48
#9	54
#10	61
#11	85

**TYPICAL REINFORCING BAR CLEARANCE TABLE**

LOCATION	MIN. COVER
PIER TOP & BOTTOM	3" CLR
PIER SIDES	3" CLR

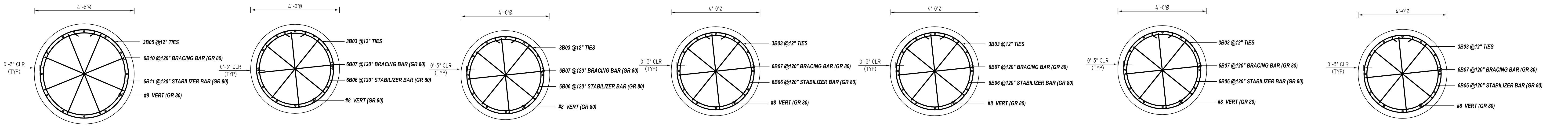
**TIES & LINKS IN THIS DRAWING**  
**ASTM A615 GRADE 60 BLACK UNCOATED**

**PIER VERTICALS & COLUMN DOWELS IN THIS DRAWING**  
**ASTM A615 GRADE 80 BLACK UNCOATED**

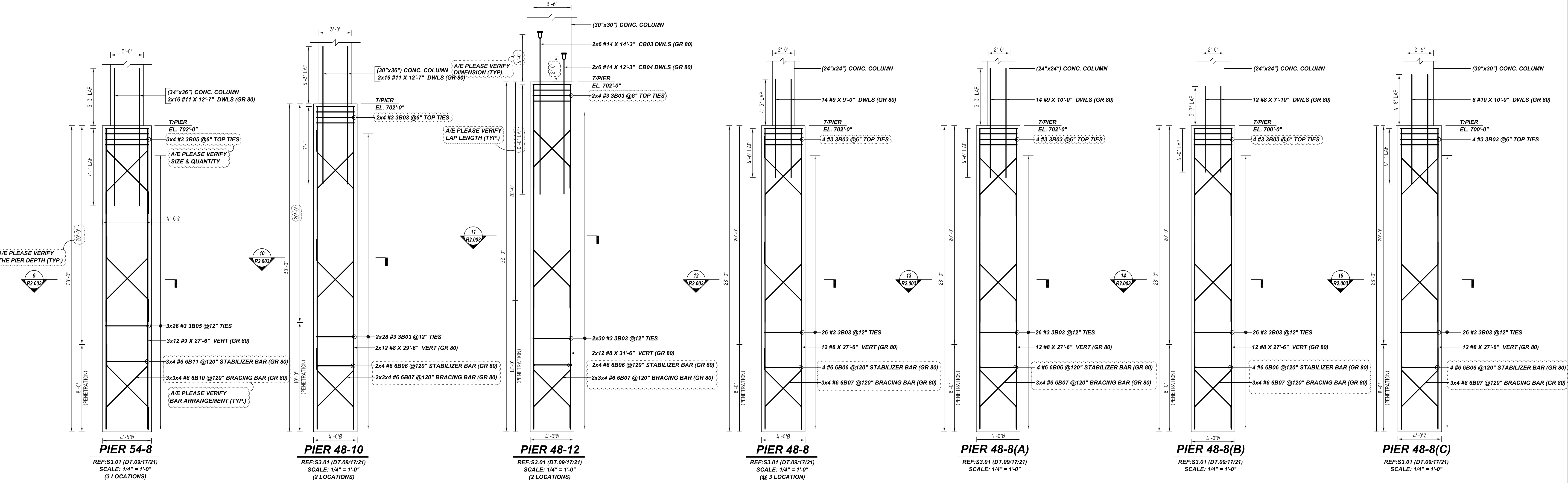
**#6 AND GREATER BAR**  
**ASTM A615 GRADE 60 BLACK UNCOATED**

THE PLACING DRAWING IS D'AMBRA'S INTERPRETATION OF THE CONTRACT DRAWINGS. IT IS NOT INTENDED AS A STANDALONE DOCUMENT AND MUST ALWAYS BE USED IN CONJUNCTION WITH THE CONTRACT DRAWINGS.

<b>SHEET TITLE:</b> SECTOR 1 DRILLED PIER & DOWEL			
<b>PROJECT:</b> HALL PARK D1			
<b>LOCATION:</b> FRISCO, TEXAS			
<b>CUSTOMER:</b> AUSTIN COMMERCIAL			
<b>ENGINEER:</b> BROCKETTE DAVIS DRAKE, INC.			
<b>DETAILER:</b> BCS		<b>JOB #</b> 21-030	<b>SHEET #</b> R2.002
<b>ISS.</b> 0	<b>BY.</b> BCS	<b>DATE</b> 12/06/21	<b>DESCRIPTION</b> FOR APPROVAL



**9 SECTION** REF: S3.01 (DT.09/17/21) SCALE: 1/2" = 1'-0"  
**10 SECTION** REF: S3.01 (DT.09/17/21) SCALE: 1/2" = 1'-0"  
**11 SECTION** REF: S3.01 (DT.09/17/21) SCALE: 1/2" = 1'-0"  
**12 SECTION** REF: S3.01 (DT.09/17/21) SCALE: 1/2" = 1'-0"  
**13 SECTION** REF: S3.01 (DT.09/17/21) SCALE: 1/2" = 1'-0"  
**14 SECTION** REF: S3.01 (DT.09/17/21) SCALE: 1/2" = 1'-0"  
**15 SECTION** REF: S3.01 (DT.09/17/21) SCALE: 1/2" = 1'-0"



Release Number: R2.003 (R 60) BENDING DETAILS

Bar Mark	Qty	Size	Total Length	Type	X	W	Y	Z	V	U	T	S	R	Q	P
3B03	280	#3	12'-7 1/2"	T3	0'-4"										
3B05	90	#3	14'-2 1/2"	T3a	0'-4"										

**COUPLER BAR REINFORCEMENT DETAILS**

BAR MARK	BAR DIA	BAR SHAPE	QUANTITY	REMARK
CB03	#14	14'-3"	12	FOR COLUMN DWEL
CB04	#14	12'-3"	12	FOR COLUMN DWEL

**LAP SCHEDULE**

BAR#	SPLICE LENGTH (INCHES)
#3	12
#4	19
#5	24
#6	29
#7	42
#8	48
#9	54
#10	61
#11	85

**TYPICAL REINFORCING BAR CLEARANCE TABLE**

LOCATION	MIN. COVER
PIER TOP & BOTTOM	3" CLR
PIER SIDES	3" CLR

**TIES & LINKS IN THIS DRAWING**  
 ASTM A615 GRADE 60 BLACK UNCOATED

**PIER VERTICALS & COLUMN DWELS IN THIS DRAWING**  
 ASTM A615 GRADE 80 BLACK UNCOATED

**#6 AND GREATER BAR**  
 ASTM A615 GRADE 60 BLACK UNCOATED

THE PLACING DRAWING IS D'AMBRA'S INTERPRETATION OF THE CONTRACT DRAWINGS. IT IS NOT INTENDED AS A STANDALONE DOCUMENT AND MUST ALWAYS BE USED IN CONJUNCTION WITH THE CONTRACT DRAWINGS.

SHEET TITLE:  
**SECTOR 1**  
**DRILLED PIER & DWEL**

PROJECT:  
 HALL PARK D1

LOCATION:  
 FRISCO, TEXAS

ISS.	BY.	DATE	DESCRIPTION
0	BCS	12/06/21	FOR APPROVAL

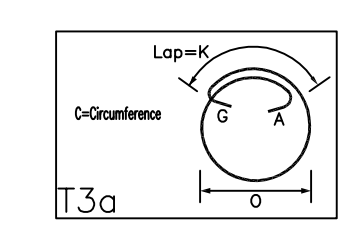
CUSTOMER:  
 AUSTIN COMMERCIAL

ENGINEER:  
 BROCKETTE DAVIS DRAKE, INC.

DETAILER:  
 BCS

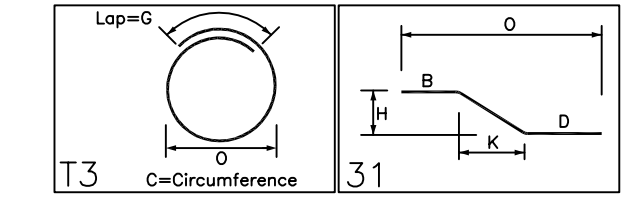
JOB #  
 21-030

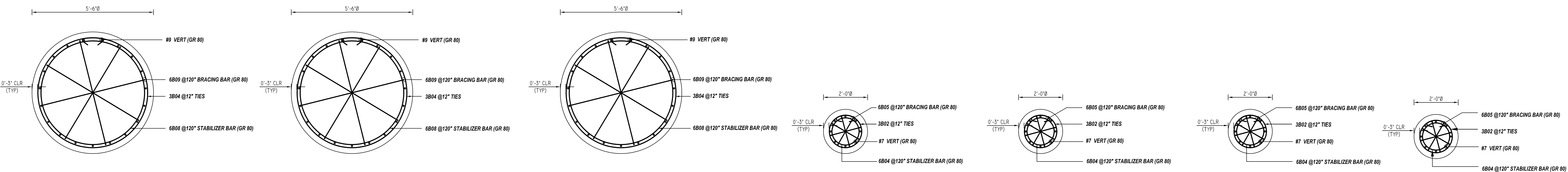
SHEET #  
**R2.003**



Release Number: R2.003 (R 60) BENDING DETAILS

Bar Mark	Qty	Size	Total Length	Type	X	W	Y	Z	V	U	T	S	R	Q	P
6B06	30	#6	11'-10 1/2"	T3											
6B07	96	#6	8'-8 1/2"	T3	2'-0"										
6B10	36	#6	9'-4 1/2"	T3	1'-11 1/2"										
6B11	12	#6	13'-4 1/2"	T3											





**16 SECTION**  
R2.004 REF: S3.01 (DT.09/17/21)  
SCALE: 1/2" = 1'-0"

**17 SECTION**  
R2.004 REF: S3.01 (DT.09/17/21)  
SCALE: 1/2" = 1'-0"

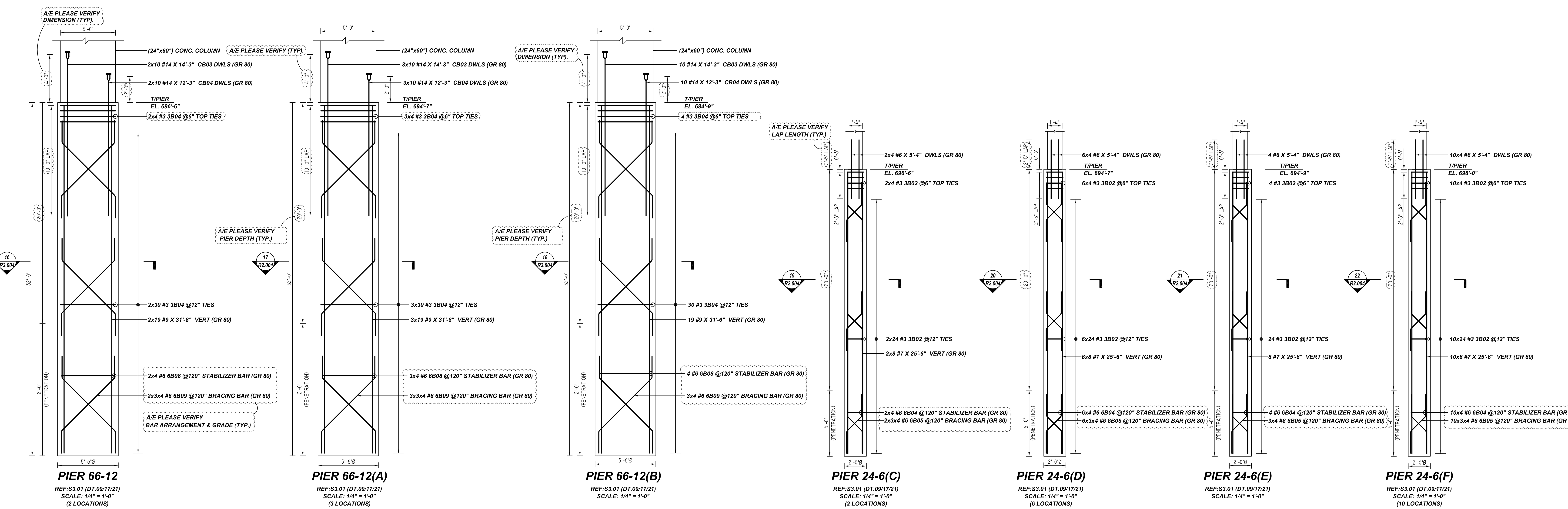
**18 SECTION**  
R2.004 REF: S3.01 (DT.09/17/21)  
SCALE: 1/2" = 1'-0"

**19 SECTION**  
R2.004 REF: S3.01 (DT.09/17/21)  
SCALE: 1/2" = 1'-0"

**20 SECTION**  
R2.004 REF: S3.01 (DT.09/17/21)  
SCALE: 1/2" = 1'-0"

**21 SECTION**  
R2.004 REF: S3.01 (DT.09/17/21)  
SCALE: 1/2" = 1'-0"

**22 SECTION**  
R2.004 REF: S3.01 (DT.09/17/21)  
SCALE: 1/2" = 1'-0"



**PIER 66-12**  
REF: S3.01 (DT.09/17/21)  
SCALE: 1/4" = 1'-0"  
(2 LOCATIONS)

**PIER 66-12(A)**  
REF: S3.01 (DT.09/17/21)  
SCALE: 1/4" = 1'-0"  
(3 LOCATIONS)

**PIER 66-12(B)**  
REF: S3.01 (DT.09/17/21)  
SCALE: 1/4" = 1'-0"  
(3 LOCATIONS)

**PIER 24-6(C)**  
REF: S3.01 (DT.09/17/21)  
SCALE: 1/4" = 1'-0"  
(2 LOCATIONS)

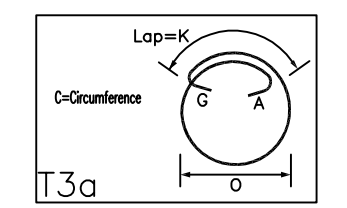
**PIER 24-6(D)**  
REF: S3.01 (DT.09/17/21)  
SCALE: 1/4" = 1'-0"  
(6 LOCATIONS)

**PIER 24-6(E)**  
REF: S3.01 (DT.09/17/21)  
SCALE: 1/4" = 1'-0"  
(6 LOCATIONS)

**PIER 24-6(F)**  
REF: S3.01 (DT.09/17/21)  
SCALE: 1/4" = 1'-0"  
(10 LOCATIONS)

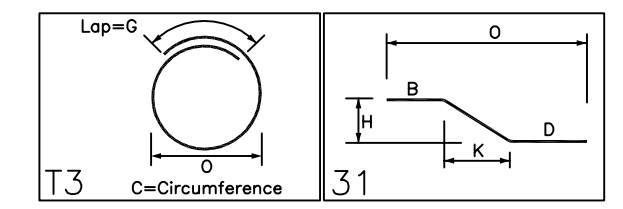
Release Number: R2.004 (GR 80)

Bar Mark	Qty	Size	Total Length	Type	X	Y	Z	U	V	W	X	Y	Z	U	V	W	
3B02	532	#3	6'-4"	13x	0'-4"												
3B04	204	#3	17'-5"	13x	0'-4"												



Release Number: R2.004 (GR 80)

Bar Mark	Qty	Size	Total Length	Type	X	Y	Z	U	V	W	X	Y	Z	U	V	W	
6B04	76	#6	5'-7"	13													
6B05	228	#6	5'-11"	31													
6B08	24	#6	16'-6"	13													
6B09	72	#6	10'-9"	31													



**COUPLER BAR REINFORCEMENT DETAILS**

BAR MARK	BAR DIA	BAR SHAPE	QUANTITY	REMARK
CB03	#14	14'-3"	60	FOR COLUMN DOWEL
CB04	#14	12'-3"	60	FOR COLUMN DOWEL

**LAP SCHEDULE**

BAR#	SPLICE LENGTH (INCHES)
#3	12
#4	19
#5	24
#6	29
#7	42
#8	48
#9	54
#10	61
#11	85

**TYPICAL REINFORCING BAR CLEARANCE TABLE**

LOCATION	MIN. COVER
PIER TOP & BOTTOM	3" CLR
PIER SIDES	3" CLR

**TIES & LINKS IN THIS DRAWING  
ASTM A615 GRADE 60 BLACK UNCOATED**

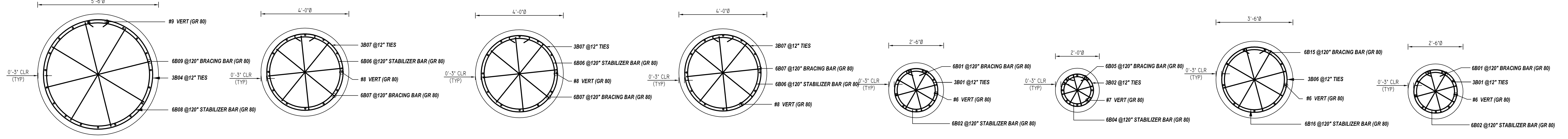
**PIER VERTICALS & COLUMN DOWELS IN THIS DRAWING  
ASTM A615 GRADE 80 BLACK UNCOATED**

**#6 AND GREATER BAR  
ASTM A615 GRADE 60 BLACK UNCOATED**

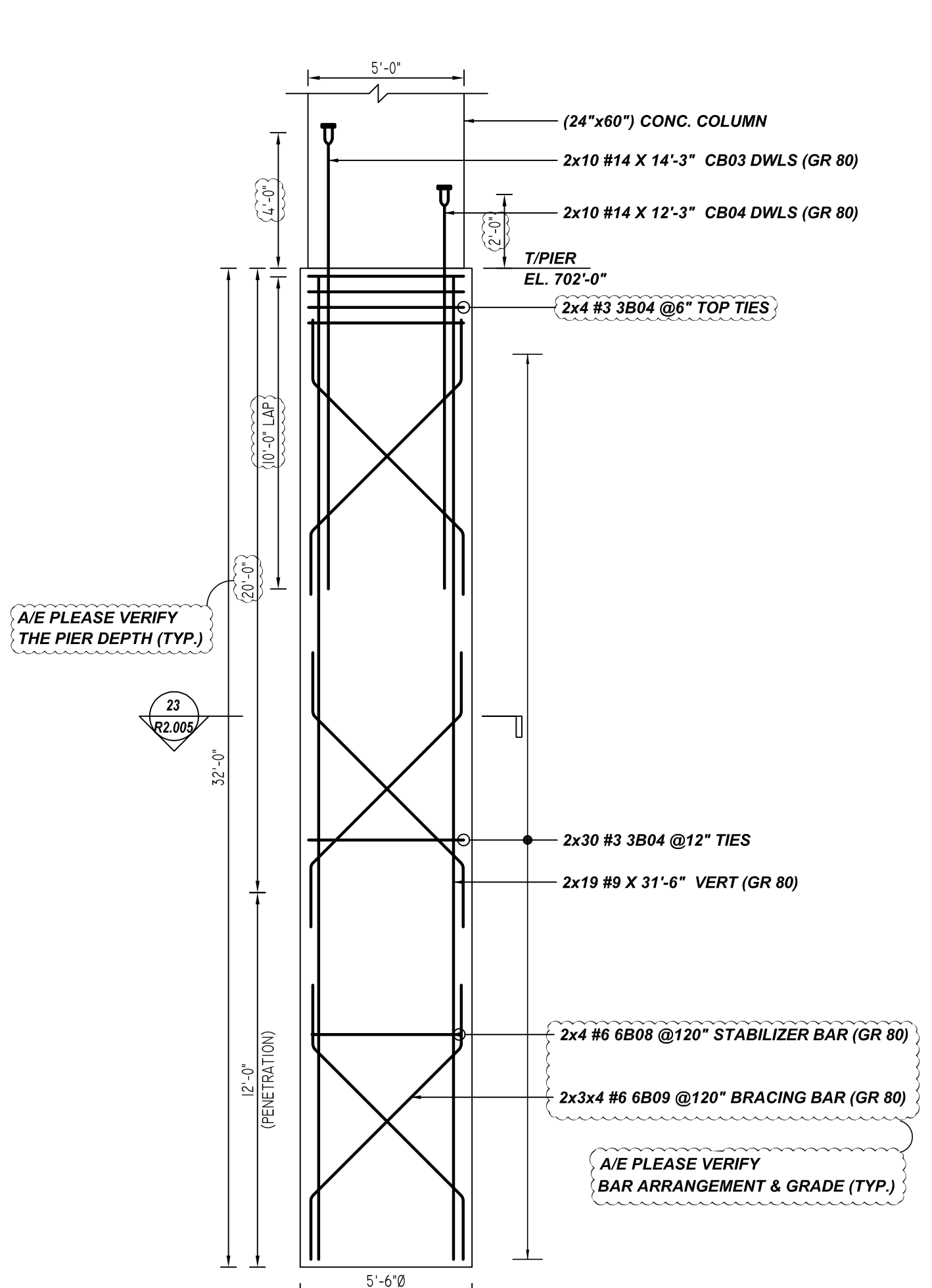
THE PLACING DRAWING IS D'AMBRA'S INTERPRETATION OF THE CONTRACT DRAWINGS. IT IS NOT INTENDED AS A STANDALONE DOCUMENT AND MUST ALWAYS BE USED IN CONJUNCTION WITH THE CONTRACT DRAWINGS.

<b>SHEET TITLE:</b> SECTOR 1 DRILLED PIER & DOWEL			
<b>PROJECT:</b> HALL PARK D1			
<b>LOCATION:</b> FRISCO, TEXAS			
<b>CUSTOMER:</b> AUSTIN COMMERCIAL			
<b>ENGINEER:</b> BROCKETTE DAVIS DRAKE, INC.			
<b>DETAILER:</b> BCS		<b>JOB #</b> 21-030	<b>SHEET #</b> R2.004

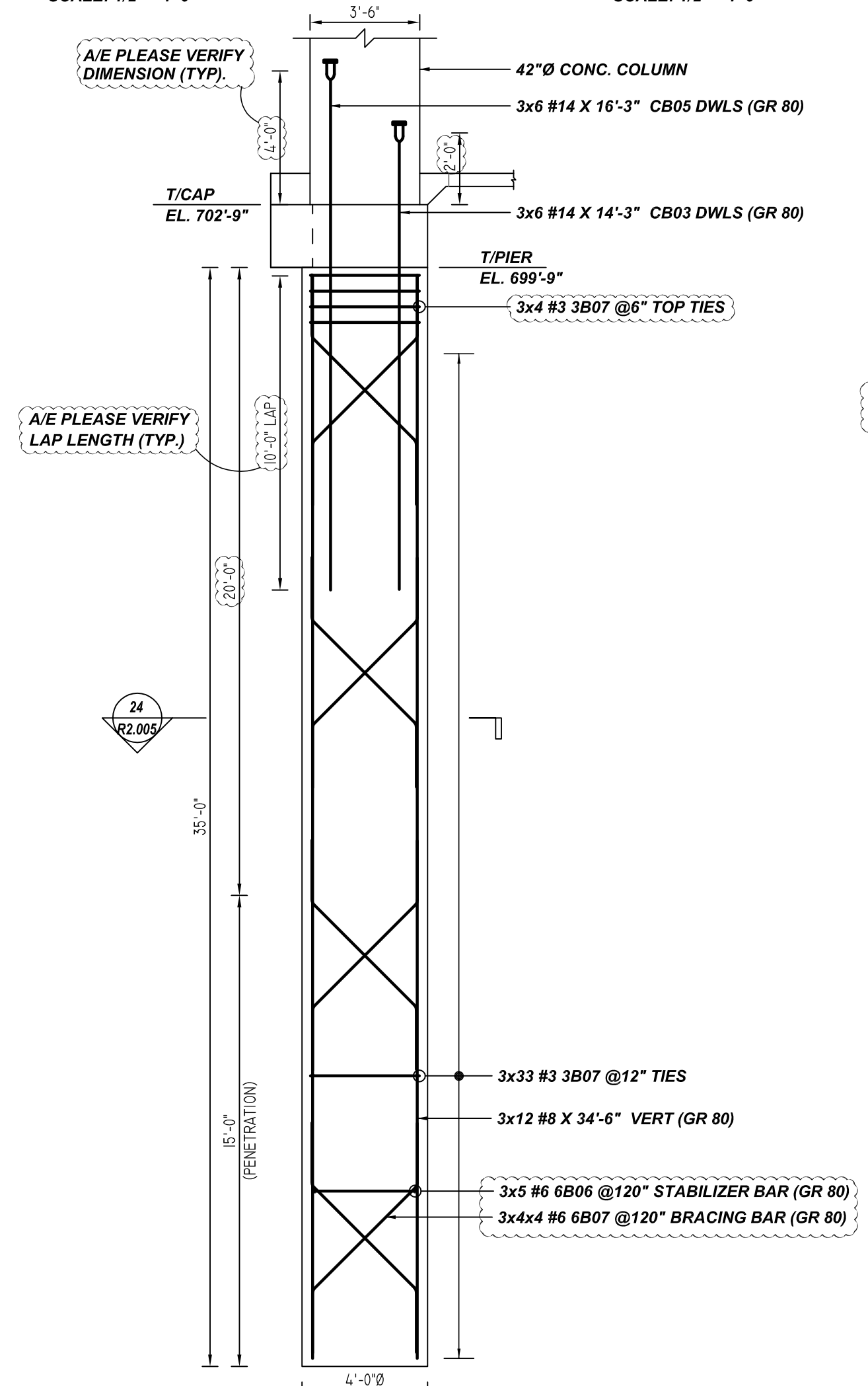
ISS.	BY.	DATE	DESCRIPTION
0	BCS	12/06/21	FOR APPROVAL



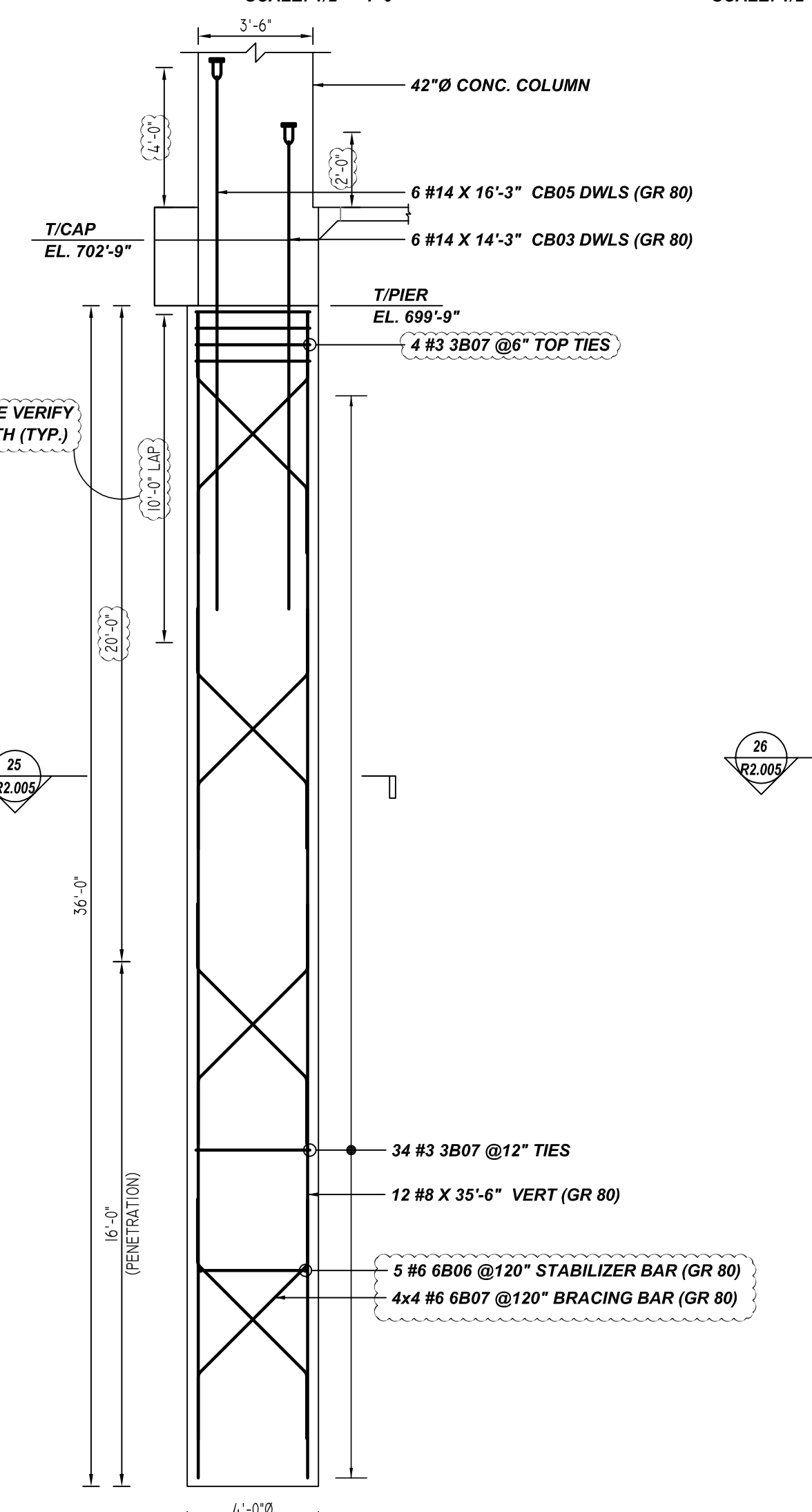
**23 SECTION** REF: S3.01 (DT.09/17/21) SCALE: 1/2" = 1'-0"  
**24 SECTION** REF: S3.01 (DT.09/17/21) SCALE: 1/2" = 1'-0"  
**25 SECTION** REF: S3.01 (DT.09/17/21) SCALE: 1/2" = 1'-0"  
**26 SECTION** REF: S3.01 (DT.09/17/21) SCALE: 1/2" = 1'-0"  
**27 SECTION** REF: S3.01 (DT.09/17/21) SCALE: 1/2" = 1'-0"  
**28 SECTION** REF: S3.01 (DT.09/17/21) SCALE: 1/2" = 1'-0"  
**29 SECTION** REF: S3.01 (DT.09/17/21) SCALE: 1/2" = 1'-0"  
**30 SECTION** REF: S3.01 (DT.09/17/21) SCALE: 1/2" = 1'-0"



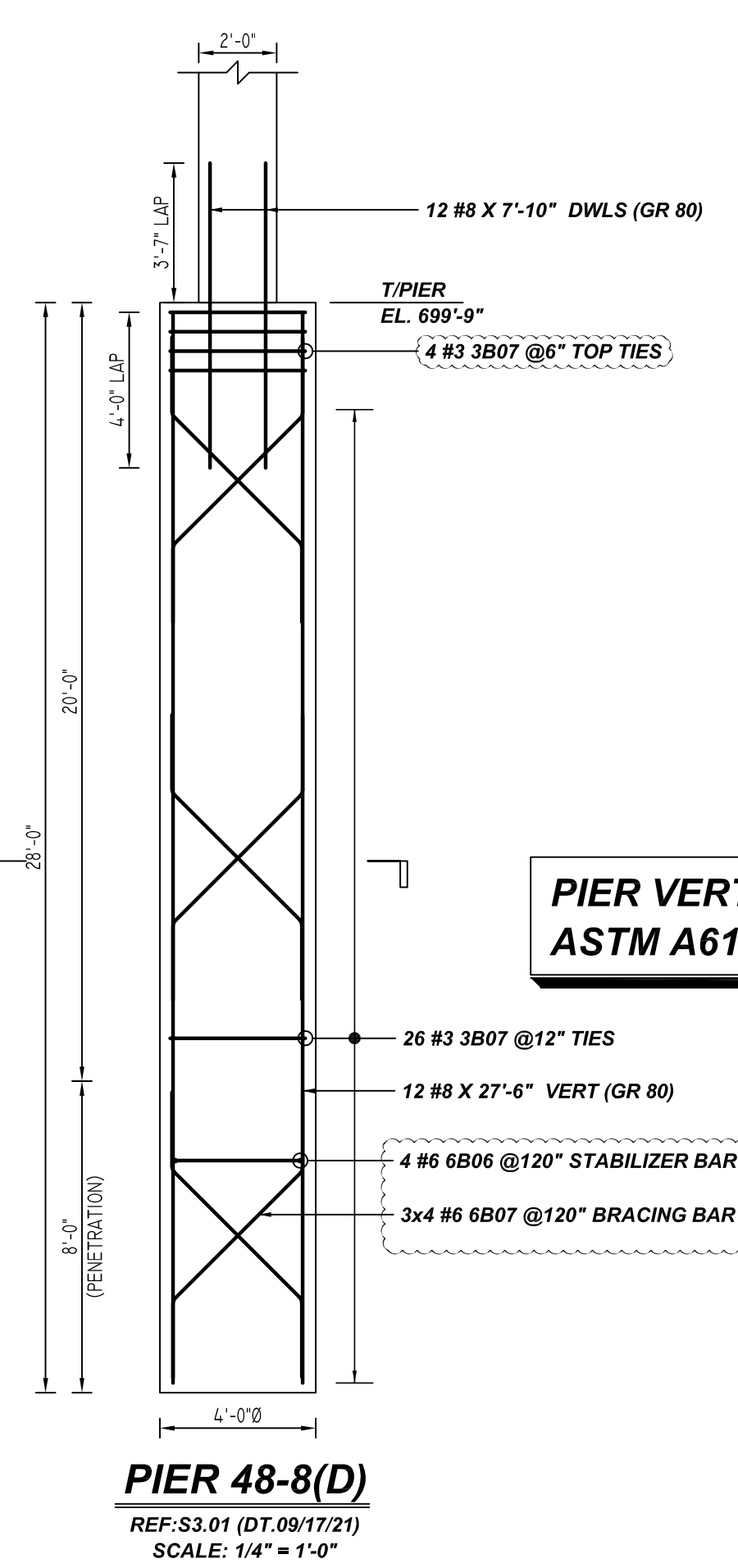
**PIER 66-12(C)**  
 REF: S3.01 (DT.09/17/21)  
 SCALE: 1/4" = 1'-0"  
 (2 LOCATIONS)



**PIER 48-15(C)**  
 REF: S3.01 (DT.09/17/21)  
 SCALE: 1/4" = 1'-0"  
 (3 LOCATIONS)



**PIER 48-16(A)**  
 REF: S3.01 (DT.09/17/21)  
 SCALE: 1/4" = 1'-0"



**PIER 48-8(D)**  
 REF: S3.01 (DT.09/17/21)  
 SCALE: 1/4" = 1'-0"

LOCATION	MIN. COVER
PIER TOP & BOTTOM	3" CLR
PIER SIDES	3" CLR

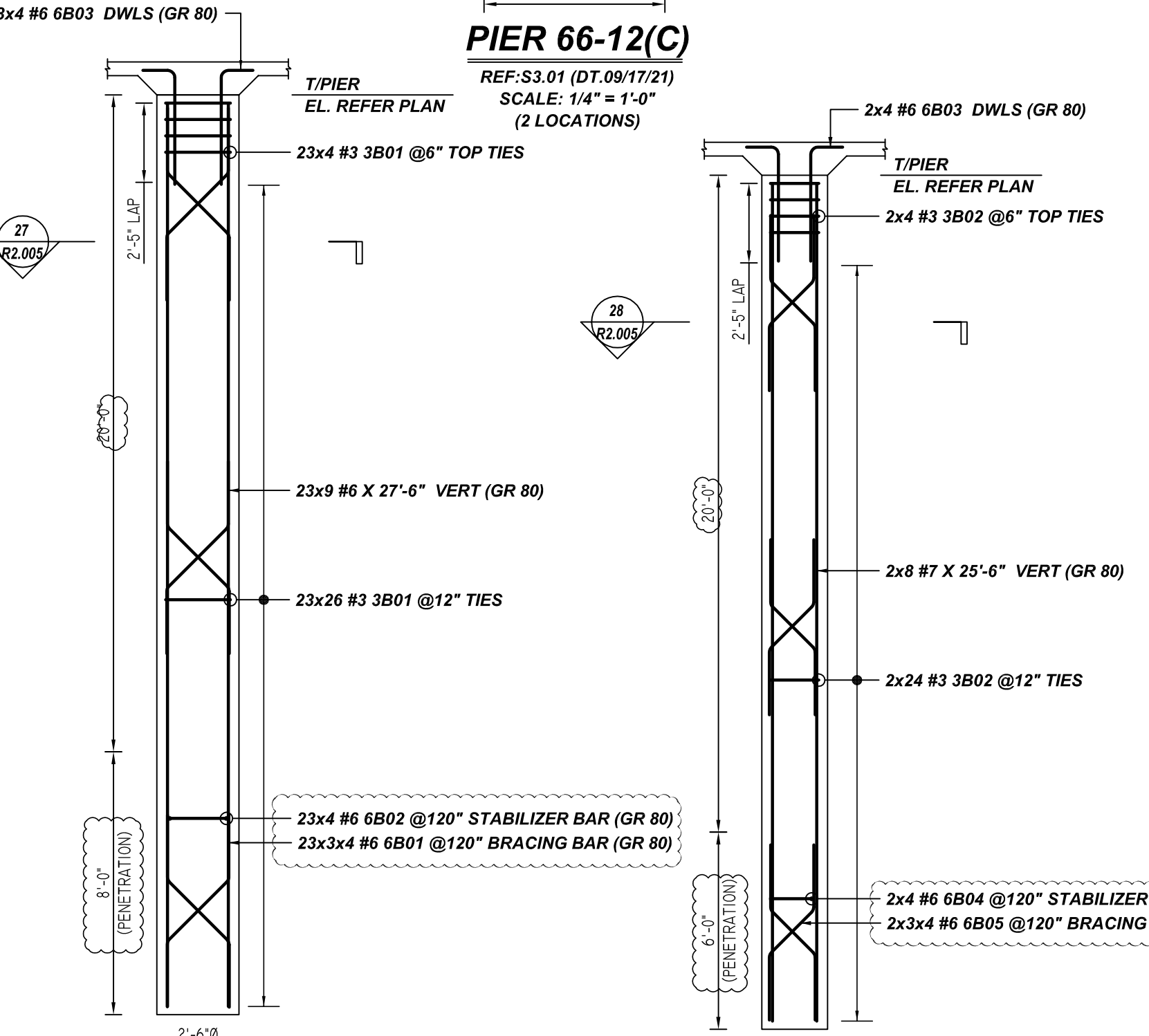
**TIES & LINKS IN THIS DRAWING**  
**ASTM A615 GRADE 60 BLACK UNCOATED**

**#6 AND GREATER BAR**  
**ASTM A615 GRADE 60 BLACK UNCOATED**

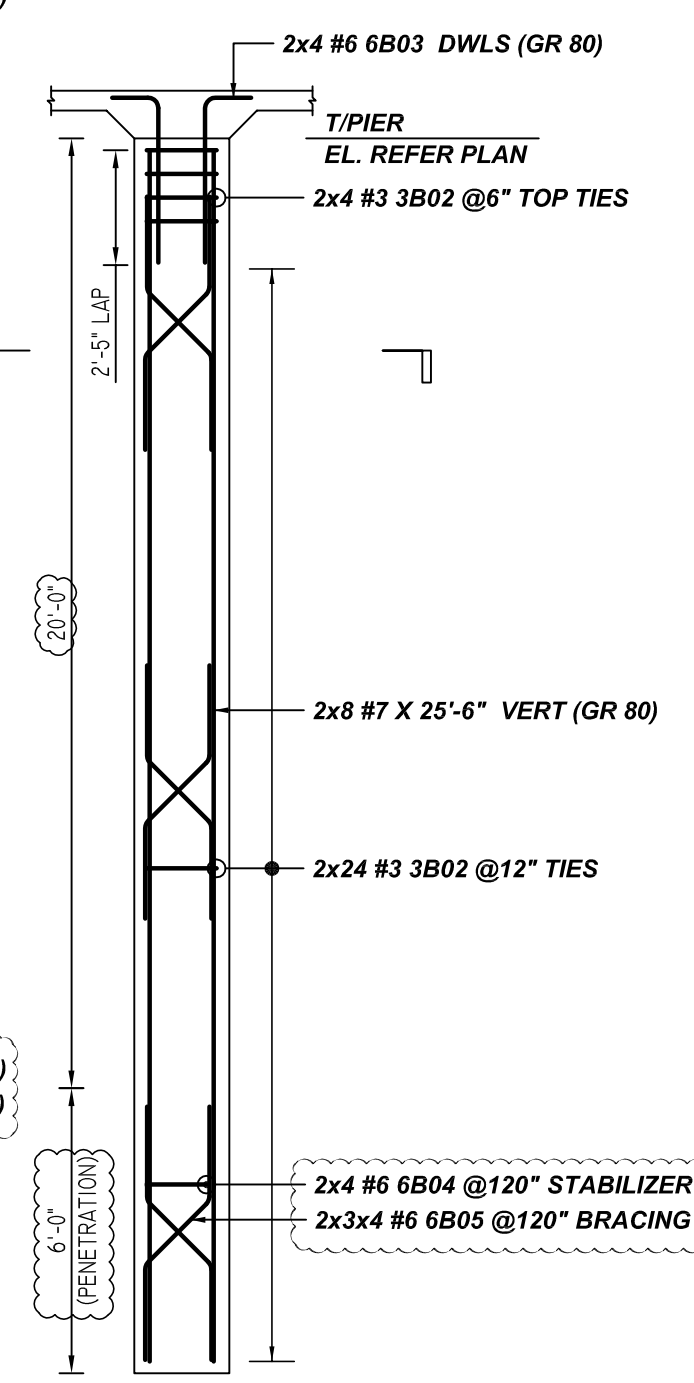
**PIER VERTICALS & COLUMN DOWELS IN THIS DRAWING**  
**ASTM A615 GRADE 80 BLACK UNCOATED**

**LAP SCHEDULE**

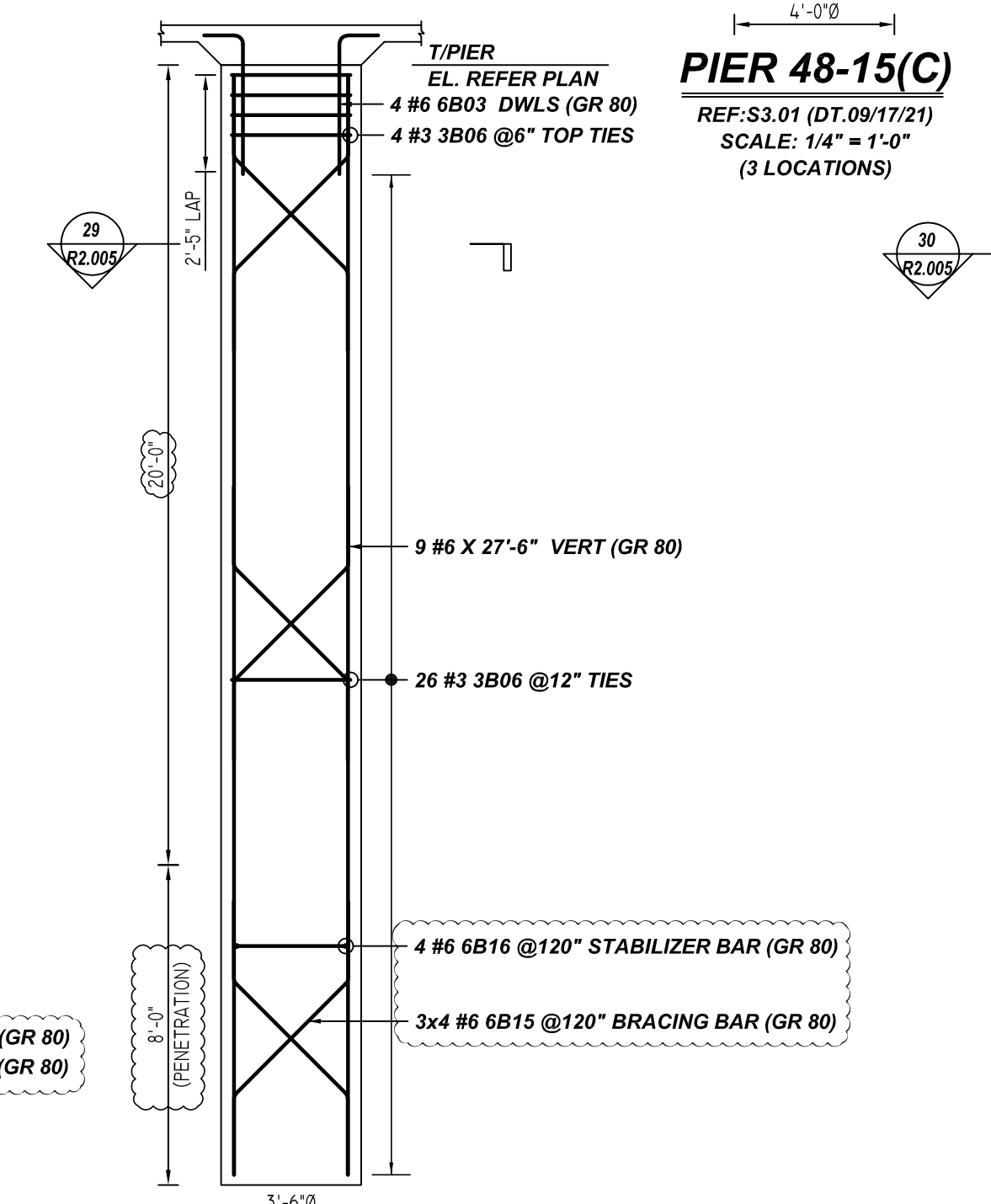
BAR#	SPLICE LENGTH (INCHES)
#3	12
#4	19
#5	24
#6	29
#7	42
#8	48
#9	54
#10	61
#11	85



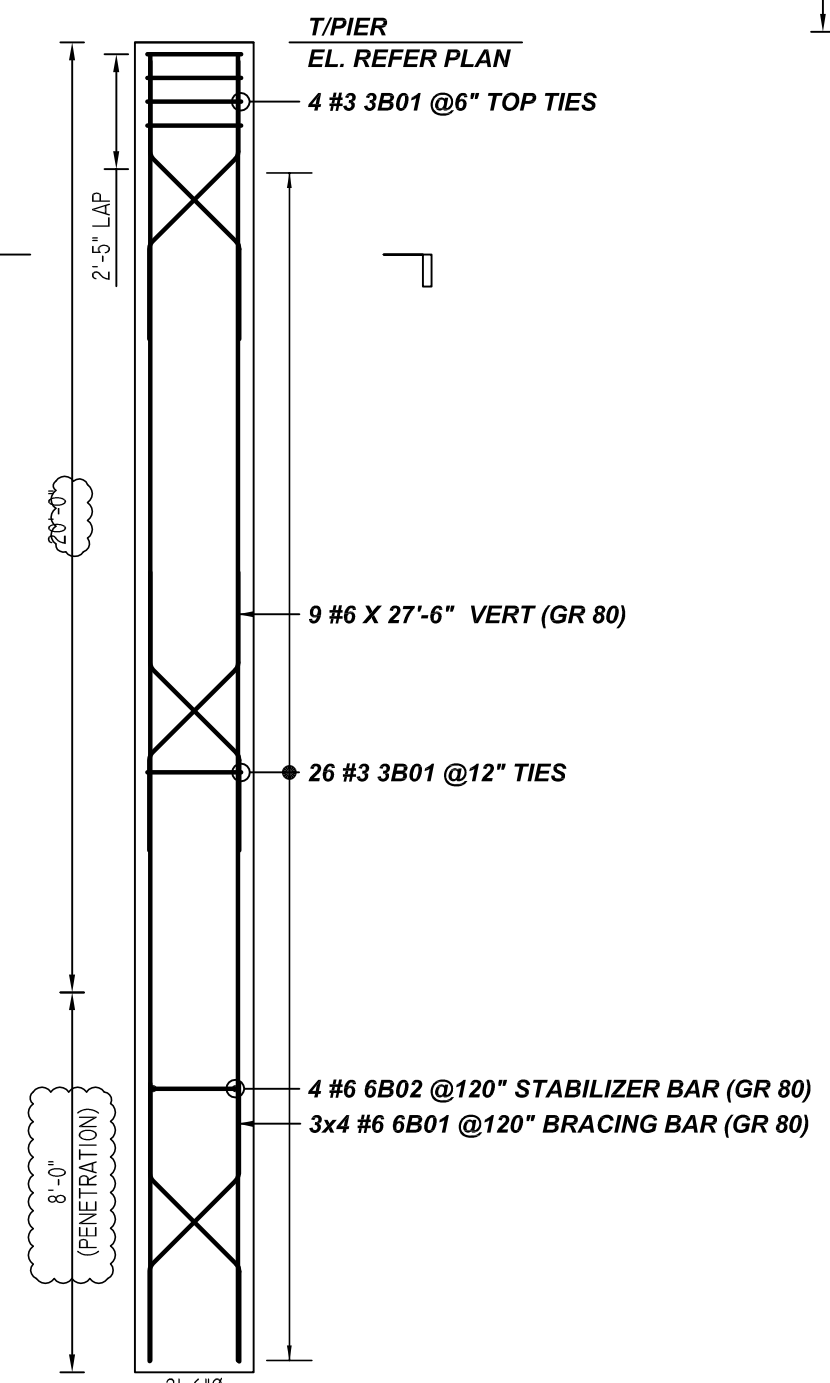
**PIER 30-8**  
 REF: S3.01 (DT.09/17/21)  
 SCALE: 1/4" = 1'-0"  
 (23 LOCATIONS)



**PIER 24-6(G)**  
 REF: S3.01 (DT.09/17/21)  
 SCALE: 1/4" = 1'-0"  
 (2 LOCATIONS)



**PIER 42-8**  
 REF: S3.01 (DT.09/17/21)  
 SCALE: 1/4" = 1'-0"

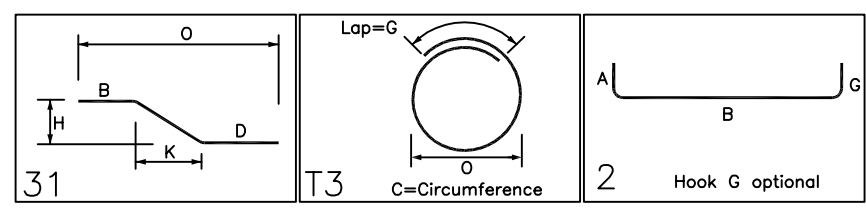


**PIER 30-8(A)**  
 REF: S3.01 (DT.09/17/21)  
 SCALE: 1/4" = 1'-0"

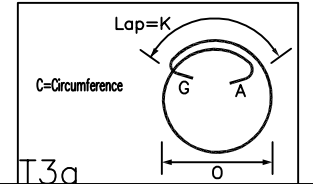
**COUPLER BAR REINFORCEMENT DETAILS**

BAR MARK	BAR DIA	BAR SHAPE	QUANTITY	REMARK
CB03	#14	14'-3"	44	FOR COLUMN DOWEL
CB04	#14	12'-3"	20	FOR COLUMN DOWEL
CB05	#14	16'-3"	24	FOR COLUMN DOWEL

Bar Mark	Qty	Size	Total Length	Type	X	Y	Z	W	V	U	T	S	R	Q	P	O	N	M	L	K	J	I	H	G	F	E	D	C	B	A		
6B01	288	#6	6'-5"	31			2'-0"	2'-5"	2'-0"																							
6B02	96	#6	7'-2"	13			1'-0"	5'-3"																								
6B03	104	#6	4'-6"	2			3'-5"																									
6B04	8	#6	5'-7"	13				4'-9"																								
6B05	24	#6	5'-11"	31			2'-0"	1'-11"	2'-0"																							
6B06	24	#6	11'-10"	13				10'-3"																								
6B07	76	#6	8'-8"	31			2'-0"	4'-8"	2'-0"																							
6B08	4	#6	16'-5"	13				14'-11"																								
6B09	24	#6	10'-9"	31			2'-0"	6'-9"	2'-0"																							
6B15	12	#6	8'-0"	31			2'-0"	4'-9"	2'-0"																							
6B16	4	#6	10'-4"	13				8'-9"																								

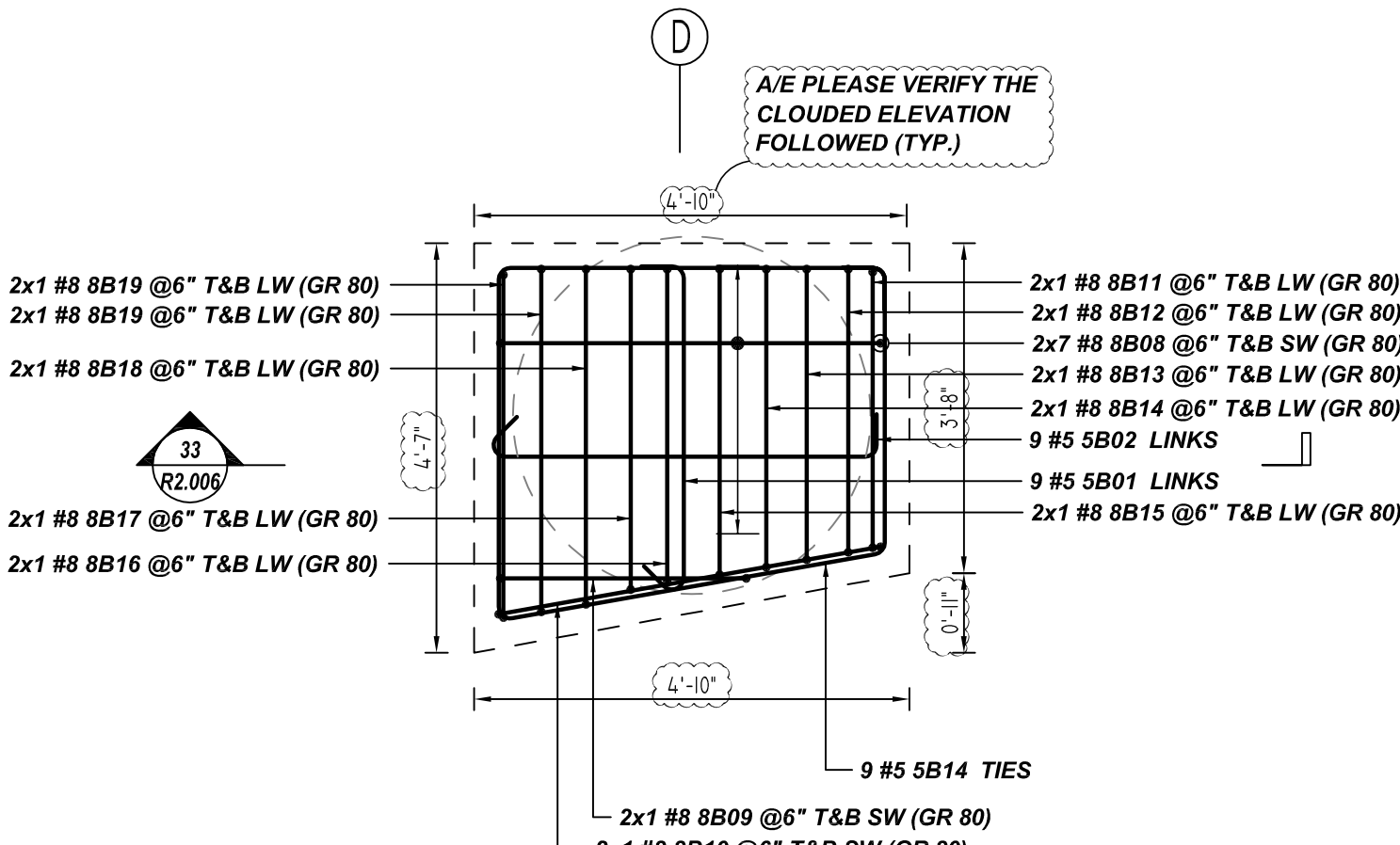
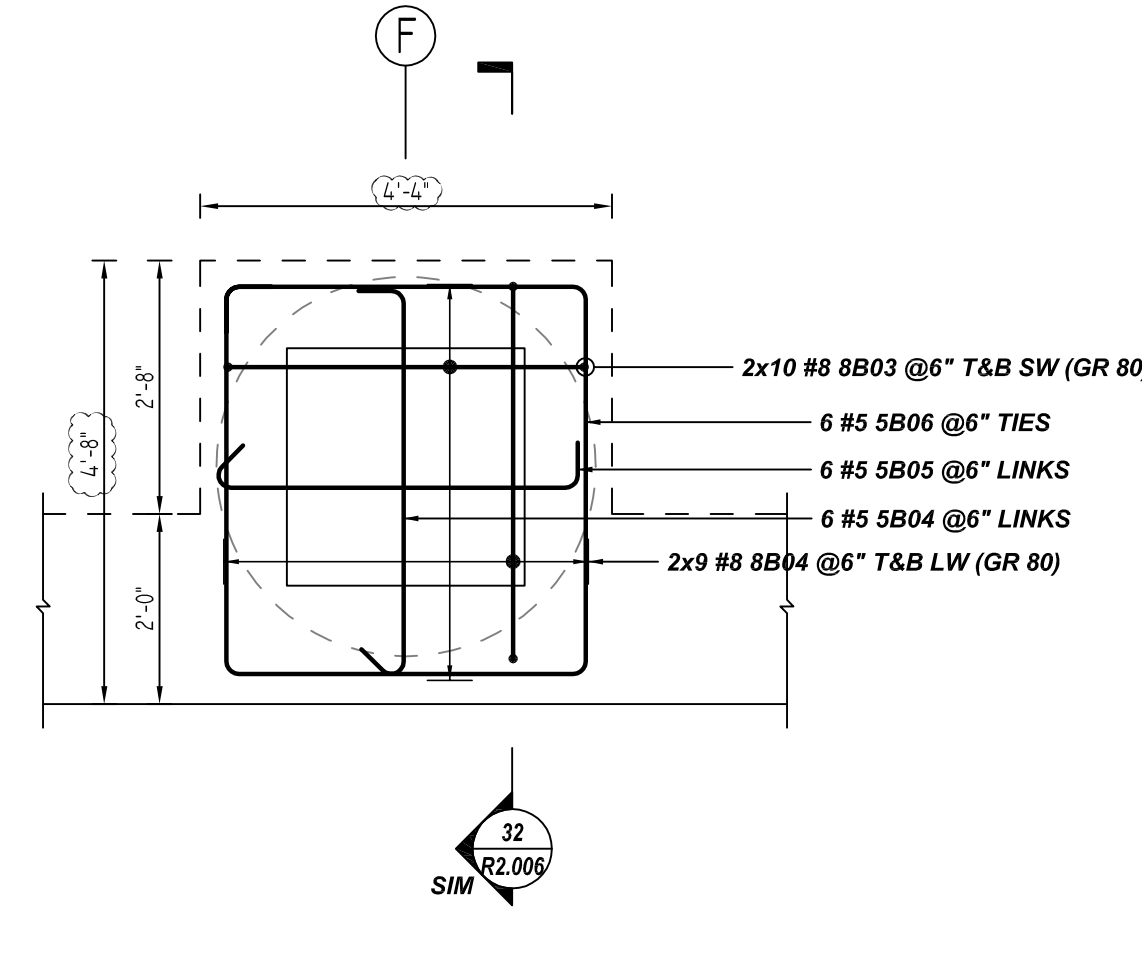
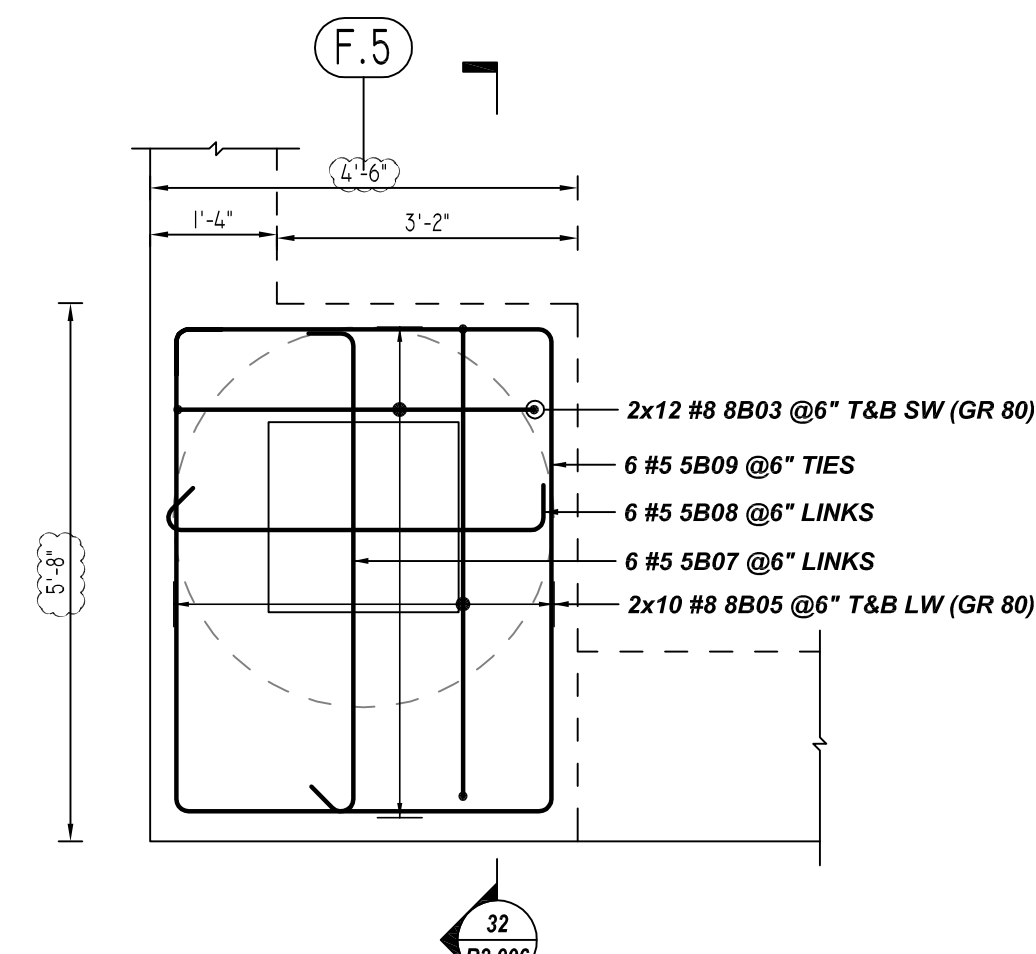
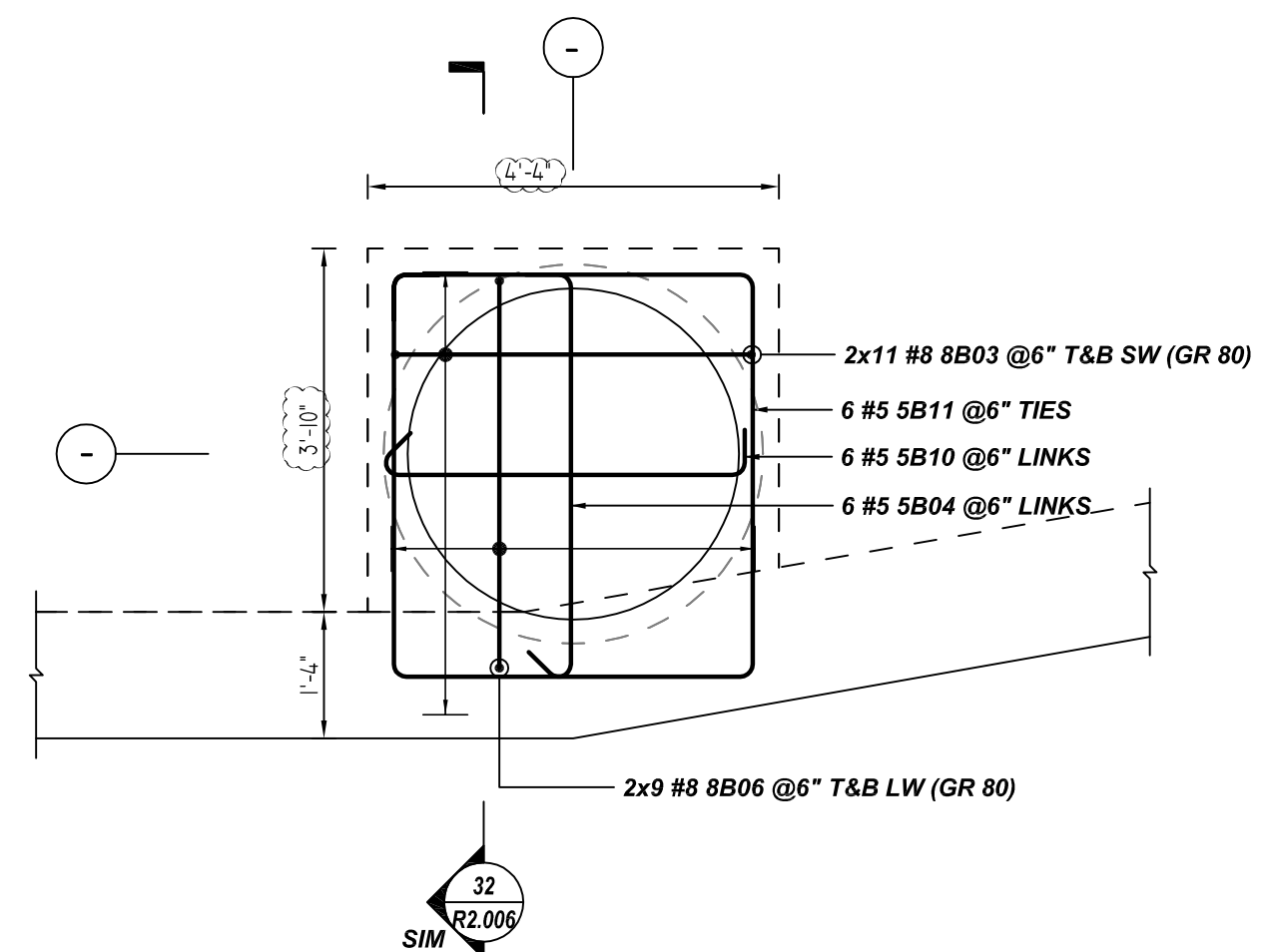
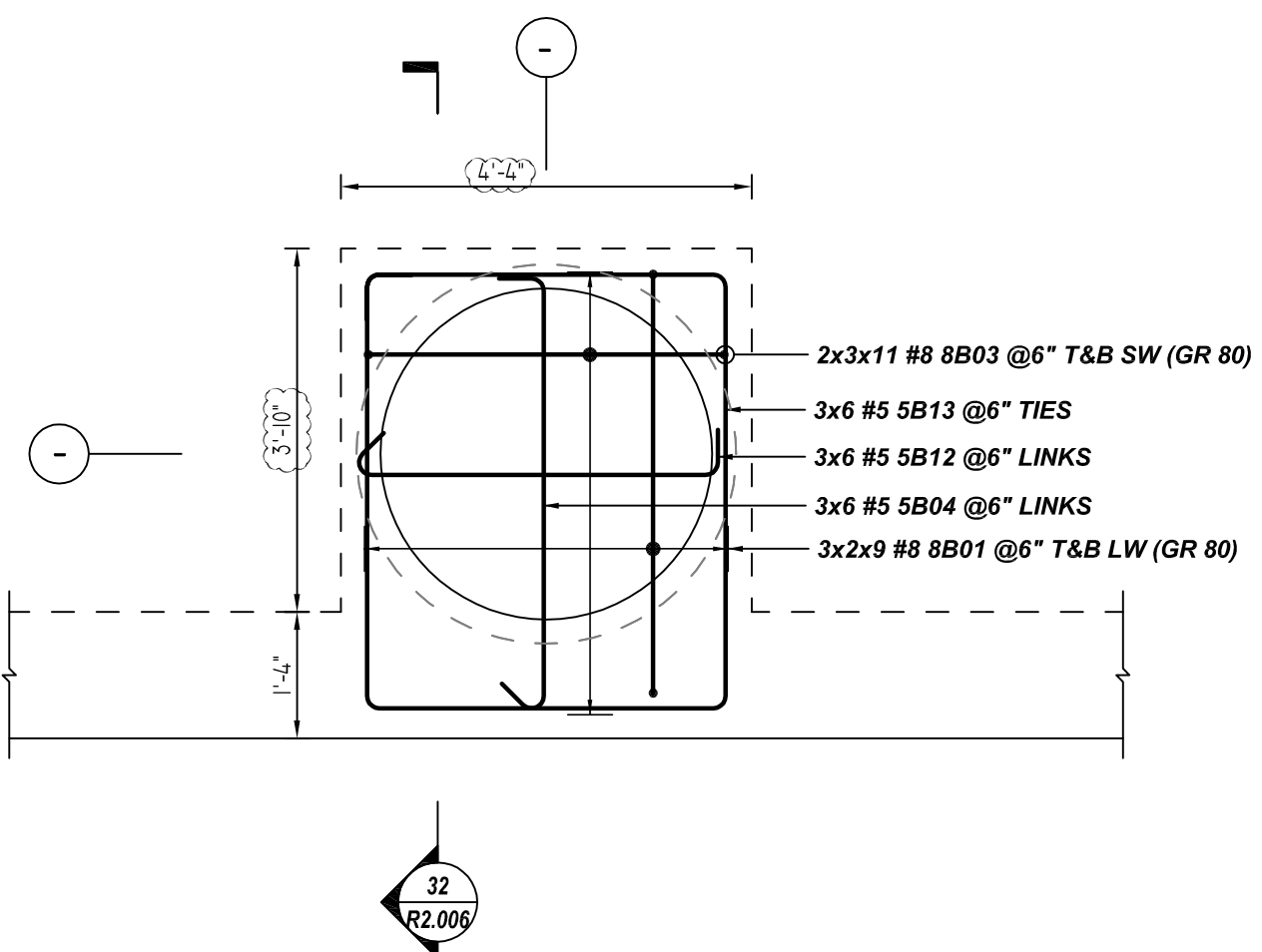
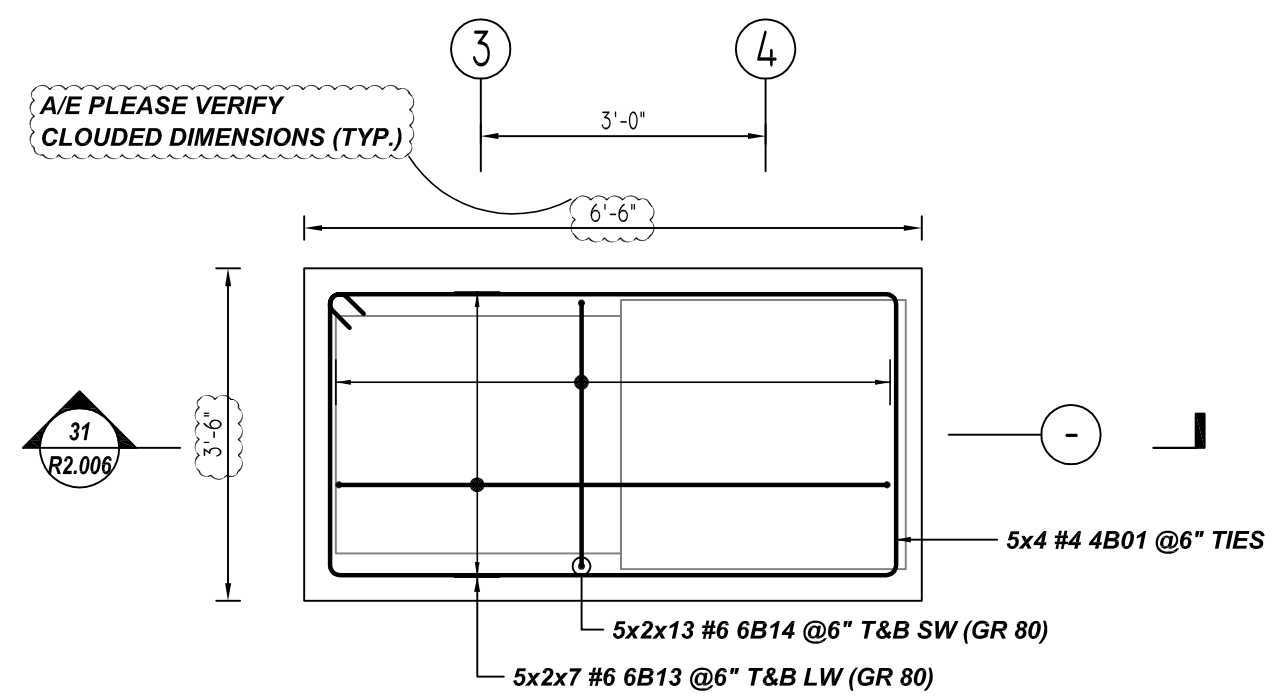


Bar Mark	Qty	Size	Total Length	Type	X	Y	Z	W	V	U	T	S	R	Q	P	O	N	M	L	K	J	I	H	G	F	E	D	C	B	A		
6B01	720	#3	7'-11"	13a	0'-4"			0'-3"																								
3B02	56	#3	6'-4"	13a	0'-4"			4'-8"																								
3B04	68	#3	17'-5"	13a	0'-4"			15'-8"																								
3B06	30	#3	11'-1"	13a	0'-4"			8'-5"																								
3B07	178	#3	12'-8"	13a	0'-4"			10'-11"																								



THE PLACING DRAWING IS D'AMBRA'S INTERPRETATION OF THE CONTRACT DRAWINGS. IT IS NOT INTENDED AS A STANDALONE DOCUMENT AND MUST ALWAYS BE USED IN CONJUNCTION WITH THE CONTRACT DRAWINGS.

ISS.			BY.			DATE			DESCRIPTION		
0			BCS			12/06/21			FOR APPROVAL		
SHEET TITLE: <b>SECTOR 1 DRILLED PIER &amp; DOWEL</b>											
PROJECT: HALL PARK D1											
LOCATION: FRISCO, TEXAS											
CUSTOMER: AUSTIN COMMERCIAL											
ENGINEER: BROCKETTE DAVIS DRAKE, INC.											
DETAILER: BCS			JOB # 21-030			SHEET # R2.005					



Release Number: R2.006 (GR 80)

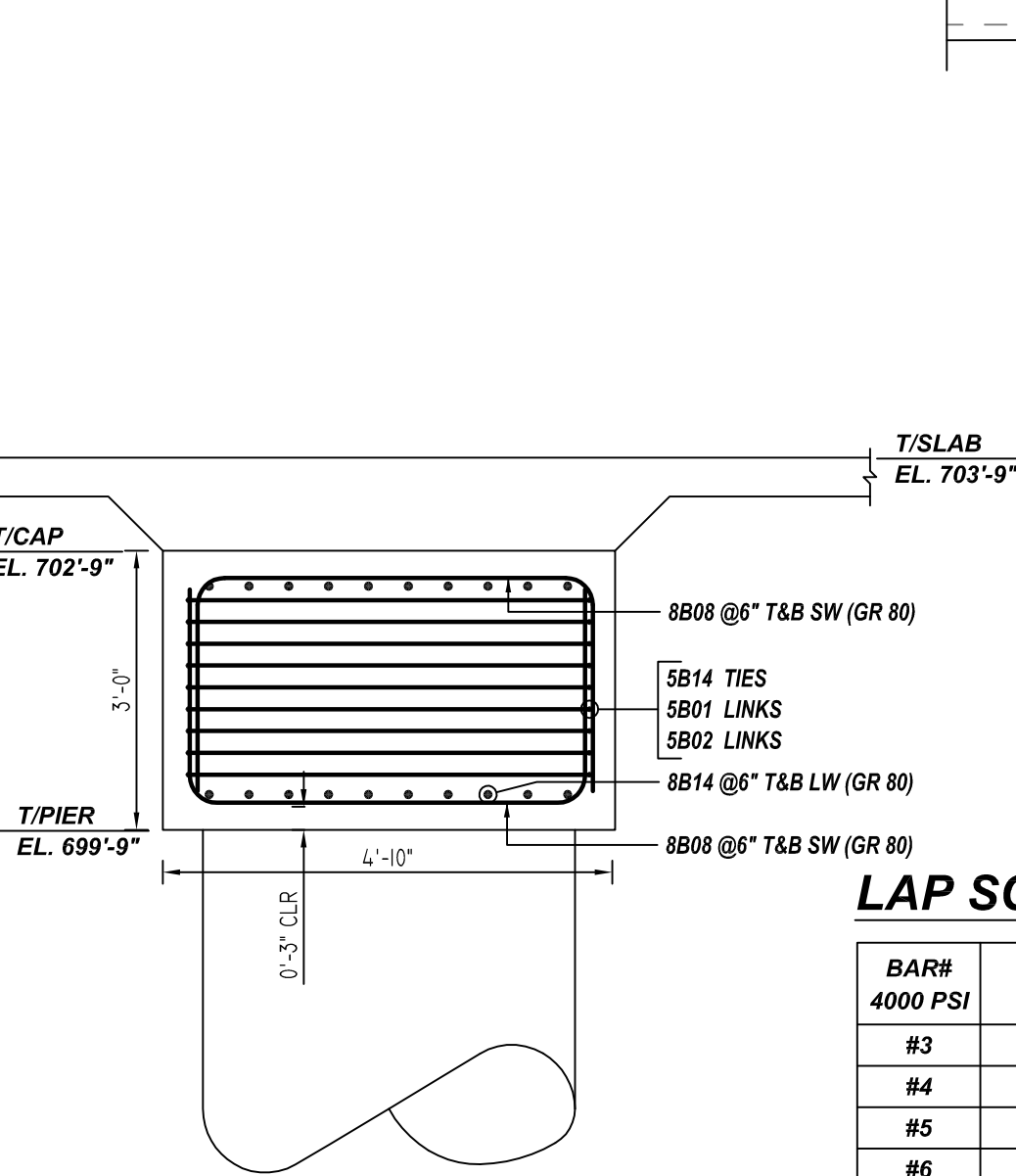
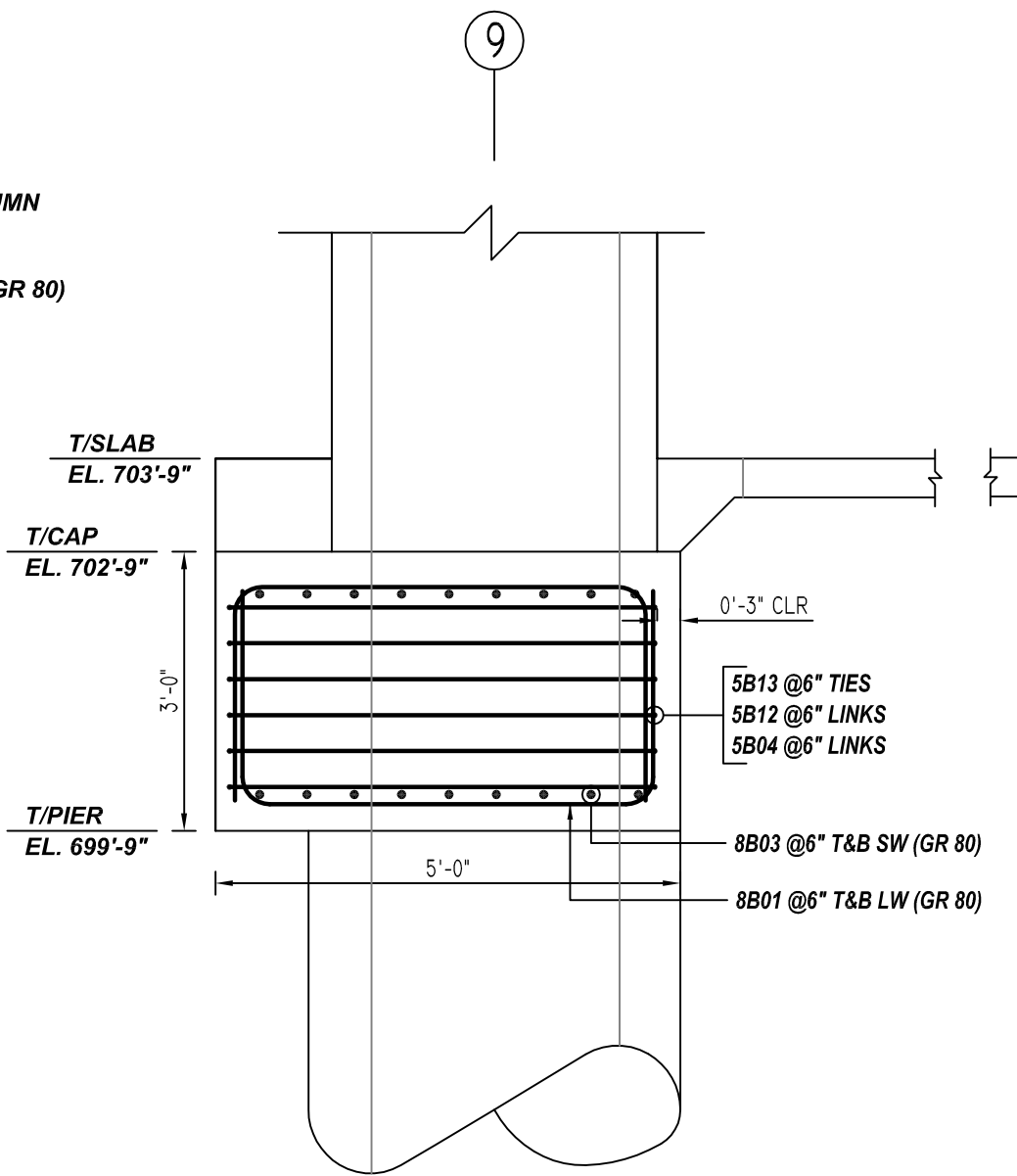
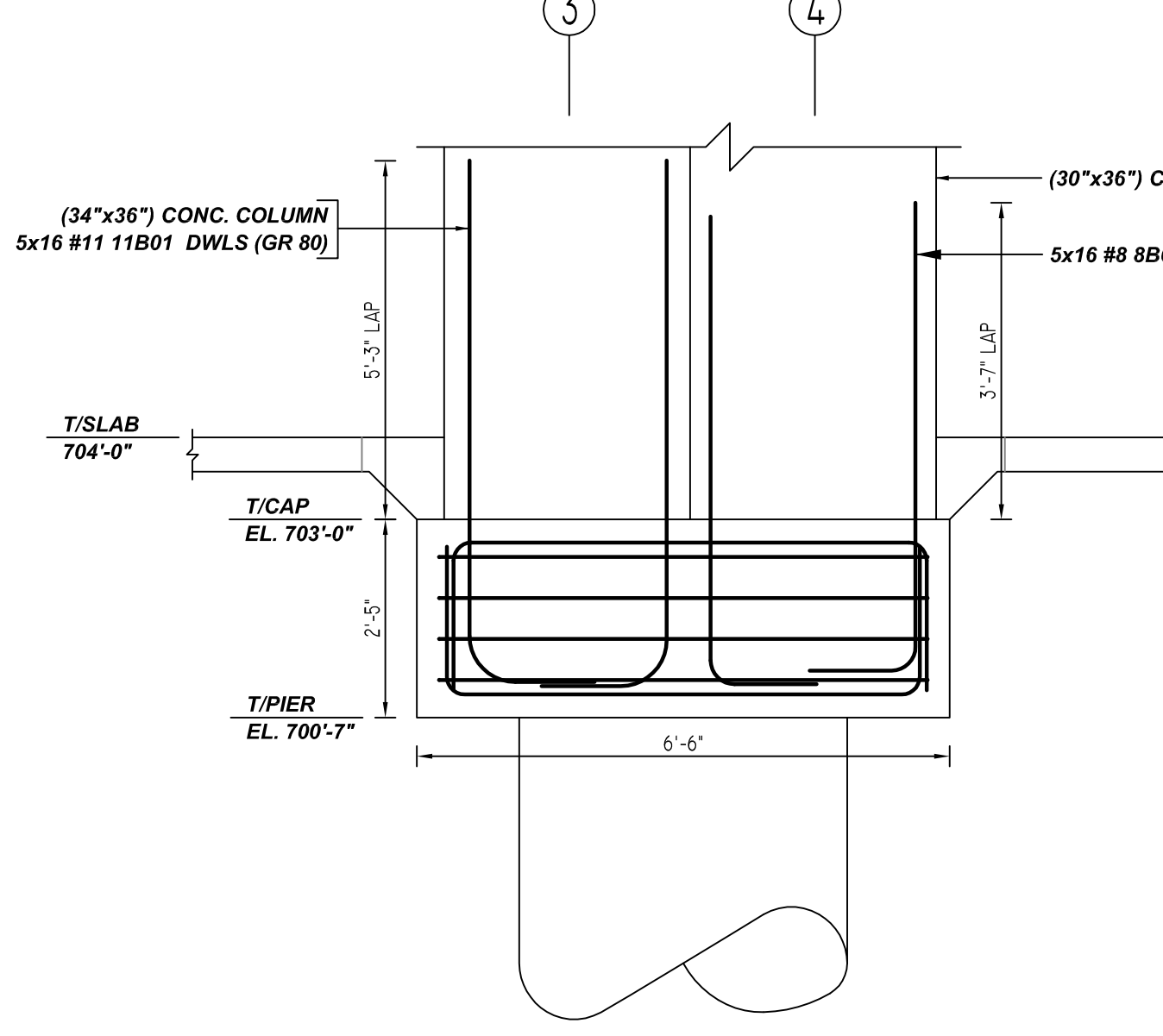
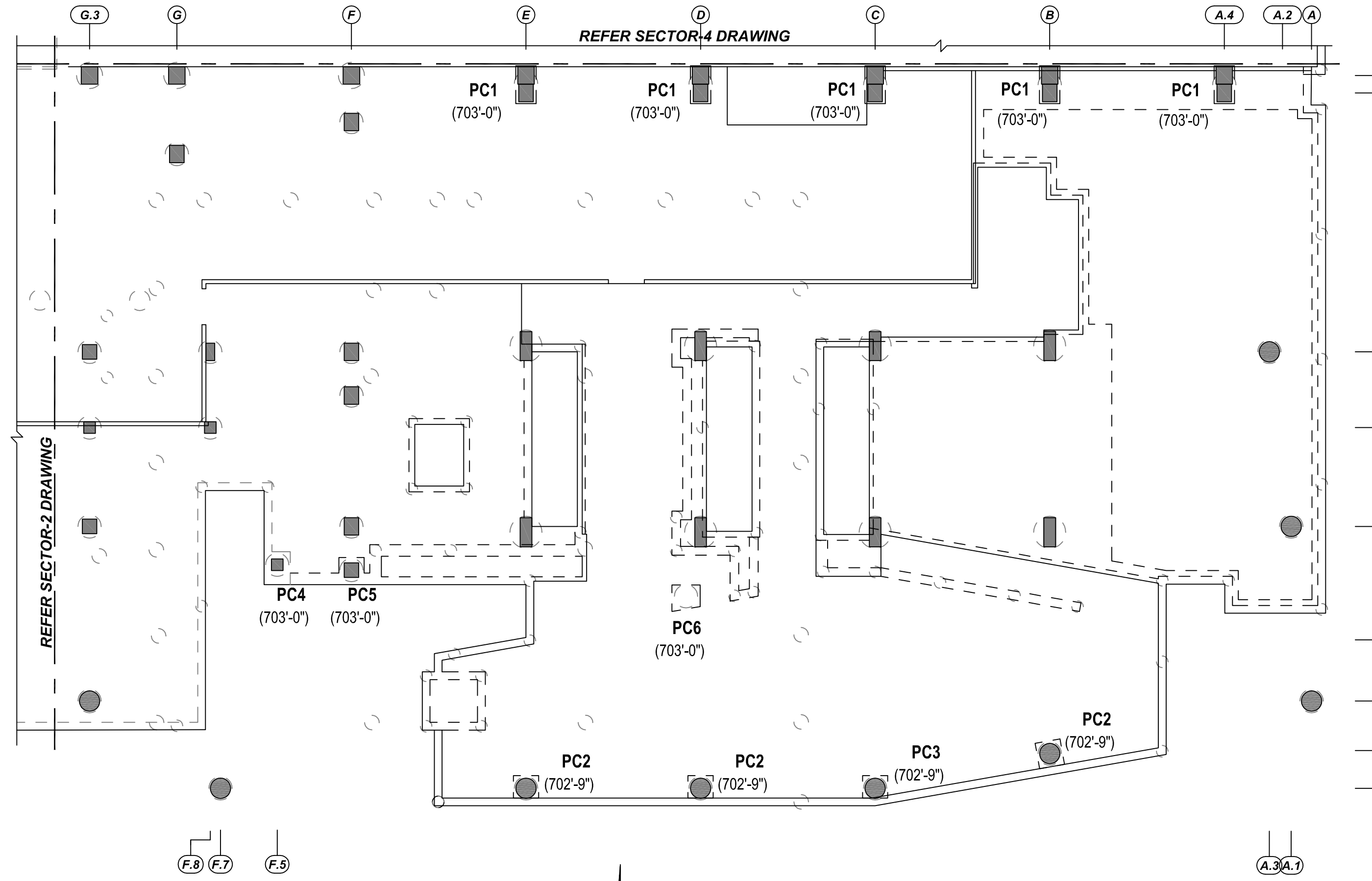
Bar Mark	Qty	Size	Total Length	Type	X	Y	Z	V	T	W	H	W	W	W	W
4B01	20	#4	15'-0"	T1	0'-4"	3'-0"	6'-0"	3'-0"	6'-0"	0'-4"					
5B01	9	#5	5'-3 1/2"	T9	0'-5 1/2"	4'-4"				0'-5 1/2"					
5B02	9	#5	4'-7 1/2"	T9	0'-5 1/2"	3'-8"				0'-5 1/2"					
5B04	30	#5	4'-9 1/2"	T9	0'-5 1/2"	3'-10"				0'-5 1/2"					
5B05	6	#5	5'-0 1/2"	T9	0'-5 1/2"	4'-1 1/2"				0'-5 1/2"					
5B06	6	#5	15'-11 1/2"	T2	0'-6"	4'-1 1/2"	3'-10"	4'-1 1/2"	3'-10"	0'-6"					
5B07	6	#5	4'-11 1/2"	T9	0'-5 1/2"	4'-0"				0'-5 1/2"					
5B08	6	#5	6'-0 1/2"	T9	0'-5 1/2"	5'-1 1/2"				0'-5 1/2"					
5B09	6	#5	19'-5 1/2"	T2	0'-6"	5'-1 1/2"	4'-0"	5'-1 1/2"	4'-0"	0'-6"					
5B10	6	#5	5'-5 1/2"	T9	0'-5 1/2"	4'-3 1/2"				0'-5 1/2"					
5B11	6	#5	17'-5 1/2"	T2	0'-6"	4'-3 1/2"	3'-10"	4'-3 1/2"	3'-10"	0'-6"					
5B12	18	#5	5'-4 1/2"	T9	0'-5 1/2"	4'-7"				0'-5 1/2"					
5B13	18	#5	17'-11 1/2"	T2	0'-6"	4'-7 1/2"	3'-10"	4'-7 1/2"	3'-10"	0'-6"					

BENDING DETAILS  
 T1 Hooks A & G optional  
 T9  
 T2 Hooks A & G optional

Release Number: R2.006 (GR 80)

Bar Mark	Qty	Size	Total Length	Type	X	Y	Z	V	T	W	H	W	W	W	W
8B13	70	#8	9'-5"	T9	1'-10"	5'-10"	1'-10"								
8B14	130	#8	8'-5"	T9	1'-10"	2'-10"	1'-10"								
8B01	54	#8	9'-2"	T9	2'-4"	4'-4"	2'-4"								
8B03	132	#8	8'-8"	T9	2'-4"	3'-10"	2'-4"								
8B04	18	#8	8'-8"	T9	2'-4"	4'-0"	2'-4"								
8B05	20	#8	9'-8"	T9	2'-4"	5'-0"	2'-4"								
8B06	18	#8	8'-10"	T9	2'-4"	4'-2"	2'-4"								
8B07	80	#8	7'-1 1/2"	T2	1'-4"	5'-2"	1'-4"								
8B08	14	#8	9'-0"	T9	2'-4"	4'-4"	2'-4"								
8B09	2	#8	7'-4"	T9	2'-4"	2'-10"	2'-4"								
8B10	2	#8	9'-1"	T9	2'-4"	4'-5"	2'-4"								
8B11	2	#8	7'-10"	T9	2'-4"	3'-2"	2'-4"								
8B12	2	#8	7'-11"	T9	2'-4"	3'-5"	2'-4"								
8B13	2	#8	8'-0"	T9	2'-4"	3'-4"	2'-4"								
8B14	2	#8	8'-1"	T9	2'-4"	3'-5"	2'-4"								
8B15	2	#8	8'-2"	T9	2'-4"	3'-6"	2'-4"								
8B16	2	#8	8'-5"	T9	2'-4"	3'-7"	2'-4"								
8B17	2	#8	8'-4"	T9	2'-4"	3'-8"	2'-4"								
8B18	2	#8	8'-5"	T9	2'-4"	3'-10"	2'-4"								
8B19	4	#8	8'-7"	T9	2'-4"	3'-11"	2'-4"								
11B01	80	#11	9'-5 1/2"	T2	2'-0"	7'-5 1/2"									

BENDING DETAILS  
 17  
 2 Hook G optional



**LAP SCHEDULE**

BAR#	SPLICE LENGTH (INCHES)
#3	12
#4	19
#5	24
#6	29
#7	42
#8	48
#9	54
#10	61
#11	85

TYPICAL REINFORCING BAR CLEARANCE TABLE

LOCATION	MIN. COVER
PIER CAP SIDES	3" CLR
PIER TOP & BOTTOM	3" CLR

A/E PLEASE VERIFY.

**TIES & LINKS IN THIS DRAWING**  
 ASTM A615 GRADE 60 BLACK UNCOATED

**PIER VERTICALS & COLUMN DOWELS IN THIS DRAWING**  
 ASTM A615 GRADE 80 BLACK UNCOATED

THE PLACING DRAWING IS D'AMBRA'S INTERPRETATION OF THE CONTRACT DRAWINGS. IT IS NOT INTENDED AS A STANDALONE DOCUMENT AND MUST ALWAYS BE USED IN CONJUNCTION WITH THE CONTRACT DRAWINGS.

SHEET TITLE: <b>SECTOR 1 PIER CAP DETAILS</b>				PROJECT: HALL PARK D1	LOCATION: FRISCO, TEXAS
ISS. BY: DATE DESCRIPTION				CUSTOMER: AUSTIN COMMERCIAL	ENGINEER: BROCKETTE DAVIS DRAKE, INC.
0	BCS	12/06/21	FOR APPROVAL	DETAILER: BCS	JOB # 21-030
					SHEET # R2.006