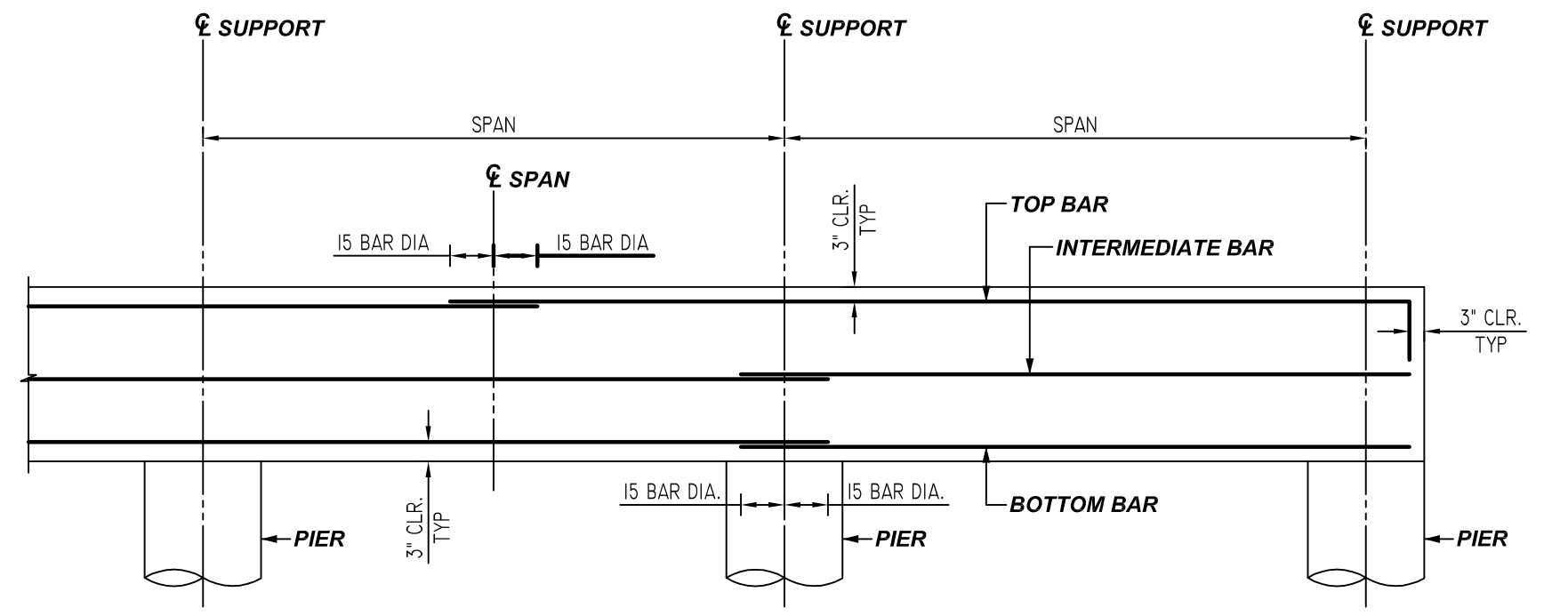
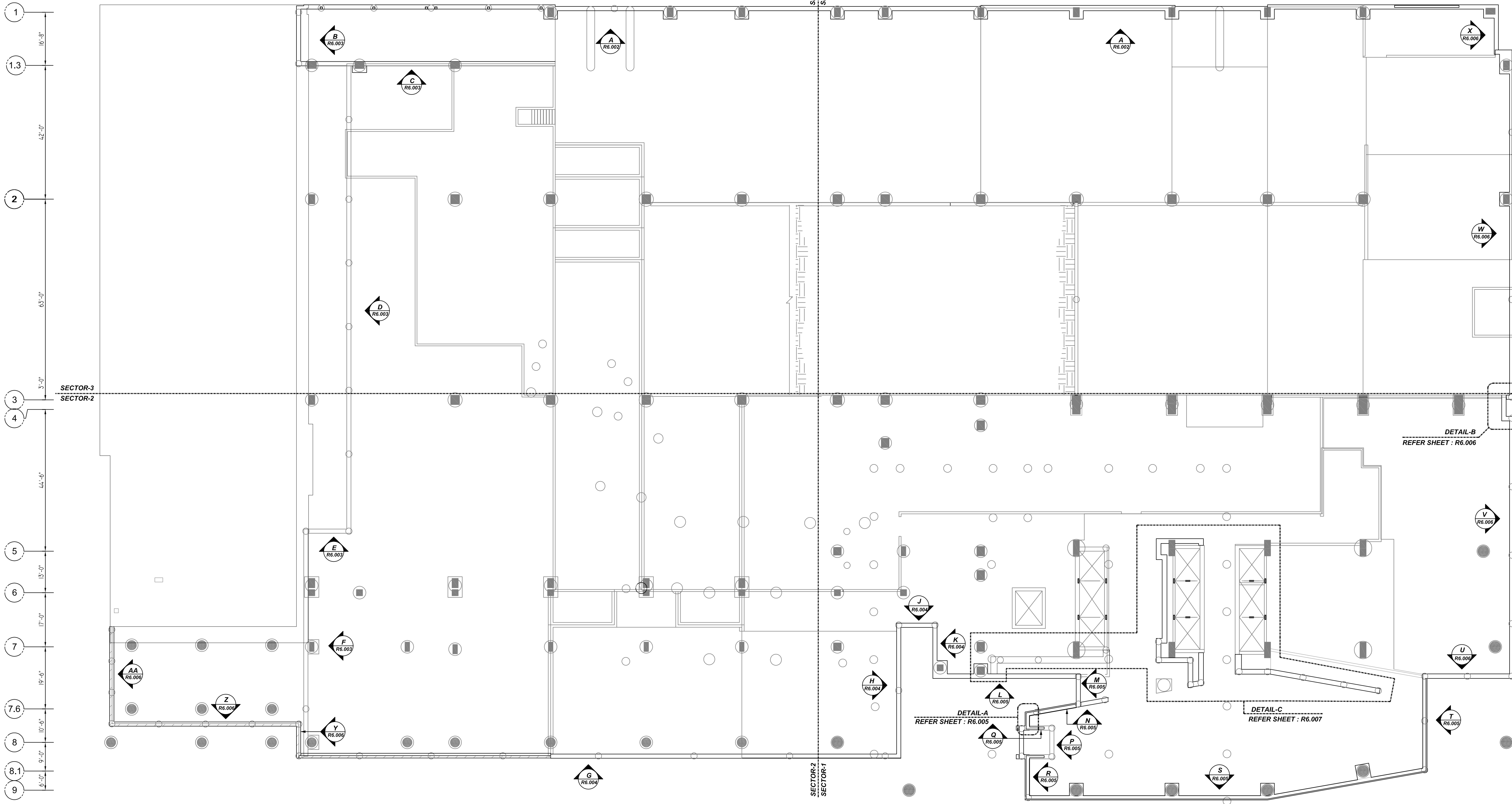


HA HB HC HD HE HF HG M L.7 L.3 L K G.3 G F E D C B A.4 A.2 A



TYPICAL GRADE BEAM DETAILS
 REF: S3.01 (DT.11/19/21)
 SCALE: 1/4" = 1'-0"

GRADE BEAM KEY PLAN
 REF: S2.011 TO S2.014 (DT.11/19/21)
 SCALE: 1/16" = 1'-0"

TYPICAL REINFORCING BAR CLEARANCE TABLE

LOCATION	MIN. COVER
GRADE BEAM TOP (EXTERIOR)	2" CLR
GRADE BEAM TOP (INTERIOR)	3" CLR
GRADE BEAM BOTTOM & SIDES	3" CLR

#6 AND GREATER BAR
 ASTM A615 GRADE 80 BLACK UNCOATED

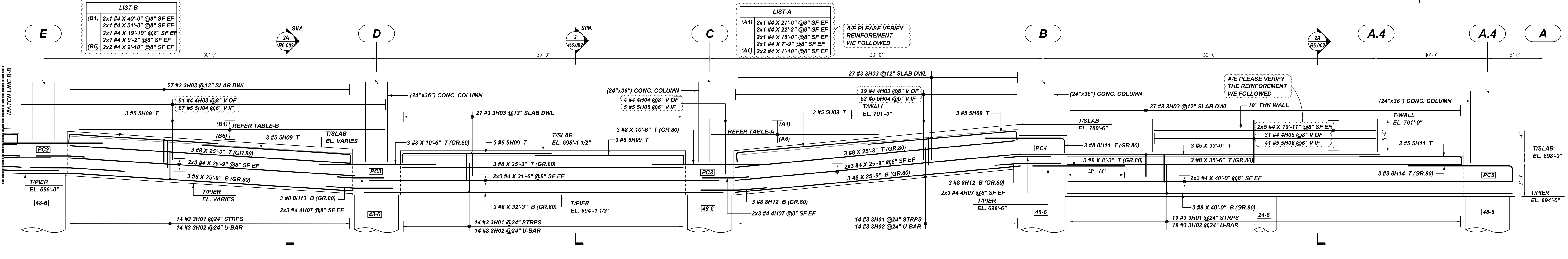
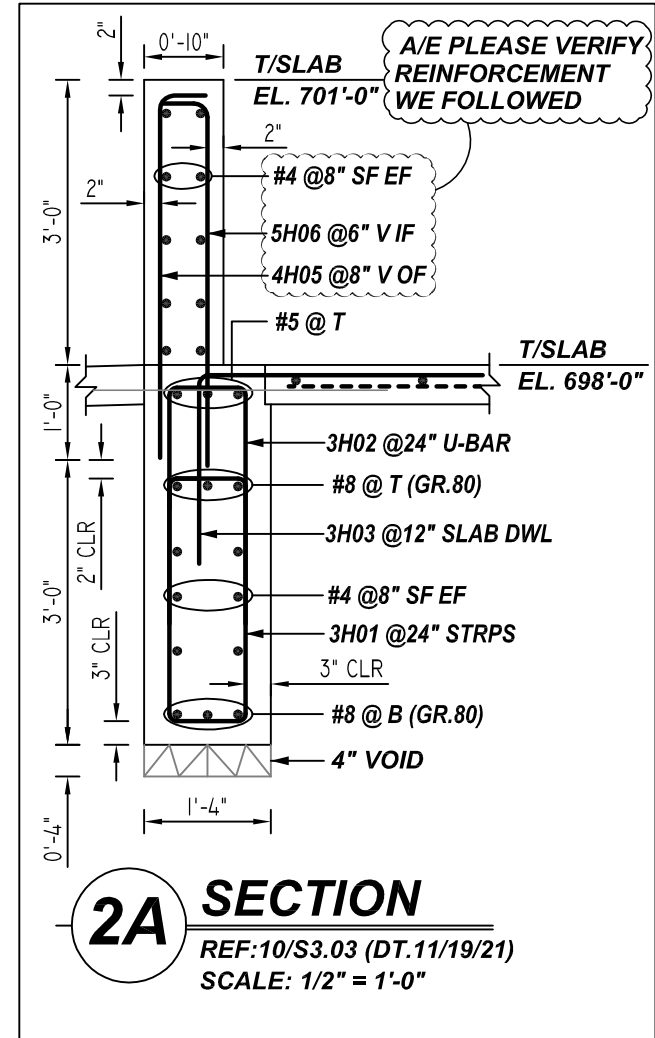
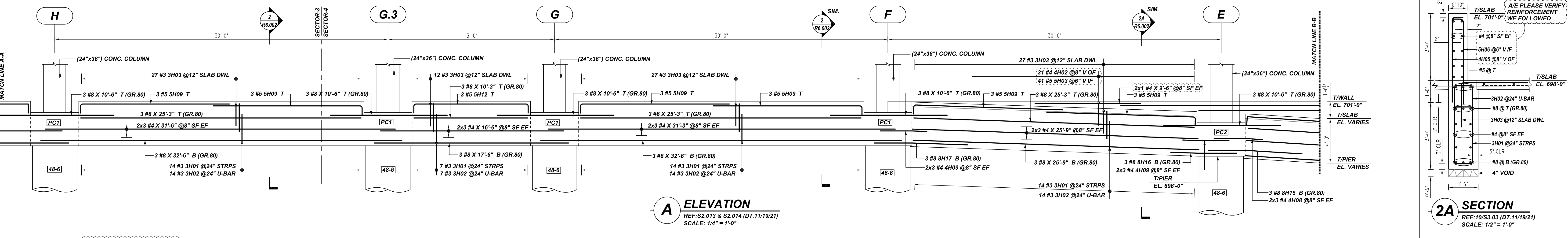
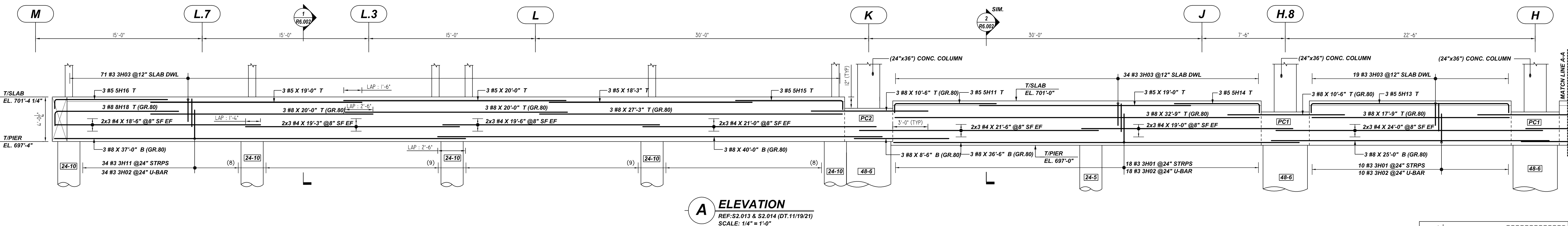
#5 AND SMALLER BAR
 ASTM A615 GRADE 60 BLACK UNCOATED

LAP SCHEDULE
 Per ACI :318 (12.2.2)

BAR#	LENGTHS	
	15 x BAR DIA	
#5	9"	
#6	11"	
#7	13"	
#8	15"	
#9	17"	
#10	19"	
#11	21"	

THE PLACING DRAWING IS D'AMBRA'S INTERPRETATION OF THE CONTRACT DRAWINGS. IT IS NOT INTENDED AS A STANDALONE DOCUMENT AND MUST ALWAYS BE USED IN CONJUNCTION WITH THE CONTRACT DRAWINGS.

SHEET TITLE: SECTOR 1 TO 4 GRADE BEAM			
PROJECT: HALL PARK D1			
LOCATION: FRISCO, TEXAS			
CUSTOMER: AUSTIN COMMERCIAL			
ENGINEER: BROCKETTE DAVIS DRAKE, INC.			
DETAILER: BCS		JOB # 21-030	SHEET # R6.001
ISS.	BY:	DATE	DESCRIPTION
0	BCS	12/08/21	FOR APPROVAL

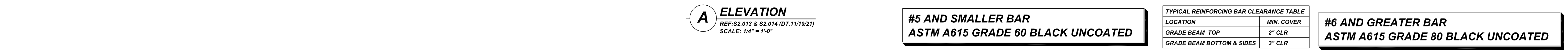


- LIST-B**
- (B1) 2x1 #4 X 40'-0" @8" SF EF
 - 2x1 #4 X 31'-8" @8" SF EF
 - 2x1 #4 X 19'-10" @8" SF EF
 - 2x1 #4 X 9'-2" @8" SF EF
 - (B6) 2x2 #4 X 2'-10" @8" SF EF

- LIST-A**
- (A1) 2x1 #4 X 27'-6" @8" SF EF
 - 2x1 #4 X 22'-2" @8" SF EF
 - 2x1 #4 X 15'-0" @8" SF EF
 - 2x1 #4 X 7'-9" @8" SF EF
 - (A6) 2x2 #4 X 1'-10" @8" SF EF

A/E PLEASE VERIFY THE REINFORCEMENT WE FOLLOWED

A/E PLEASE VERIFY THE REINFORCEMENT WE FOLLOWED

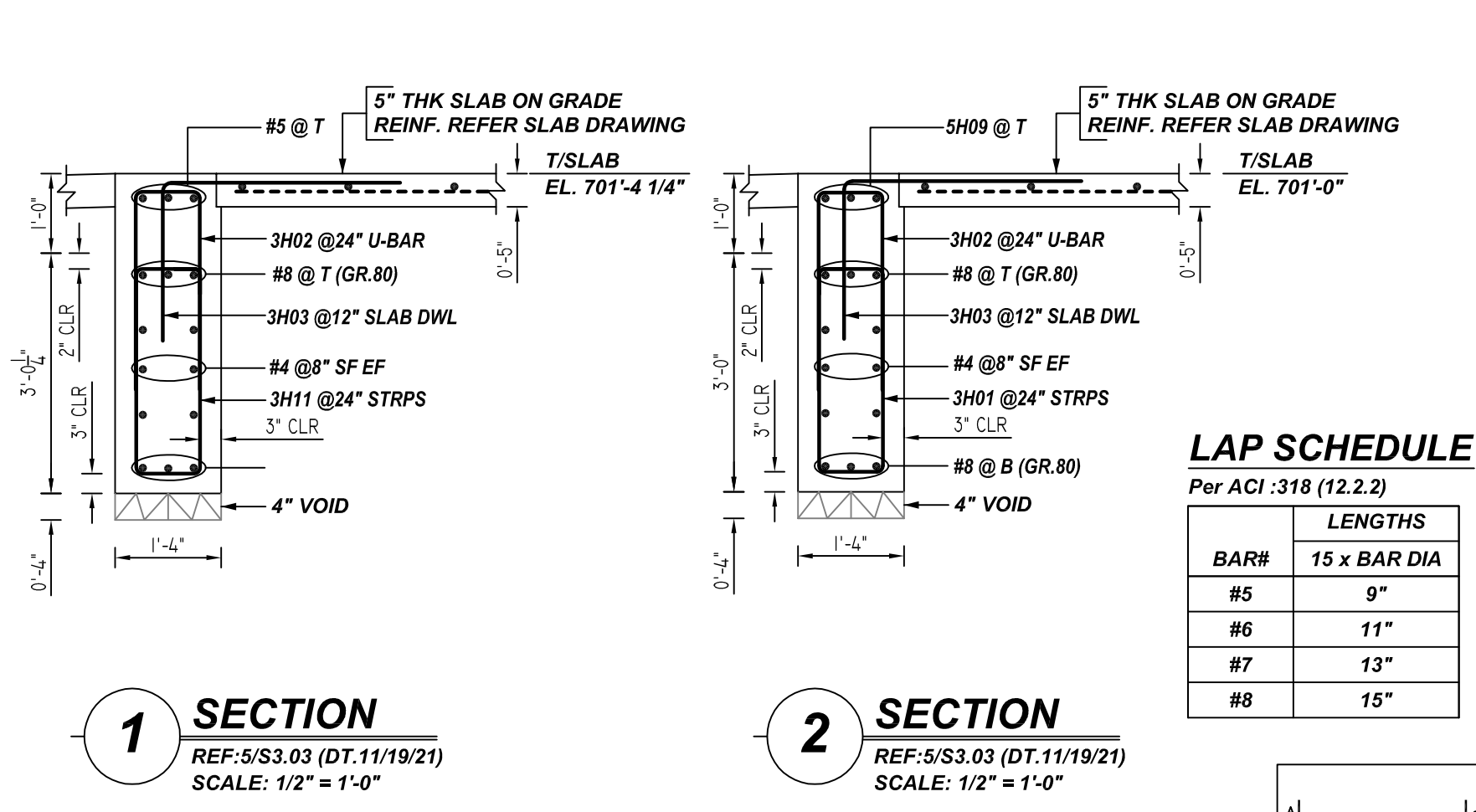


#5 AND SMALLER BAR
ASTM A615 GRADE 60 BLACK UNCOATED

TYPICAL REINFORCING BAR CLEARANCE TABLE

LOCATION	MIN. COVER
GRADE BEAM TOP	2" CLR
GRADE BEAM BOTTOM & SIDES	3" CLR

#6 AND GREATER BAR
ASTM A615 GRADE 80 BLACK UNCOATED



LAP SCHEDULE
Per ACI 318 (12.2.2)

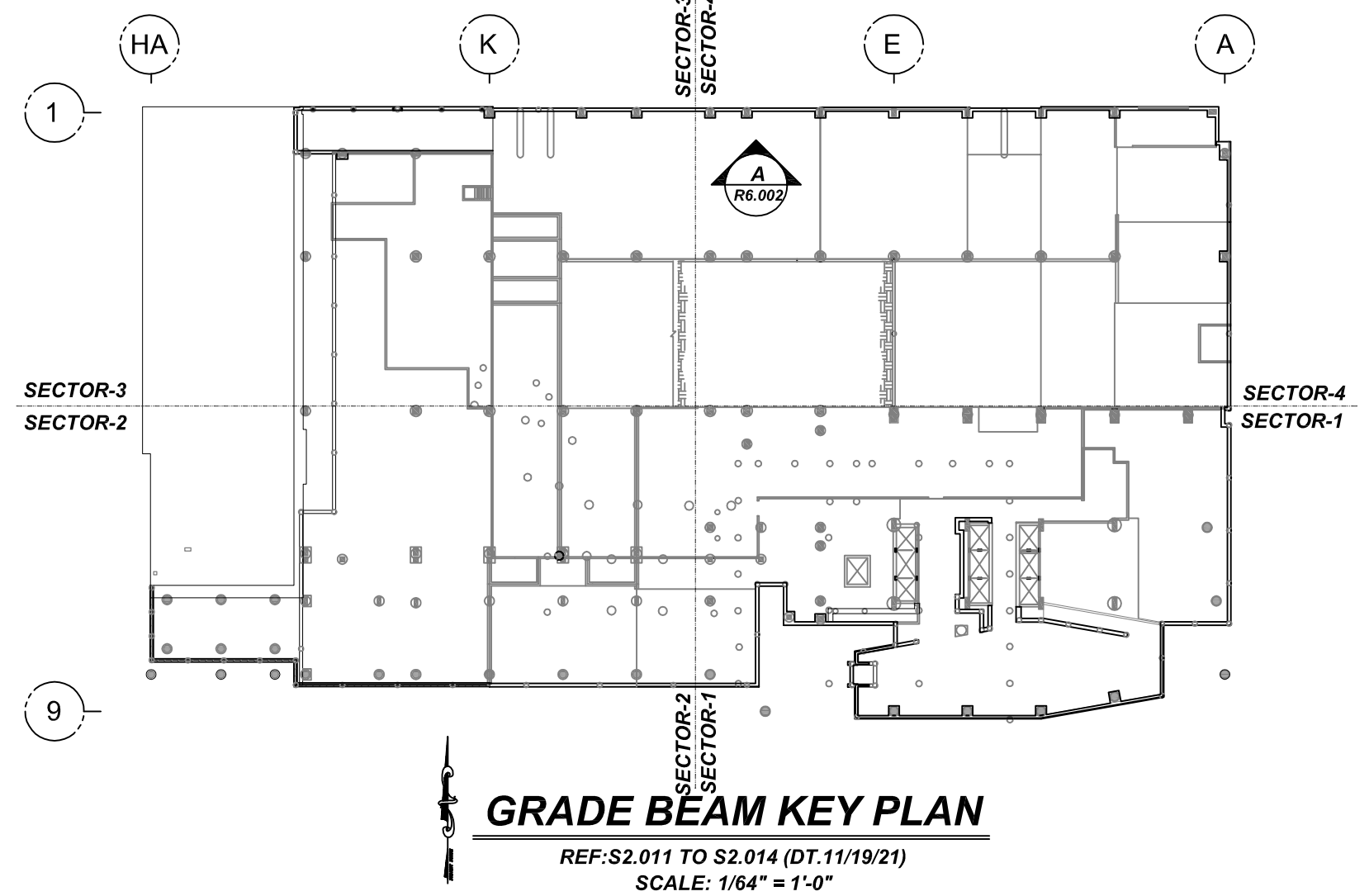
BAR #	LENGTHS
#5	9"
#6	11"
#7	13"
#8	15"

Release Number: R6.002 (GR.80)

Bar Mark	Qty	Size	Total Length	Type	X	Y	Z	W	V	U	T	S	R	Q	P	O	N	M	L	K	J	I	H	G	F	E	D	C	B	A
3401	138	#3	7'-6"	T2	0'-4"	0'-10"	2'-7"	0'-10"	2'-7"	0'-10"	2'-7"	0'-4"																		
3402	172	#3	5'-10"	S10			2'-5"	0'-10"	2'-5"																					
3403	335	#3	5'-0"	T2			2'-0"	0'-10"	2'-0"																					
3404	4	#4	7'-6"	T2	0'-4"	0'-10"	2'-7"	0'-10"	2'-7"	0'-10"	2'-7"	0'-4"																		
4402	31	#4	2'-5"	T2			0'-5"	2'-0"																						
4403	99	#4	4'-0"	T2			0'-5"	3'-0"																						
4404	4	#4	5'-3"	T2			0'-5"	4'-9"																						
4405	31	#4	4'-4"	T2			0'-5"	3'-10"																						
4407	18	#4	4'-2"	T2			2'-10"	1'-4"																						
4408	6	#4	4'-4"	T2			3'-0"	1'-4"																						
4409	12	#4	4'-2"	T2			2'-10"	1'-4"																						
5403	44	#5	2'-5"	T2			0'-5"	2'-0"																						
5404	119	#5	4'-0"	T2			0'-5"	3'-0"																						
5405	5	#5	5'-3"	T2			0'-5"	4'-9"																						
5406	44	#5	4'-4"	T2			0'-5"	3'-10"																						
5409	36	#5	14'-3"	T2	0'-10"	15'-5"																								
5411	6	#5	10'-0"	T2	0'-10"	8'-2"																								
5409	12	#4	4'-2"	T2			2'-10"	1'-4"																						
5413	3	#5	19'-4"	T2	0'-10"	17'-10"																								
5414	3	#5	8'-6"	T2	0'-10"	7'-8"																								
5415	3	#5	10'-6"	T2	0'-10"	9'-8"																								
5416	3	#5	11'-0"	T2	0'-10"	10'-2"																								

Release Number: R6.002 (GR.80)

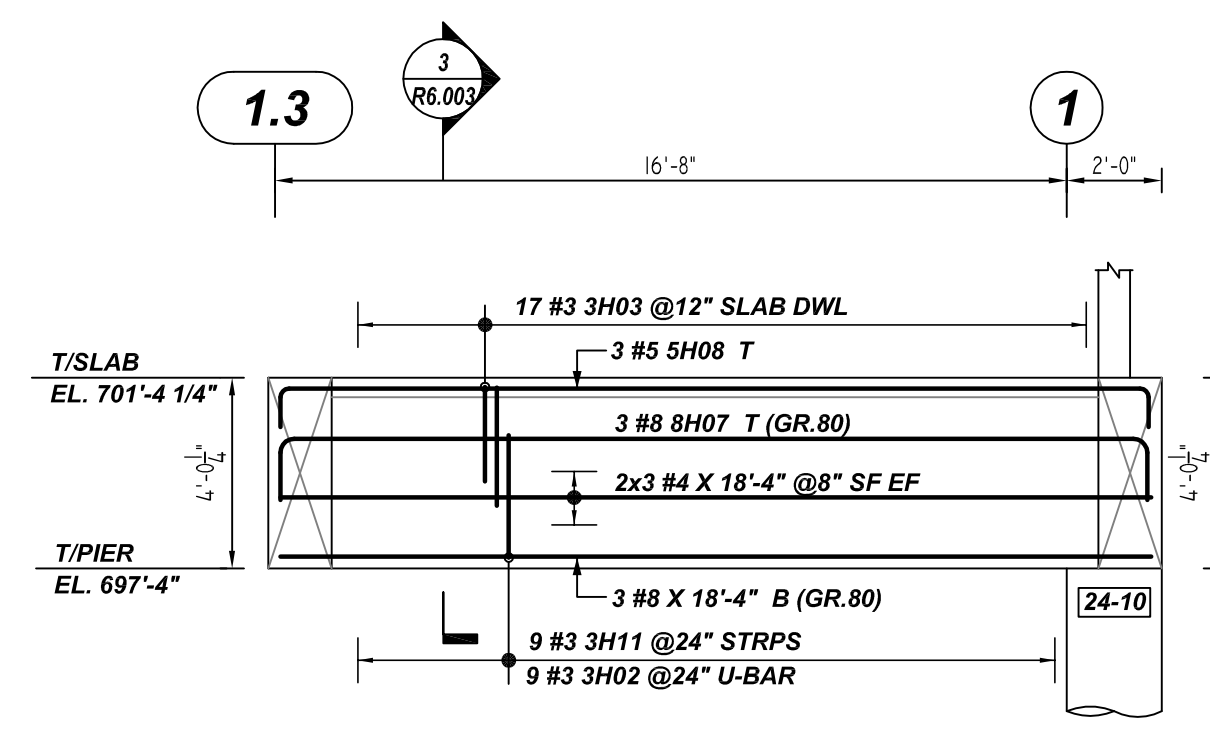
Bar Mark	Qty	Size	Total Length	Type	X	Y	Z	W	V	U	T	S	R	Q	P	O	N	M	L	K	J	I	H	G	F	E	D	C	B	A	
8111	3	#5	8'-6"	T2	1'-4"	7'-2"																									
8112	6	#5	5'-11"	T2	3'-5"	2'-6"																									
8113	3	#5	5'-11"	T2	3'-5"	2'-6"																									
8114	3	#5	10'-9"	T2	1'-4"	9'-5"																									
8115	3	#5	8'-5"	T2	3'-5"	5'-0"																									
8116	3	#5	5'-11"	T2	3'-5"	2'-6"																									
8117	3	#5	8'-5"	T2	3'-5"	5'-0"																									
8118	3	#5	12'-6"	T2	1'-4"	11'-2"																									



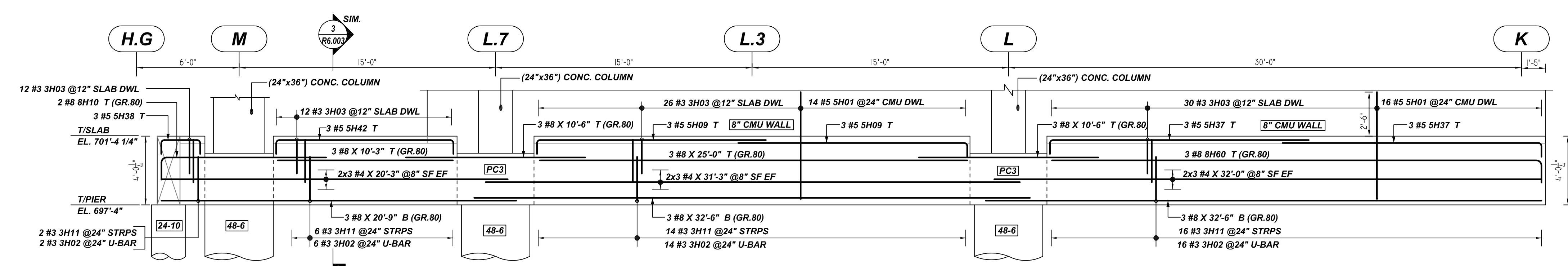
THE PLACING DRAWING IS D'AMBRA'S INTERPRETATION OF THE CONTRACT DRAWINGS. IT IS NOT INTENDED AS A STANDALONE DOCUMENT AND MUST ALWAYS BE USED IN CONJUNCTION WITH THE CONTRACT DRAWINGS.

SHEET TITLE: SECTOR 1 TO 4 GRADE BEAM			
PROJECT: HALL PARK D1			
LOCATION: FRISCO, TEXAS			
CUSTOMER: AUSTIN COMMERCIAL			
ENGINEER: BROCKETTE DAVIS DRAKE, INC.			
DETAILER: BCS			
JOB # 21-030		SHEET # R6.002	

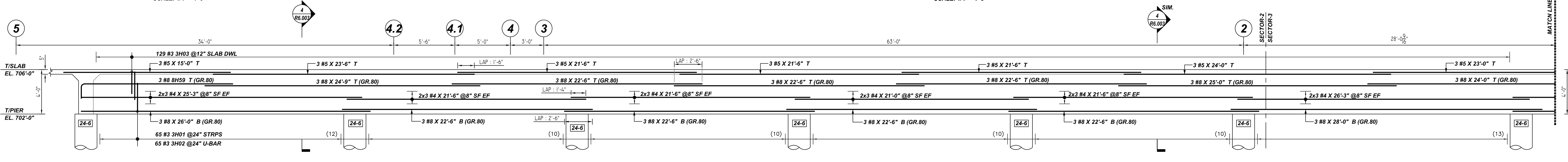
ISS.	BY.	DATE	DESCRIPTION
0	BCS	12/08/21	FOR APPROVAL



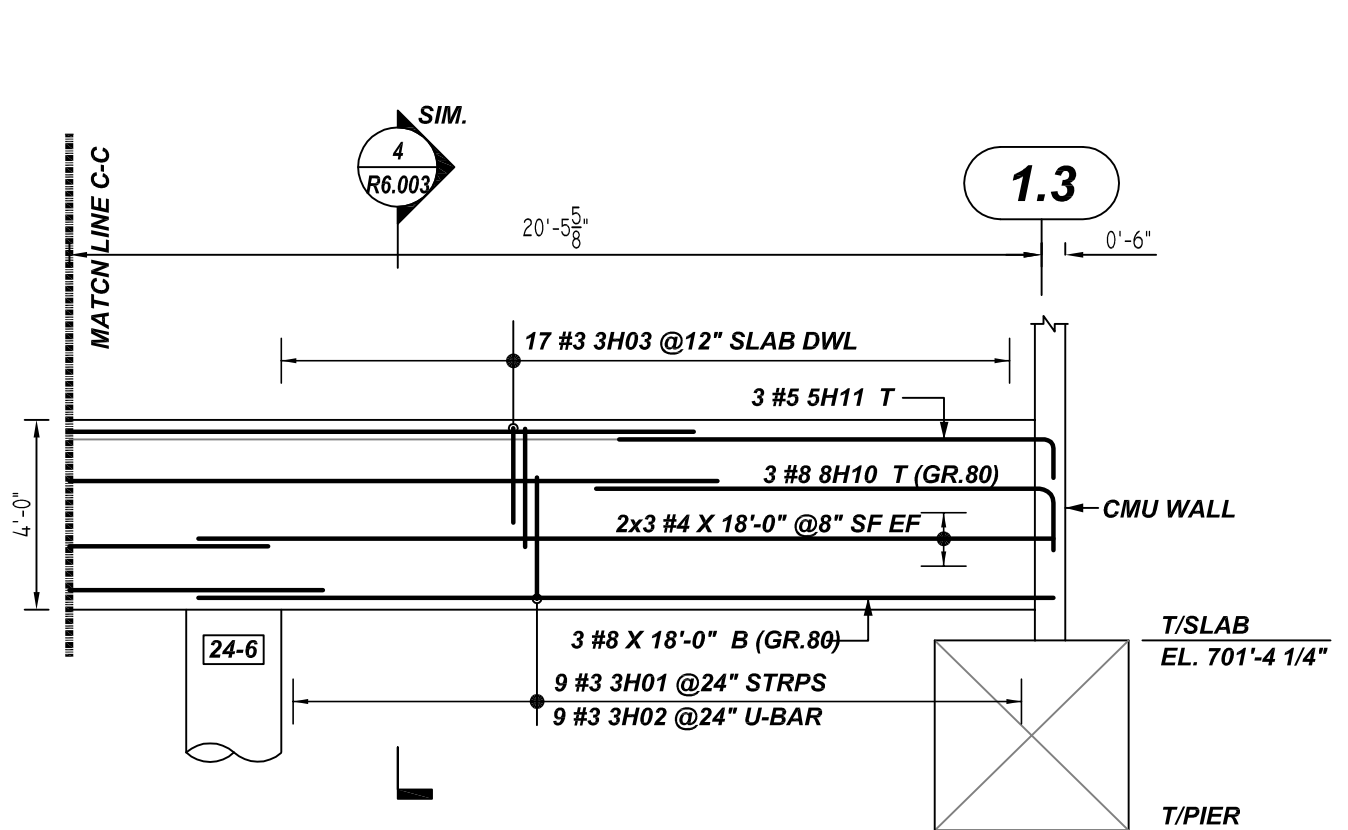
B ELEVATION
REF: S2.013 (DT.11/19/21)
SCALE: 1/4" = 1'-0"



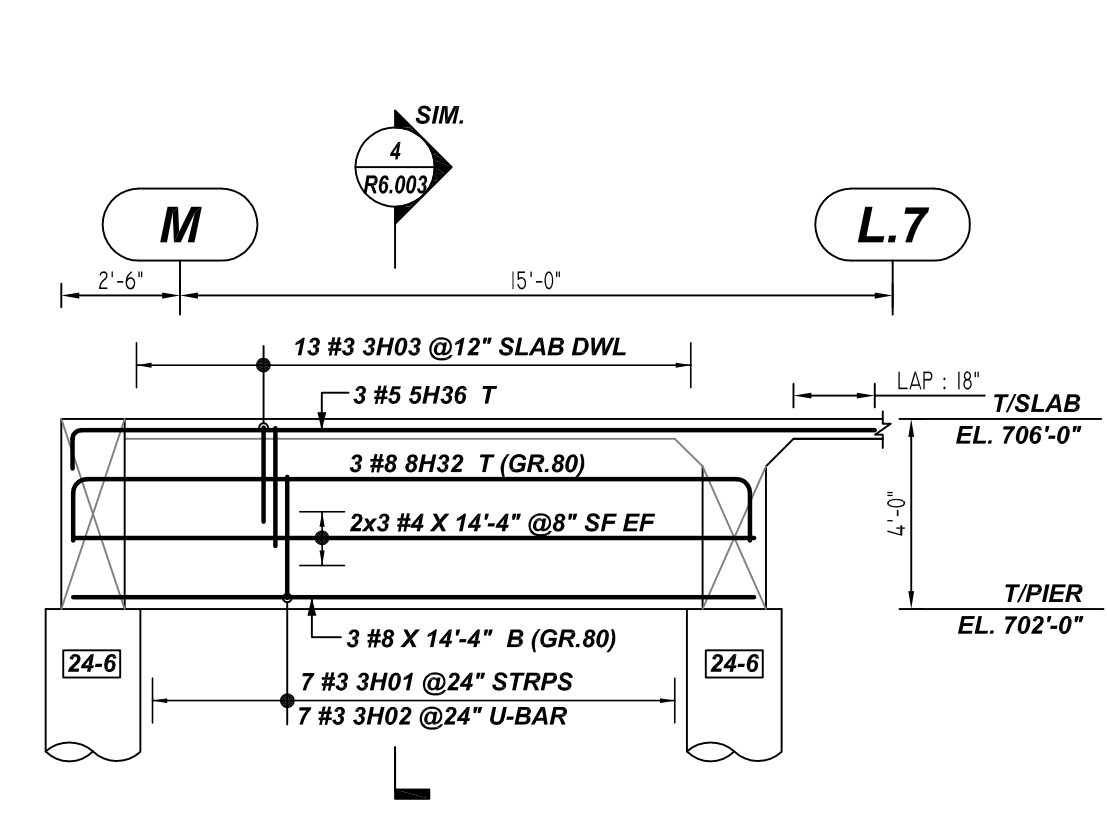
C ELEVATION
REF: S2.013 (DT.11/19/21)
SCALE: 1/4" = 1'-0"



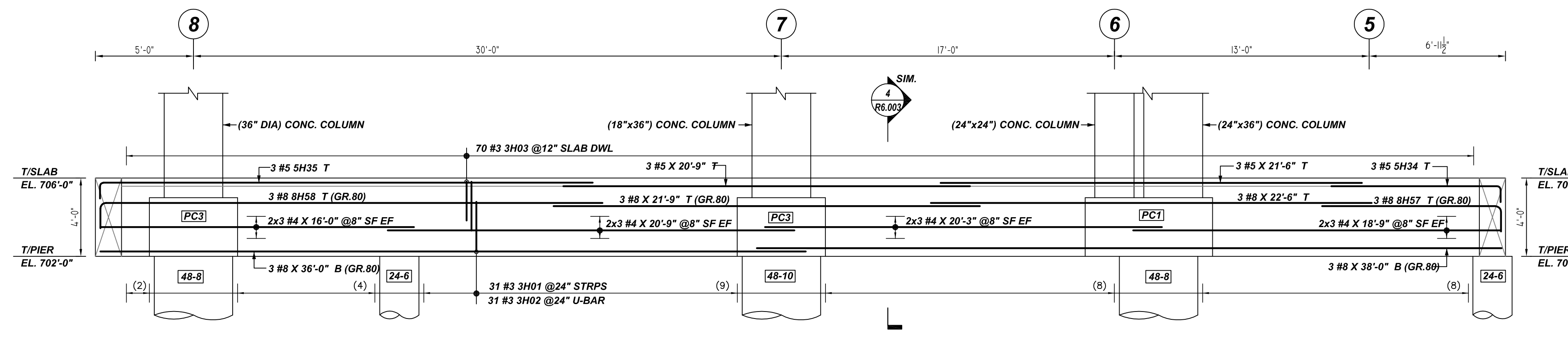
D ELEVATION
REF: S2.013 (DT.11/19/21)
SCALE: 1/4" = 1'-0"



D ELEVATION
REF: S2.013 (DT.11/19/21)
SCALE: 1/4" = 1'-0"



E ELEVATION
REF: S2.012 (DT.11/19/21)
SCALE: 1/4" = 1'-0"



F ELEVATION
REF: S2.012 (DT.11/19/21)
SCALE: 1/4" = 1'-0"

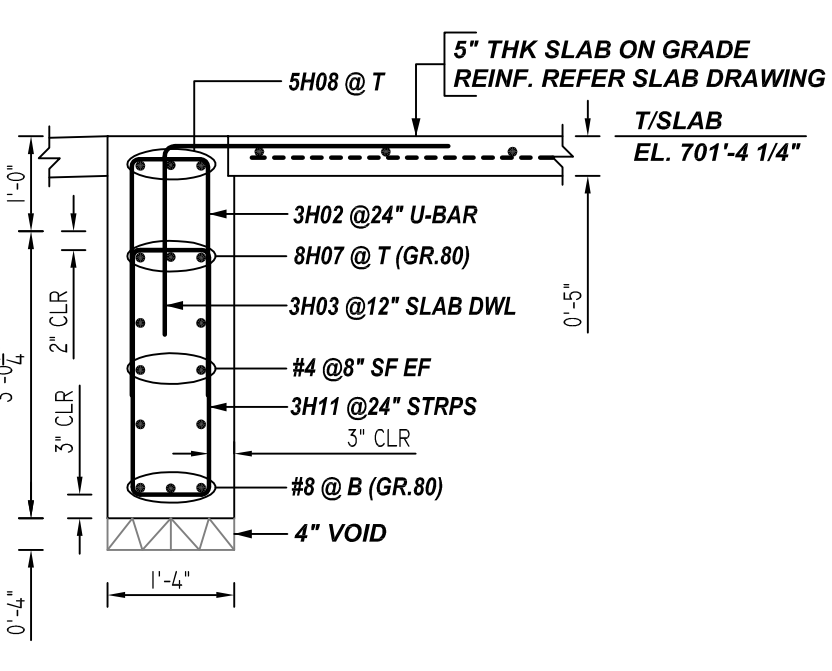
LOCATION	MIN. COVER
GRADE BEAM TOP	2" CLR
GRADE BEAM BOTTOM & SIDES	3" CLR

LAP SCHEDULE
Per ACI 318 (12.2.2)

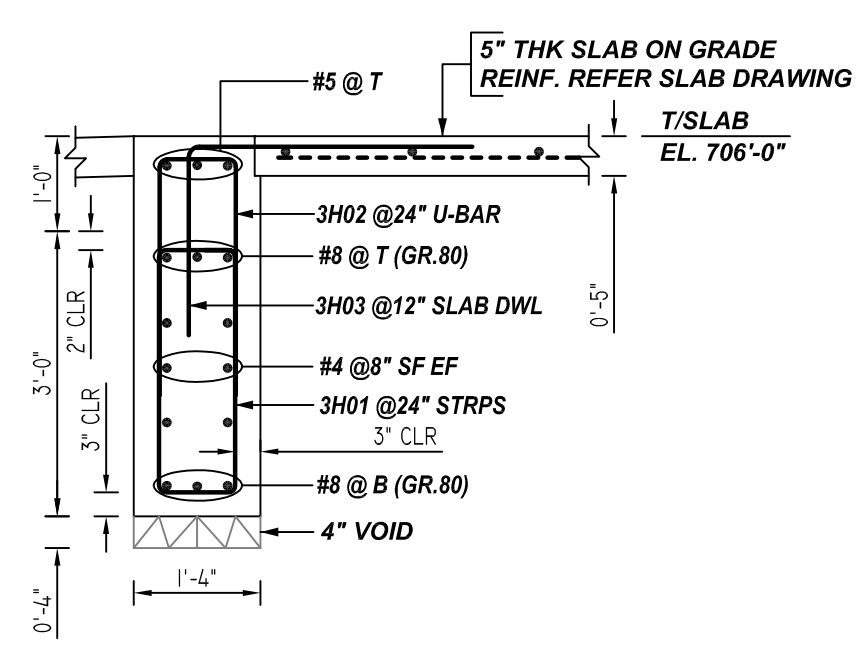
BAR#	LENGTHS
#5	9"
#6	11"
#7	13"
#8	15"
#9	17"
#10	19"
#11	21"

#5 AND SMALLER BAR
ASTM A615 GRADE 60 BLACK UNCOATED

#6 AND GREATER BAR
ASTM A615 GRADE 80 BLACK UNCOATED



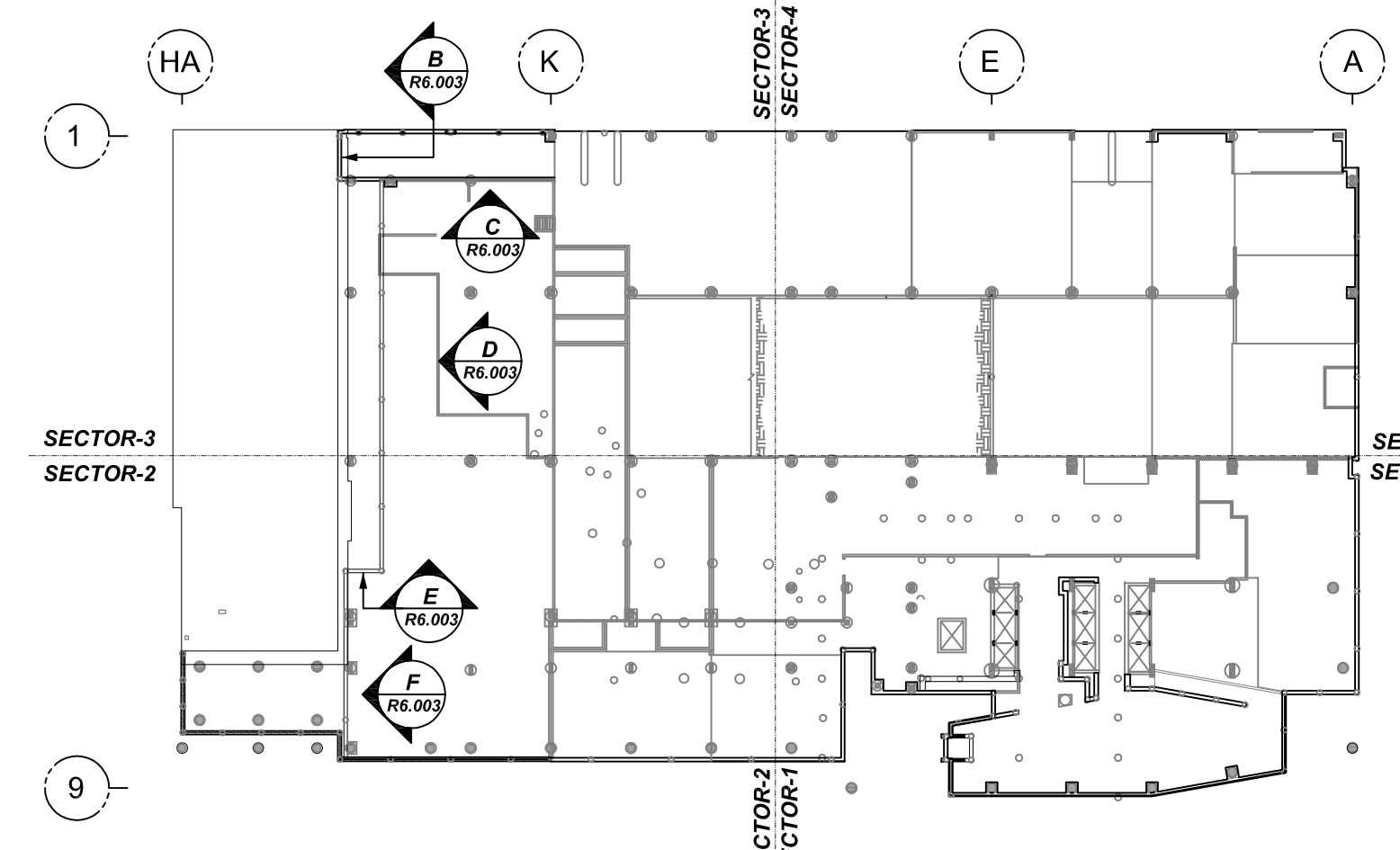
3 SECTION
REF: S3.03 (DT.11/19/21)
SCALE: 1/2" = 1'-0"



4 SECTION
REF: S3.03 (DT.11/19/21)
SCALE: 1/2" = 1'-0"

Bar Mark	Qty	Size	Total Length	Type	X'	Y'	Z'	W'	V'	U'	T'	S'	R'	Q'	P'	O'	N'	M'	L'	K'	J'	I'	H'	G'	F'	E'	D'	C'	B'	A'	
3H01	112	#3	7'-6"	T2	0'-4"	0'-10"	2'-7"	0'-10"	2'-7"	0'-4"																					
3H02	156	#3	3'-10"	S10	2'-6"	0'-10"	2'-6"	0'-10"	2'-6"	0'-4"																					
3H03	328	#3	5'-0"	T2	2'-9"	3'-0"																									
3H11	47	#3	7'-6"	T2	0'-4"	0'-10"	2'-7"	0'-10"	2'-7"	0'-4"																					
3H01	30	#5	7'-1"	T	0'-10"	6'-3"																									
5H08	3	#5	20'-0"	T	0'-10"	18'-4"				0'-10"																					
5H09	6	#5	14'-3"	T	0'-10"	15'-5"				0'-10"																					
5H11	3	#5	10'-0"	T	0'-10"	9'-2"				0'-10"																					
5H04	3	#5	9'-6"	T	0'-10"	8'-6"				0'-10"																					
5H05	3	#5	26'-0"	T	0'-10"	25'-2"				0'-10"																					
5H06	3	#5	17'-9"	T	0'-10"	16'-11"				0'-10"																					
5H07	6	#5	16'-0"	T	0'-10"	15'-2"				0'-10"																					
5H08	3	#5	4'-0"	T	0'-10"	2'-4"				0'-10"																					
5H02	3	#5	12'-1"	T	0'-10"	10'-5"				0'-10"																					

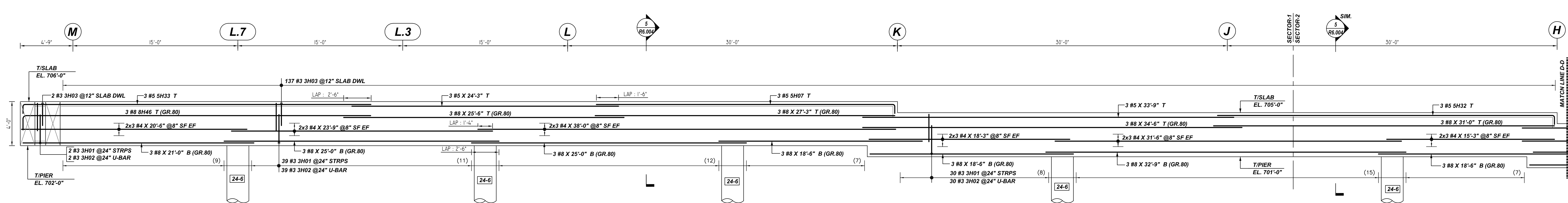
Bar Mark	Qty	Size	Total Length	Type	X'	Y'	Z'	W'	V'	U'	T'	S'	R'	Q'	P'	O'	N'	M'	L'	K'	J'	I'	H'	G'	F'	E'	D'	C'	B'	A'	
8H07	3	#8	21'-0"	T	1'-4"	18'-4"				1'-4"																					
8H10	3	#8	11'-0"	T	1'-4"	9'-5"				1'-4"																					
8H02	3	#8	17'-0"	T	1'-4"	14'-4"				1'-4"																					
8H03	3	#8	10'-6"	T	1'-4"	8'-2"				1'-4"																					
8H08	3	#8	27'-0"	T	1'-4"	25'-8"				1'-4"																					
8H09	3	#8	15'-0"	T	1'-4"	13'-8"				1'-4"																					
8H00	3	#8	30'-0"	T	1'-4"	28'-8"				1'-4"																					



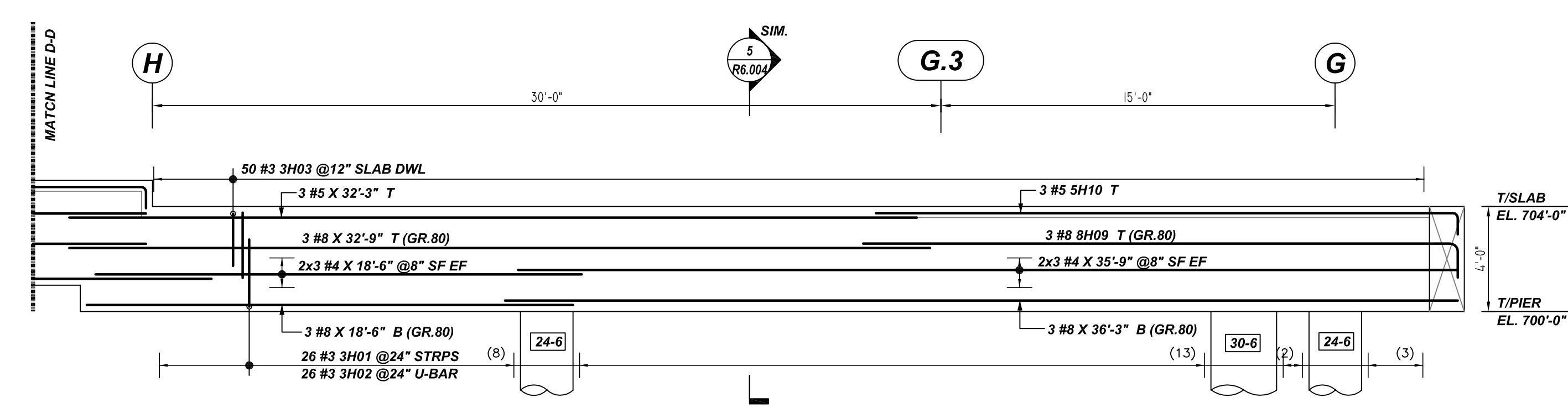
GRADE BEAM KEY PLAN
REF: S2.011 TO S2.014 (DT.11/19/21)
SCALE: 1/64" = 1'-0"

THE PLACING DRAWING IS D'AMBRA'S INTERPRETATION OF THE CONTRACT DRAWINGS. IT IS NOT INTENDED AS A STANDALONE DOCUMENT AND MUST ALWAYS BE USED IN CONJUNCTION WITH THE CONTRACT DRAWINGS.

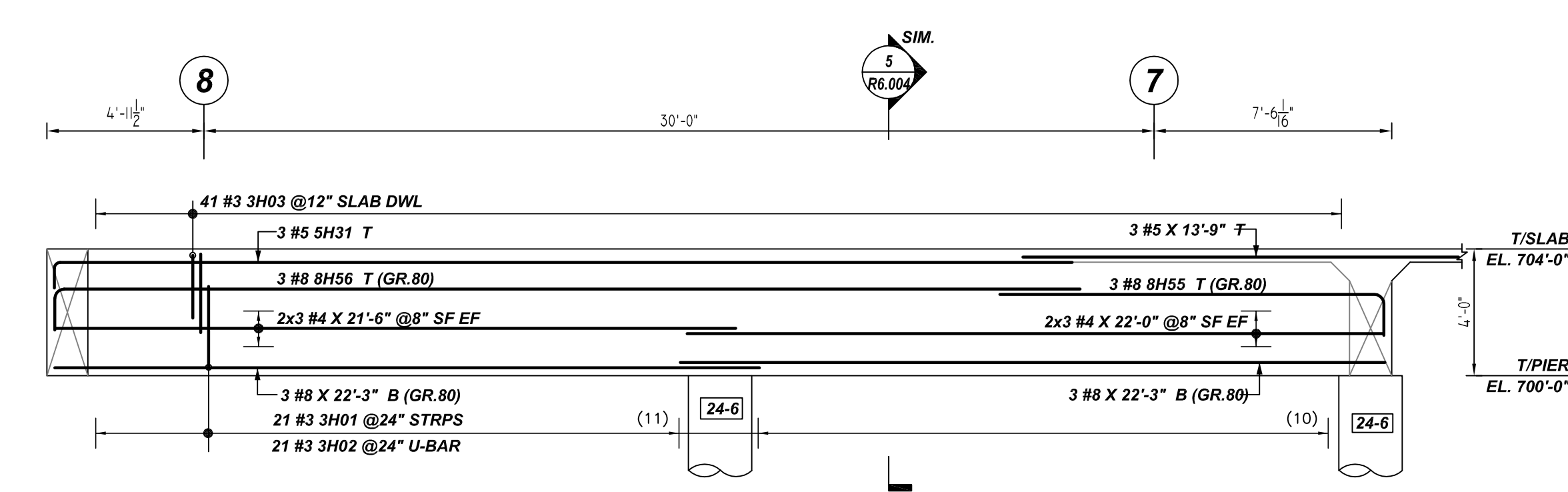
SHEET TITLE: SECTOR 1 TO 4 GRADE BEAM			
PROJECT: HALL PARK D1			
LOCATION: FRISCO, TEXAS			
ISS.	BY.	DATE	DESCRIPTION
0	BCS	12/08/21	FOR APPROVAL
CUSTOMER: AUSTIN COMMERCIAL			
ENGINEER: BROCKETTE DAVIS DRAKE, INC.			
DETAILER: BCS		JOB # 21-030	SHEET # R6.003



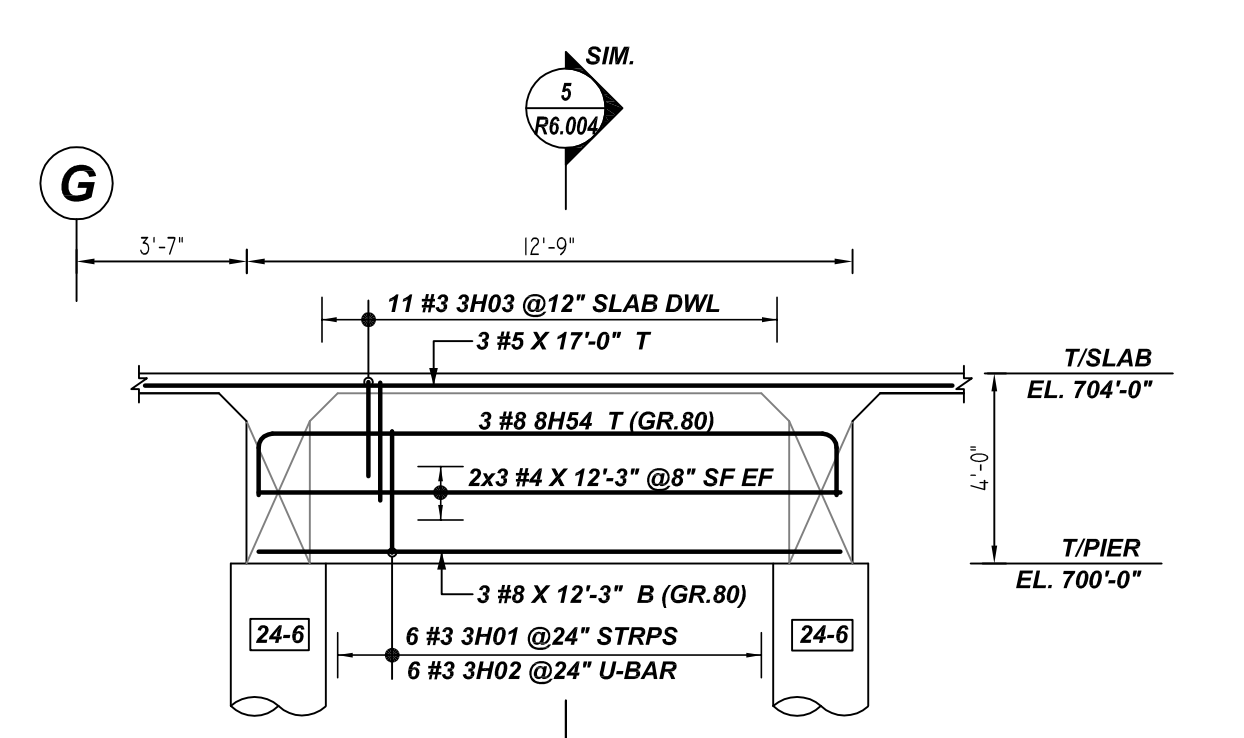
G ELEVATION
 REF: S2.012 (DT.11/19/21)
 SCALE: 1/4" = 1'-0"



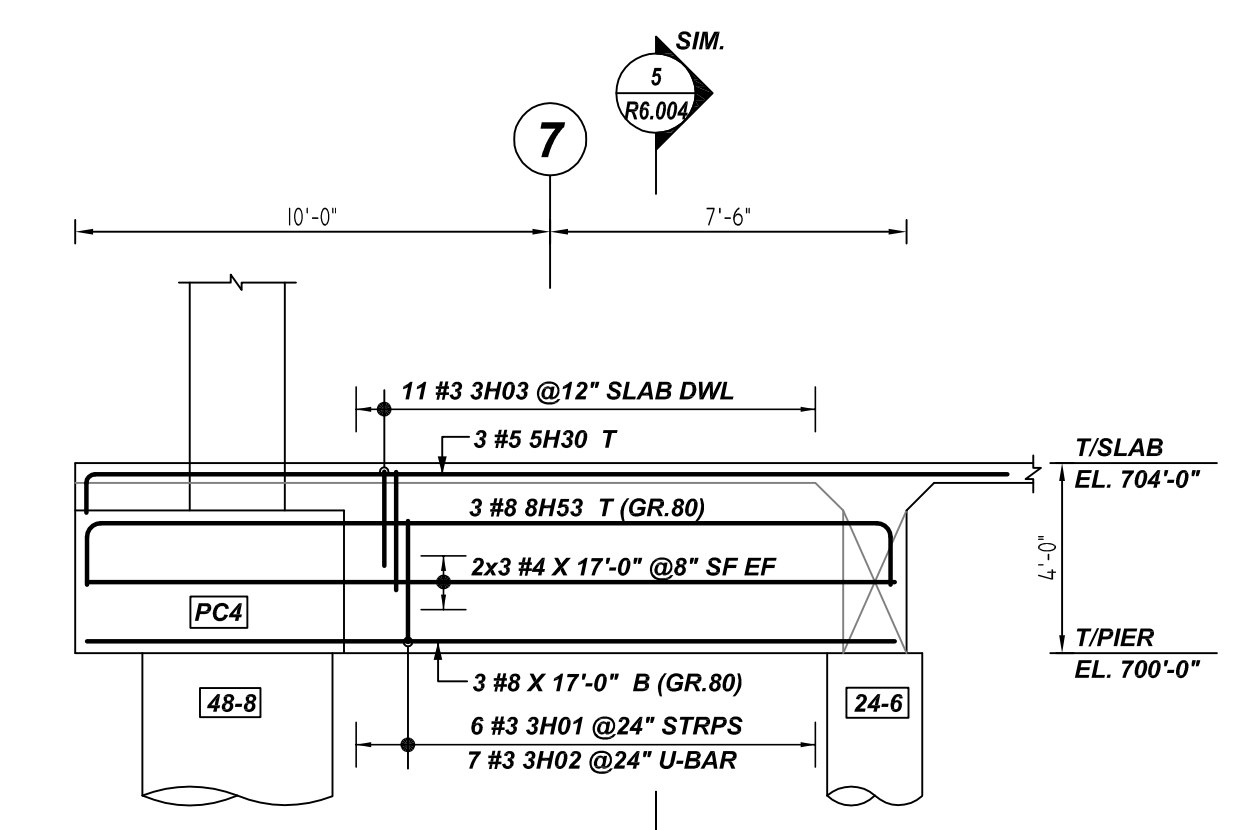
G ELEVATION
 REF: S2.012 (DT.11/19/21)
 SCALE: 1/4" = 1'-0"



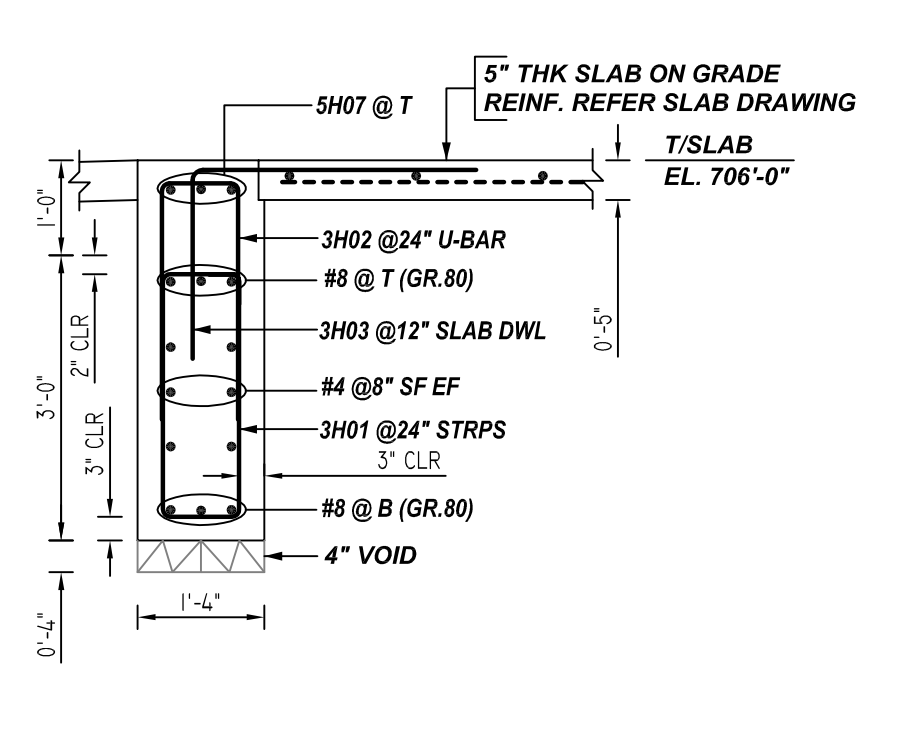
H ELEVATION
 REF: S2.011 (DT.11/19/21)
 SCALE: 1/4" = 1'-0"



J ELEVATION
 REF: S2.011 (DT.11/19/21)
 SCALE: 1/4" = 1'-0"



K ELEVATION
 REF: S2.011 (DT.11/19/21)
 SCALE: 1/4" = 1'-0"



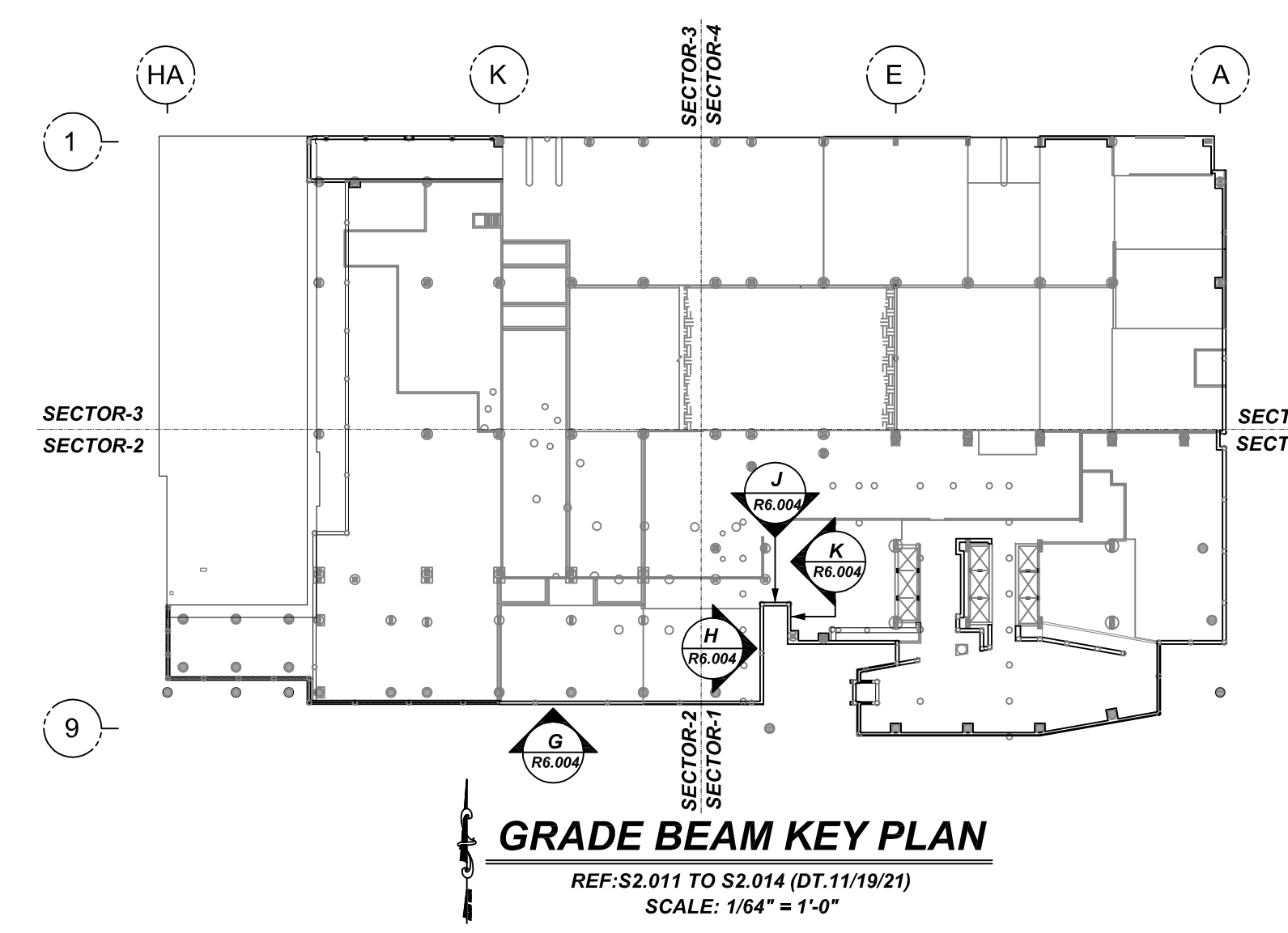
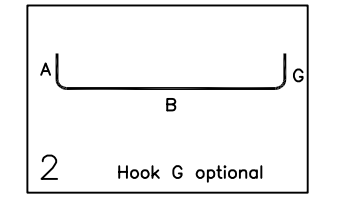
5 SECTION
 REF: S3.03 (DT.11/19/21)
 SCALE: 1/2" = 1'-0"

Release Number: R6.004 (R6.80)

Bar Mark	Qty	Size	Total Length	Type	X	Y	Z	W	V	U	T	S	R	Q	P	O	N	M	L	K	J	I	H	G	F	E	D	C	B	A
3H01	130	#3	7'-8"	Tz	0'-4"	0'-10"	2'-7"	0'-10"	2'-7"																					
3H02	130	#3	5'-10"	S10	2'-8"			2'-8"																						
3H03	260	#3	4'-0"	17	2'-0"	17	3'-0"	2'-0"	17																					
3H07	3	#5	28'-0"	2	0'-10"	22'-2"																								
3H10	3	#5	23'-0"	2	0'-10"	22'-2"																								
3H20	3	#5	20'-3"	2	0'-10"	19'-5"																								
3H31	3	#5	33'-0"	2	0'-10"	32'-2"																								
3H32	3	#5	31'-6"	2	0'-10"	30'-8"																								
3H33	3	#5	32'-6"	2	0'-10"	31'-8"																								

Release Number: R6.004 (R6.80)

Bar Mark	Qty	Size	Total Length	Type	X	Y	Z	W	V	U	T	S	R	Q	P	O	N	M	L	K	J	I	H	G	F	E	D	C	B	A
8H09	3	#8	24'-0"	2	1'-4"	22'-8"																								
8H46	3	#8	33'-0"	2	1'-4"	31'-4"																								
8H53	3	#8	19'-8"	2	1'-4"	17'-0"				1'-4"																				
8H54	3	#8	14'-11"	2	1'-4"	12'-3"				1'-4"																				
8H55	3	#8	15'-6"	2	1'-4"	12'-2"				1'-4"																				
8H56	3	#8	33'-9"	2	1'-4"	32'-5"				1'-4"																				



GRADE BEAM KEY PLAN
 REF: S2.011 TO S2.014 (DT.11/19/21)
 SCALE: 1/64" = 1'-0"

LAP SCHEDULE
 Per ACI:318 (12.2.2)

BAR#	LENGTHS
#5	15 x BAR DIA
#6	9"
#7	11"
#8	13"
#9	15"
#10	17"
#11	19"

TYPICAL REINFORCING BAR CLEARANCE TABLE

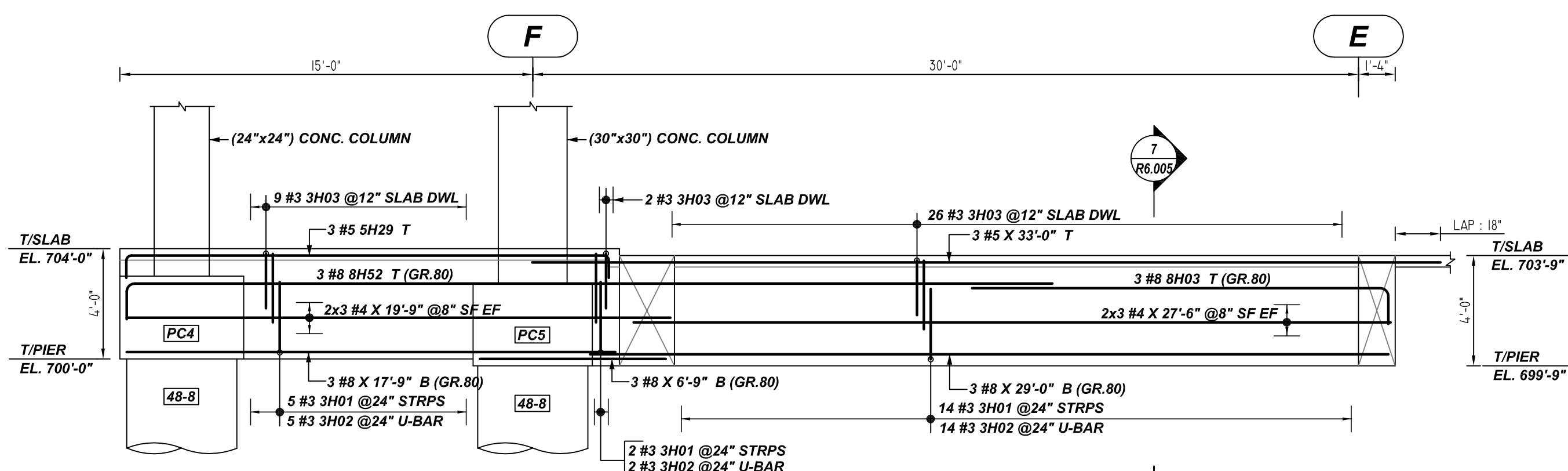
LOCATION	MIN. COVER
GRADE BEAM TOP	2" CLR
GRADE BEAM BOTTOM & SIDES	3" CLR

#5 AND SMALLER BAR
 ASTM A615 GRADE 60 BLACK UNCOATED

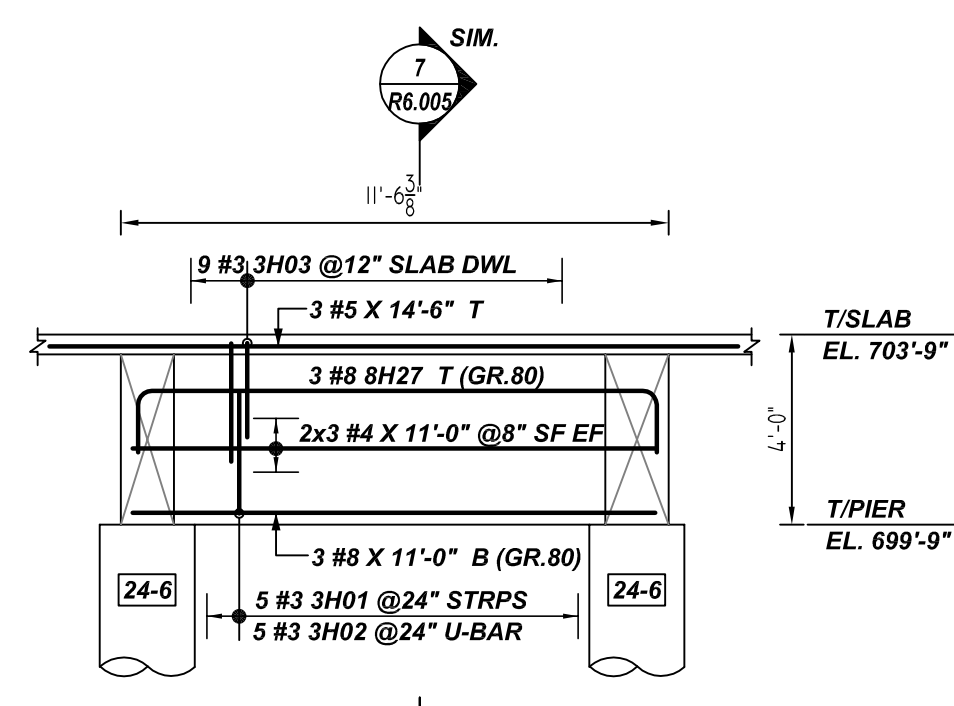
#6 AND GREATER BAR
 ASTM A615 GRADE 80 BLACK UNCOATED

THE PLACING DRAWING IS D'AMBRA'S INTERPRETATION OF THE CONTRACT DRAWINGS. IT IS NOT INTENDED AS A STANDALONE DOCUMENT AND MUST ALWAYS BE USED IN CONJUNCTION WITH THE CONTRACT DRAWINGS.

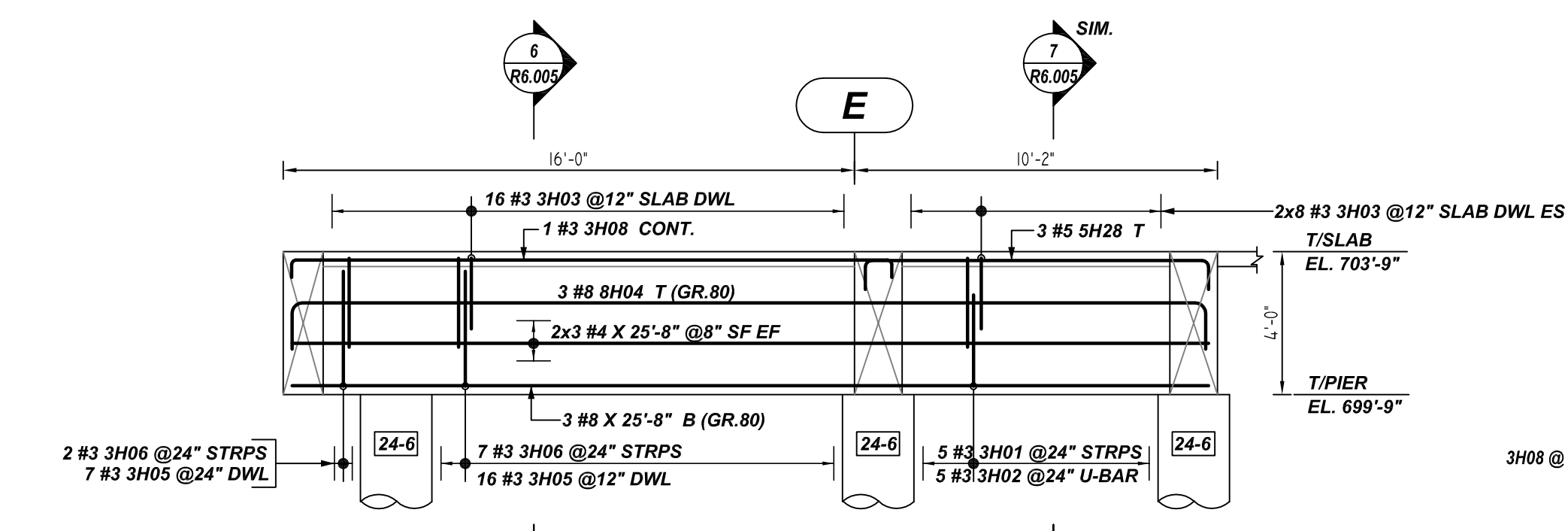
SHEET TITLE:			
SECTOR 1 TO 4			
GRADE BEAM			
PROJECT:			
HALL PARK D1			
LOCATION:			
FRISCO, TEXAS			
CUSTOMER:			
AUSTIN COMMERCIAL			
ENGINEER:			
BROCKETTE DAVIS DRAKE, INC.			
DETAILER:		JOB #	
BCS		21-030	
ISS. BY:		DATE	
0		12/08/21	
DESCRIPTION:		FOR APPROVAL	
SHEET #		R6.004	



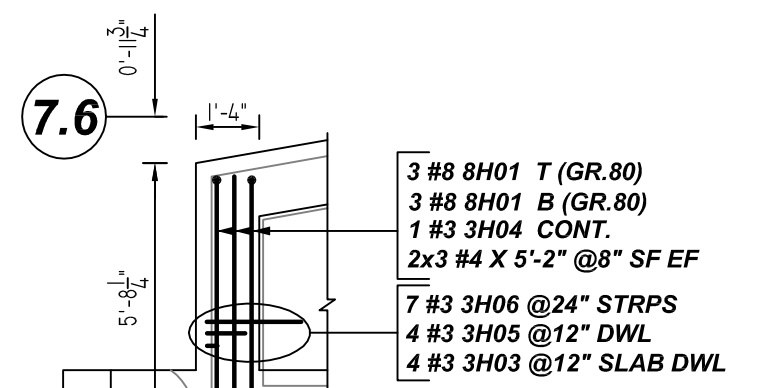
L ELEVATION
REF:S2.011 (DT.11/19/21)
SCALE: 1/4" = 1'-0"



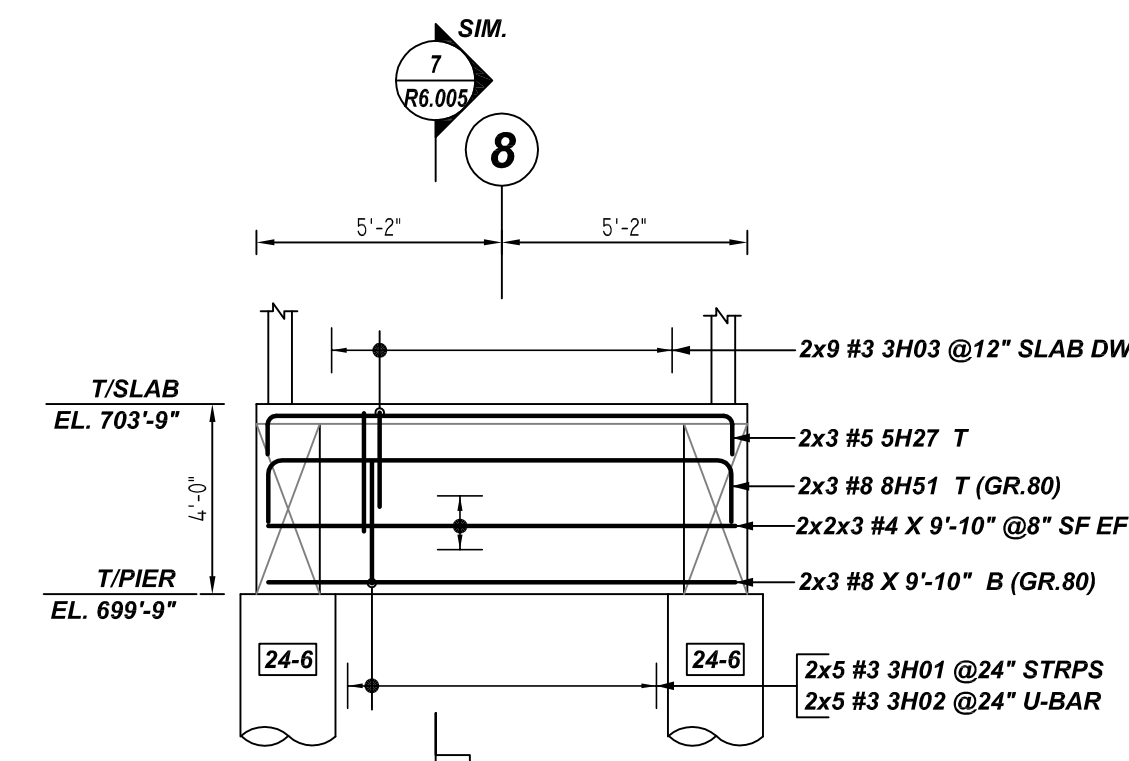
M ELEVATION
REF:S2.011 (DT.11/19/21)
SCALE: 1/4" = 1'-0"



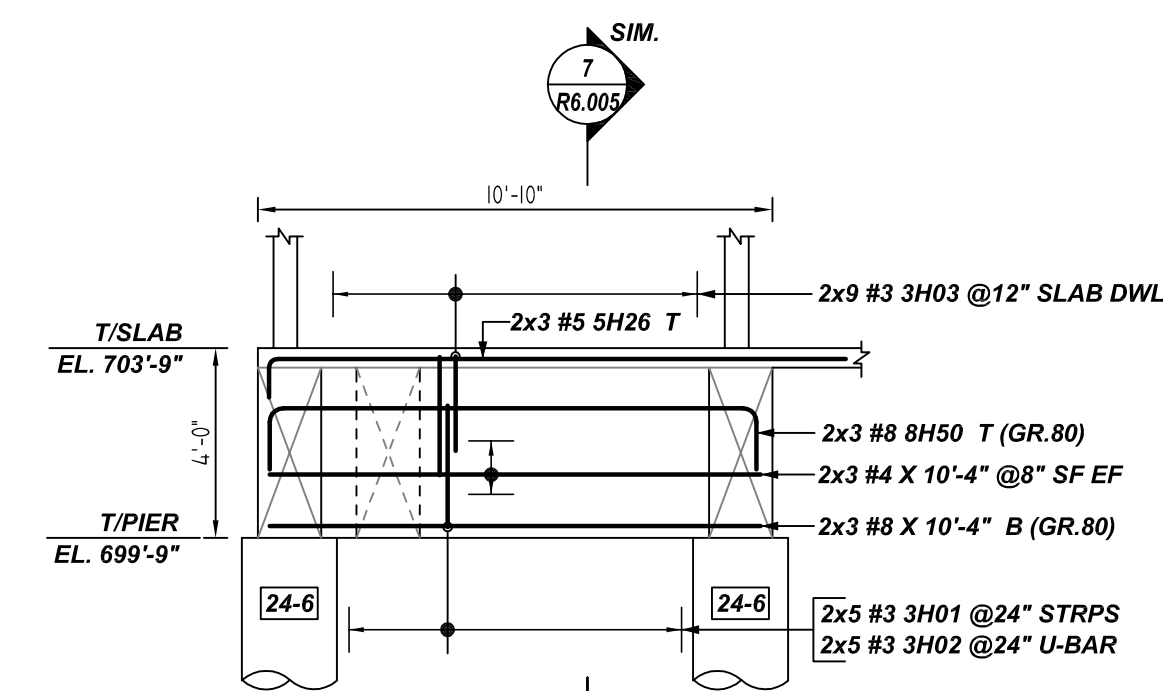
N ELEVATION
REF:S2.011 (DT.11/19/21)
SCALE: 1/4" = 1'-0"



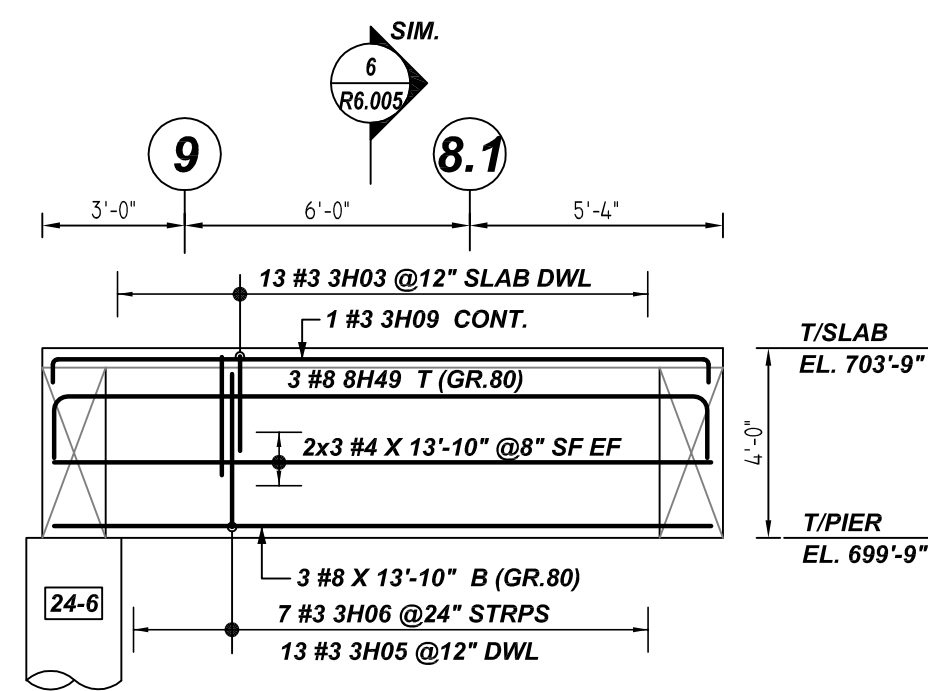
DETAIL-A
REF:S2.011 (DT.11/19/21)
SCALE: 1/4" = 1'-0"



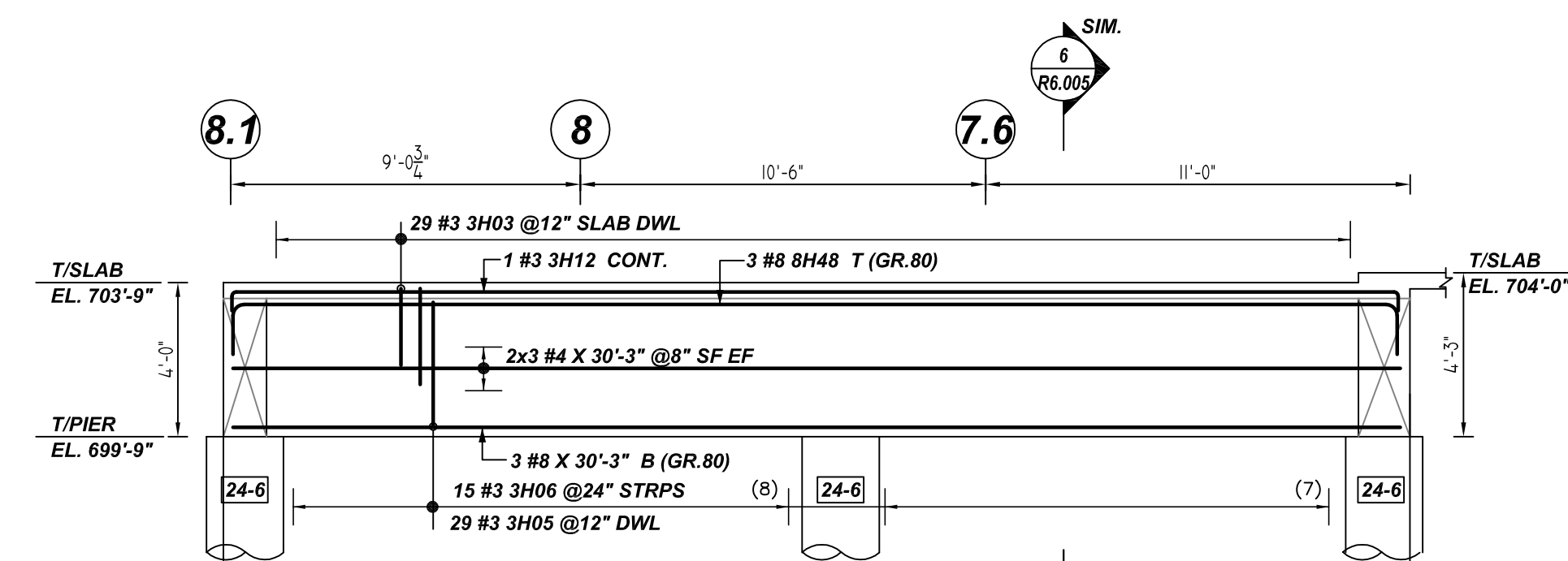
P ELEVATION
REF:S2.011 (DT.11/19/21)
SCALE: 1/4" = 1'-0"
(2 LOCATIONS)



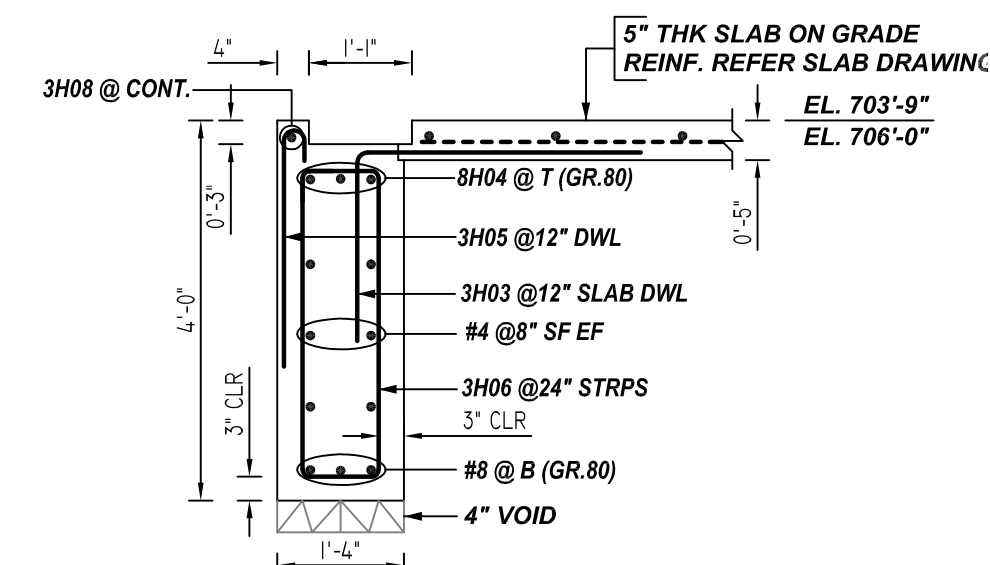
Q ELEVATION
REF:S2.011 (DT.11/19/21)
SCALE: 1/4" = 1'-0"
(2 LOCATIONS)



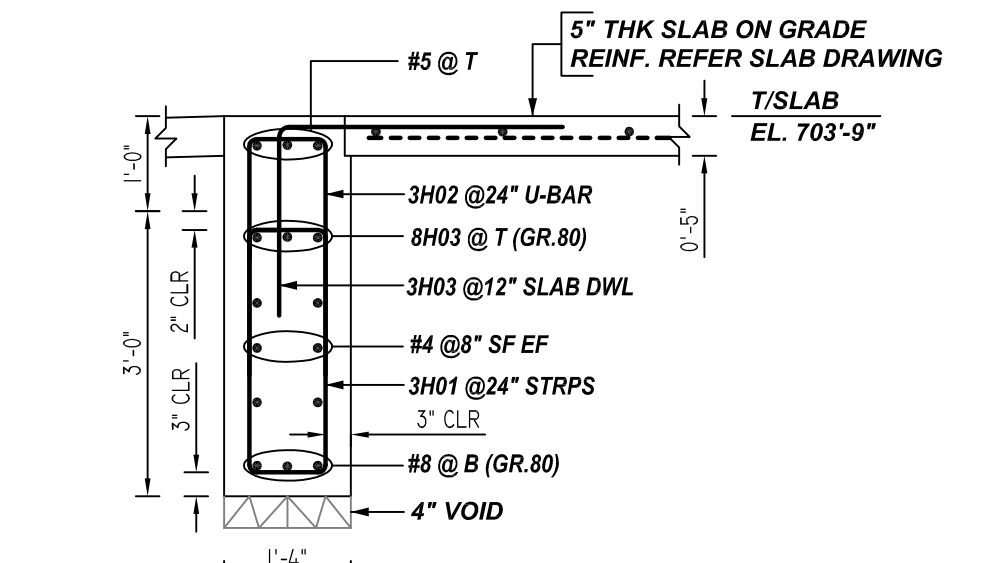
R ELEVATION
REF:S2.011 (DT.11/19/21)
SCALE: 1/4" = 1'-0"



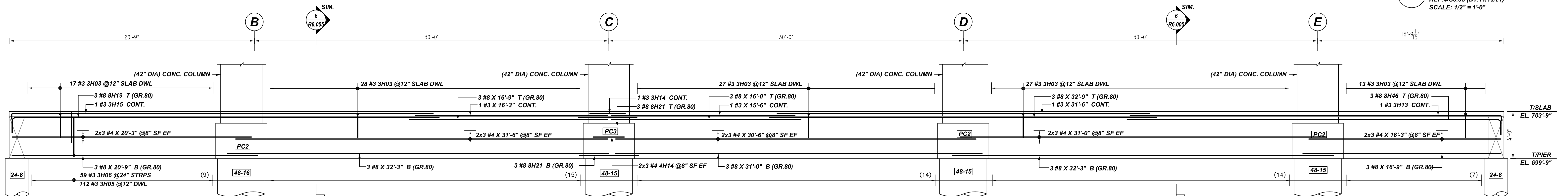
T ELEVATION
REF:S2.011 (DT.11/19/21)
SCALE: 1/4" = 1'-0"



6 SECTION
REF:3/S3.03 (DT.11/19/21)
SCALE: 1/2" = 1'-0"



7 SECTION
REF:4/S3.03 (DT.11/19/21)
SCALE: 1/2" = 1'-0"



S ELEVATION
REF:S2.011 (DT.11/19/21)
SCALE: 1/4" = 1'-0"

TYPICAL REINFORCING BAR CLEARANCE TABLE	
LOCATION	MIN. COVER
GRADE BEAM TOP	2" CLR
GRADE BEAM BOTTOM & SIDES	3" CLR

#6 AND GREATER BAR
ASTM A615 GRADE 80 BLACK UNCOATED

Release Number: R6.005 (GR.80)												
Bar Mark	Qty	Size	Total Length	Type	X	Y	Z	W	V	U	T	S
SH01	5	#3	7'-4"	T	0'-4"	0'-10"	2'-7"	0'-10"	2'-7"	0'-4"		
SH02	5	#3	5'-10"	S	2'-4"	0'-10"	2'-4"					
SH03	27	#3	5'-0"	T	2'-0"	3'-0"						
SH04	1	#3	6'-2"	T	0'-6"	5'-2"						
SH05	18	#3	2'-11"	T	0'-5"	2'-6"						
SH06	9	#3	6'-10"	T	0'-4"	0'-10"	3'-3"	0'-10"	3'-3"	0'-4"		
SH08	1	#3	17'-10"	T	0'-4"	16'-10"						
SH09	1	#3	14'-10"	T	0'-4"	13'-10"						
SH12	1	#3	31'-3"	T	0'-6"	30'-3"						
SH13	1	#3	31'-11"	T	0'-6"	31'-5"						
SH14	1	#3	3'-0"	T	1'-6"					0'-3"	1'-5"	2'-11"
SH15	1	#3	35'-2"	T	0'-6"	35'-8"						
SH16	1	#3	2'-4"	T	1'-4"					0'-3"	1'-3"	2'-1"
SH06	6	#6	13'-0"	T	0'-10"	12'-2"						
SH07	6	#6	11'-6"	T	0'-10"	9'-10"						
SH08	3	#6	11'-4"	T	0'-10"	9'-8"						
SH09	3	#6	19'-3"	T	0'-10"	17'-7"						

Release Number: R6.005 (GR.80)												
Bar Mark	Qty	Size	Total Length	Type	X	Y	Z	W	V	U	T	S
SH01	6	#6	7'-10"	T	1'-4"	5'-7"						
SH03	3	#6	16'-6"	T	1'-4"	15'-2"						
SH04	3	#6	26'-4"	T	1'-4"	25'-8"						
SH10	3	#6	37'-4"	T	1'-4"	36'-2"						
SH21	6	#6	5'-0"	T	2'-6"	2'-6"			0'-5"	2'-5"	4'-11"	
SH07	3	#6	13'-6"	T	1'-4"	11'-0"						
SH06	3	#6	33'-0"	T	1'-4"	31'-8"						
SH08	3	#6	32'-11"	T	1'-4"	30'-5"						
SH09	3	#6	15'-4"	T	1'-4"	13'-10"						
SH05	6	#6	13'-0"	T	1'-4"	10'-4"						
SH01	6	#6	12'-6"	T	1'-4"	9'-10"						
SH02	3	#6	35'-0"	T	1'-4"	33'-8"						

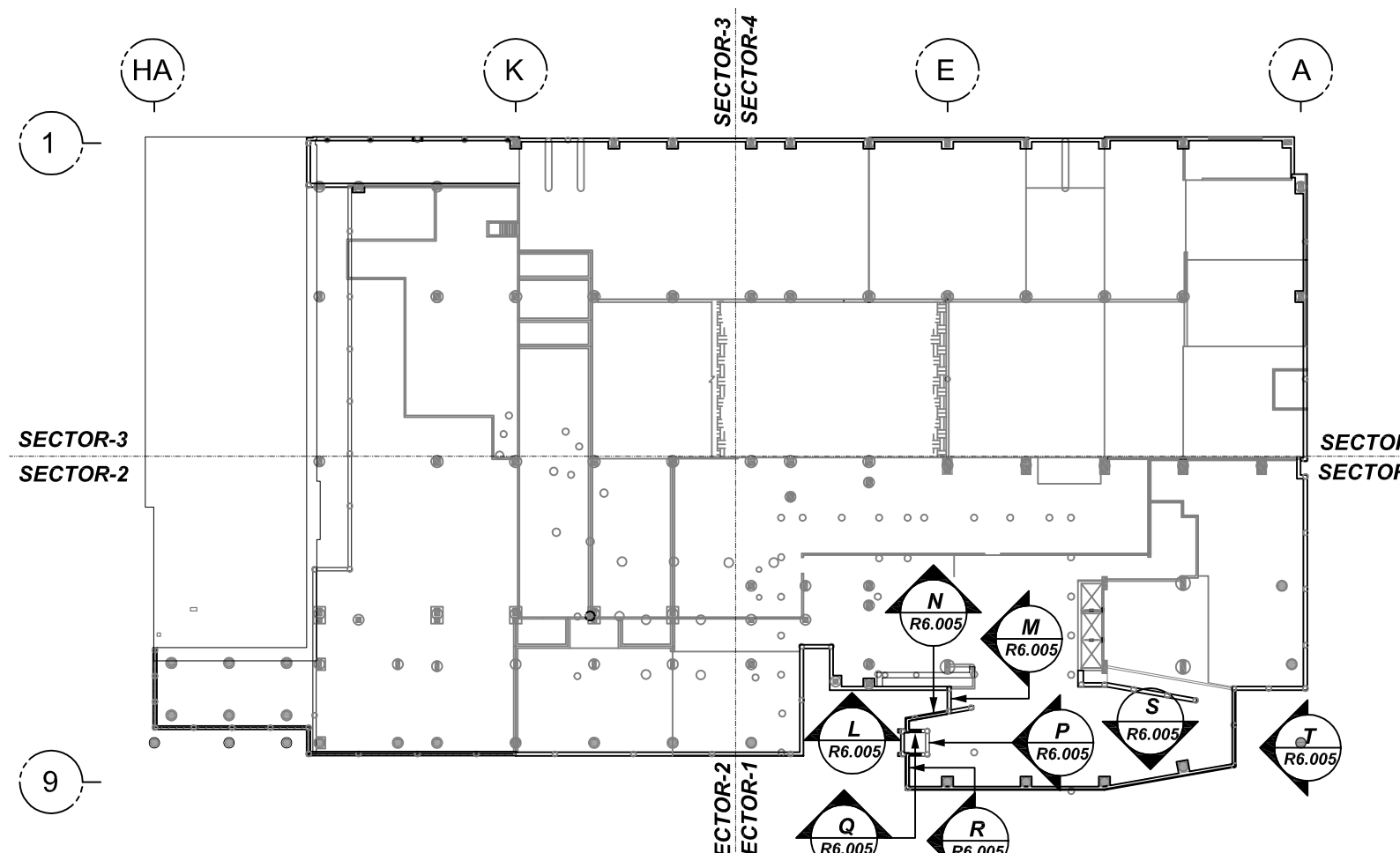


LAP SCHEDULE

Per ACI 318 (12.2.2)

BAR #	LENGTHS
#5	15 x BAR DIA
#6	9"
#7	11"
#8	13"

#5 AND SMALLER BAR
ASTM A615 GRADE 60 BLACK UNCOATED



GRADE BEAM KEY PLAN

REF:S2.011 TO S2.014 (DT.11/19/21)
SCALE: 1/64" = 1'-0"

THE PLACING DRAWING IS D'AMBRA'S INTERPRETATION OF THE CONTRACT DRAWINGS. IT IS NOT INTENDED AS A STANDALONE DOCUMENT AND MUST ALWAYS BE USED IN CONJUNCTION WITH THE CONTRACT DRAWINGS.

SHEET TITLE:
SECTOR 1 TO 4
GRADE BEAM

PROJECT:
HALL PARK D1

LOCATION:
FRISCO, TEXAS

CUSTOMER:
AUSTIN COMMERCIAL

ENGINEER:
BROCKETTE DAVIS DRAKE, INC.

DETAILER: BCS JOB # 21-030 SHEET # R6.005

ISS.	BY.	DATE	DESCRIPTION
0	BCS	12/08/21	FOR APPROVAL

