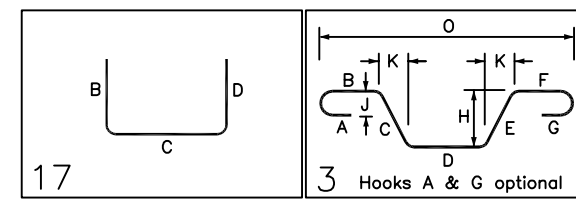


Bar Number	Qty	Size	Total Length	Type	X	Y	Z	W	V	U	T	S	R	Q	P
4K01	8	#4	8'-8"	17		4'-3"	4'-3"								
4K02	12	#4	7'-0"	3		2'-9"	4'-2"			3'-0"		2'-11"	5'-9"		
4K03	12	#4	4'-7"	3		1'-4"	3'-2"			2'-3"		2'-5"	3'-2"		
4K04	8	#4	6'-8"	17		3'-3"	3'-3"								
4K05	8	#4	5'-10"	17		2'-11"	2'-11"								
4K06	10	#4	4'-5"	3		1'-4"	2'-10"			2'-1"		2'-0"	3'-4"		
4K11	8	#4	7'-0"	3		1'-5"	5'-2"			4'-0"		3'-11"	5'-4"		
4K12	2	#4	3'-10"	3		0'-11"	2'-10"			2'-1"		2'-0"	2'-11"		
4K15	1	#4	6'-0"	3		1'-0"	5'-0"			3'-7"		3'-6"	4'-6"		
4K16	5	#4	6'-7"	3		1'-7"	5'-0"			3'-7"		3'-6"	5'-1"		
4K29	8	#4	10'-8"	3		2'-10"	7'-7"			5'-5"		5'-4"	8'-2"		
4K30	12	#4	9'-8"	17		2'-11"	3'-10"			2'-11"		2'-9"	2'-9"		
4K31	4	#4	8'-0"	17		2'-9"	3'-5"								
4K32	8	#4	8'-4"	17		2'-7"	3'-2"			2'-7"					
4K33	20	#4	10'-6"	17		3'-2"	4'-2"			3'-2"					
4K34	8	#4	8'-8"	17		2'-11"	3'-10"			2'-11"					
4K35	8	#4	12'-7"	17		3'-8"	5'-3"			5'-8"					



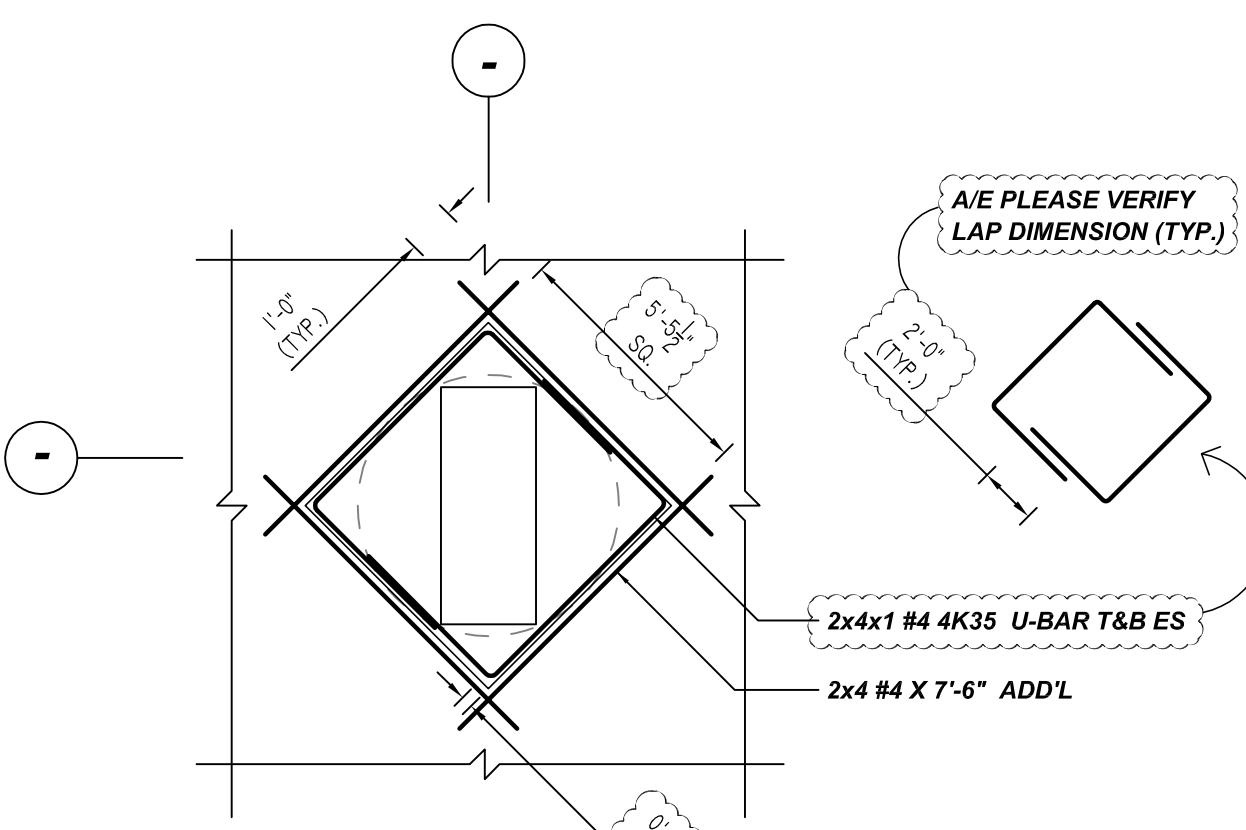
LAP SCHEDULE

5000 PSI (CLASS-B) CASE - 1
Per ACI 318 (12.2.2)

BAR#	LENGTHS	
	TOP	OTHERS
#3	1'-10"	1'-5"
#4	2'-5"	1'-10"
#5	3'-0"	2'-4"
#6	3'-7"	2'-9"
#7	5'-3"	4'-1"
#8	6'-0"	4'-7"
#9	6'-9"	5'-3"
#10	7'-7"	5'-10"
#11	8'-5"	6'-6"

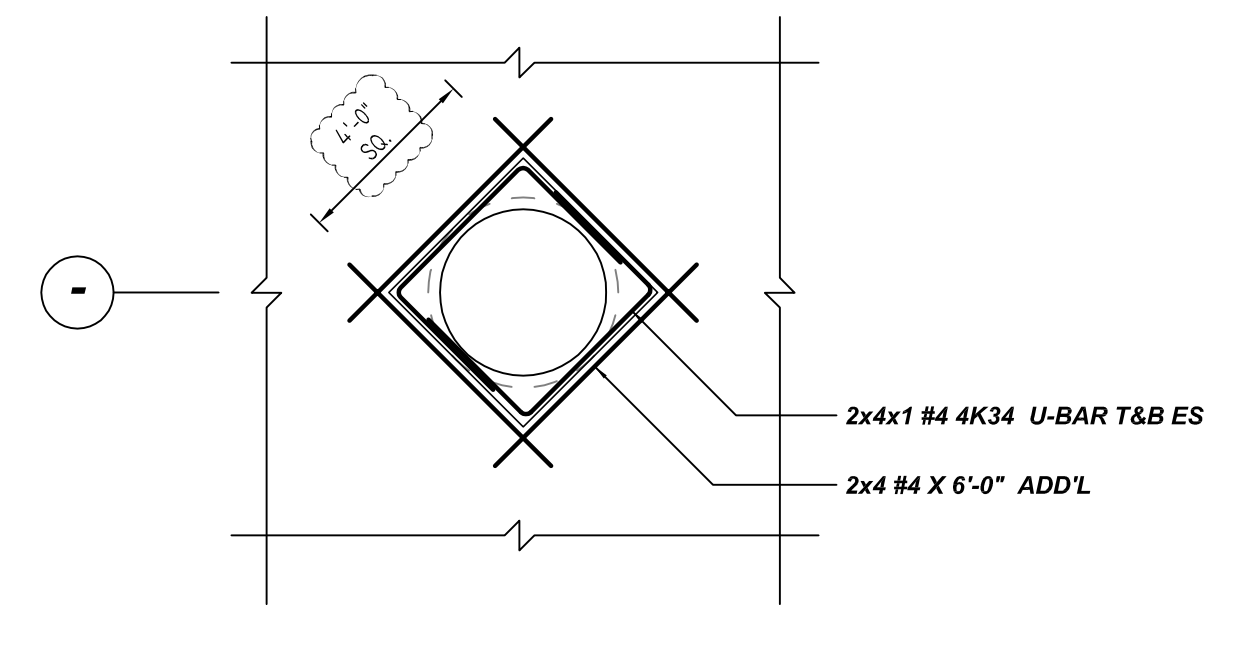
ALL TOP BARS ARE DEFINED AS HORIZ BARS WITH MORE THAN 12" OF CONCRETE BELOW BARS.

A/E PLEASE VERIFY LAP SCHEDULE (TYP.)



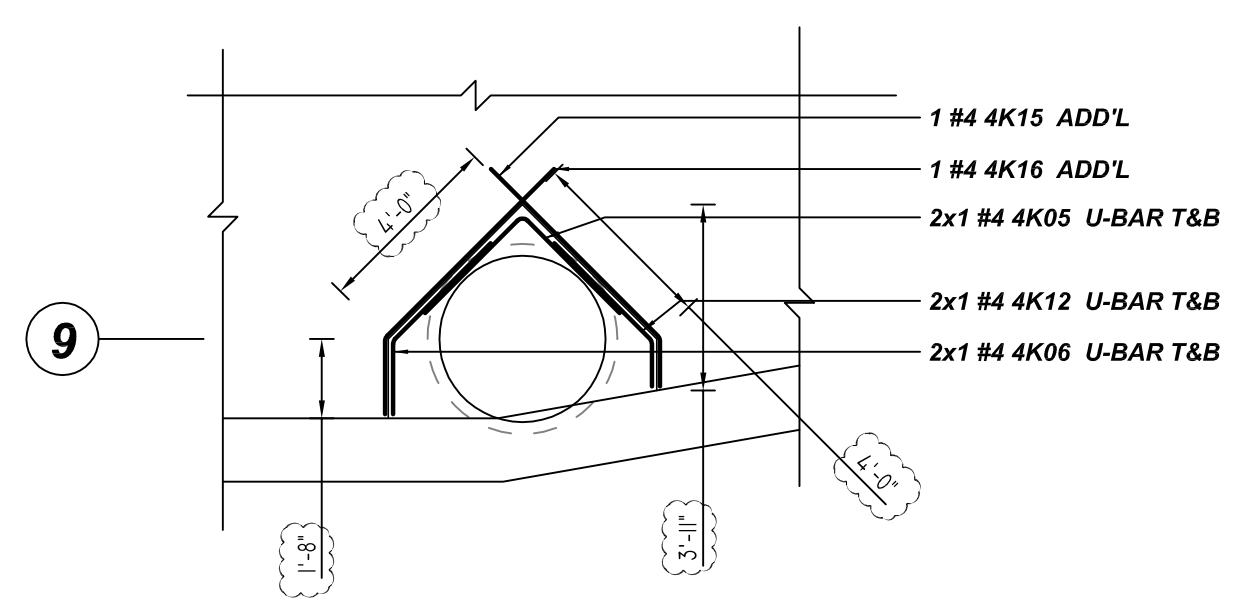
@ 2 LOCATIONS

BL1



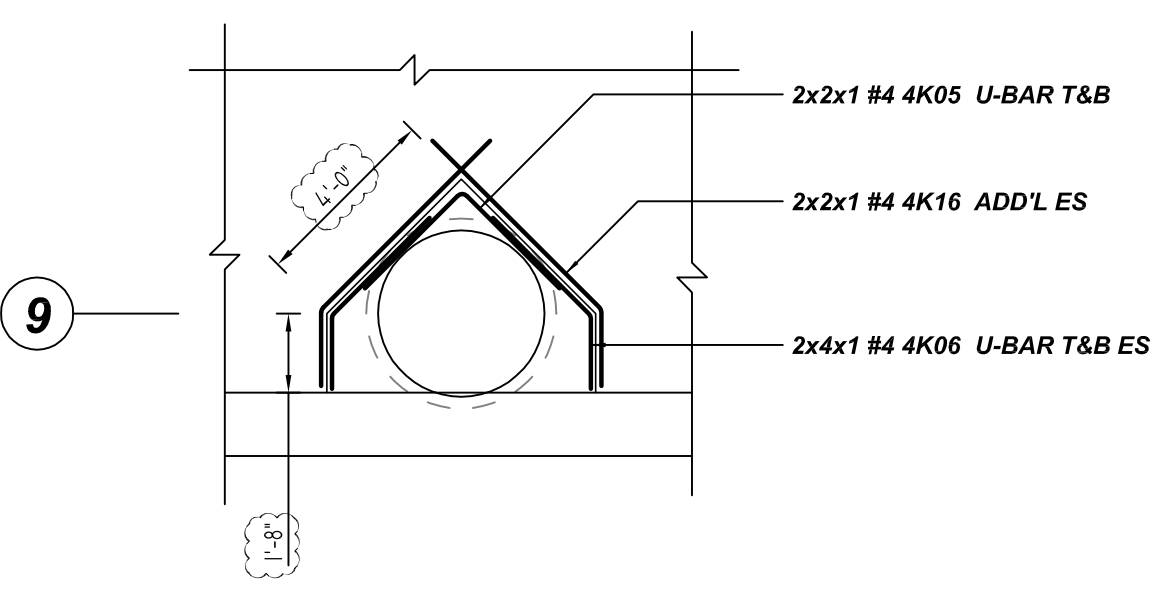
@ 2 LOCATIONS

BL2



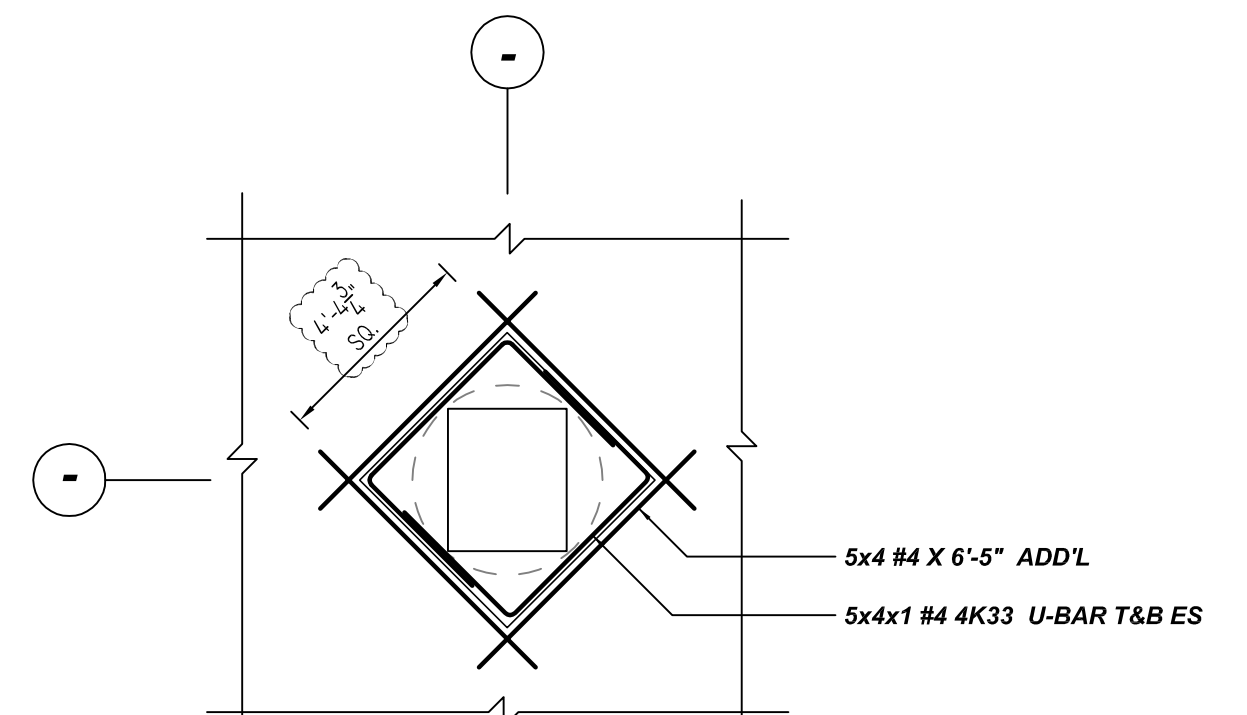
A/E PLEASE VERIFY BAR ARRANGEMENT (TYP.)

BL3



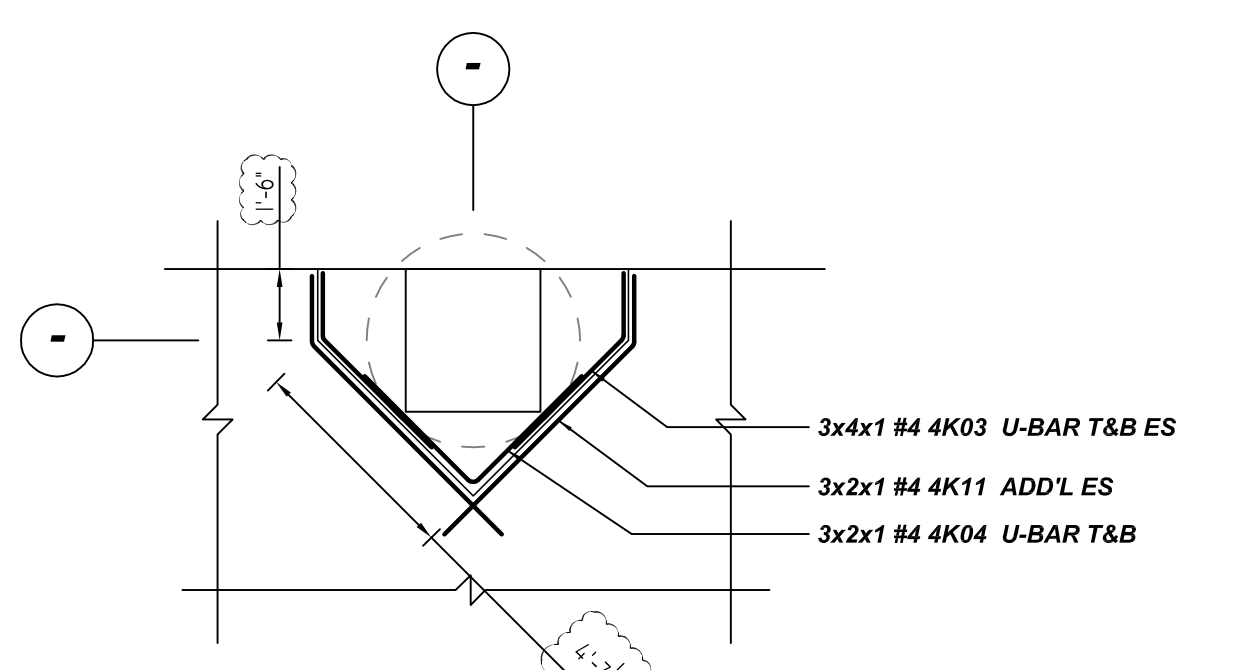
@ 2 LOCATIONS

BL4



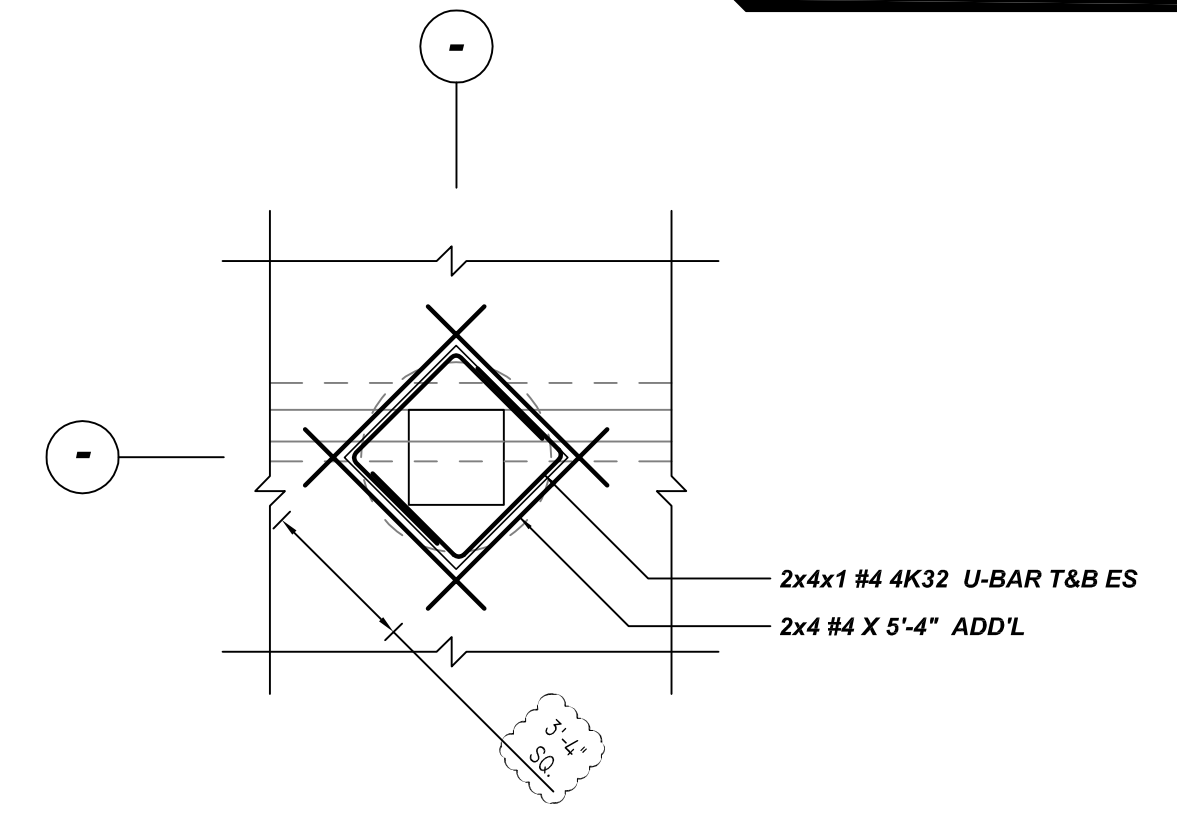
@ 5 LOCATIONS

BL5



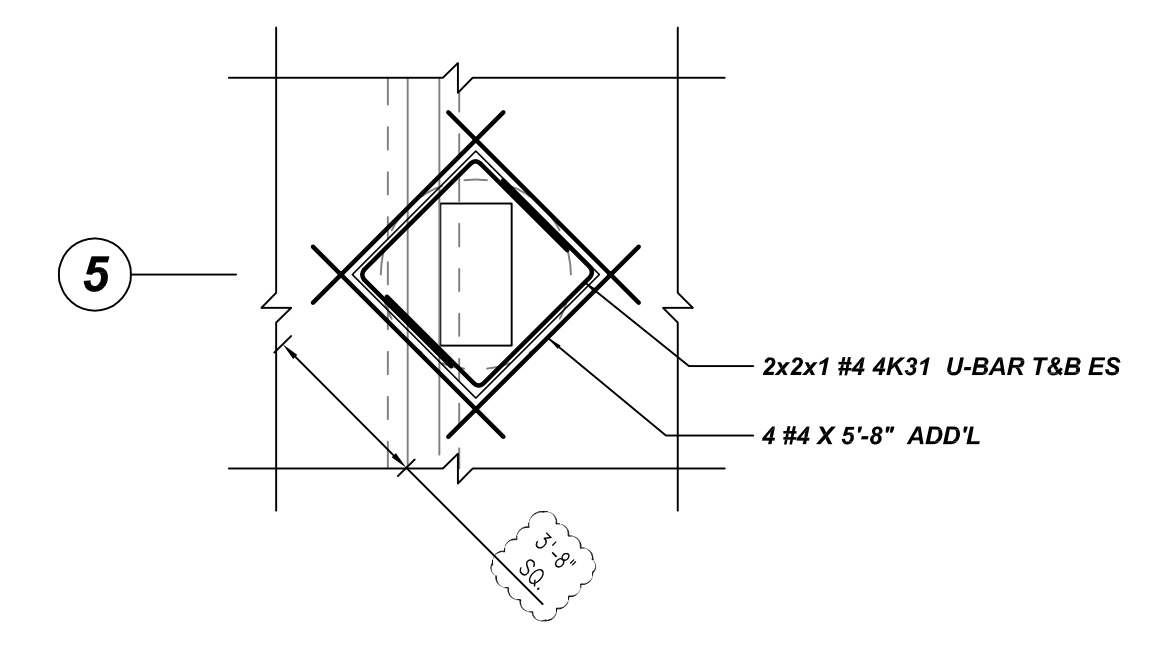
@ 3 LOCATIONS

BL6

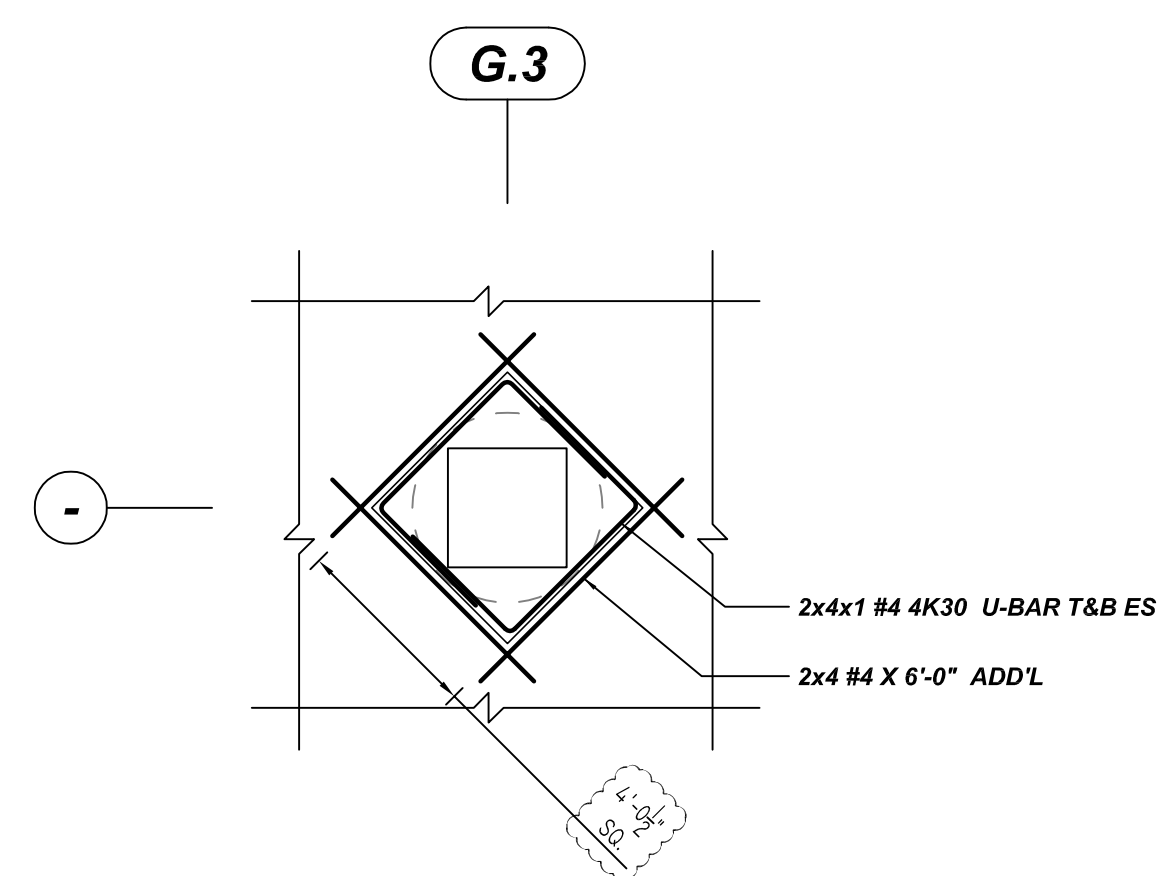


@ 2 LOCATIONS

BL7

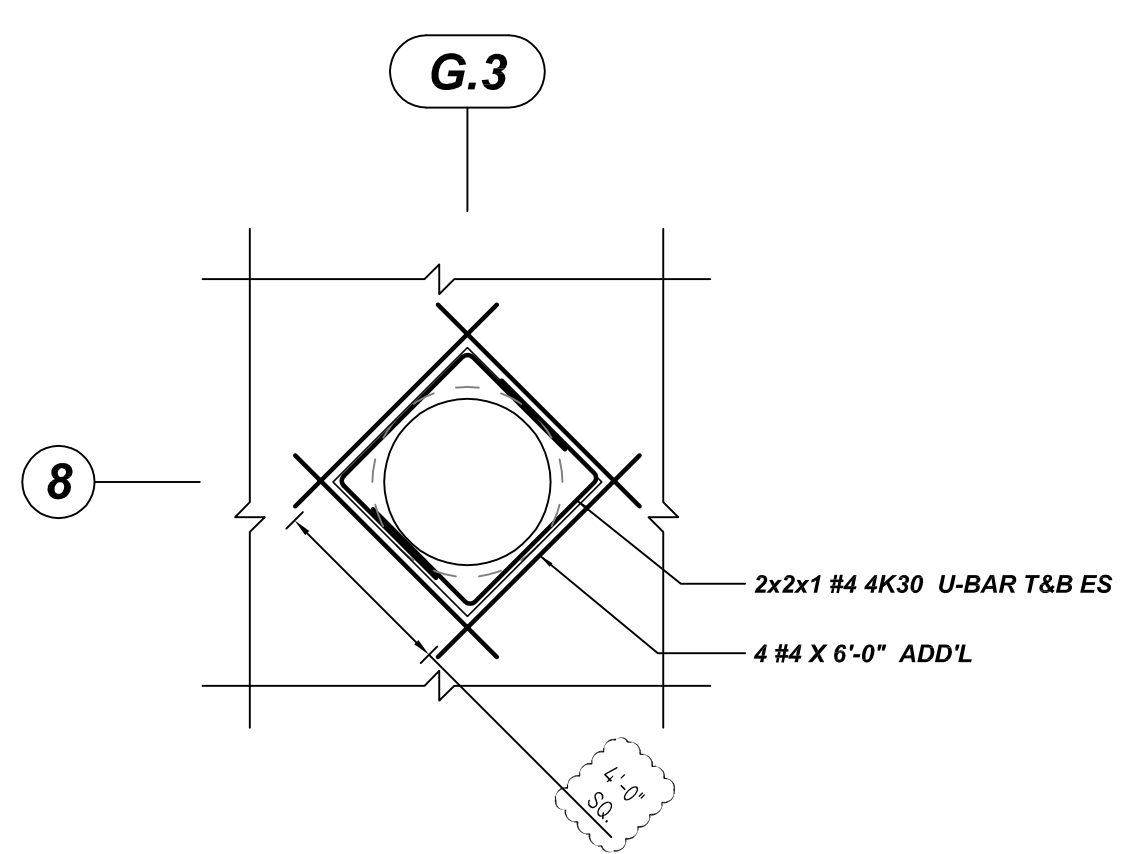


BL8

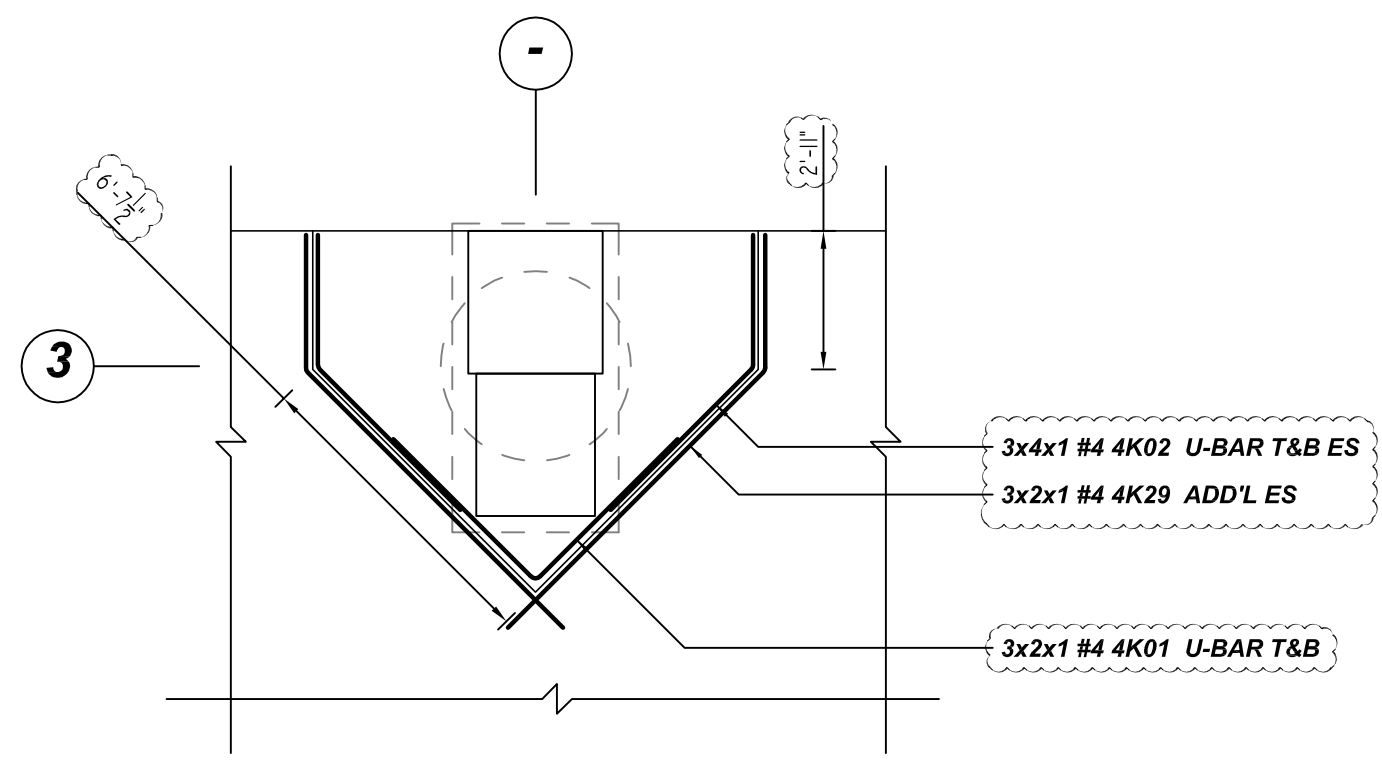


@ 2 LOCATIONS

BL9



BL10



@ 3 LOCATIONS

BL11

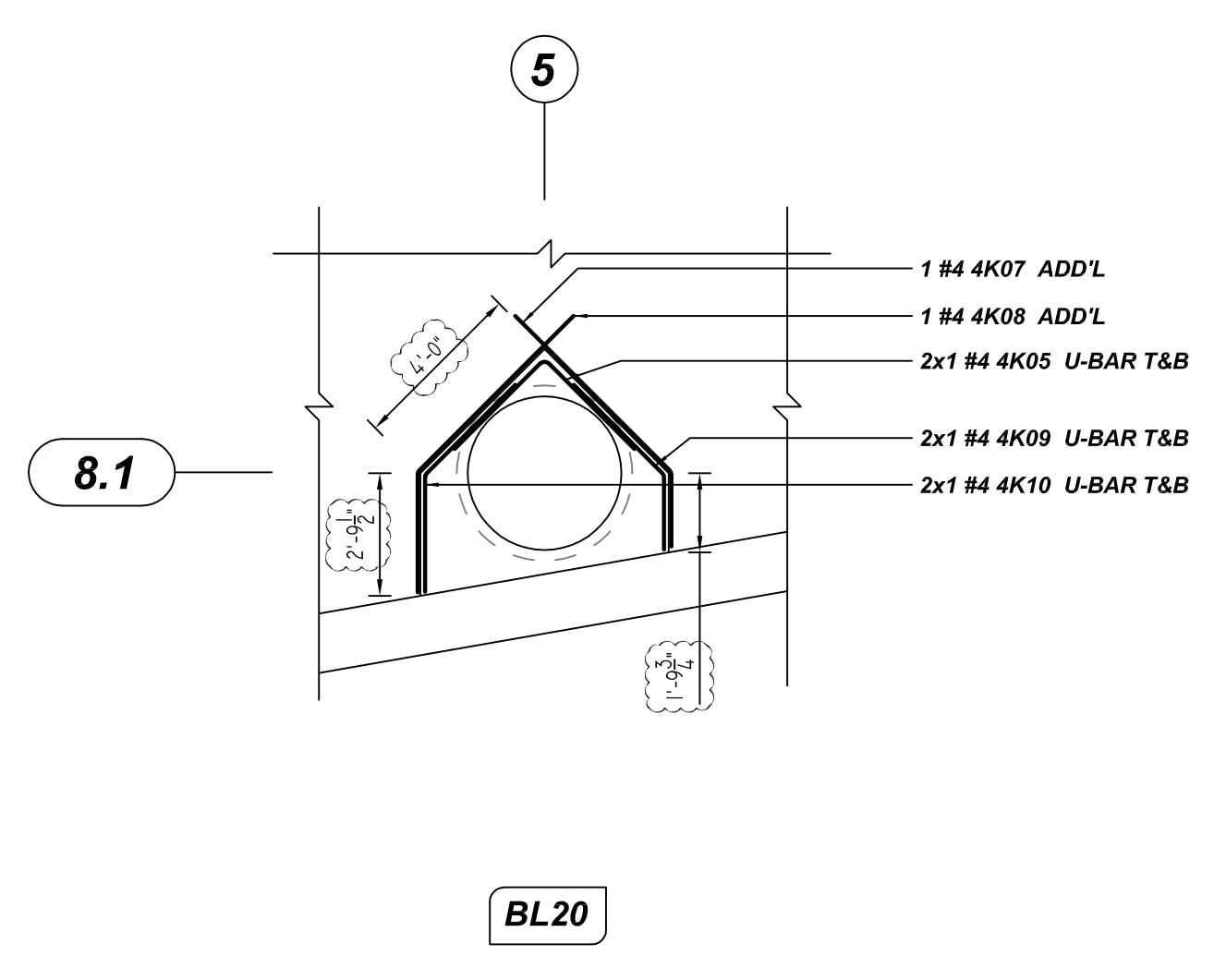
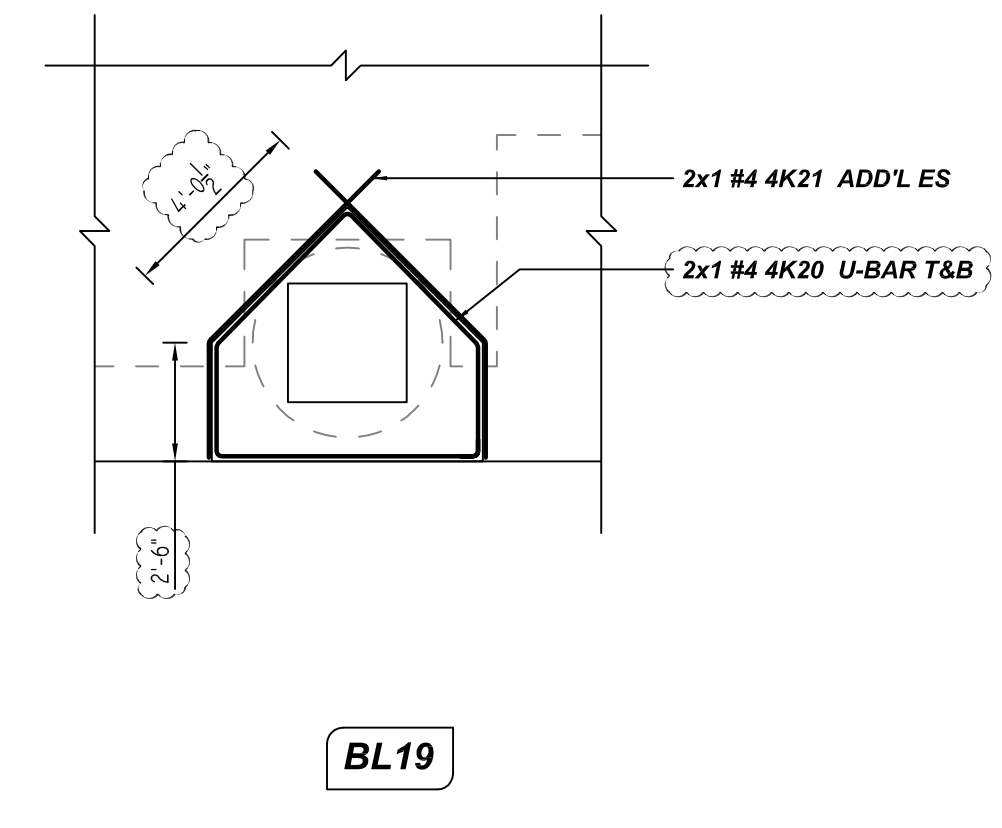
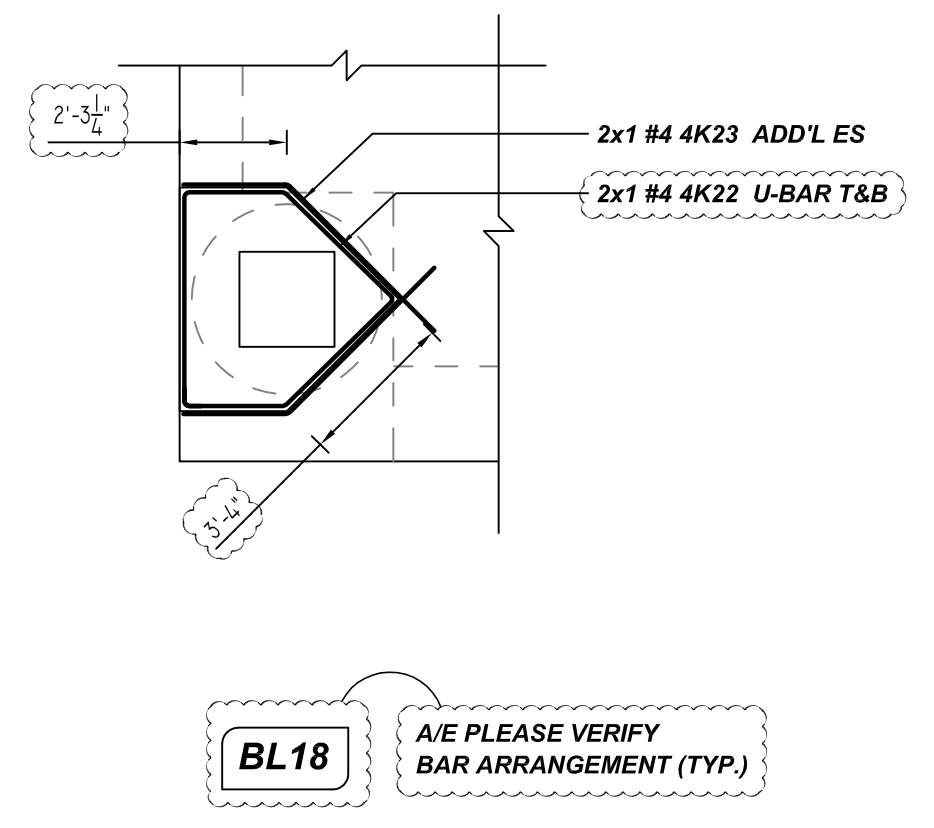
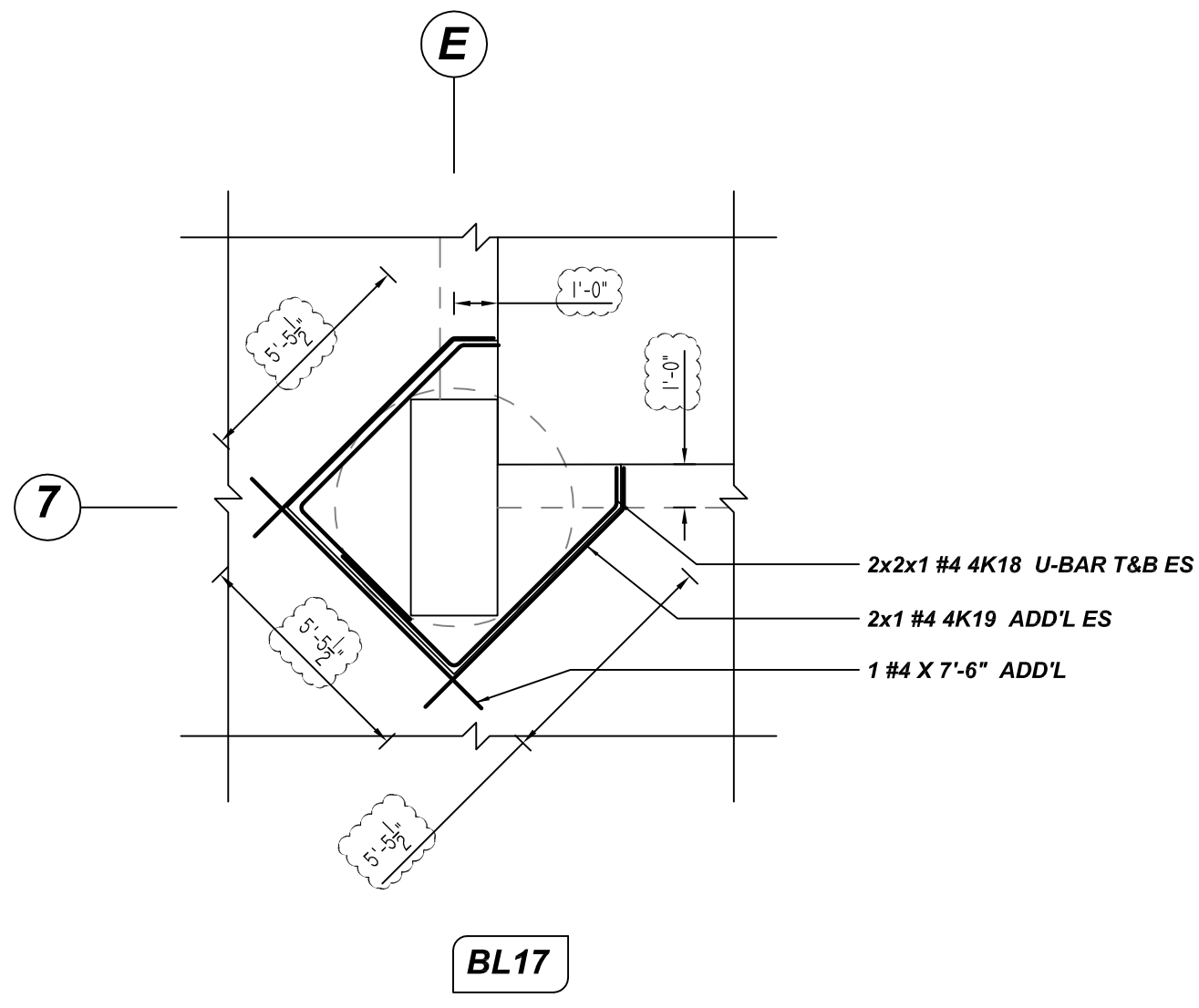
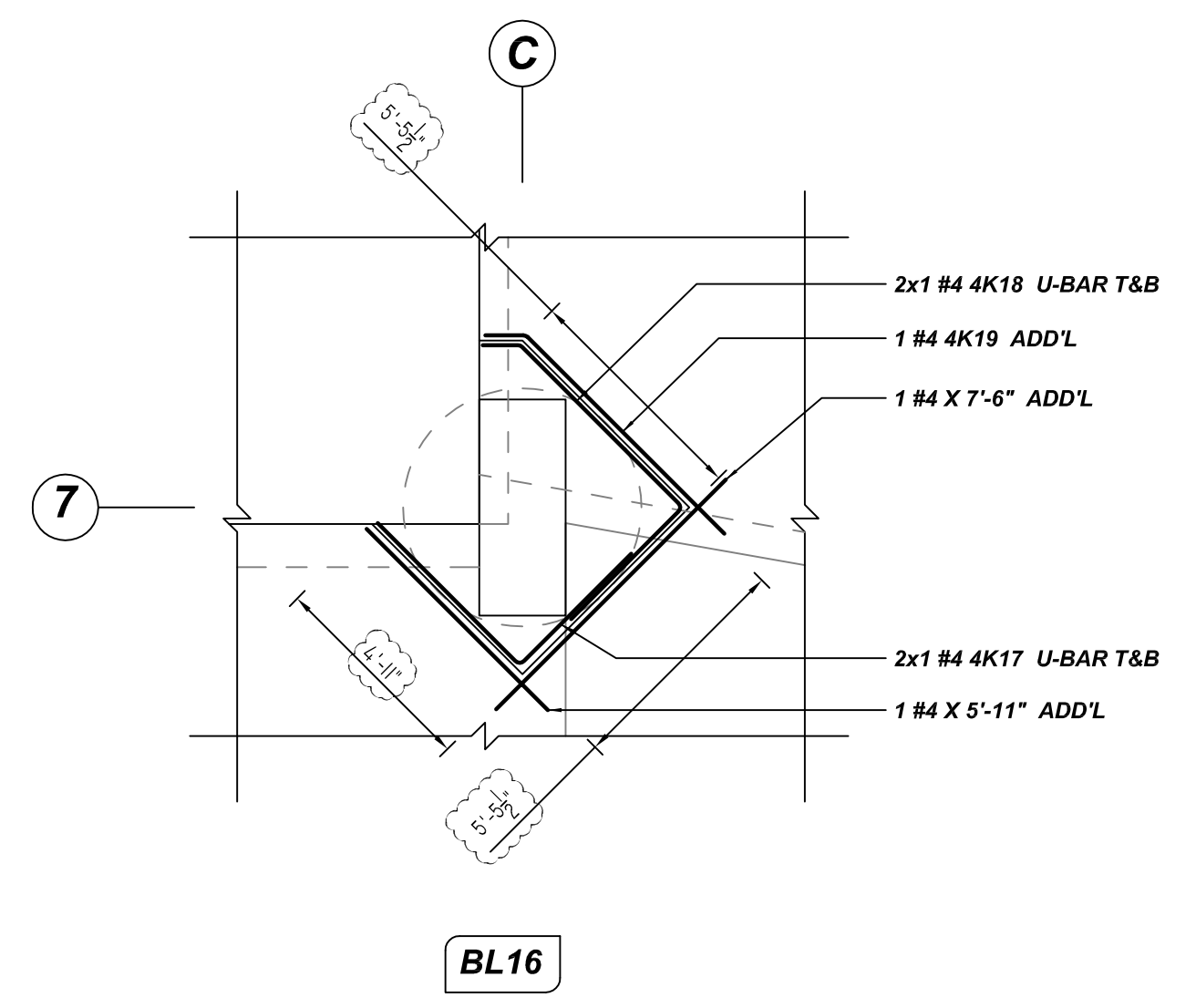
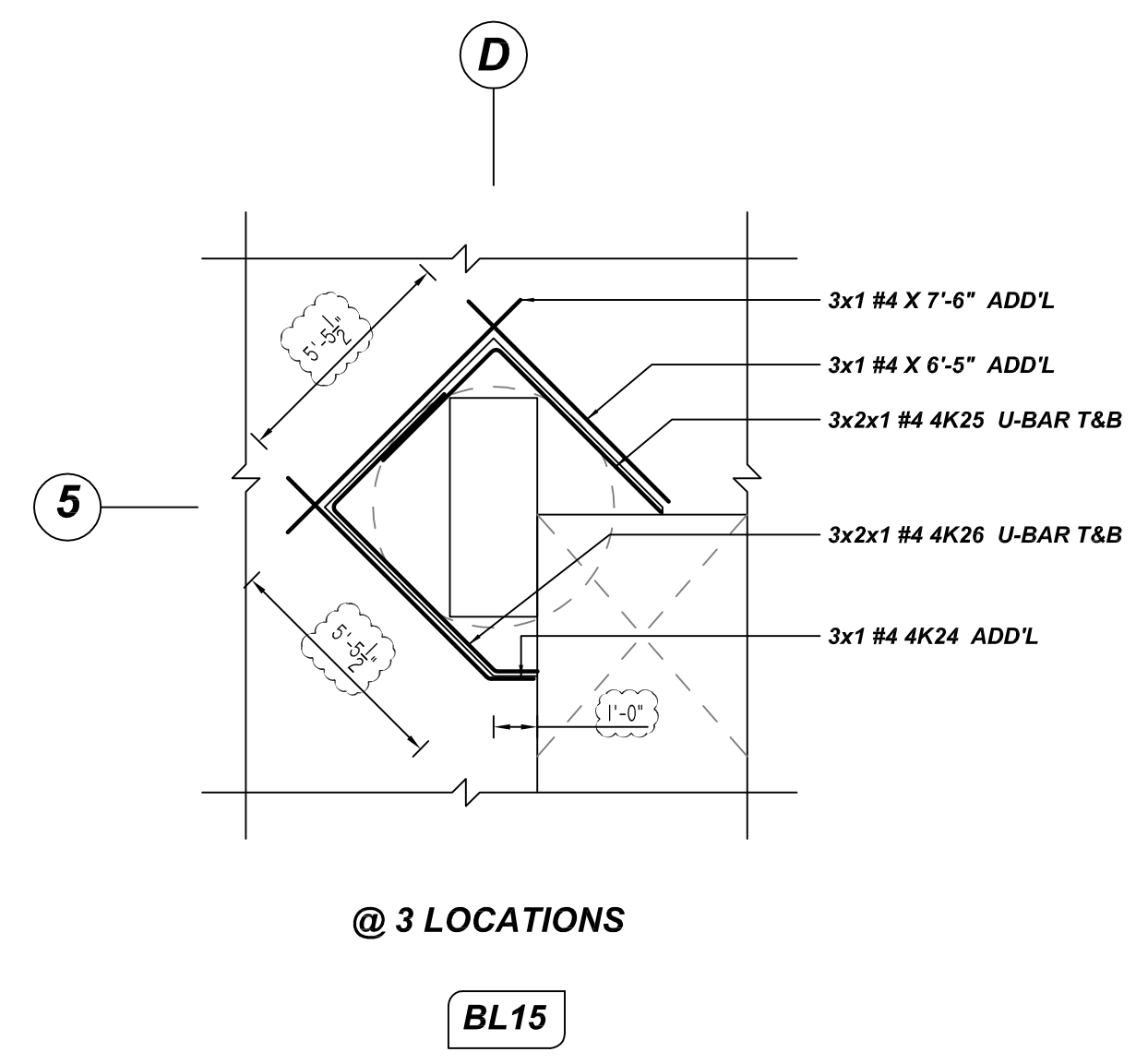
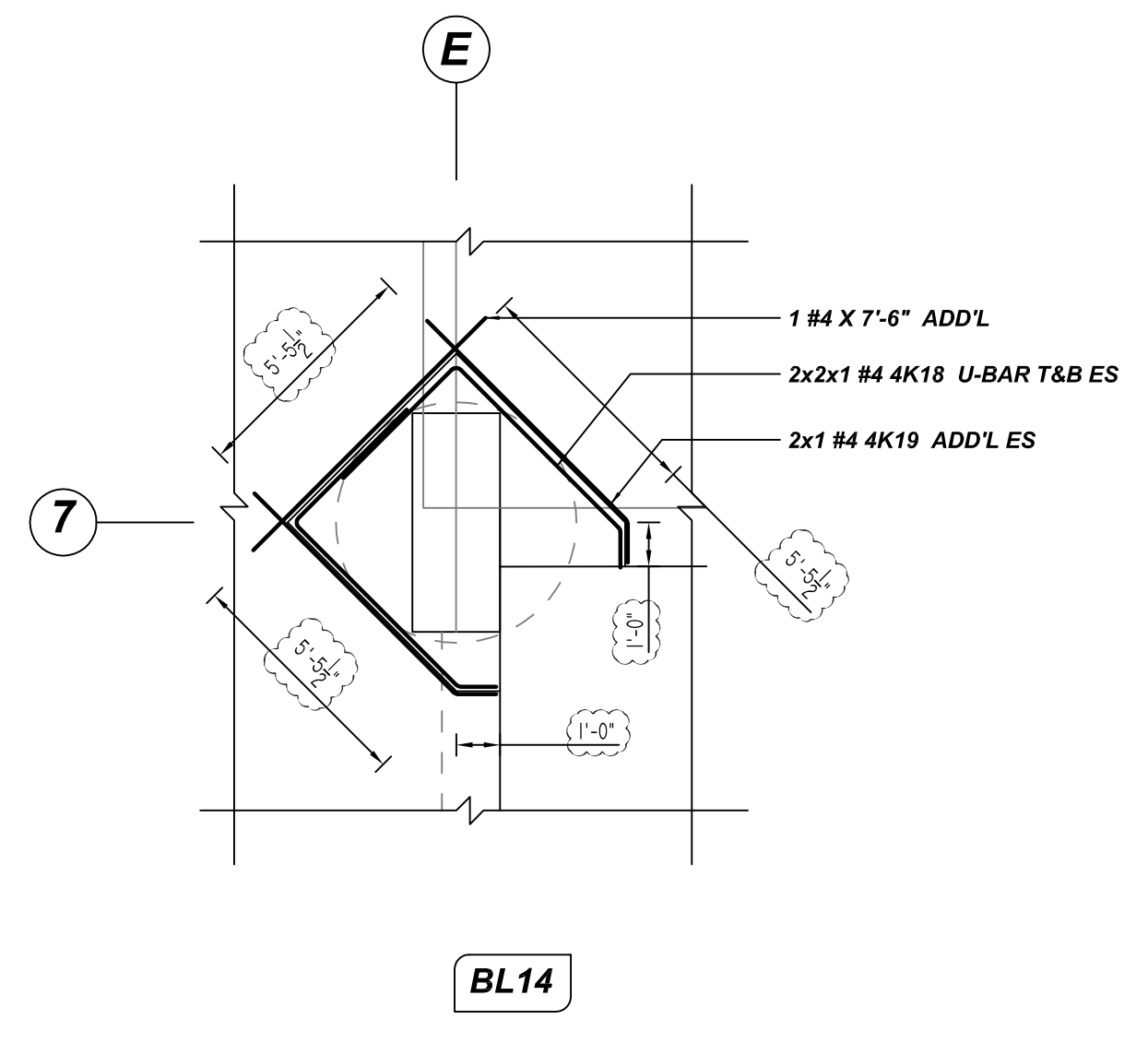
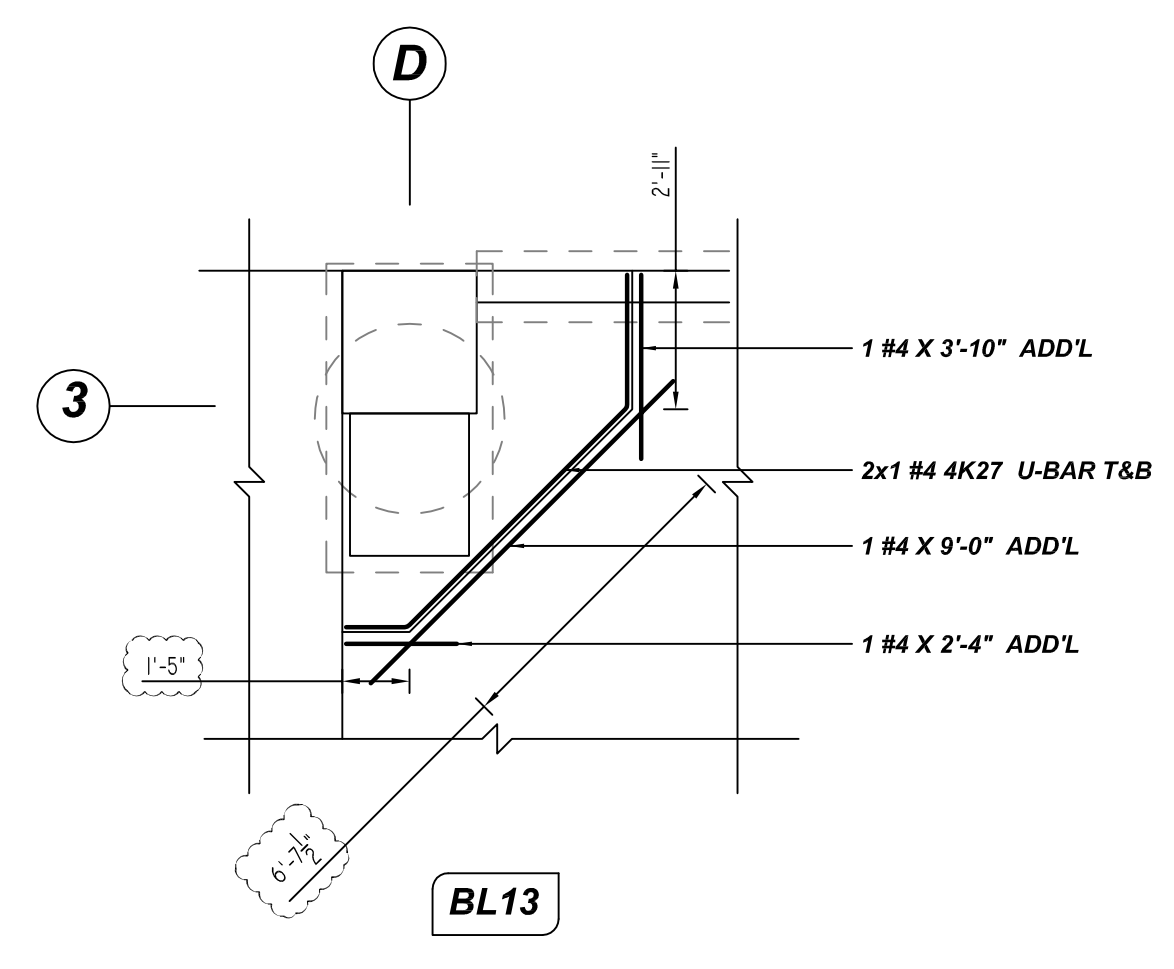
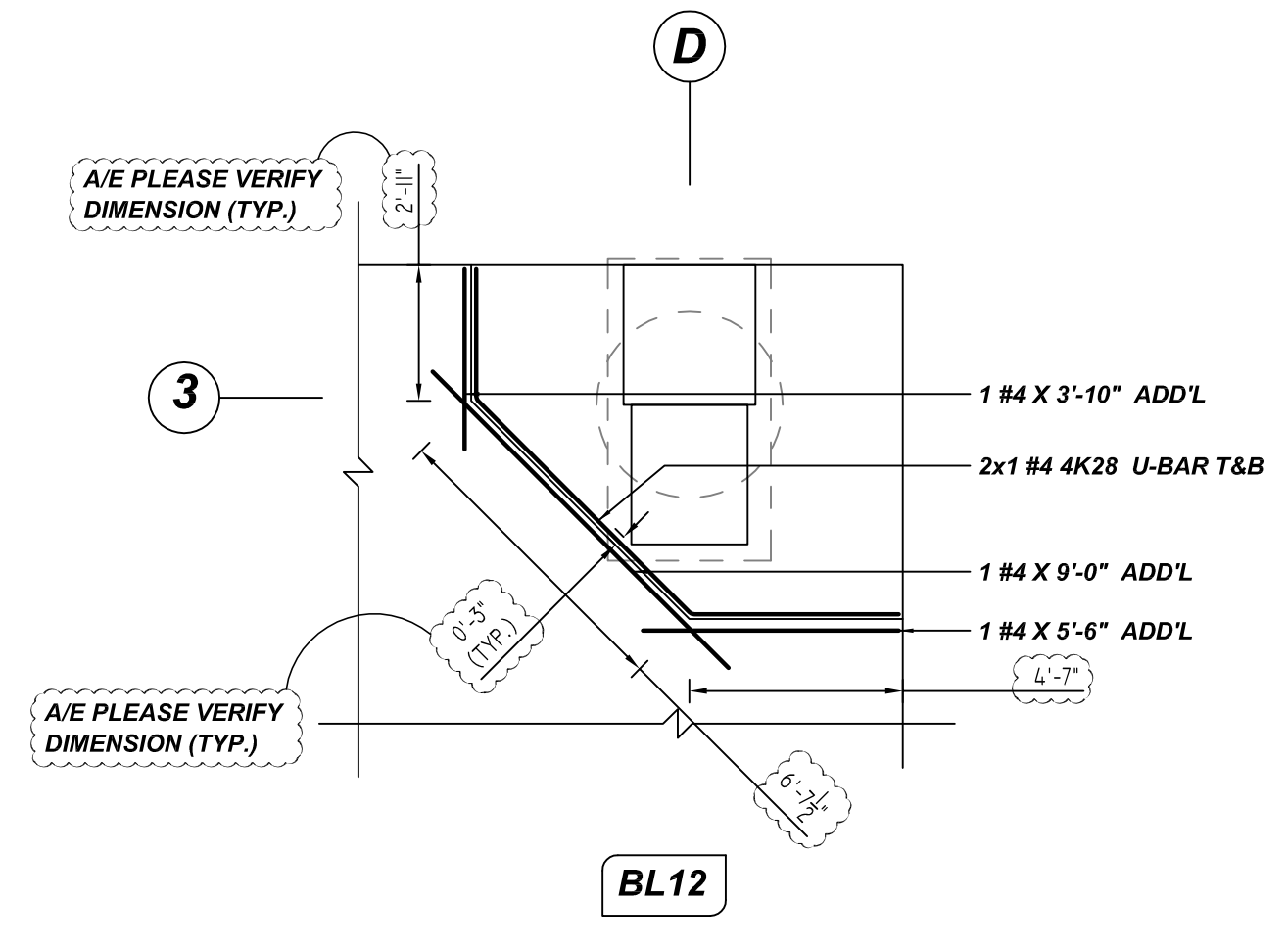
TYPICAL BLOCKOUT REINFORCEMENT DETAILS

REF: 1E/S3.01 (DT.11/19/21)
SCALE: 1/4" = 1'-0"

A/E PLEASE VERIFY BAR ARRANGEMENT (TYP.)

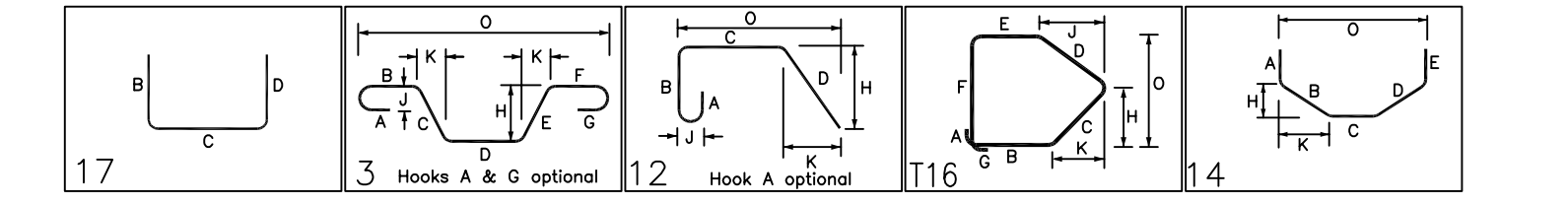
THE PLACING DRAWING IS D'AMBRA'S INTERPRETATION OF THE CONTRACT DRAWINGS. IT IS NOT INTENDED AS A STANDALONE DOCUMENT AND MUST ALWAYS BE USED IN CONJUNCTION WITH THE CONTRACT DRAWINGS.

SHEET TITLE: (SECTOR 1) SLAB ON GRADE BLOCKOUT REINFORCEMENT DETAILS			
PROJECT: HALL PARK D1			
LOCATION: FRISCO, TEXAS			
ISS.	BY.	DATE	DESCRIPTION
0	BCS	12/13/21	FOR APPROVAL
CUSTOMER: AUSTIN COMMERCIAL			
ENGINEER: BROCKETTE DAVIS DRAKE, INC.			
DETAILER:	JOB #	SHEET #	
BCS	21-030	R8.002	



Reinforcement Schedule Table (BENDING DETAILS)

Bar Mark	Qty	Size	Total Length	Type	X	Y	Z	V	E	T	U	W	V	X	Y
4K05	2	#4	5'-10"	T			2'-11"	2'-11"							
4K07	1	#4	6'-8"	S			1'-8"	5'-0"						3'-7"	3'-8"
4K08	1	#4	7'-9"	S			2'-9"	5'-0"						3'-7"	6'-3"
4K09	2	#4	4'-7"	S			1'-8"	2'-10"						2'-11"	3'-8"
4K10	2	#4	5'-6"	S			2'-8"	2'-10"						2'-11"	4'-8"
4K17	2	#4	6'-3"	T			4'-7"	3'-8"							
4K18	10	#4	9'-10"	T			3'-8"	5'-4"	0'-10"				0'-7"	0'-7"	5'-11"
4K19	3	#4	7'-4"	S			0'-11"	6'-5"					4'-7"	4'-8"	5'-3"
4K20	2	#4	10'-11"	T	0'-4"		2'-4"	3'-11"	2'-4"	5'-6"	0'-4"		2'-9"	2'-9"	5'-4"
4K21	2	#4	7'-5"	S			2'-5"	5'-0"					5'-7"	3'-6"	5'-11"
4K22	2	#4	16'-0"	T	0'-4"		2'-1"	3'-2"	3'-2"	2'-1"	4'-6"	0'-4"	2'-3"	2'-3"	4'-8"
4K23	2	#4	6'-6"	S			1'-0"	6'-5"					3'-1"	3'-0"	5'-3"
4K24	3	#4	7'-5"	S			1'-0"	6'-5"					4'-7"	4'-6"	5'-8"
4K25	8	#4	9'-0"	T			5'-4"	3'-8"							
4K26	6	#4	9'-11"	T			3'-8"	5'-4"	0'-11"				0'-8"	0'-7"	5'-11"
4K27	2	#4	10'-7"	T	1'-3"		6'-6"	2'-9"					4'-7"	4'-7"	7'-5"
4K28	2	#4	13'-9"	T	2'-9"		6'-6"	4'-5"					4'-7"	4'-7"	9'-11"



- 1. A/E PLEASE VERIFY THE ALL CLOUDED DIMENSIONS
- 2. A/E PLEASE VERIFY THE LAP VALUE WE FOLLOWED

#5 AND SMALLER BAR
ASTM A615 GRADE 60 BLACK UNCOATED

#6 AND GREATER BAR
ASTM A615 GRADE 80 BLACK UNCOATED

LAP SCHEDULE

5000 PSI (CLASS-B) CASE - 1
 Per ACI 318 (12.2.2)

BAR#	LENGTHS	
	TOP	OTHERS
#3	1'-10"	1'-5"
#4	2'-5"	1'-10"
#5	3'-0"	2'-4"
#6	3'-7"	2'-9"
#7	5'-3"	4'-1"
#8	6'-0"	4'-7"
#9	6'-9"	5'-3"
#10	7'-7"	5'-10"
#11	8'-5"	6'-6"

ALL TOP BARS ARE DEFINED AS HORIZ BARS WITH MORE THAN 12" OF CONCRETE BELOW BARS.

A/E PLEASE VERIFY LAP SCHEDULE (TYP.)

TYPICAL BLOCKOUT REINFORCEMENT DETAILS

REF: 1E/S3.01 (DT.11/19/21)
 SCALE: 1/4" = 1'-0"

A/E PLEASE VERIFY BAR ARRANGEMENT (TYP.)

THE PLACING DRAWING IS D'AMBRA'S INTERPRETATION OF THE CONTRACT DRAWINGS. IT IS NOT INTENDED AS A STANDALONE DOCUMENT AND MUST ALWAYS BE USED IN CONJUNCTION WITH THE CONTRACT DRAWINGS.

SHEET TITLE: (SECTOR 1) SLAB ON GRADE BLOCKOUT REINFORCEMENT DETAILS			
PROJECT: HALL PARK D1			
LOCATION: FRISCO, TEXAS			
ISS.	BY.	DATE	DESCRIPTION
0	BCS	12/13/21	FOR APPROVAL
CUSTOMER: AUSTIN COMMERCIAL			
ENGINEER: BROCKETTE DAVIS DRAKE, INC.			
DETAILER:	JOB #	SHEET #	
BCS	21-030	R8.003	

