

TYPICAL REINFORCING BAR CLEARANCE TABLE	
LOCATION	MIN. COVER
CONCRETE PLACED AGAINST EARTH	3" CLR
FORMED CONCRETE EXPOSED TO EARTH	2" CLR
SLAB ON GRADE TOP & BOTTOM	2" CLR
SLAB TOP & BOTTOM	2" CLR
BEAM ALL SIDES	2" CLR
INTERIOR FACES OF WALL	2" CLR
COLUMNS OR PIERS (MAIN REINFORCEMENT)	2" CLR

LD SCHEDULE			LAP SCHEDULE		
SIZE	5000 PSI		SIZE	5000 PSI	
	TOP	OTHERS		TOP	OTHERS
#3	1'-5"	1'-1"	#3	1'-4"	1'-5"
#4	1'-11"	1'-5"	#4	2'-6"	1'-11"
#5	2'-4"	1'-10"	#5	3'-1"	2'-4"
#6	2'-10"	2'-2"	#6	3'-9"	2'-10"
#7	4'-1"	3'-2"	#7	5'-4"	4'-1"
#8	4'-8"	3'-6"	#8	6'-1"	4'-8"
#9	5'-3"	4'-0"	#9	6'-10"	5'-3"
#10	5'-11"	4'-6"	#10	7'-9"	5'-11"

ALL BARS IN THIS DRAWING
ASTM A615 GRADE 60 BLACK UNCOATED
EXCEPT (E) MENTIONED ARE EPOXY COATED
ASTM A615 GRADE 60E

SHEAR WALL SCHEDULE-FTG			
SHEAR WALL ID	WALL THICKNESS	VERTICAL REINFORCEMENT	HORIZONTAL REINFORCEMENT
SW-1.1	12"	#7 @ 12"	#5 @ 9"
SW-1.2	12"	#5 @ 9"	#5 @ 6"
SW-1.3	16"	#5 @ 12"	#5 @ 4"
SW-1.4	12"	#4 @ 12"	#4 @ 12"
SW-1.5	8"	#4 @ 12"	#4 @ 12"
SW-1.6	12"	#4 @ 12"	#4 @ 12"
SW-1.7	12"	#4 @ 8"	#5 @ 6"
SW-1.8	12"	#4 @ 12"	#4 @ 9"
SW-1.9	12"	#4 @ 9"	#5 @ 6"
SW-2.1	14"	#7 @ 12"	#5 @ 9"
SW-2.2	14"	#6 @ 6"	#6 @ 9"
SW-2.3	14"	#7 @ 12"	#7 @ 5"
SW-3.1	12"	#5 @ 6"	#5 @ 10"
SW-3.2	12"	#5 @ 10"	#5 @ 4"
SW-3.3	12"	#4 @ 12"	#5 @ 12"
SW-3.4	12"	#7 @ 12"	#6 @ 6"
SW-4.1	14"	#7 @ 12"	#6 @ 6"
SW-4.2	14"	#5 @ 6"	#5 @ 9"
SW-4.3	14"	#7 @ 12"	#7 @ 5"
SW-5.1	12"	#5 @ 12"	#4 @ 10"
SW-5.2	12"	#5 @ 12"	#4 @ 10"
SW-6.1	12"	#5 @ 12"	#4 @ 10"
SW-6.2	12"	#5 @ 12"	#4 @ 10"

FOUNDATION REINFORCEMENT DETAILS
SCALE - 1/8"=1'-0"
REF: FO-101

FOOTING & RETAINING WALL SCHEDULE													
WALL MARK	FOOTING THICK, FT	FOOTING WIDTH, FW	FOOTING MARK	STEM THICK, ST	HEEL WIDTH, W	TOE WIDTH, W	BARS "VB"	BARS "VO"	BARS "H"	BARS "TT"	BARS "TL"	BARS "BT"	REMARKS
RW-1	14"	8'-0"	SF-1	12"	5'-0"	2'-0"	#9 @ 18"	#9 @ 18"	#5 @ 12"	#9 @ 12"	6-#5	#9 @ 12"	6-#5
RW-1.1	14"	3'-0"	SF-1.1	12"	1'-0"	1'-0"	#5 @ 18"	#5 @ 18"	#5 @ 12"	3-#5	#5 @ 12"	3-#5	-
RW-2	18"	5'-0"	SF-2	12"	3'-0"	1'-0"	#7 @ 18"	#7 @ 18"	#5 @ 12"	4-#5	#5 @ 12"	4-#5	-
RW-3	16"	5'-8"	SF-3	14"	3'-5"	1'-0"	#7 @ 18"	#7 @ 18"	#5 @ 12"	4-#5	#7 @ 12"	4-#5	-
RW-4	18"	4'-0"	SF-4	12"	2'-0"	1'-0"	#9 @ 18"	#9 @ 18"	#5 @ 12"	4-#5	#5 @ 12"	4-#5	-
RW-5	-	SEE PLAN	-	16"	-	-	-	-	-	-	-	-	SUPPORTED BY BMRI-6
RW-6.1	-	SEE PLAN	M-6	24"	-	-	#9 @ 10"	#9 @ 10"	#5 @ 18"	-	-	-	MAT FTG
RW-6.2	-	SEE PLAN	M-6	22"	-	-	#9 @ 8"	#9 @ 8"	#5 @ 18"	-	-	-	MAT FTG
RW-7	-	SEE PLAN	-	14"	-	-	-	-	-	-	-	-	SUPPORTED BY BMRI-5
RW-8.1	24"	8'-4"	SF-8.1	16"	7'-0"	-	#9 @ 16"	#9 @ 16"	#5 @ 18"	#10 @ 12"	6-#6	#10 @ 12"	6-#6
RW-8.2	24"	8'-10"	SF-8.2	16"	5'-6"	2'-0"	#9 @ 16"	#9 @ 16"	#5 @ 18"	#9 @ 16"	6-#6	#9 @ 16"	6-#6
RW-9.1	18"	10'-4"	SF-9.1	12"	9'-4"	-	#6 @ 10"	#6 @ 10"	#4 @ 10"	#6 @ 6"	#5 @ 10"	#6 @ 10"	-
RW-9.2	18"	10'-4"	SF-9.2	14"	7'-4"	1'-10"	#6 @ 6"	#6 @ 10"	#4 @ 10"	#6 @ 10"	#6 @ 10"	#6 @ 10"	-
RW-10	18"	9'-0"	SF-10	12"	4'-2"	-	#6 @ 10"	#6 @ 6"	#4 @ 10"	#6 @ 6"	#6 @ 10"	#6 @ 10"	-
RW-11	24"	9'-9 1/2"	SF-11	12"	4'-0"	-	#6 @ 10"	#6 @ 6"	#4 @ 10"	#6 @ 6"	#6 @ 10"	#6 @ 10"	-
RW-12	18"	5'-11 1/4"	SF-10	12"	4'-2"	-	#6 @ 10"	#6 @ 6"	#4 @ 10"	#6 @ 6"	#6 @ 10"	#6 @ 10"	-

LEGEND:
BARS "VB" - DENOTES VERTICAL REINFORCEMENT AT BATTER FACE
BARS "VO" - DENOTES VERTICAL REINFORCEMENT AT OPPOSITE FACE
BARS "H" - DENOTES HORIZONTAL REINFORCEMENT EACH FACE
BARS "TT" - DENOTES TOP TRANSVERSAL REINFORCEMENT IN FOOTING
BARS "TL" - DENOTES TOP LONGITUDINAL REINFORCEMENT IN FOOTING
BARS "BT" - DENOTES BOTTOM TRANSVERSAL REINFORCEMENT IN FOOTING
BARS "BL" - DENOTES BOTTOM LONGITUDINAL REINFORCEMENT IN FOOTING

GRADE BEAM SCHEDULE						
MARK	WIDTH "W"	DEPTH "D"	TOP REINFORCING	BOTTOM REINFORCING	SHEAR REINFORCING	REMARKS
GB-1	48"	24"	12-#7	12-#7	2-#4 @ 12"	TOP & BOTTOM BARS TO BE CONTINUOUS OVER SUPPORT. PROVIDE 1-#6 SKIN REINFORCEMENT EA. FACE AT MID-DEPTH.
GB-2	48"	24"	8-#7	8-#7	3-#4 @ 10"	

STRAP BEAM SCHEDULE								
MARK	WIDTH "W"	DEPTH "D"	"TL"	"BL"	"TT"	"BT"	"VS"	REMARKS
SB-1	86"	24"	#7 @ 6"	#7 @ 8"	#7 @ 8"	#7 @ 8"	2 LEGS #5 @ 12"	FOR ADDITIONAL REINFORCEMENT - SEE PLAN. PROVIDE 1-#6 SKIN REINFORCEMENT EA. FACE AT MID-DEPTH.
SB-2	86"	24"	#7 @ 6"	#7 @ 8"	#7 @ 8"	#7 @ 8"	2 LEGS #5 @ 12"	

LEGEND:
"TL" - INDICATES TYPICAL TOP LONGITUDINAL REINFORCEMENT
"BL" - INDICATES TYPICAL BOTTOM LONGITUDINAL REINFORCEMENT
"TT" - INDICATES TYPICAL TOP TRANSVERSAL REINFORCEMENT
"BT" - INDICATES TYPICAL BOTTOM TRANSVERSAL REINFORCEMENT
"VS" - INDICATES TYPICAL SHEAR REINFORCEMENT

FOR COLUMN SCHEDULE AND REIN. DETAILS REFER S-301

Abbreviations:
I.F.=Inside Face
O.F.=Outside Face
E.F.=Each Face
DWL=Dowel
V=Vertical
H=Horizontal
C.B.=Corner Bar
S.DWL=Slab Dowel
E.W.=Each Way
B/BOT=Bottom
T=Top
MDWL=Masonry Dowel
B.B.=Bond Beam
ALT.=Alternate
Approx.=Approximate

OPNG=Opening
BAL.=Balance
BTW=Between
CJ=Construction Joint
CLR.=CLEARANCE
CMU=Concrete Masonry Unit
CONT.=Continuous
EA.=Each
Elev.=Elevation
EMB=Embedment
SW=Short Way
LW=Long Way
(BL)=Black Bar
(EP)=Epoxy Bar
(GA)=Galvanized

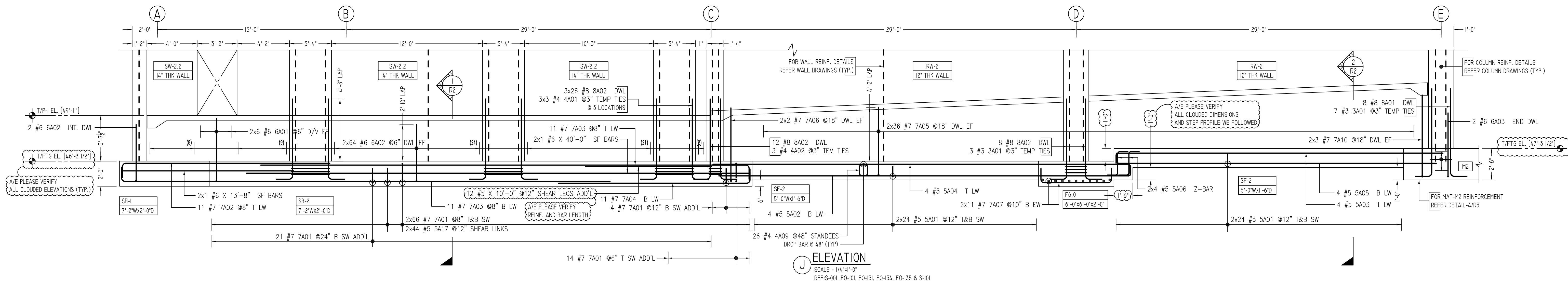
NOTICE

Shortages, improper fabrication or claims for any other reason must be reported to this company within a period of 15 days of delivery. This company reserves the right to field inspect prior to replacement or reconditioning of nonconforming material, and will not honor charges for work done in the field without specific authorization from this company.

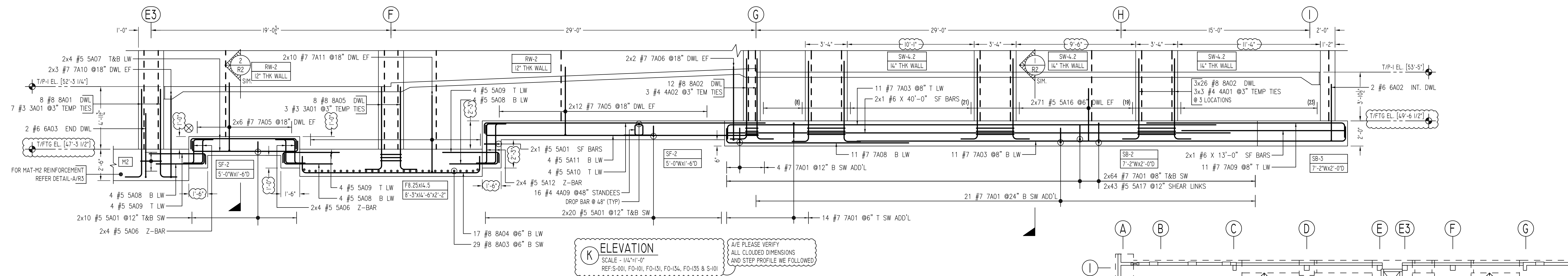
REINFORCING STEEL PLACING DRAWINGS ONLY USE IN CONJUNCTION WITH CONTRACT DRAWINGS & SPECIFICATIONS. ELEVATIONS & DIMENSIONS SHOWN ON THIS DRAWING ARE FOR DETAILING PURPOSES ONLY AND SHOULD NOT BE USED FOR CONSTRUCTION UNLESS VERIFIED BY ENGINEER OR CONTRACTOR.

REVISION MARK	REVISION DETAILS	DATE
0	FOR APPROVAL	01/05/2021

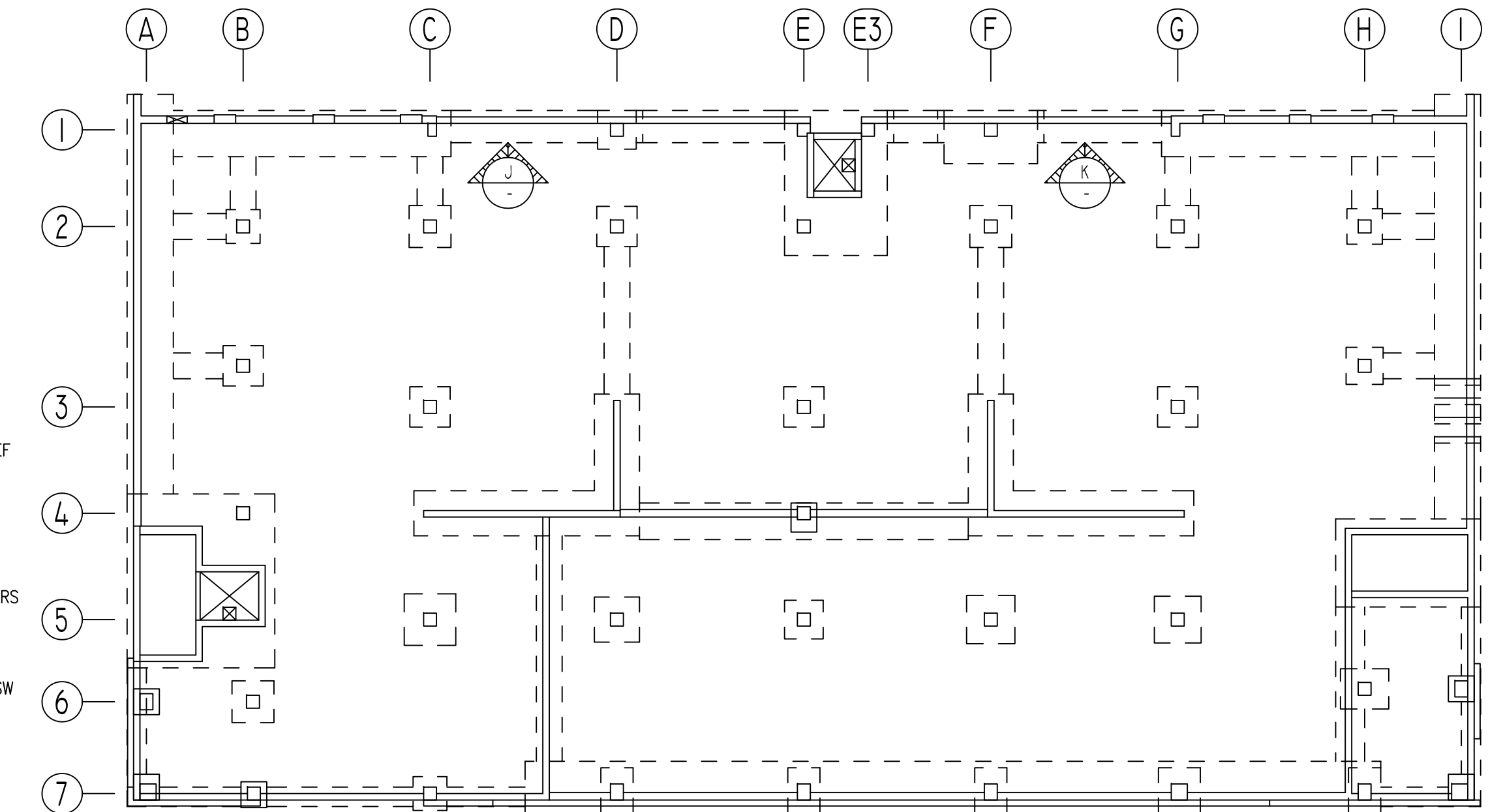
PROJECT	PEEKSKILL PARKING BUILDING
LOCATION	645 MAIN STREET, PEEKSKILL NY 10556
ARCHITECT	L&M DESIGN LLC
ENGINEER	BUREHRING
CUSTOMER	JODI/SISCA
DRAWN BY:	NSS/MRS
DATE:	01/05/21
REVIEWED BY:	T/L
JOB NO.	21001
DRAWING TITLE:	FOUNDATION AND DOWEL REINFORCEMENT DETAILS
DRAWING NO.:	R01



ELEVATION J
SCALE - 1/4"=1'-0"
REF: S-001, F0-101, F0-131, F0-134, F0-135 & S-101



ELEVATION K
SCALE - 1/4"=1'-0"
REF: S-001, F0-101, F0-131, F0-134, F0-135 & S-101



KEY PLAN
SCALE - 1/8"=1'-0"
REF: F0-101

TYPICAL REINFORCING BAR CLEARANCE TABLE

LOCATION	MIN. COVER
CONCRETE PLACED AGAINST EARTH	3" CLR
FORMED CONCRETE EXPOSED TO EARTH	2" CLR
SLAB ON GRADE TOP & BOTTOM	2" CLR
SLAB TOP & BOTTOM	2" CLR
BEAM ALL SIDES	2" CLR
INTERIOR FACES OF WALL	2" CLR
COLUMNS OR PIERS (MAIN REINFORCEMENT)	2" CLR

LD SCHEDULE

SIZE	5000 PSI	
	TOP	OTHERS
#3	1'-5"	1'-1"
#4	1'-11"	1'-5"
#5	2'-4"	1'-10"
#6	2'-10"	2'-2"
#7	4'-1"	3'-2"
#8	4'-8"	3'-6"
#9	5'-3"	4'-0"
#10	5'-11"	4'-6"

LAP SCHEDULE

SIZE	5000 PSI	
	TOP	OTHERS
#3	1'-11"	1'-5"
#4	2'-6"	1'-11"
#5	3'-1"	2'-4"
#6	3'-9"	2'-10"
#7	5'-4"	4'-1"
#8	6'-1"	4'-8"
#9	6'-10"	5'-3"
#10	7'-9"	5'-11"

**ALL BARS IN THIS DRAWING
ASTM A615 GRADE 60
BLACK UNCOATED**

STRAP BEAM SCHEDULE

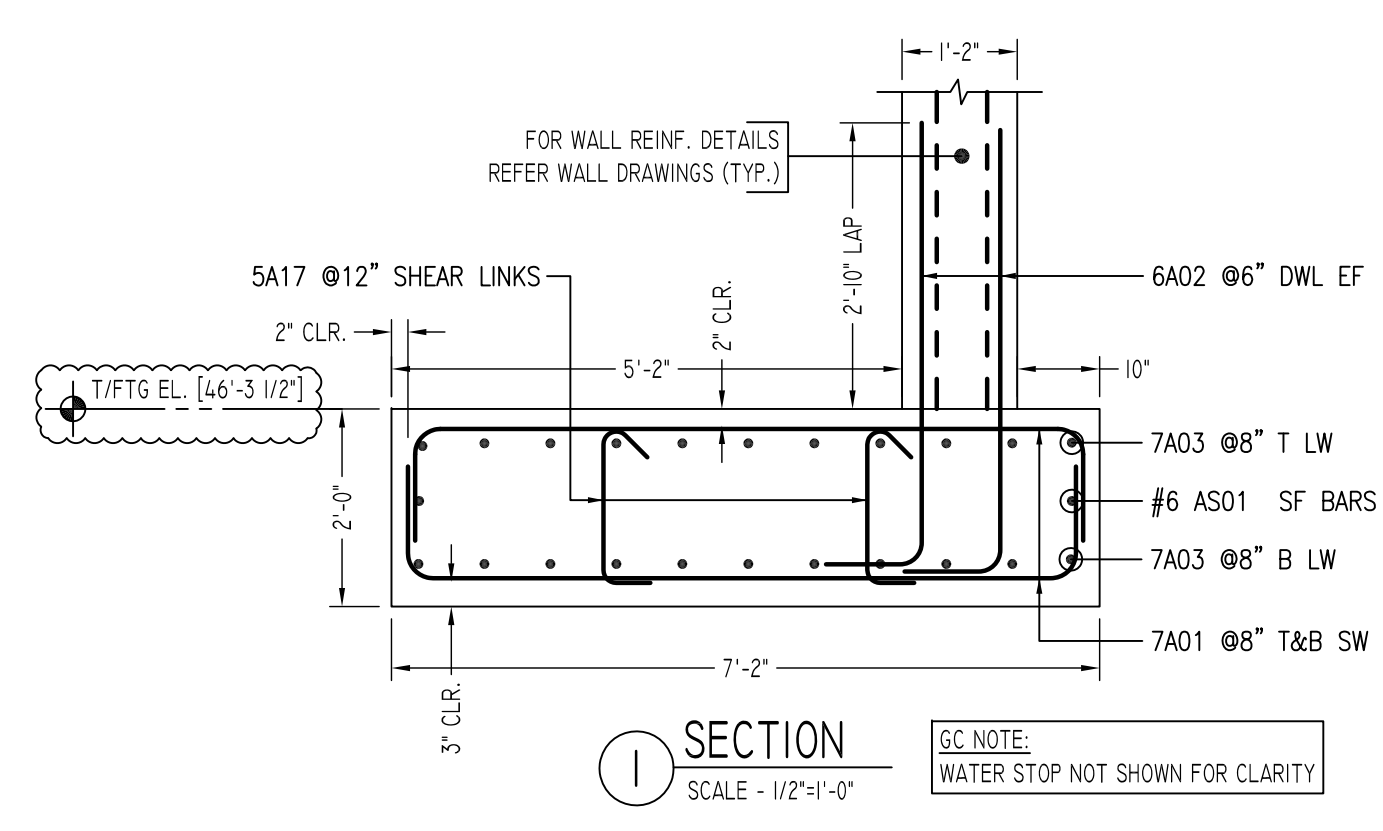
MARK	WIDTH 'W'	DEPTH 'D'	'TL'	'BL'	'TT'	'BT'	'VS'	REMARKS
SB-1	86"	24"	#7 @8"	#7 @8"	#7 @8"	#7 @8"	2 LEGS #5 @12"	FOR ADDITIONAL REINFORCEMENT - SEE PLAN. PROVIDE 1-#6 SKIN REINFORCEMENT EA. FACE AT MID-DEPTH.
SB-2	86"	24"	#7 @8"	#7 @8"	#7 @8"	#7 @8"	2 LEGS #5 @12"	

LEGEND:
'TL' - INDICATES TYPICAL TOP LONGITUDINAL REINFORCEMENT
'BL' - INDICATES TYPICAL BOTTOM LONGITUDINAL REINFORCEMENT
'TT' - INDICATES TYPICAL TOP TRANSVERSAL REINFORCEMENT
'BT' - INDICATES TYPICAL BOTTOM TRANSVERSAL REINFORCEMENT
'VS' - INDICATES TYPICAL SHEAR REINFORCEMENT

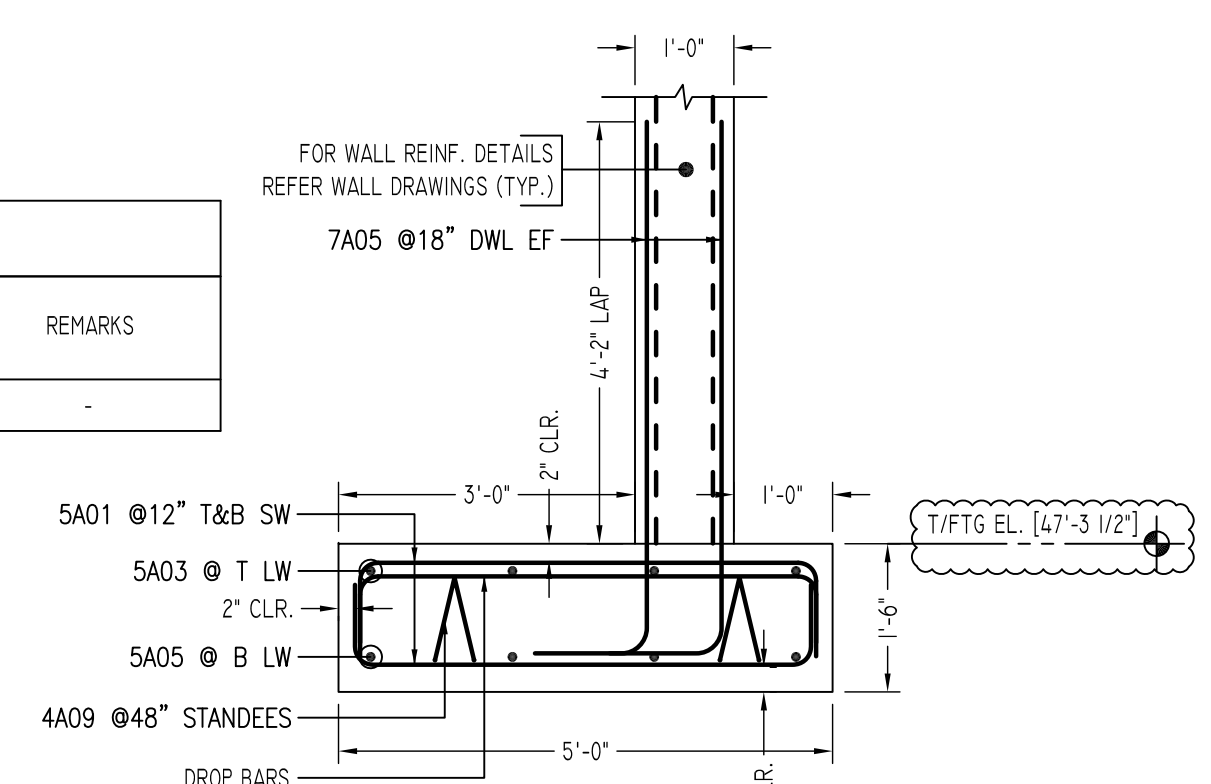
FOOTING & RETAINING WALL SCHEDULE

WALL MARK	FOOTING THICK, FT	FOOTING WIDTH, FW	FOOTING MARK	STEM THICK, ST	HEEL WIDTH, W	TOE WIDTH, W	BAR# 'VB'	BAR# 'VO'	BAR# 'H'	BAR# 'TT'	BAR# 'TL'	BAR# 'BT'	BAR# 'BL'	REMARKS
RW-2	18"	5'-0"	SF-2	12"	3'-0"	1'-0"	#7 @8"	#7 @8"	#5 @18"	#5 @12"	4-#5	#5 @12"	4-#5	

LEGEND:
BAR# 'VB' - DENOTES VERTICAL REINFORCEMENT AT BATTER FACE
BAR# 'VO' - DENOTES VERTICAL REINFORCEMENT AT OPPOSITE FACE
BAR# 'H' - DENOTES HORIZONTAL REINFORCEMENT EACH FACE
BAR# 'TT' - DENOTES TOP TRANSVERSAL REINFORCEMENT IN FOOTING
BAR# 'BT' - DENOTES BOTTOM TRANSVERSAL REINFORCEMENT IN FOOTING
BAR# 'TL' - DENOTES TOP LONGITUDINAL REINFORCEMENT IN FOOTING
BAR# 'BL' - DENOTES BOTTOM LONGITUDINAL REINFORCEMENT IN FOOTING



SECTION I
SCALE - 1/2"=1'-0"



SECTION 2
SCALE - 1/2"=1'-0"
REF: 2/F0-116

Abbreviations:
I.F.=Inside Face
O.F.=Outside Face
E.F.=Each Face
D.WL=Dowel
V=Vertical
H=Horizontal
C.B.=Corner Bar
S.D.WL=Slab Dowel
E.W.=Each Way
B/BOT=Bottom
T=Top
MDWL=Masonry Dowel
B.B.=Bond Beam
ALT.=Alternate
Approx.=Approximate

OPNG=Opening
BAL.=Balance
BTW.=Between
CJ.=Construction Joint
CLR.=CLEARANCE
CMU.=Concrete Masonry Unit
CONT.=Continuous
EA.=Each
Elev.=Elevation
EMB.=Embedment
SW.=Short Way
LW.=Long Way
BL.=Black Bar
EP.=Epoxy Bar
GA.=Galvanized

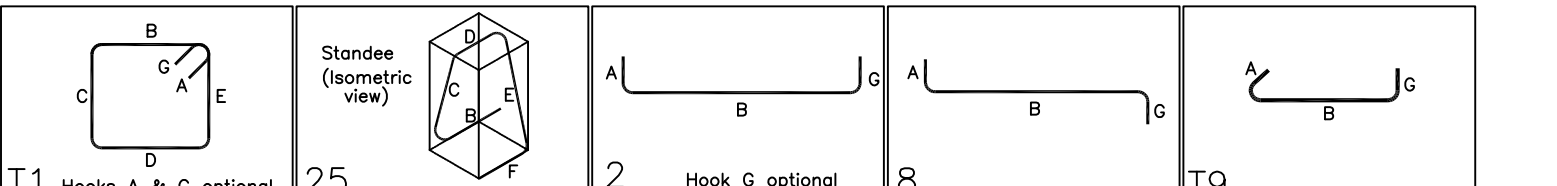
NOTICE

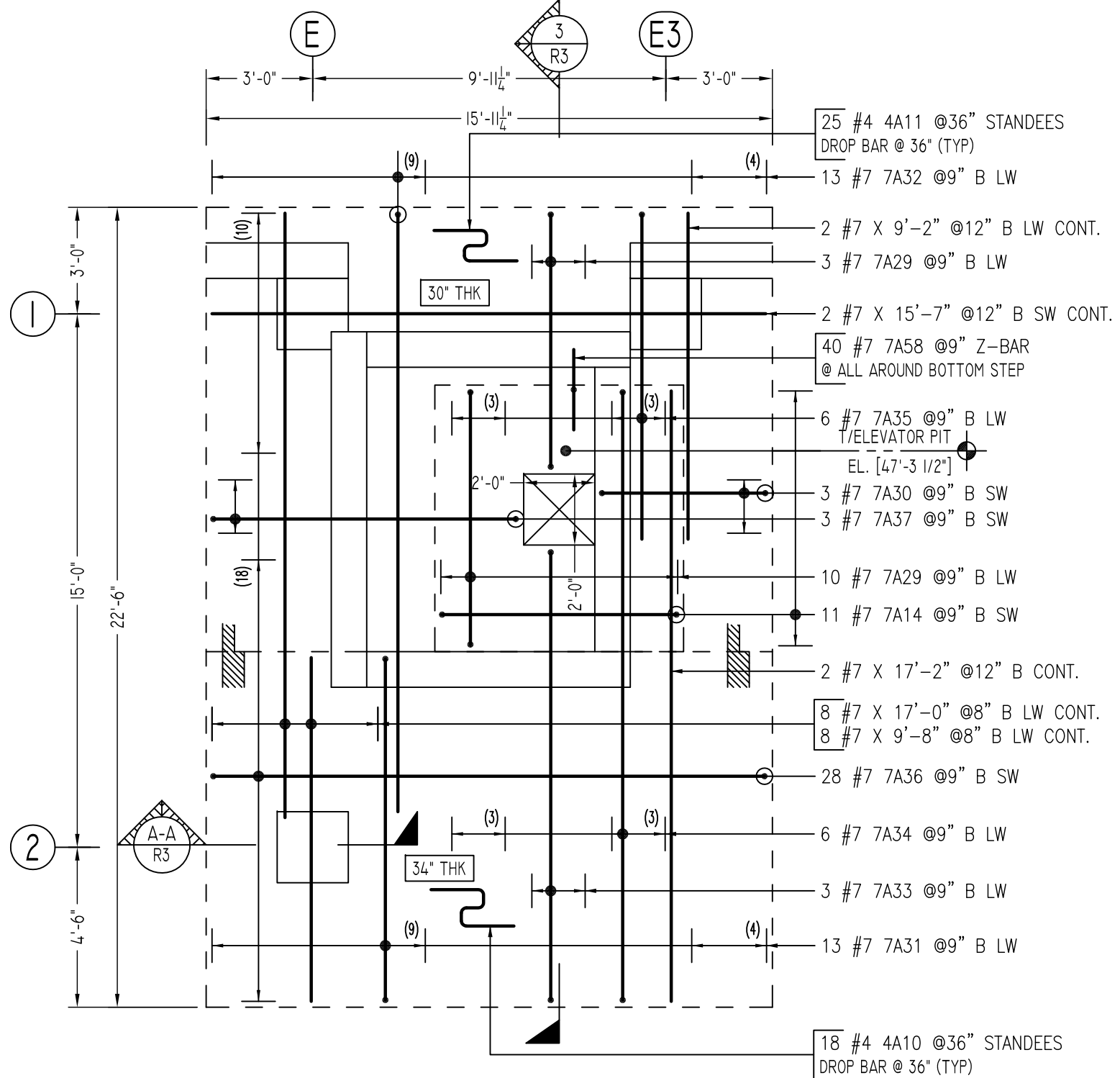
Shortages, improper fabrication or claims for any other reason must be reported to this company within a period of 15 days of delivery. This company reserves the right to field inspect prior to replacement or reconditioning of nonconforming material, and will not honor charges for work done in the field without specific authorization from this company.

REINFORCING STEEL PLACING DRAWINGS ONLY USE IN CONJUNCTION WITH CONTRACT DRAWINGS & SPECIFICATIONS. ELEVATIONS & DIMENSIONS SHOWN ON THIS DRAWING ARE FOR DETAILING PURPOSES ONLY AND SHOULD NOT BE USED FOR CONSTRUCTION UNLESS VERIFIED BY ENGINEER OR CONTRACTOR.

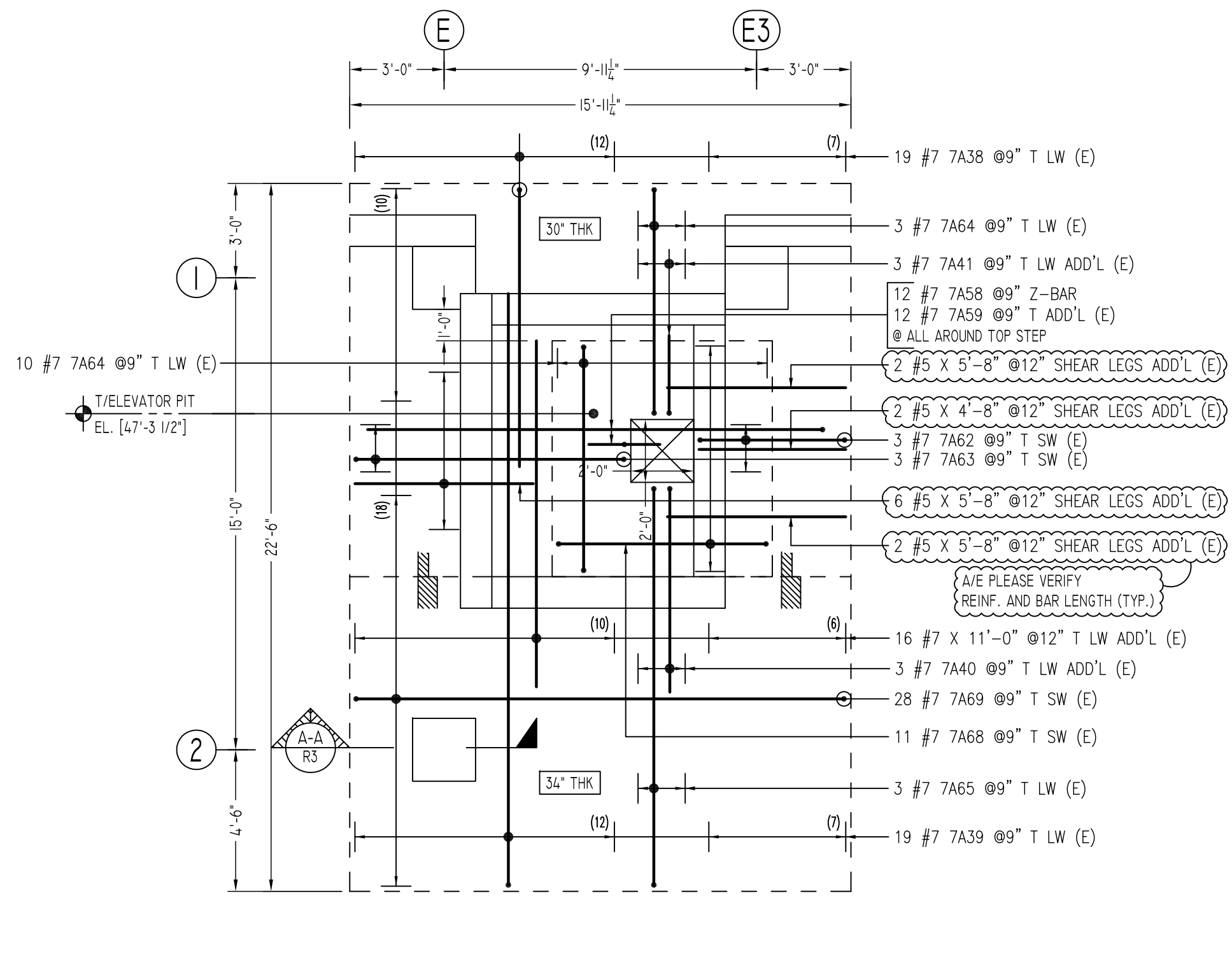
REVISION MARK	REVISION DETAILS	DATE
0	FOR APPROVAL	01/05/2021

PROJECT	PEEKSKILL PARKING BUILDING
LOCATION	645 MAIN STREET, PEEKSKILL NY 10556
ARCHITECT	L&M DESIGN LLC
ENGINEER	BUROHRING
CUSTOMER	JODI/SISCA
DRAWN BY:	NSS/MRS
DATE:	01/05/21
REVIEWED BY:	T/L
JOB NO.	21001
DRAWING NO.:	R2

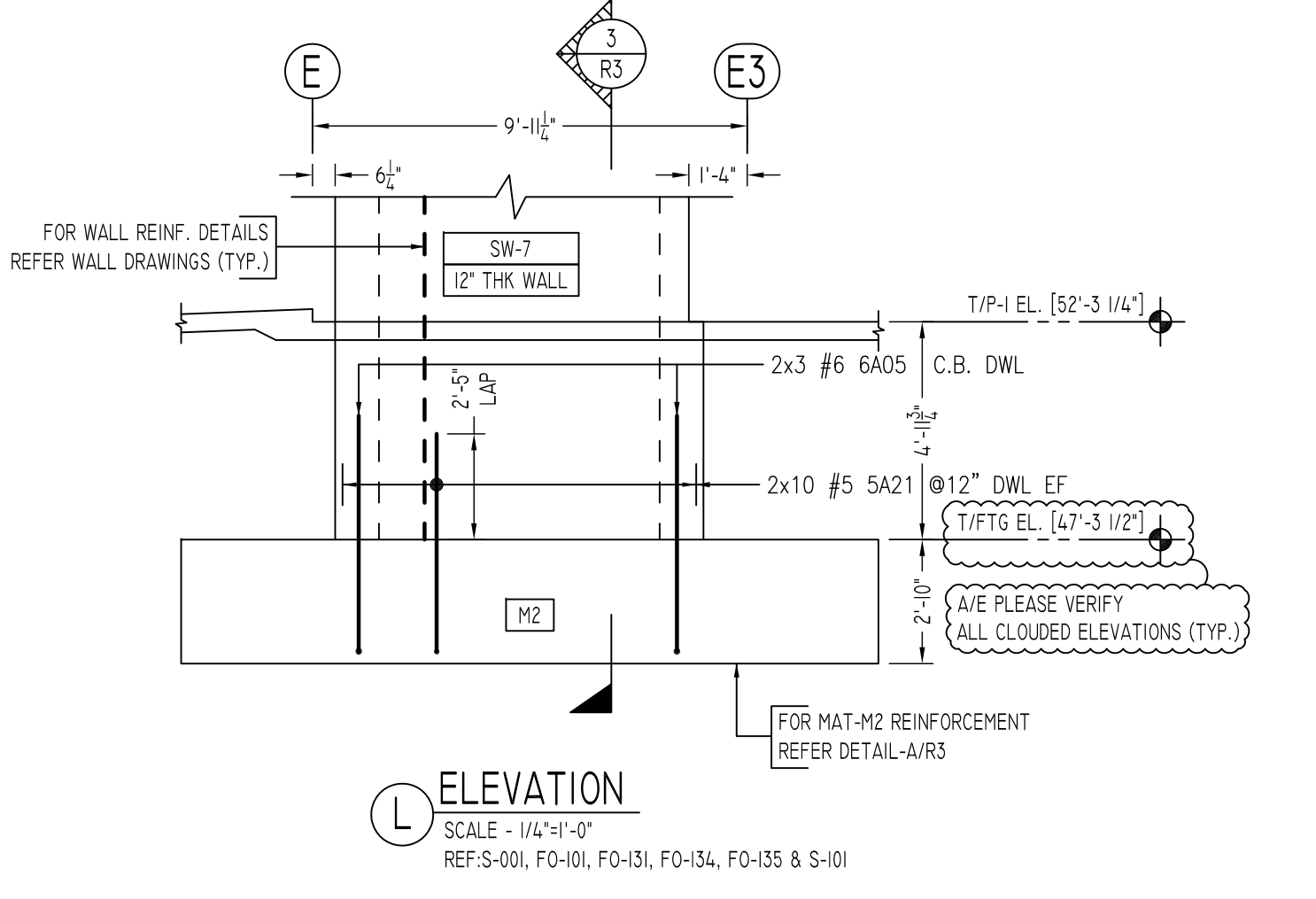




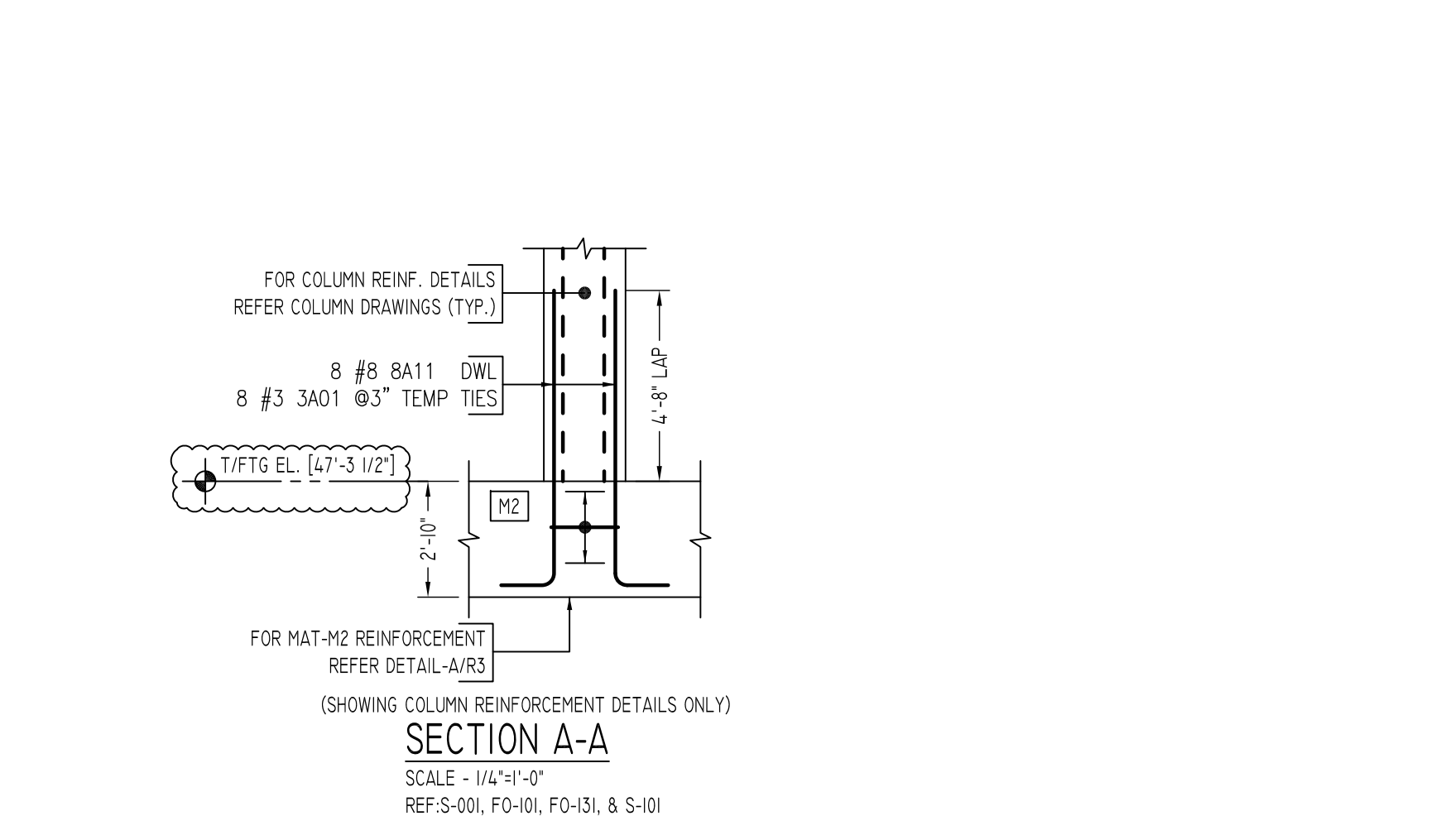
(SHOWN BOTTOM REINFORCEMENT ONLY)
MAT-M2 REINFORCEMENT DETAILS
DETAIL-A
SCALE - 1/4\"/>



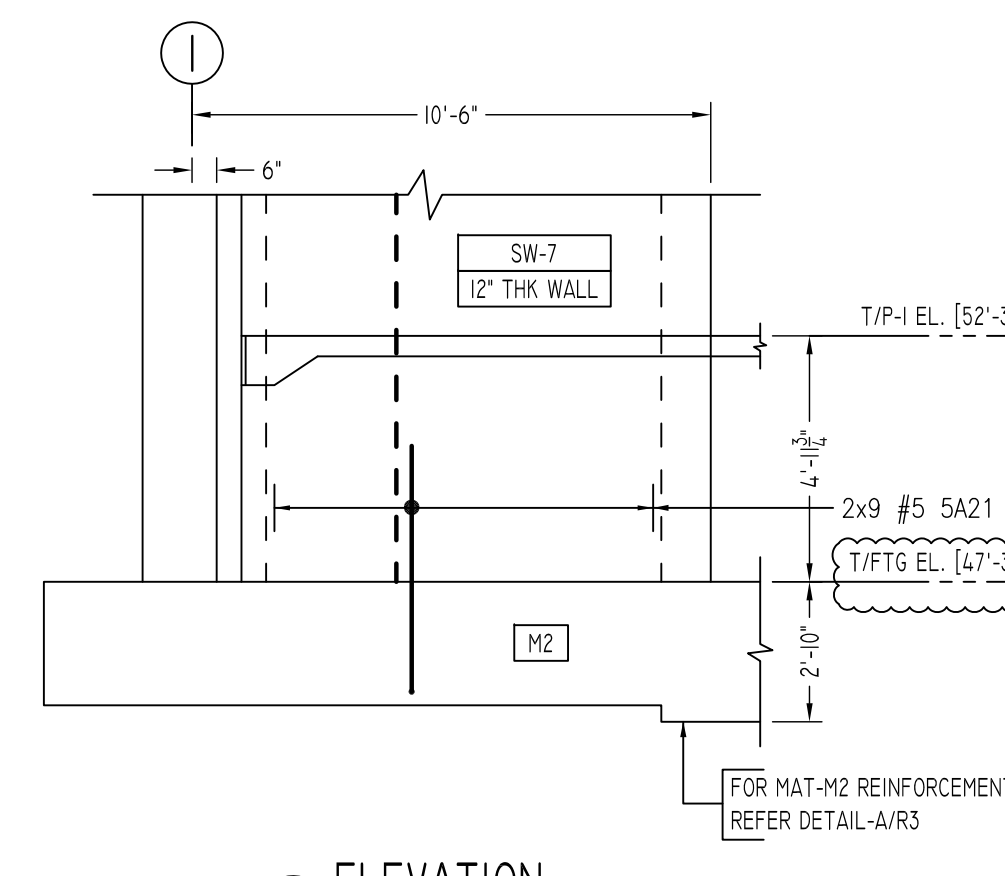
(SHOWN TOP REINFORCEMENT ONLY)
MAT-M2 REINFORCEMENT DETAILS
DETAIL-A
SCALE - 1/4\"/>



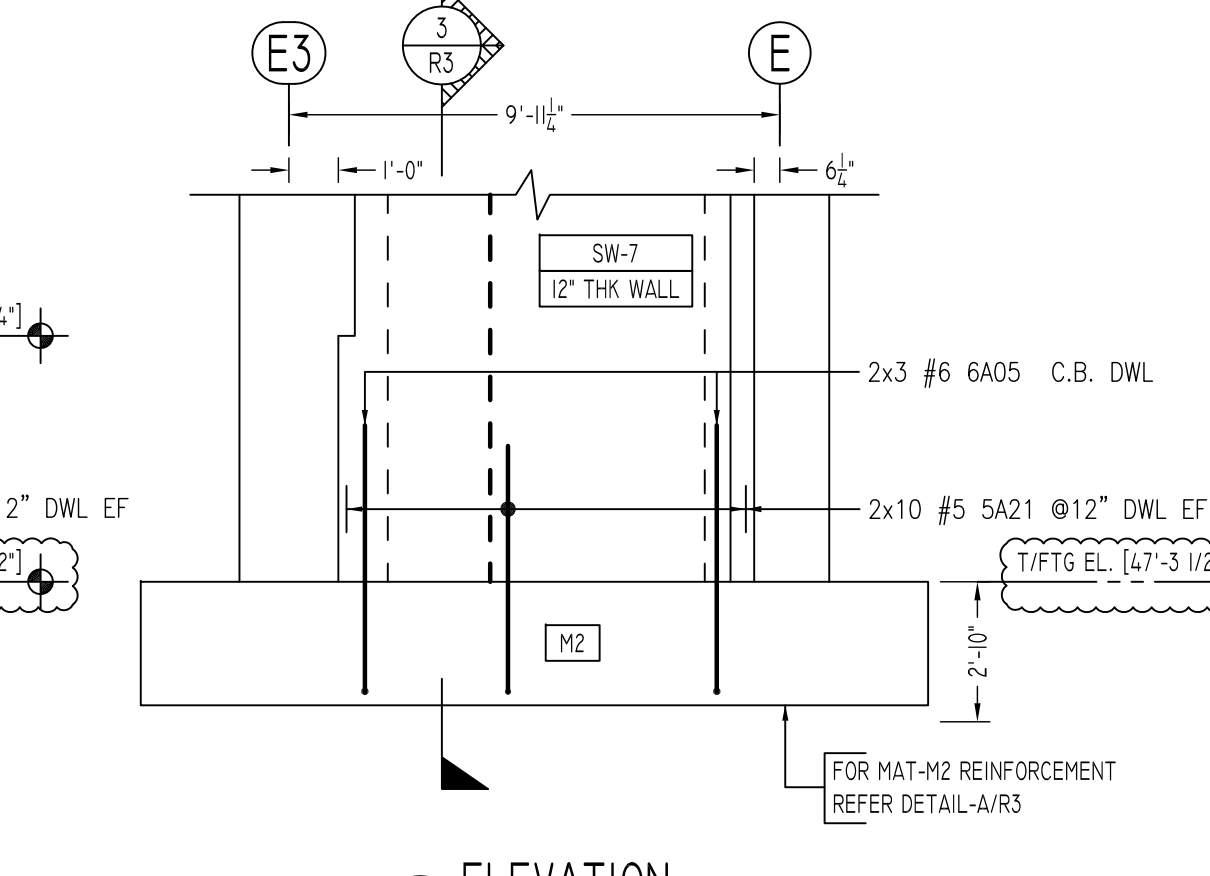
ELEVATION L
SCALE - 1/4\"/>



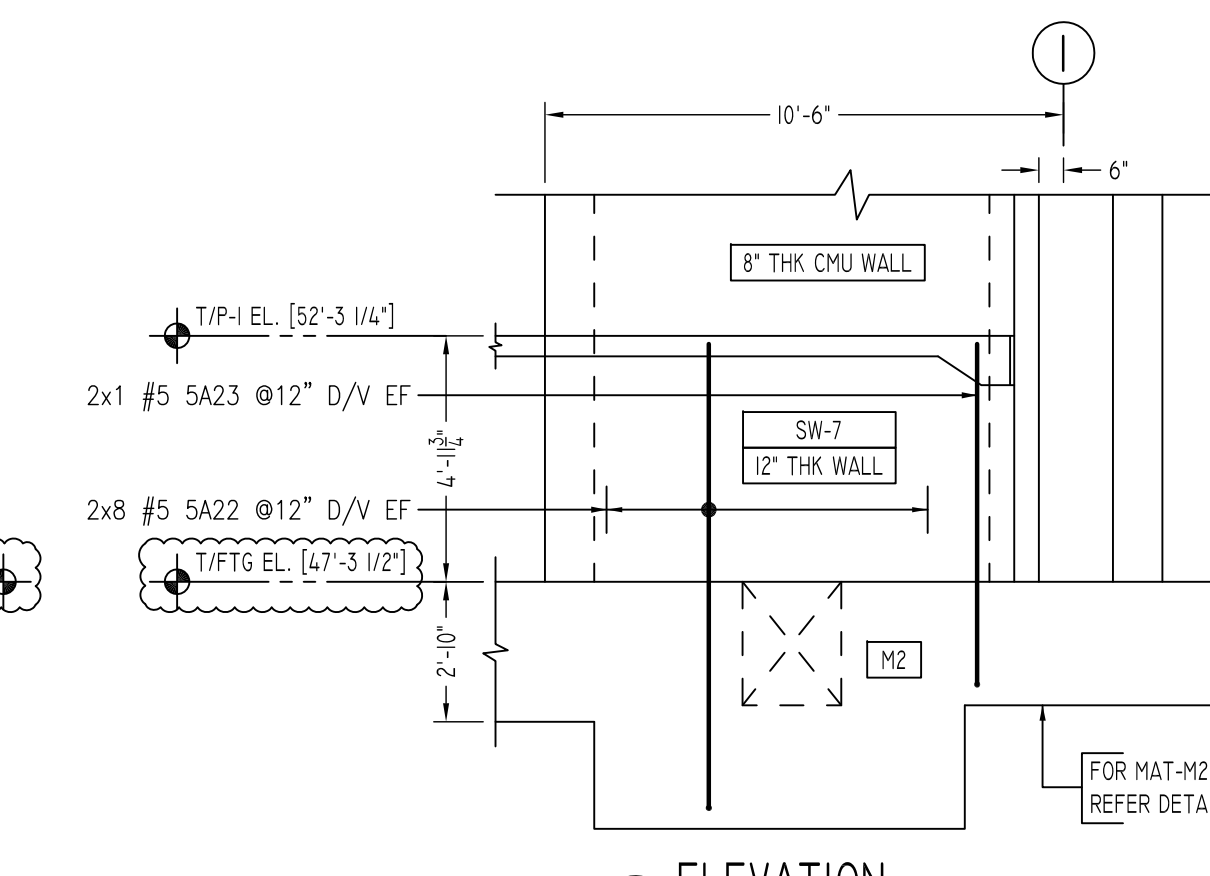
SECTION A-A
SCALE - 1/4\"/>



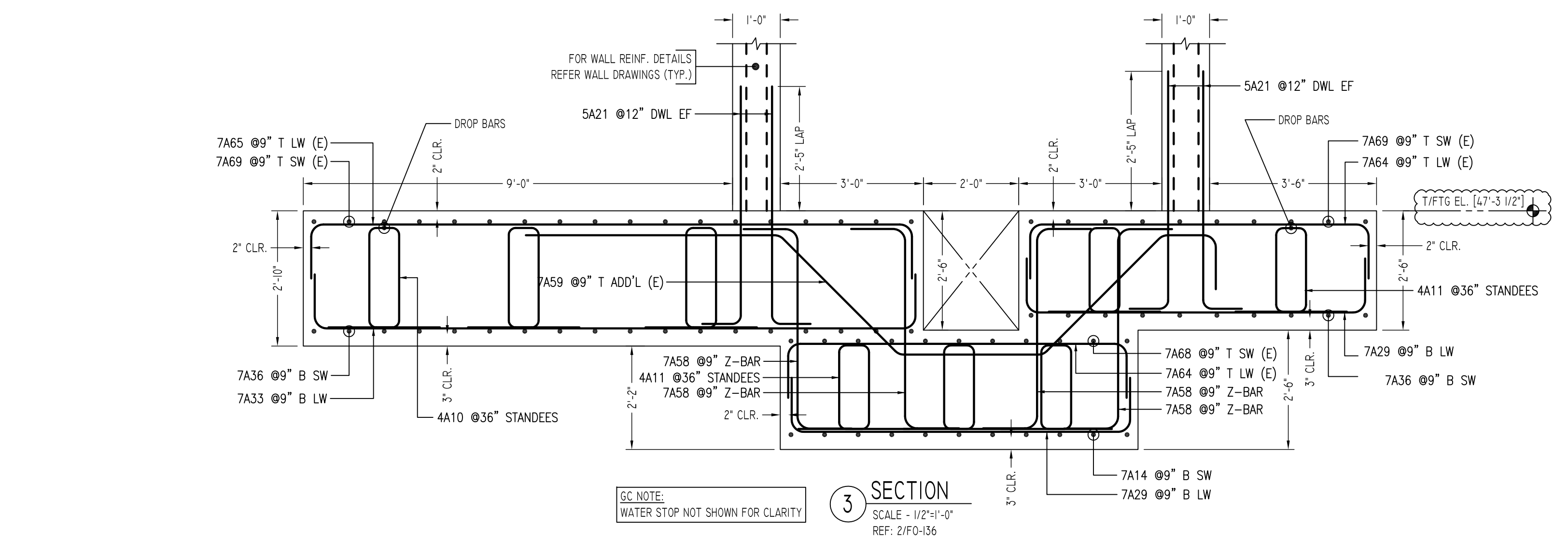
ELEVATION M
SCALE - 1/4\"/>



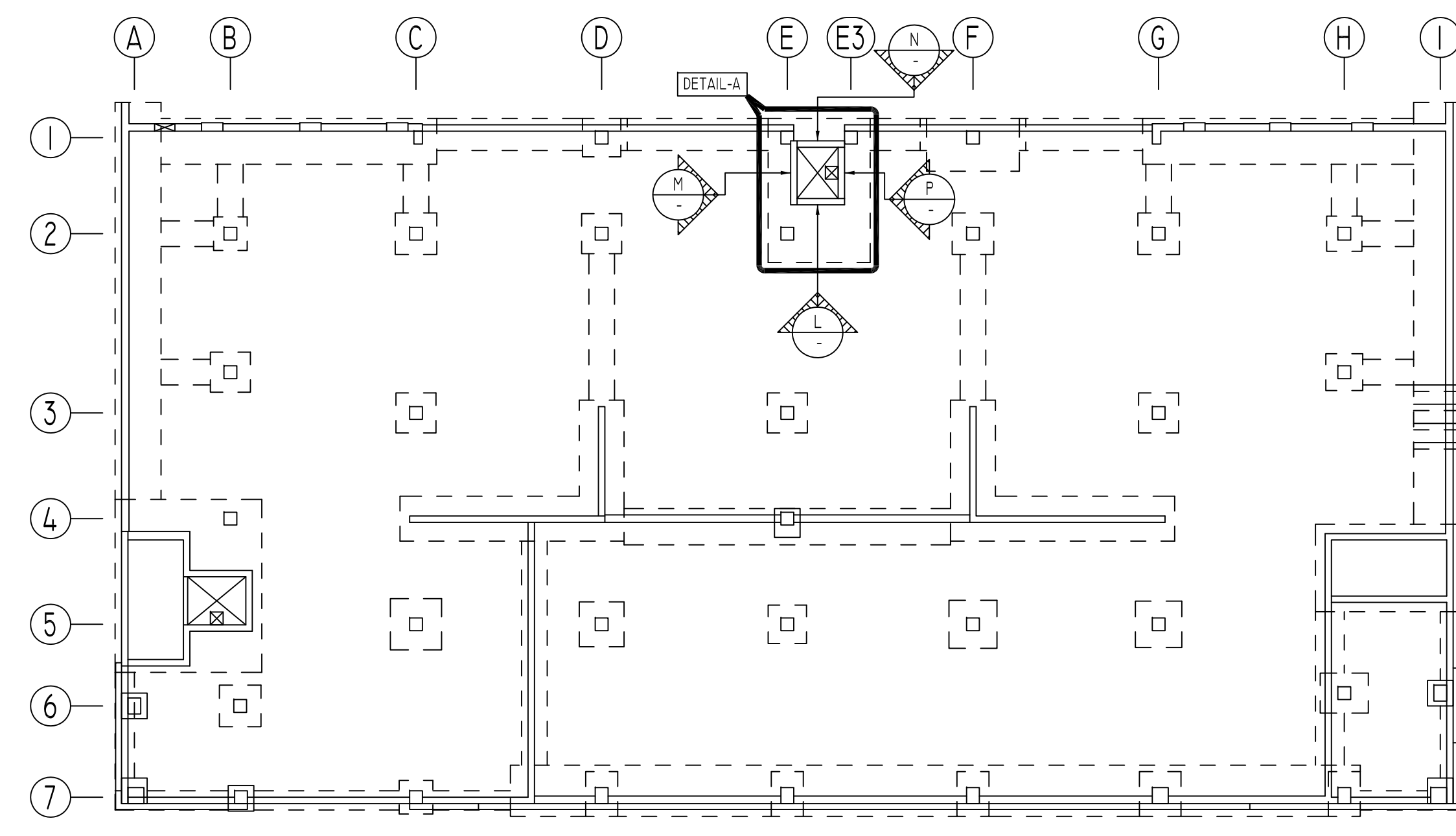
ELEVATION N
SCALE - 1/4\"/>



ELEVATION P
SCALE - 1/4\"/>



SECTION 3
SCALE - 1/2\"/>



KEY PLAN
SCALE - 1/4\"/>

Release Number: R3

Bar Mark	Qty	Size	Total Length	Type	X	Y	Z	W	V	U	T	S	R	Q	P	O	N	M	L	K	J	I	H	G	F	E	D	C	B	A
3A01	8	#3	7'-4 1/2"	T1	0'-4 1/2"	1'-8"	1'-8"	1'-8"	1'-8"	0'-4 1/2"																				
4A10	18	#4	8'-0 1/2"	25		1'-6"	2'-2 1/2"	0'-8"	2'-2 1/2"	1'-6"	2'-1 1/2"																			
4A11	25	#4	7'-4 1/2"	25		1'-6"	1'-10"	0'-8"	1'-10"	1'-6"	1'-9 1/2"																			
5A21	58	#5	5'-10 1/2"	2	0'-10 1/2"	5'-0"																								
5A22	16	#5	10'-3 1/2"	2	0'-10 1/2"	9'-0"																								
5A23	2	#5	7'-0"	2	0'-10 1/2"	6'-11"																								
6A05	12	#6	6'-5"	2	1'-0"	5'-5"																								
7A14	11	#7	9'-0"	2	1'-2"	6'-8"																								
7A29	13	#7	9'-6"	2	1'-2"	7'-2"																								
7A30	3	#7	7'-0"	2	1'-2"	4'-8"																								
7A31	13	#7	12'-0"	2	1'-2"	9'-8"																								
7A32	13	#7	16'-0"	2	1'-2"	16'-10"																								
7A33	3	#7	15'-0"	2	1'-2"	12'-8"																								
7A34	6	#7	19'-6"	2	1'-2"	17'-2"																								
7A35	6	#7	10'-4"	2	1'-2"	9'-2"																								
7A36	28	#7	17'-11"	2	1'-2"	15'-2"																								
7A37	3	#7	10'-11"	2	1'-2"	8'-1"																								
7A58	52	#7	6'-7"	8	1'-2"	4'-3"																								
8A11	8	#8	8'-7"	2	1'-4"	7'-3"																								

TYPICAL REINFORCING BAR CLEARANCE TABLE

LOCATION	MIN. COVER
CONCRETE PLACED AGAINST EARTH	3" CLR
FORMED CONCRETE EXPOSED TO EARTH	2" CLR
SLAB ON GRADE TOP & BOTTOM	2" CLR
SLAB TOP & BOTTOM	2" CLR
BEAM ALL SIDES	2" CLR
INTERIOR FACES OF WALL	2" CLR
COLUMNS OR PIERS (MAIN REINFORCEMENT)	2" CLR

LD SCHEDULE

SIZE	5000 PSI	OTHERS
#3	1'-5"	1'-1"
#4	1'-11"	1'-5"
#5	2'-4"	1'-10"
#6	2'-10"	2'-2"
#7	4'-1"	3'-2"
#8	4'-8"	3'-6"
#9	5'-3"	4'-0"
#10	5'-11"	4'-6"

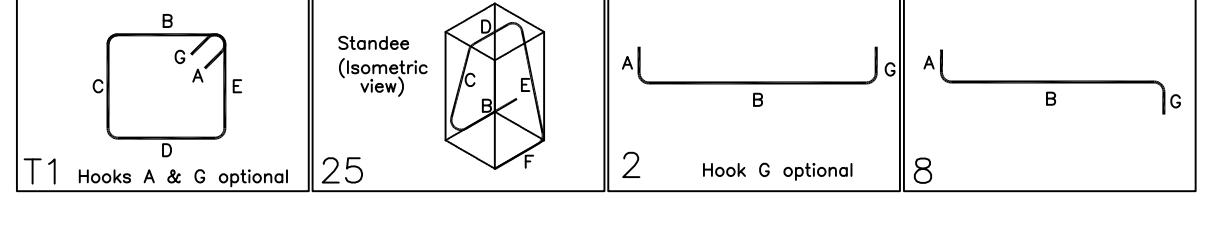
LAP SCHEDULE

SIZE	5000 PSI	OTHERS
#3	1'-11"	1'-5"
#4	2'-6"	1'-11"
#5	3'-1"	2'-4"
#6	3'-9"	2'-10"
#7	5'-4"	4'-1"
#8	6'-1"	4'-8"
#9	6'-10"	5'-3"
#10	7'-9"	5'-11"

ALL BARS IN THIS DRAWING
ASTM A615 GRADE 60 BLACK UNCOATED
EXCEPT (E) MENTIONED ARE EPOXY COATED
ASTM A615 GRADE 60E

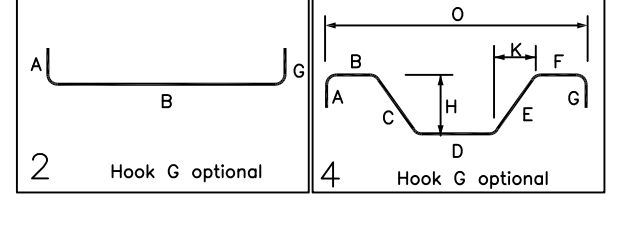
SHEAR WALL SCHEDULE-FTG

SHEAR WALL ID	WALL THICKNESS	VERTICAL REINFORCEMENT	HORIZONTAL REINFORCEMENT
SW-7	12"	#5@ 12"	#5@ 12"



Release Number: R3 (E)

Bar Mark	Qty	Size	Total Length	Type	X	Y	Z	W	V	U	T	S	R	Q	P	O	N	M	L	K	J	I	H	G	F	E	D	C	B	A
7A38	19	#7	10'-0"	2	1'-2"	8'-10"																								
7A39	19	#7	20'-0"	2	1'-2"	18'-10"																								
7A40	3	#7	7'-8"	2	1'-2"	6'-8"																								
7A41	3	#7	3'-5"	2	1'-2"	2'-5"																								
7A59	17	#7	17'-9 1/2"	4	1'-2"	12'-8"	3'-6 1/2"	3'-0 1/2"	3'-6 1/2"	5'-4"	1'-2"																			
7A62	3	#7	7'-0"	2	1'-2"	4'-8"																								
7A63	3	#7	10'-11"	2	1'-2"	8'-7"																								
7A64	13	#7	9'-6"	2	1'-2"	7'-2"																								
7A65	3	#7	15'-0"	2	1'-2"	12'-8"																								
7A68	11	#7	9'-0"	2	1'-2"	6'-8"																								
7A69	28	#7	17'-11"	2	1'-2"	15'-2"																								



Abbreviations:
I.F.=Inside Face
O.F.=Outside Face
E.F.=Each Face
D.W.L.=Dowel
V=Vertical
H=Horizontal
C.B.=Corner Bar
S.D.W.L.=Slab Dowel
E.W.=Each Way
B/BOT.=Bottom
T=Top
M.D.W.L.=Masonry Dowel
B.B.=Bond Beam
ALT.=Alternate
Approx.=Approximate

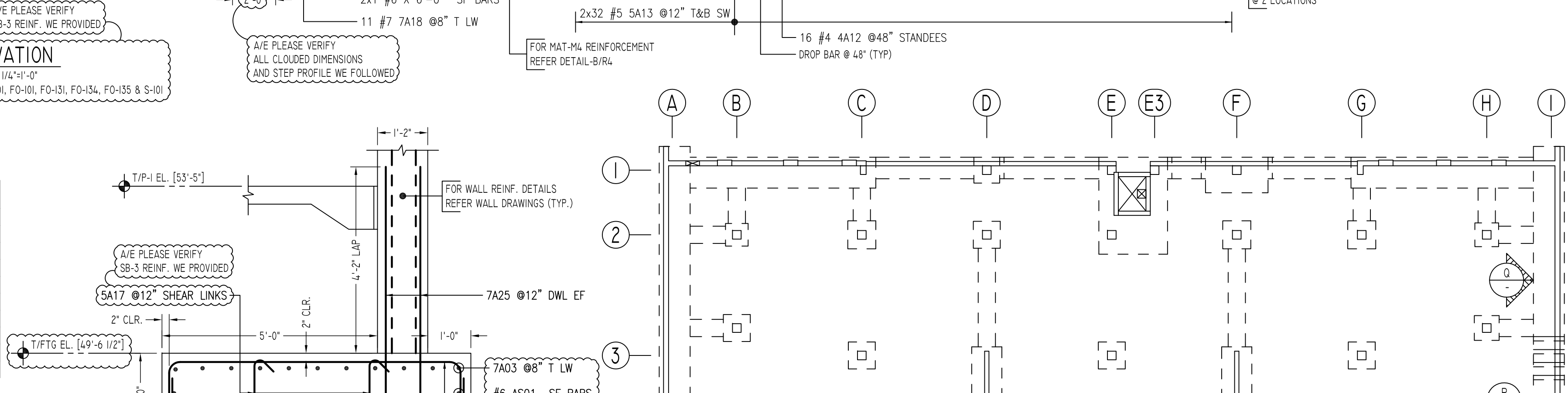
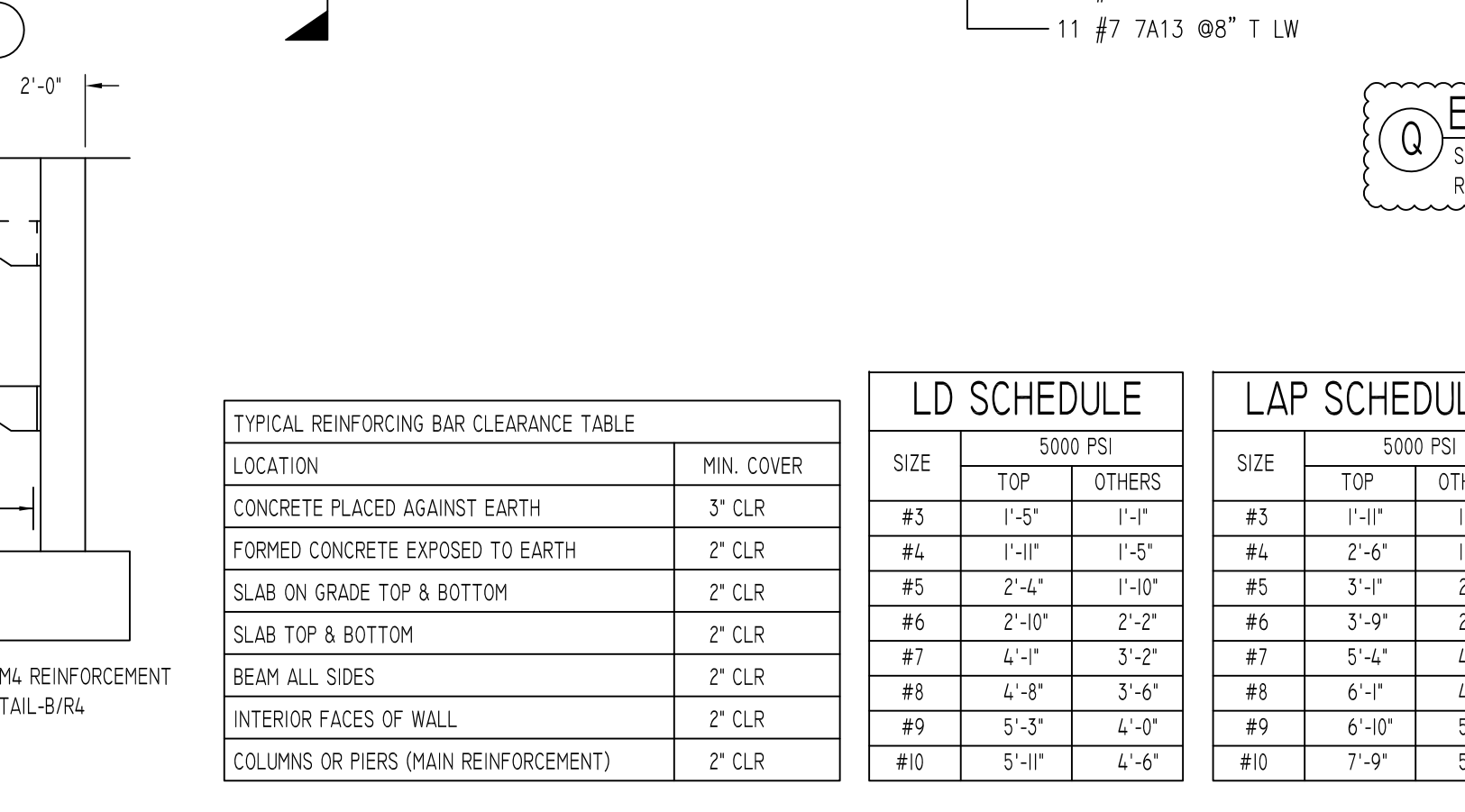
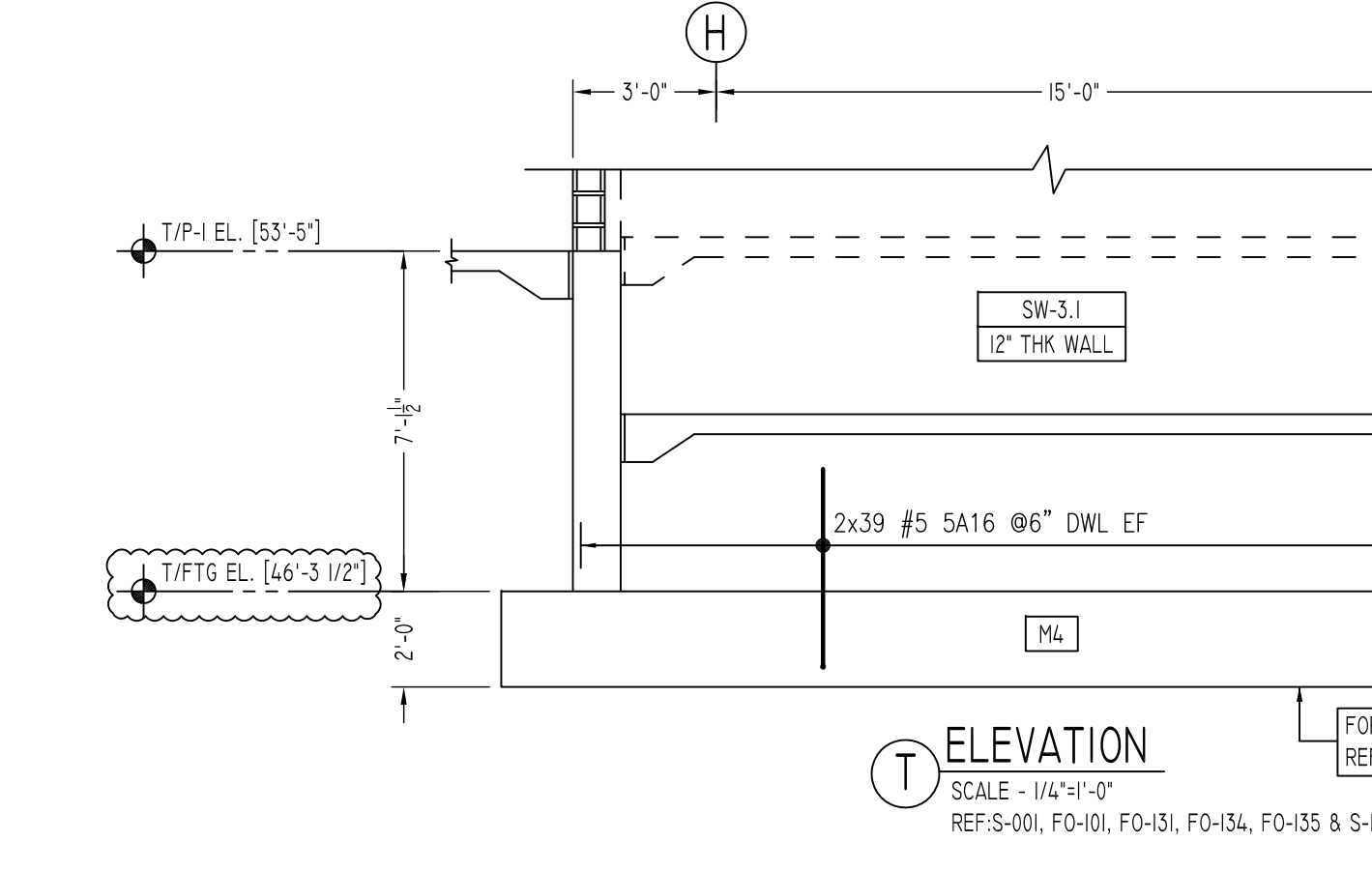
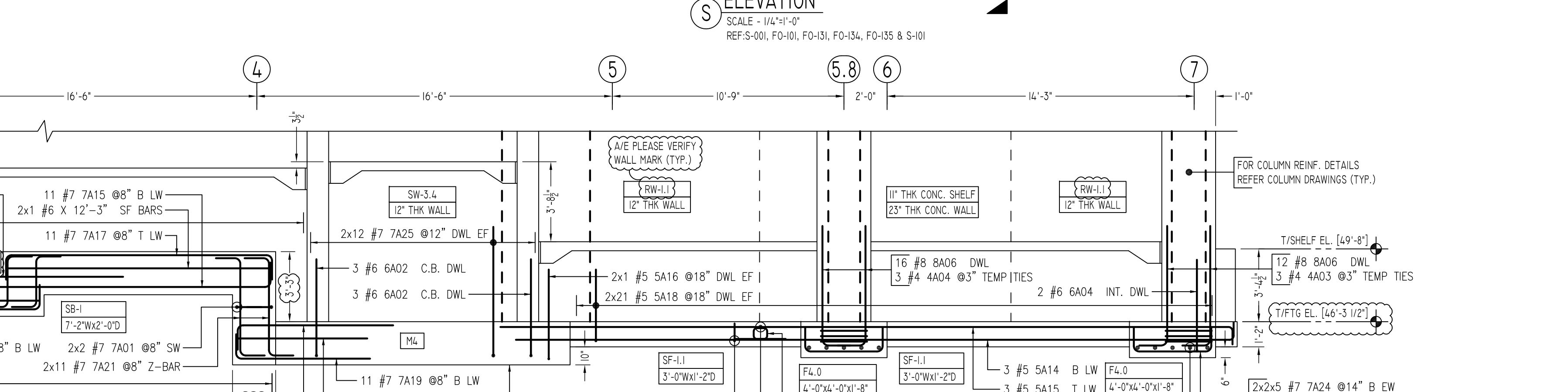
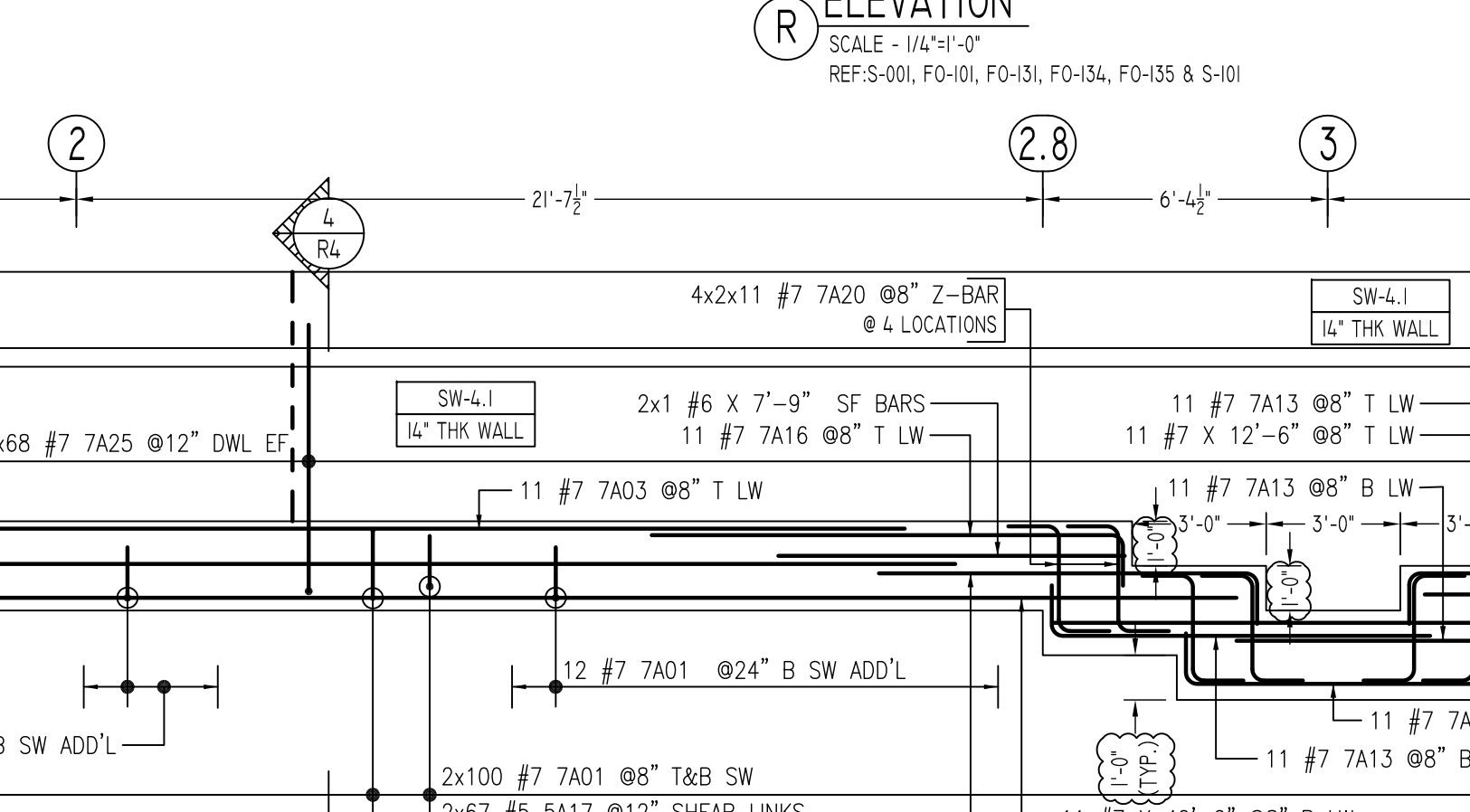
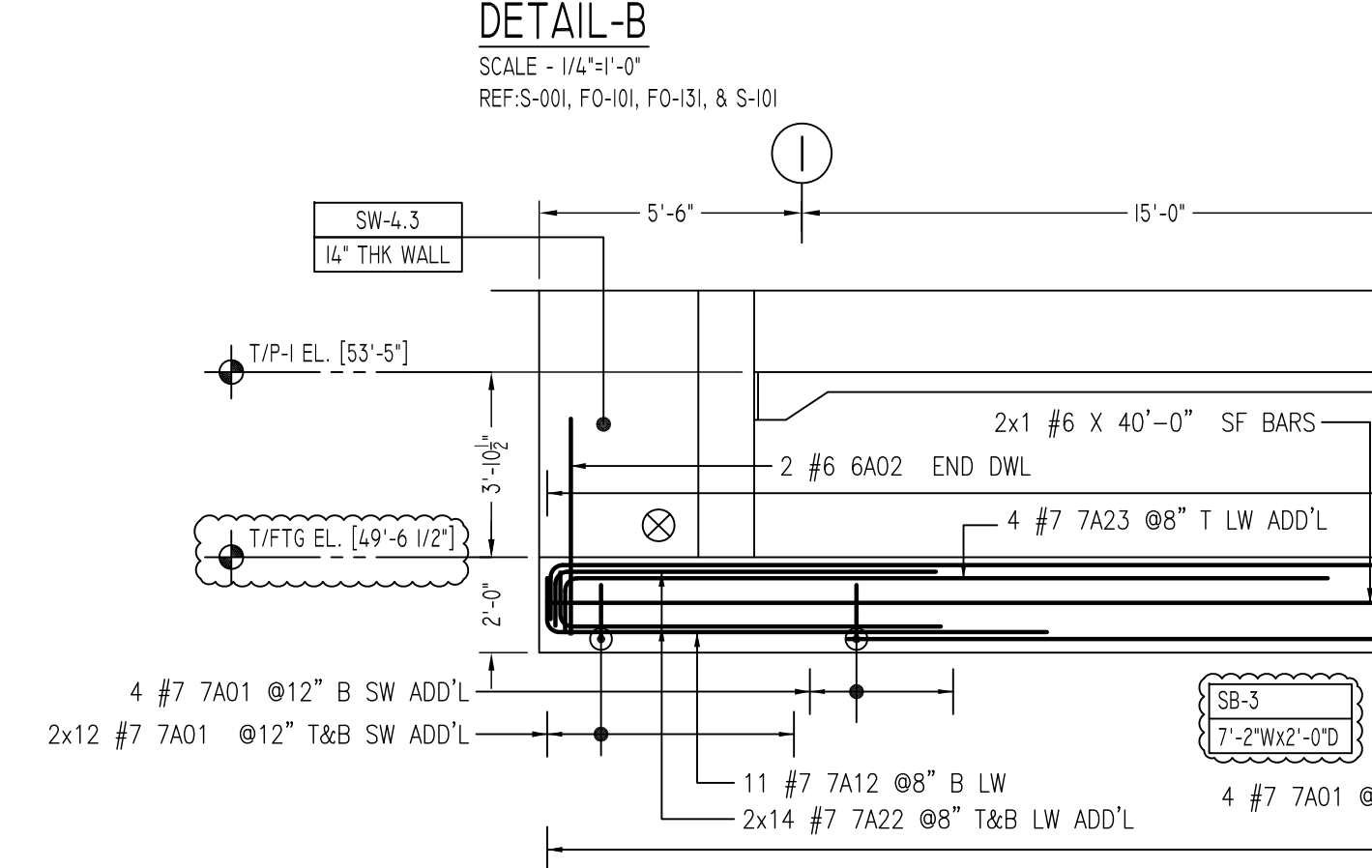
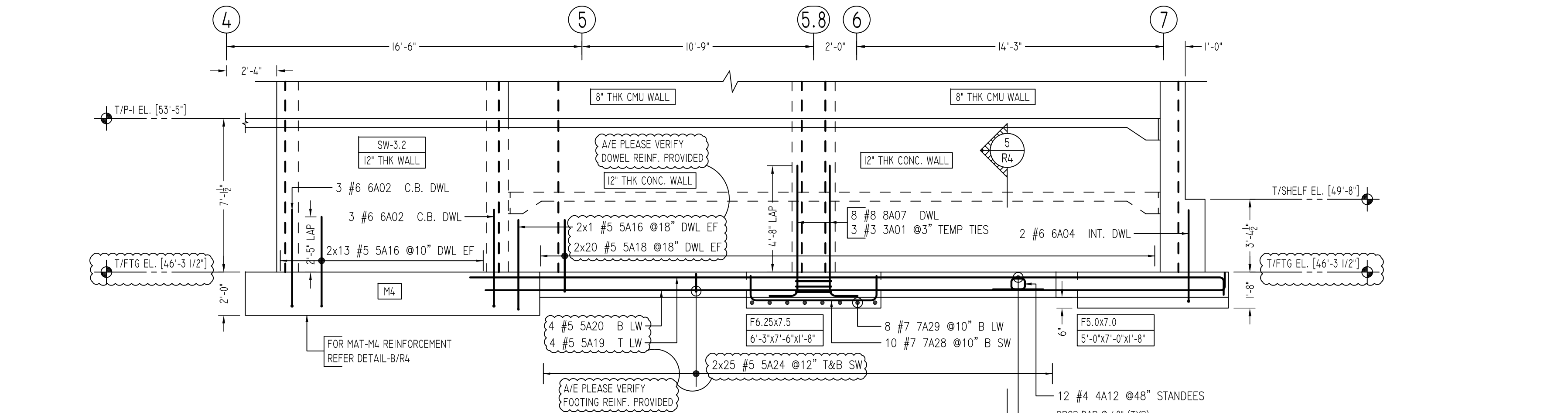
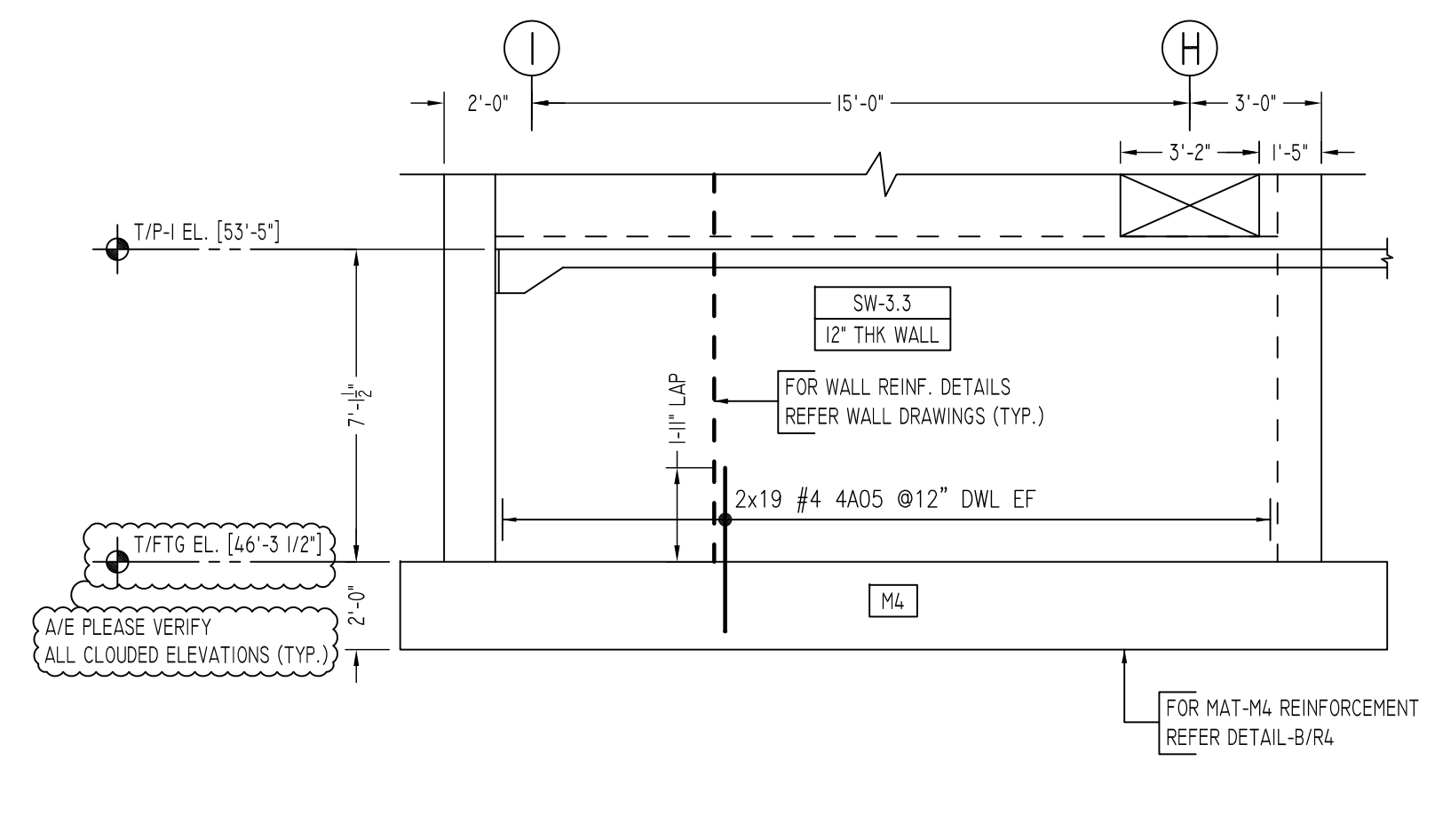
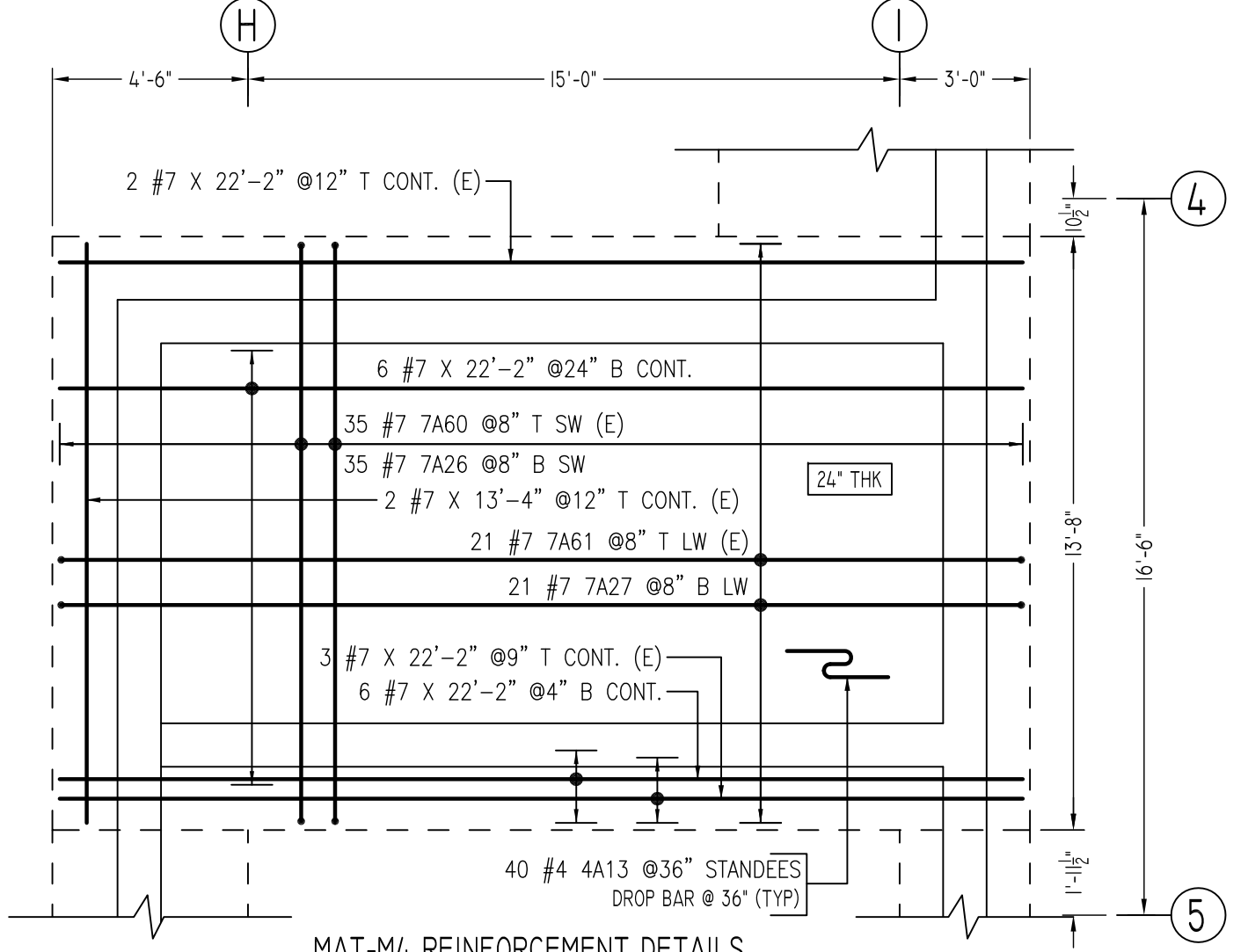
OPNG=Opening
BAL.=Balance
BTW.=Between
C.J.=Construction Joint
CLR.=CLEARANCE
CMU.=Concrete Masonry Unit
CONT.=Continuous
EA.=Each
Elev.=Elevation
EMB.=Embedment
SW.=Short Way
MDWL.=Masonry Dowel
B.B.=Bond Beam
ALT.=Alternate
Approx.=Approximate

NOTICE
Shortages, improper fabrication or claims for any other reason must be reported to this company within a period of 15 days of delivery. This company reserves the right to field inspect prior to replacement or reconditioning of nonconforming material, and will not honor charges for work done in the field without specific authorization from this company.

REINFORCING STEEL PLACING DRAWINGS ONLY USE IN CONJUNCTION WITH CONTRACT DRAWINGS & SPECIFICATIONS. ELEVATIONS & DIMENSIONS SHOWN ON THIS DRAWING ARE FOR DETAILING PURPOSES ONLY AND SHOULD NOT BE USED FOR CONSTRUCTION UNLESS VERIFIED BY ENGINEER OR CONTRACTOR.

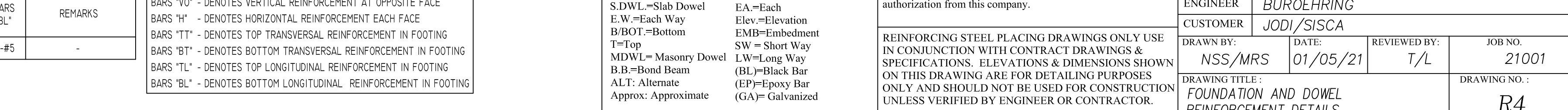
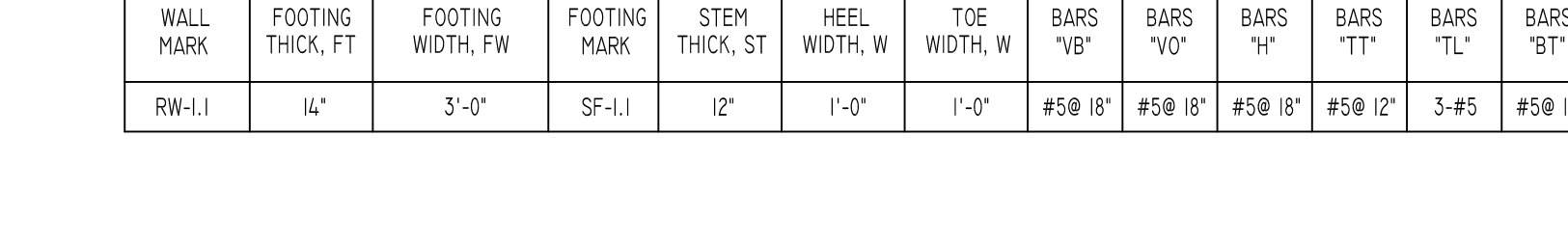
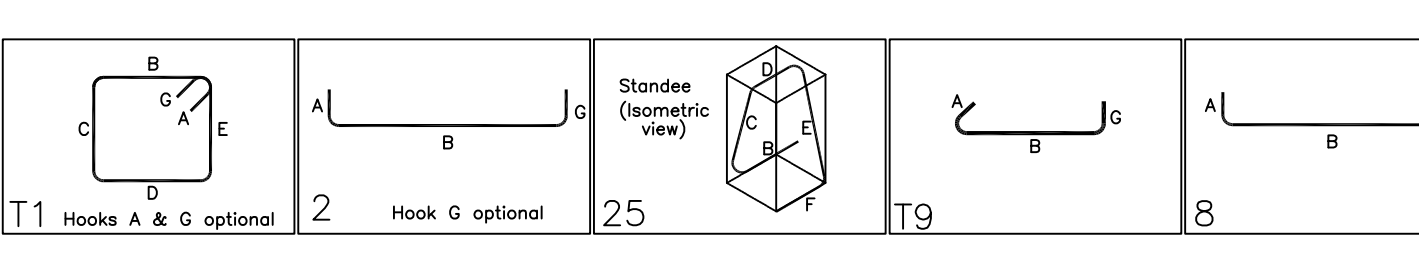
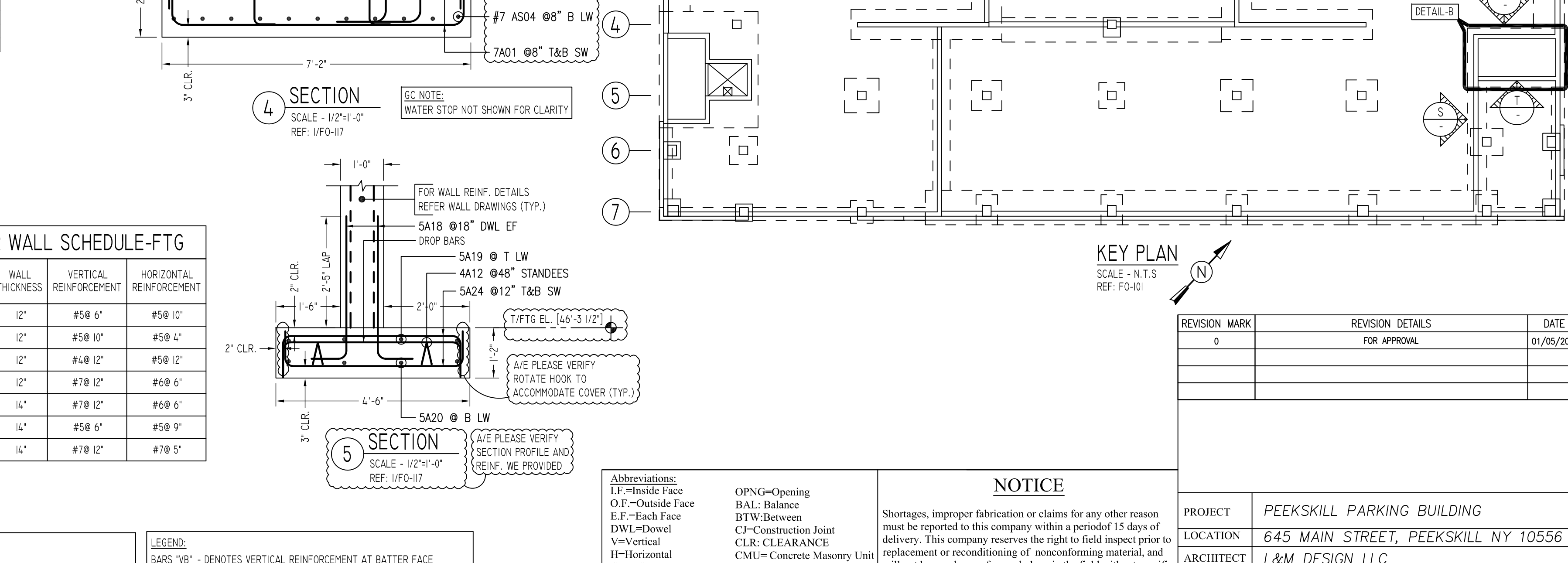
REVISION MARK	REVISION DETAILS	DATE
0	FOR APPROVAL	01/05/2021

PROJECT	PEEKSKILL PARKING BUILDING						
LOCATION	645 MAIN STREET, PEEKSKILL NY 10556						
ARCHITECT	L&M DESIGN LLC						
ENGINEER	BUREOHRING						
CUSTOMER	JODI/SISCA						
DRAWN BY:	NSS/MRS	DATE:	01/05/21	REVIEWED BY:	T/L	JOB NO.:	21001
FOUNDATION TITLE:	FOUNDATION AND DOWEL REINFORCEMENT DETAILS	DRAWING NO.:	R3				



Release Number	Bar	Qty	Size	Total Length	Type	X	Y	Z	W	V	U	T	S	R	Q	P	O	N	M	L	K	J	I	H	G	F	E	D	C	B	A
301	3	3	#3	7'-4 1/2"	11	0'-4 1/2"	1'-8"	1'-8"	1'-8"	1'-8"	0'-4 1/2"																				

Release Number	Bar	Qty	Size	Total Length	Type	X	Y	Z	W	V	U	T	S	R	Q	P	O	N	M	L	K	J	I	H	G	F	E	D	C	B	A
760	25	7	#7	15'-8"	2	1'-2"	13'-4"																								



TYPICAL REINFORCING BAR CLEARANCE TABLE	
LOCATION	MIN. COVER
CONCRETE PLACED AGAINST EARTH	3" CLR
FORMED CONCRETE EXPOSED TO EARTH	2" CLR
SLAB ON GRADE TOP & BOTTOM	2" CLR
SLAB TOP & BOTTOM	2" CLR
BEAM ALL SIDES	2" CLR
INTERIOR FACES OF WALL	2" CLR
COLUMNS OR PIERS (MAIN REINFORCEMENT)	2" CLR

LD SCHEDULE	
SIZE	5000 PSI
	TOP OTHERS
#3	1'-5" 1'-1"
#4	1'-11" 1'-5"
#5	2'-4" 1'-10"
#6	2'-10" 2'-2"
#7	4'-1" 3'-2"
#8	4'-8" 3'-6"
#9	5'-3" 4'-0"
#10	5'-11" 4'-6"

LAP SCHEDULE	
SIZE	5000 PSI
	TOP OTHERS
#3	1'-11" 1'-5"
#4	2'-6" 1'-11"
#5	3'-1" 2'-4"
#6	3'-9" 2'-10"
#7	5'-4" 4'-1"
#8	6'-1" 4'-8"
#9	6'-10" 5'-3"
#10	7'-9" 5'-11"

STRAP BEAM SCHEDULE								
MARK	WIDTH W	DEPTH D	TL	BL	TT	BT	VS	REMARKS
SB-1	86"	24"	#7 @8"	#7 @8"	#7 @8"	#7 @8"	2 LEGS #5 @12"	FOR ADDITIONAL REINFORCEMENT - SEE PLAN. PROVIDE 1-#6 SKIN REINFORCEMENT EA. FACE AT MID-DEPTH.
SB-2	86"	24"	#7 @8"	#7 @8"	#7 @8"	#7 @8"	2 LEGS #5 @12"	

SHEAR WALL SCHEDULE-FTG			
SHEAR WALL ID	WALL THICKNESS	VERTICAL REINFORCEMENT	HORIZONTAL REINFORCEMENT
SW-3.1	12"	#5 @ 6"	#5 @ 10"
SW-3.2	12"	#5 @ 10"	#5 @ 4"
SW-3.3	12"	#4 @ 12"	#5 @ 12"
SW-3.4	12"	#7 @ 12"	#6 @ 6"
SW-4.1	14"	#7 @ 12"	#6 @ 6"
SW-4.2	14"	#5 @ 6"	#5 @ 9"
SW-4.3	14"	#7 @ 12"	#7 @ 5"

FOOTING & RETAINING WALL SCHEDULE														
WALL MARK	FOOTING THICK, FT	FOOTING WIDTH, FW	FOOTING MARK	STEM THICK, ST	HEEL WIDTH, W	TOE WIDTH, W	BAR# VB	BAR# VO	BAR# HT	BAR# TT	BAR# TL	BAR# BT	BAR# BL	REMARKS
RW-1.1	14"	3'-0"	SF-1.1	12"	1'-0"	1'-0"	#5 @8"	#5 @8"	#5 @8"	#5 @12"	3-#5	#5 @12"	3-#5	

Abbreviations:
 I.F. = Inside Face
 O.F. = Outside Face
 E.F. = Each Face
 V = Vertical
 H = Horizontal
 C.B. = Corner Bar
 S.D.W.L. = Slab Dowel
 E.W. = Each Way
 B/BOT = Bottom
 T = Top
 MDWL = Masonry Dowel
 B.B. = Bond Beam
 ALT. = Alternate
 Approx. = Approximate

OPNG=Opening
BAL=Balance
BTW=Between
CJ=Construction Joint
CLR=CLEARANCE
CMU=Concrete Masonry Unit
CONT=Continuous
EA=Each
Elev=Elevation
EMB=Embedment
SW=Short Way
Long Way
BL=Black Bar
EP=Epoxy Bar
GA=Galvanized

NOTICE
 Shortages, improper fabrication or claims for any other reason must be reported to this company within a period of 15 days of delivery. This company reserves the right to field inspect prior to replacement or reconditioning of nonconforming material, and will not honor charges for work done in the field without specific authorization from this company.

REINFORCING STEEL PLACING DRAWINGS ONLY USE IN CONJUNCTION WITH CONTRACT DRAWINGS & SPECIFICATIONS. ELEVATIONS & DIMENSIONS SHOWN ON THIS DRAWING ARE FOR DETAILING PURPOSES ONLY AND SHOULD NOT BE USED FOR CONSTRUCTION UNLESS VERIFIED BY ENGINEER OR CONTRACTOR.

REVISION MARK	REVISION DETAILS	DATE
0	FOR APPROVAL	01/05/2021

PROJECT	PEEKSKILL PARKING BUILDING
LOCATION	645 MAIN STREET, PEEKSKILL NY 10556
ARCHITECT	L&M DESIGN LLC
ENGINEER	BUREHRING
CUSTOMER	JODI/SISCA
DRAWN BY:	NSS/MRS
DATE:	01/05/21
REVIEWED BY:	T/L
JOB NO.	21001
DRAWING TITLE:	FOUNDATION AND DOWEL REINFORCEMENT DETAILS
DRAWING NO.:	R4