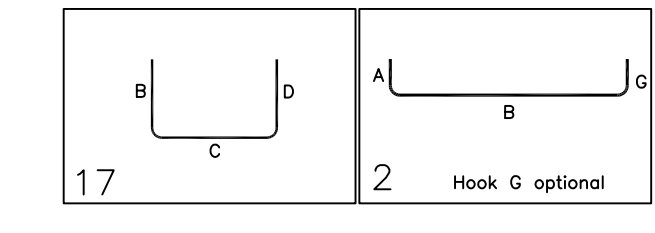
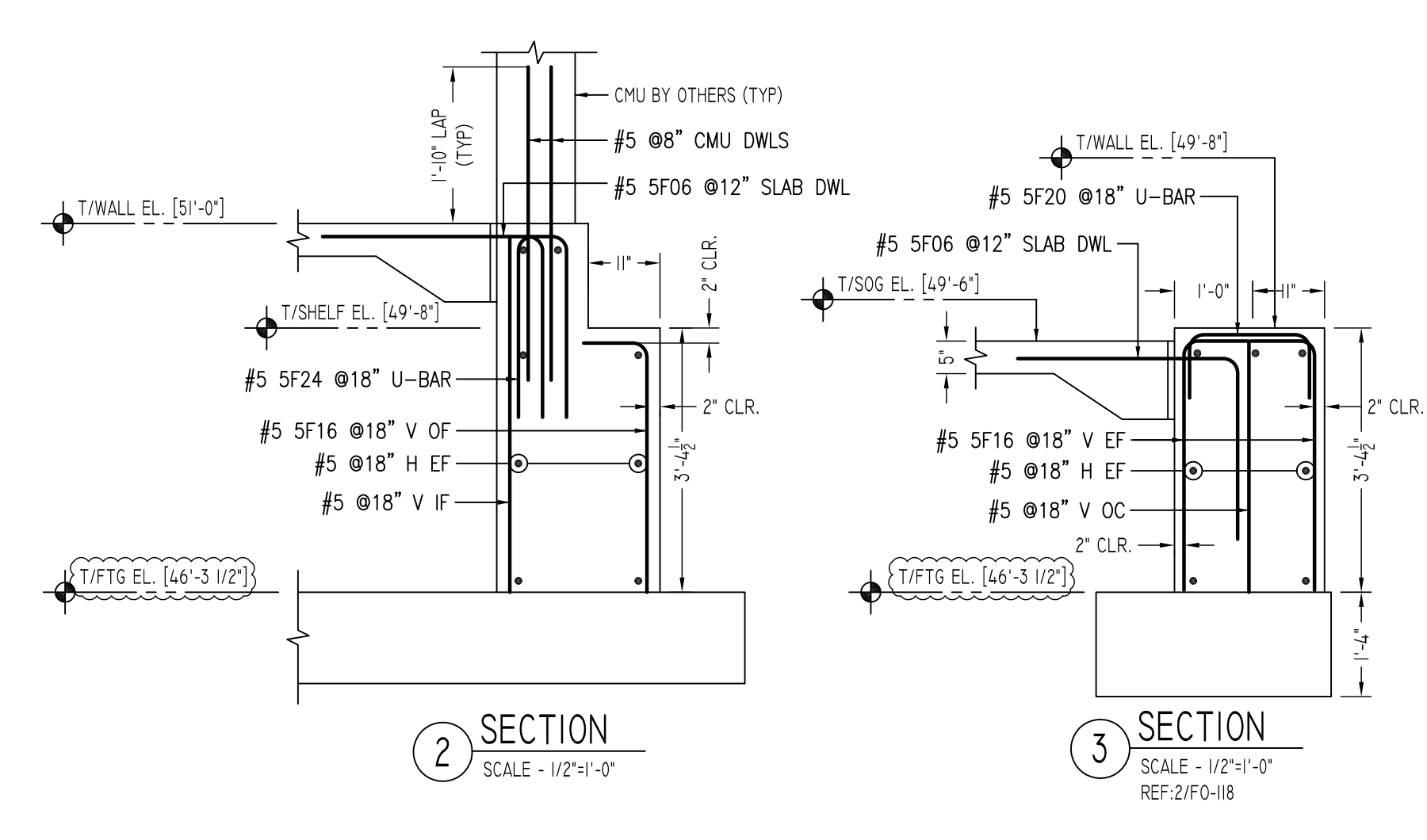
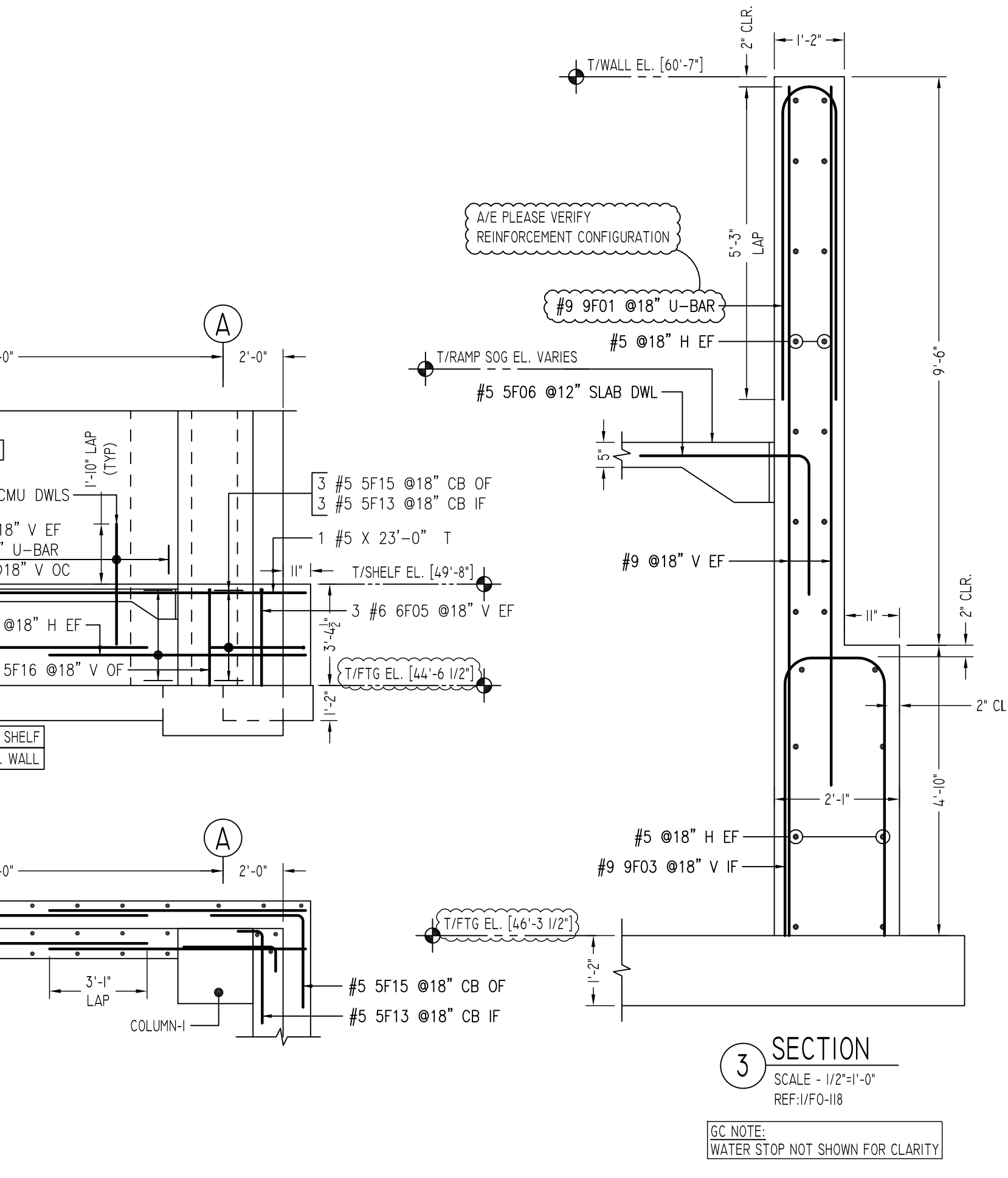
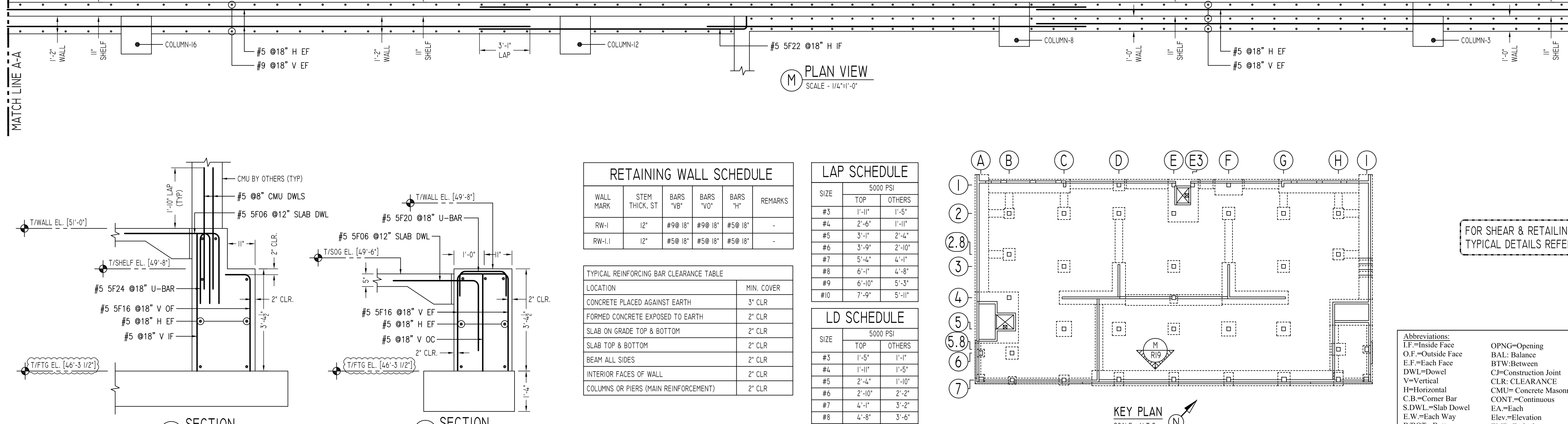
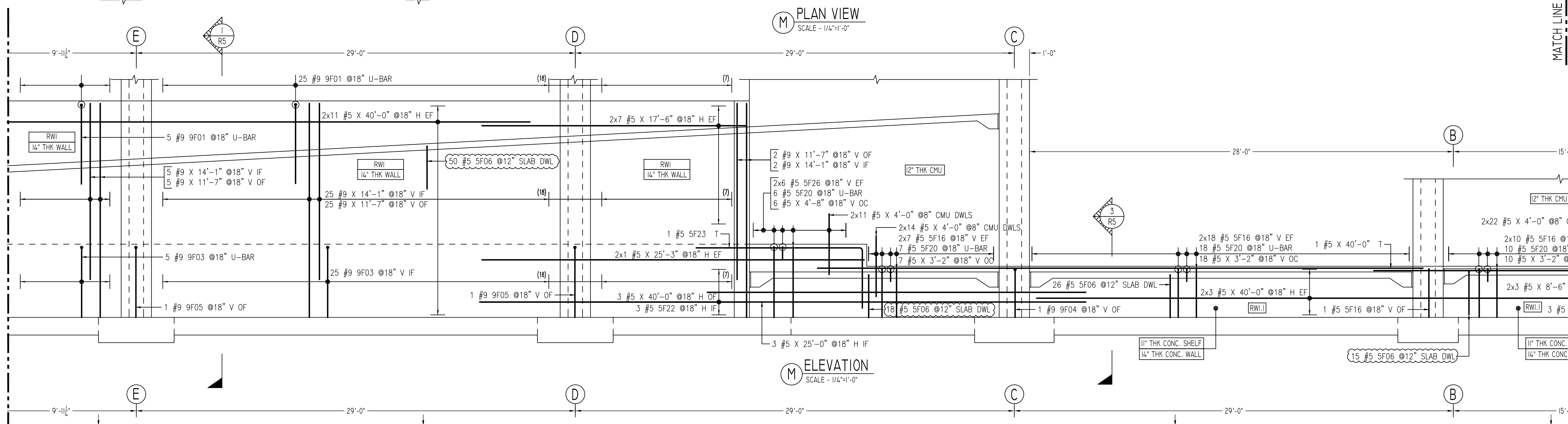
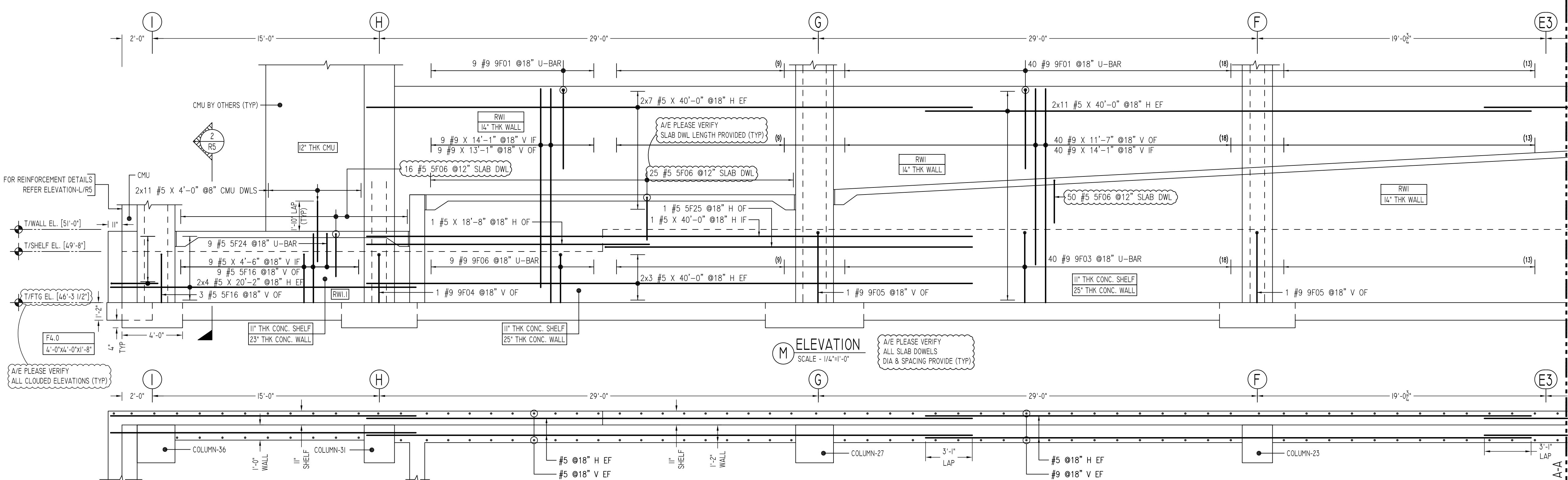


Bar Mark	Qty	Size	Total Length	Type	X	Y	Z	W	V	U	T	S	R	Q	P	O	N	M	L	K	J	I	H	G	F	E	D	C	B	A
906	200	#5	5'-2"	17																										
913	3	#5	3'-11"	2	0'-10"	3'-1"																								
915	3	#5	6'-2"	17																										
916	88	#5	4'-0"	2	0'-10"	3'-2"																								
920	4	#5	3'-3"	2	0'-10"	1'-7"																								
922	3	#5	18'-5"	2	0'-10"	17'-8"																								
923	1	#5	15'-0"	17																										
924	9	#5	5'-4"	17																										
925	1	#5	25'-1"	2	0'-10"	24'-3"																								
928	12	#5	5'-5"	2	0'-10"	4'-8"																								
905	3	#6	1'-0"	3'-2"																										
901	78	#9	11'-5"	17																										
903	78	#9	11'-1"	17																										
904	2	#9	4'-9"	2	1'-7"	3'-2"																								
905	4	#9	6'-1"	2	1'-7"	4'-8"																								
906	9	#9	8'-2"	17																										



ALL BARS IN THIS DRAWING
ASTM A615 GRADE 60
BLACK UNCOATED

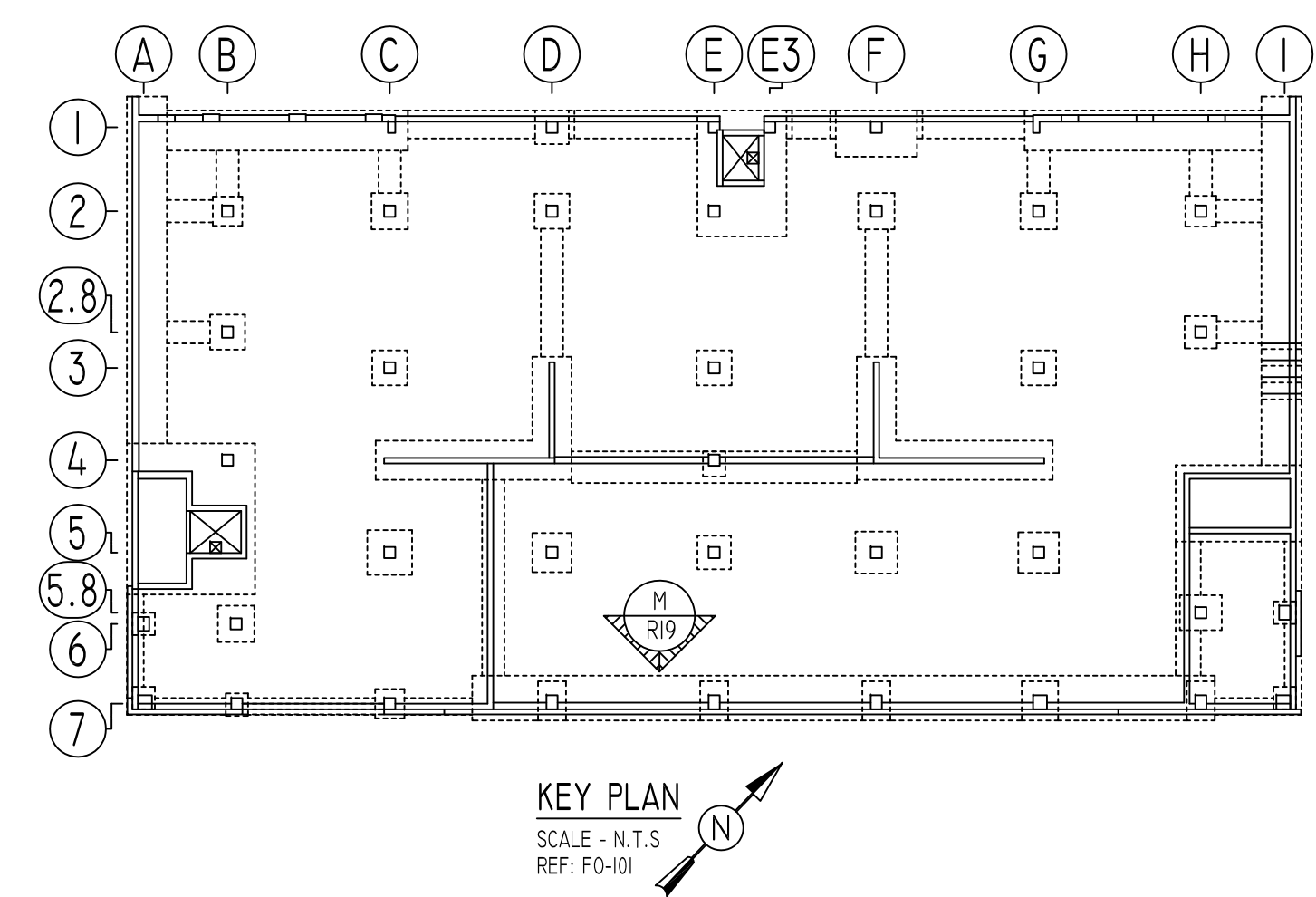


WALL MARK	STEM THICK. ST	BARS 'VB'	BARS 'VO'	BARS 'H'	REMARKS
RW-1	12"	#9@18"	#9@18"	#5@18"	
RW-1.1	12"	#5@18"	#5@18"	#5@18"	

LOCATION	MIN. COVER
CONCRETE PLACED AGAINST EARTH	3" CLR
FORMED CONCRETE EXPOSED TO EARTH	2" CLR
SLAB ON GRADE TOP & BOTTOM	2" CLR
SLAB TOP & BOTTOM	2" CLR
BEAM ALL SIDES	2" CLR
INTERIOR FACES OF WALL	2" CLR
COLUMNS OR PIERS (MAIN REINFORCEMENT)	2" CLR

SIZE	5000 PSI	
	TOP	OTHERS
#3	1'-11"	1'-5"
#4	2'-6"	1'-11"
#5	3'-1"	2'-4"
#6	3'-9"	2'-10"
#7	5'-4"	4'-4"
#8	6'-1"	4'-8"
#9	6'-10"	5'-3"
#10	7'-9"	5'-11"

SIZE	5000 PSI	
	TOP	OTHERS
#3	1'-5"	1'-1"
#4	1'-11"	1'-5"
#5	2'-4"	1'-10"
#6	2'-10"	2'-2"
#7	4'-1"	3'-2"
#8	4'-8"	3'-6"
#9	5'-3"	4'-0"
#10	5'-11"	4'-6"



Abbreviations:
I.F.=Inside Face
O.F.=Outside Face
E.F.=Each Face
DWL=Dowel
V=Vertical
H=Horizontal
C.B.=Corner Bar
S.DWL=Slab Dowel
E.W.=Each Way
B/BOT=Bottom
T=Top
MDWL=Masonry Dowel
B.B.=Bond Beam
ALT.=Alternate
Approx.=Approximate

OPNG=Opening
BAL=Balance
BTW=Between
CJ=Construction Joint
CLR=CLEARANCE
CMU=Concrete Masonry Unit
CONT.=Continuous
EA=Each
Elev.=Elevation
EMB=Embedment
SW=Short Way
LW=Long Way
BL=Black Bar
E/P=Epoxy Bar
GA=Galvanized

NOTICE

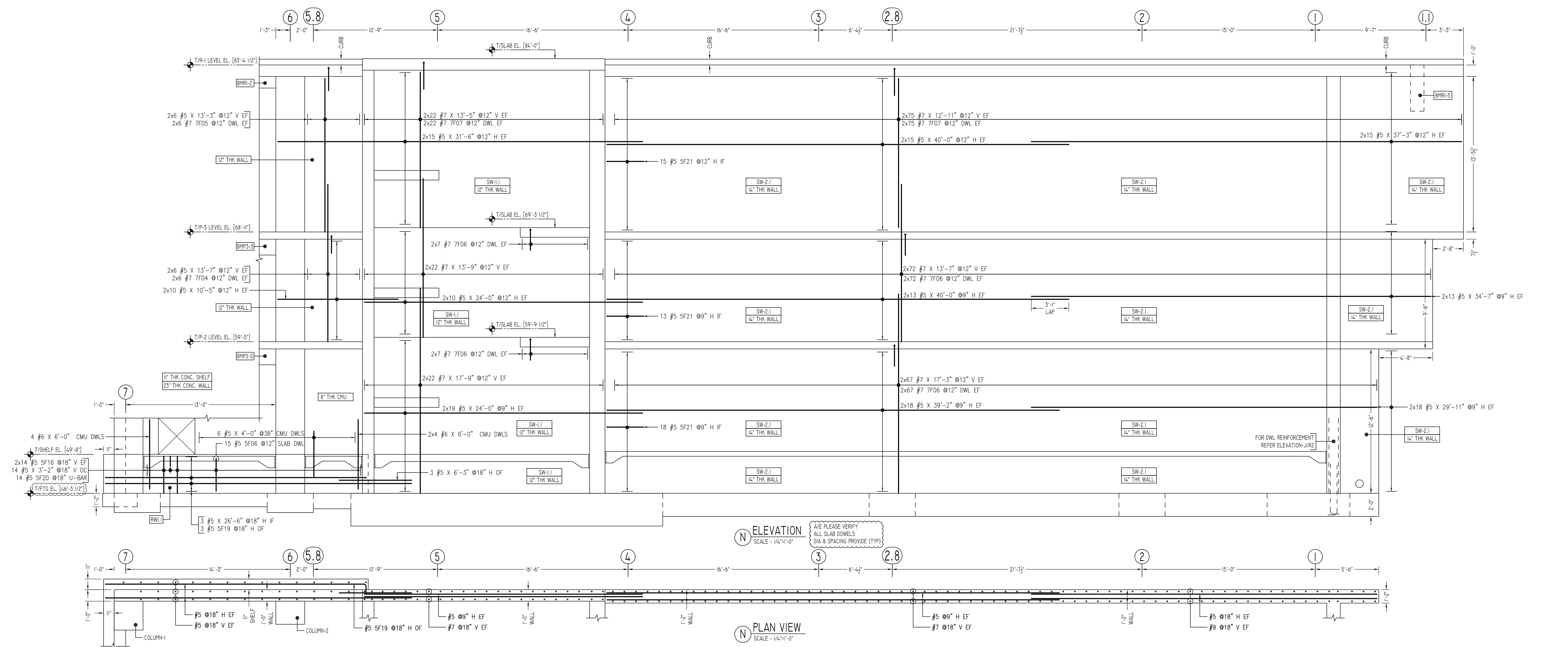
Shortages, improper fabrication or claims for any other reason must be reported to this company within a period of 15 days of delivery. This company reserves the right to field inspect prior to replacement or reconditioning of nonconforming material, and will not honor charges for work done in the field without specific authorization from this company.

REINFORCING STEEL PLACING DRAWINGS ONLY USE IN CONJUNCTION WITH CONTRACT DRAWINGS & SPECIFICATIONS. ELEVATIONS & DIMENSIONS SHOWN ON THIS DRAWING ARE FOR DETAILING PURPOSES ONLY AND SHOULD NOT BE USED FOR CONSTRUCTION UNLESS VERIFIED BY ENGINEER OR CONTRACTOR.

FOR SHEAR & RETAINING WALL SCHEDULE & TYPICAL DETAILS REFER R13

REVISION MARK	REVISION DETAILS	DATE
0	FOR APPROVAL	01/12/2021

PROJECT	PEEKSKILL PARKING BUILDING						
LOCATION	645 MAIN STREET, PEEKSKILL NY 10556						
ARCHITECT	L&M DESIGN LLC						
ENGINEER	BURMESTRING						
CUSTOMER	JODI/SISCA						
DRAWN BY:	NSS/MRS	DATE:	01/12/21	REVIEWED BY:	T/L	JOB NO.:	21001
DRAWING TITLE:							DRAWING NO.:
FOUNDATION TO R-1 LEVEL WALL REINFORCEMENT DETAILS							R19

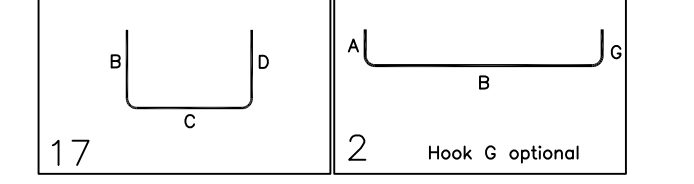


ELEVATION
SCALE - 1/4"=1'-0"

PLAN VIEW
SCALE - 1/4"=1'-0"

Release Number: R00

Bar Mark	Qty	Size	Total Length	Type	X'	Y'	Z'	X'	Y'	Z'	X'	Y'	Z'	X'	Y'	Z'
5F06	15	#5	5'-2"	17			2'-4"	2'-10"								
5F16	28	#5	4'-0"	2	0'-10"		3'-2"									
5F19	3	#5	23'-5"	2	0'-10"		22'-7"									
5F20	14	#5	3'-3"	2	0'-10"		1'-7"				0'-10"					
5F21	46	#5	4'-0"	2	0'-10"		3'-2"									
7F04	12	#7	2'-8"	2	1'-2"		1'-5"									
7F05	12	#7	3'-2"	2	1'-2"		2'-0"									
7F06	306	#7	3'-0"	2	1'-2"		1'-10"									
7F07	194	#7	3'-6"	2	1'-2"		2'-4"									



**ALL BARS IN THIS DRAWING
ASTM A615 GRADE 60
BLACK UNCOATED**

RETAINING WALL SCHEDULE

WALL MARK	STEM THICK, ST	BARS "VB"	BARS "VO"	BARS "H"	REMARKS
RW-1	12"	#9 @ 18"	#9 @ 18"	#5 @ 18"	-
RW-1.1	12"	#5 @ 18"	#5 @ 18"	#5 @ 18"	-

FOR SHEAR & RETAINING WALL
TYPICAL DETAILS REFER R13

SHEAR WALL SCHEDULE

SHEAR WALL ID	WALL THICKNESS	FTG		P-1		P-2		P-3	
		VERTICAL REINFORCEMENT	HORIZONTAL REINFORCEMENT	VERTICAL REINFORCEMENT	HORIZONTAL REINFORCEMENT	VERTICAL REINFORCEMENT	HORIZONTAL REINFORCEMENT	VERTICAL REINFORCEMENT	HORIZONTAL REINFORCEMENT
SW-1.1	12"	#7 @ 12"	#5 @ 9"	12"	#7 @ 12"	#5 @ 9"	12"	#7 @ 12"	#5 @ 12"
SW-2.1	14"	#7 @ 12"	#5 @ 9"	14"	#7 @ 12"	#5 @ 9"	14"	#7 @ 12"	#5 @ 12"

TYPICAL REINFORCING BAR CLEARANCE TABLE

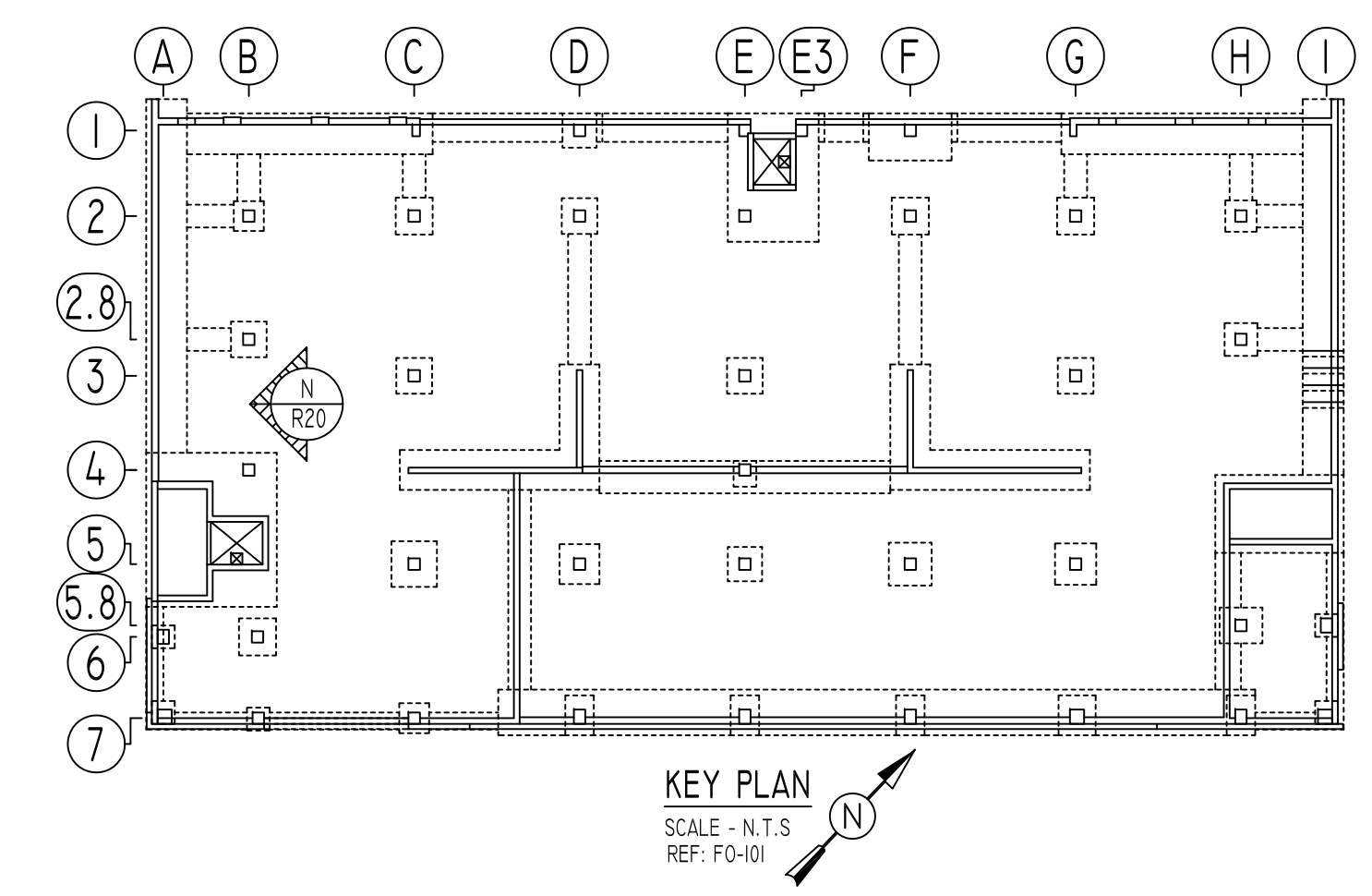
LOCATION	MIN. COVER
CONCRETE PLACED AGAINST EARTH	3" CLR
FORMED CONCRETE EXPOSED TO EARTH	2" CLR
SLAB ON GRADE TOP & BOTTOM	2" CLR
SLAB TOP & BOTTOM	2" CLR
BEAM ALL SIDES	2" CLR
INTERIOR FACES OF WALL	2" CLR
COLUMNS OR PIERS (MAIN REINFORCEMENT)	2" CLR

LAP SCHEDULE

SIZE	5000 PSI	
	TOP	OTHERS
#3	1'-11"	1'-5"
#4	2'-6"	1'-11"
#5	3'-1"	2'-4"
#6	3'-9"	2'-10"
#7	5'-4"	4'-1"
#8	6'-11"	4'-8"
#9	6'-10"	5'-3"
#10	7'-9"	5'-11"

LD SCHEDULE

SIZE	5000 PSI	
	TOP	OTHERS
#3	1'-5"	1'-1"
#4	1'-11"	1'-5"
#5	2'-4"	1'-10"
#6	2'-10"	2'-2"
#7	4'-1"	3'-2"
#8	4'-8"	3'-6"
#9	5'-3"	4'-0"
#10	5'-11"	4'-6"



KEY PLAN
SCALE - N.T.S.
REF: FO-101

Abbreviations:
 I.F.=Inside Face
 O.F.=Outside Face
 E.F.=Each Face
 V=Vertical
 H=Horizontal
 C.B.=Corner Bar
 S.DWL=Slab Dowel
 E.W.=Each Way
 B/BOT=Bottom
 T=Top
 MDWL=Masonry Dowel
 B.B.=Bond Beam
 ALT.=Alternate
 Approx.=Approximate

OPNG=Opening
 BAL=Balance
 BTW=Between
 C=Construction Joint
 CLR=CLEARANCE
 CMU=Concrete Masonry Unit
 CONT=Continuous
 EA=Each
 Elev=Elevation
 EMB=Embedment
 SW=Short Way
 LW=Long Way
 (BL)=Black Bar
 (EP)=Epoxy Bar
 (GA)=Galvanized

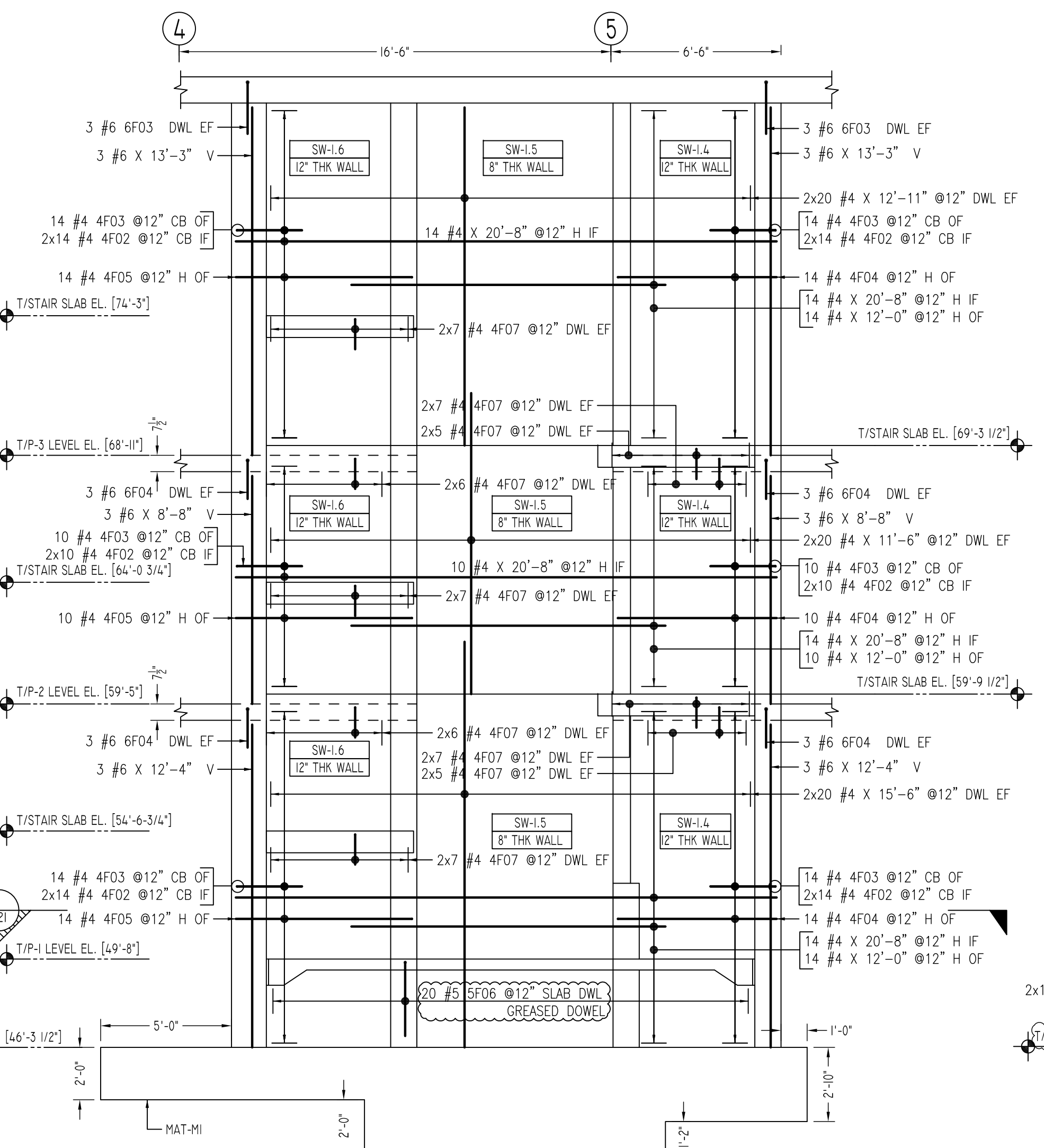
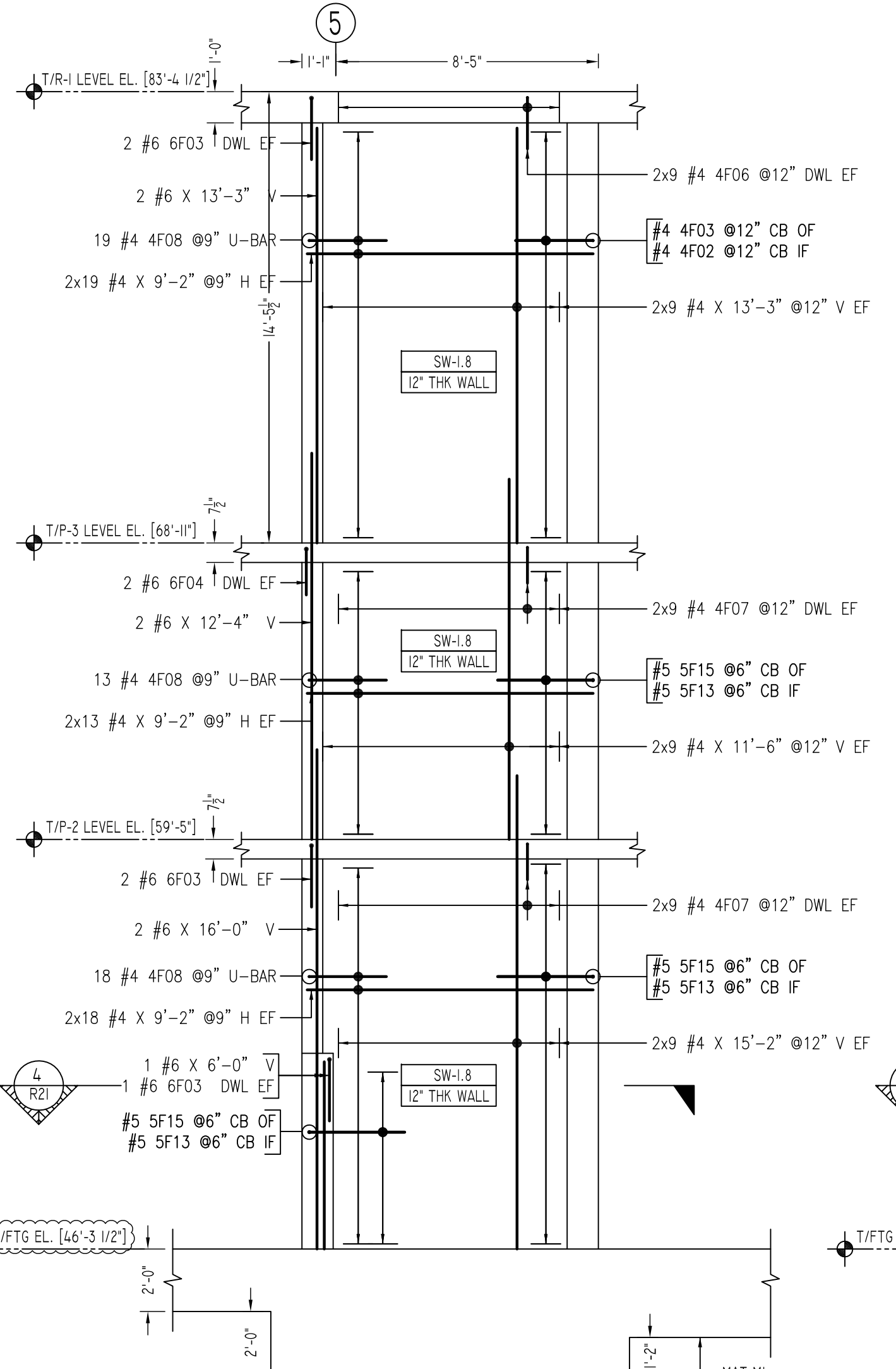
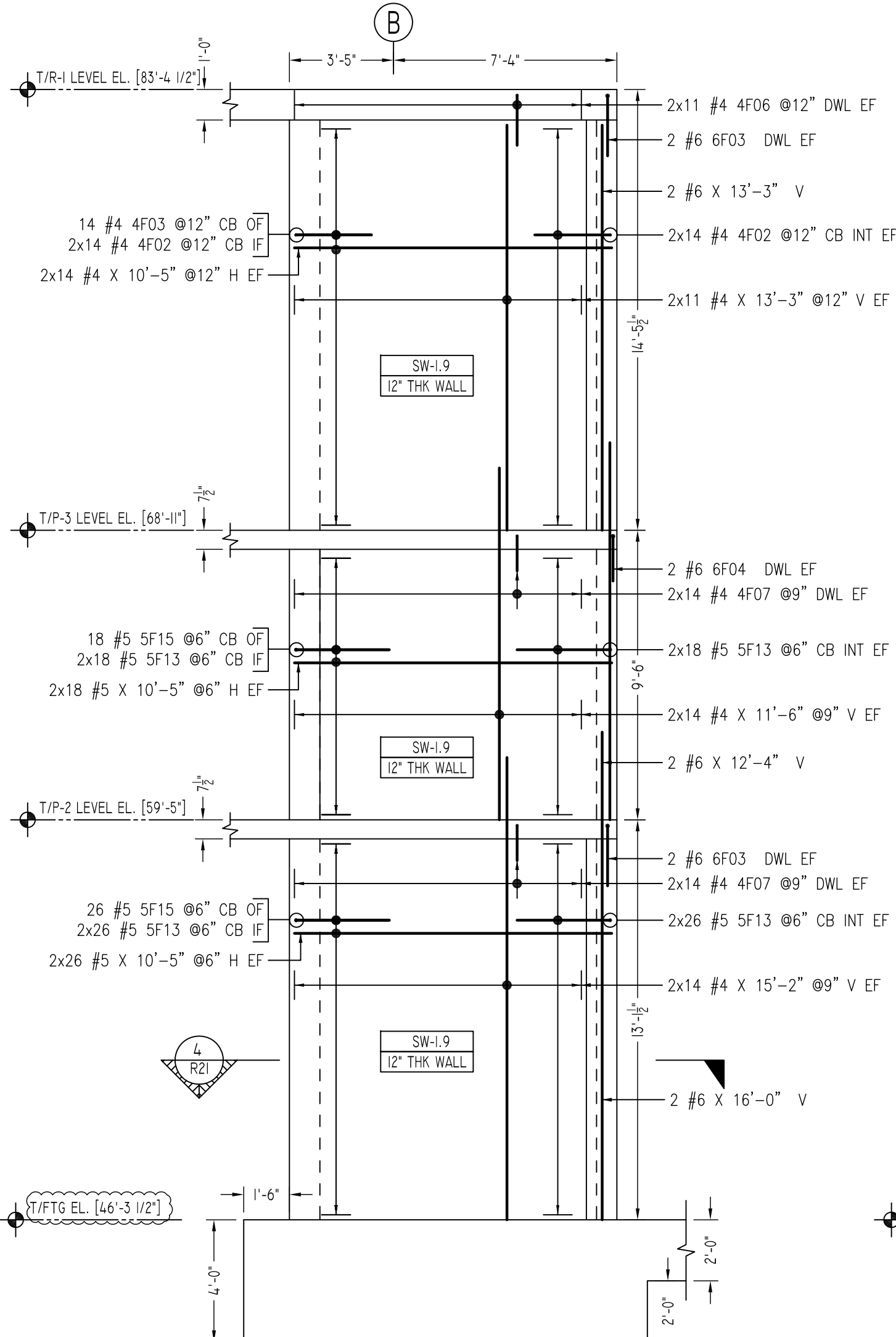
NOTICE

Shortages, improper fabrication or claims for any other reason must be reported to this company within a period of 15 days of delivery. This company reserves the right to field inspect prior to replacement or reconditioning of nonconforming material, and will not honor charges for work done in the field without specific authorization from this company.

REINFORCING STEEL PLACING DRAWINGS ONLY USE IN CONJUNCTION WITH CONTRACT DRAWINGS & SPECIFICATIONS. ELEVATIONS & DIMENSIONS SHOWN ON THIS DRAWING ARE FOR DETAILING PURPOSES ONLY AND SHOULD NOT BE USED FOR CONSTRUCTION UNLESS VERIFIED BY ENGINEER OR CONTRACTOR.

REVISION MARK	REVISION DETAILS	DATE
0	FOR APPROVAL	01/12/2021

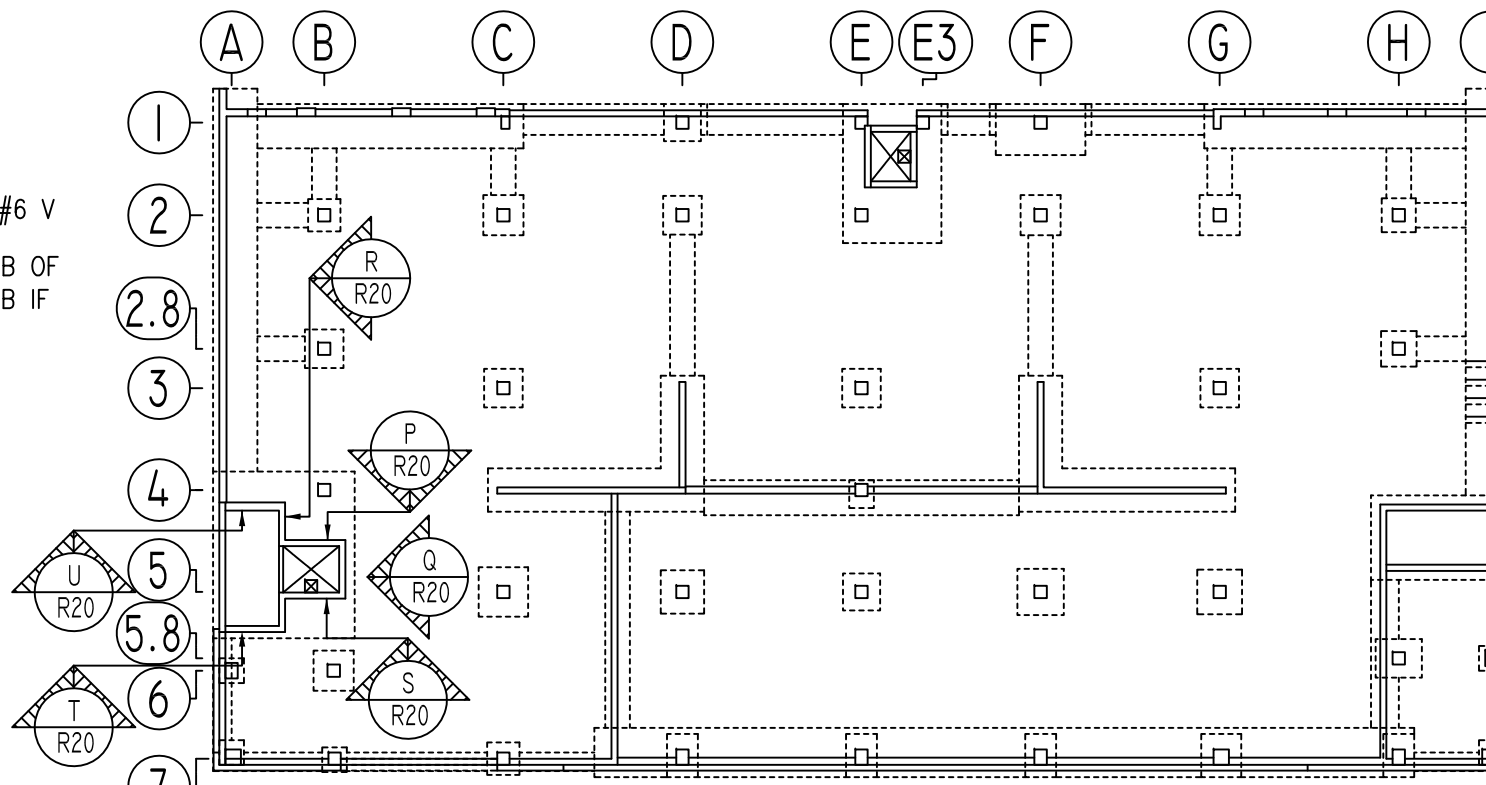
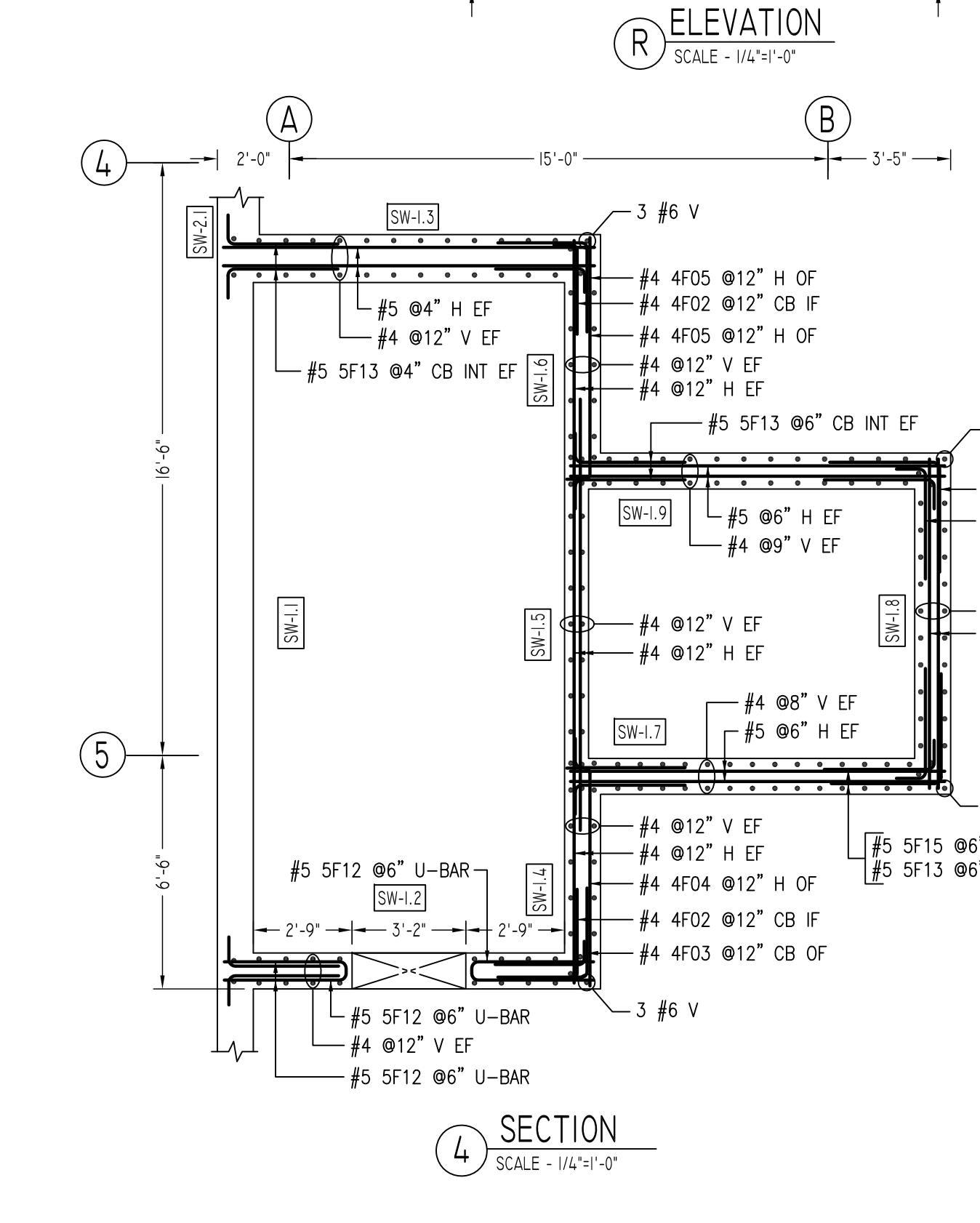
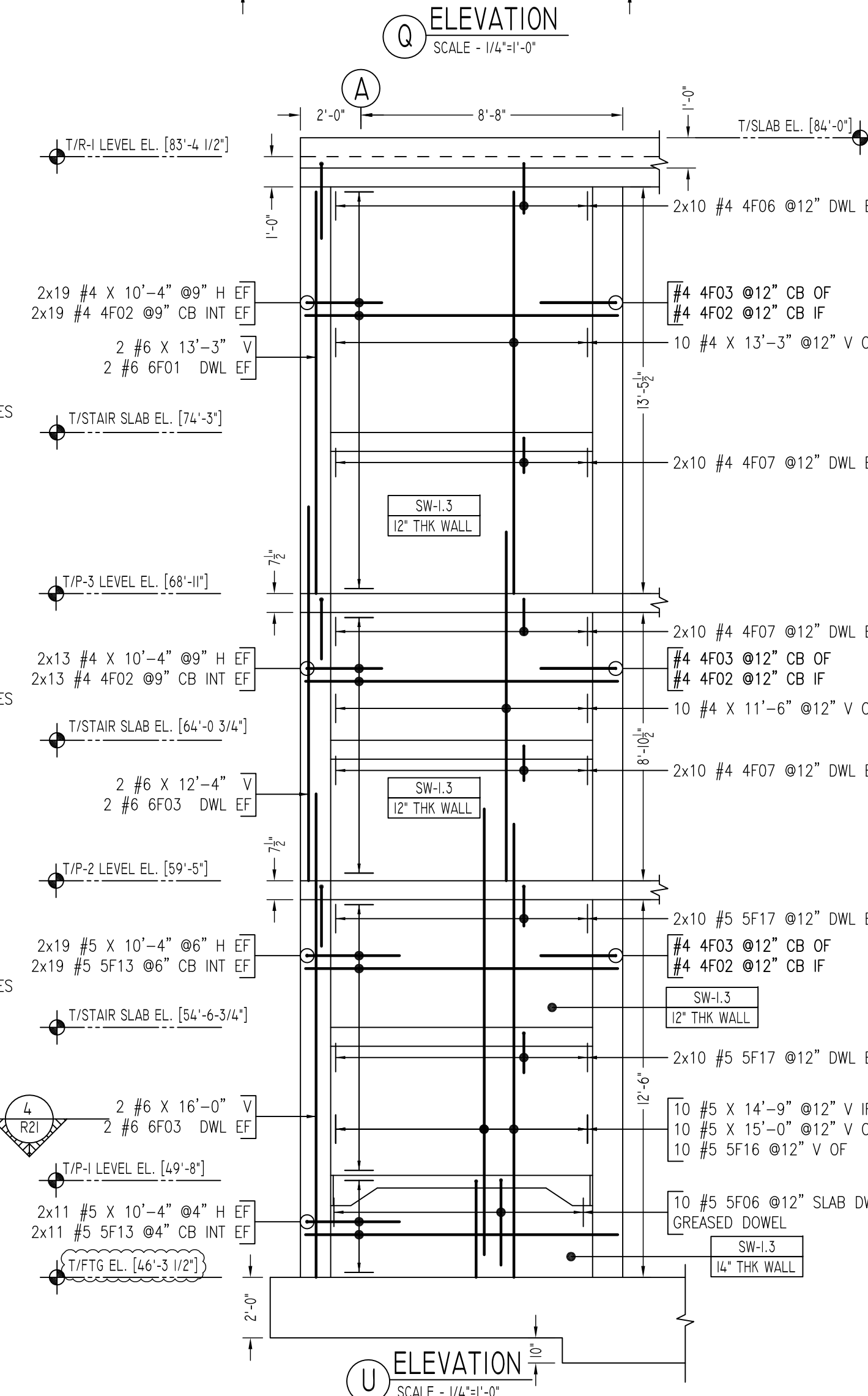
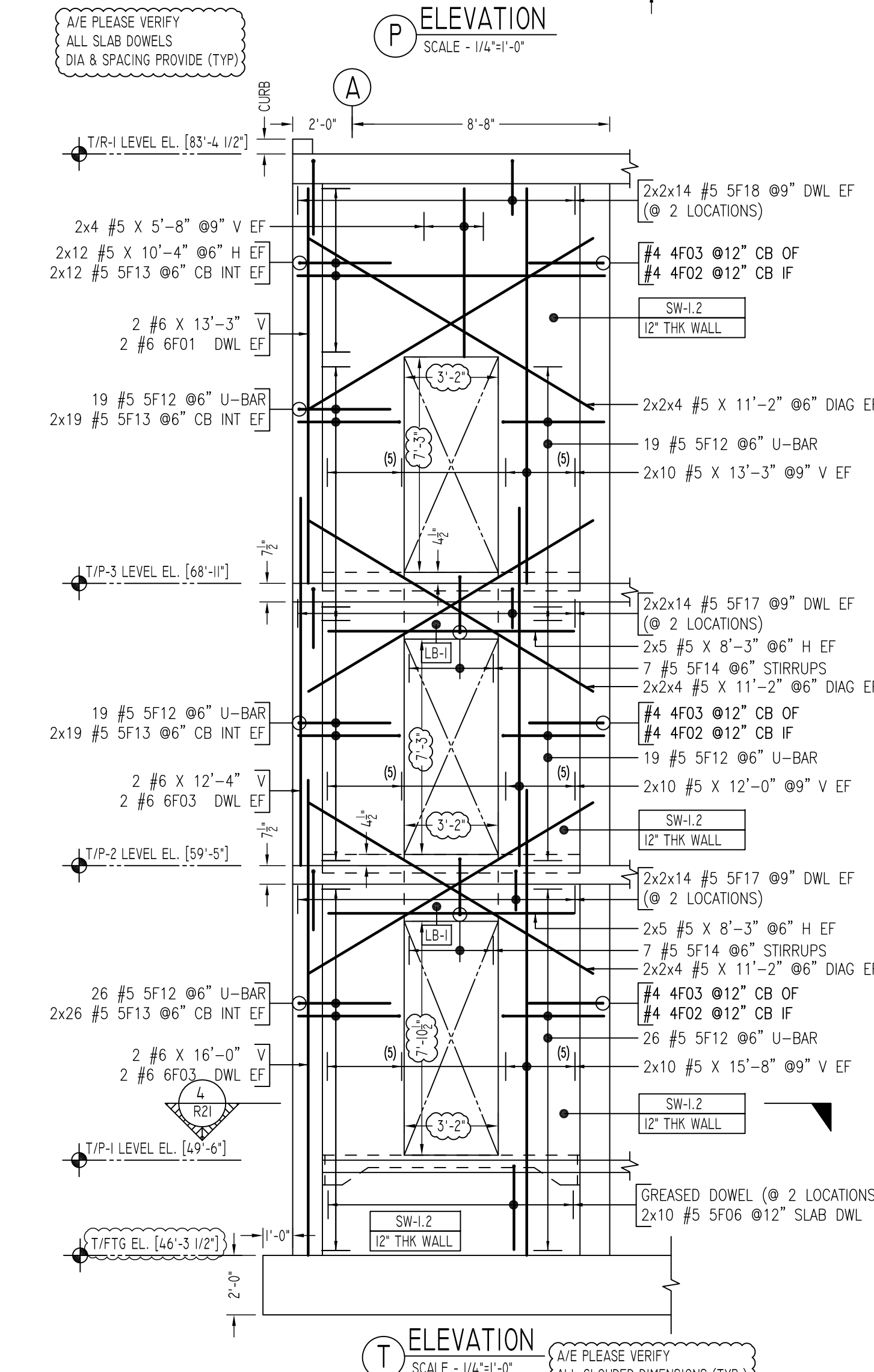
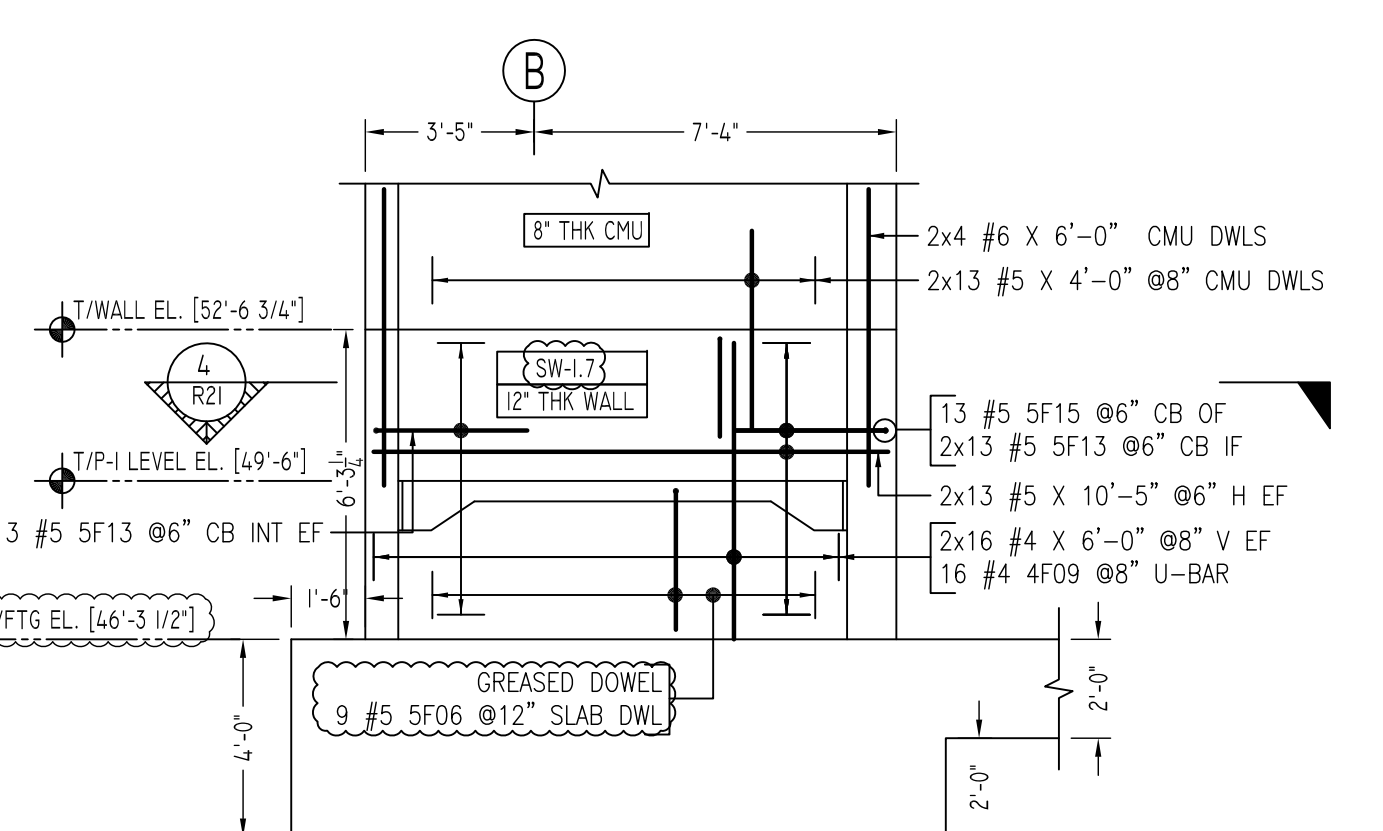
PROJECT	PEEKSKILL PARKING BUILDING						
LOCATION	645 MAIN STREET, PEEKSKILL NY 10556						
ARCHITECT	L&M DESIGN LLC						
ENGINEER	BUROEHRING						
CUSTOMER	JODI/SISCA						
DRAWN BY:	NSS/MRS	DATE:	01/12/21	REVIEWED BY:	T/L	JOB NO.:	21001
DRAWING TITLE:						DRAWING NO.:	
FOUNDATION TO R-1 LEVEL WALL REINFORCEMENT DETAILS						R20	



Bar Mark	Qty	Size	Total Length	Type	X'	Y'	Z'	W'	V'	U'	T'	S'	R'	Q'	P'	O'	N'	M'	L'	K'	J'	I'	H'	G'	F'	E'	D'	C'	B'	A'
4F02	272	#4	3'-2"	2	0'-8"	2'-6"																								
4F03	90	#4	5'-0"	17		2'-6"																								
4F04	38	#4	6'-9"	2	0'-8"	6'-11"																								
4F05	38	#4	7'-5"	2	0'-8"	6'-9"																								
4F06	60	#4	2'-4"	2	0'-8"	1'-8"																								
4F07	268	#4	1'-0"	2	0'-8"	1'-2"																								
4F08	50	#4	5'-7"	17		2'-6"	0'-7"	2'-6"																						
4F09	16	#4	4'-8"	17		2'-0"	0'-8"	2'-0"																						
5F06	58	#5	5'-2"	17		2'-4"	2'-10"																							
5F12	128	#5	7'-4"	17		3'-5"	0'-6"	3'-5"																						
5F13	440	#5	3'-11"	2	0'-10"	3'-11"																								
5F14	14	#5	6'-11"	11	0'-5"	0'-8"																								
5F15	53	#5	6'-2"	17		3'-1"	3'-1"																							
5F16	10	#5	4'-0"	2	0'-10"	3'-2"																								
5F17	152	#5	2'-2"	2	0'-10"	1'-4"																								
5F18	58	#5	2'-8"	2	0'-10"	1'-10"																								
6F01	4	#6	3'-6"	2	1'-0"	2'-6"																								
6F03	23	#6	3'-0"	2	1'-0"	2'-0"																								
6F04	18	#6	2'-6"	2	1'-0"	1'-6"																								

ALL BARS IN THIS DRAWING
ASTM A615 GRADE 60
BLACK UNCOATED

FOR SHEAR & RETAINING WALL SCHEDULE &
TYPICAL DETAILS REFER R13



LOCATION	MIN. COVER
CONCRETE PLACED AGAINST EARTH	3" CLR
FORMED CONCRETE EXPOSED TO EARTH	2" CLR
SLAB ON GRADE TOP & BOTTOM	2" CLR
SLAB TOP & BOTTOM	2" CLR
BEAM ALL SIDES	2" CLR
INTERIOR FACES OF WALL	2" CLR
COLUMNS OR PIERS (MAIN REINFORCEMENT)	2" CLR

SIZE	5000 PSI	
	TOP	OTHERS
#3	1'-11"	1'-5"
#4	2'-6"	1'-11"
#5	3'-1"	2'-4"
#6	3'-9"	2'-10"
#7	5'-4"	4'-4"
#8	6'-1"	4'-8"
#9	6'-10"	5'-3"
#10	7'-9"	5'-11"

SIZE	5000 PSI	
	TOP	OTHERS
#3	1'-5"	1'-1"
#4	1'-11"	1'-5"
#5	2'-4"	1'-10"
#6	2'-10"	2'-2"
#7	4'-1"	3'-2"
#8	4'-8"	3'-6"
#9	5'-3"	4'-0"
#10	5'-11"	4'-6"

FOR SHEAR & RETAINING WALL SCHEDULE &
TYPICAL DETAILS REFER R13

Abbreviations:
I.F.=Inside Face
O.F.=Outside Face
E.F.=Each Face
CJ=Construction Joint
CLR=Clearance
V=Vertical
H=Horizontal
C.B.=Corner Bar
S.DWL=Slab Dowel
E.W.=Each Way
B/BOT=Bottom
T=Top
MDWL=Masonry Dowel
B.B.=Bond Beam
ALT.=Alternate
Approx.=Approximate

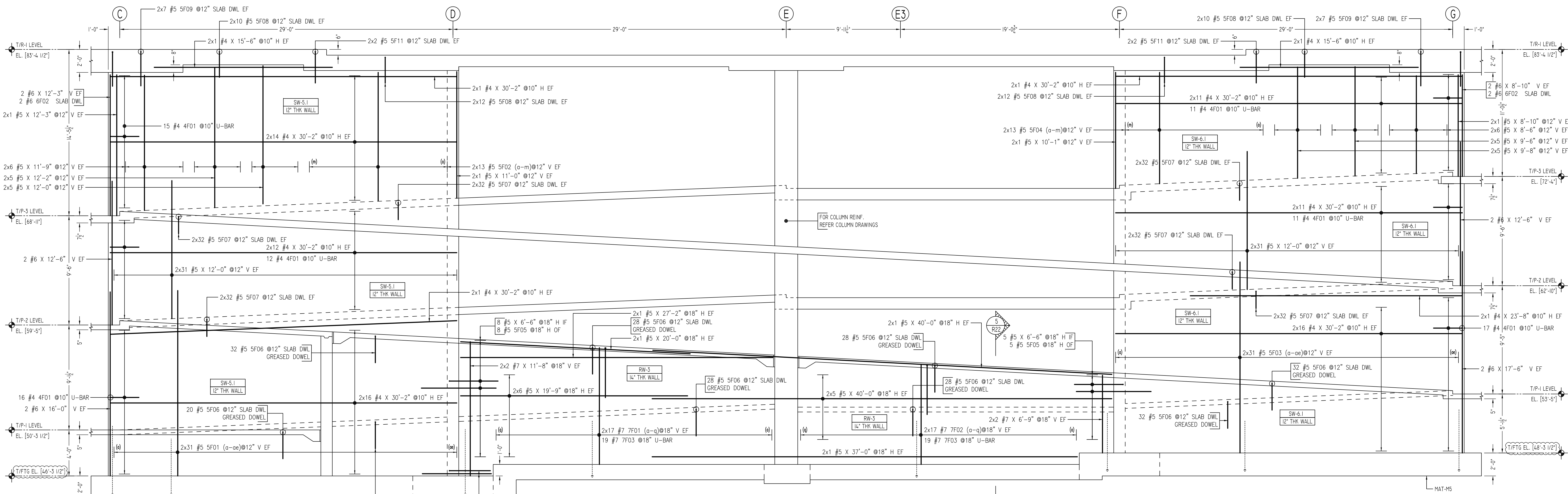
OPNG=Opening
BAL=Balance
BTW=Between
CJ=Construction Joint
CLR=Clearance
CMU=Concrete Masonry Unit
CONT=Continuous
EA=Each
Elev.=Elevation
EMB=Embedment
SW=Short Way
LW=Long Way
(BL)=Black Bar
(EP)=Epoxy Bar
(GA)=Galvanized

NOTICE
Shortages, improper fabrication or claims for any other reason must be reported to this company within a period of 15 days of delivery. This company reserves the right to field inspect prior to replacement or reconditioning of nonconforming material, and will not honor charges for work done in the field without specific authorization from this company.

REINFORCING STEEL PLACING DRAWINGS ONLY USE IN CONJUNCTION WITH CONTRACT DRAWINGS & SPECIFICATIONS. ELEVATIONS & DIMENSIONS SHOWN ON THIS DRAWING ARE FOR DETAILING PURPOSES ONLY AND SHOULD NOT BE USED FOR CONSTRUCTION UNLESS VERIFIED BY ENGINEER OR CONTRACTOR.

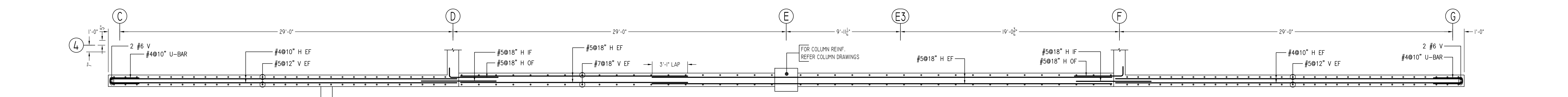
REVISION MARK	REVISION DETAILS	DATE
0	FOR APPROVAL	01/12/2021

PROJECT	PEEKSKILL PARKING BUILDING
LOCATION	645 MAIN STREET, PEEKSKILL NY 10556
ARCHITECT	L&M DESIGN LLC
ENGINEER	BUROHEHRING
CUSTOMER	JODI/SISCA
DRAWN BY:	NSS/MRS
DATE:	01/12/21
REVIEWED BY:	T/L
JOB NO.:	21001
DRAWING TITLE:	FOUNDATION TO R-1 LEVEL WALL REINFORCEMENT DETAILS
DRAWING NO.:	R21



ELEVATION
SCALE - 1/4"=1'-0"

A/E PLEASE VERIFY ALL SLAB DWELS DIA & SPACING PROVIDE (TYP)



PLAN VIEW
SCALE - 1/4"=1'-0"

Release Number: R22

Bar Mark	Qty	Size	Total Length	Type	X'	Y'	Z'	W'	V'	U'	T'	S'	R'	Q'	P'	O'	N'	M'	L'	K'	J'	I'	H'	G'	F'	E'	D'	C'	B'	A'	
401	82	#4	5-8 X 17			2'-4"	0'-6 X 4"	2'-6"																							
510a	2	#5	15'-0"			15'-0"																									
510b	2	#5	11'-0"			11'-0"																									
510c	2	#5	15'-0"			15'-0"																									
510d	2	#5	11'-0"			11'-0"																									
510e	2	#5	15'-0"			15'-0"																									
510f	2	#5	11'-0"			11'-0"																									
510g	2	#5	15'-0"			15'-0"																									
510h	2	#5	11'-0"			11'-0"																									
510i	2	#5	15'-0"			15'-0"																									
510j	2	#5	11'-0"			11'-0"																									
510k	2	#5	15'-0"			15'-0"																									
510l	2	#5	11'-0"			11'-0"																									
510m	2	#5	15'-0"			15'-0"																									
510n	2	#5	11'-0"			11'-0"																									
510o	2	#5	15'-0"			15'-0"																									
510p	2	#5	11'-0"			11'-0"																									
510q	2	#5	15'-0"			15'-0"																									
510r	2	#5	11'-0"			11'-0"																									
510s	2	#5	15'-0"			15'-0"																									
510t	2	#5	11'-0"			11'-0"																									
510u	2	#5	15'-0"			15'-0"																									
510v	2	#5	11'-0"			11'-0"																									
510w	2	#5	15'-0"			15'-0"																									
510x	2	#5	11'-0"			11'-0"																									
510y	2	#5	15'-0"			15'-0"																									
510z	2	#5	11'-0"			11'-0"																									
511a	8	#5	3'-7"			2'-9"																									
511b	4	#6	4'-0"			3'-0"																									
511c	2	#7	9'-4"			9'-4"																									
511d	2	#7	10'-7"			10'-7"																									
511e	2	#7	7'-11"			7'-11"																									
511f	2	#7	9'-2"			9'-2"																									
511g	38	#7	9'-6"			4'-4"																									

SHEAR WALL SCHEDULE

SHEAR WALL ID	WALL THICKNESS	FTG		P-1		P-2		P-3	
		VERTICAL REINFORCEMENT	HORIZONTAL REINFORCEMENT	VERTICAL REINFORCEMENT	HORIZONTAL REINFORCEMENT	VERTICAL REINFORCEMENT	HORIZONTAL REINFORCEMENT	VERTICAL REINFORCEMENT	HORIZONTAL REINFORCEMENT
SW-5.1	12"	#5 @12"	#4 @10"	#5 @12"	#4 @10"	#5 @12"	#4 @10"	#5 @12"	#4 @10"
SW-6.1	14"	#5 @12"	#4 @10"	#5 @12"	#4 @10"	#5 @12"	#4 @10"	#5 @12"	#4 @10"

TYPICAL REINFORCING BAR CLEARANCE TABLE

LOCATION	MIN. COVER
CONCRETE PLACED AGAINST EARTH	3" CLR
FORMED CONCRETE EXPOSED TO EARTH	2" CLR
SLAB ON GRADE TOP & BOTTOM	2" CLR
SLAB TOP & BOTTOM	2" CLR
BEAM ALL SIDES	2" CLR
INTERIOR FACES OF WALL	2" CLR
COLUMNS OR PIERS (MAIN REINFORCEMENT)	2" CLR

LAP SCHEDULE

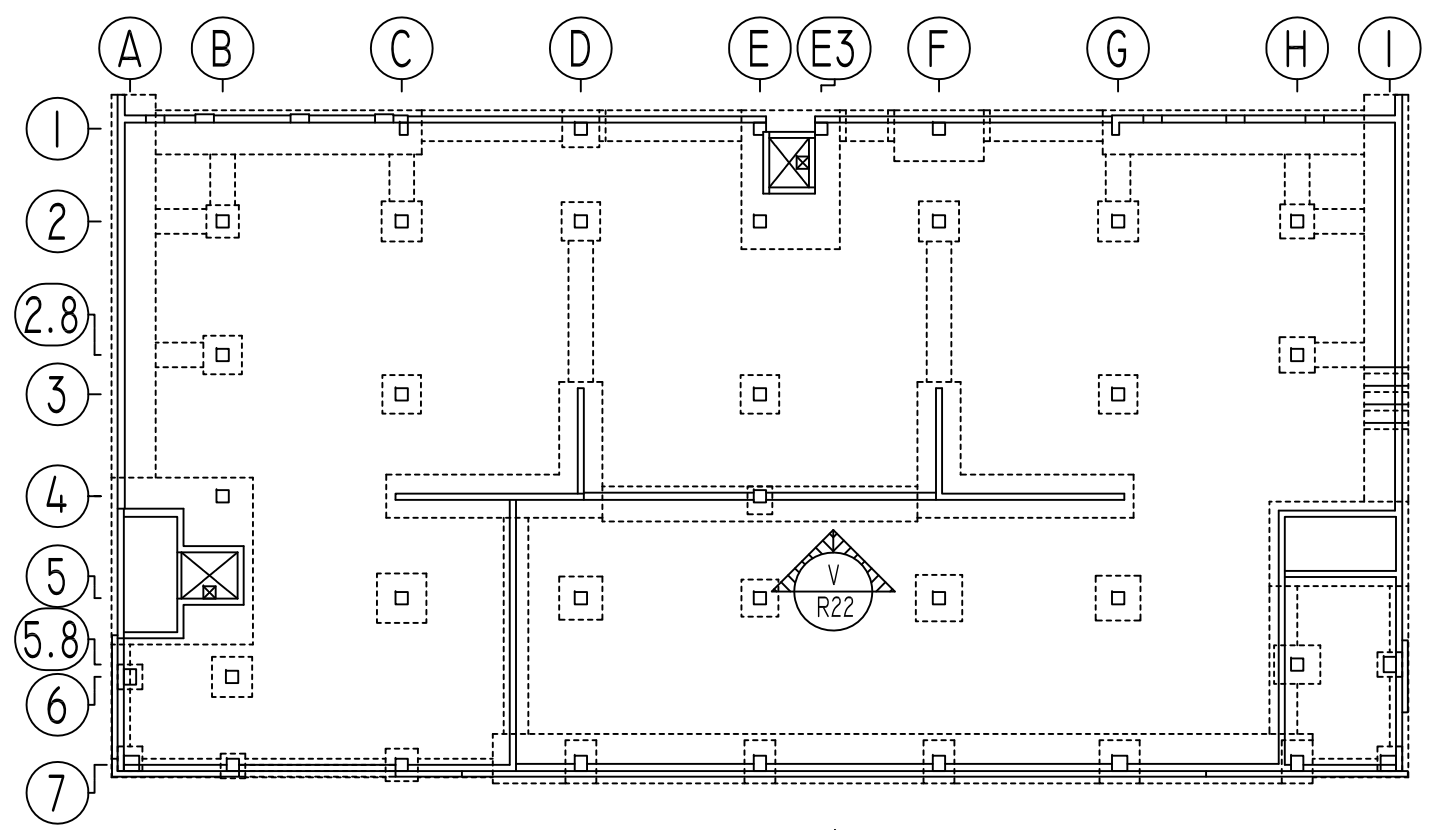
SIZE	5000 PSI	
	TOP	OTHERS
#3	1'-11"	1'-5"
#4	2'-6"	1'-11"
#5	3'-1"	2'-4"
#6	3'-9"	2'-10"
#7	5'-4"	4'-1"
#8	6'-1"	4'-8"
#9	6'-10"	5'-3"
#10	7'-9"	5'-11"

LD SCHEDULE

SIZE	5000 PSI	
	TOP	OTHERS
#3	1'-5"	1'-1"
#4	1'-11"	1'-5"
#5	2'-4"	1'-10"
#6	2'-10"	2'-2"
#7	4'-1"	3'-2"
#8	4'-8"	3'-6"
#9	5'-3"	4'-0"
#10	5'-11"	4'-6"

RETAINING WALL SCHEDULE

WALL MARK	STEM THICK, ST	BAR #/8"	BAR #/10"	BAR #/12"	REMARKS
RW-3	14"	#7 @ 18"	#7 @ 18"	#5 @ 18"	



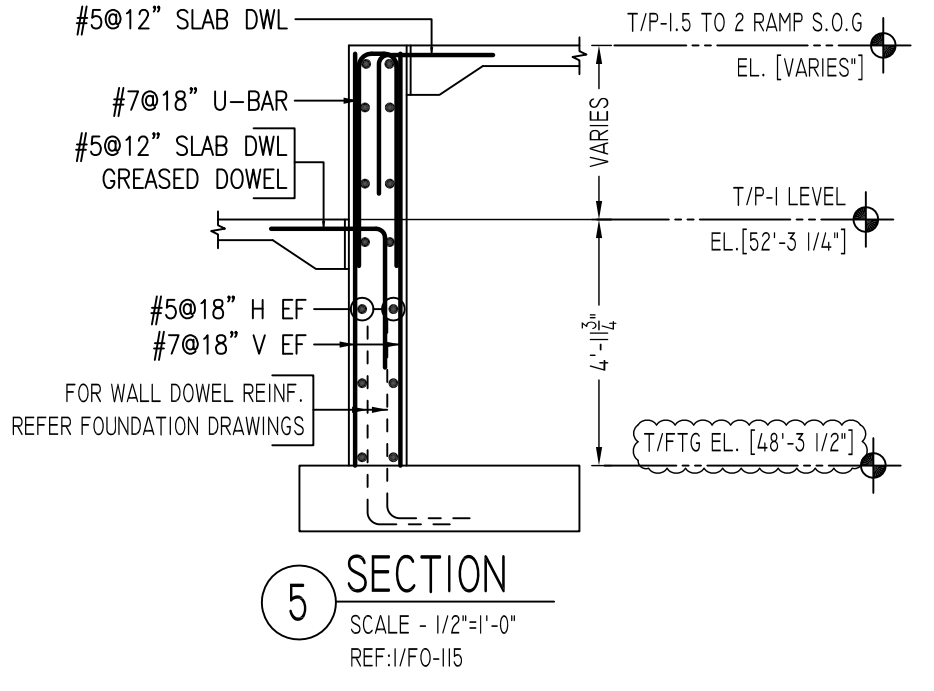
KEY PLAN
SCALE - N.T.S.
REF: FO-101

Abbreviations:
I.F.=Inside Face
O.F.=Outside Face
E.F.=Each Face
DWL=Dowel
V=Vertical
H=Horizontal
C.B.=Corner Bar
S.DWL=Slab Dowel
E.W.=Each Way
B/BOT=Bottom
T=Top
MDWL=Masonry Dowel
B.B.=Bond Beam
ALT.=Alternate
Approx.=Approximate

OPNG=Opening
BAL.=Balance
BTW=Between
CJ=Construction Joint
CLR.=CLEARANCE
CMU=Concrete Masonry Unit
CONT.=Continuous
EA.=Each
Elev.=Elevation
EMB=Embedment
SW=Short Way
LW=Long Way
BL=Black Bar
EP=Epoxy Bar
GA=Galvanized

NOTICE
Shortages, improper fabrication or claims for any other reason must be reported to this company within a period of 15 days of delivery. This company reserves the right to field inspect prior to replacement or reconditioning of nonconforming material, and will not honor charges for work done in the field without specific authorization from this company.

REINFORCING STEEL PLACING DRAWINGS ONLY USE IN CONJUNCTION WITH CONTRACT DRAWINGS & SPECIFICATIONS. ELEVATIONS & DIMENSIONS SHOWN ON THIS DRAWING ARE FOR DETAILING PURPOSES ONLY AND SHOULD NOT BE USED FOR CONSTRUCTION UNLESS VERIFIED BY ENGINEER OR CONTRACTOR.



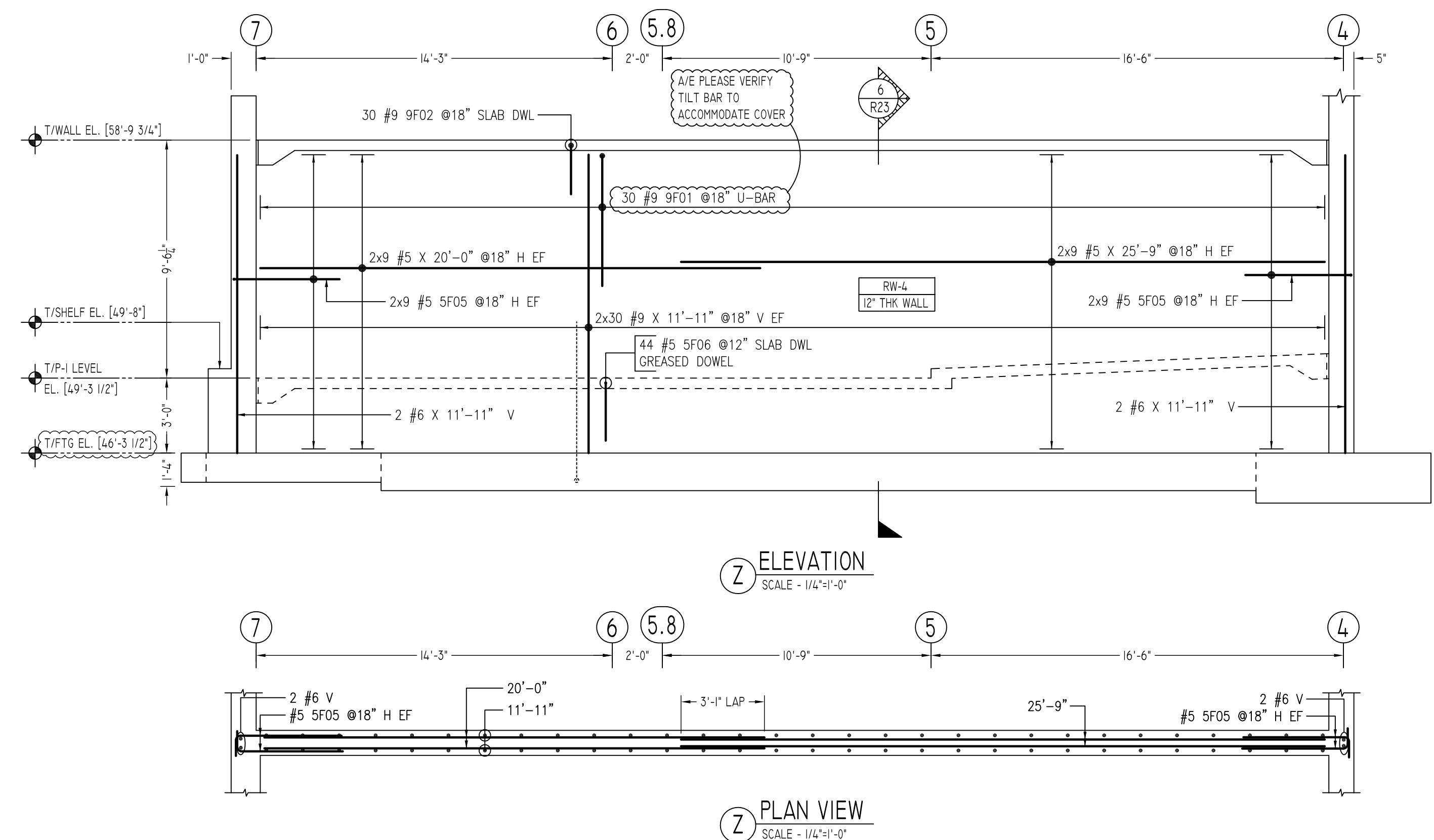
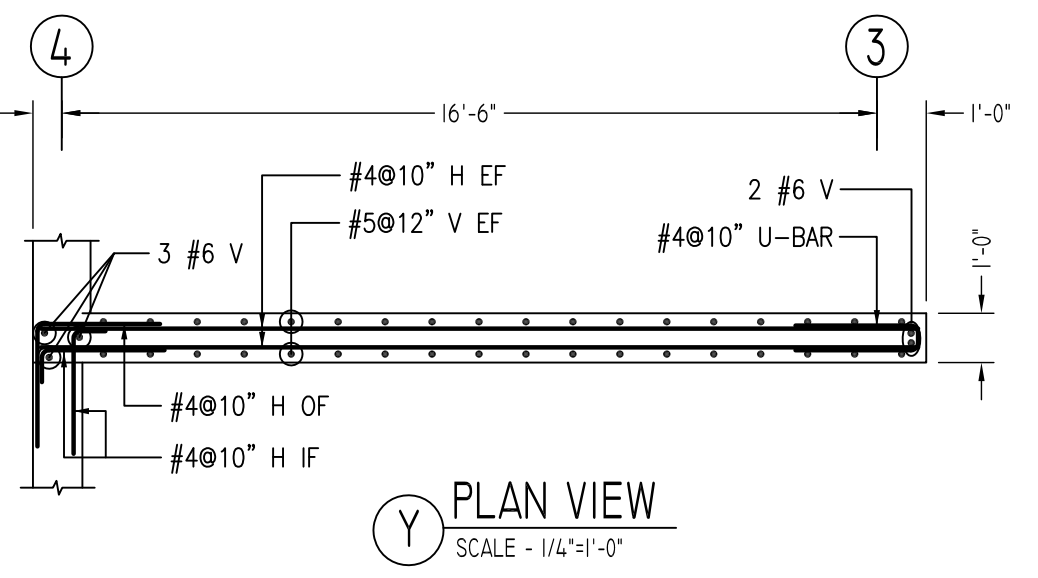
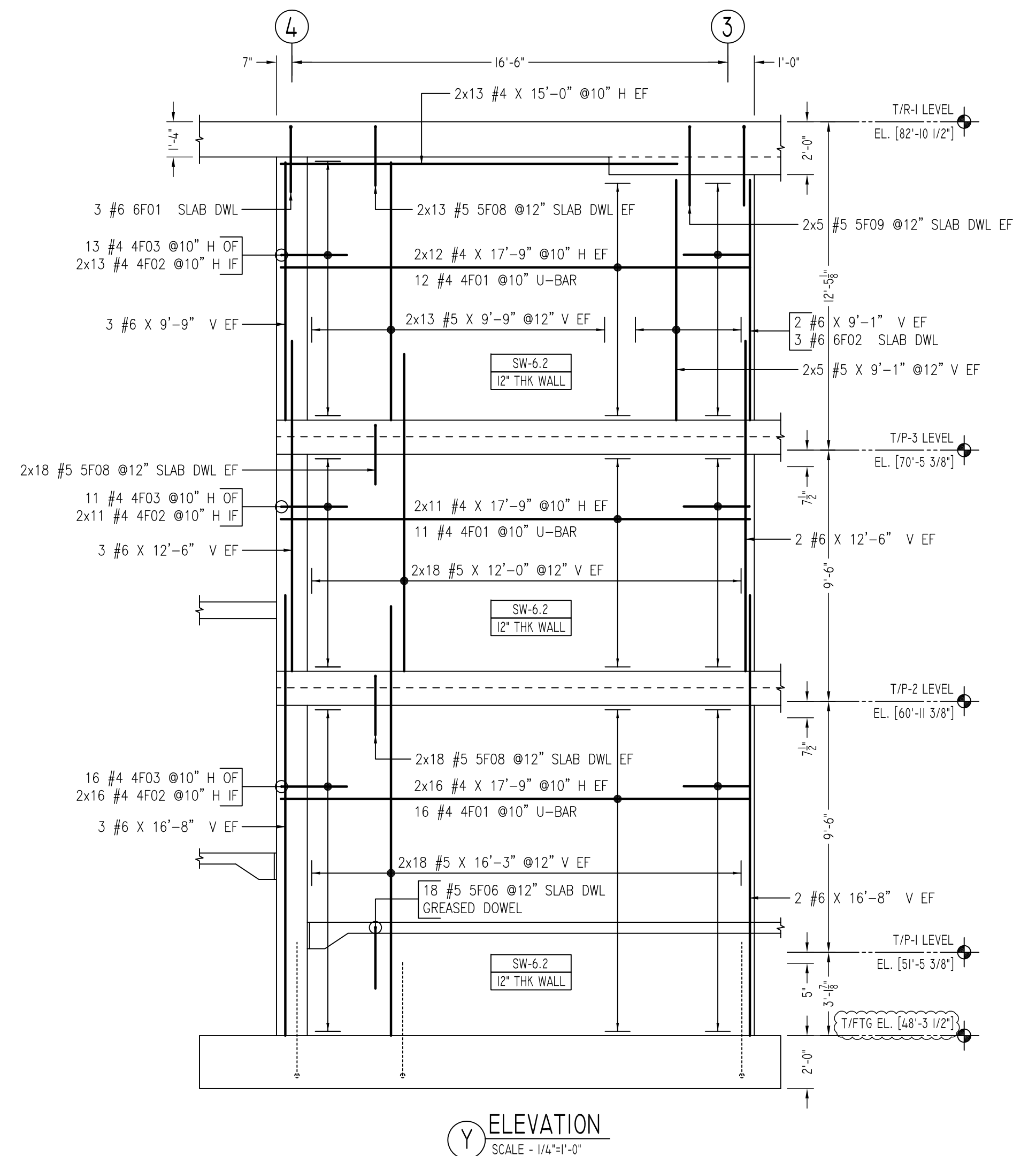
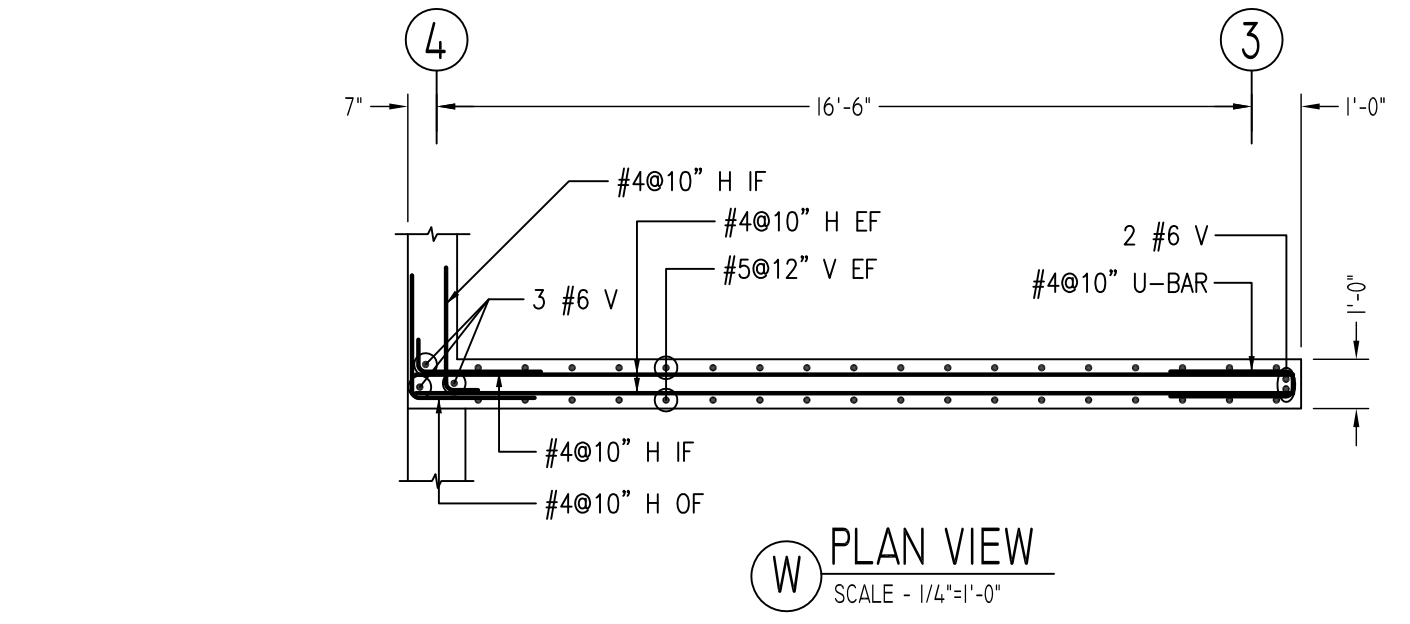
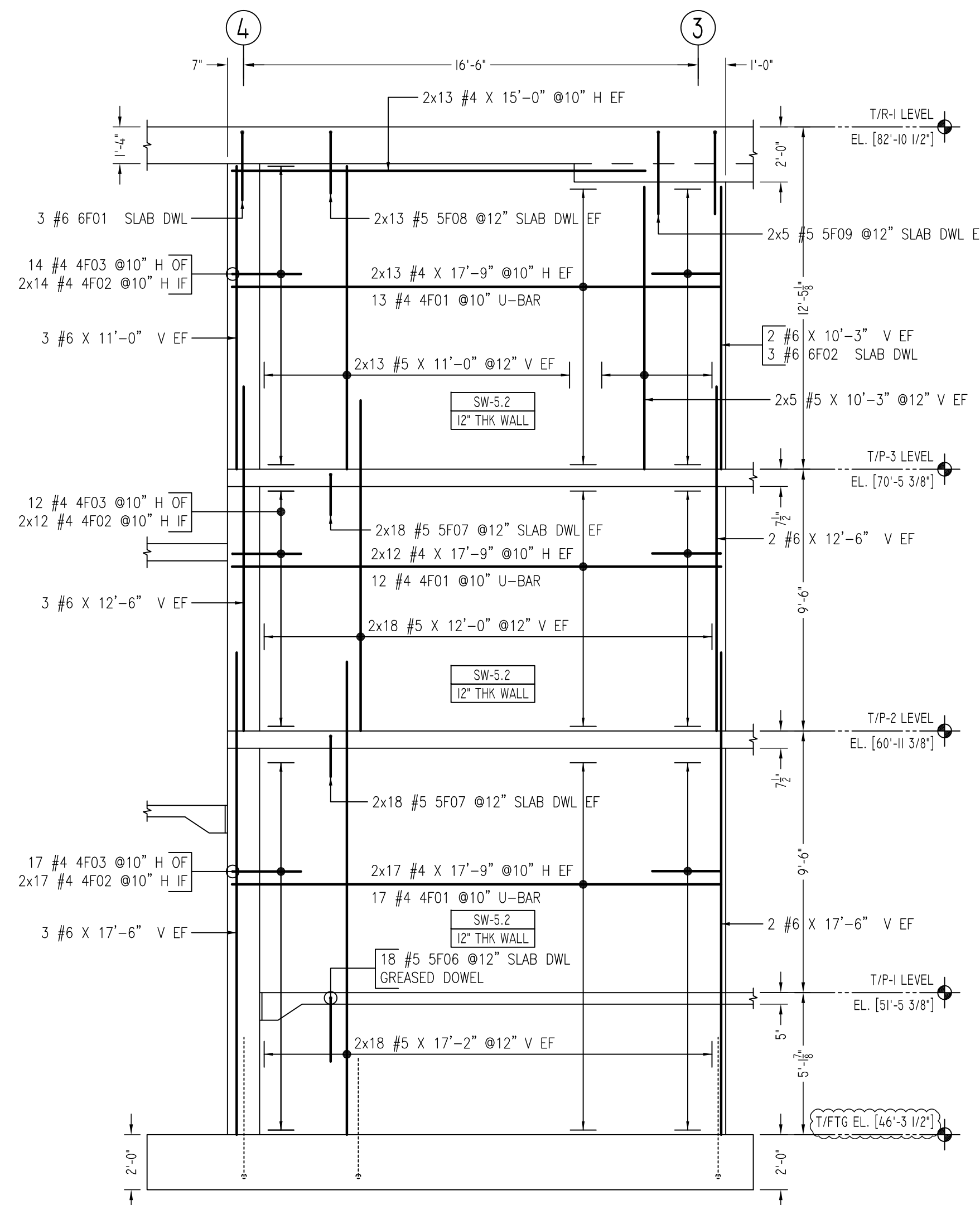
SECTION
SCALE - 1/2"=1'-0"
REF: FO-105

REVISION MARK	REVISION DETAILS	DATE
0	FOR APPROVAL	01/12/2021

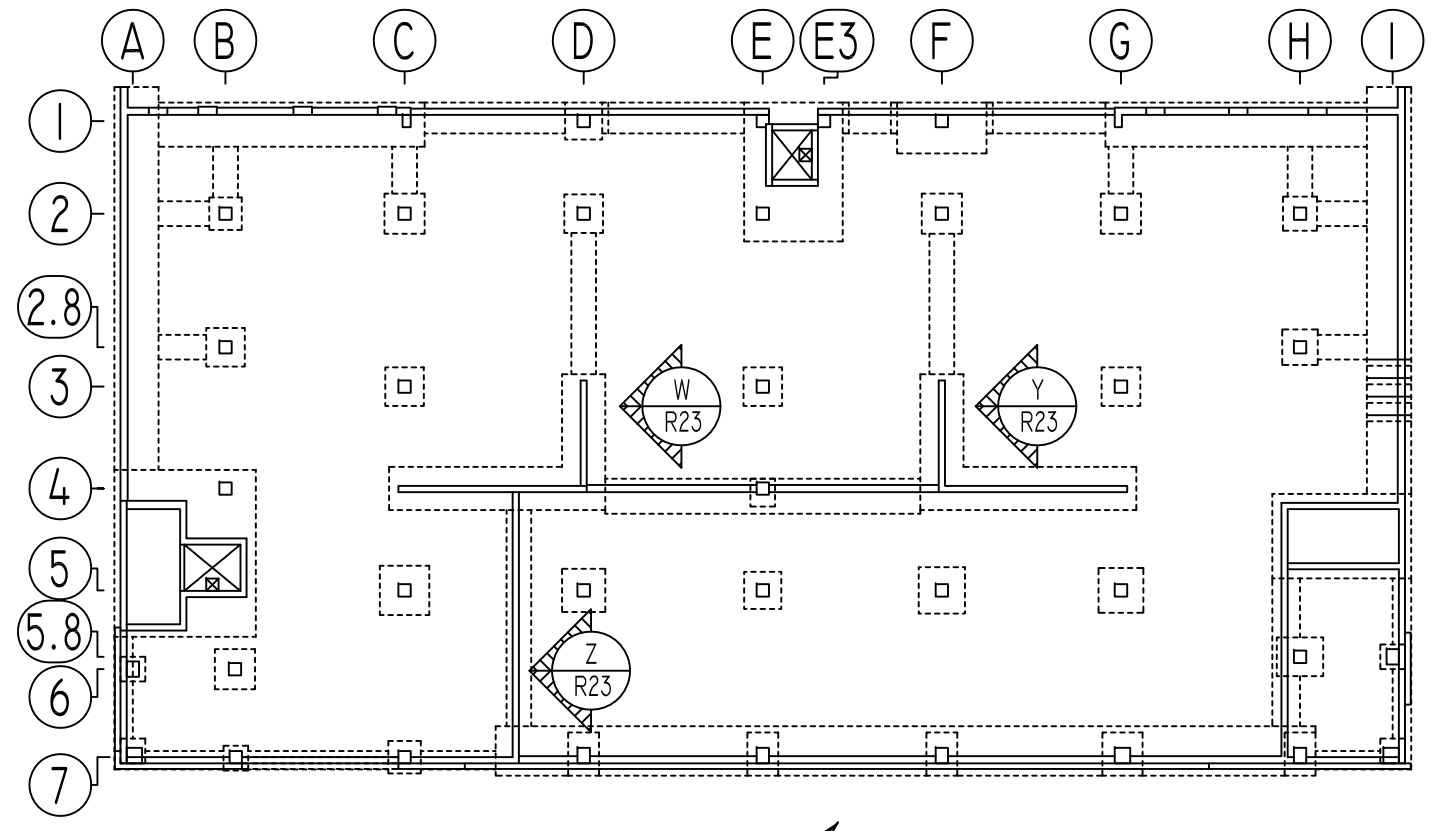
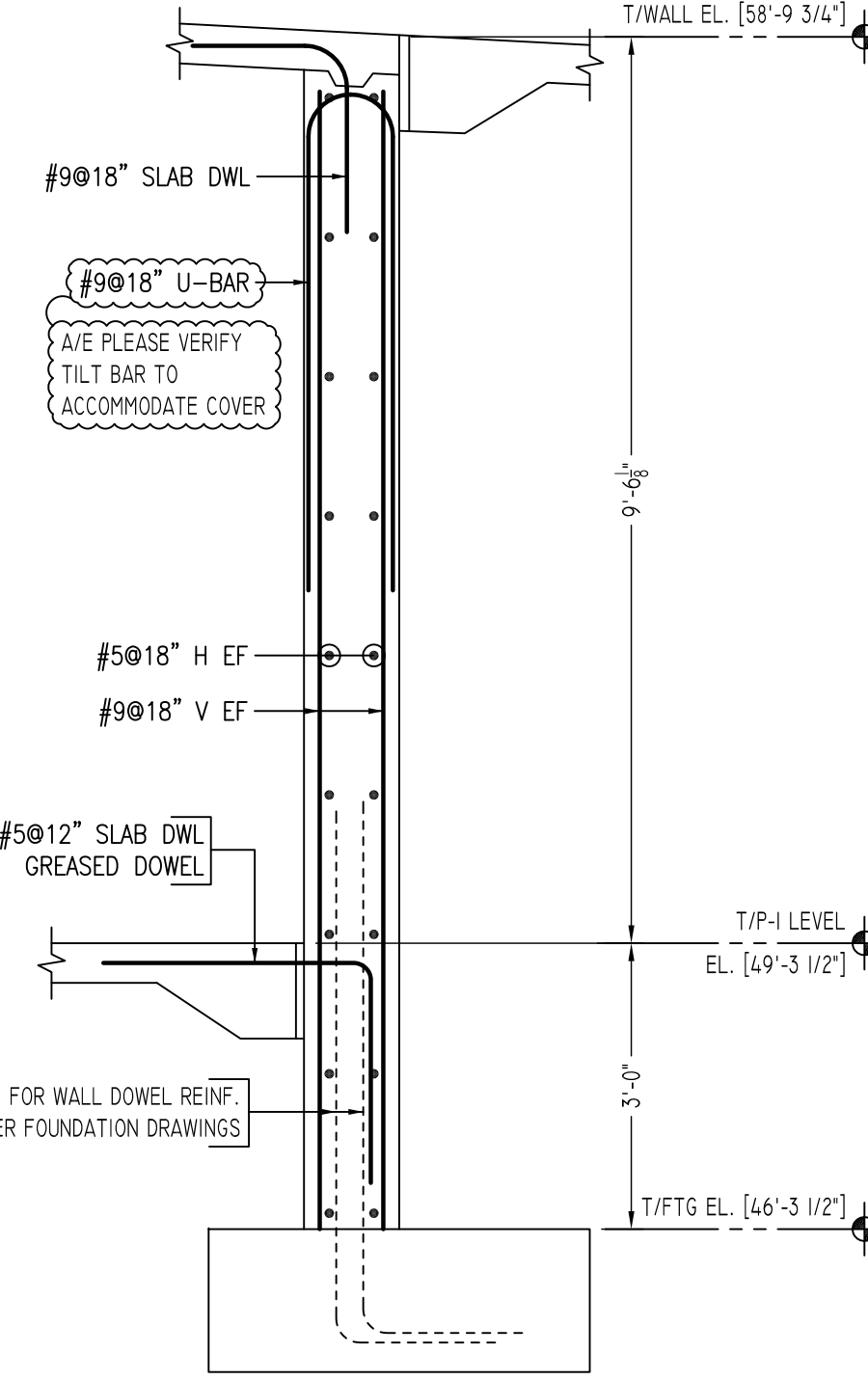
ALL BARS IN THIS DRAWING
ASTM A615 GRADE 60
BLACK UNCOATED

FOR SHEAR & RETAINING WALL
TYPICAL DETAILS REFER R13

PROJECT	PEEKSKILL PARKING BUILDING
LOCATION	645 MAIN STREET, PEEKSKILL NY 10556
ARCHITECT	L&M DESIGN LLC
ENGINEER	BUREOHRING
CUSTOMER	JUDI/SISCA
DRAWN BY:	NSS/MRS
DATE:	01/12/21
REVIEWED BY:	T/L
JOB NO.:	21001
DRAWING TITLE:	FOUNDATION TO R-1 LEVEL WALL REINFORCEMENT DETAILS
DRAWING NO.:	R22



FOR SHEAR & RETAINING WALL TYPICAL DETAILS REFER R13



Bar Mark	Qty	Size	Total Length	Type	X'	Y'	Z'	W'	V'	U'	T'	S'	R'	Q'	P'	O'	N'	M'	L'	K'	J'	I'	H'	G'	F'	E'	D'	C'	B'	A'							
401	8	#4	5'-6"	17	2'-6"	0'-6"	2'-6"																														
402	166	#4	3'-2"	2	0'-8"	2'-6"																															
403	83	#4	5'-0"	17	2'-6"	2'-6"																															
506	38	#5	5'-1"	2	0'-10"	4'-3"																															
506	80	#5	5'-2"	17	2'-4"	2'-10"																															
507	72	#5	2'-4"	2	0'-10"	1'-6"																															
508	124	#5	3'-1"	2	0'-10"	2'-3"																															
509	28	#5	3'-10"	2	0'-10"	2'-0"																															
601	8	#6	3'-6"	2	1'-0"	2'-6"																															
602	6	#6	4'-0"	2	1'-0"	3'-0"																															
901	30	#9	11'-5 1/2"	17	5'-3"	5'-3"																															
902	30	#9	3'-8"	17	2'-0"																																

SHEAR WALL SCHEDULE												
SHEAR WALL ID	WALL THICKNESS	FTG		P-1		P-2		P-3		WALL THICKNESS	VERTICAL REINFORCEMENT	HORIZONTAL REINFORCEMENT
		VERTICAL REINFORCEMENT	HORIZONTAL REINFORCEMENT	WALL THICKNESS	VERTICAL REINFORCEMENT	HORIZONTAL REINFORCEMENT	WALL THICKNESS	VERTICAL REINFORCEMENT	HORIZONTAL REINFORCEMENT			
SW-5.2	12"	#5 @12"	#4 @10"	12"	#5 @12"	#4 @10"	12"	#5 @12"	#4 @10"	12"	#5 @12"	#4 @10"
SW-6.2	14"	#5 @12"	#4 @10"	14"	#5 @12"	#4 @10"	14"	#5 @12"	#4 @10"	14"	#5 @12"	#4 @10"

TYPICAL REINFORCING BAR CLEARANCE TABLE	
LOCATION	MIN. COVER
CONCRETE PLACED AGAINST EARTH	3" CLR
FORMED CONCRETE EXPOSED TO EARTH	2" CLR
SLAB ON GRADE TOP & BOTTOM	2" CLR
SLAB TOP & BOTTOM	2" CLR
BEAM ALL SIDES	2" CLR
INTERIOR FACES OF WALL	2" CLR
COLUMNS OR PIERS (MAIN REINFORCEMENT)	2" CLR

LAP SCHEDULE		
SIZE	5000 PSI	
	TOP	OTHERS
#3	1'-11"	1'-5"
#4	2'-6"	1'-11"
#5	3'-1"	2'-4"
#6	3'-9"	2'-10"
#7	5'-4"	4'-1"
#8	6'-1"	4'-8"
#9	6'-10"	5'-3"
#10	7'-9"	5'-11"

LD SCHEDULE		
SIZE	5000 PSI	
	TOP	OTHERS
#3	1'-5"	1'-1"
#4	1'-11"	1'-5"
#5	2'-4"	1'-10"
#6	2'-10"	2'-2"
#7	4'-1"	3'-2"
#8	4'-8"	3'-6"
#9	5'-3"	4'-0"
#10	5'-11"	4'-6"

RETAINING WALL SCHEDULE					
WALL MARK	STEM THICK. ST	BAR# VB"	BAR# VO"	BAR# V1"	REMARKS
RW-4	12"	#9 @18"	#9 @18"	#5 @18"	-

ALL BARS IN THIS DRAWING
ASTM A615 GRADE 60
BLACK UNCOATED

Abbreviations:
I.F.=Inside Face
O.F.=Outside Face
E.F.=Each Face
DWL=Dowel
V=Vertical
H=Horizontal
C.B.=Corner Bar
S.DWL=Slab Dowel
E.W.=Each Way
B/BOT=Bottom
T=Top
MDWL=Masonry Dowel
B.B.=Bond Beam
ALT.=Alternate
Approx.=Approximate

OPNG=Opening
BAL: Balance
BTW=Between
CJ=Construction Joint
CLR=CLEARANCE
CMU=Concrete Masonry Unit
CONT=Continuous
EA=Each
Elev.=Elevation
EMB=Embedment
SW=Short Way
LW=Long Way
BL=Black Bar
EP=Epoxy Bar
GA=Galvanized

NOTICE
Shortages, improper fabrication or claims for any other reason must be reported to this company within a period of 15 days of delivery. This company reserves the right to field inspect prior to replacement or reconditioning of nonconforming material, and will not honor charges for work done in the field without specific authorization from this company.

REINFORCING STEEL PLACING DRAWINGS ONLY USE IN CONJUNCTION WITH CONTRACT DRAWINGS & SPECIFICATIONS. ELEVATIONS & DIMENSIONS SHOWN ON THIS DRAWING ARE FOR DETAILING PURPOSES ONLY AND SHOULD NOT BE USED FOR CONSTRUCTION UNLESS VERIFIED BY ENGINEER OR CONTRACTOR.

REVISION MARK	REVISION DETAILS	DATE
0	FOR APPROVAL	01/12/2021

PROJECT	PEEKSKILL PARKING BUILDING							
LOCATION	645 MAIN STREET, PEEKSKILL NY 10556							
ARCHITECT	L&M DESIGN LLC							
ENGINEER	BUROEHRING							
CUSTOMER	JODI/SISCA							
DRAWN BY:	NSS/MRS	DATE:	01/12/21	REVIEWED BY:	T/L	JOB NO.:	21001	
DRAWING TITLE:	FOUNDATION TO R-1 LEVEL WALL REINFORCEMENT DETAILS						DRAWING NO.:	R23