

TYPICAL REINFORCING BAR CLEARANCE TABLE

LOCATION	MIN. COVER
CONCRETE PLACED AGAINST EARTH	3\"/>
FORMED CONCRETE EXPOSED TO EARTH	2\"/>
SLAB ON GRADE TOP & BOTTOM	2\"/>
SLAB TOP & BOTTOM	2\"/>
BEAM ALL SIDES	2\"/>
INTERIOR FACES OF WALL	2\"/>
COLUMNS OR PIERS (MAIN REINFORCEMENT)	2\"/>

SHEAR WALL SCHEDULE-FTG

SHEAR WALL ID	WALL THICKNESS	VERTICAL REINFORCEMENT	HORIZONTAL REINFORCEMENT
SW-1.1	12"	#7 @12"	#5 @9"
SW-1.2	12"	#5 @9"	#5 @6"
SW-1.3	16"	#5 @12"	#5 @4"
SW-1.4	12"	#4 @12"	#4 @12"
SW-1.5	8"	#4 @12"	#4 @12"
SW-1.6	12"	#4 @12"	#4 @12"
SW-1.7	12"	#4 @8"	#5 @6"
SW-1.8	12"	#4 @8"	#4 @9"
SW-1.9	12"	#4 @9"	#5 @6"
SW-2.1	14"	#7 @12"	#5 @9"
SW-2.2	14"	#6 @6"	#6 @9"
SW-2.3	14"	#7 @12"	#7 @5"
SW-3.1	12"	#5 @6"	#5 @10"
SW-3.2	12"	#5 @10"	#5 @4"
SW-3.3	12"	#4 @12"	#5 @12"
SW-3.4	12"	#7 @12"	#6 @6"
SW-4.1	14"	#7 @12"	#6 @6"
SW-4.2	14"	#5 @6"	#5 @9"
SW-4.3	14"	#7 @12"	#7 @5"
SW-5.1	12"	#5 @12"	#4 @10"
SW-5.2	12"	#5 @12"	#4 @10"
SW-6.1	12"	#5 @12"	#4 @10"
SW-6.2	12"	#5 @12"	#4 @10"

LAP SCHEDULE

SIZE	5000 PSI	
	TOP	OTHERS
#3	1'-11"	1'-5"
#4	2'-6"	1'-11"
#5	3'-1"	2'-4"
#6	3'-9"	2'-10"
#7	5'-4"	4'-7"
#8	6'-4"	4'-8"
#9	6'-10"	5'-3"
#10	7'-9"	5'-11"

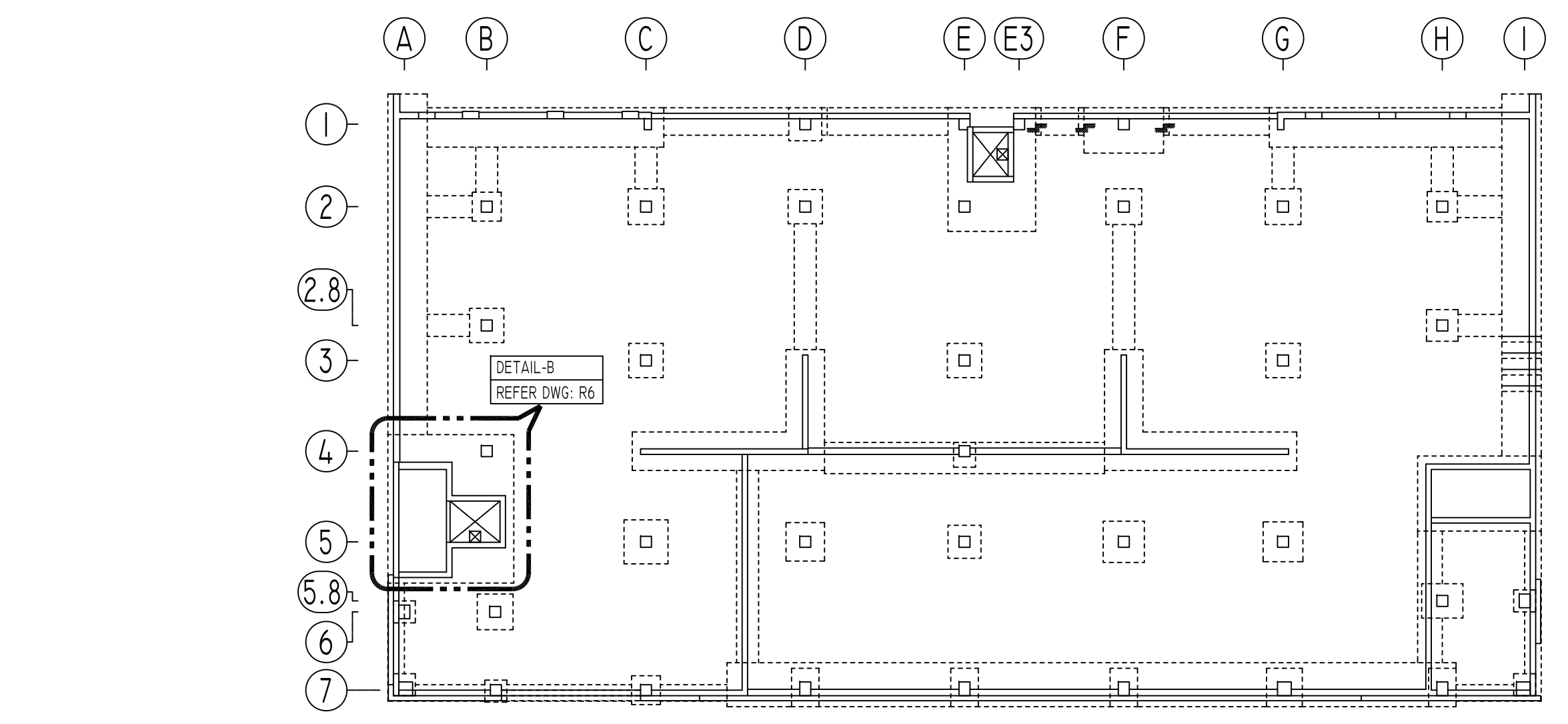
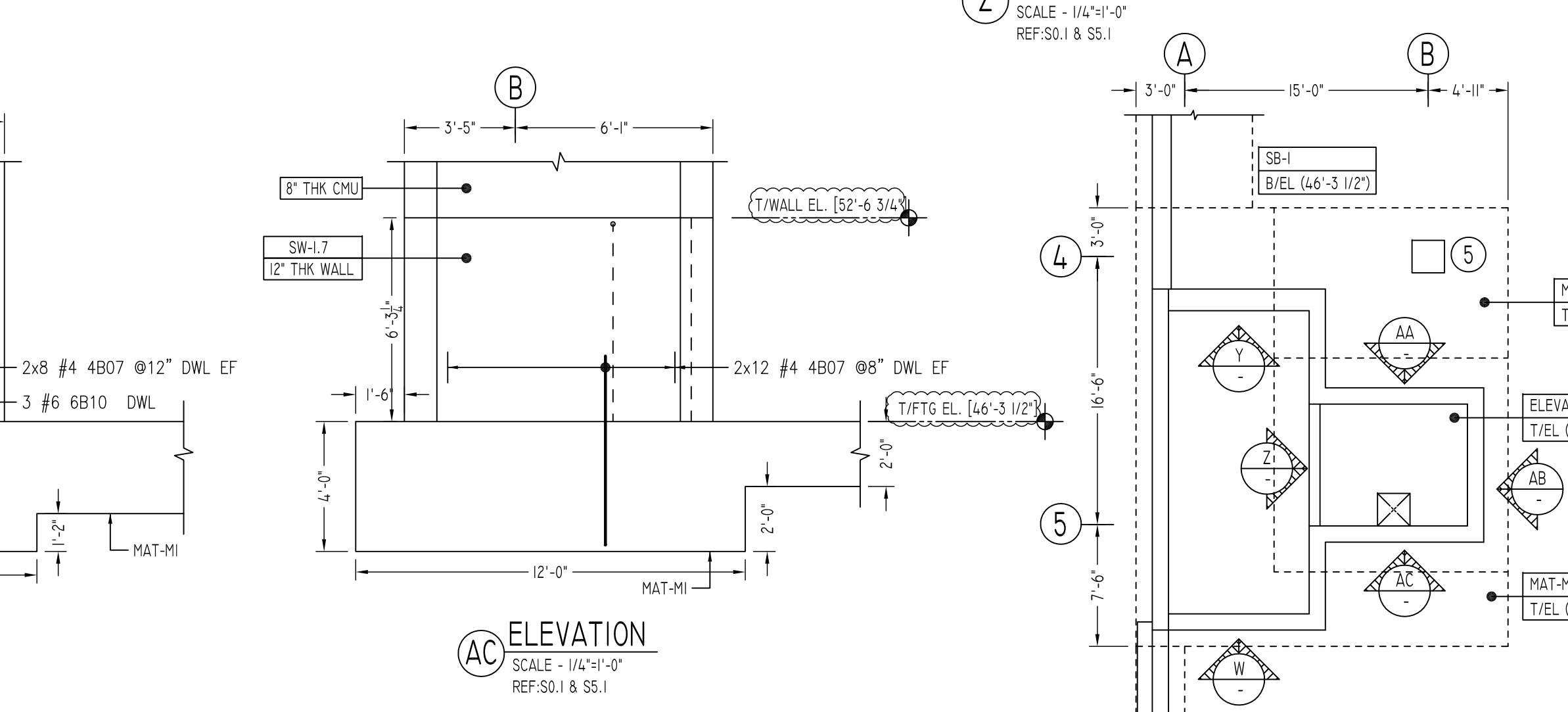
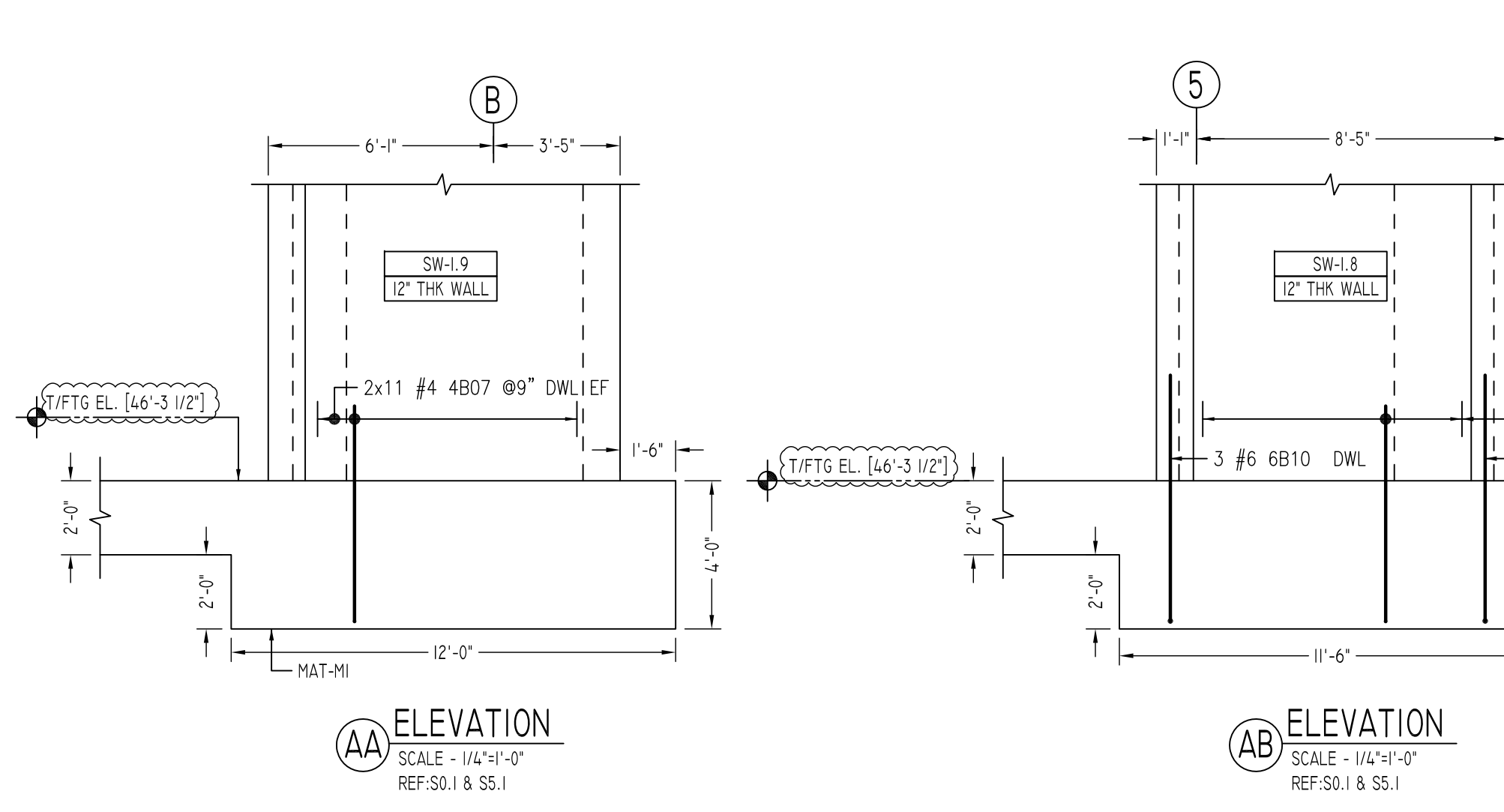
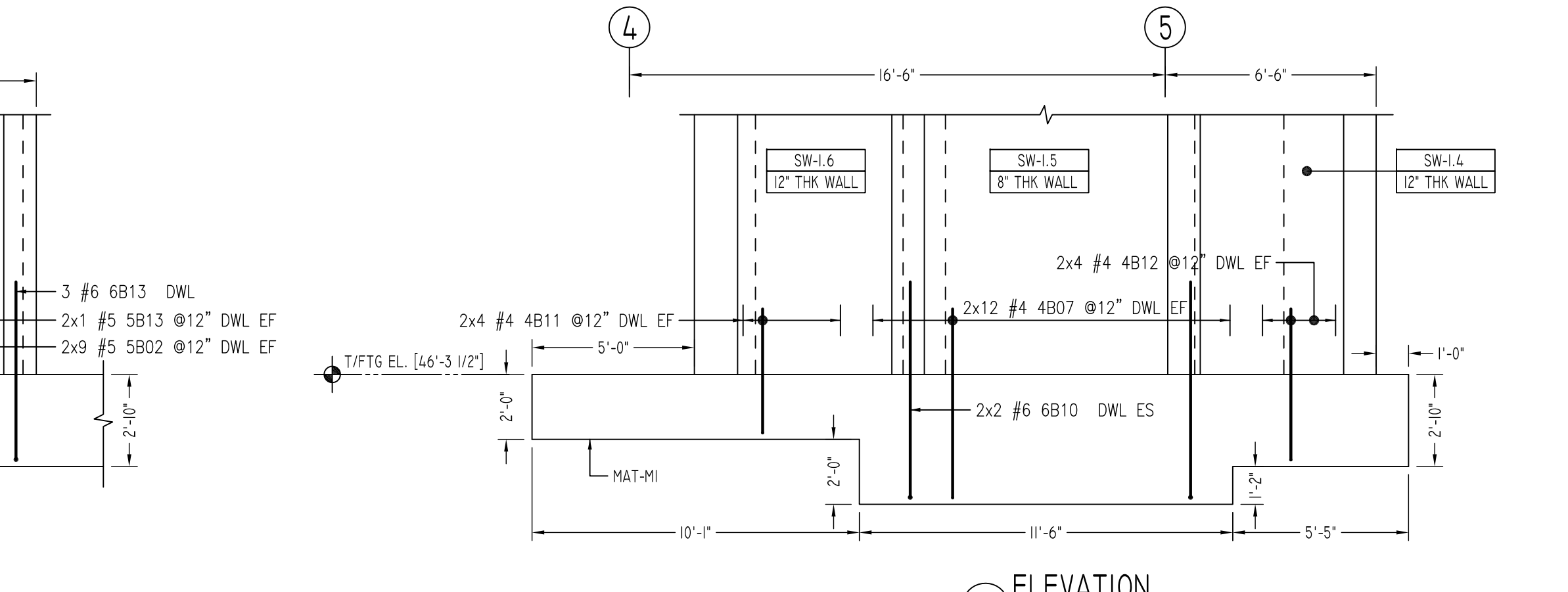
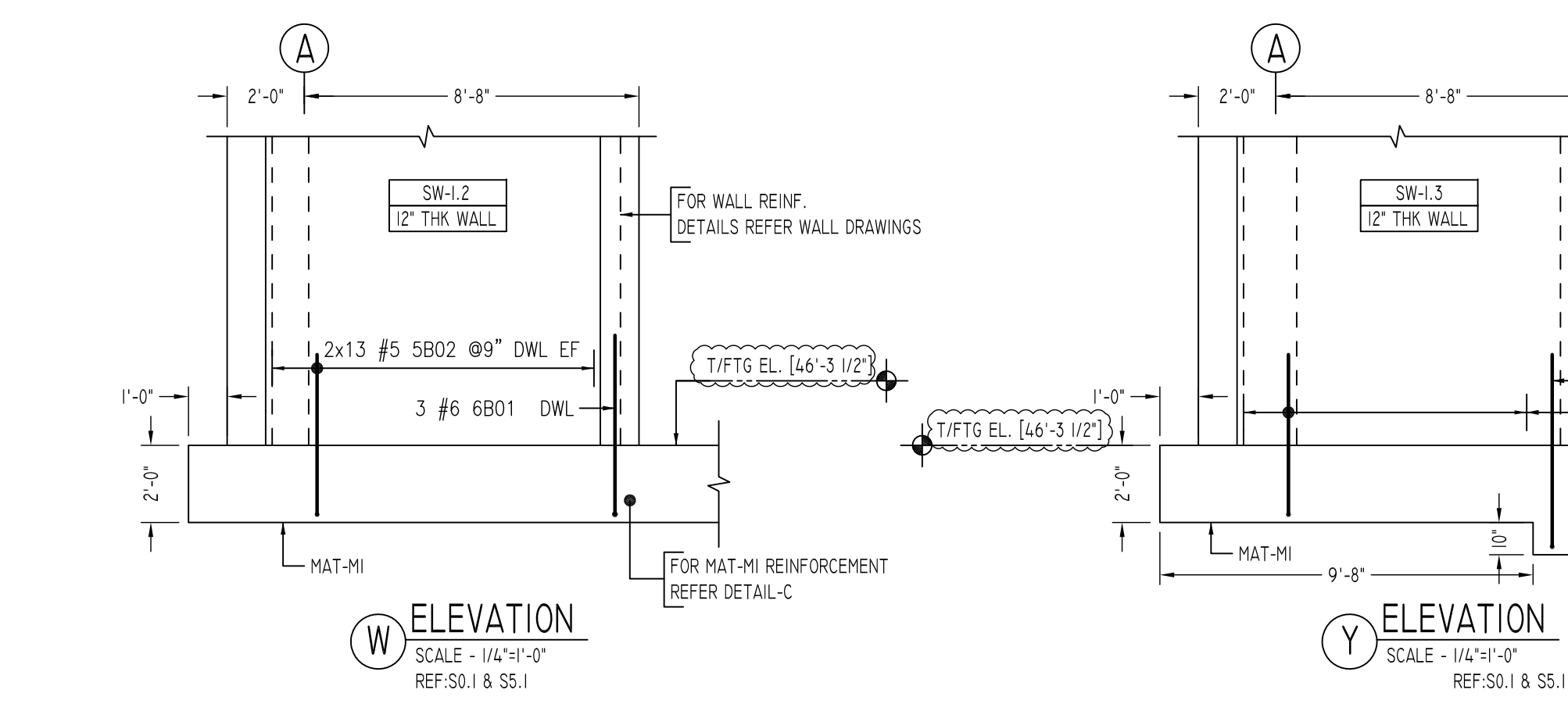
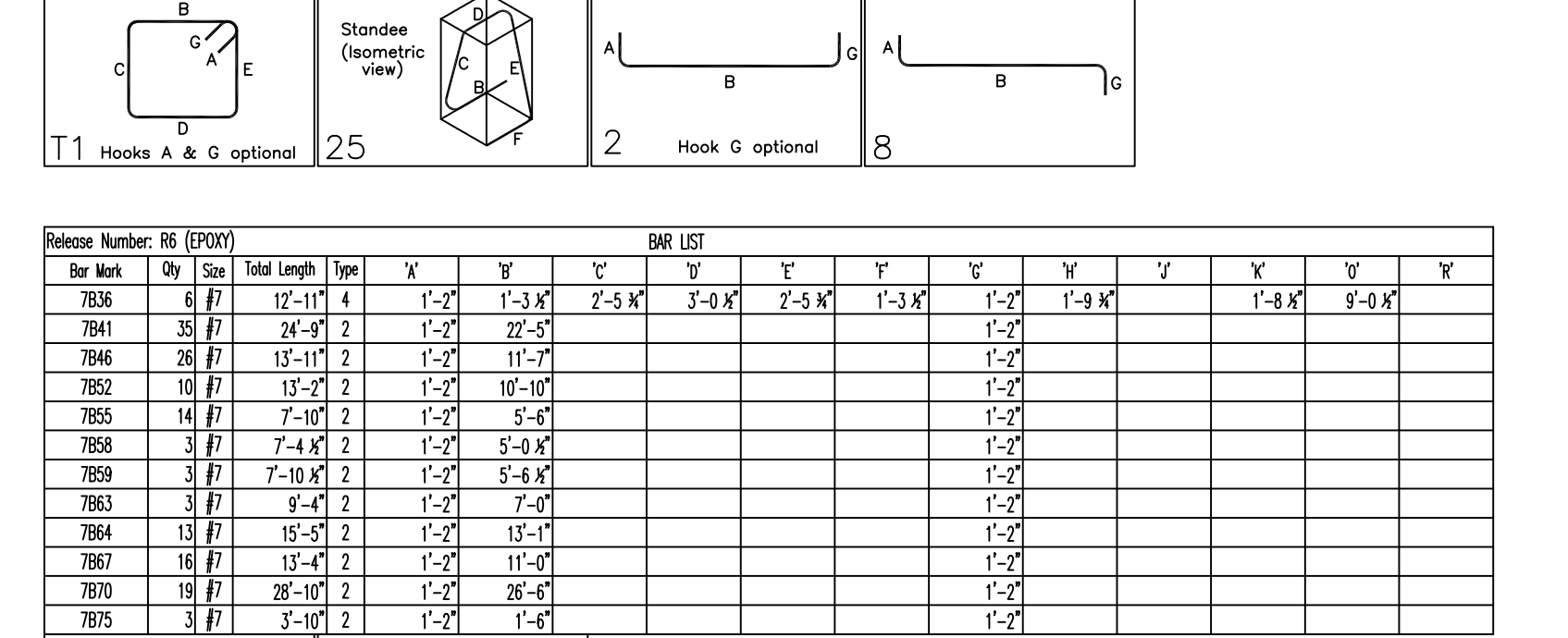
LD SCHEDULE

SIZE	5000 PSI	
	TOP	OTHERS
#3	1'-5"	1'-1"
#4	1'-11"	1'-5"
#5	2'-4"	1'-10"
#6	2'-10"	2'-2"
#7	4'-1"	3'-2"
#8	4'-8"	3'-6"
#9	5'-3"	4'-0"
#10	5'-11"	4'-6"

ALL BARS IN THIS DRAWING
ASTM A615 GRADE 60 BLACK UNCOATED
EXCEPT (E) MENTIONED ARE EPOXY COATED
ASTM A615 GRADE 60E

Release Number: RB

Bar Mark	Qty	Size	Total Length	Type	X'	Y'	Z'	W'	V'	U'	T'	S'	R'	Q'	P'	O'	N'	M'	L'	K'	J'	I'	H'	G'	F'	E'	D'	C'	B'	A'
3801	3	#3	7'-4 1/2"	T1	0'-4 1/2"	1'-8"	1'-8"	1'-8"	1'-8"	1'-8"	1'-8"	1'-8"	1'-8"	1'-8"	1'-8"	1'-8"	1'-8"	1'-8"	1'-8"	1'-8"	1'-8"	1'-8"	1'-8"	1'-8"	1'-8"	1'-8"	1'-8"	1'-8"	1'-8"	1'-8"
4804	30	#4	6'-3 1/2"	25	1'-6"	1'-3 1/2"	0'-8"	1'-3 1/2"	1'-6"	1'-3 1/2"	1'-3 1/2"	1'-3 1/2"	1'-3 1/2"	1'-3 1/2"	1'-3 1/2"	1'-3 1/2"	1'-3 1/2"	1'-3 1/2"	1'-3 1/2"	1'-3 1/2"	1'-3 1/2"	1'-3 1/2"	1'-3 1/2"	1'-3 1/2"	1'-3 1/2"	1'-3 1/2"	1'-3 1/2"	1'-3 1/2"	1'-3 1/2"	
4807	86	#4	6'-6"	2	0'-8"	5'-10"																								
4811	8	#4	4'-6"	2	0'-8"	3'-10"																								
4812	8	#4	5'-4"	2	0'-8"	4'-8"																								
4813	12	#4	8'-0 1/2"	25	1'-6"	2'-2 1/2"	0'-8"	2'-2 1/2"	1'-6"																					
5802	44	#5	5'-0"	2	0'-10"	4'-2"																								
5813	2	#5	5'-10"	2	0'-10"	4'-2"																								
6801	3	#6	5'-4"	2	1'-0"	4'-8"																								
6810	10	#6	7'-4"	2	1'-0"	6'-8"																								
6813	3	#6	6'-6"	2	1'-0"	5'-6"																								
7817	3	#7	7'-4 1/2"	2	1'-2"	5'-0 1/2"																								
7818	3	#7	7'-10 1/2"	2	1'-2"	5'-6 1/2"																								
7834	126	#7	7'-0"	2	1'-2"	5'-10"																								
7835	176	#7	5'-7"	8	1'-2"	3'-3"																								
7837	4	#7	5'-4"	2	1'-2"	3'-5"																								
7838	4	#7	5'-4"	2	1'-2"	3'-5"																								
7839	17	#7	24'-9"	2	1'-2"	22'-5"																								
7842	16	#7	9'-3"	2	1'-2"	6'-11"																								
7843	19	#7	15'-4"	2	1'-2"	11'-0"																								
7844	16	#7	15'-11"	2	1'-2"	11'-7"																								
7845	21	#7	28'-10"	2	1'-2"	26'-6"																								
7847	3	#7	12'-0"	2	1'-2"	10'-10"																								
7848	3	#7	15'-2"	2	1'-2"	13'-7"																								
7850	23	#7	14'-7"	2	1'-2"	13'-3"																								
7853	10	#7	15'-2"	2	1'-2"	10'-10"																								
7854	14	#7	7'-10"	2	1'-2"	5'-6"																								
7861	13	#7	9'-3"	2	1'-2"	6'-11"																								
7866	3	#7	3'-10"	2	1'-2"	1'-6"																								
7876	3	#7	9'-4"	2	1'-2"	7'-0"																								
8801	8	#8	7'-10"	2	1'-4"	6'-6"																								



Abbreviations:
I.F.=Inside Face
O.F.=Outside Face
E.F.=Each Face
V=Vertical
H=Horizontal
C.B.=Corner Bar
S.DWL=Slab Dowel
E.W.=Each Way
B/BOT=Bottom
T=Top
MDWL=Masonry Dowel
B.B.=Bond Beam
ALT.=Alternate
Approx.=Approximate

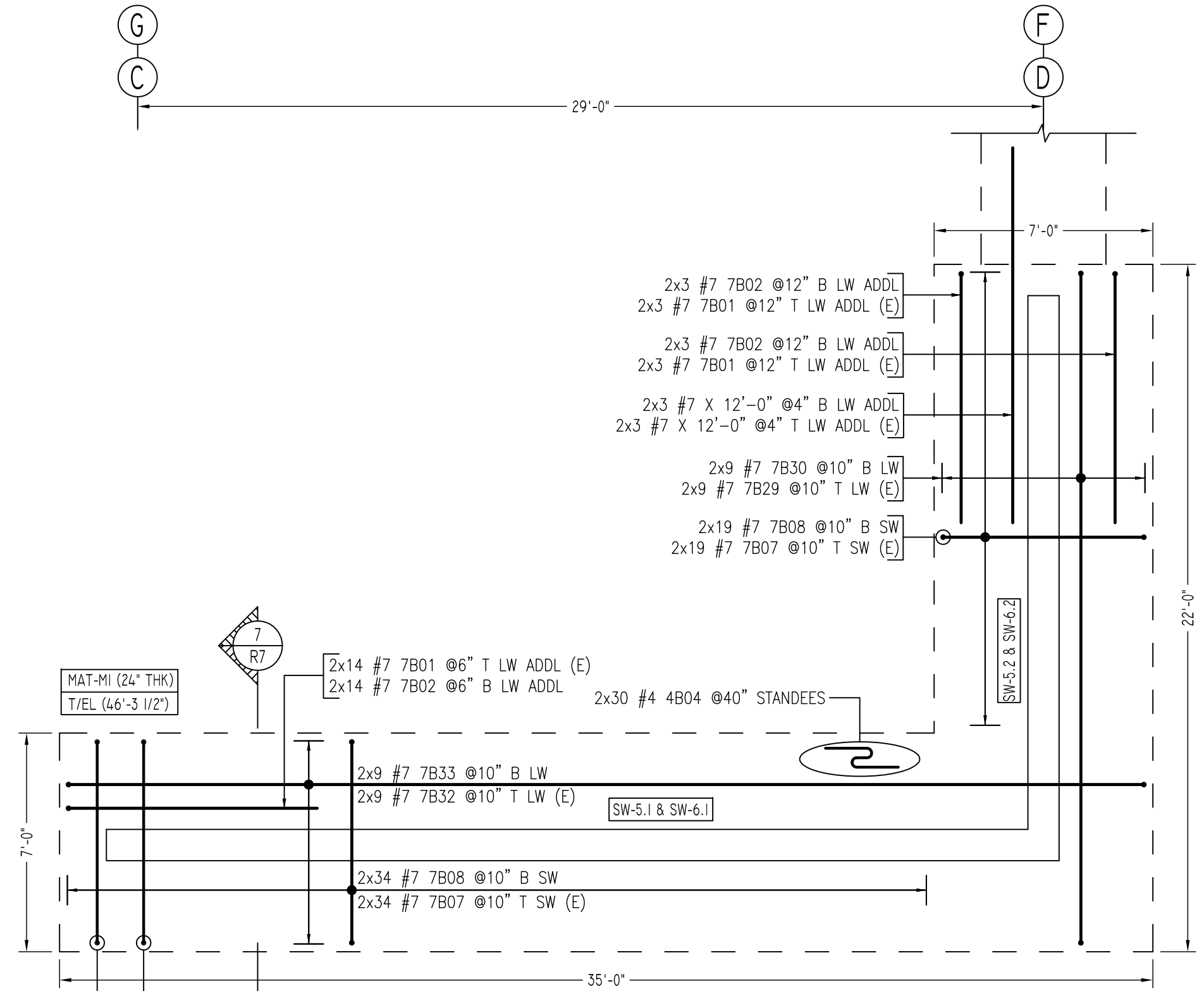
OPNG=Opening
BAL.=Balance
BTW.=Between
CJ=Construction Joint
CLR.=CLEARANCE
CMU=Concrete Masonry Unit
CONT.=Continuous
EA.=Each
Elev.=Elevation
EMB=Embedment
SW=Short Way
MDWL=Masonry Dowel
BL=Black Bar
EPP=Epoxy Bar
GA=Galvanized

NOTICE
Shortages, improper fabrication or claims for any other reason must be reported to this company within a period of 15 days of delivery. This company reserves the right to field inspect prior to replacement or reconditioning of nonconforming material, and will not honor charges for work done in the field without specific authorization from this company.

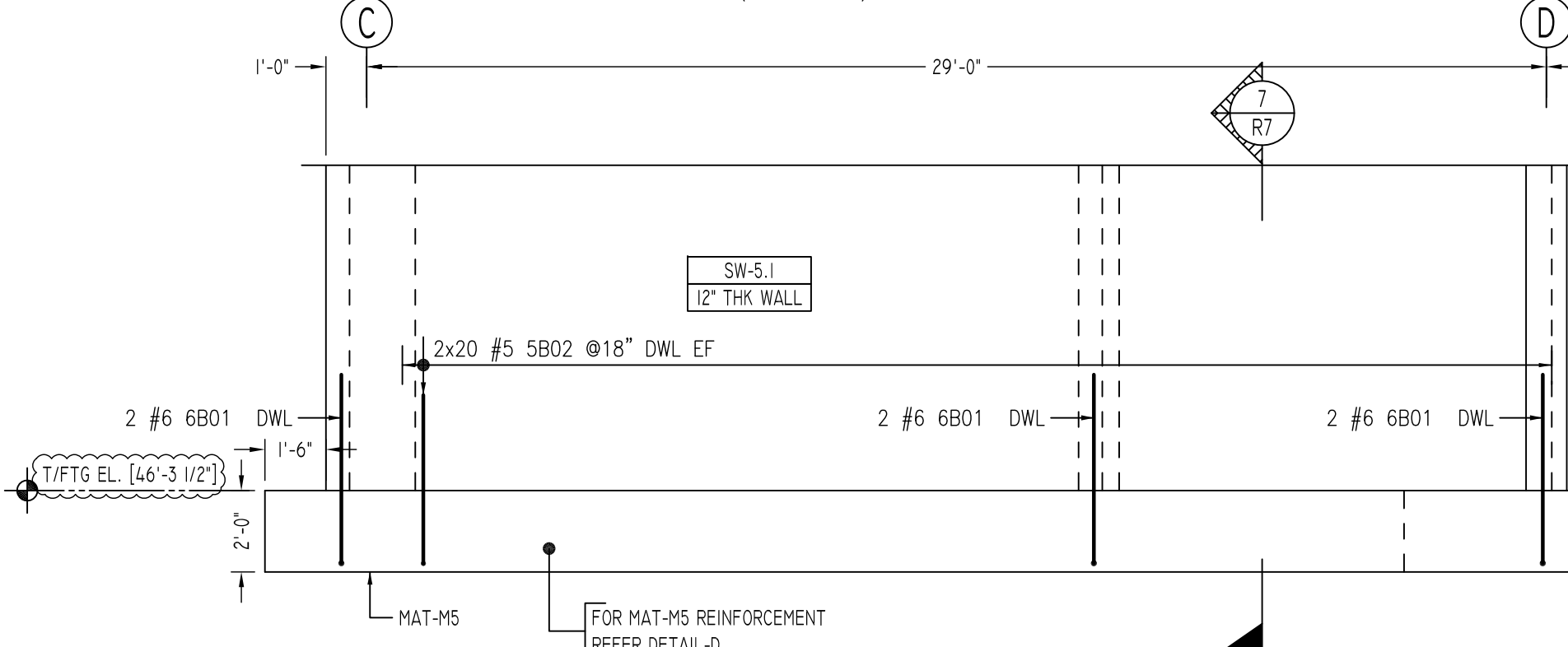
REINFORCING STEEL PLACING DRAWINGS ONLY USE IN CONJUNCTION WITH CONTRACT DRAWINGS & SPECIFICATIONS. ELEVATIONS & DIMENSIONS SHOWN ON THIS DRAWING ARE FOR DETAILING PURPOSES ONLY AND SHOULD NOT BE USED FOR CONSTRUCTION UNLESS VERIFIED BY ENGINEER OR CONTRACTOR.

REVISION MARK	REVISION DETAILS	DATE
0	FOR APPROVAL	01/05/2021

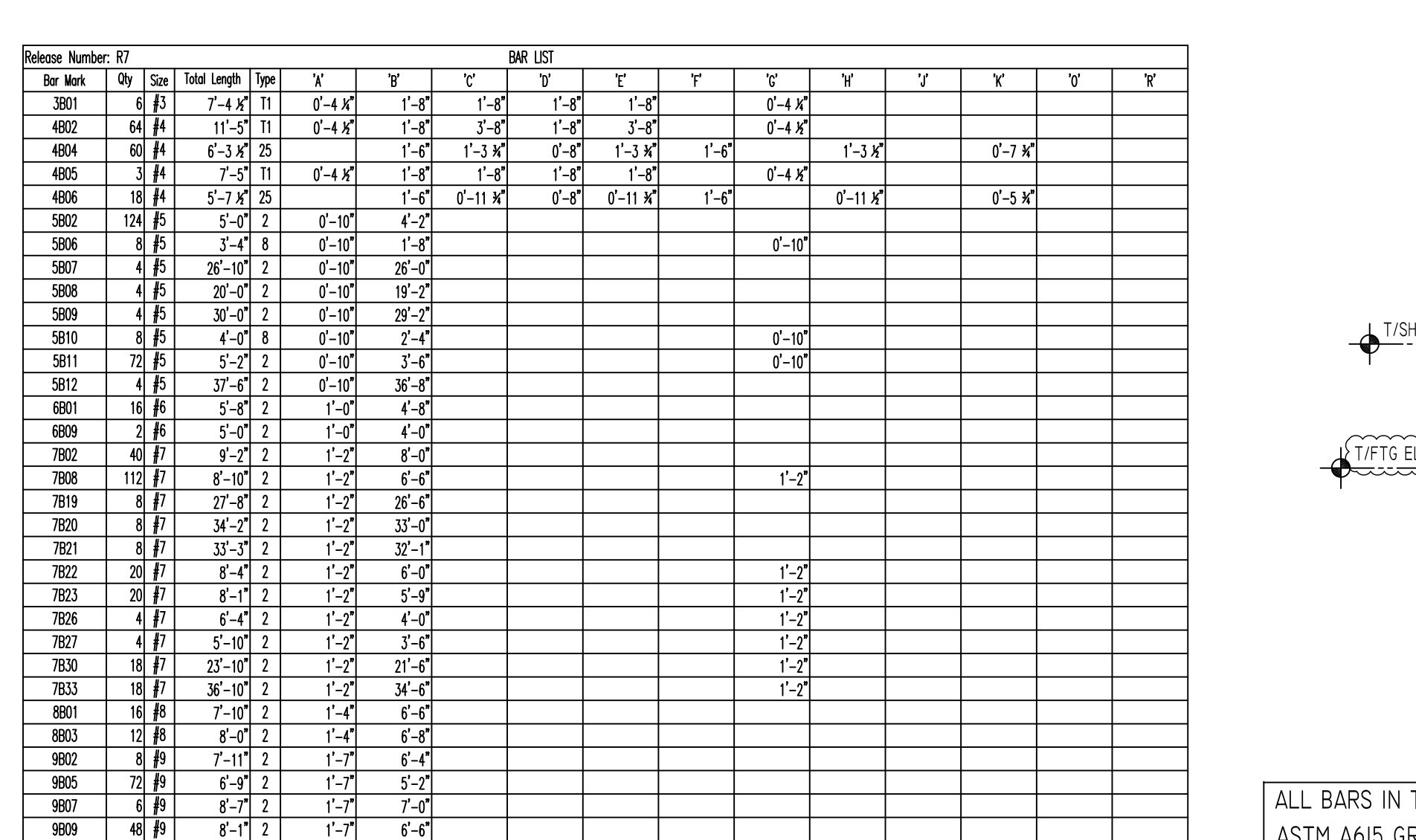
DRAWN BY:	DATE:	REVIEWED BY:	JOB NO.
NSS/MRS	01/05/21	T/L	21001
DRAWING TITLE:	FOUNDATION AND DOWL REINFORCEMENT DETAILS		DRAWING NO.:
			R6



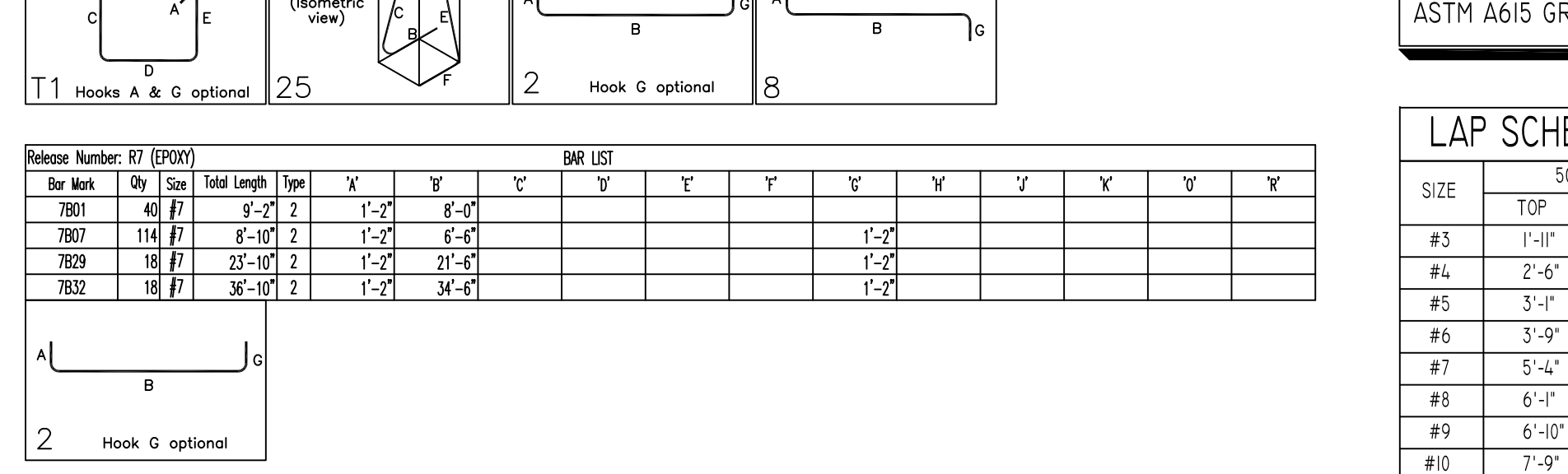
MAT-M5 REINFORCEMENT DETAILS DETAIL-D
SCALE - 1/8\"/>



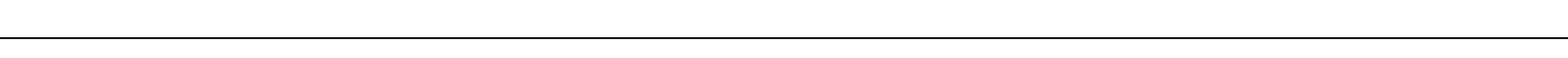
ELEVATION AD
SCALE - 1/4\"/>



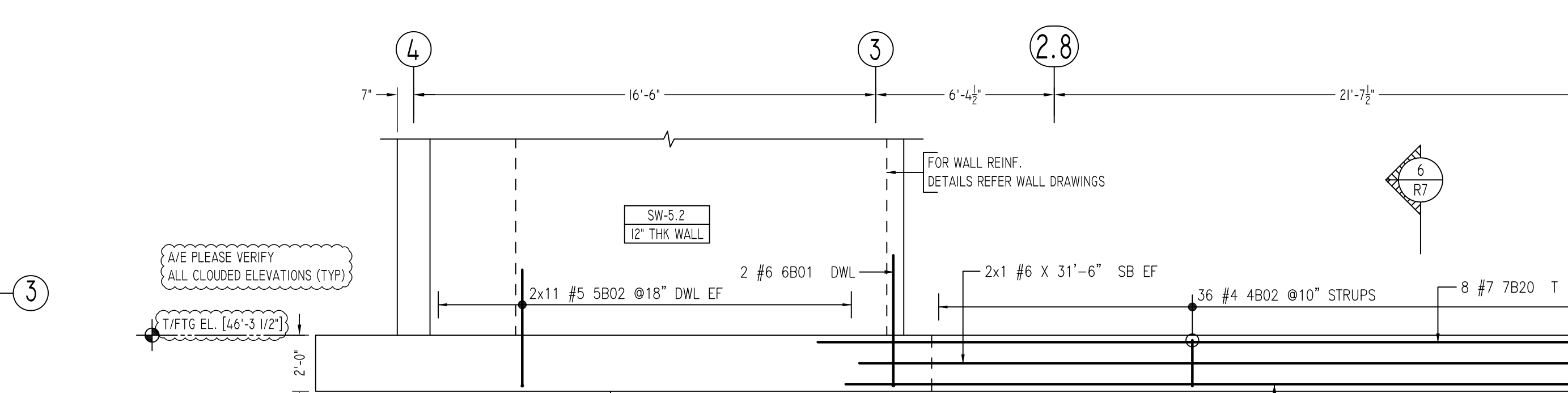
ELEVATION AE
SCALE - 1/4\"/>



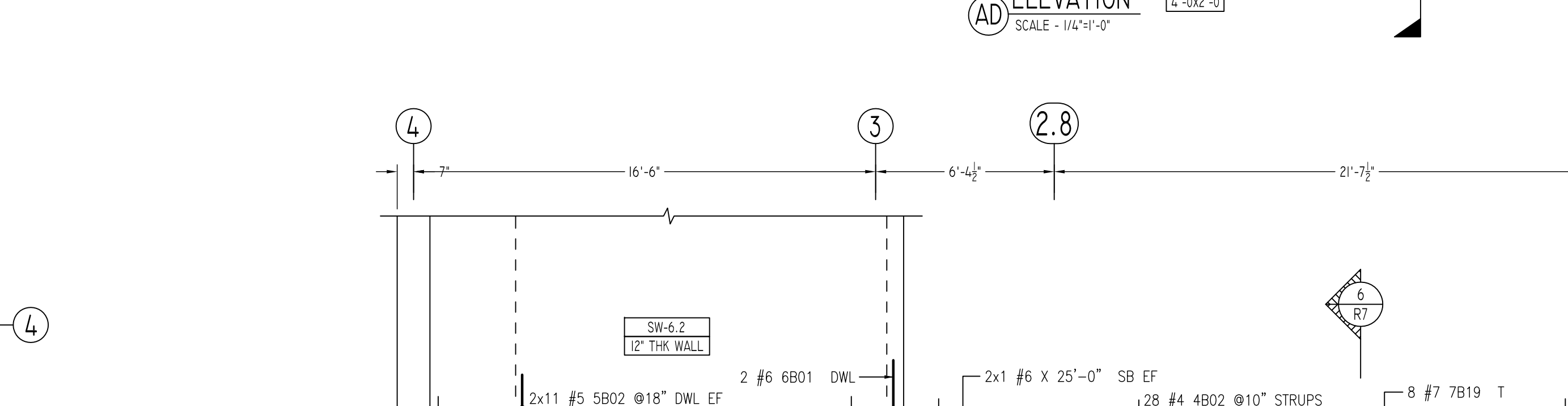
ELEVATION AF
SCALE - 1/4\"/>



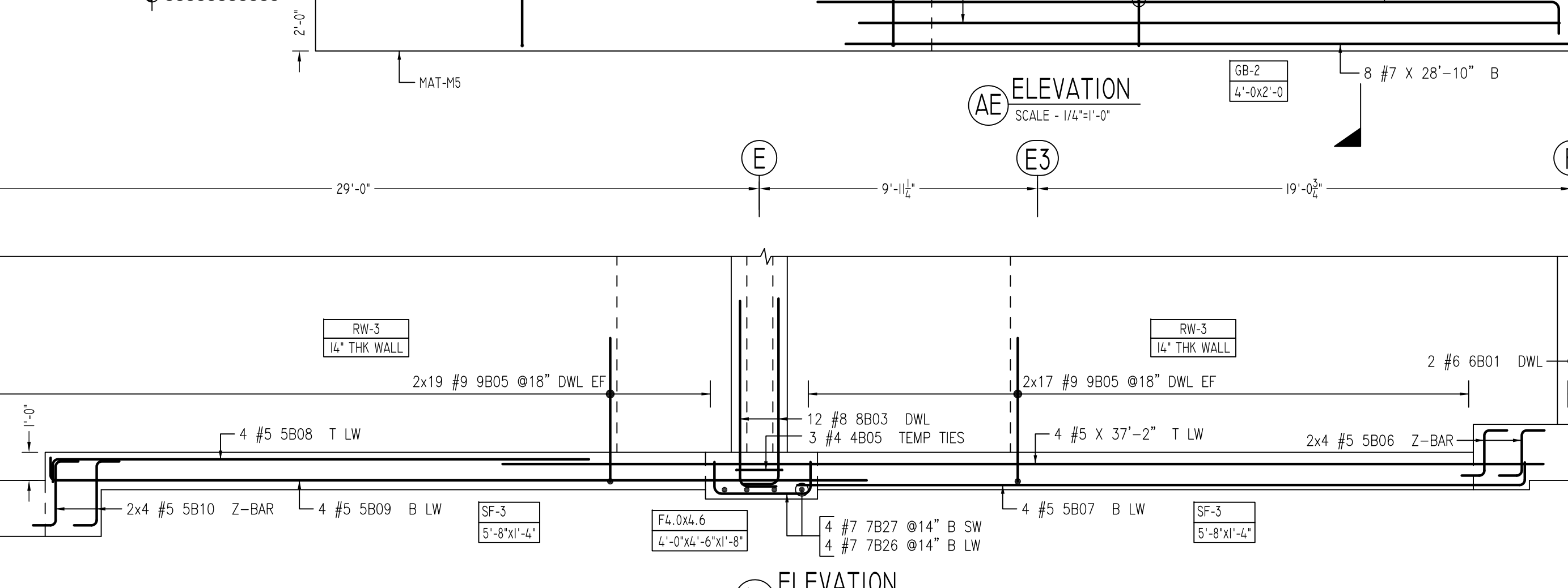
ELEVATION AG
SCALE - 1/4\"/>



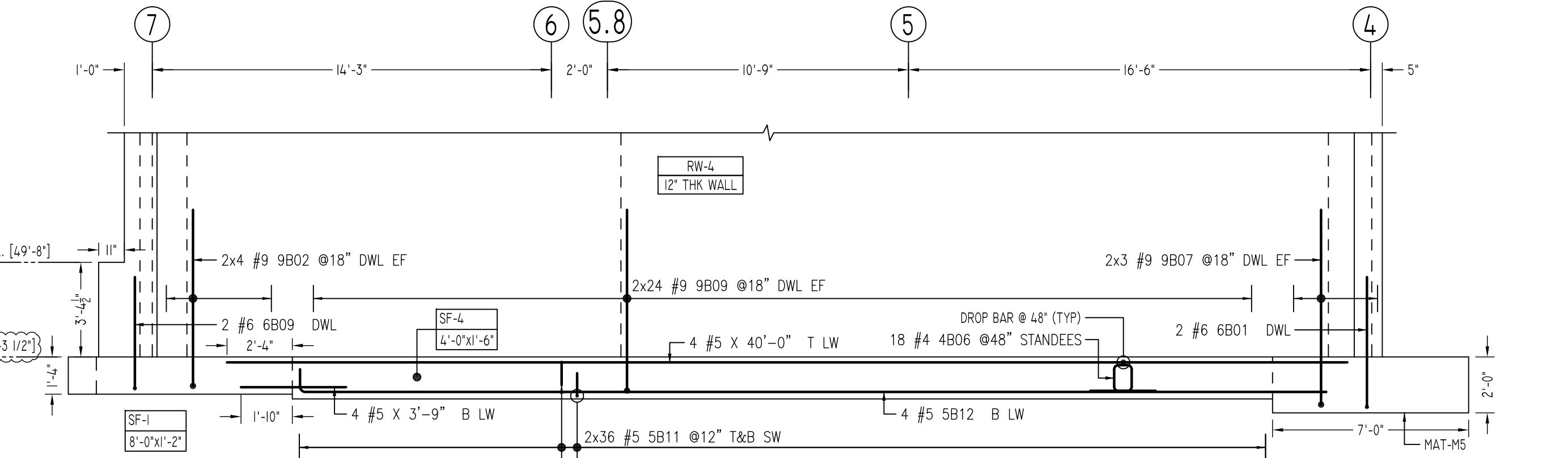
ELEVATION AD
SCALE - 1/4\"/>



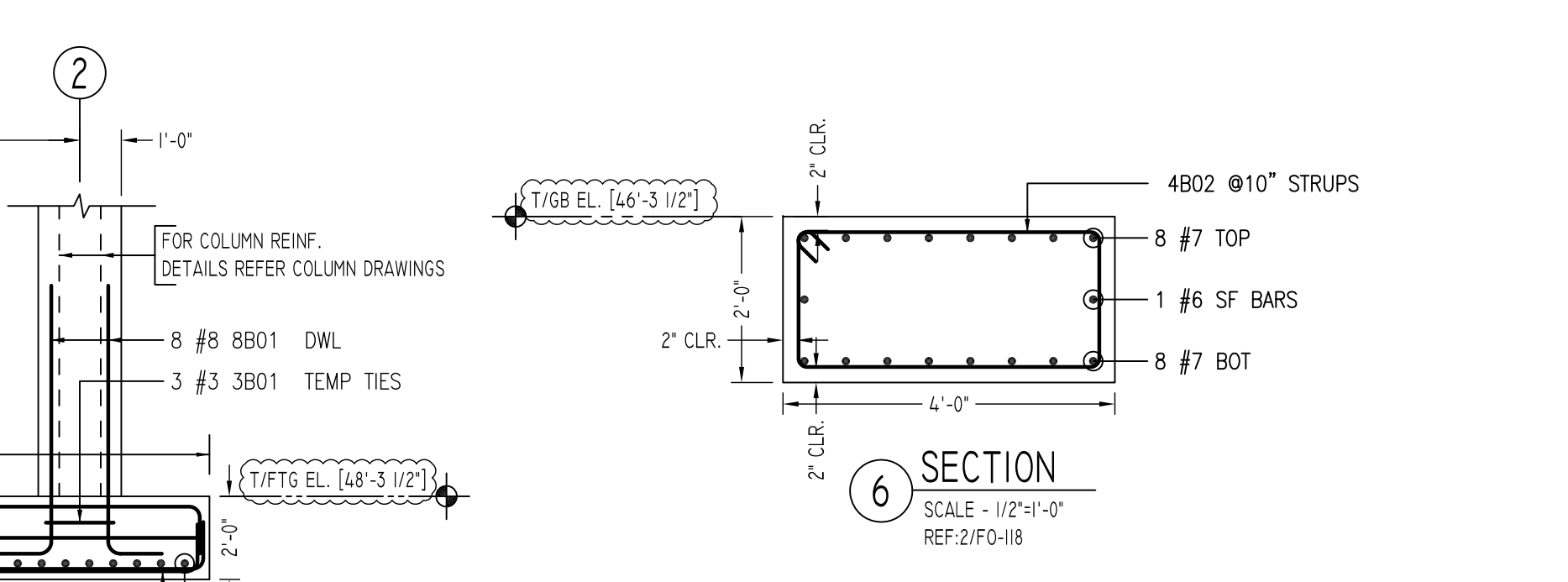
ELEVATION AE
SCALE - 1/4\"/>



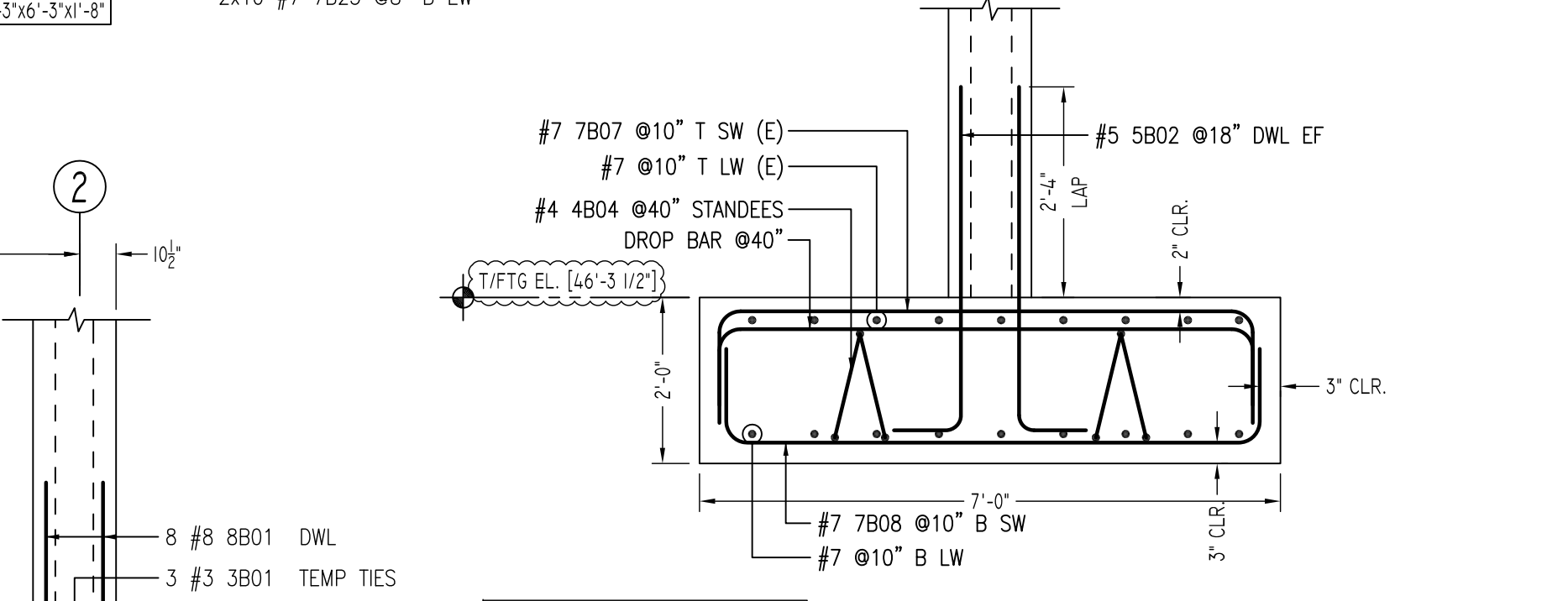
ELEVATION AF
SCALE - 1/4\"/>



ELEVATION AG
SCALE - 1/4\"/>



SECTION 6
SCALE - 1/2\"/>



SECTION 7
SCALE - 1/2\"/>

Release Number: R7

Bar Mark	Qty	Size	Total Length	Type	X'	Y'	Z'	X''	Y''	Z''	X'''	Y'''	Z'''
3B01	6	#3	7'-4 1/2"	T1	0'-4 1/2"	1'-8"	1'-8"	1'-8"	1'-8"	0'-4 1/2"			
4B02	64	#4	11'-5 1/2"	T1	0'-4 1/2"	1'-8"	3'-8"	1'-8"	3'-8"	0'-4 1/2"			
4B04	60	#4	6'-3 1/2"	25	1'-6"	1'-3 1/2"	0'-8"	1'-3 1/2"	1'-6"	1'-3 1/2"	0'-7 1/2"		
4B05	3	#4	7'-5 1/2"	T1	0'-4 1/2"	1'-8"	1'-8"	1'-8"	1'-8"	0'-4 1/2"			
4B06	18	#4	5'-7 1/2"	25	1'-6"	0'-11 1/2"	0'-8"	0'-11 1/2"	1'-6"	0'-11 1/2"	0'-5 1/2"		
5B02	124	#5	5'-0 1/2"	2	0'-10"	4'-2"				0'-10"			
5B06	8	#5	2'-4 1/2"	8	0'-10"	1'-8"				0'-10"			
5B07	4	#5	26'-10 1/2"	2	0'-10"	26'-0"				0'-10"			
5B08	4	#5	20'-0 1/2"	2	0'-10"	19'-2"				0'-10"			
5B09	4	#5	30'-0 1/2"	2	0'-10"	29'-2"				0'-10"			
5B10	8	#5	4'-0 1/2"	8	0'-10"	2'-4"				0'-10"			
5B11	72	#5	5'-2 1/2"	2	0'-10"	3'-6"				0'-10"			
5B12	4	#5	37'-6 1/2"	2	0'-10"	36'-8"				0'-10"			
6B01	16	#6	5'-8 1/2"	2	1'-0"	4'-8"				1'-0"			
6B09	2	#6	6'-0 1/2"	2	1'-0"	4'-0"				1'-0"			
7B02	40	#7	9'-2 1/2"	2	1'-2"	8'-0"				1'-2"			
7B08	112	#7	8'-10 1/2"	2	1'-2"	6'-6"				1'-2"			
7B19	8	#7	27'-8 1/2"	2	1'-2"	26'-6"				1'-2"			
7B20	8	#7	34'-2 1/2"	2	1'-2"	33'-0"				1'-2"			
7B21	8	#7	33'-3 1/2"	2	1'-2"	32'-1"				1'-2"			
7B22	20	#7	8'-4 1/2"	2	1'-2"	6'-0"				1'-2"			
7B23	20	#7	8'-1 1/2"	2	1'-2"	5'-9"				1'-2"			
7B28	4	#7	6'-4 1/2"	2	1'-2"	4'-2"				1'-2"			
7B27	4	#7	5'-10 1/2"	2	1'-2"	3'-4"				1'-2"			
7B30	18	#7	23'-10 1/2"	2	1'-2"	21'-6"				1'-2"			
7B33	18	#7	36'-10 1/2"	2	1'-2"	34'-6"				1'-2"			
8B01	16	#8	7'-10 1/2"	2	1'-4"	6'-6"				1'-4"			
8B03	12	#8	8'-0 1/2"	2	1'-4"	6'-8"				1'-4"			
9B02	8	#9	7'-11 1/2"	2	1'-7"	6'-4"				1'-7"			
9B05	72	#9	6'-9 1/2"	2	1'-7"	5'-2"				1'-7"			
9B07	6	#9	6'-7 1/2"	2	1'-7"	7'-0"				1'-7"			
9B09	48	#9	6'-1 1/2"	2	1'-7"	6'-4"				1'-7"			

Release Number: R7 (EPOXY)

Bar Mark	Qty	Size	Total Length	Type	X'	Y'	Z'	X''	Y''	Z''	X'''	Y'''	Z'''
7B01	40	#7	9'-2 1/2"	2	1'-2"	8'-0"				1'-2"			
7B07	114	#7	8'-10 1/2"	2	1'-2"	6'-6"				1'-2"			
7B09	18	#7	23'-10 1/2"	2	1'-2"	21'-6"				1'-2"			
7B12	18	#7	36'-10 1/2"	2	1'-2"	34'-6"				1'-2"			



ALL BARS IN THIS DRAWING
ASTM A615 GRADE 60 BLACK UNCOATED
EXCEPT (E) MENTIONED ARE EPOXY COATED
ASTM A615 GRADE 60E

LAP SCHEDULE

SIZE	5000 PSI		OTHERS
	TOP	OTHERS	
#3	1'-11"	1'-5"	
#4	2'-6"	1'-11"	1'-5"
#5	3'-1"	2'-4"	1'-10"
#6	3'-9"	2'-10"	2'-2"
#7	5'-4"	4'-1"	3'-2"
#8	6'-1"	4'-8"	3'-0"
#9	6'-10"	5'-3"	4'-0"
#10	7'-9"	5'-11"	4'-6"

LD SCHEDULE

SIZE	5000 PSI		OTHERS
	TOP	OTHERS	
#3	1'-5"	1'-1"	
#4	1'-11"	1'-5"	
#5	2'-4"	1'-10"	
#6	2'-10"	2'-2"	
#7	4'-1"	3'-2"	
#8	4'-8"	3'-0"	
#9	5'-3"	4'-0"	
#10	5'-11"	4'-6"	

TYPICAL REINFORCING BAR CLEARANCE TABLE

LOCATION	MIN. COVER
CONCRETE PLACED AGAINST EARTH	3" CLR
FORMED CONCRETE EXPOSED TO EARTH	2" CLR
SLAB ON GRADE TOP & BOTTOM	2" CLR
SLAB TOP & BOTTOM	2" CLR
BEAM ALL SIDES	2" CLR
INTERIOR FACES OF WALL	2" CLR
COLUMNS OR PIERS (MAIN REINFORCEMENT)	2" CLR

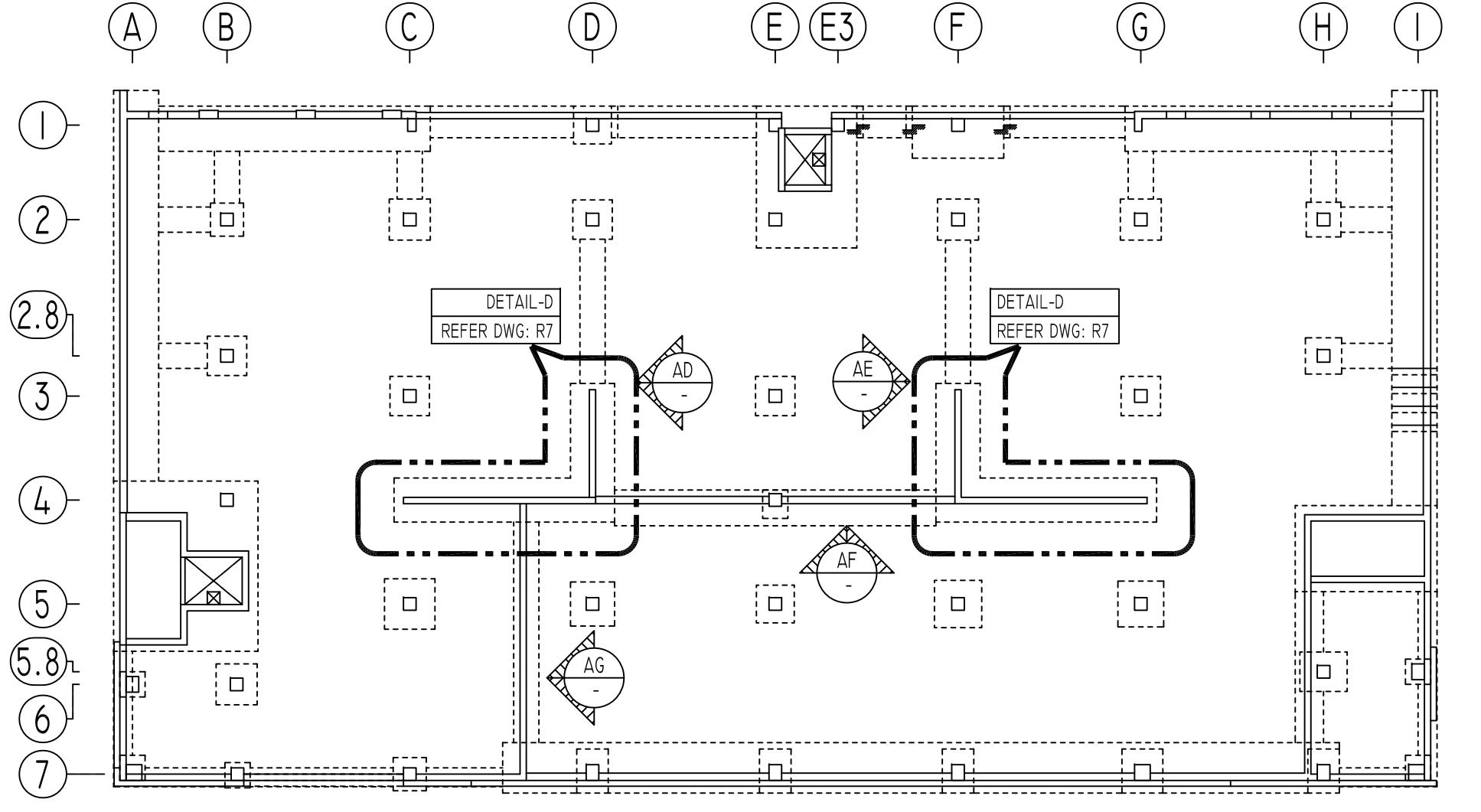
Abbreviations:
I.F.=Inside Face
O.F.=Outside Face
E.F.=Each Face
C.J.=Construction Joint
CLR.=CLEARANCE
V=Vertical
H=Horizontal
C.B.=Corner Bar
S.DWL.=Slab Dowel
E.W.=Each Way
B/BOT.=Bottom
T=Top
MDWL.=Masonry Dowel
B.B.=Bond Beam
ALT.=Alternate
Approx.=Approximate

OPNG=Opening
BAL.=Balance
BTW.=Between
CJ.=Construction Joint
CLR.=CLEARANCE
CMU.=Concrete Masonry Unit
CONT.=Continuous
EA.=Each
Elev.=Elevation
EMB.=Embedment
SW.=Short Way
LW.=Long Way
(BL)=Black Bar
(EP)=Epoxy Bar
(GA)=Galvanized

NOTICE

Shortages, improper fabrication or claims for any other reason must be reported to this company within a period of 15 days of delivery. This company reserves the right to field inspect prior to replacement or reconditioning of nonconforming material, and will not honor charges for work done in the field without specific authorization from this company.

REINFORCING STEEL PLACING DRAWINGS ONLY USE IN CONJUNCTION WITH CONTRACT DRAWINGS & SPECIFICATIONS. ELEVATIONS & DIMENSIONS SHOWN ON THIS DRAWING ARE FOR DETAILING PURPOSES ONLY AND SHOULD NOT BE USED FOR CONSTRUCTION UNLESS VERIFIED BY ENGINEER OR CONTRACTOR.



KEY PLAN
SCALE - N.T.S.
REF: FO-101

REVISION MARK	REVISION DETAILS	DATE
0	FOR APPROVAL	01/05/2021

PROJECT	PEEKSKILL PARKING BUILDING		
LOCATION	645 MAIN STREET, PEEKSKILL NY 10556		
ARCHITECT	L&M DESIGN LLC		
ENGINEER	BUROEHRING		
CUSTOMER	JODI/SISCA		
DRAWN BY:	NSS/MRS	DATE:	01/05/21
REVIEWED BY:	T/L	JOB NO.:	21001
DRAWING TITLE:	FOUNDATION AND DOWEL REINFORCEMENT DETAILS		DRAWING NO.:
			R7