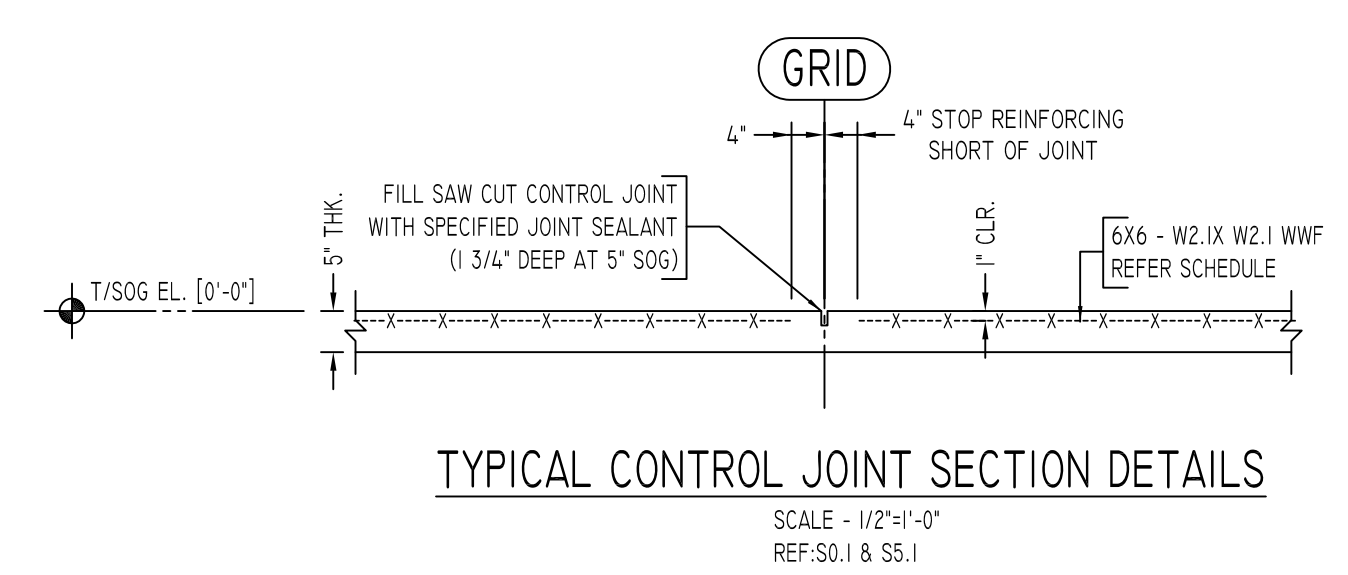


**SLAB ON GRADE REINFORCEMENT DETAILS**  
 SCALE - 1/6"=1'-0"  
 REF.S101



MESH DETAILS				
ELEMENT	MESH SIZE	SHEETS	AREA	REMARK
5' THK SLAB ON GRADE	6x6 - W2.IX W2.I WWF	300	10998 SQ.FT	5'-0" X 10'-0" SHEET SIZE (35% LAP ADDED)

ACCESSORIES DETAILS				
S. NO	DESCRIPTION	PCS	LFT	REMARK
1	4" HT SB @4'-0" C/C 5' THK SLAB ON GRADE	-	2902	FOR MESH SUPPORT

SIZE	4000 PSI	
	TOP	OTHERS
#3	24"	19"
#4	32"	25"
#5	40"	31"
#6	48"	37"
#7	70"	54"
#8	80"	62"
#9	91"	70"
#10	102"	79"
#11	113"	87"

FOR FOUNDATION & WALL REINFORCEMENT DETAILS  
 REF. DWG R01,R1 TO R2  
 FOR SLAB ON GRADE REINFORCEMENT DETAILS  
 REF. DWG R3

**ALL BARS IN THIS DRAWING  
 ASTM A615 GRADE 60  
 BLACK UNCOATED**

**Abbreviations:**  
 I.F.=Inside Face  
 O.F.=Outside Face  
 E.F.=Each Face  
 DWL=Dowel  
 V=Vertical  
 H=Horizontal  
 C.B.=Corner Bar  
 S.DWL=Slab Dowel  
 E.W.=Each Way  
 B/BOT=Bottom  
 T=Top  
 MDWL= Masonry Dowel  
 B.B.=Bond Beam  
 ALT.=Alternate  
 Approx.=Approximate

**OPNG=Opening**  
**BAL.=Balance**  
**BTW.=Between**  
**CJ.=Construction Joint**  
**CLR.=CLEARANCE**  
**CMU.=Concrete Masonry Unit**  
**CONT.=Continuous**  
**EA.=Each**  
**Elev.=Elevation**  
**EMB.=Embedment**  
**SW.=Short Way**  
**LW.=Long Way**  
**(BL)=Black Bar**  
**(EP)=Epoxy Bar**  
**(GA)=Galvanized**

**NOTICE**

Shortages, improper fabrication or claims for any other reason must be reported to this company within a period of 15 days of delivery. This company reserves the right to field inspect prior to replacement or reconditioning of nonconforming material, and will not honor charges for work done in the field without specific authorization from this company.

REINFORCING STEEL PLACING DRAWINGS ONLY USE IN CONJUNCTION WITH CONTRACT DRAWINGS & SPECIFICATIONS. ELEVATIONS & DIMENSIONS SHOWN ON THIS DRAWING ARE FOR DETAILING PURPOSES ONLY AND SHOULD NOT BE USED FOR CONSTRUCTION UNLESS VERIFIED BY ENGINEER OR CONTRACTOR.

REVISION MARK	REVISION DETAILS	DATE
0	FOR APPROVAL	01/14/2021

PROJECT	200 DANBURY ROAD LLC		
LOCATION	DANBURY ROAD WILTON, CONNECTICUT		
ARCHITECT	BSA INC. ARCHITECT AND PLANNERS		
ENGINEER	RICHARDSON STRUCTURAL ENGINEERS		
CUSTOMER	200 DANBURY ROAD LLC		
DRAWN BY:	DATE:	REVIEWED BY:	JOB NO.
KKV/MRS	01/12/21	T/L	21005
DRAWING TITLE:			DRAWING NO.:
SLAB ON GRADE REINFORCEMENT DETAILS			R3