

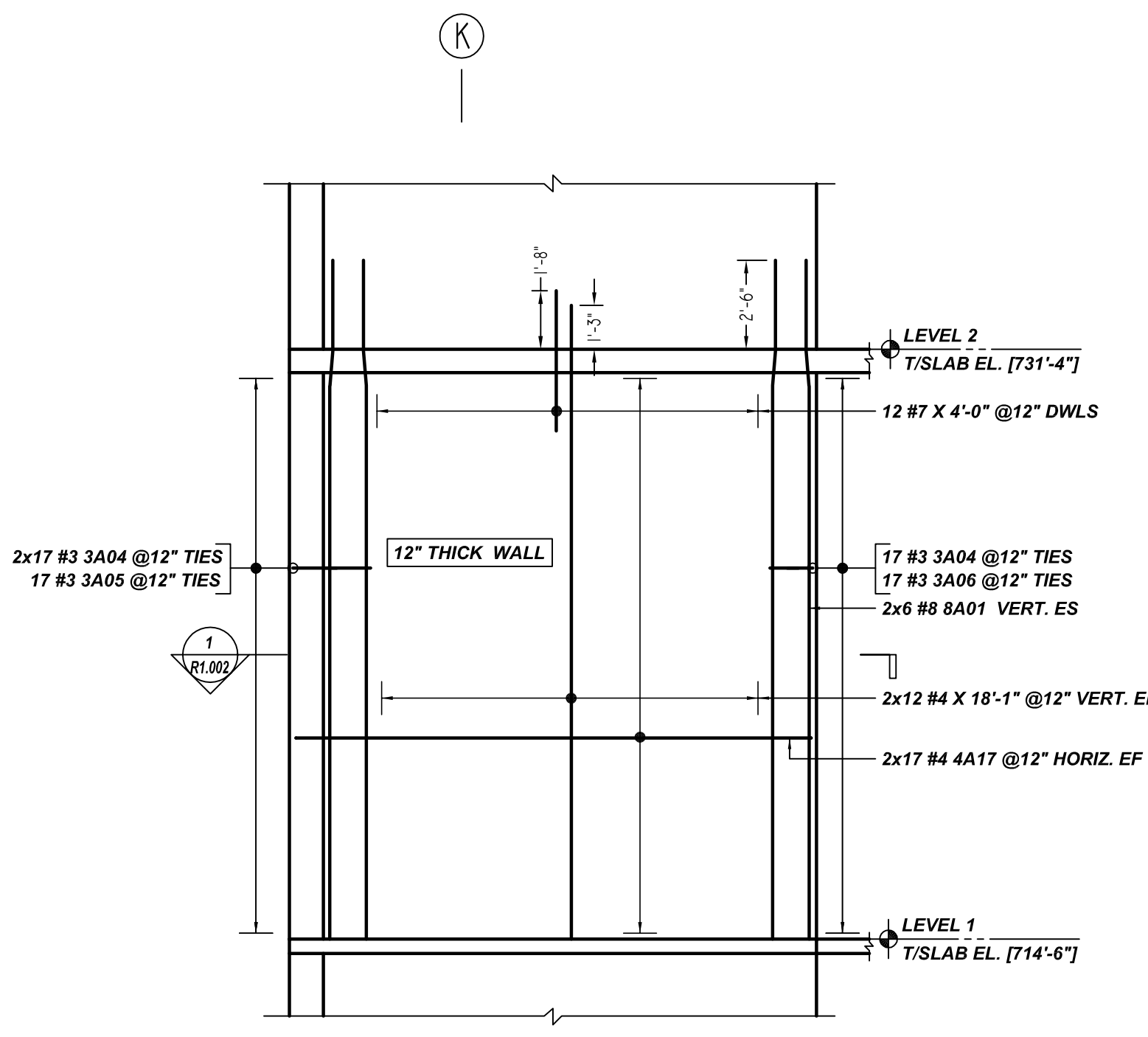
**SHEAR WALL KEY PLAN**  
SCALE - NTS

TYPICAL REINFORCING BAR CLEARANCE TABLE	
LOCATION	MIN. COVER
WALL	1 1/2" CLR

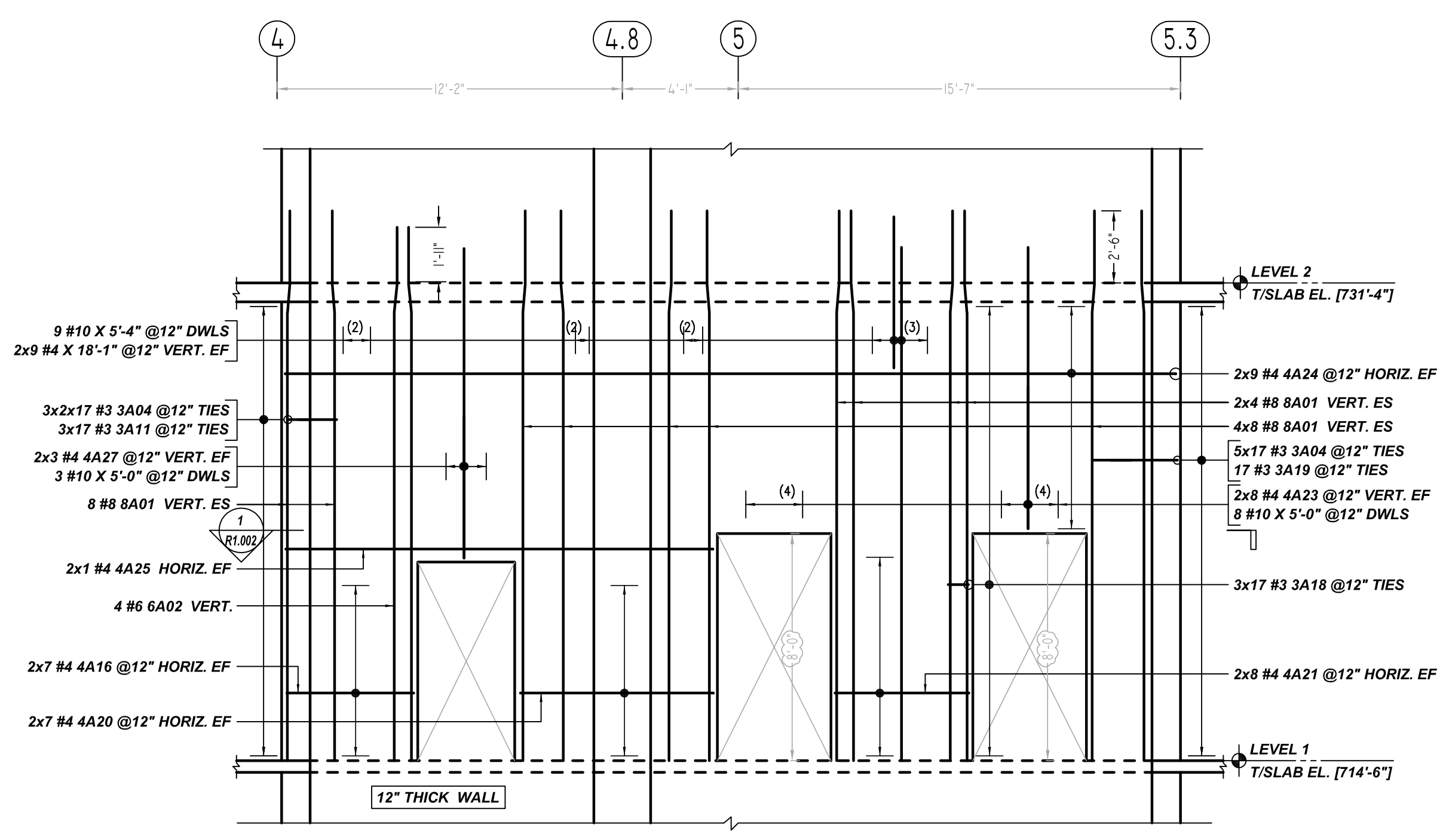
**ALL BARS IN THIS DRAWING  
ASTM A615 GRADE 60  
BLACK UNCOATED**

THE PLACING DRAWING IS D'AMBRA'S INTERPRETATION OF THE CONTRACT DRAWINGS. IT IS NOT INTENDED AS A STANDALONE DOCUMENT AND MUST ALWAYS BE USED IN CONJUNCTION WITH THE CONTRACT DRAWINGS.

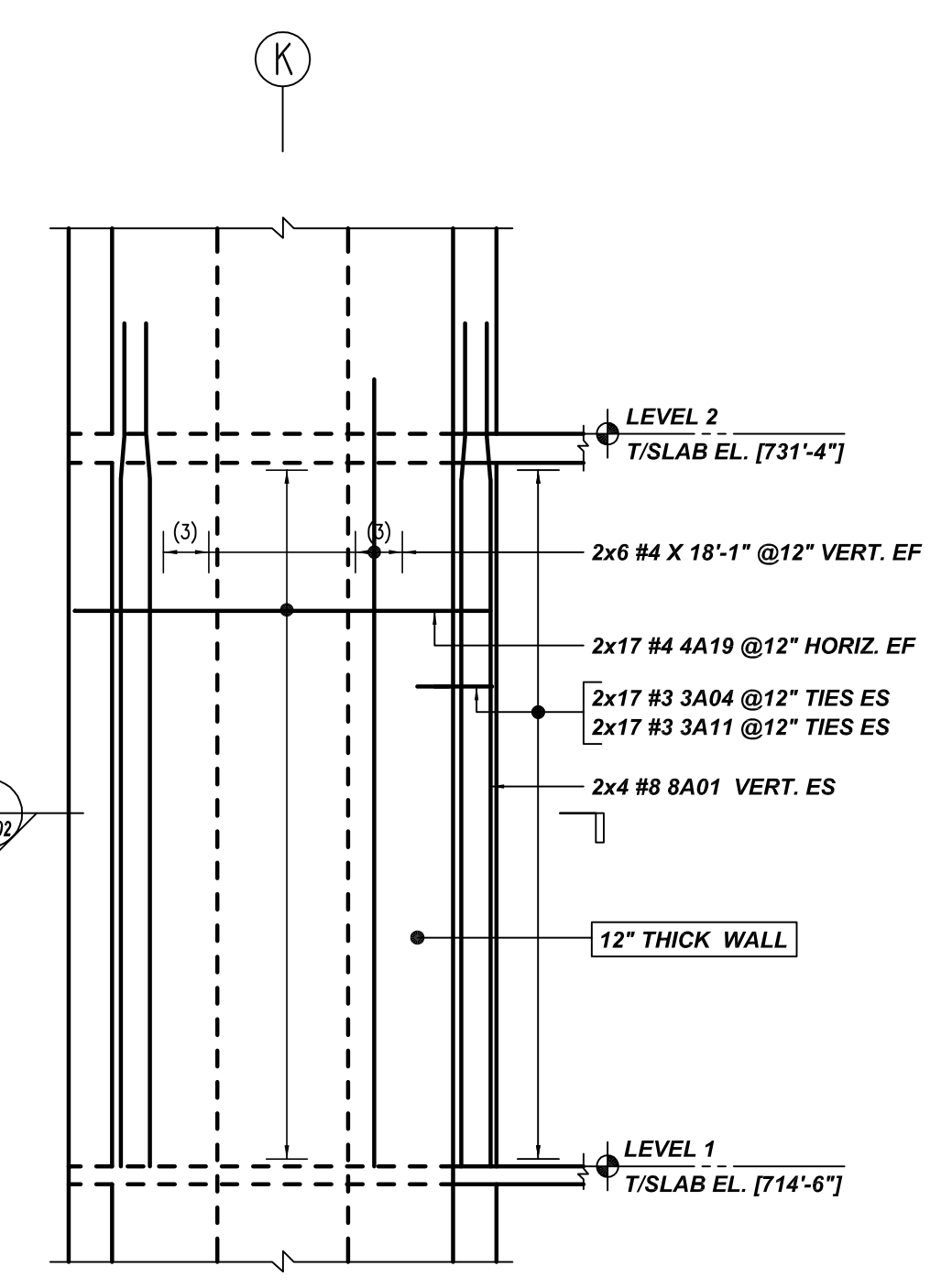
				SHEET TITLE: <b>SHEAR WALL (L1-L2)</b>		
				PROJECT: HALL PARK		
				LOCATION: FRISCO, TX		
				CUSTOMER: D'AMBRA		
ISS. BY. DATE DESCRIPTION				ENGINEER: -		
0	BCS	09/17/21	FOR APPROVAL	DETAILER: BCS		
				JOB # 21007	SHEET # <b>R1.001</b>	



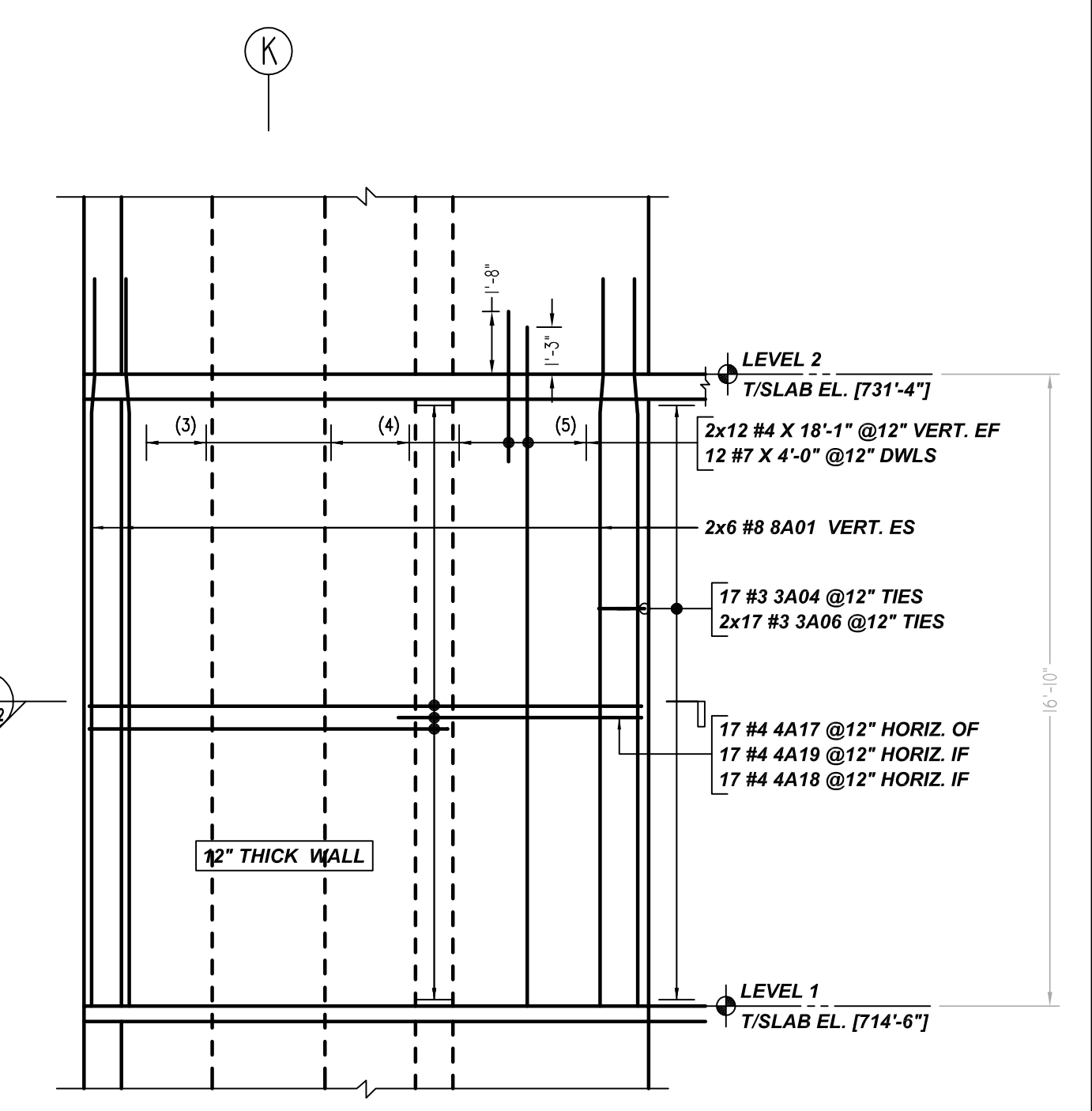
**A ELEVATION**  
SCALE - 1/4"=1'-0"  
REF:S3.12



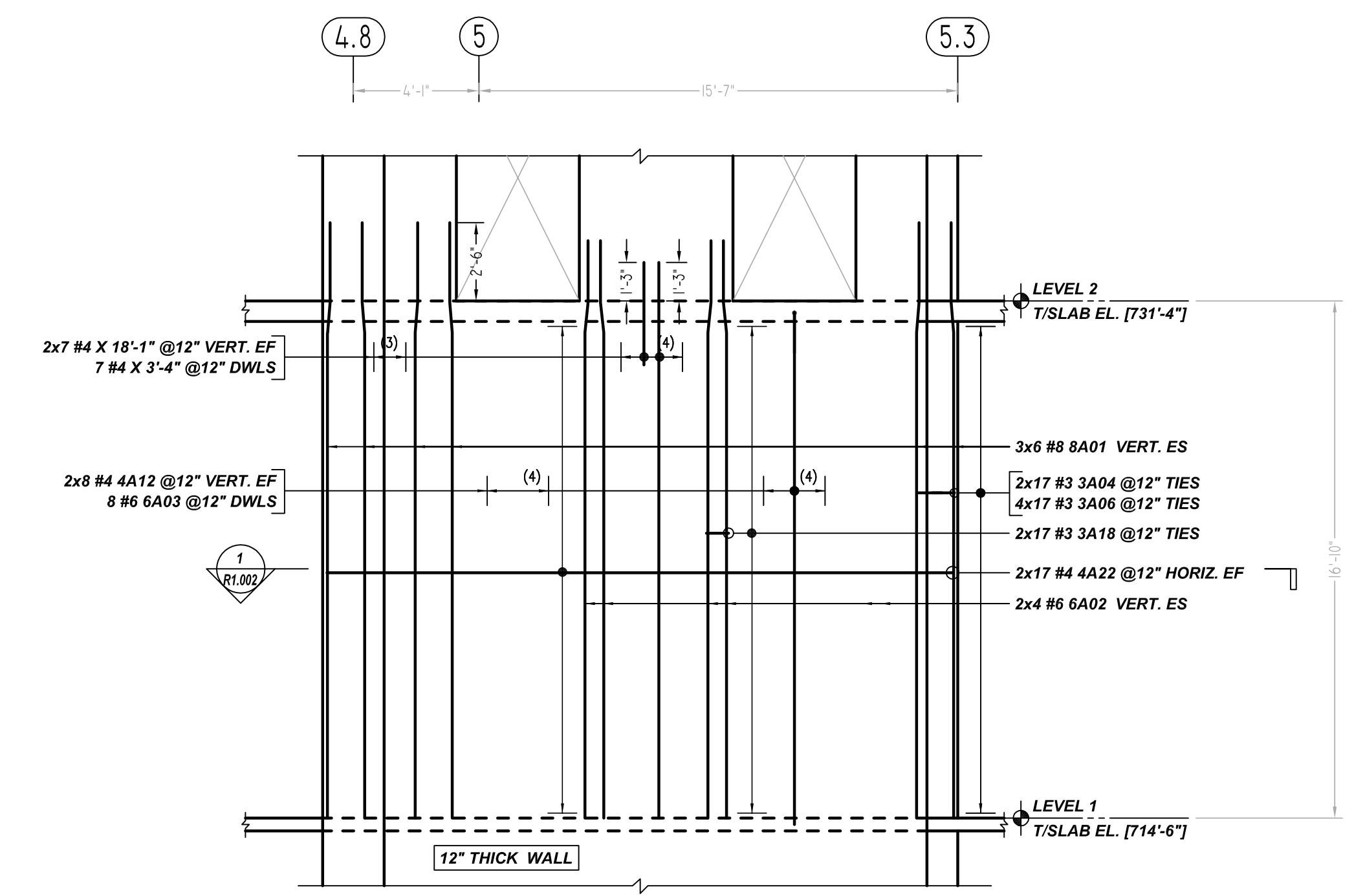
**B ELEVATION**  
SCALE - 1/4"=1'-0"  
REF:S3.12



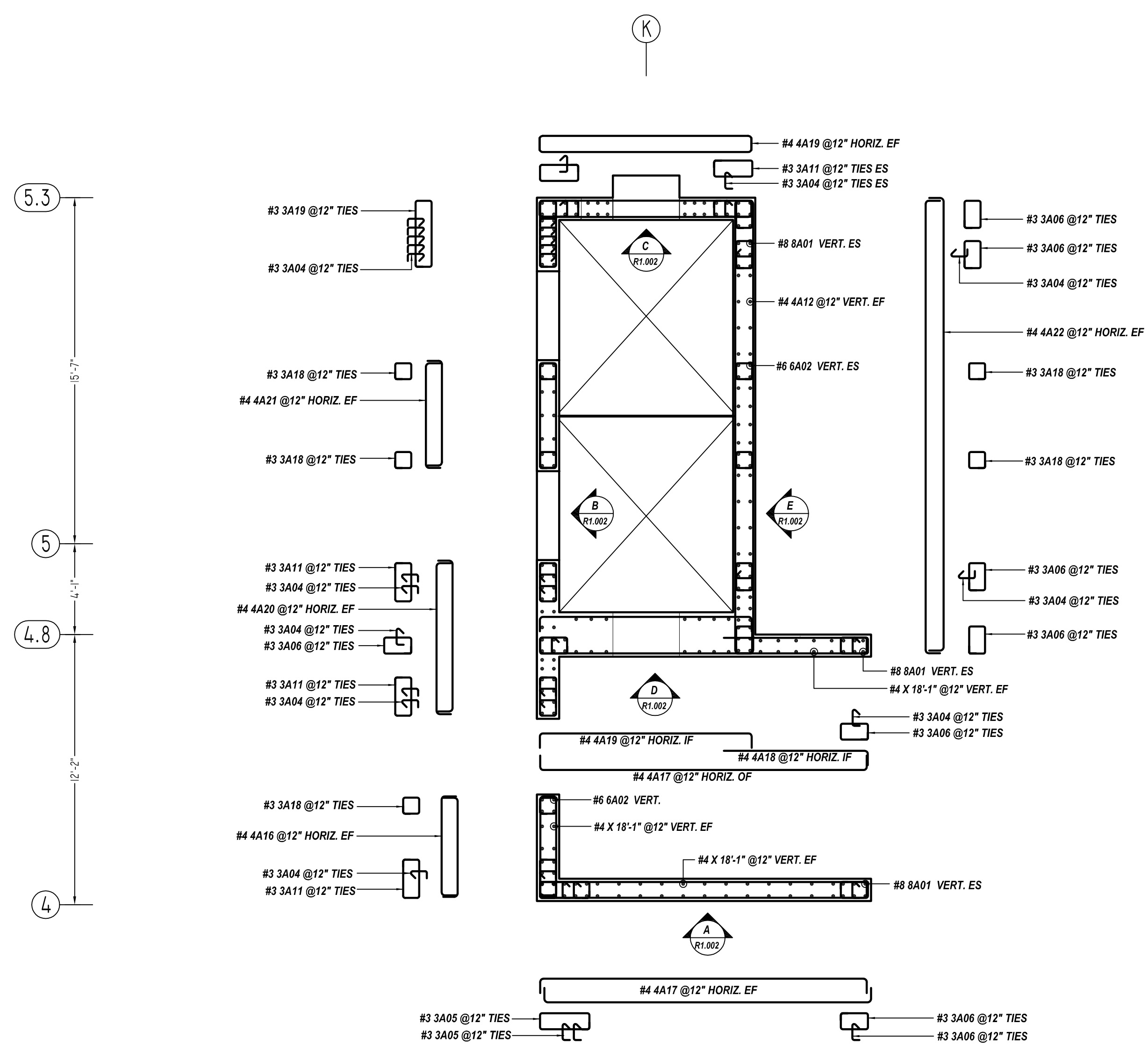
**C ELEVATION**  
SCALE - 1/4"=1'-0"  
REF:S3.12



**D ELEVATION**  
SCALE - 1/4"=1'-0"  
REF:S3.12

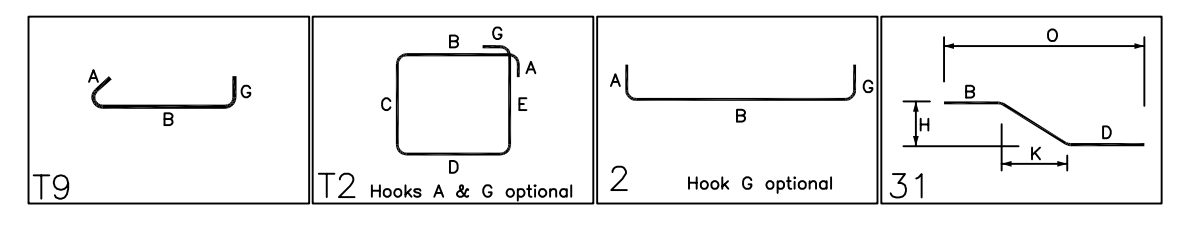


**E ELEVATION**  
SCALE - 1/4"=1'-0"  
REF:S3.12



**1 ELEVATION**  
SCALE - 1/4"=1'-0"  
REF:S3.12

Bar Mark	Qty	Size	Total Length	Type	X	Y	Z	U	V	W	X	Y	Z	U	V	W	X	Y	Z	
3A4	333	#3	1'-5.81	T9	0'-4.87	0'-9"														
3A5	17	#3	6'-8"	T2	0'-4"	0'-9"	2'-3"	0'-9"	2'-3"											
3A6	119	#3	4'-8"	T2	0'-4"	0'-9"	1'-3"	0'-9"	1'-3"											
3A11	85	#3	5'-8"	T2	0'-4"	0'-9"	1'-9"	0'-9"	1'-9"											
3A18	85	#3	5'-8"	T2	0'-4"	0'-9"	0'-9"	0'-9"	0'-9"											
3A19	17	#3	8'-2"	T2	0'-4"	0'-9"	3'-0"	0'-9"	3'-0"											
4A2	16	#4	17'-4"	2	0'-8"	16'-8"														
4A16	14	#4	5'-10"	2	0'-8"	4'-4"														
4A17	5	#4	16'-11"	2	0'-8"	14'-9"														
4A18	17	#4	7'-2"	2	0'-8"	6'-8"														
4A19	5	#4	10'-11"	2	0'-8"	9'-7"														
4A20	14	#4	8'-2"	2	0'-8"	6'-10"														
4A21	16	#4	6'-11"	2	0'-8"	4'-9"														
4A22	3	#4	21'-8"	2	0'-8"	20'-8"														
4A23	16	#4	10'-7"	2	0'-8"	9'-11"														
4A24	18	#4	3'-2"	2	0'-8"	3'-5"														
4A25	2	#4	16'-5"	2	0'-8"	15'-11"														
4A27	6	#4	11'-7"	2	0'-8"	10'-11"														
6A2	12	#6	18'-9.81	31	2'-0"	1'-0"	15'-9.81"				0'-2"			1'-0"	18'-9.81"					
6A3	8	#6	2'-4"	2	1'-0"	1'-4"														
8A1	98	#8	19'-4.81	31	2'-7"	1'-0"	15'-9.81"				0'-2"			1'-0"	19'-4.81"					



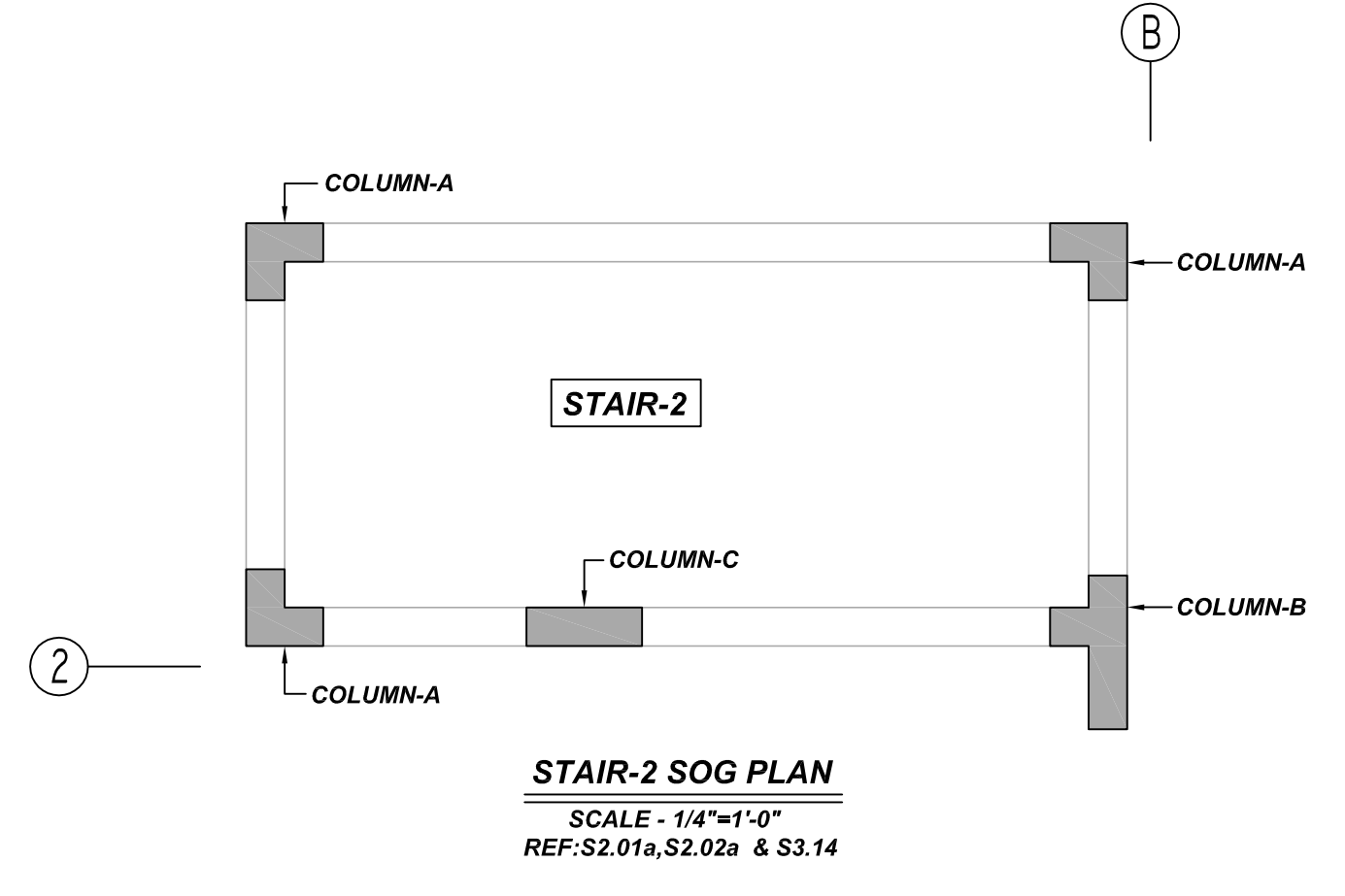
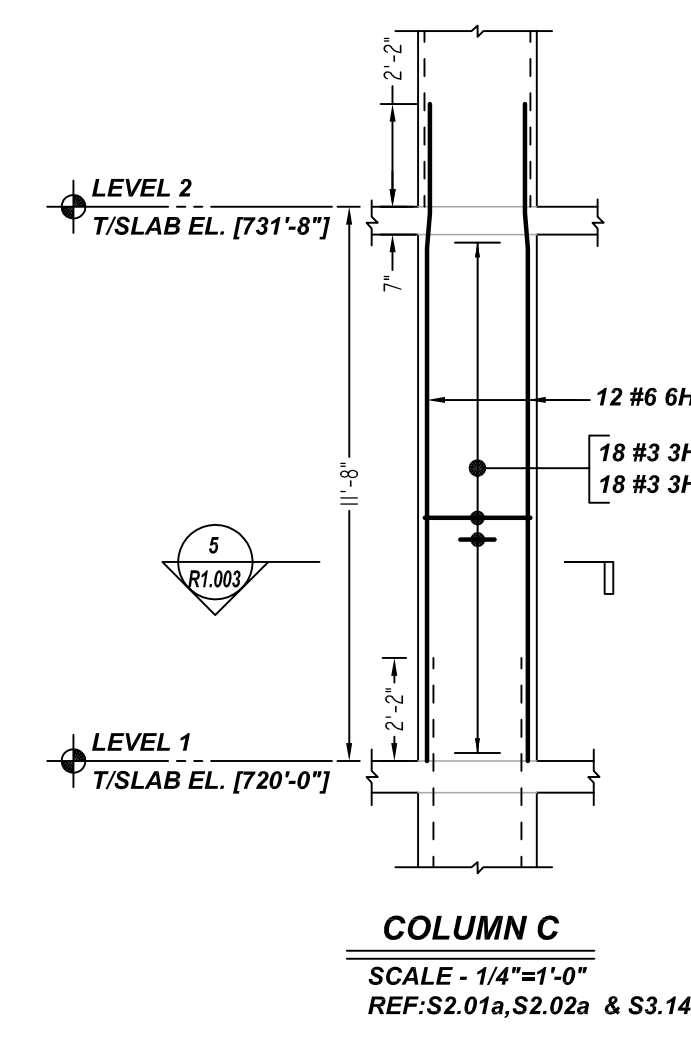
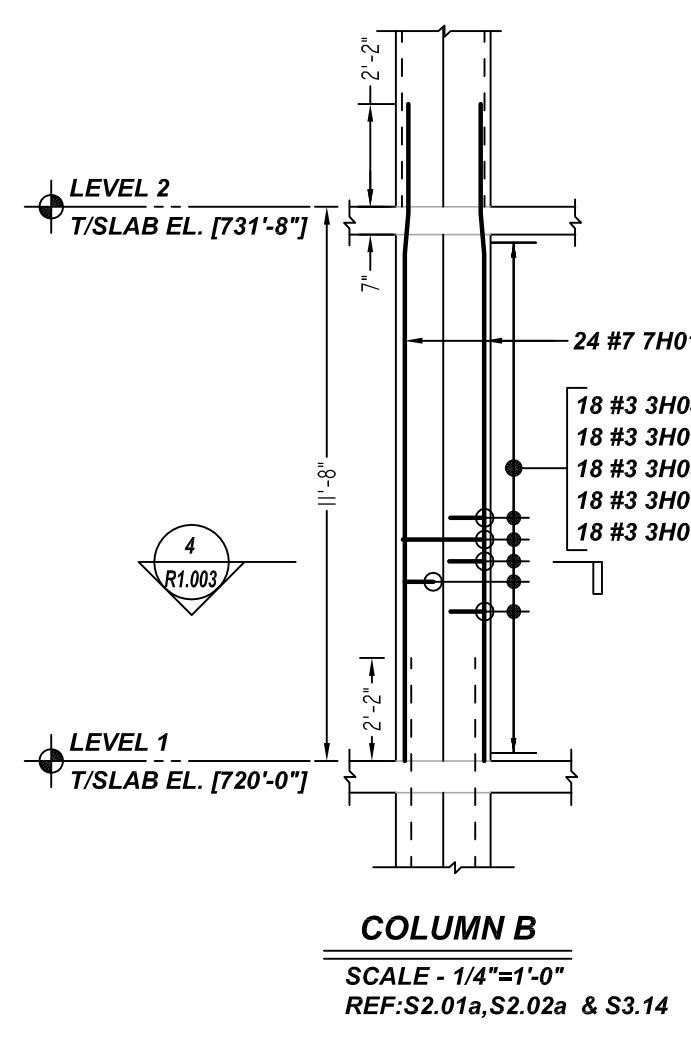
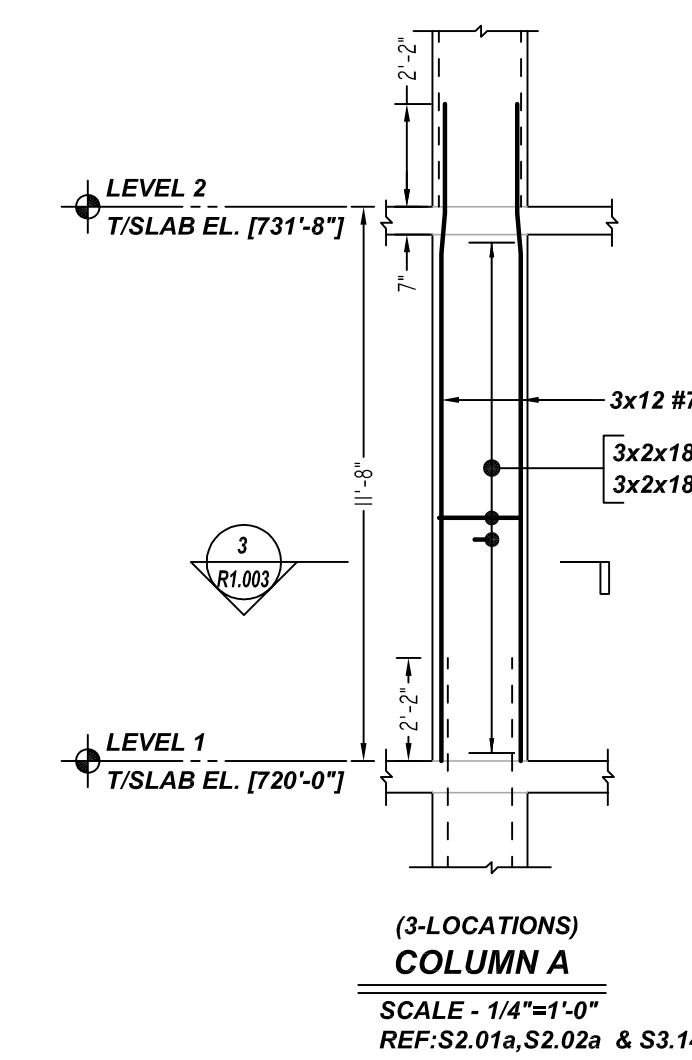
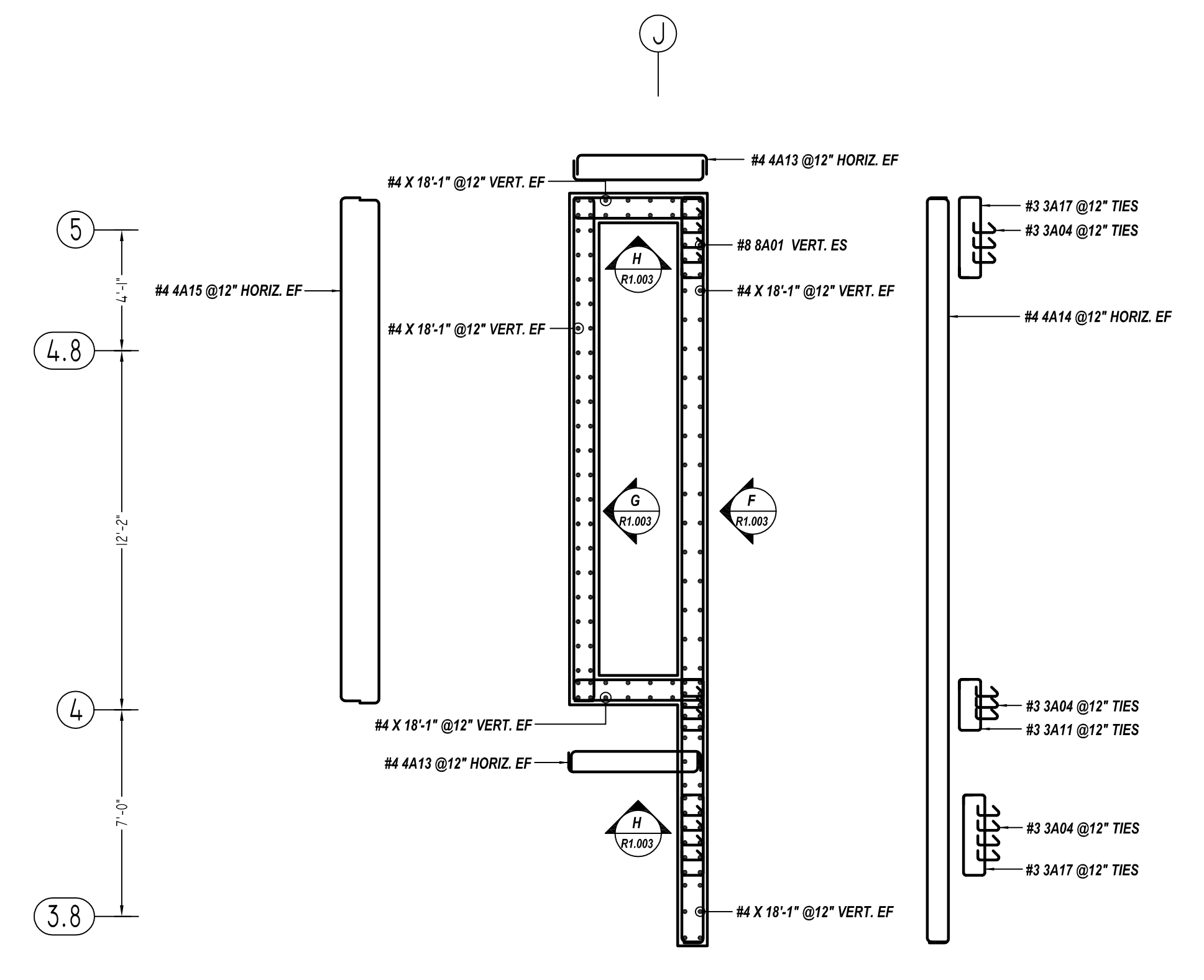
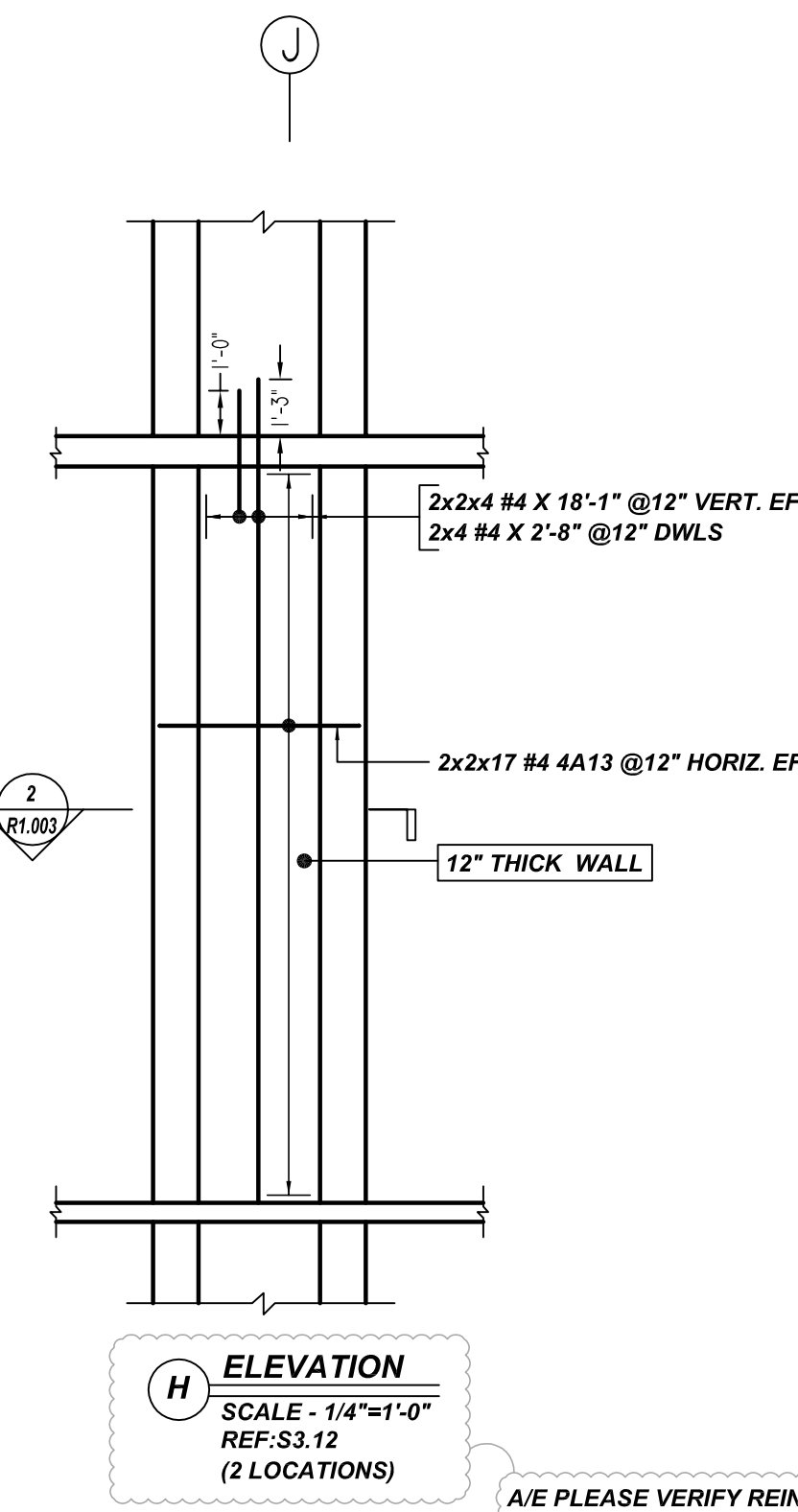
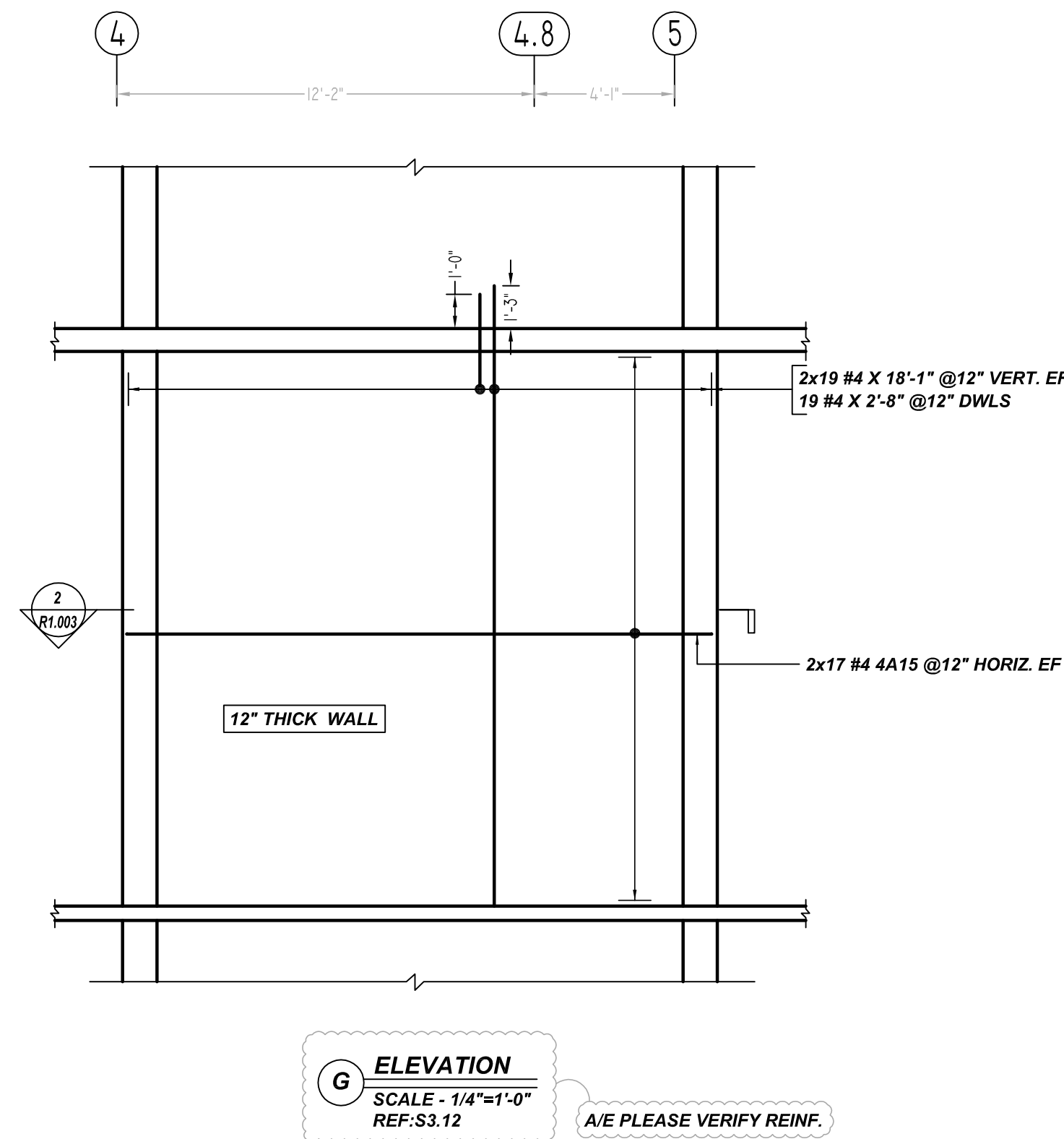
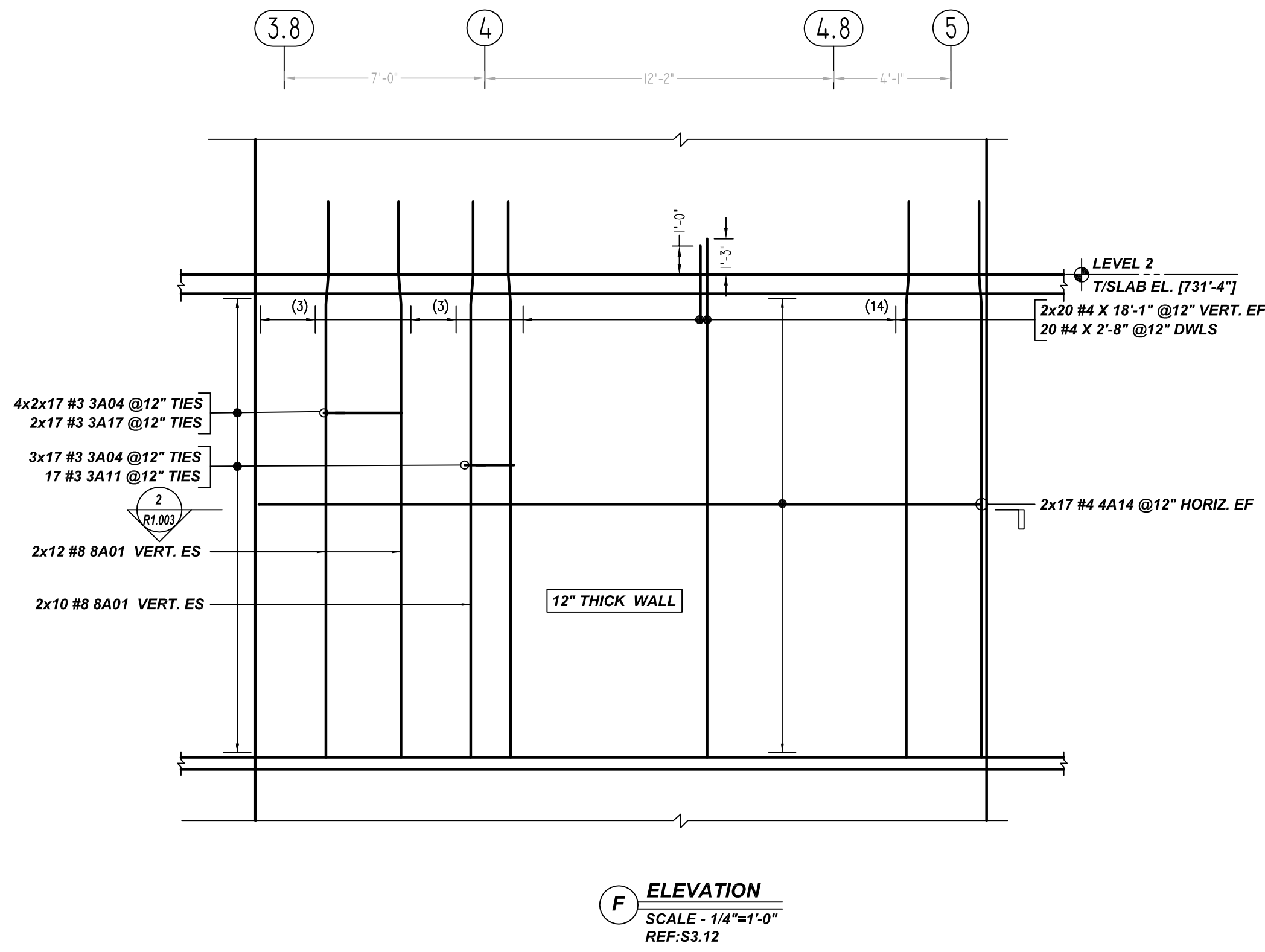
LOCATION	MIN. COVER
WALL	1 1/2" CLR

**ALL BARS IN THIS DRAWING  
ASTM A615 GRADE 60  
BLACK UNCOATED**

THE PLACING DRAWING IS D'AMBRA'S INTERPRETATION OF THE CONTRACT DRAWINGS. IT IS NOT INTENDED AS A STANDALONE DOCUMENT AND MUST ALWAYS BE USED IN CONJUNCTION WITH THE CONTRACT DRAWINGS.

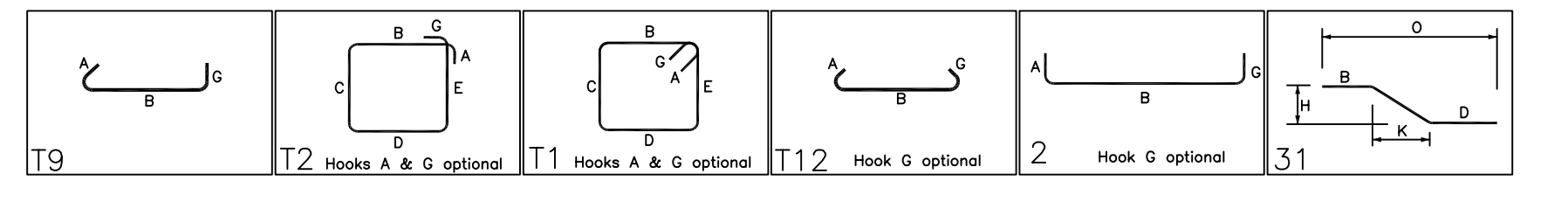
SHEET TITLE:			
<b>SHEAR WALL (L1-L2)</b>			
PROJECT: HALL PARK			
LOCATION: FRISCO, TX			
CUSTOMER: D'AMBRA			
ENGINEER: -			
DETAILER: BCS		JOB # 21007	SHEET # R1.002

ISS.	BY.	DATE	DESCRIPTION
0	BCS	09/17/21	FOR APPROVAL



Release Number: R1.003

Bar Mark	Qty	Size	Total Length	Type	X'	Y'	Z'	X'	Y'	Z'	X'	Y'	Z'	X'	Y'	Z'
3A04	187	#3	1'-5 X	T9	0'-4 X	0'-9										
3A11	17	#3	5'-8	T2	0'-4	0'-9	1'-9	0'-9	1'-9							
3A17	34	#3	7'-8	T2	0'-4	0'-9	2'-9	0'-9	2'-9							
3A01	18	#3	3'-5	T1	0'-4	0'-9	0'-9	0'-9	0'-9							
3A02	18	#3	4'-4	T1	0'-4	0'-9	1'-9	0'-9	1'-9							
3A03	18	#3	5'-8	T1	0'-4	0'-9	1'-9	0'-9	1'-9							
3A04	18	#3	11'-4	T1	0'-4	0'-9	4'-7	0'-9	4'-7							
3A05	126	#3	1'-5 X	T12	0'-4 X	0'-9										
3A06	108	#3	5'-8 X	T1	0'-4 X	0'-9	1'-9	0'-9	1'-9							
3A07	18	#3	5'-3 X	T1	0'-4 X	0'-9	0'-9	0'-9	0'-9							
3A08	18	#3	6'-8 X	T1	0'-4 X	2'-3	0'-9	2'-3	0'-9							
4A13	68	#4	5'-9	2	0'-8	4'-5										
4A14	34	#4	26'-7	2	0'-8	25'-3										
4A15	34	#4	18'-5	2	0'-8	17'-1										
6A01	12	#6	13'-10	31	10'-9 X	0'-9	2'-3 X				0'-1 X	0'-9	13'-10			
7A01	62	#7	13'-10	31	10'-9	0'-10 X	2'-3 X				0'-10 X	0'-9	13'-10			
8A01	44	#8	19'-4 X	31	2'-7	1'-0	15'-9 X				0'-2	1'-9	19'-4 X			



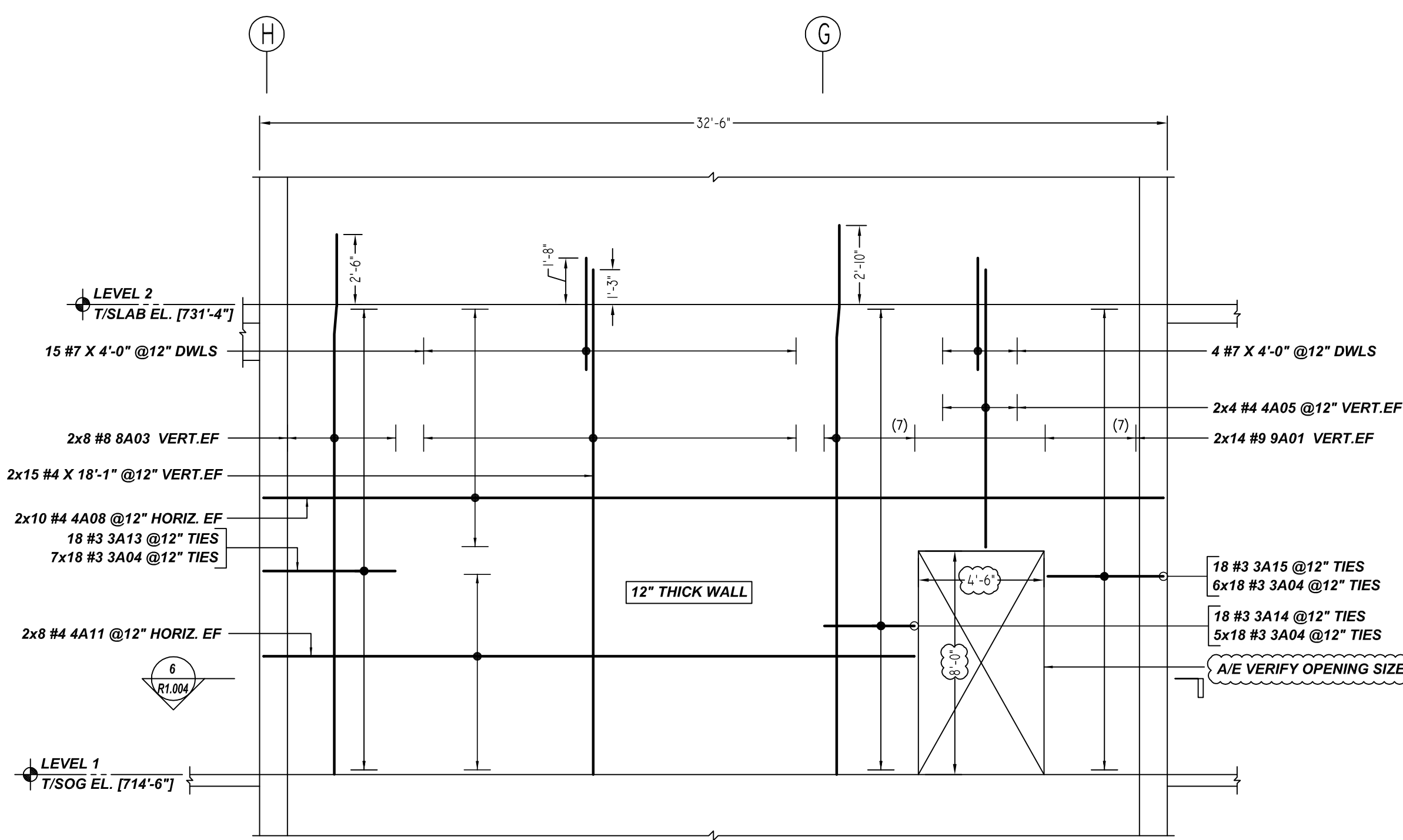
TYPICAL REINFORCING BAR CLEARANCE TABLE

LOCATION	MIN. COVER
WALL	1 1/2" CLR

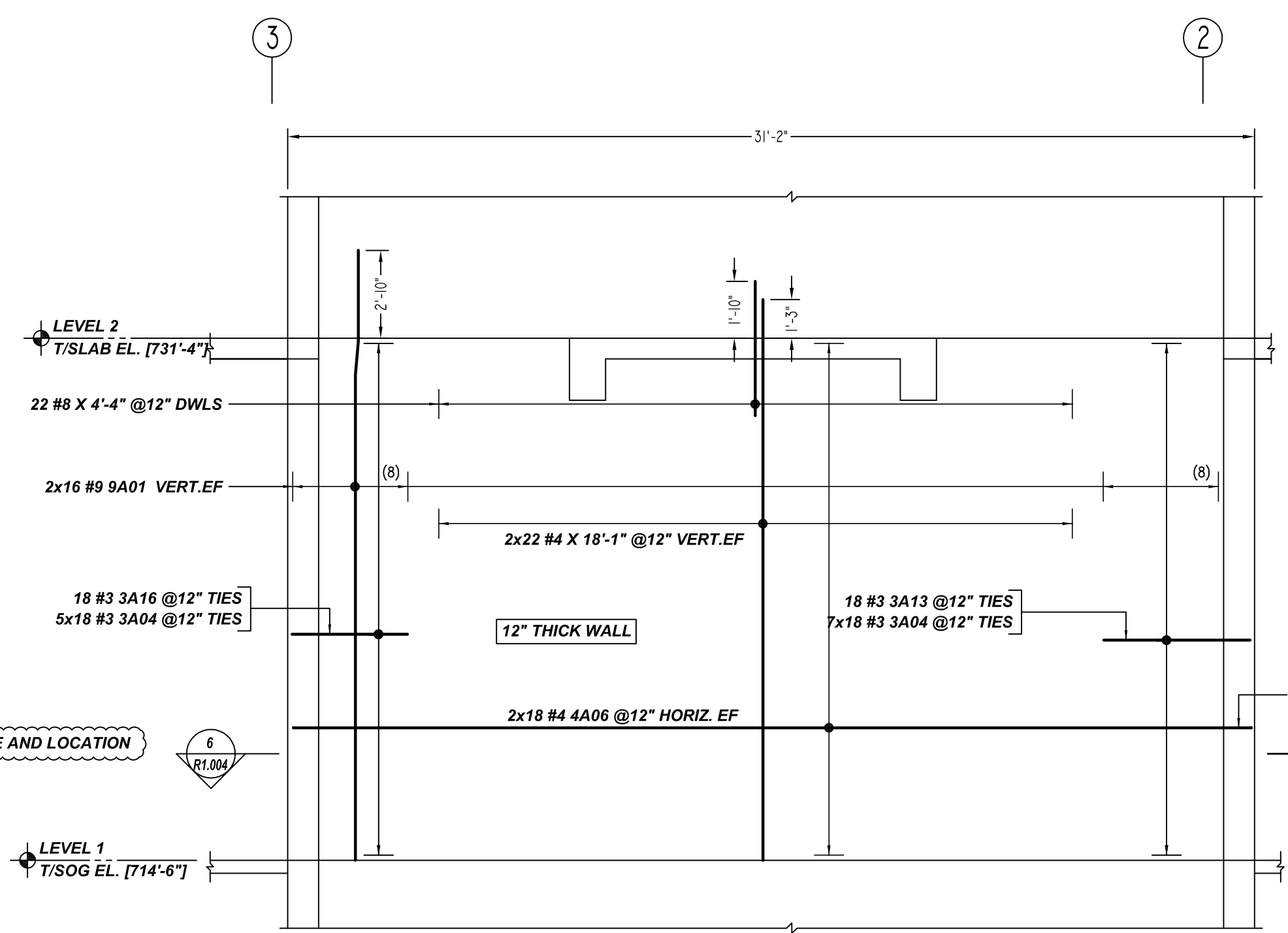
**ALL BARS IN THIS DRAWING  
ASTM A615 GRADE 60  
BLACK UNCOATED**

THE PLACING DRAWING IS D'AMBRA'S INTERPRETATION OF THE CONTRACT DRAWINGS. IT IS NOT INTENDED AS A STANDALONE DOCUMENT AND MUST ALWAYS BE USED IN CONJUNCTION WITH THE CONTRACT DRAWINGS.

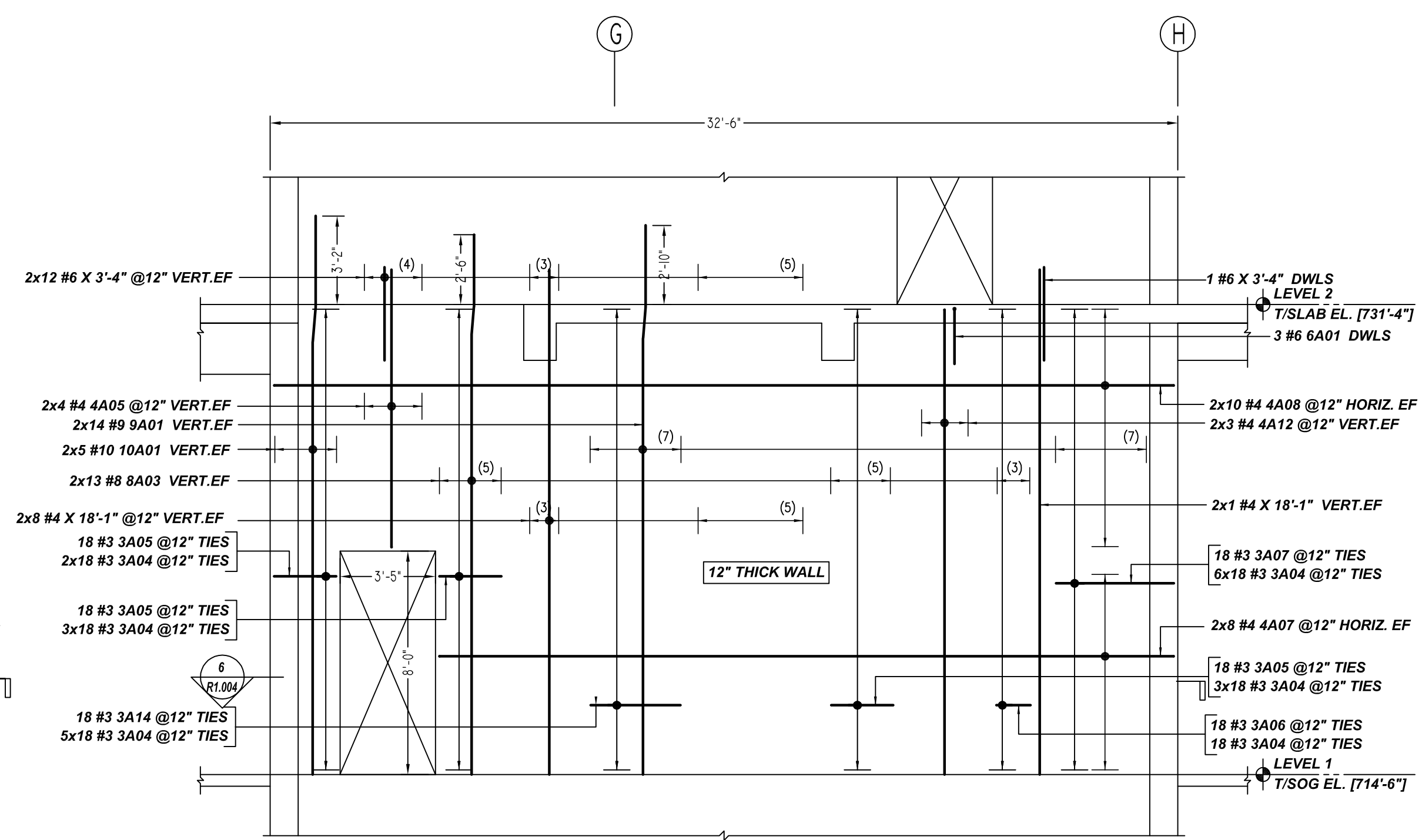
SHEET TITLE: <b>SHEAR WALL (L1-L2)</b>			
PROJECT: HALL PARK			
LOCATION: FRISCO, TX			
ISS.	BY.	DATE	DESCRIPTION
0	BCS	09/17/21	FOR APPROVAL
CUSTOMER: D'AMBRA			
ENGINEER: -			
DETAILER:	JOB #	SHEET #	
BCS	21007	R1.003	



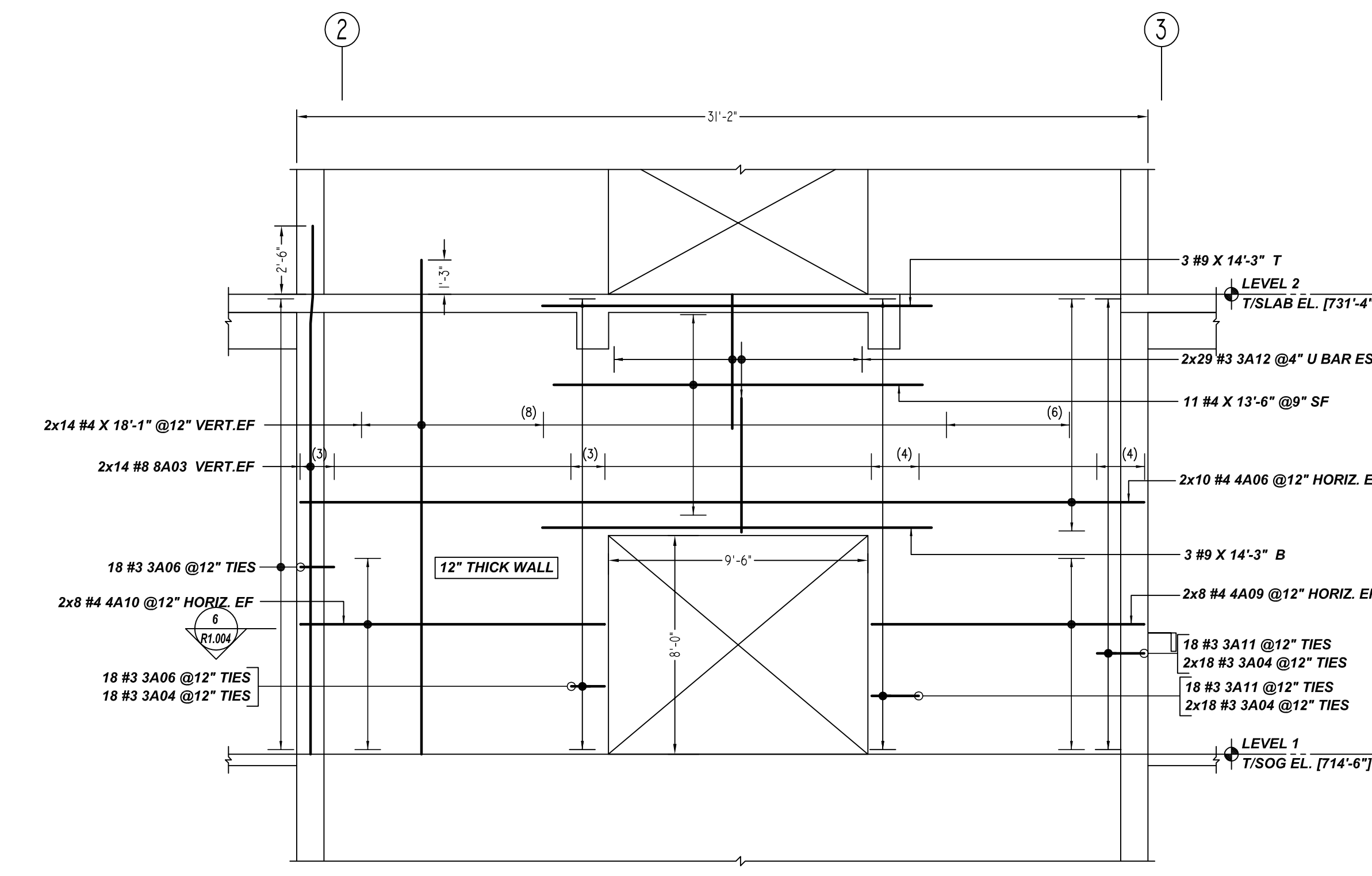
**J ELEVATION**  
SCALE - 1/4"=1'-0"  
REF: S2.01b & S3-10



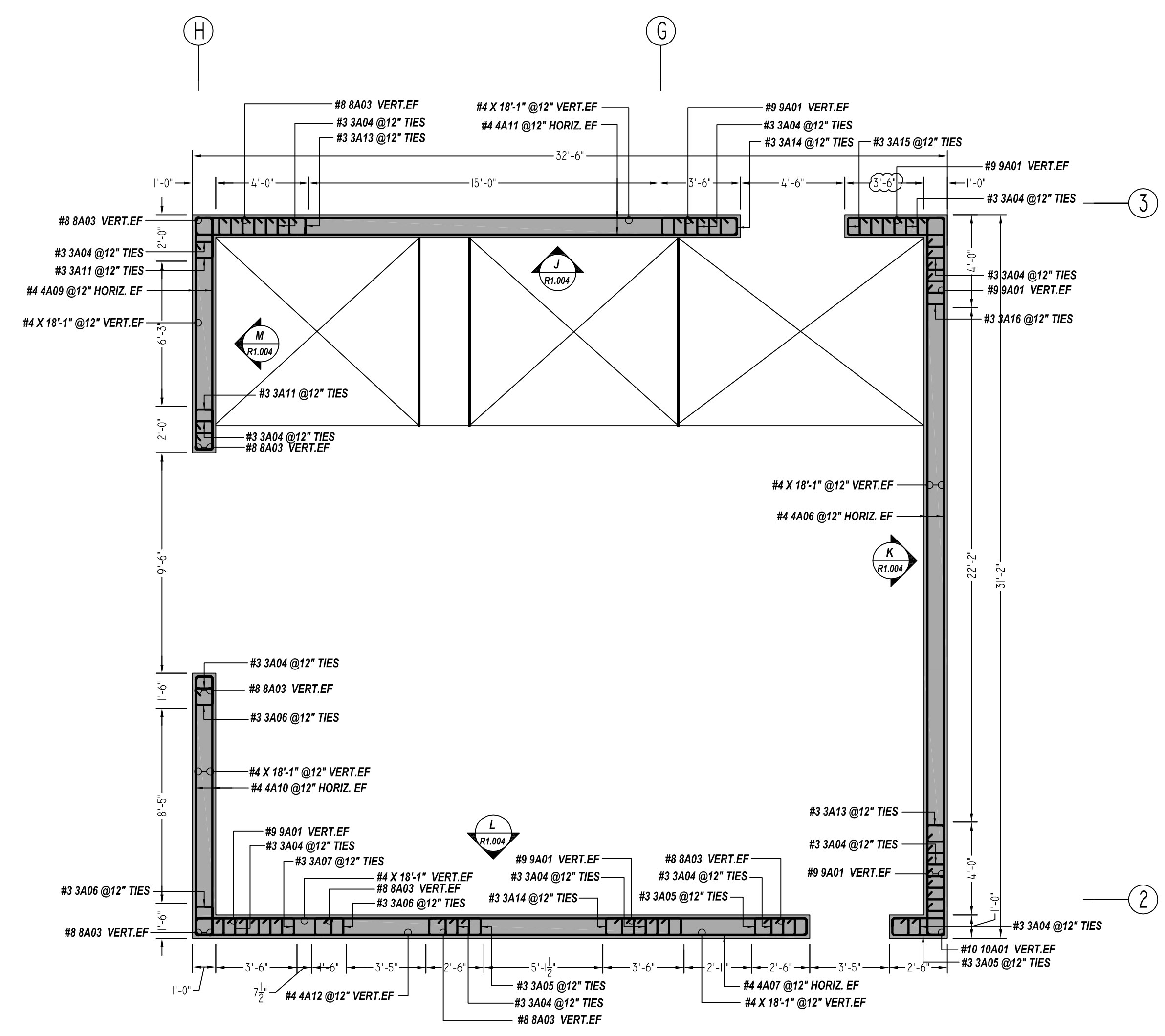
**K ELEVATION**  
SCALE - 1/4"=1'-0"  
REF: S2.01b & S3-10



**L ELEVATION**  
SCALE - 1/4"=1'-0"  
REF: S2.01b & S3-10

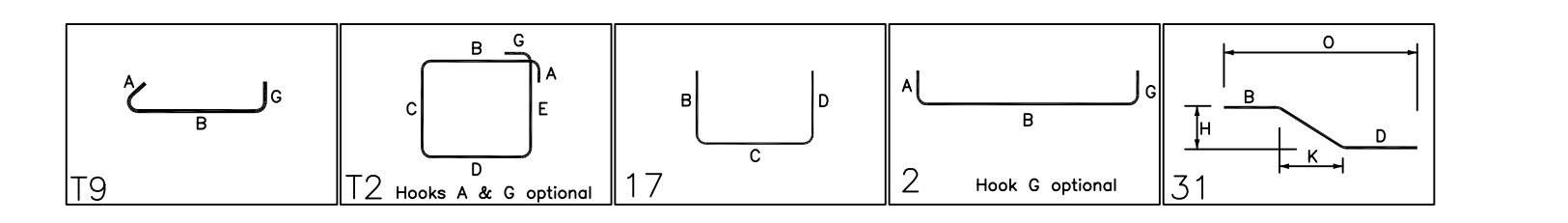


**M ELEVATION**  
SCALE - 1/4"=1'-0"  
REF: S2.01b & S3-10



**6 SECTION**  
SCALE - 1/4"=1'-0"  
REF: S3-10

Bar Mark	Qty	Size	Total Length	Type	X	Y	Z	BAR LIST	W	V	U	T	S	R	Q	P	O	N	M	L	K	J	I	H	G	F	E	D	C	B	A	
3A04	902	#3	17'-5.4"	T9	0'-4.4"	0'-9"	0'-9"																									
3A05	54	#3	4'-8"	T2	0'-4"	0'-9"	2'-3"	0'-9"	2'-3"	0'-4"																						
3A06	54	#3	4'-8"	T2	0'-4"	0'-9"	1'-3"	0'-9"	1'-3"	0'-4"																						
3A07	18	#3	10'-8"	T2	0'-4"	0'-9"	4'-3"	0'-9"	4'-3"	0'-4"																						
3A11	36	#3	5'-8"	T2	0'-4"	0'-9"	1'-9"	0'-9"	1'-9"	0'-4"																						
3A12	36	#3	10'-7"	T2	0'-4"	0'-9"	4'-11"	0'-9"	4'-11"	0'-4"																						
3A13	36	#3	11'-8"	T2	0'-4"	0'-9"	4'-9"	0'-9"	4'-9"	0'-4"																						
3A14	36	#3	8'-8"	T2	0'-4"	0'-9"	3'-3"	0'-9"	3'-3"	0'-4"																						
3A15	18	#3	10'-8"	T2	0'-4"	0'-9"	4'-2"	0'-9"	4'-2"	0'-4"																						
3A16	18	#3	9'-8"	T2	0'-4"	0'-9"	3'-9"	0'-9"	3'-9"	0'-4"																						
4A05	18	#4	10'-7.8"	2	0'-8"	9'-11.8"																										
4A06	36	#4	32'-3"	2	0'-8"	30'-11"																										
4A07	18	#4	27'-8"	2	0'-8"	26'-4"																										
4A08	42	#4	33'-7"	2	0'-8"	32'-3"																										
4A09	18	#4	11'-4"	2	0'-8"	10'-0"																										
4A10	18	#4	12'-8"	2	0'-8"	11'-2"																										
4A11	18	#4	24'-8"	2	0'-8"	23'-4"																										
4A12	6	#4	17'-4"	2	0'-8"	16'-8"																										
8A01	3	#8	3'-0"	2	1'-0"	2'-0"																										
8A03	30	#8	19'-4"	31	2'-7"	1'-0"	15'-8"																									
8A04	88	#8	18'-8"	31	2'-11"	1'-1.4"	15'-7.8"																									
10A01	10	#10	20'-0"	31	3'-3"	1'-3"	15'-8"																									



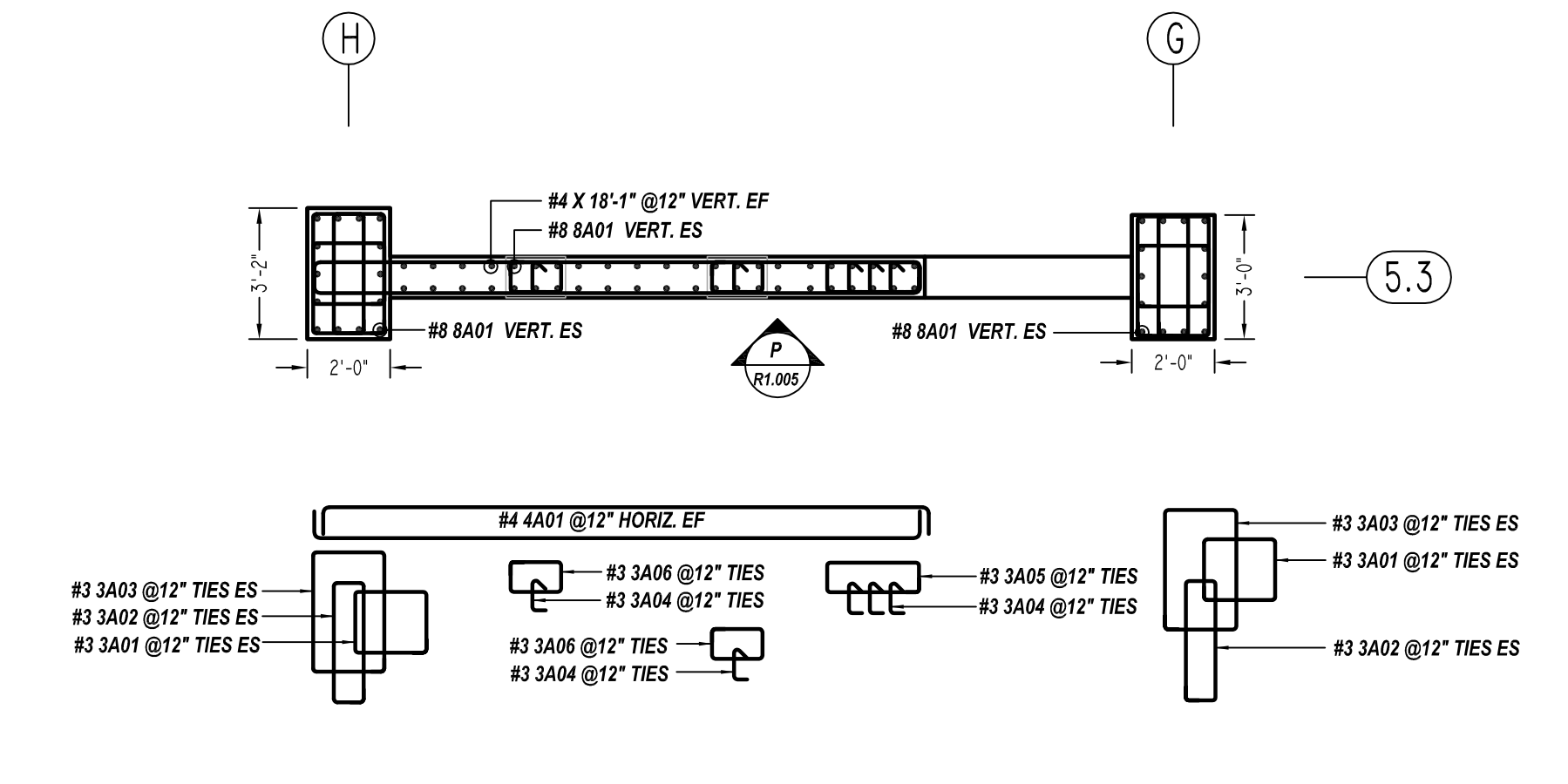
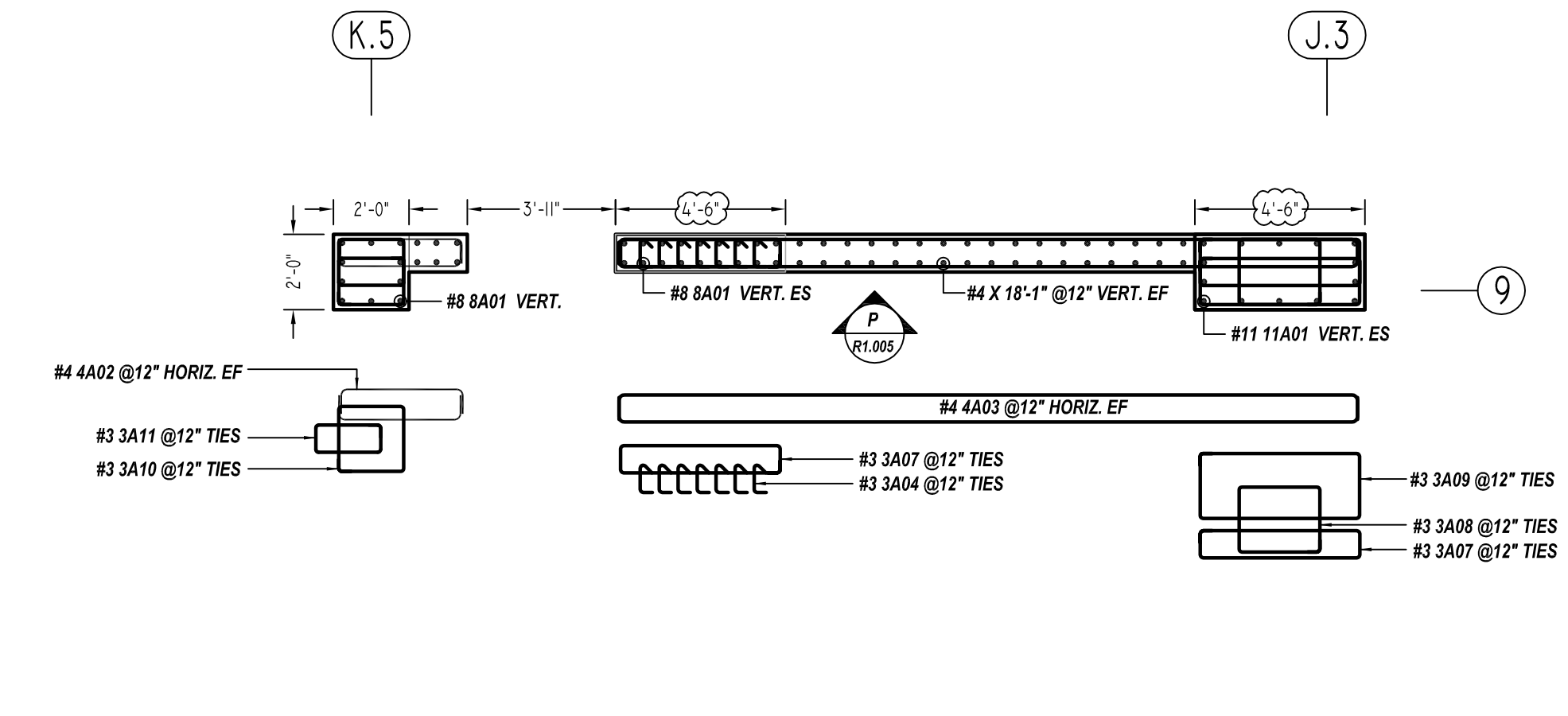
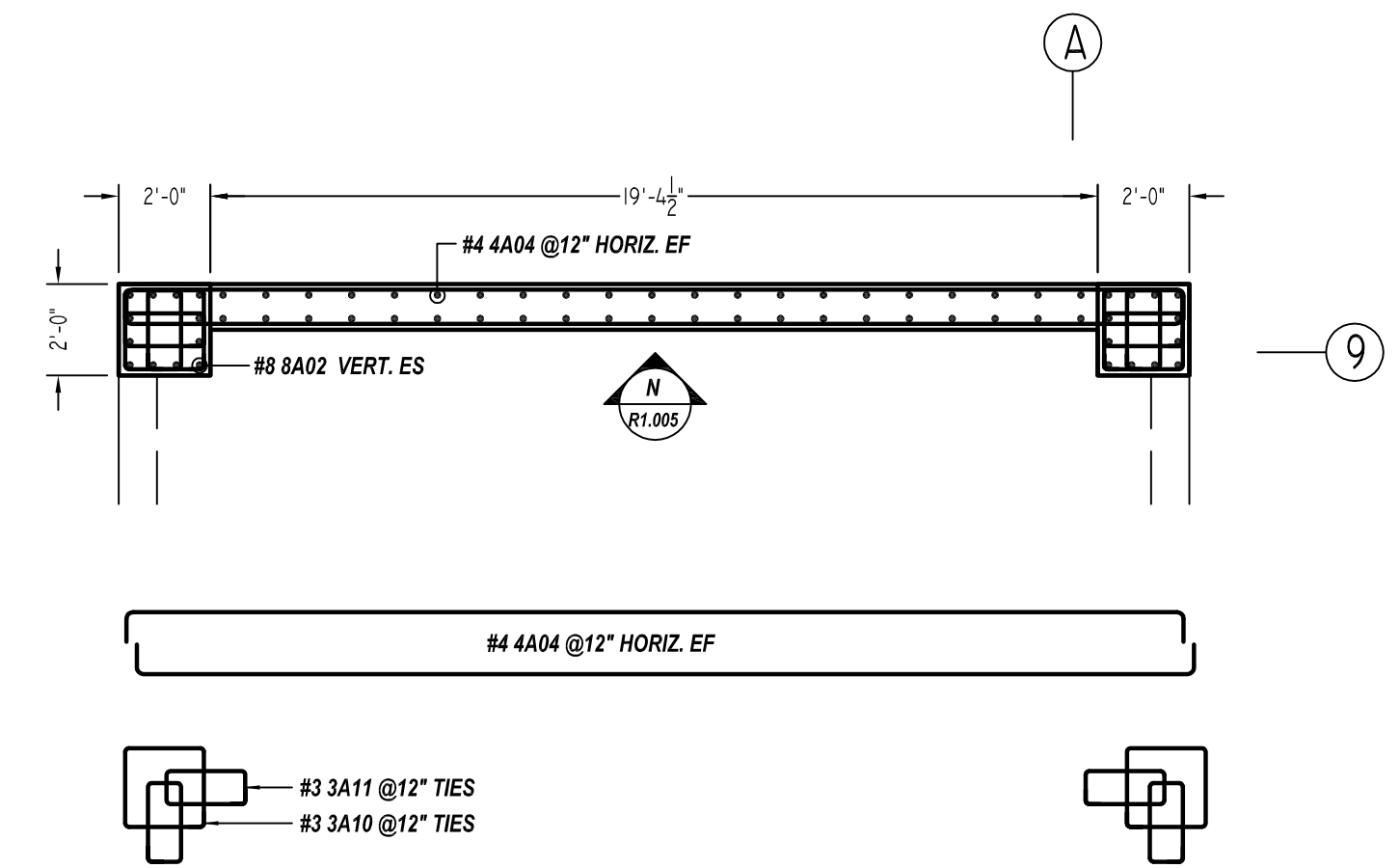
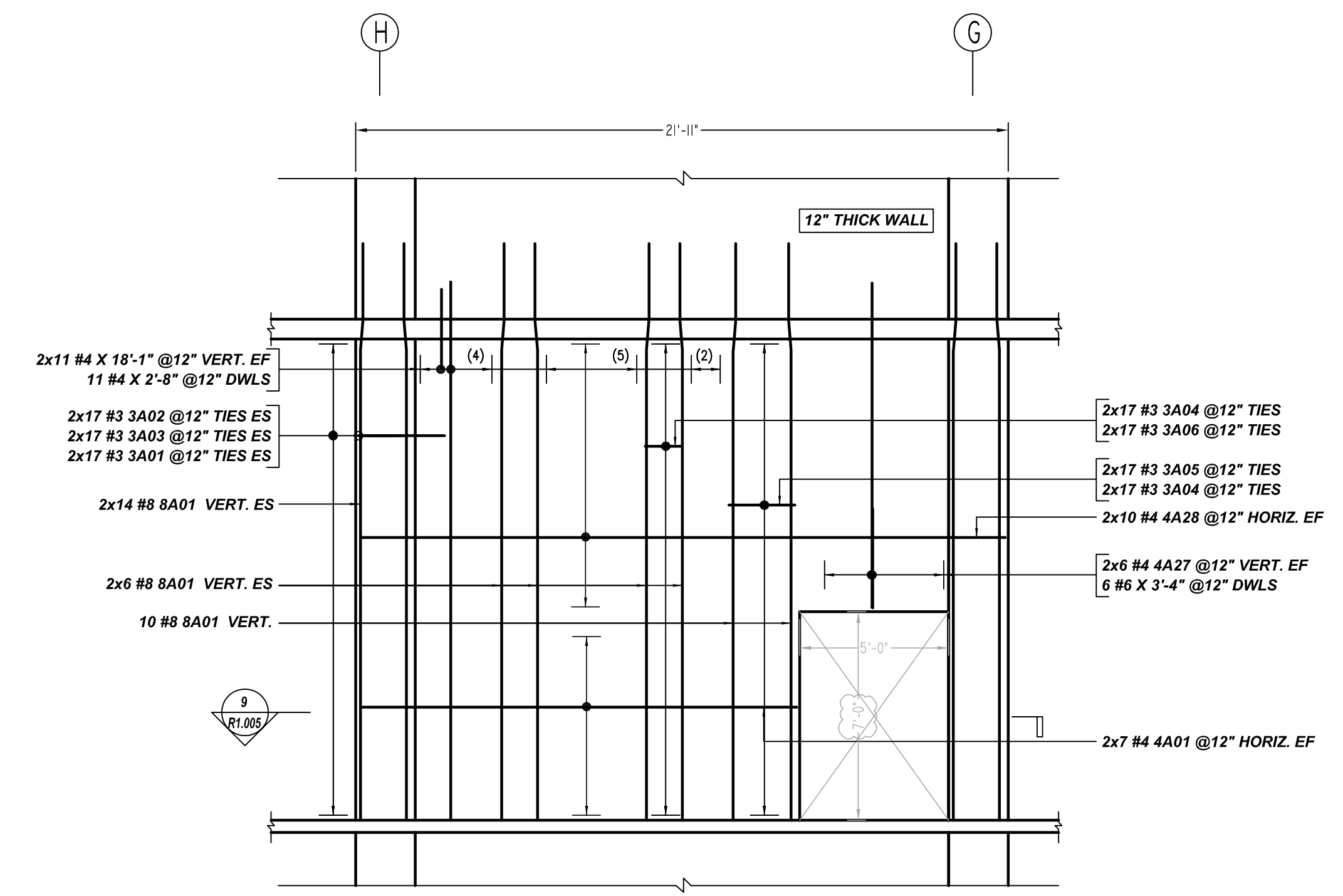
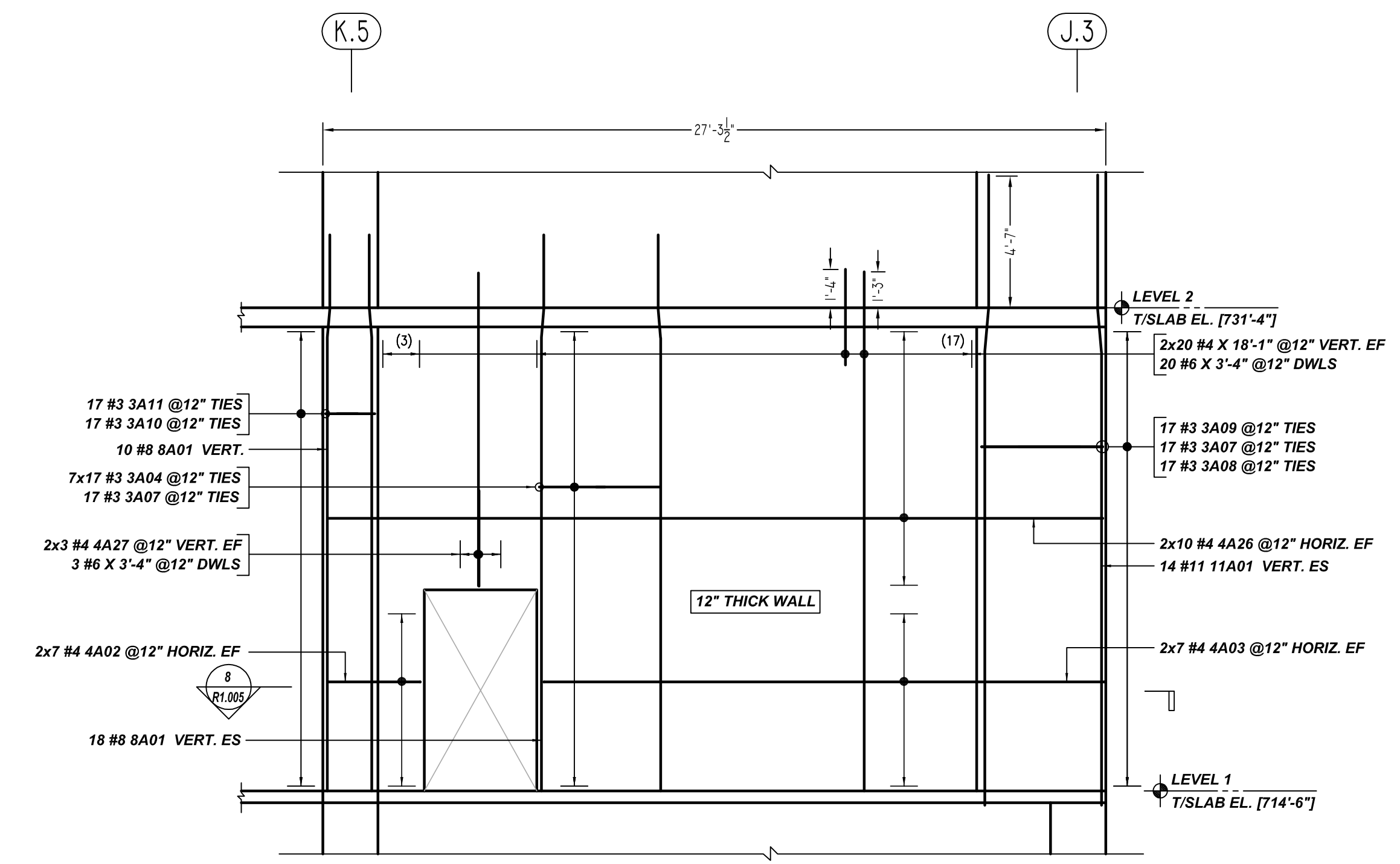
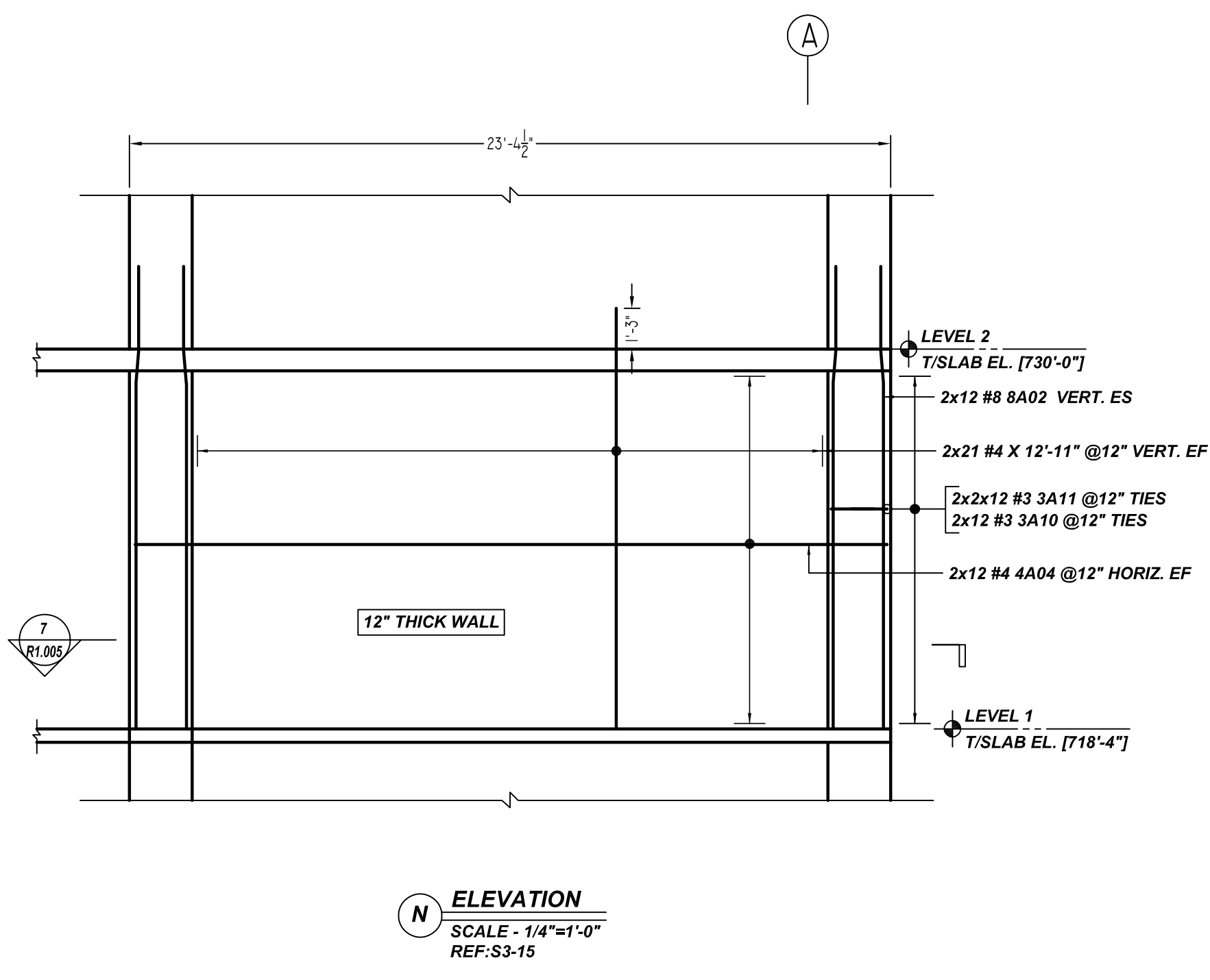
TYPICAL REINFORCING BAR CLEARANCE TABLE	
LOCATION	MIN. COVER
WALL	1 1/2" CLR

**ALL BARS IN THIS DRAWING  
ASTM A615 GRADE 60  
BLACK UNCOATED**

THE PLACING DRAWING IS D'AMBRA'S INTERPRETATION OF THE CONTRACT DRAWINGS. IT IS NOT INTENDED AS A STANDALONE DOCUMENT AND MUST ALWAYS BE USED IN CONJUNCTION WITH THE CONTRACT DRAWINGS.

SHEET TITLE: <b>SHEAR WALL (L1-L2)</b>			
PROJECT: HALL PARK			
LOCATION: FRISCO, TX			
CUSTOMER: D'AMBRA			
ENGINEER: -			
DETAILER: BCS		JOB # 21007	SHEET # R1.004

ISS.	BY.	DATE	DESCRIPTION
0	BCS	09/17/21	FOR APPROVAL

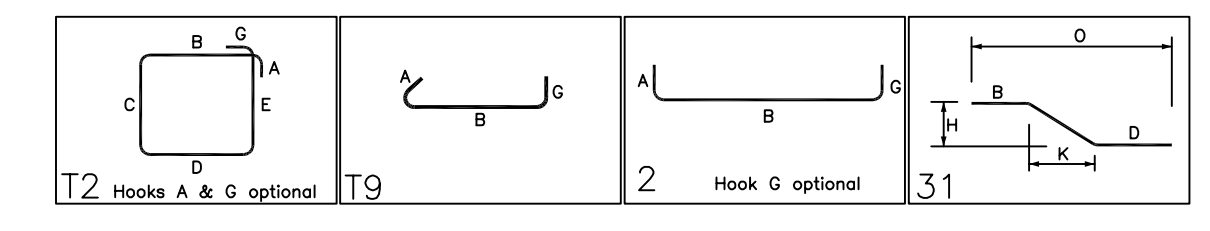


Release Number: R1.005

Bar Mark	Qty	Size	Total Length	Type	X	Y	Z	W	V	U	T	S	R	Q	P	O	N	M	L	K	J	I	H	G	F	E	D	C	B	A
3A01	34	#3	7'-2"	T2	0'-4"	1'-5"	1'-9"	1'-6"	1'-9"																					
3A02	34	#3	8'-0"	T2	0'-4"	0'-9"	2'-11"	0'-9"	2'-11"																					
3A03	34	#3	10'-0"	T2	0'-4"	1'-9"	2'-11"	1'-9"	2'-11"																					
3A04	187	#3	1'-5.5 X	T8	0'-4 X	0'-9"	0'-9"	0'-9"	0'-9"																					
3A05	34	#3	6'-8"	T2	0'-4"	0'-9"	2'-3"	0'-9"	2'-3"																					
3A06	34	#3	4'-8"	T2	0'-4"	0'-9"	1'-3"	0'-9"	1'-3"																					
3A07	34	#3	10'-8"	T2	0'-4"	0'-9"	4'-3"	0'-9"	4'-3"																					
3A08	17	#3	8'-8"	T2	0'-4"	1'-9"	2'-2"	1'-9"	2'-2"																					
3A09	17	#3	12'-8"	T2	0'-4"	1'-9"	4'-3"	1'-9"	4'-3"																					
3A10	41	#3	7'-8"	T2	0'-4"	1'-9"	1'-9"	1'-9"	1'-9"																					
3A11	65	#3	5'-8"	T2	0'-4"	0'-9"	1'-9"	0'-9"	1'-9"																					
4A01	14	#4	16'-0"	2	0'-8"	14'-8"																								
4A02	14	#4	4'-7"	2	0'-8"	3'-3"																								
4A03	14	#4	20'-11"	2	0'-8"	19'-7"																								
4A04	24	#4	25'-5.5 X	2	0'-8"	23'-1 X																								
4A26	20	#4	28'-4 X	2	0'-8"	27'-0 X																								
4A27	18	#4	11'-7"	2	0'-8"	10'-11"																								
4A28	20	#4	23'-0"	2	0'-8"	21'-8"																								
8A01	78	#8	19'-4 X	31	2'-7"	1'-0"	15'-9 X																							
8A02	24	#8	14'-2 X	31	2'-7"	1'-0"	10'-7 X																							
11A01	14	#11	21'-11 X	31	4'-8"	1'-6 X	15'-9 X																							

LOCATION	MIN. COVER
WALL	1 1/2" CLR

**ALL BARS IN THIS DRAWING  
ASTM A615 GRADE 60  
BLACK UNCOATED**



THE PLACING DRAWING IS D'AMBRA'S INTERPRETATION OF THE CONTRACT DRAWINGS. IT IS NOT INTENDED AS A STANDALONE DOCUMENT AND MUST ALWAYS BE USED IN CONJUNCTION WITH THE CONTRACT DRAWINGS.			
SHEET TITLE: <b>SHEAR WALL (L1-L2)</b>			
PROJECT: HALL PARK			
LOCATION: FRISCO, TX			
ISS.	BY:	DATE	DESCRIPTION
0	BCS	09/17/21	FOR APPROVAL
CUSTOMER: D'AMBRA			
ENGINEER: -			
DETAILER:	JOB #	SHEET #	
BCS	21007	R1.005	