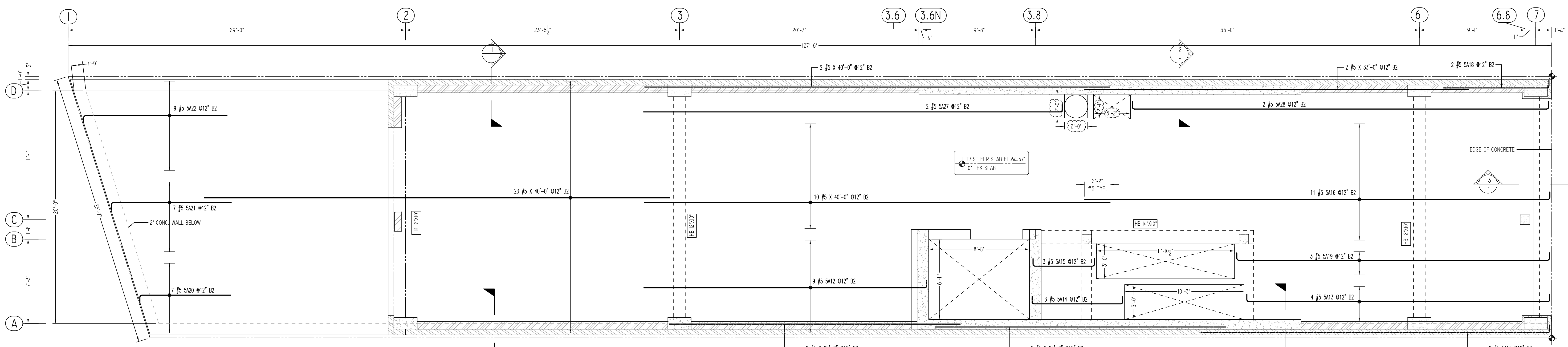


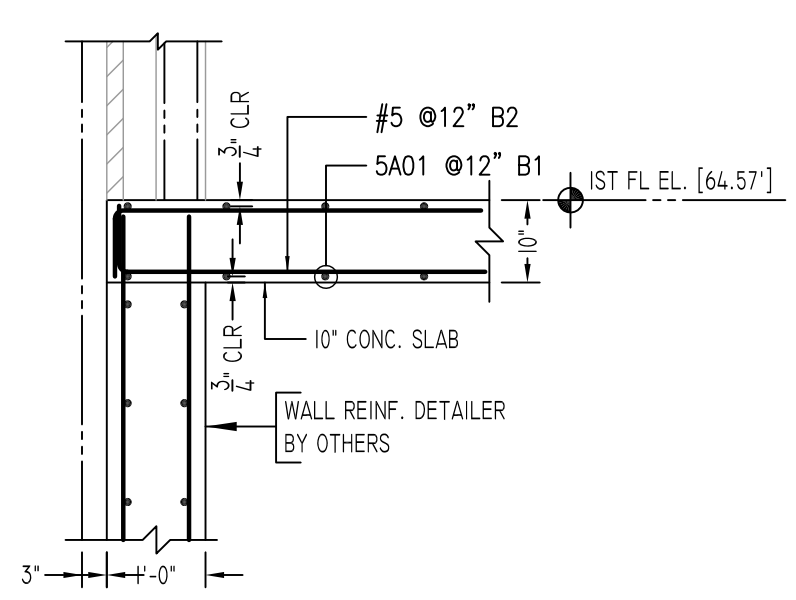
AT BOTTOM (B1 LAYER)
FIRST FLOOR SLAB REINFORCEMENT DETAILS
SCALE - 1/4"=1'-0"
REF:S-101.04



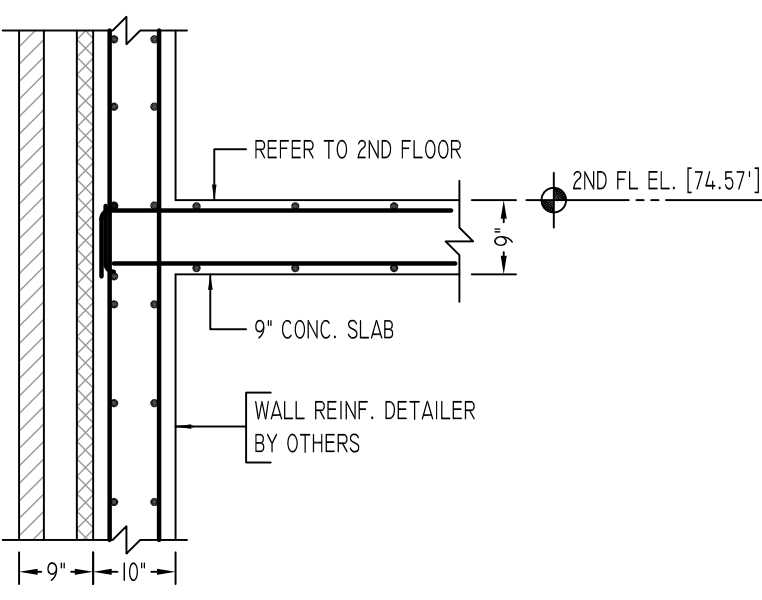
AT BOTTOM (B2 LAYER)
FIRST FLOOR SLAB REINFORCEMENT DETAILS
SCALE - 1/4"=1'-0"
REF:S-101.04

Release Number: RS-01

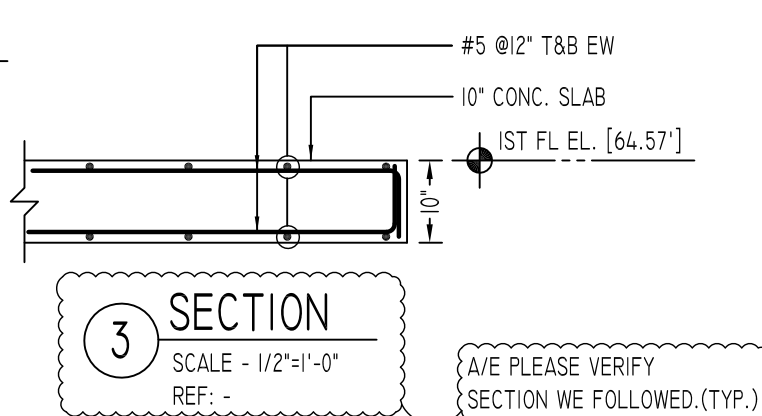
Bar Mark	Qty	Size	Total Length	Type	X	Y	Y'	X'	Y''	Y'''	W	V	W'	V'	W''	V''	W'''	V'''
SA01	97	#5	23'-0"	17		0'-8"	21'-8"	0'-8"										
SA02	10	#5	14'-9"	17		0'-8"	13'-5"	0'-8"										
SA03	3	#5	19'-8"	17		0'-8"	18'-4"	0'-8"										
SA04	1	#5	4'-9"	17		0'-8"	3'-5"	0'-8"										
SA05	1	#5	7'-11"	17		0'-8"	6'-7"	0'-8"										
SA06	1	#5	11'-1"	17		0'-8"	9'-9"	0'-8"										
SA07	1	#5	14'-4"	17		0'-8"	13'-0"	0'-8"										
SA08	1	#5	17'-5"	17		0'-8"	15'-2"	0'-8"										
SA09	1	#5	20'-8"	17		0'-8"	19'-4"	0'-8"										
SA10	3	#5	11'-9"	17		0'-8"	10'-5"	0'-8"										
SA11	10	#5	15'-2"	17		0'-8"	13'-10"	0'-8"										
SA12	9	#5	25'-0"	17		0'-8"	24'-4"	0'-8"										
SA13	4	#5	27'-5"	17		0'-8"	26'-11"	0'-8"										
SA14	3	#5	9'-2"	17		0'-8"	7'-10"	0'-8"										
SA15	3	#5	6'-8"	17		0'-8"	5'-2"	0'-8"										
SA16	11	#5	40'-8"	17		0'-8"	40'-0"	0'-8"										
SA17	2	#5	30'-8"	17		0'-8"	30'-0"	0'-8"										
SA18	2	#5	9'-9"	17		0'-8"	9'-11"	0'-8"										
SA19	3	#5	28'-3"	17		0'-8"	26'-11"	0'-8"										
SA20	7	#5	8'-6"	17		0'-8"	7'-10"	0'-8"										
SA21	7	#5	11'-0"	17		0'-8"	10'-4"	0'-8"										
SA22	9	#5	13'-0"	17		0'-8"	12'-4"	0'-8"										
SA25	1	#5	18'-8"	17		0'-8"	17'-4"	0'-8"										
SA26	2	#5	5'-10"	17		0'-8"	4'-4"	0'-8"										
SA27	2	#5	36'-8"	17		0'-8"	36'-0"	0'-8"										
SA28	2	#5	37'-2"	17		0'-8"	35'-10"	0'-8"										



SECTION 1
SCALE - 1/2"=1'-0"
REF:1/S202.03



SECTION 2
SCALE - 1/2"=1'-0"
REF:2/S202.03



SECTION 3
SCALE - 1/2"=1'-0"
REF: -
[A/E PLEASE VERIFY SECTION WE FOLLOWED.(TYP.)]

FOR SLAB & BEAM

SIZE	6000 PSI	
	OTHERS	TOP
#3	16"	23"
#4	21"	31"
#5	26"	38"
#6	31"	46"
#7	45"	67"
#8	51"	76"
#9	57"	86"
#10	64"	96"
#11	71"	107"

[A/E PLEASE VERIFY COVER VALUE (TYP.)]

TYPICAL REINFORCING BAR CLEARANCE TABLE	
LOCATION	MIN. COVER
SLAB TOP & BOTTOM	3/4" CLR
END	2" CLR
BEAM (TIES, REINF.)	1 1/2" CLR

**ALL BARS IN THIS DRAWING
ASTM A615 GRADE 60
BLACK UNCOATED**

Abbreviations:
IF=Inside Face
OF=Outside Face
EF=Each Face
DWLS=Dowels
V=Vertical
H=Horizontal
COR=Corner
SLAB DWLS=Slab Dowels
EW=Each Way
B=Bottom
T=Top
M DWL= Masonry Dowel
BB=Bond Beam
ADDL=Additional
INT=Intersection
ES=Each Side

OPNG=Opening
BAL=Balance
BTW=Between
CJ=Construction Joint
CLR=CLEARANCE
CMU= Concrete Masonry Unit
CONT=Continuous
EMBED=Embedment
JAMB = Jamb bars
(BL)=Black Bar
(EP)=Epoxy Bar
(GA)= Galvanized
(TB)= Threaded Bar
(CB)= Coupler Bar

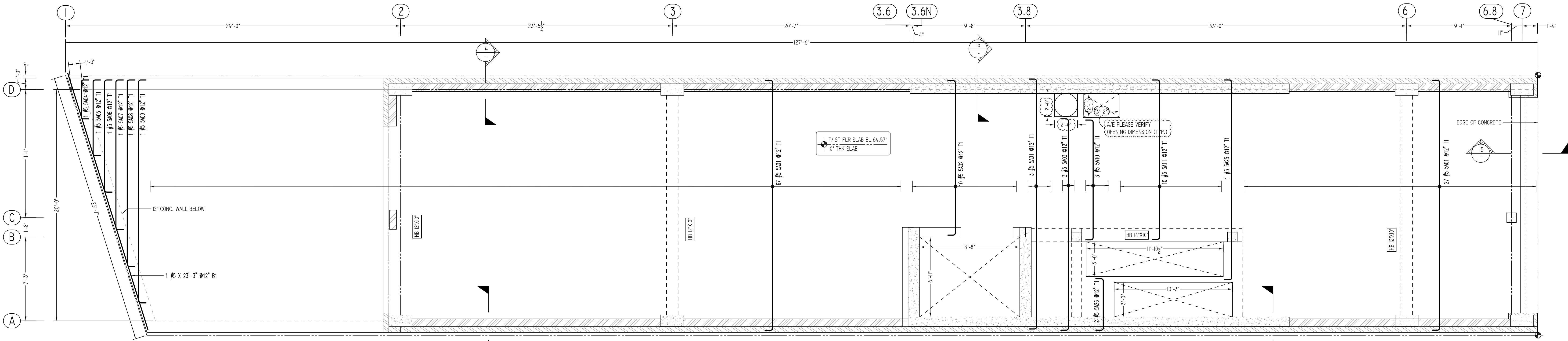
NOTICE

Shortages, improper fabrication or claims for any other reason must be reported to this company within a period of 15 days of delivery. This company reserves the right to field inspect prior to replacement or reconditioning of nonconforming material, and will not honor charges for work done in the field without specific authorization from this company.

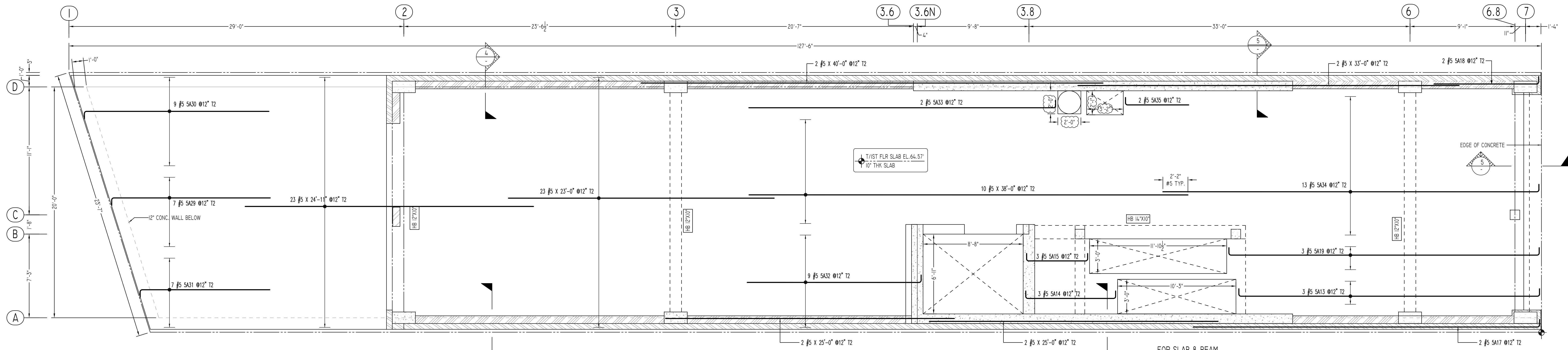
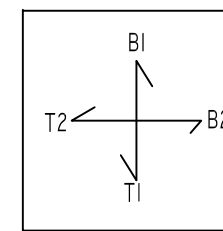
REINFORCING STEEL PLACING DRAWINGS ONLY USE IN CONJUNCTION WITH CONTRACT DRAWINGS & SPECIFICATIONS. ELEVATIONS & DIMENSIONS SHOWN ON THIS DRAWING ARE FOR DETAILING PURPOSES ONLY AND SHOULD NOT BE USED FOR CONSTRUCTION UNLESS VERIFIED BY ENGINEER OR CONTRACTOR.

REVISION MARK	REVISION DETAILS	DATE
0	FOR APPROVAL	01/22/2021

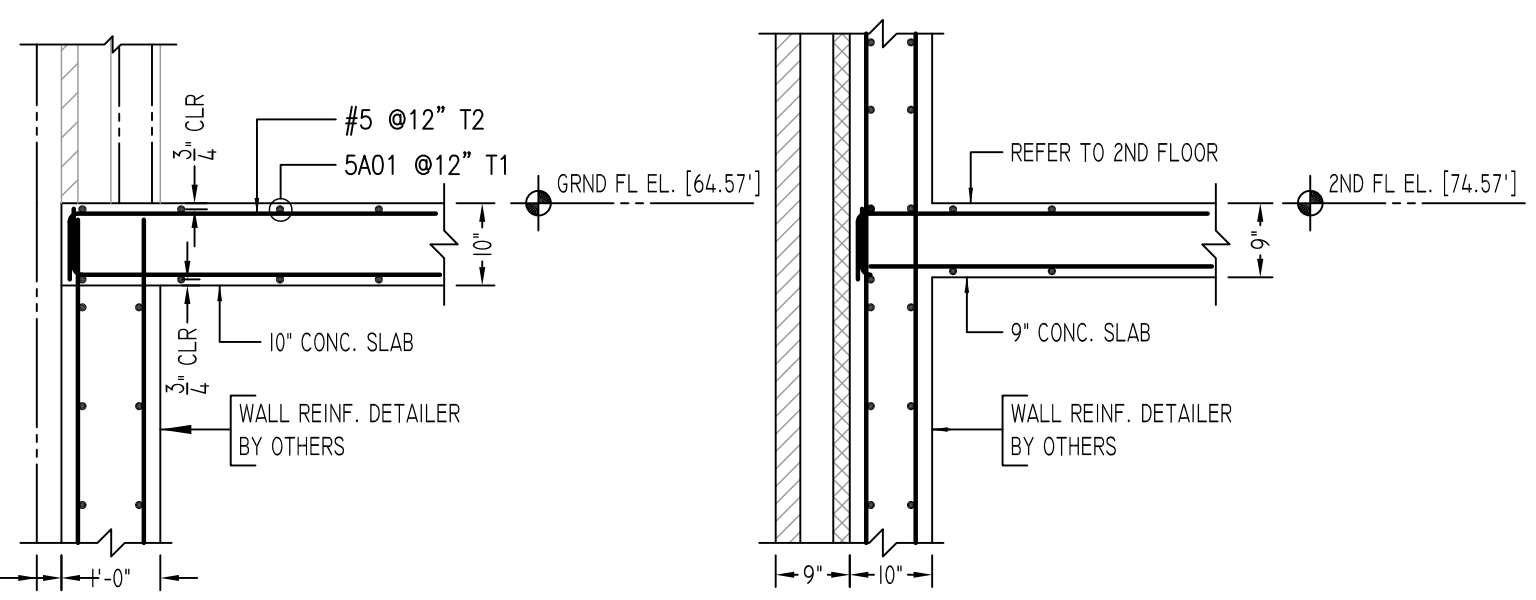
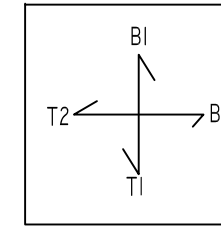
PROJECT	142.20 SANFORD AVE		
LOCATION	FLUSHING, NY 11355		
ARCHITECT	MICHAEL KANG ARCHITECT, PLLC		
ENGINEER	LMW ENGINEERING GROUP, LLC		
CUSTOMER	BLUESTONE CONTRACTING		
DRAWN BY:	DATE:	REVIEWED BY:	JOB NO.
KKL/MRS	01/22/21	T/L	21010
DRAWING TITLE:			DRAWING NO.:
FIRST FLOOR SLAB REINFORCEMENT DETAILS			RS-01



AT TOP (T1 LAYER)
FIRST FLOOR SLAB REINFORCEMENT DETAILS
 SCALE - 1/4"=1'-0"
 REF.S-101.04

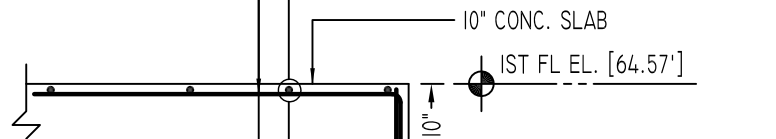


AT TOP (T2 LAYER)
FIRST FLOOR SLAB REINFORCEMENT DETAILS
 SCALE - 1/4"=1'-0"
 REF.S-101.04



SECTION 3
 SCALE - 1/2"=1'-0"
 REF.I/S202.03

SECTION 4
 SCALE - 1/2"=1'-0"
 REF.I/S202.03



SECTION 5
 SCALE - 1/2"=1'-0"
 REF.I/S202.03

Bar Work	Qty	Size	Total Length	Type	BENDING DETAILS																	
					X'	Y'	Z'	V'	W'	U'	T'	S'	R'	Q'	P'							
SA01	97	#5	23'-0"	T1		0'-8"	21'-8"	0'-8"														
SA02	10	#5	14'-0"	T1		0'-8"	13'-5"	0'-8"														
SA03	3	#5	19'-0"	T1		0'-8"	18'-4"	0'-8"														
SA04	1	#5	4'-0"	T1		0'-8"	3'-5"	0'-8"														
SA05	1	#5	7'-11"	T1		0'-8"	6'-7"	0'-8"														
SA06	1	#5	11'-11"	T1		0'-8"	9'-9"	0'-8"														
SA07	1	#5	14'-4"	T1		0'-8"	13'-0"	0'-8"														
SA08	1	#5	17'-6"	T1		0'-8"	16'-2"	0'-8"														
SA09	1	#5	20'-8"	T1		0'-8"	19'-4"	0'-8"														
SA10	3	#5	11'-0"	T1		0'-8"	10'-5"	0'-8"														
SA11	10	#5	15'-0"	T1		0'-8"	13'-10"	0'-8"														
SA12	3	#5	27'-5"	T1		0'-8"	26'-1"	0'-8"														
SA13	3	#5	27'-5"	T1		0'-8"	26'-1"	0'-8"														
SA14	3	#5	9'-2"	T1		0'-8"	7'-10"	0'-8"														
SA15	3	#5	6'-8"	T1		0'-8"	5'-4"	0'-8"														
SA17	2	#5	30'-8"	T1		0'-8"	30'-0"	0'-8"														
SA18	2	#5	9'-9"	T1		0'-8"	9'-1"	0'-8"														
SA19	3	#5	28'-3"	T1		0'-8"	26'-11"	0'-8"														
SA25	1	#5	18'-0"	T1		0'-8"	17'-4"	0'-8"														
SA26	2	#5	15'-0"	T1		0'-8"	14'-5"	0'-8"														
SA29	7	#5	14'-5"	T1		0'-8"	13'-9"	0'-8"														
SA30	9	#5	16'-8"	T1		0'-8"	16'-0"	0'-8"														
SA31	7	#5	11'-11"	T1		0'-8"	11'-3"	0'-8"														
SA32	9	#5	15'-9"	T1		0'-8"	15'-1"	0'-8"														
SA33	2	#5	27'-3"	T1		0'-8"	26'-7"	0'-8"														
SA34	13	#5	33'-3"	T1		0'-8"	32'-7"	0'-8"														
SA35	2	#5	6'-2"	T1		0'-8"	5'-6"	0'-8"														

ALL BARS IN THIS DRAWING
 ASTM A615 GRADE 60
 BLACK UNCOATED

A/E PLEASE VERIFY COVER VALUE (TYP.)

LOCATION	MIN. COVER
SLAB	2" CLR
TOP & BOTTOM	3/4" CLR
END	2" CLR
BEAM (TIES. REINF.)	1 1/2" CLR

FOR SLAB & BEAM

SIZE	6000 PSI	
	OTHERS	TOP
#3	16"	23"
#4	21"	31"
#5	26"	38"
#6	31"	46"
#7	45"	67"
#8	51"	76"
#9	57"	86"
#10	64"	96"
#11	71"	107"

Abbreviations:
 IF=Inside Face
 OF=Outside Face
 EF=Each Face
 DWLS=Dowels
 V=Vertical
 H=Horizontal
 COR=Corner
 SLAB DWLS=Slab Dowels
 EW=Each Way
 B=Bottom
 T=Top
 M DWL= Masonry Dowel
 BB=Bond Beam
 ADDL=Additional
 INT=Intersection
 ES=Each Side

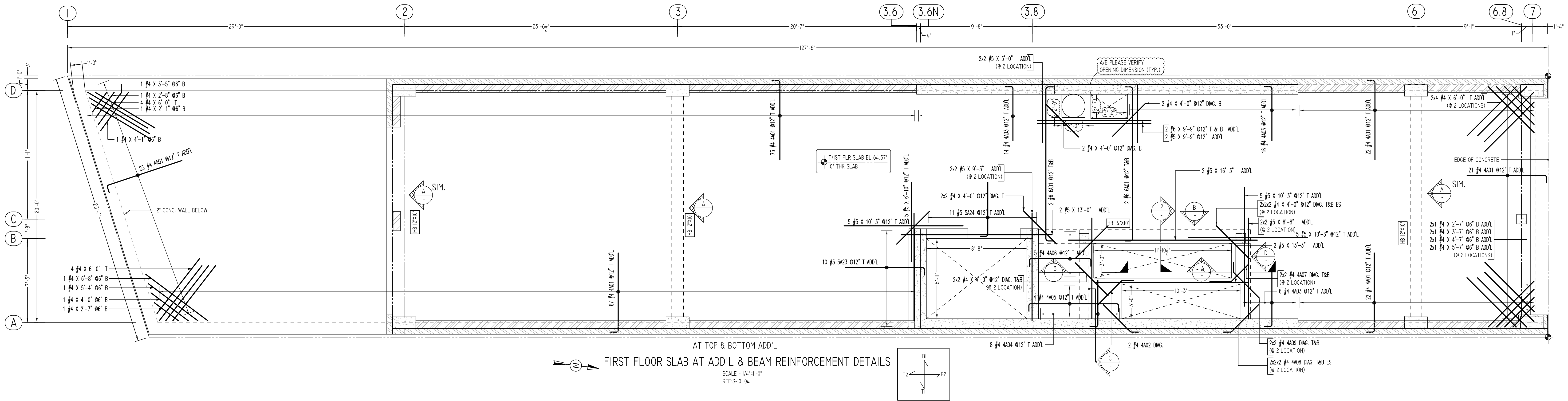
OPNG=Opening
 BAL=Balance
 BTW=Between
 CJ=Construction Joint
 CLR=CLEARANCE
 CMU= Concrete Masonry Unit
 CONT=Continuous
 ELEV=Elevation
 EMBED=Embedment
 JAMB = Jamb Bars
 (BL)=Black Bar
 (EP)=Epoxy Bar
 (GA)= Galvanized
 (TB)= Threaded Bar
 (CB)= Coupler Bar

NOTICE
 Shortages, improper fabrication or claims for any other reason must be reported to this company within a period of 15 days of delivery. This company reserves the right to field inspect prior to replacement or reconditioning of nonconforming material, and will not honor charges for work done in the field without specific authorization from this company.

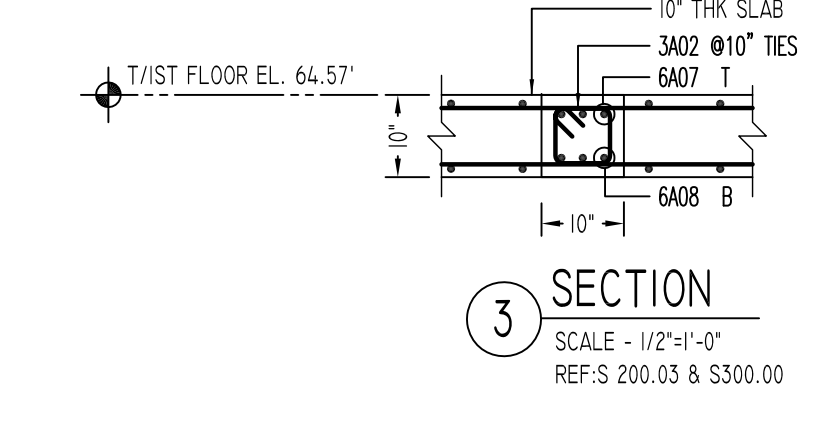
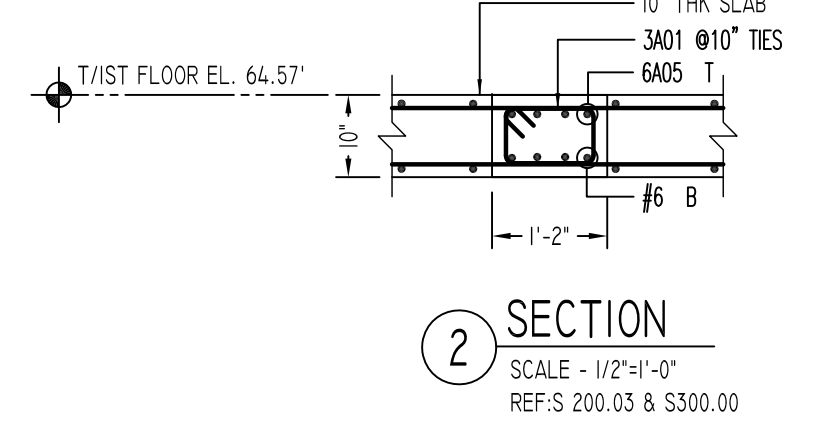
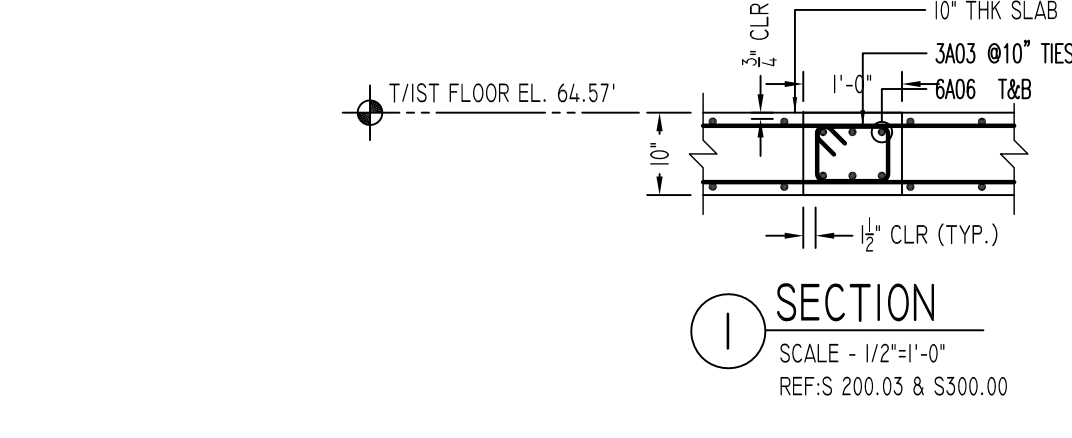
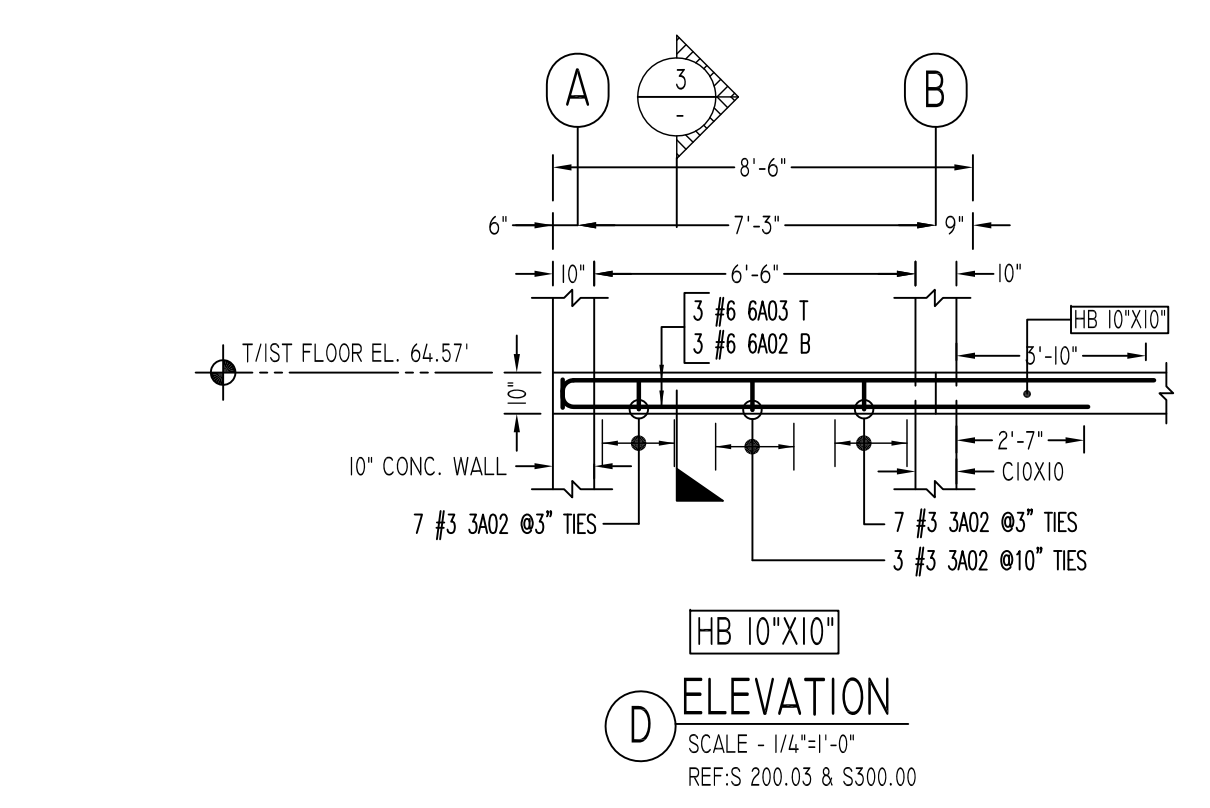
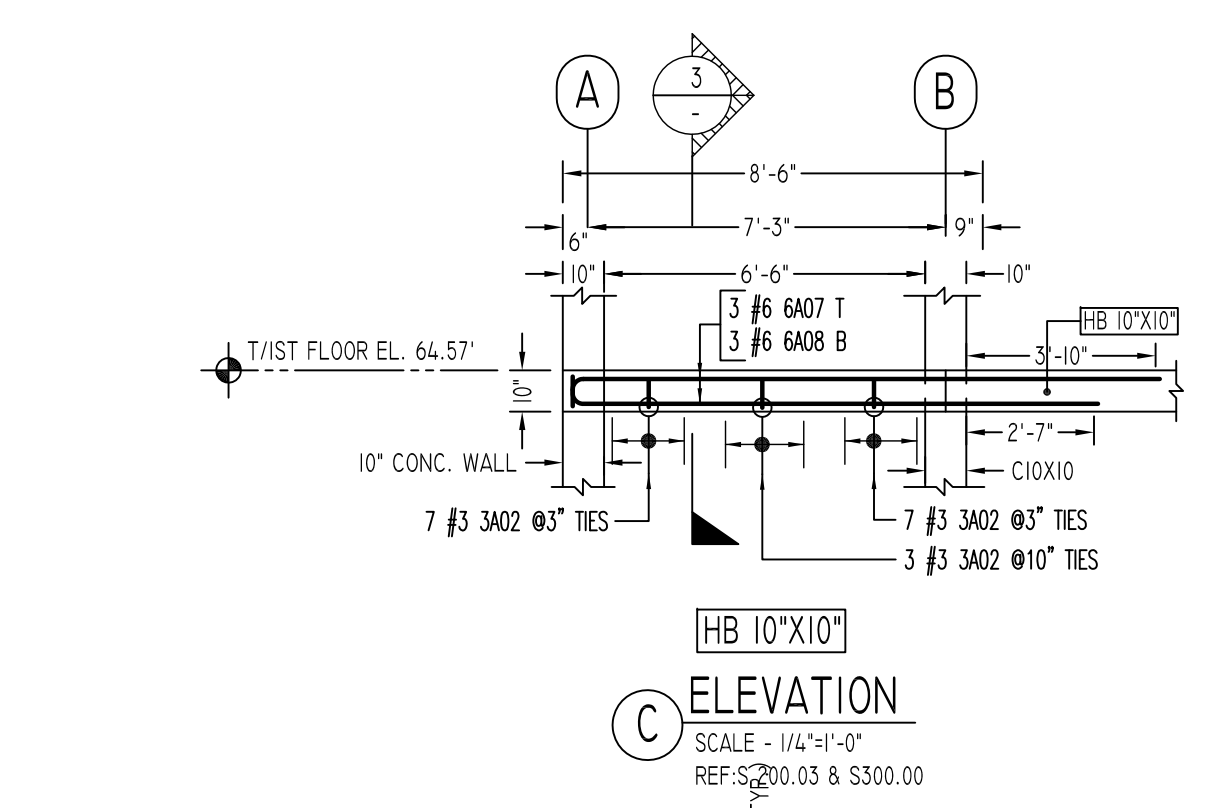
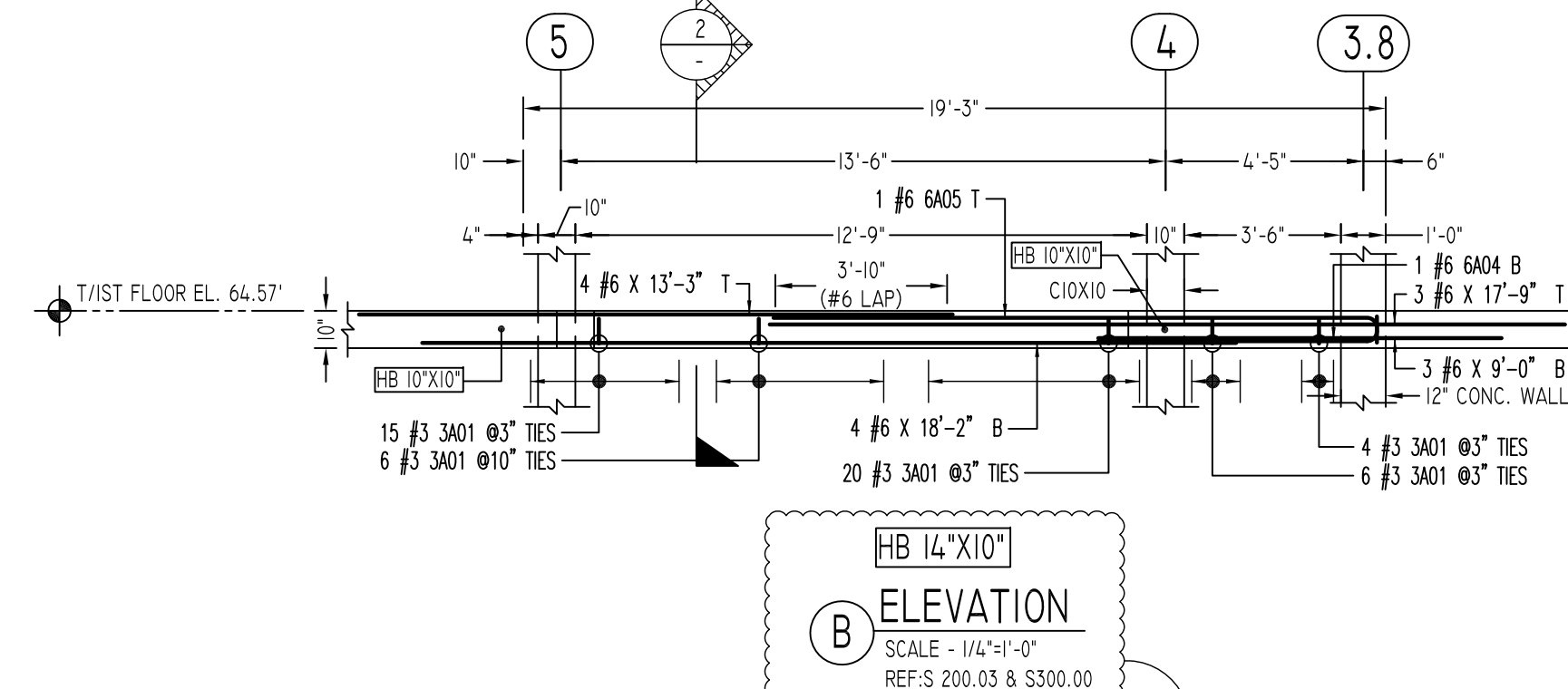
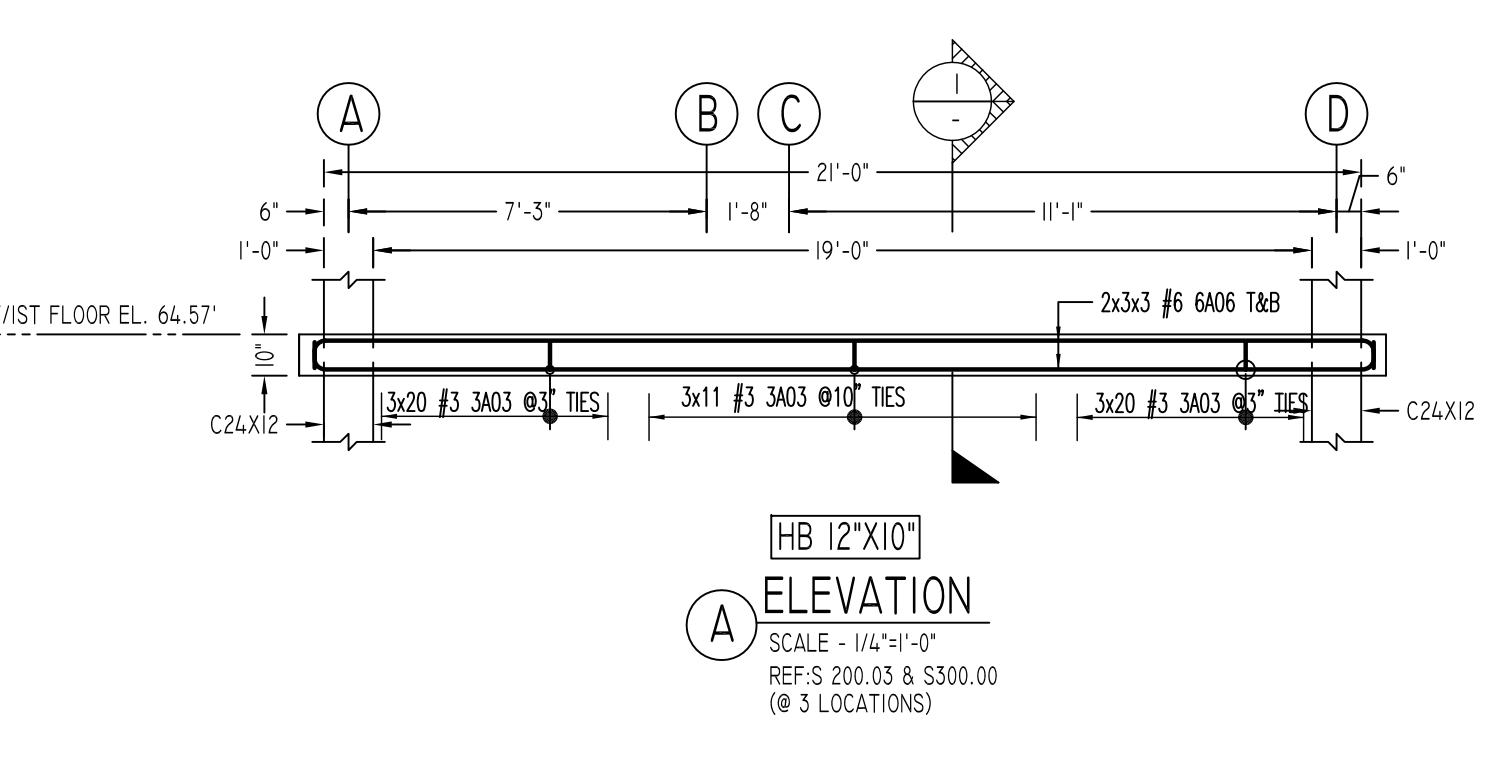
REINFORCING STEEL PLACING DRAWINGS ONLY USE IN CONJUNCTION WITH CONTRACT DRAWINGS & SPECIFICATIONS. ELEVATIONS & DIMENSIONS SHOWN ON THIS DRAWING ARE FOR DETAILING PURPOSES ONLY AND SHOULD NOT BE USED FOR CONSTRUCTION UNLESS VERIFIED BY ENGINEER OR CONTRACTOR.

REVISION MARK	REVISION DETAILS	DATE
0	FOR APPROVAL	01/22/2021

PROJECT	142.20 SANFORD AVE						
LOCATION	FLUSHING, NY 11355						
ARCHITECT	MICHAEL KANG ARCHITECT, PLLC						
ENGINEER	LMW ENGINEERING GROUP, LLC.						
CUSTOMER	BLUESTONE CONTRACTING						
DRAWN BY:	SKA/MRS	DATE:	01/22/21	REVIEWED BY:	T/L	JOB NO.:	21010
DRAWING TITLE:	FIRST FLOOR SLAB REINFORCEMENT DETAILS	DRAWING NO.:	RS-01A				



AT TOP & BOTTOM ADD'L
FIRST FLOOR SLAB AT ADD'L & BEAM REINFORCEMENT DETAILS
 SCALE - 1/4"=1'-0"
 REF: S-101.04



FOR SLAB & BEAM

SIZE	6000 PSI	
	OTHERS	TOP
#3	16"	23"
#4	21"	31"
#5	26"	38"
#6	31"	46"
#7	45"	67"
#8	51"	76"
#9	57"	86"
#10	64"	96"
#11	71"	107"

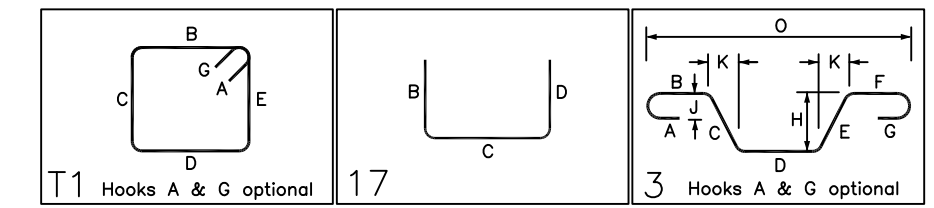
TYPICAL REINFORCING BAR CLEARANCE TABLE

LOCATION	MIN. COVER
SLAB TOP & BOTTOM	3/4" CLR
END	2" CLR
BEAM (TIES, REINF.)	1 1/2" CLR

**ALL BARS IN THIS DRAWING
 ASTM A615 GRADE 60
 BLACK UNCOATED**

Rebar Number: RS-018

Bar Mark	Qty	Size	Total Length	Type	BENDING DETAILS														
					X	Y	Z	T	V	W	U	R	Q	P	O				
3A01	51	#3	3'-8.8"	T1	0'-4.8"	0'-11"	0'-7"	0'-11"	0'-7"										
3A02	34	#3	3'-0.8"	T1	0'-4.8"	0'-7"	0'-7"	0'-7"	0'-7"										
3A03	153	#3	3'-4.8"	T1	0'-4.8"	0'-7"	0'-9"	0'-7"	0'-9"										
4A01	228	#4	7'-8"	T1			6'-10"												
4A02	2	#4	3'-11.8"	T1			1'-0"	2'-11.8"					2'-1"						
4A03	36	#4	5'-4"	T1			0'-8"	4'-8"					2'-1"						
4A04	8	#4	4'-8"	T1			0'-8"	4'-0"											
4A05	4	#4	9'-1"	T1			0'-8"	7'-9"	0'-8"										
4A06	5	#4	6'-8"	T1			0'-8"	5'-4"	0'-8"				1'-3"		1'-5"		3'-8"		
4A07	4	#4	3'-11.8"	T1			2'-2"	1'-9"											
4A08	8	#4	3'-11.8"	T1			0'-8"	3'-3"					2'-4"		2'-11.8"		2'-11.8"		
4A09	4	#4	4'-0"	T1			0'-10"	2'-2"					2'-3"		2'-2.8"		3'-0.8"		
5A23	10	#5	7'-8"	T1			0'-8"	6'-10"											
5A24	11	#5	5'-4"	T1			0'-8"	4'-8"	0'-8"										
6A01	4	#6	14'-8"	T1			0'-8"	13'-4"	0'-8"										
6A02	3	#6	11'-3"	T1			0'-7"	10'-8"											
6A03	3	#6	12'-7"	T1			0'-7"	12'-0"											
6A04	1	#6	6'-10"	T1			0'-7"	6'-5"											
6A05	1	#6	14'-1"	T1			0'-7"	13'-8"											
6A06	18	#6	22'-8"	T1			0'-7"	21'-8"	0'-7"										
6A07	3	#6	11'-3"	T1			0'-7"	10'-8"											
6A08	3	#6	12'-8"	T1			0'-7"	11'-11"											



Abbreviations:
 IF=Inside Face
 OF=Outside Face
 EF=Each Face
 DWLS=Dowels
 V=Vertical
 H=Horizontal
 COR=Corner
 SLAB DWLS=Slab Dowels
 EW=Each Way
 B=Bottom
 T=Top
 M DWL=Masonry Dowel
 BB=Bond Beam
 ADDL=Additional
 INT=Intersection
 ES=Each Side

OPNG=Opening
 BAL=Balance
 BTW=Between
 CJ=Construction Joint
 CLR=CLEARANCE
 CMU=Concrete Masonry Unit
 CONT=Continuous
 Elev=Elevation
 EMBED=Embedment
 JAMB=Jamb bars
 (BL)=Black Bar
 (EP)=Epoxy Bar
 (GA)=Galvanized
 (T)=Threaded Bar
 (CB)=Coupler Bar

NOTICE

Shortages, improper fabrication or claims for any other reason must be reported to this company within a period of 15 days of delivery. This company reserves the right to field inspect prior to replacement or reconditioning of nonconforming material, and will not honor charges for work done in the field without specific authorization from this company.

REINFORCING STEEL PLACING DRAWINGS ONLY USE IN CONJUNCTION WITH CONTRACT DRAWINGS & SPECIFICATIONS. ELEVATIONS & DIMENSIONS SHOWN ON THIS DRAWING ARE FOR DETAILING PURPOSES ONLY AND SHOULD NOT BE USED FOR CONSTRUCTION UNLESS VERIFIED BY ENGINEER OR CONTRACTOR.

REVISION MARK	REVISION DETAILS	DATE
0	FOR APPROVAL	01/22/2021

PROJECT	142.20 SANFORD AVE		
LOCATION	FLUSHING, NY 11355		
ARCHITECT	MICHAEL KANG ARCHITECT, PLLC		
ENGINEER	LMW ENGINEERING GROUP, LLC		
CUSTOMER	BLUESTONE CONTRACTING		
DRAWN BY:	DATE:	REVIEWED BY:	JOB NO.
SSA/MRS	01/22/21	T/L	21010
DRAWING TITLE:			DRAWING NO.:
FIRST FLOOR SLAB & BEAM REINFORCEMENT DETAILS			RS-01B