

DRILLED PIER REINFORCEMENT DETAILS

SCALE - 1/12"=1'-0"
REF: S0.1 & S5.1

TYPICAL REINFORCING BAR CLEARANCE TABLE

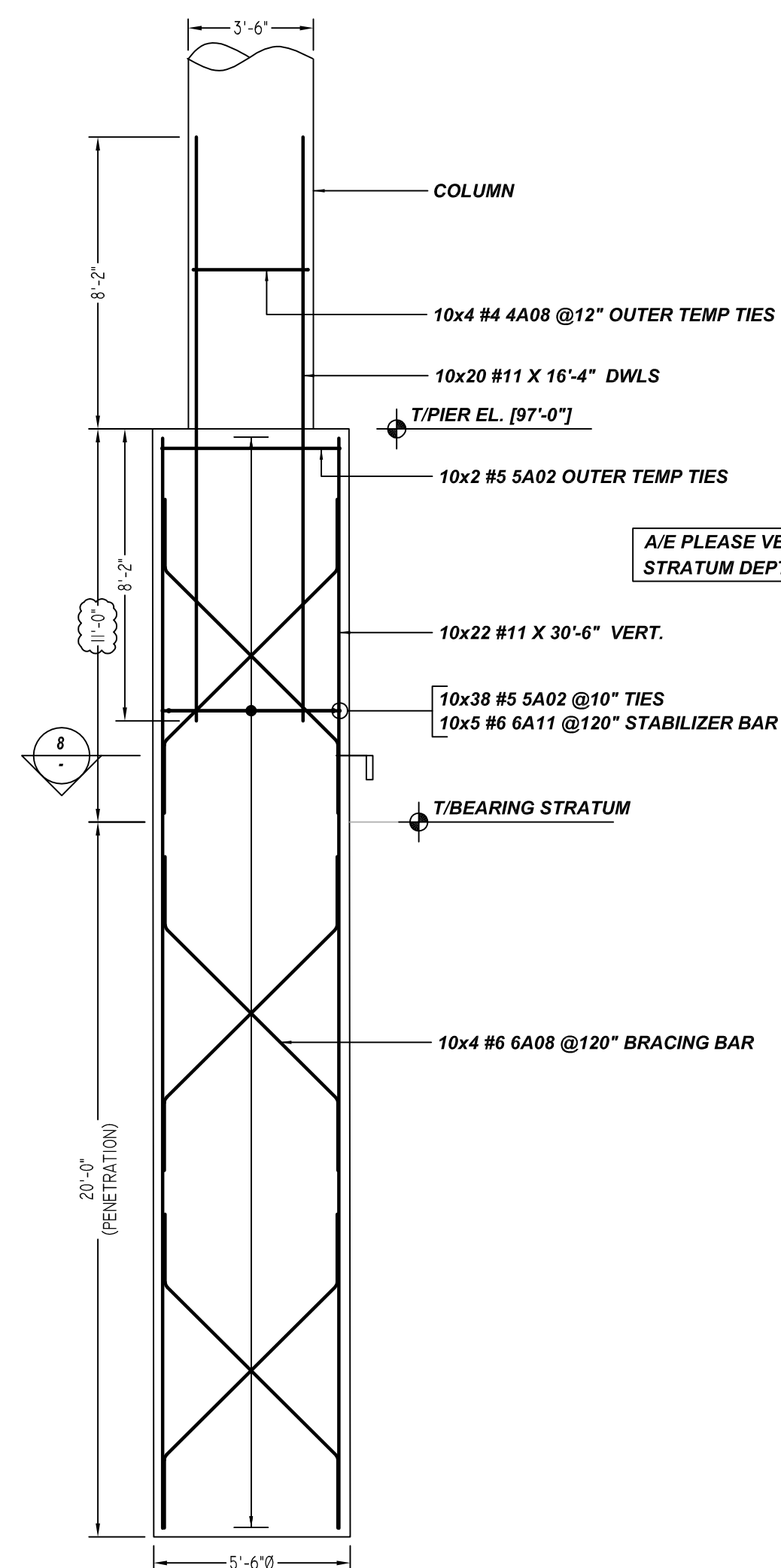
LOCATION	MIN. COVER
PIER	3" CLR
COLUMN	1 1/2" CLR

**PIER BARS IN THIS DRAWING
ASTM A615 GRADE 60 BLACK UNCOATED**

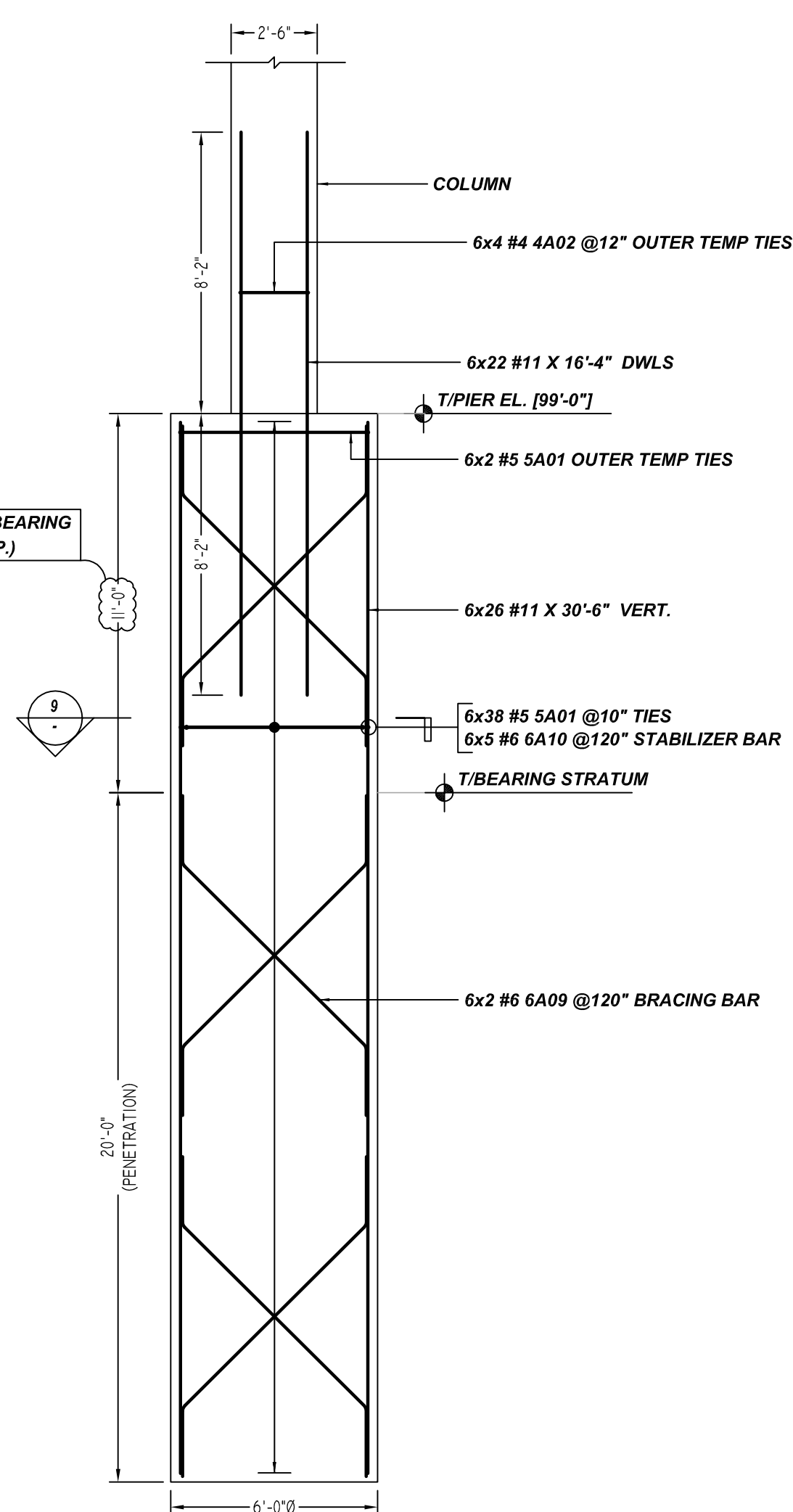
**COLUMN DOWEL BARS IN THIS DRAWING
ASTM A615 GRADE 75 BLACK UNCOATED**

THE PLACING DRAWING IS D'AMBRA'S INTERPRETATION OF THE CONTRACT DRAWINGS. IT IS NOT INTENDED AS A STANDALONE DOCUMENT AND MUST ALWAYS BE USED IN CONJUNCTION WITH THE CONTRACT DRAWINGS.

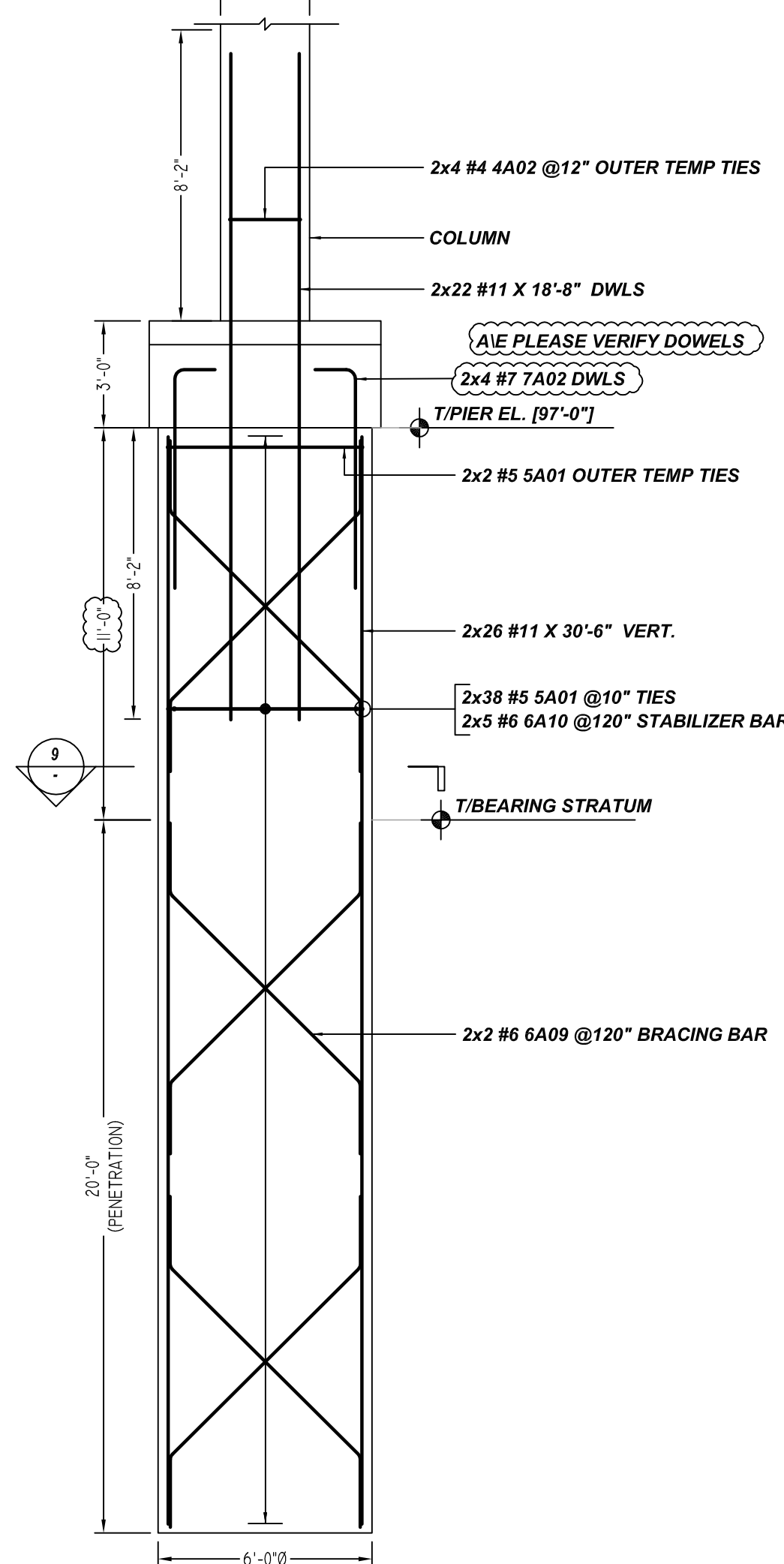
ISS.				SHEET TITLE:		
0	BCS	10/08/21	FOR APPROVAL	DRILLED PIER REINFORCEMENT DETAILS		
PROJECT:				GRANITE PARK VI		
LOCATION:				PLANO, TEXAS		
CUSTOMER:				AUSTIN COMMERCIAL		
ENGINEER:				L.A FUESS PARTNERS, INC.		
DETAILER:		JOB #	SHEET #			
BCS		21022	R1.001			



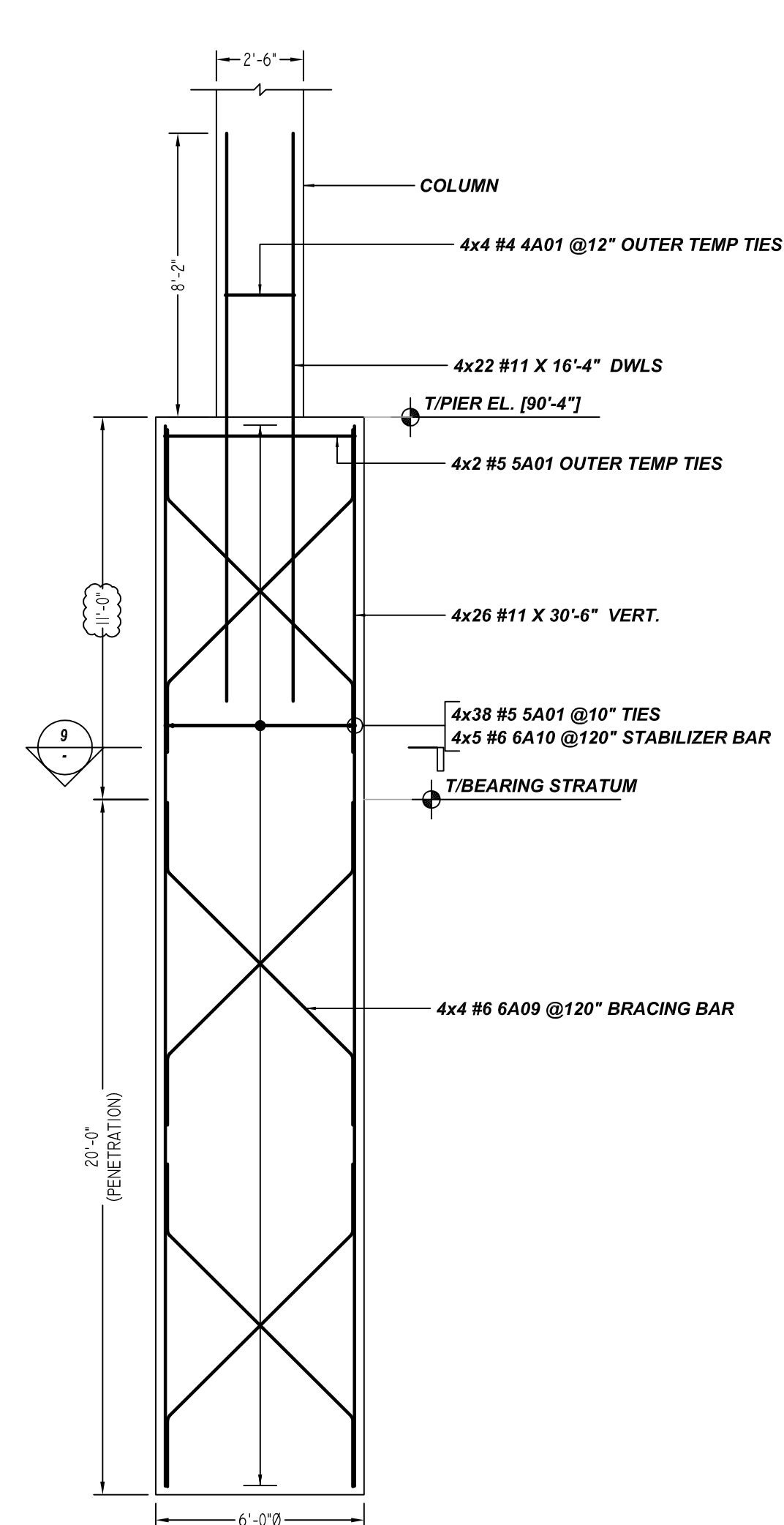
PIER P10(A)
SCALE - 1/4"=1'-0"
REF:REF:S3.01 TO S3.03
(10 LOCATIONS)



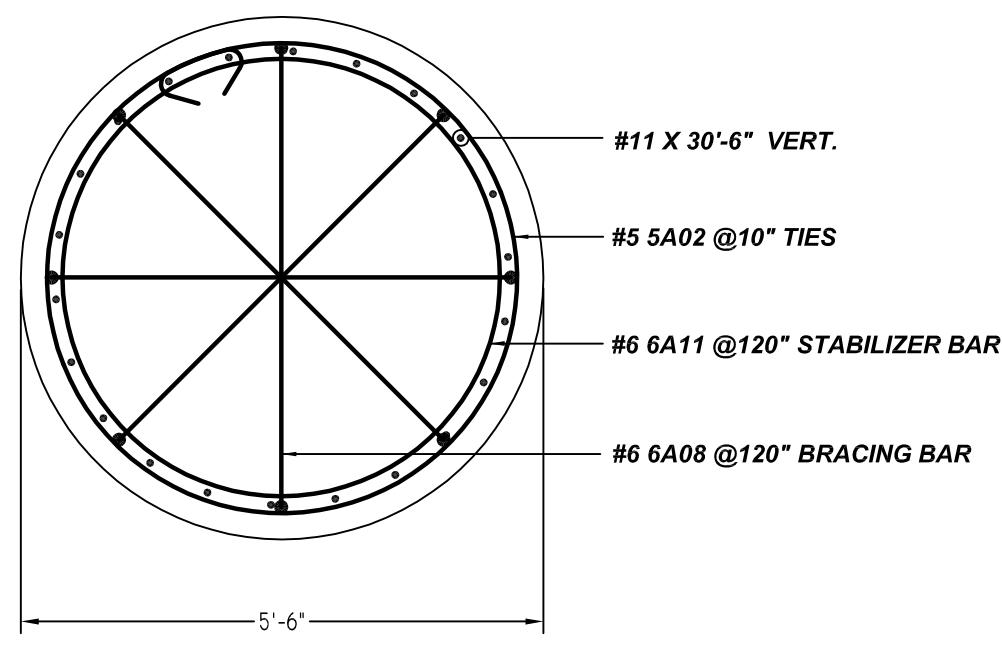
PIER P11
SCALE - 1/4"=1'-0"
REF:REF:S3.01 TO S3.03
(6 LOCATIONS)



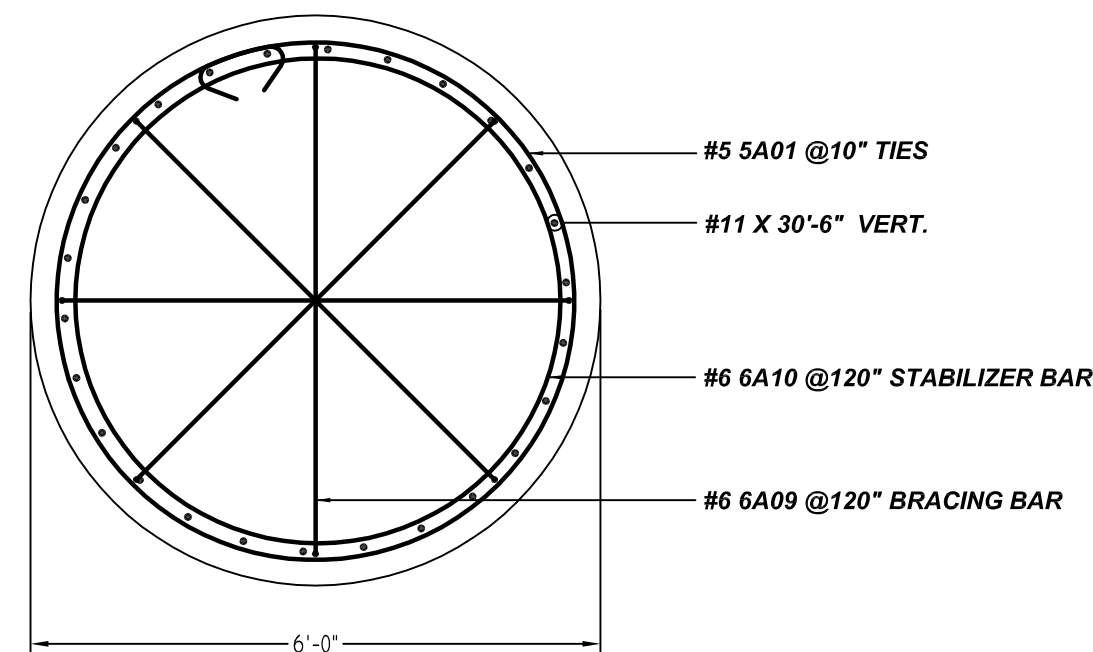
PIER P11(A)
SCALE - 1/4"=1'-0"
REF:REF:S3.01 TO S3.03
(2 LOCATIONS)



PIER P11(B)
SCALE - 1/4"=1'-0"
REF:REF:S3.01 TO S3.03
(4 LOCATIONS)

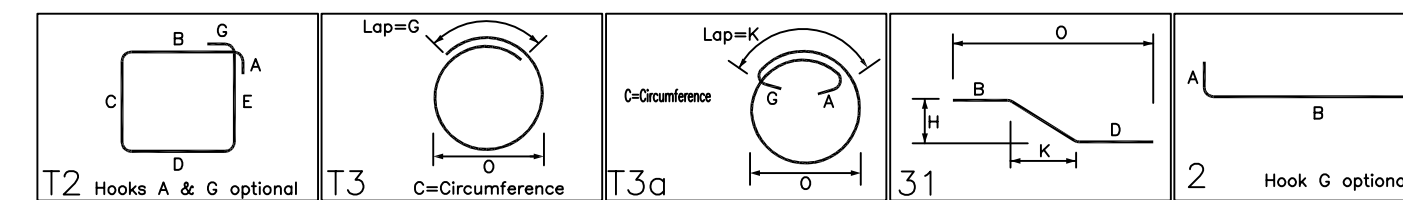


SECTION 8
SCALE - 1/2"=1'-0"
REF:2/S3.01



SECTION 9
SCALE - 1/2"=1'-0"
REF:2/S3.01

Bar Mark	Qty	Size	Label Length	Type	X'	Y'	Z'	U'	V'	W'	X''	Y''	Z''	U''	V''	W''
4A01	16	#4	11'-10"	T2	0'-4"	2'-0"	3'-6"	2'-0"	3'-6"	0'-4"						
4A02	32	#4	10'-10"	T2	0'-4"	2'-0"	3'-0"	2'-0"	3'-0"	0'-4"						
4A03	40	#4	12'-3"	T3			10'-2"			2'-1"					3'-3"	
5A01	400	#5	18'-2"	T3a	0'-5"		17'-3"			0'-5"				1'-0"	5'-4"	
5A02	400	#5	17'-3"	T3a	0'-5"		15'-8"			0'-5"				1'-0"	5'-0"	
6A08	120	#6	10'-10"	T3		2'-0"	6'-10"	2'-0"			4'-10"	4'-9"	6'-9"			
6A09	96	#6	11'-6"	T3		2'-0"	7'-6"	2'-0"			5'-4"	5'-3"	9'-3"			
6A10	60	#6	17'-9"	T3			16'-2"			1'-7"				5'-2"		
6A11	30	#6	18'-2"	T3			14'-7"			1'-7"				4'-8"		
TAC2	8	#7	7'-4"	Z	1'-2"	6'-2"										



LOCATION	MIN. COVER
PIER	3" CLR
COLUMN	1 1/2" CLR

PIER BARS IN THIS DRAWING
ASTM A615 GRADE 60 BLACK UNCOATED

COLUMN DWEL BARS IN THIS DRAWING
ASTM A615 GRADE 75 BLACK UNCOATED

THE PLACING DRAWING IS D'AMBRA'S INTERPRETATION OF THE CONTRACT DRAWINGS. IT IS NOT INTENDED AS A STANDALONE DOCUMENT AND MUST ALWAYS BE USED IN CONJUNCTION WITH THE CONTRACT DRAWINGS.

SHEET TITLE:			
DRILLED PIER REINFORCEMENT DETAILS			
PROJECT: GRANITE PARK VI			
LOCATION: PLANO, TEXAS			
CUSTOMER: AUSTIN COMMERCIAL			
ENGINEER: L.A FUESS PARTNERS, INC.			
DETAILER: BCS		JOB # 21022	SHEET # R1.004

ISS.	BY.	DATE	DESCRIPTION
0	BCS	10/08/21	FOR APPROVAL