

OFFICE - COLUMN REINFORCEMENT DETAILS

SCALE - 1/12"=1'-0"
REF: S2.01, S3.02 & S3.03

TYPICAL REINFORCING BAR CLEARANCE TABLE	
LOCATION	MIN. COVER
COLUMN (ALL SIDES)	1 1/2" CLR

**TIES IN THIS DRAWING
ASTM A615 GRADE 60 BLACK UNCOATED**

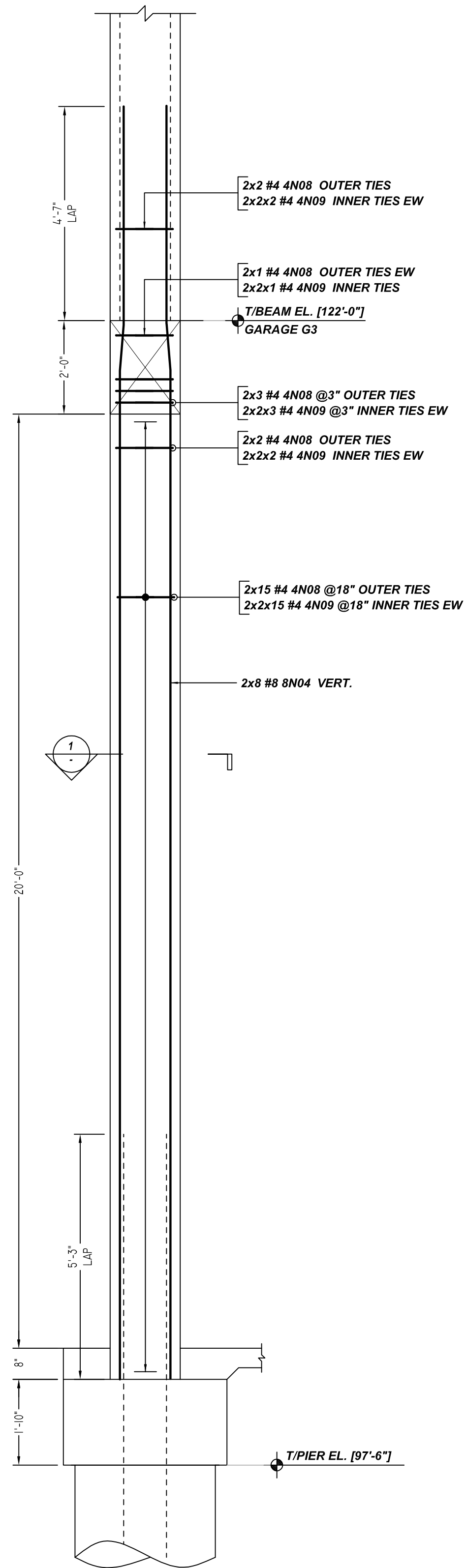
**COLUMN VERTICAL BARS IN THIS DRAWING
ASTM A615 GRADE 75 BLACK UNCOATED**

GRADE 75 LAP SCHEDULE	
SIZE	8000 PSI
#7	48"
#8	55"
#9	62"
#10	70"
#11	77"

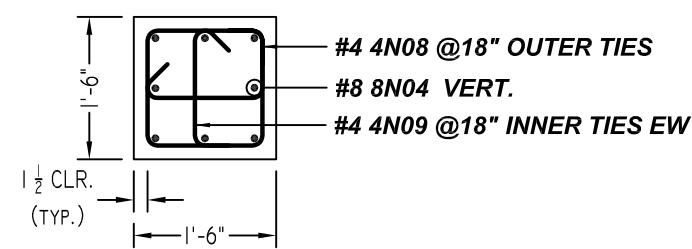
A/E PLEASE VERIFY
LAP VALUE

THE PLACING DRAWING IS D'AMBRA'S INTERPRETATION OF THE CONTRACT DRAWINGS. IT IS NOT INTENDED AS A STANDALONE DOCUMENT AND MUST ALWAYS BE USED IN CONJUNCTION WITH THE CONTRACT DRAWINGS.

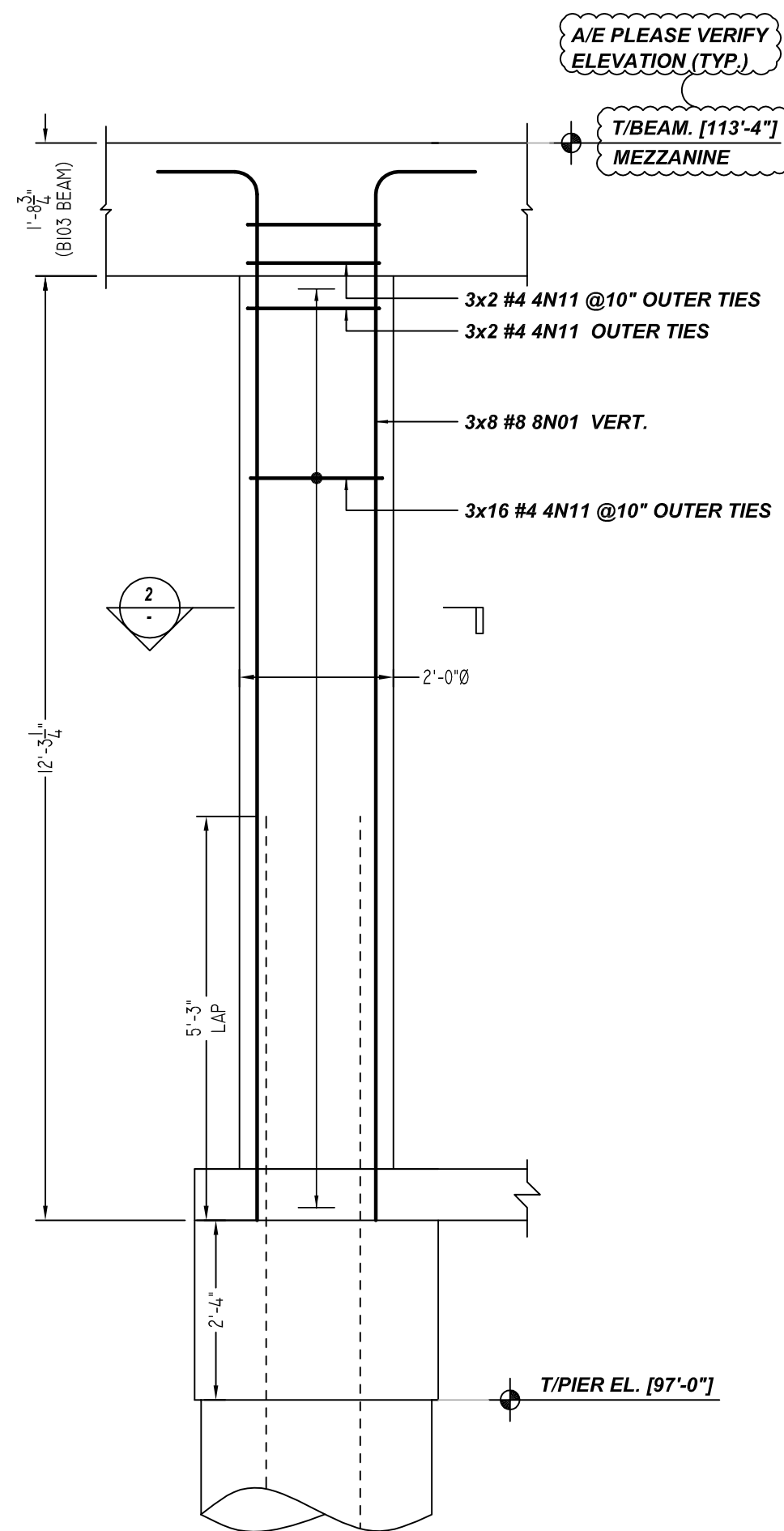
ISS.				SHEET TITLE:		
0	BCS	10/29/21	FOR APPROVAL	OFFICE - COLUMN REINFORCEMENT DETAILS		
PROJECT:				GRANITE PARK VI		
LOCATION:				PLANO, TEXAS		
CUSTOMER:				AUSTIN COMMERCIAL		
ENGINEER:				L.A FUESS PARTNERS, INC.		
DETAILER:		JOB #	SHEET #			
BCS		21022	R10.001			



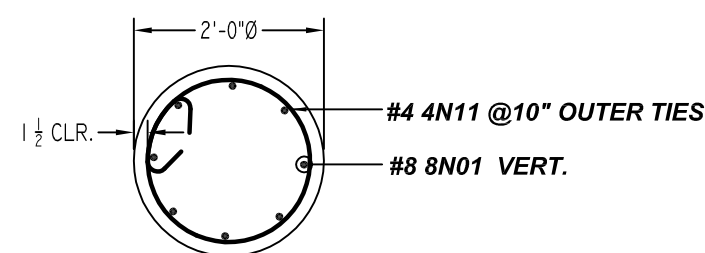
(@ GRID - C.6/G2.1 & @ GRID - C.6/G2.4)
(2 LOCATIONS)
SIZE: 18" x 18"
COLUMN C1
SCALE - 1/2"=1'-0"
REF: S2.01, S2.01.5, S2.01.6 & S3.02



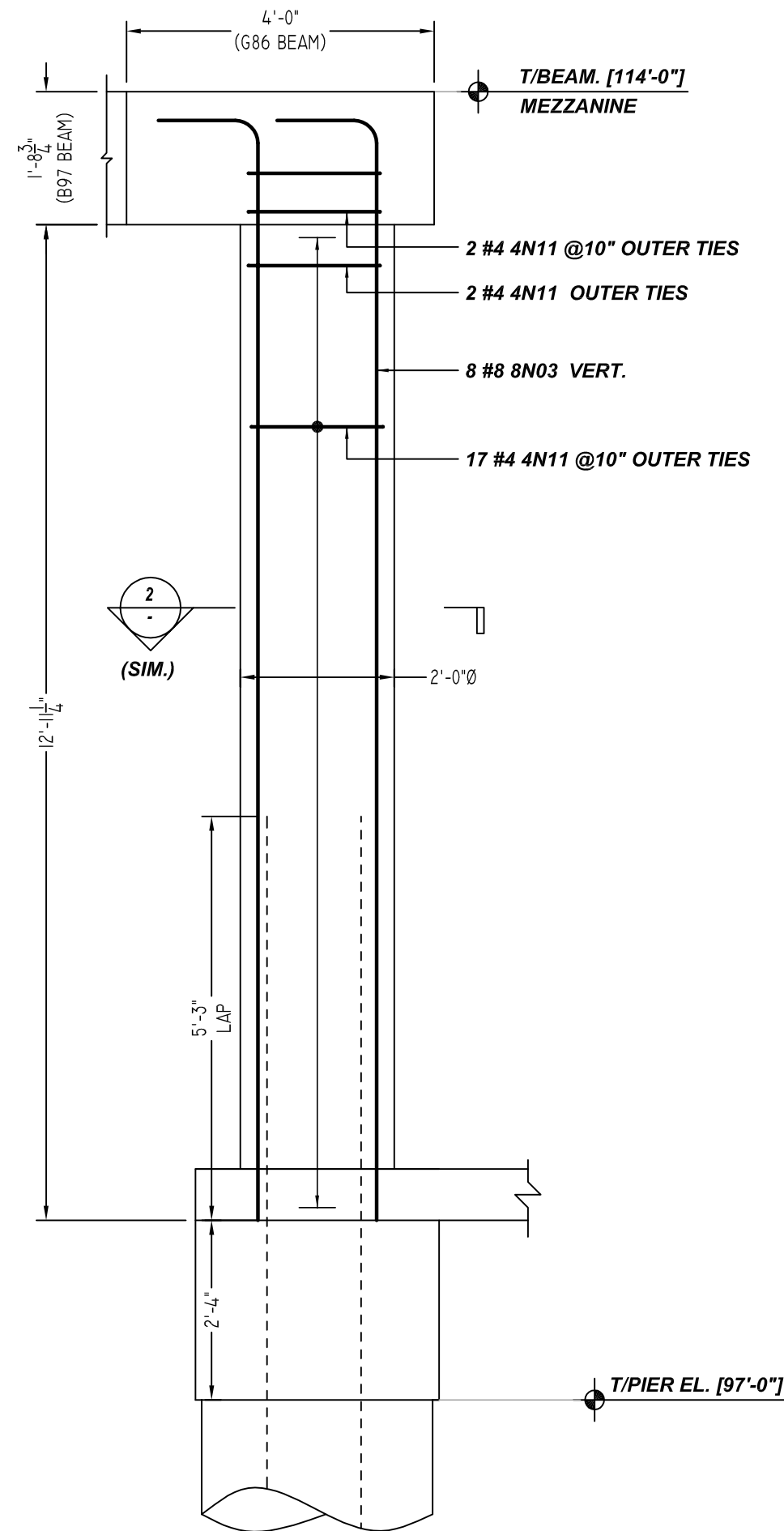
SECTION 1
SCALE - 1/2"=1'-0"
REF: 7/S3.03



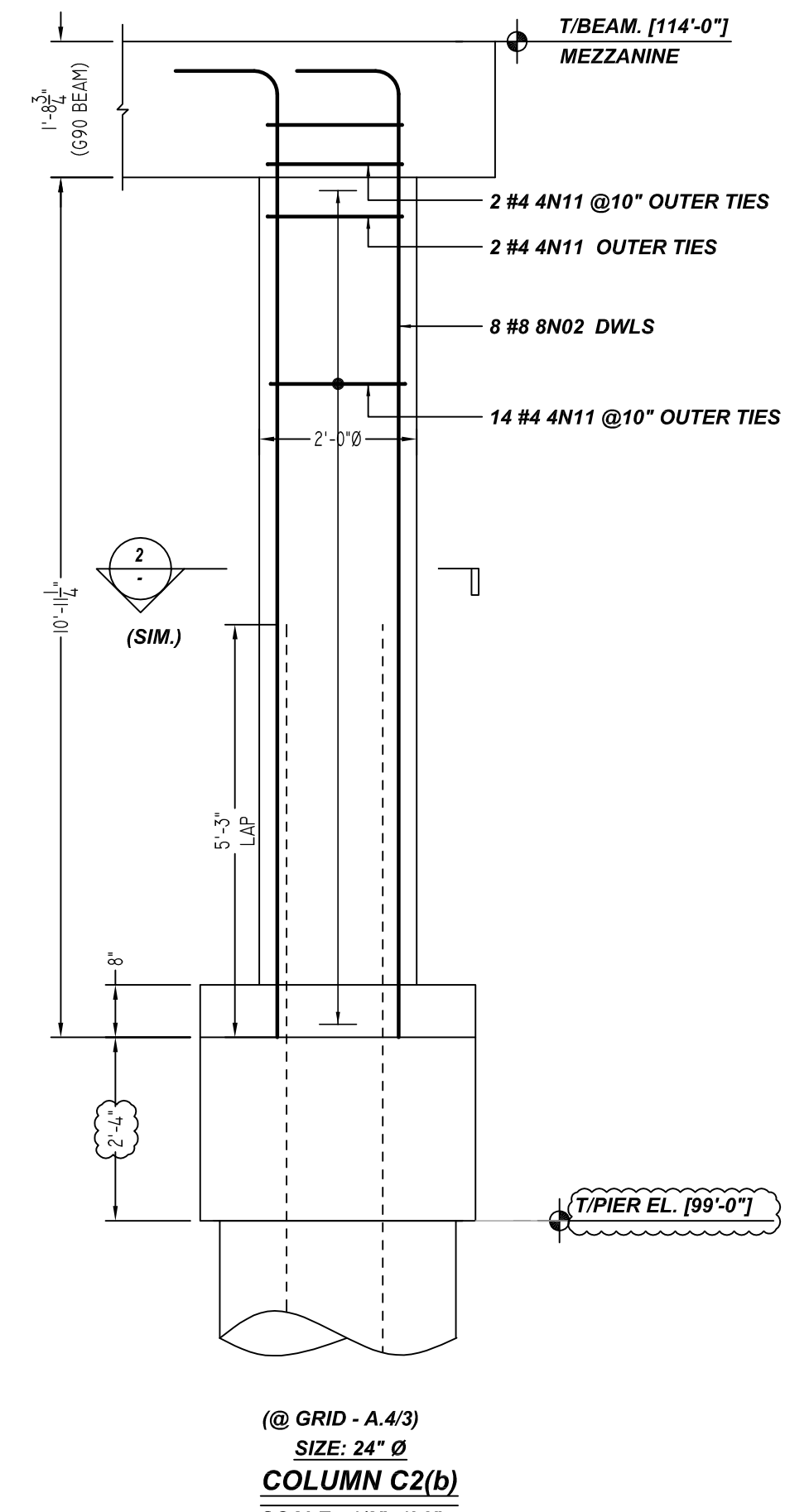
(@ GRID - D/0.4, C.3/0.3 @ GRID - B.3/0.2)
(3 LOCATIONS)
SIZE: 24" Ø
COLUMN C2
SCALE - 1/2"=1'-0"
REF: S2.01, S2.01.5, S2.01.6 & S3.02



SECTION 2
SCALE - 1/2"=1'-0"
REF: -

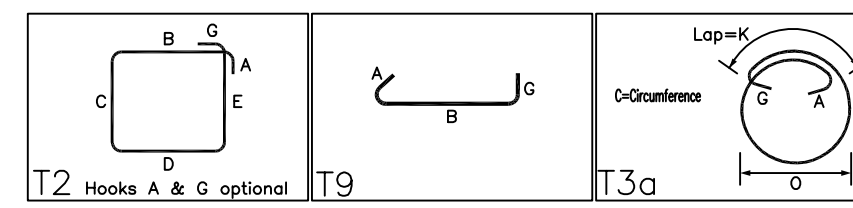


(@ GRID - B/1.5)
SIZE: 24" Ø
COLUMN C2(a)
SCALE - 1/2"=1'-0"
REF: S2.01, S2.01.5, S2.01.6 & S3.02



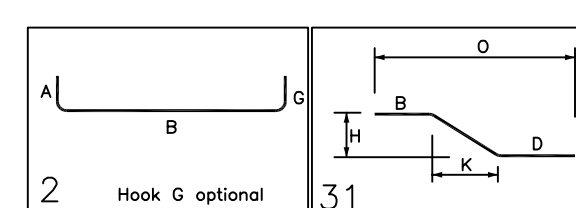
Release Number: R10.002(60) GRADE 60

Bar Mark	Qty	Size	Total Length	Type	X'	Y'	Z'	X''	Y''	Z''	X'''	Y'''	Z'''
4N08	46	#4	5'-9"	T2	0'-4 1/2"	1'-3"	1'-3"	0'-4 1/2"					
4N09	92	#4	2'-0"	T9	0'-4 1/2"	1'-3"		0'-4 1/2"					
4N11	99	#4	7'-3 1/2"	T3a	0'-4 1/2"		5'-5 1/2"				1'-0"	1'-0"	



Release Number: R10.002(75) GRADE 75

Bar Mark	Qty	Size	Total Length	Type	X'	Y'	Z'	X''	Y''	Z''	X'''	Y'''	Z'''
8N01	24	#8	15'-0"	2	1'-4"	13'-8"							
8N02	8	#8	15'-0"	2	1'-4"	12'-4"							
8N03	8	#8	15'-0"	2	1'-4"	14'-4"							
8N04	16	#8	27'-3"	31	4'-0"	1'-0"	21'-7"			0'-2"	1'-0"	27'-3"	



TYPICAL REINFORCING BAR CLEARANCE TABLE

LOCATION	MIN. COVER
COLUMN (ALL SIDES)	1 1/2" CLR

TIES IN THIS DRAWING
ASTM A615 GRADE 60 BLACK UNCOATED

COLUMN VERTICAL BARS IN THIS DRAWING
ASTM A615 GRADE 75 BLACK UNCOATED

FOR COLUMN GRADE 75 LAP SCHEDULE

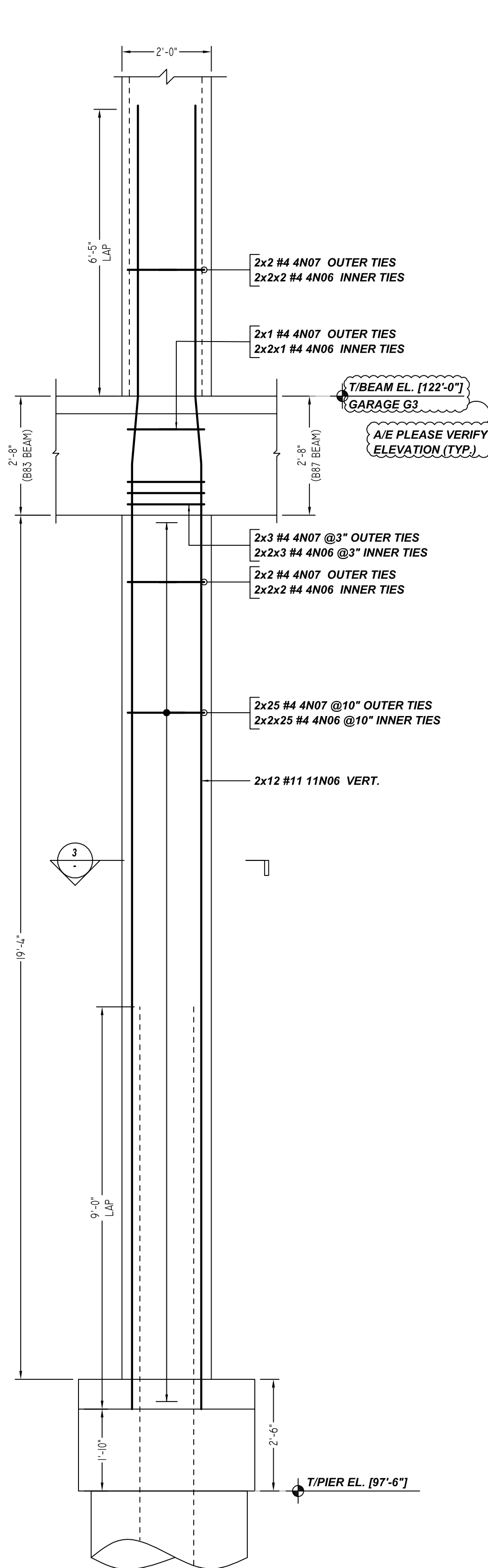
SIZE	8000 PSI
#7	48"
#8	55"
#9	62"
#10	70"
#11	77"

A/E PLEASE VERIFY LAP VALUE

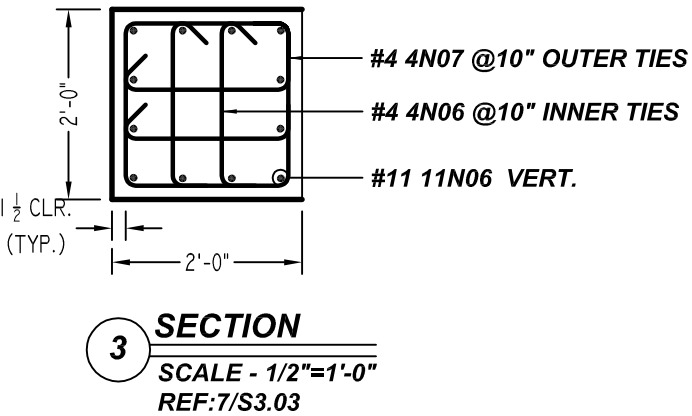
THE PLACING DRAWING IS D'AMBRA'S INTERPRETATION OF THE CONTRACT DRAWINGS. IT IS NOT INTENDED AS A STANDALONE DOCUMENT AND MUST ALWAYS BE USED IN CONJUNCTION WITH THE CONTRACT DRAWINGS.

ISS.	BY.	DATE	DESCRIPTION
0	BCS	10/29/21	FOR APPROVAL

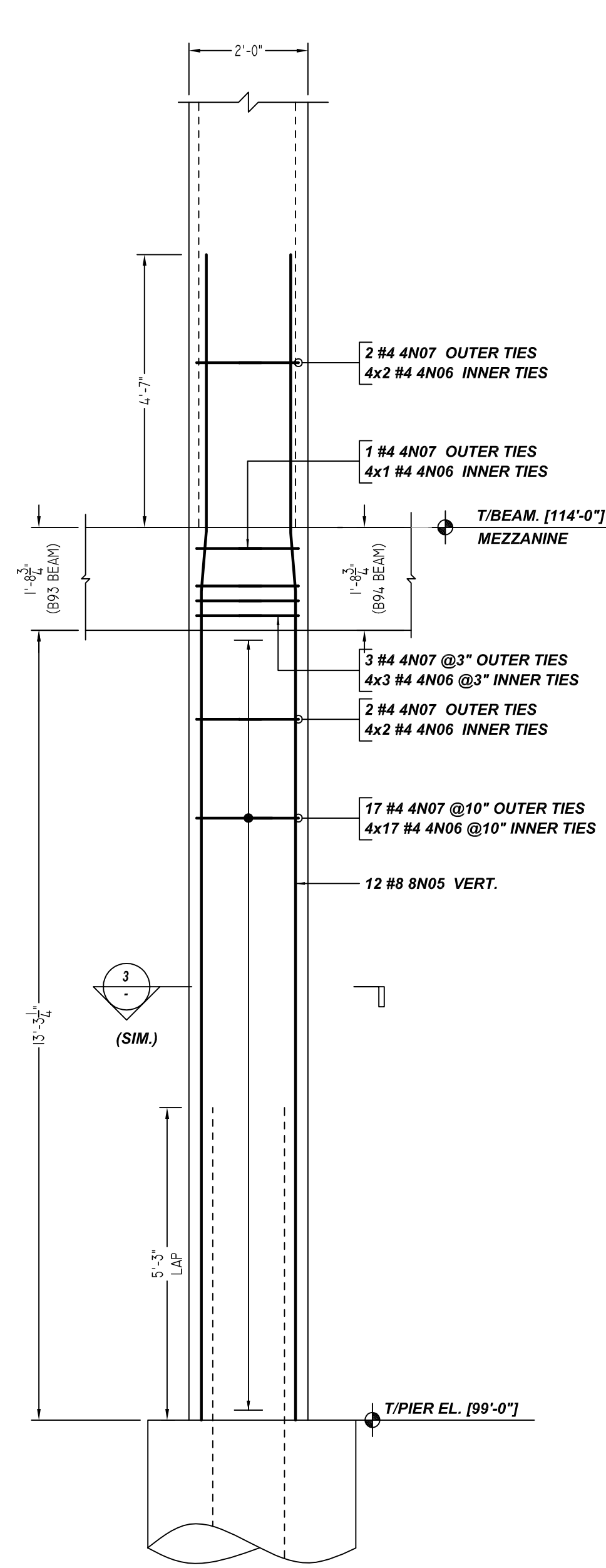
SHEET TITLE: OFFICE - COLUMN REINFORCEMENT DETAILS	
PROJECT: GRANITE PARK VI	
LOCATION: PLANO, TEXAS	
CUSTOMER: AUSTIN COMMERCIAL	
ENGINEER: L.A FUESS PARTNERS, INC.	
DETAILER: BCS	JOB # 21022
SHEET # R10.002	



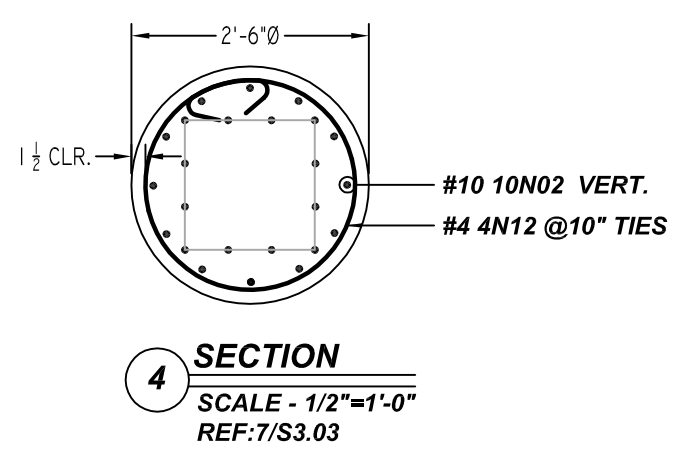
(@ GRID-D.1/G2.1 & @ GRID-D.1/G2.4)
(2 LOCATIONS)
SIZE: 24" x 24"
COLUMN C3
SCALE - 1/2"=1'-0"
REF: S2.01, S2.01.5, S2.01.6 & S3.02



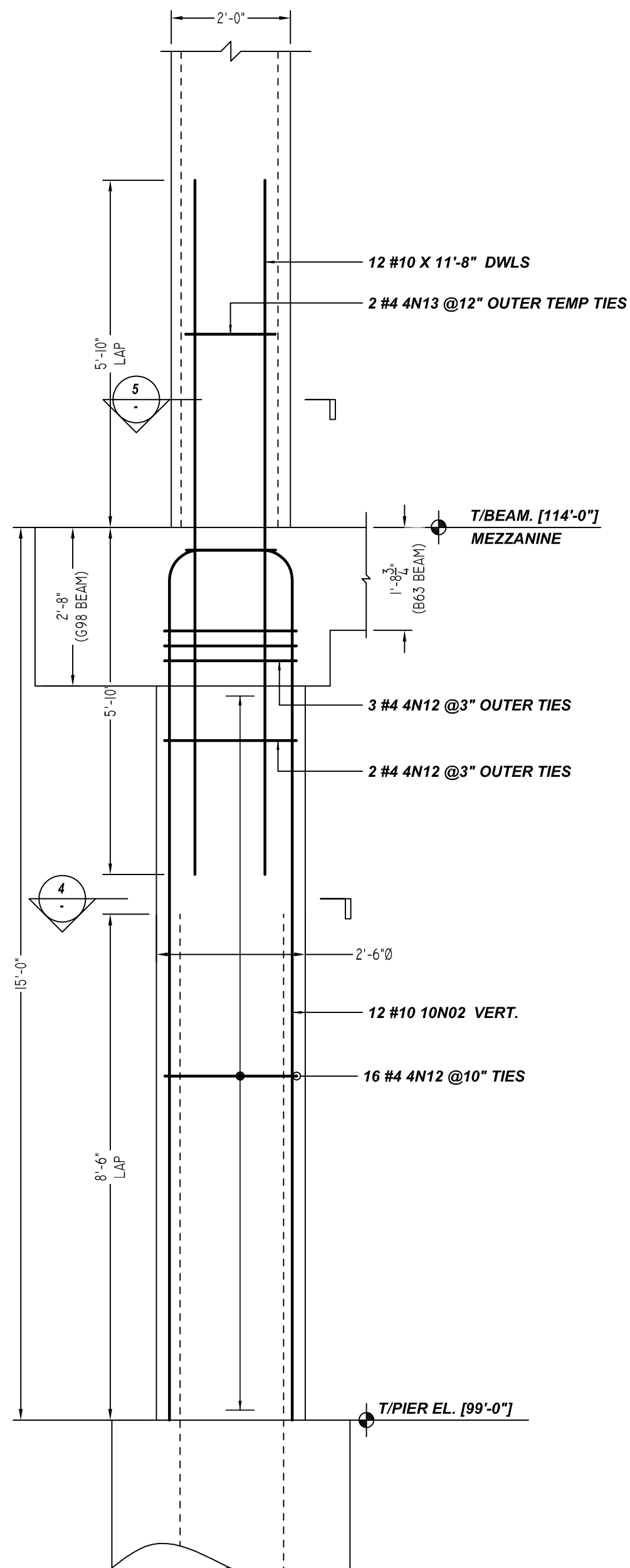
3 SECTION
SCALE - 1/2"=1'-0"
REF: 7/S3.03



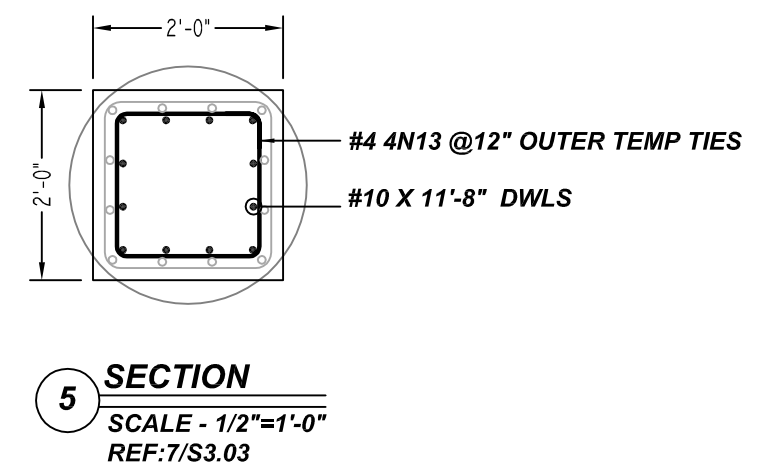
(@ GRID-B/2.4)
SIZE: 24" x 24"
COLUMN C3(a)
SCALE - 1/2"=1'-0"
REF: S2.01, S2.01.5, S2.01.6 & S3.02



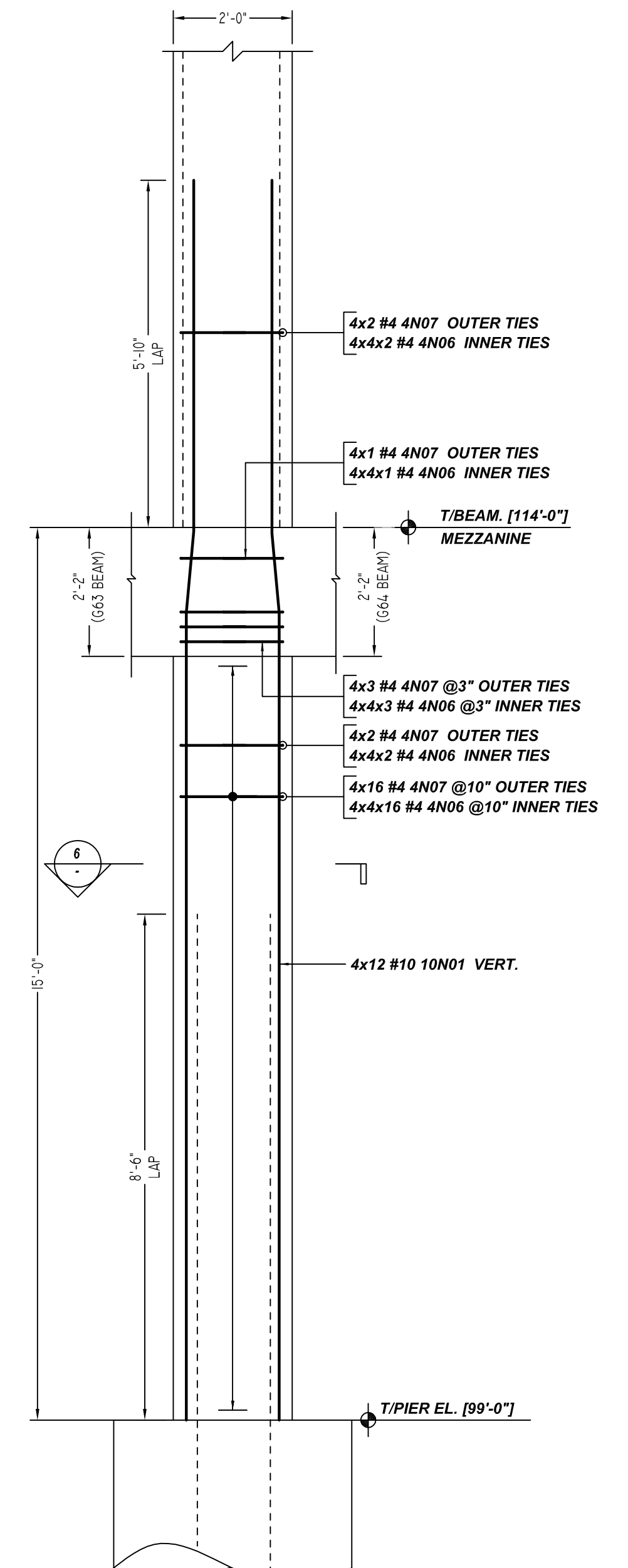
4 SECTION
SCALE - 1/2"=1'-0"
REF: 7/S3.03



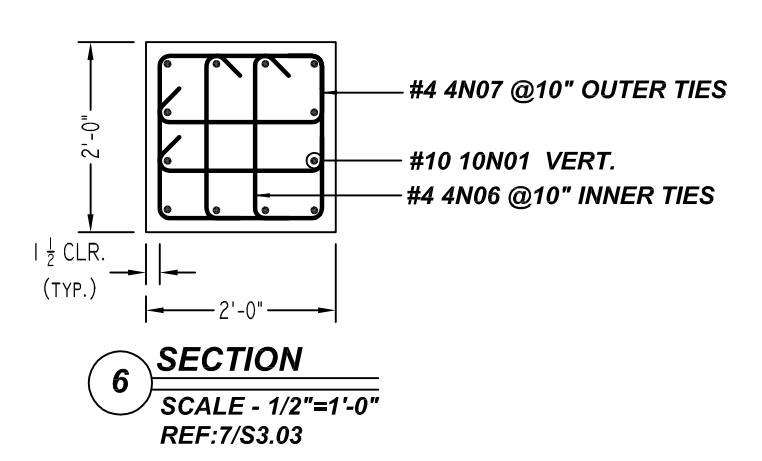
(@ GRID-C.3/1)
SIZE: 30" x 30"
COLUMN C4
SCALE - 1/2"=1'-0"
REF: S2.01, S2.01.5, S2.01.6 & S3.02



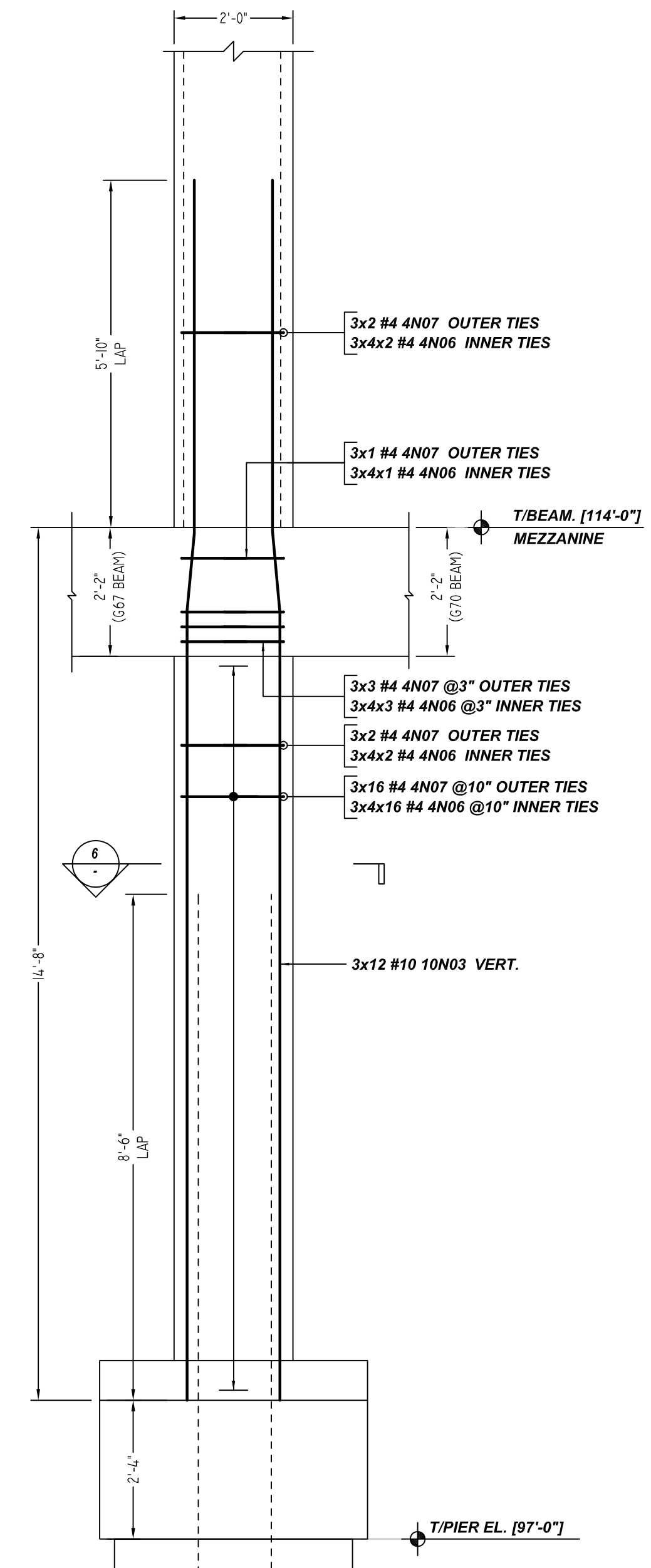
5 SECTION
SCALE - 1/2"=1'-0"
REF: 7/S3.03



(@ GRID-C.3/2,5,6&7)
(4 LOCATIONS)
SIZE: 24" x 24"
COLUMN C4(a)
SCALE - 1/2"=1'-0"
REF: S2.01, S2.01.5, S2.01.6 & S3.02

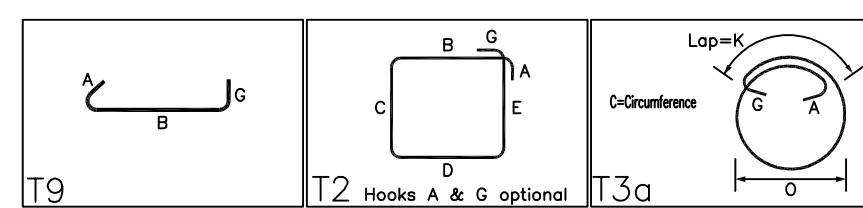


6 SECTION
SCALE - 1/2"=1'-0"
REF: 7/S3.03

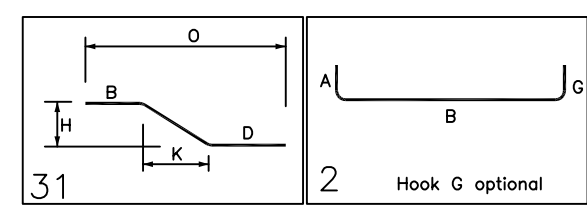


(@ GRID-C.3/3,4&8)
(3 LOCATIONS)
SIZE: 24" x 24"
COLUMN C4(b)
SCALE - 1/2"=1'-0"
REF: S2.01, S2.01.5, S2.01.6 & S3.02

Bar Mark	Qty	Size	Total Length	Type	X	Y	Z	W	V	U	T	S	R	Q	P	O	N	M	L	K	J	I	H	G	F	E	D	C	B	A
4N07	304	#4	2'-0"	T9	0'-4 X	1'-0"																								
4N12	21	#4	8'-9 X	T3a	0'-4 X	1'-0"																								
4N13	2	#4	6'-11"	T2	0'-4 X	1'-0"																								



Bar Mark	Qty	Size	Total Length	Type	X	Y	Z	W	V	U	T	S	R	Q	P	O	N	M	L	K	J	I	H	G	F	E	D	C	B	A
8N25	12	#8	19'-7"	T3	4'-8"	1'-0"																								
10N01	48	#10	20'-10 X	T3	5'-11"	1'-4 X																								
10N02	12	#10	16'-6"	T2	1'-10"	14'-8"																								
10N03	36	#10	20'-6 X	T3	5'-11"	1'-4 X																								
11N06	24	#11	29'-2 X	T3	6'-6"	1'-6 X																								



LOCATION	MIN. COVER
COLUMN (ALL SIDES)	1 1/2" CLR

TIES IN THIS DRAWING
ASTM A615 GRADE 60 BLACK UNCOATED

COLUMN VERTICAL BARS IN THIS DRAWING
ASTM A615 GRADE 75 BLACK UNCOATED

FOR COLUMN
GRADE 75
LAP SCHEDULE

SIZE	8000 PSI
#7	48"
#8	55"
#9	62"
#10	70"
#11	77"

THE PLACING DRAWING IS D'AMBRA'S INTERPRETATION OF THE CONTRACT DRAWINGS. IT IS NOT INTENDED AS A STANDALONE DOCUMENT AND MUST ALWAYS BE USED IN CONJUNCTION WITH THE CONTRACT DRAWINGS.

SHEET TITLE:			
OFFICE - COLUMN REINFORCEMENT DETAILS			
PROJECT: GRANITE PARK VI			
LOCATION: PLANO, TEXAS			
CUSTOMER: AUSTIN COMMERCIAL			
ENGINEER: L.A FUESS PARTNERS, INC.			
DETAILER: BCS		JOB # 21022	SHEET # R10.003

ISS.	BY.	DATE	DESCRIPTION
0	BCS	10/29/21	FOR APPROVAL

