

PIER CAP REINFORCEMENT DETAILS

SCALE - 1/12"=1'-0"
REF: S0.1 & S2.01

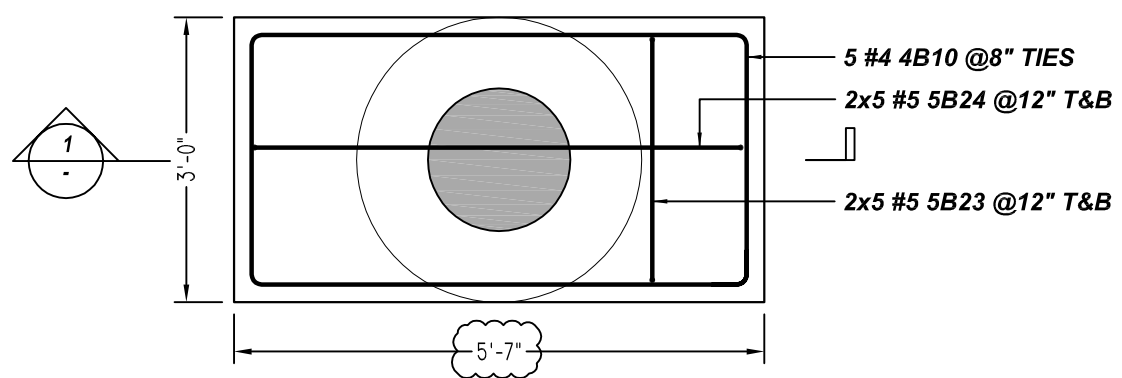
TYPICAL REINFORCING BAR CLEARANCE TABLE

LOCATION	MIN. COVER
PIER CAP SIDE & TOP	2" CLR
PIER CAP BOTTOM	3" CLR

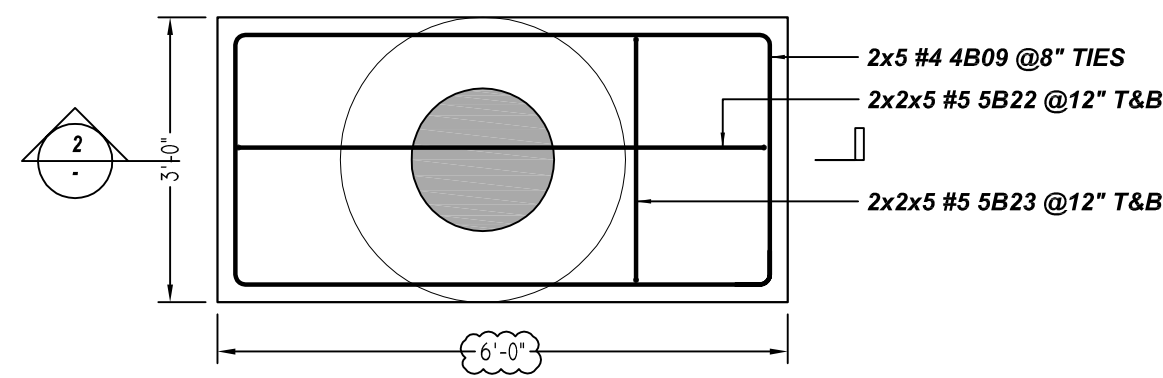
**ALL BARS IN THIS DRAWING
ASTM A615 GRADE 60
BLACK UNCOATED**

THE PLACING DRAWING IS D'AMBRA'S INTERPRETATION OF THE CONTRACT DRAWINGS. IT IS NOT INTENDED AS A STANDALONE DOCUMENT AND MUST ALWAYS BE USED IN CONJUNCTION WITH THE CONTRACT DRAWINGS.

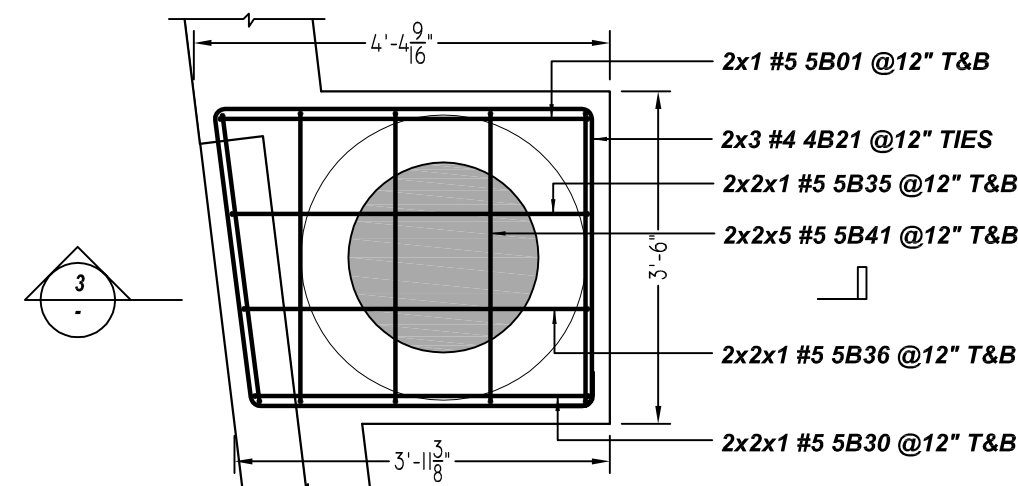
				SHEET TITLE: PIER CAP REINFORCEMENT DETAILS		
				PROJECT: GRANITE PARK VI		
				LOCATION: PLANO, TEXAS		
				CUSTOMER: AUSTIN COMMERCIAL		
				ENGINEER: L.A FUESS PARTNERS, INC.		
				DETAILER: BCS		JOB # 21022
ISS.	BY.	DATE	DESCRIPTION			
0	BCS	10/15/21	FOR APPROVAL			



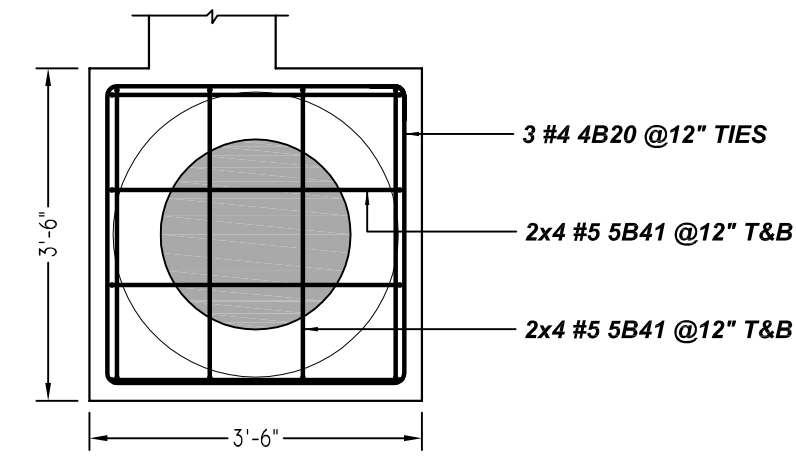
PIER CAP-PC1
SCALE - 1/2"=1'-0"
REF:19/S3.07



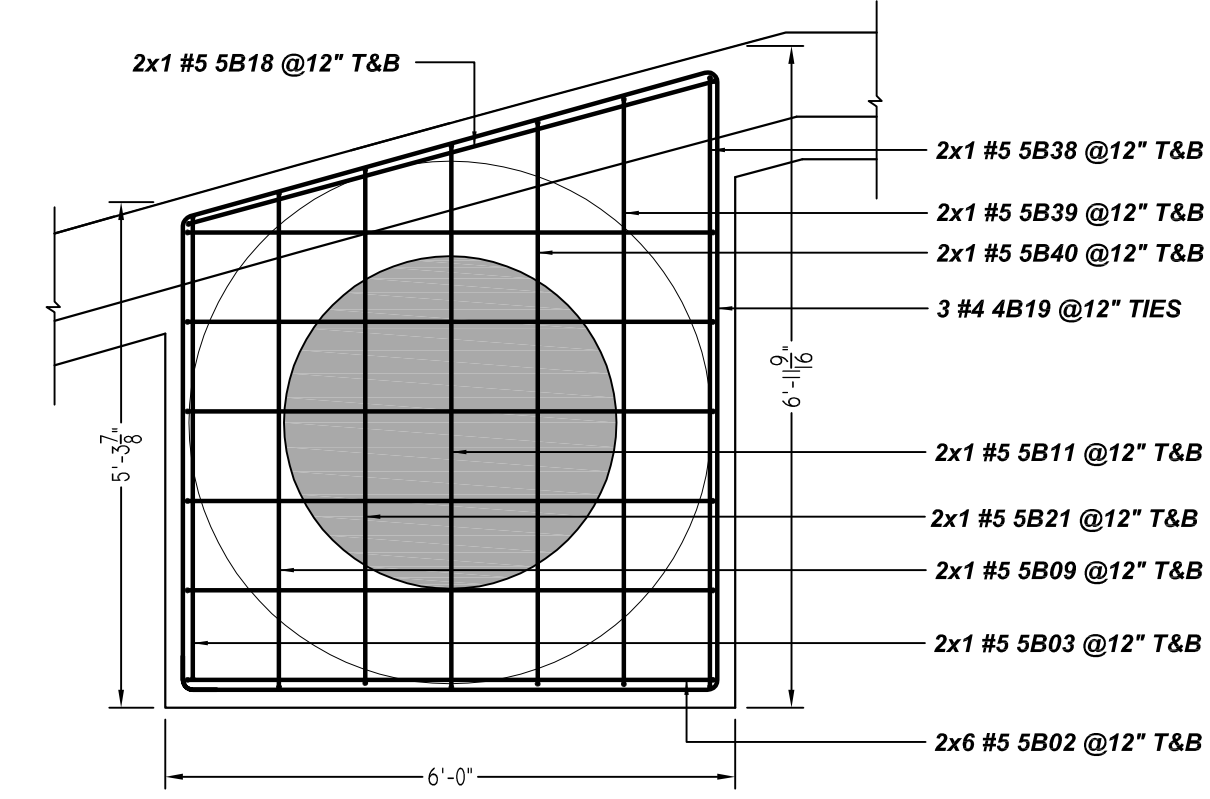
PIER CAP-PC2
SCALE - 1/2"=1'-0"
REF:19/S3.07
(2 LOCATIONS)



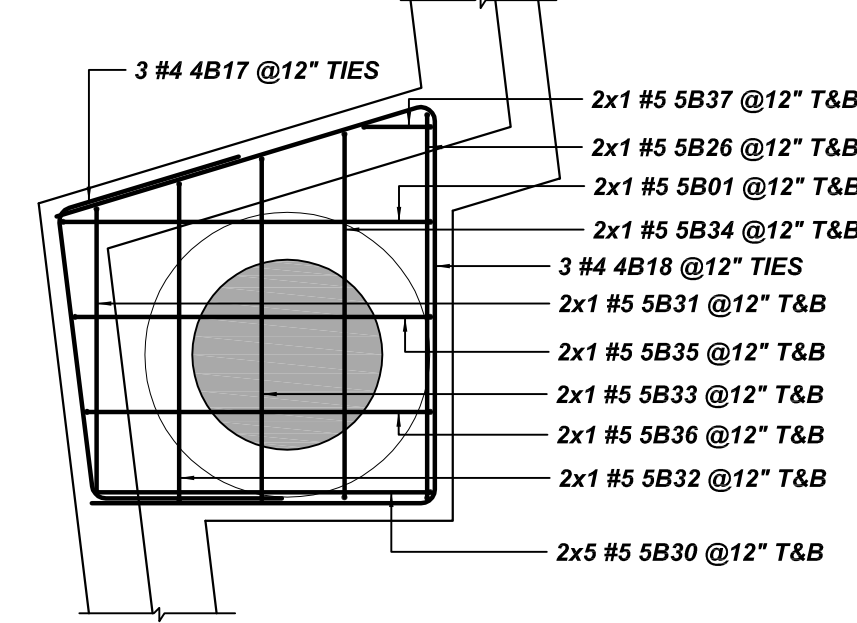
PIER CAP-PC3
SCALE - 1/2"=1'-0"
REF:23/S3.01
REF:23/S3.04



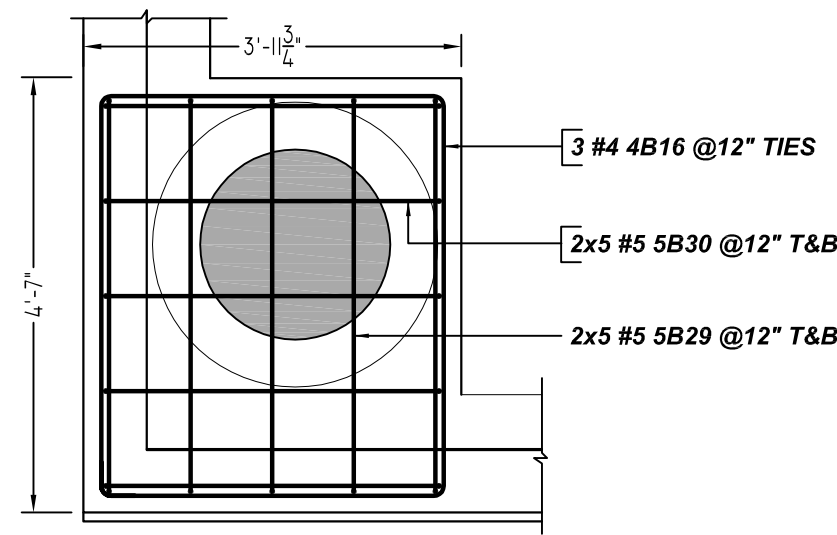
PIER CAP-PC2
SCALE - 1/2"=1'-0"
REF:23/S3.04



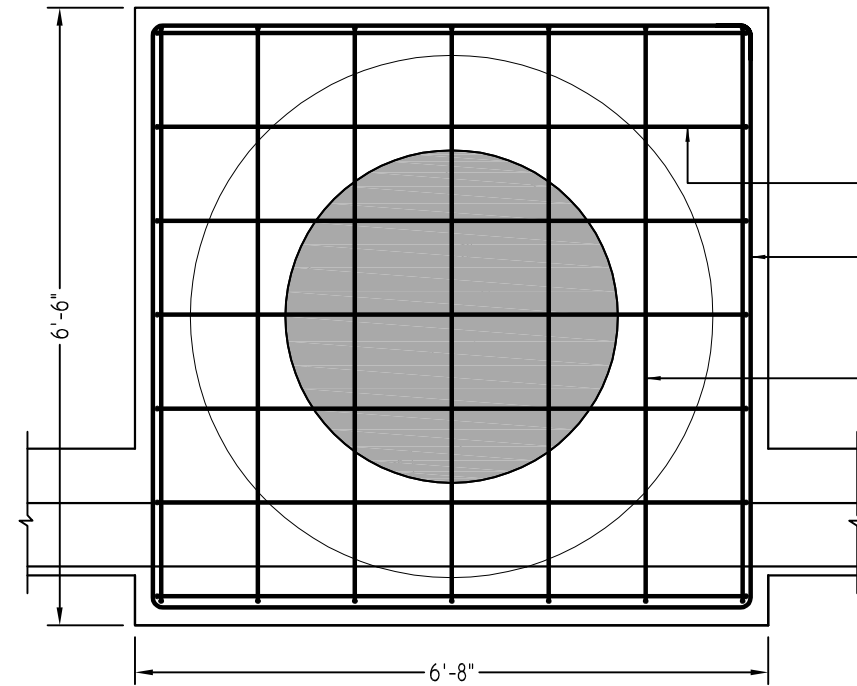
PIER CAP-PC3
SCALE - 1/2"=1'-0"
REF:23/S3.04



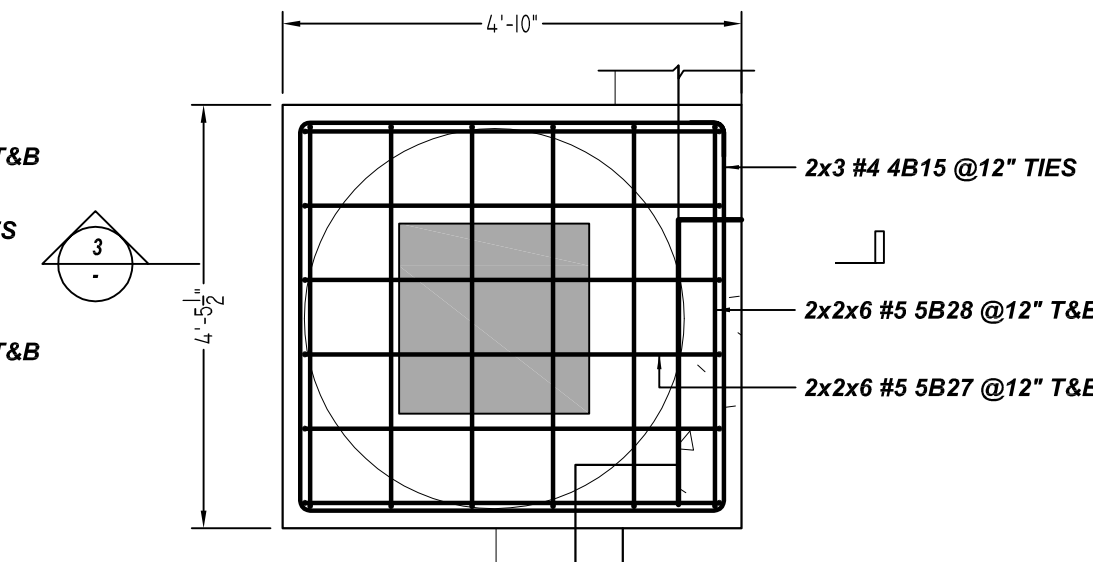
PIER CAP-PC4
SCALE - 1/2"=1'-0"
REF:23/S3.04



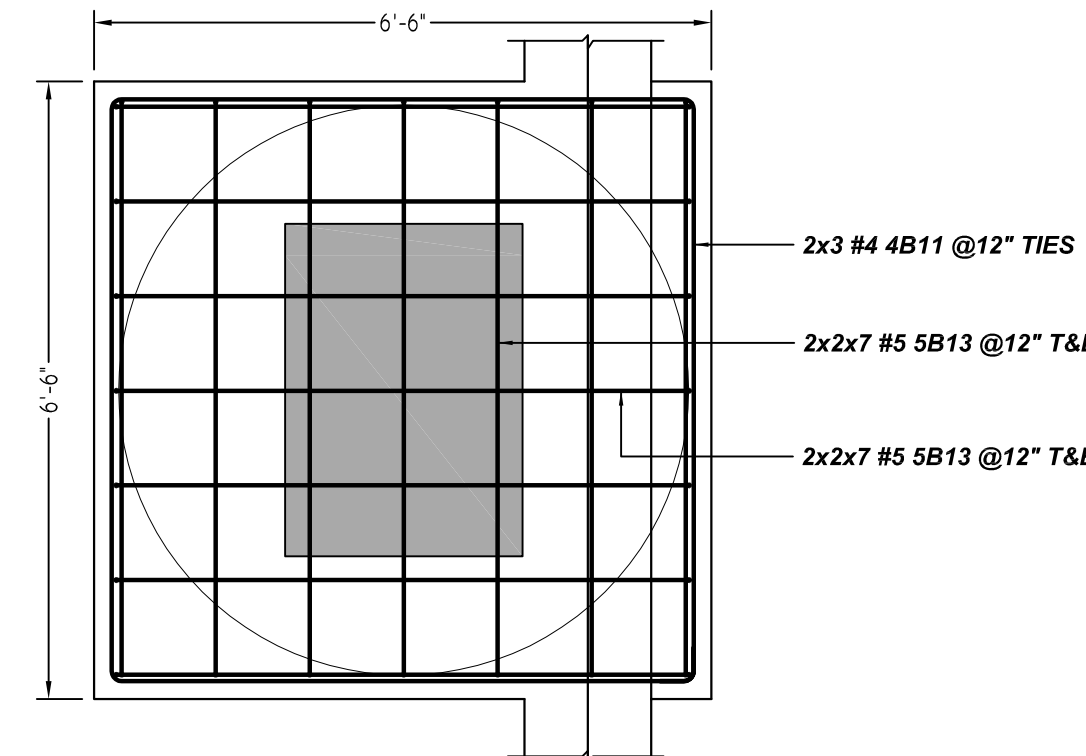
PIER CAP-PC5
SCALE - 1/2"=1'-0"
REF:23/S3.04



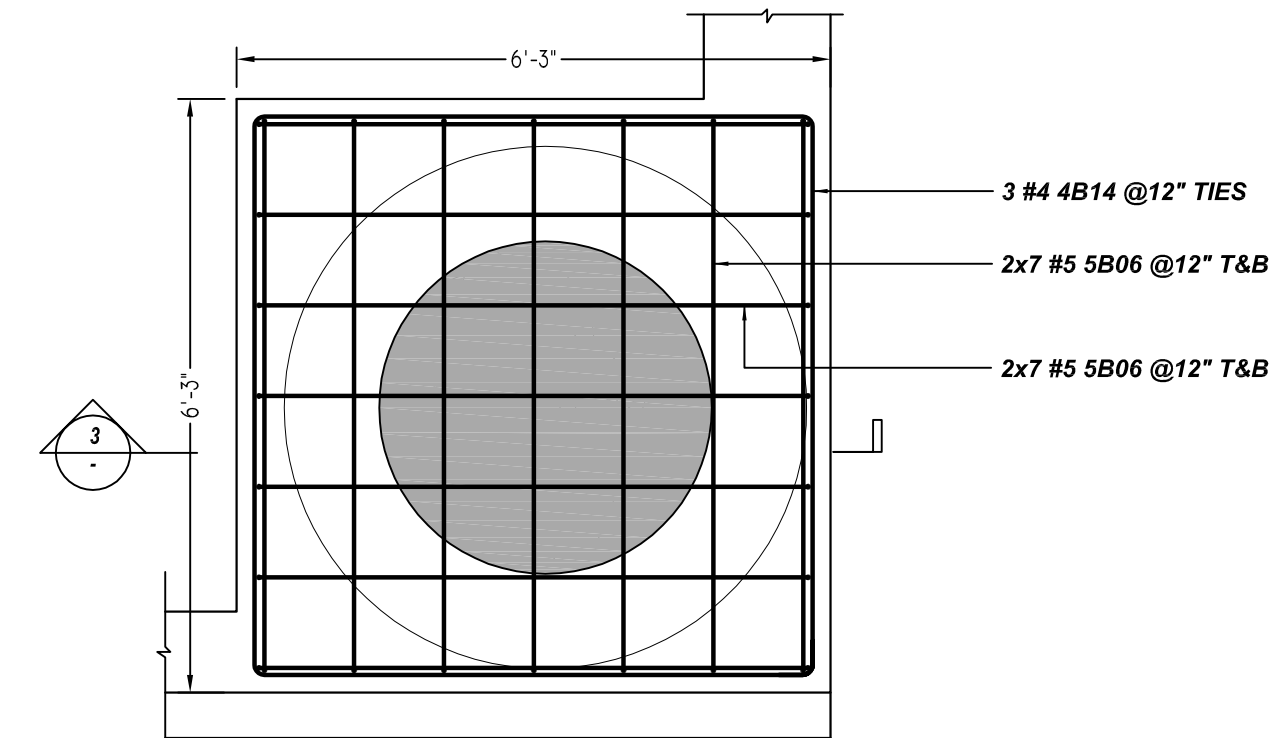
PIER CAP-PC6
SCALE - 1/2"=1'-0"
REF:23/S3.04



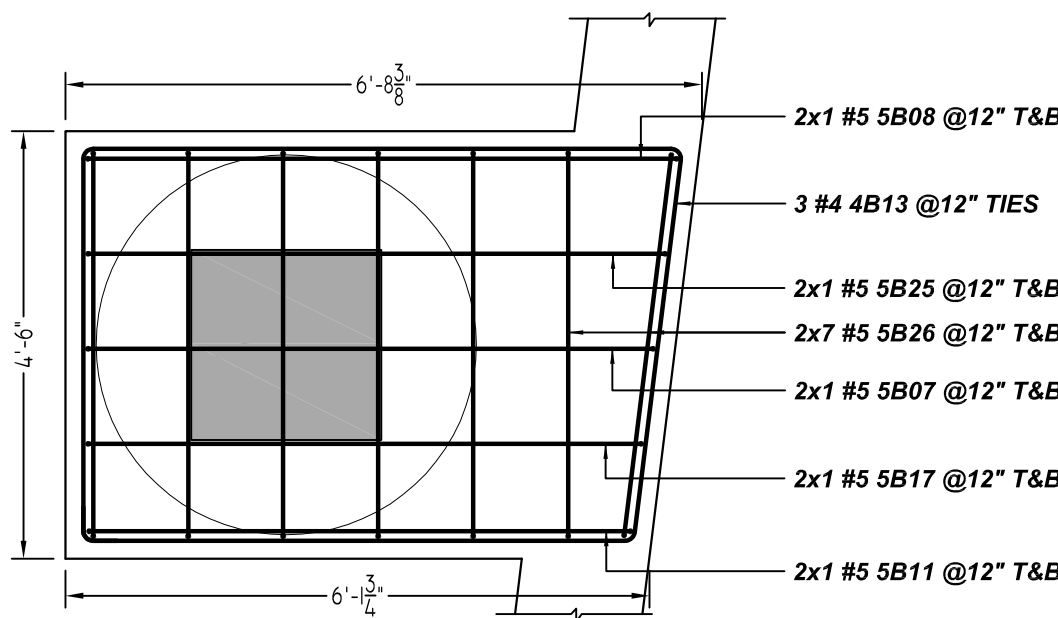
PIER CAP-PC7
SCALE - 1/2"=1'-0"
REF:23/S3.01
(2 LOCATIONS)



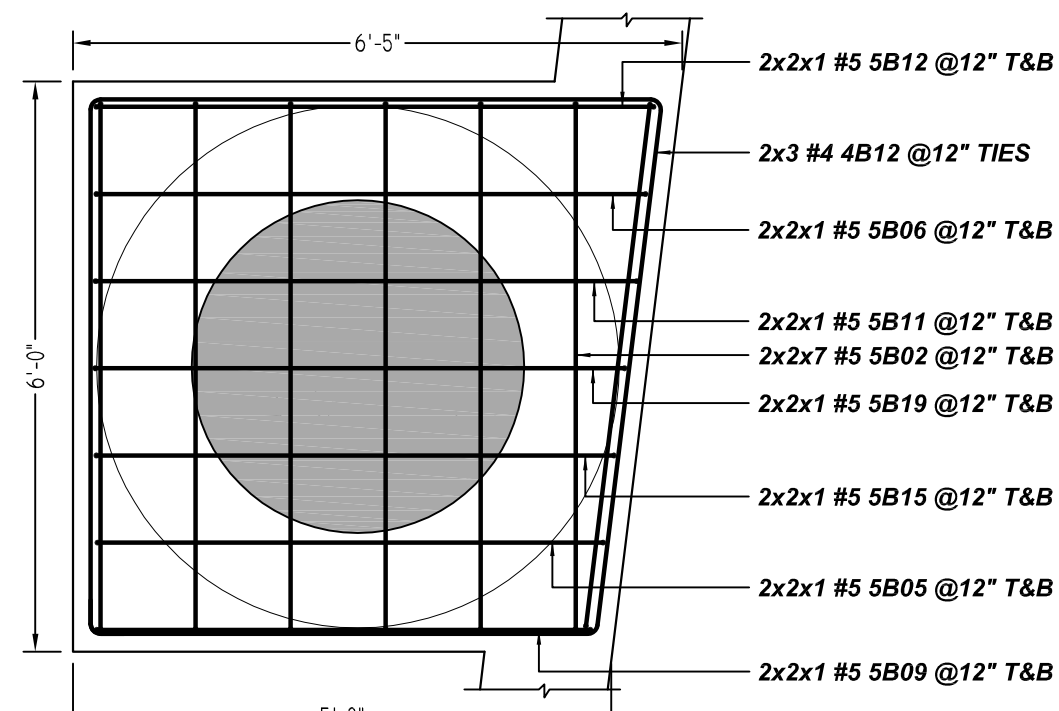
PIER CAP-PC8
SCALE - 1/2"=1'-0"
REF:23/S3.04
(2 LOCATIONS)



PIER CAP-PC9
SCALE - 1/2"=1'-0"
REF:23/S3.04



PIER CAP-PC10
SCALE - 1/2"=1'-0"
REF:23/S3.04

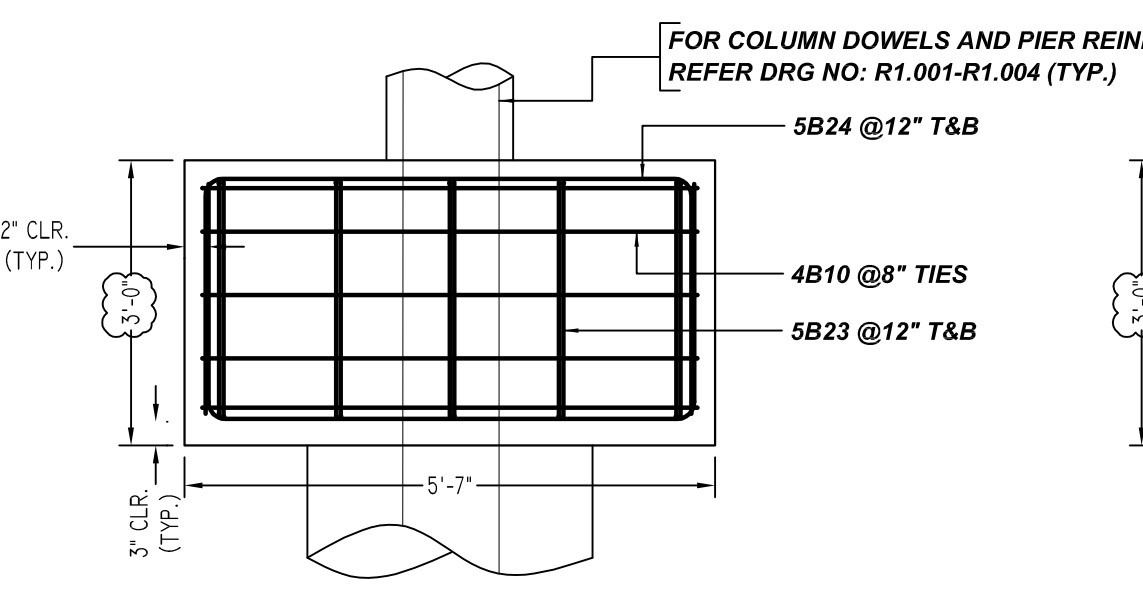
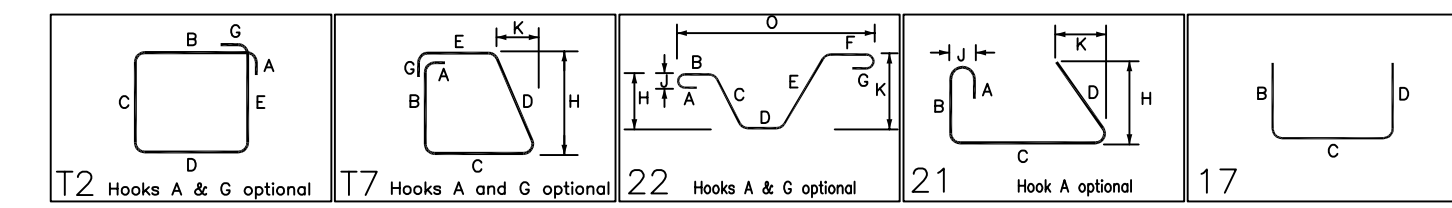


PIER CAP-PC11
SCALE - 1/2"=1'-0"
REF:23/S3.04
(2 LOCATIONS)

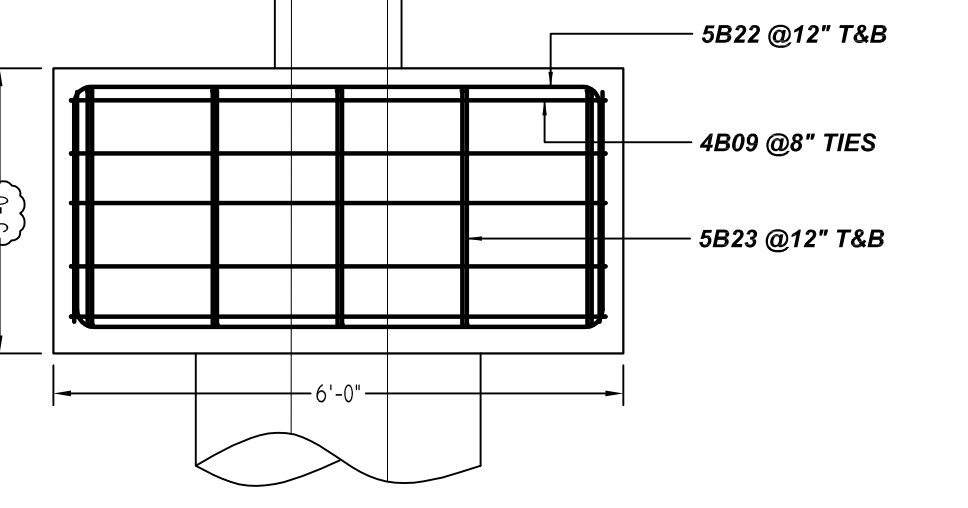
TYPICAL REINFORCING BAR CLEARANCE TABLE	
LOCATION	MIN. COVER
PIER CAP SIDE & TOP	2" CLR
PIER CAP BOTTOM	3" CLR

**ALL BARS IN THIS DRAWING
ASTM A615 GRADE 60
BLACK UNCOATED**

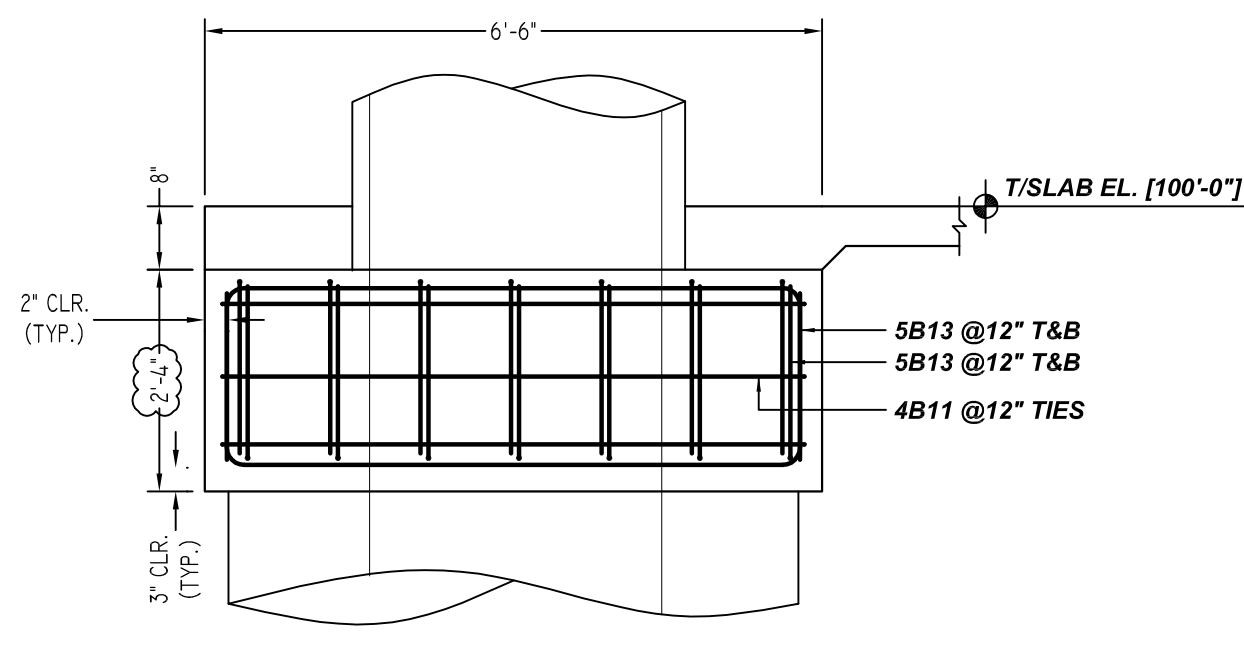
Bar No.	Qty	Size	Total Length	Type	X	Y	Z	W	V	U	T	S	R	Q	P	O	N	M	L	K	J	I	H	G	F	E	D	C	B	A
4808	10	#4	17'-5"	T2	0'-4"	2'-8"	5'-8"	2'-8"	5'-8"																					
4810	5	#4	16'-7"	T2	0'-4"	2'-8"	5'-3"	2'-8"	5'-3"																					
4811	6	#4	25'-5"	T2	0'-4"	6'-2"	6'-2"	6'-2"	6'-2"																					
4812	6	#4	23'-6"	T7	0'-4"	5'-8"	6'-0"	5'-8"	5'-4"																					
4813	3	#4	21'-3"	T7	0'-4"	4'-2"	6'-4"	4'-2"	5'-10"																					
4814	3	#4	24'-5"	T2	0'-4"	5'-11"	5'-11"	5'-11"	5'-11"																					
4815	6	#4	18'-0"	T2	0'-4"	4'-6"	4'-1"	4'-6"	4'-1"																					
4816	3	#4	15'-6"	T2	0'-4"	3'-7"	4'-3"	3'-7"	4'-3"																					
4817	3	#4	7'-0"	Z2		2'-0"	3'-0"	2'-0"																						
4818	3	#4	11'-11"	Z1		3'-7"	4'-2"	4'-1"																						
4819	3	#4	23'-9"	T7	0'-4"	5'-8"	6'-8"	5'-10"	5'-0"																					
4820	3	#4	12'-5"	T2	0'-4"	3'-2"	3'-2"	3'-2"	3'-2"																					
4821	6	#4	14'-8"	T7	0'-4"	3'-2"	4'-0"	3'-2"	3'-2"																					
4822	3	#4	25'-5"	T2	0'-4"	6'-4"	6'-4"	6'-4"	6'-4"																					
5801	4	#5	7'-7"	T7		1'-10"	3'-11"	1'-10"																						
5802	4	#5	8'-3"	T7		1'-10"	5'-7"	1'-10"																						
5803	2	#5	8'-7"	T7		1'-10"	4'-11"	1'-10"																						
5805	4	#5	9'-9"	T7		1'-10"	5'-4"	1'-10"																						
5806	3	#5	9'-5"	T7		1'-10"	5'-10"	1'-10"																						
5807	2	#5	9'-8"	T7		1'-10"	6'-0"	1'-10"																						
5808	16	#5	8'-11"	T7		1'-10"	6'-3"	1'-10"																						
5809	6	#5	8'-11"	T7		1'-10"	5'-3"	1'-10"																						
5811	8	#5	8'-5"	T7		1'-10"	5'-9"	1'-10"																						
5812	4	#5	8'-7"	T7		1'-10"	5'-11"	1'-10"																						
5813	7	#5	8'-9"	T7		1'-10"	6'-1"	1'-10"																						
5815	4	#5	8'-2"	T7		1'-10"	5'-4"	1'-10"																						
5817	2	#5	9'-6"	T7		1'-10"	5'-10"	1'-10"																						
5818	2	#5	9'-5"	T7		1'-10"	5'-9"	1'-10"																						
5819	4	#5	9'-3"	T7		1'-10"	5'-7"	1'-10"																						
5821	2	#5	9'-1"	T7		1'-10"	5'-5"	1'-10"																						
5822	2	#5	10'-7"	T7		2'-6"	5'-7"	2'-6"																						
5823	3	#5	7'-7"	T7		2'-6"	2'-7"	2'-6"																						
5824	10	#5	10'-2"	T7		2'-6"	5'-2"	2'-6"																						
5825	2	#5	9'-9"	T7		1'-10"	6'-1"	1'-10"																						
5826	16	#5	7'-9"	T7		1'-10"	4'-11"	1'-10"																						
5827	2	#5	8'-11"	T7		1'-10"	4'-5"	1'-10"																						
5828	2	#5	7'-8"	T7		1'-10"	4'-0"	1'-10"																						
5829	10	#5	7'-10"	T7		1'-10"	4'-2"	1'-10"																						
5830	2	#5	7'-2"	T7		1'-10"	3'-6"	1'-10"																						
5831	2	#5	6'-8"	T7		1'-10"	3'-0"	1'-10"																						
5832	2	#5	7'-0"	T7		1'-10"	3'-4"	1'-10"																						
5833	2	#5	7'-3"	T7		1'-10"	3'-7"	1'-10"																						
5834	2	#5	7'-8"	T7		1'-10"	3'-10"	1'-10"																						
5835	6	#5	7'-5"	T7		1'-10"	3'-9"	1'-10"																						
5836	6	#5	7'-4"	T7		1'-10"	3'-8"	1'-10"																						
5837	2	#5	4'-5"	T7		1'-10"	0'-8"	1'-10"																						
5838	2	#5	10'-1"	T7		1'-10"	6'-5"	1'-10"																						
5839	2	#5	9'-10"	T7		1'-10"	6'-2"	1'-10"																						
5840	2	#5	9'-7"	T7		1'-10"	5'-11"	1'-10"																						
5841	3	#5	6'-9"	T7		1'-10"	5'-7"	1'-10"																						



SECTION 1
SCALE - 1/2"=1'-0"

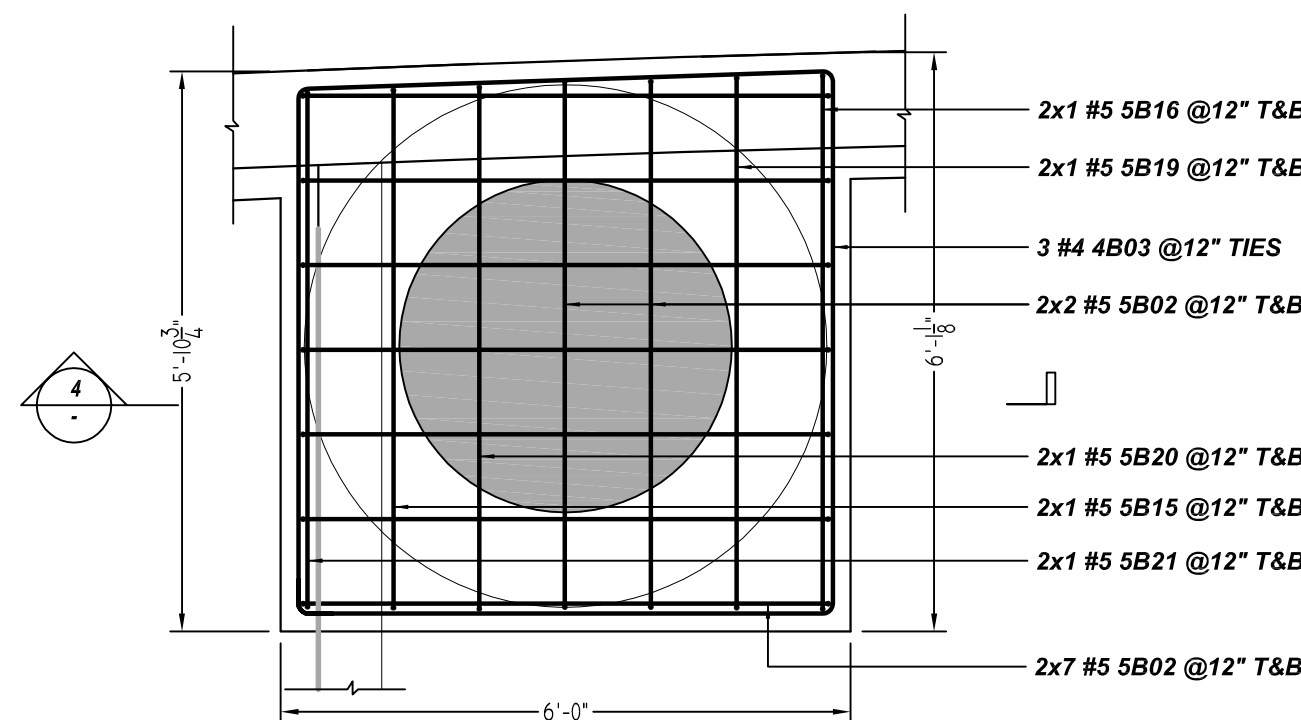


SECTION 2
SCALE - 1/2"=1'-0"

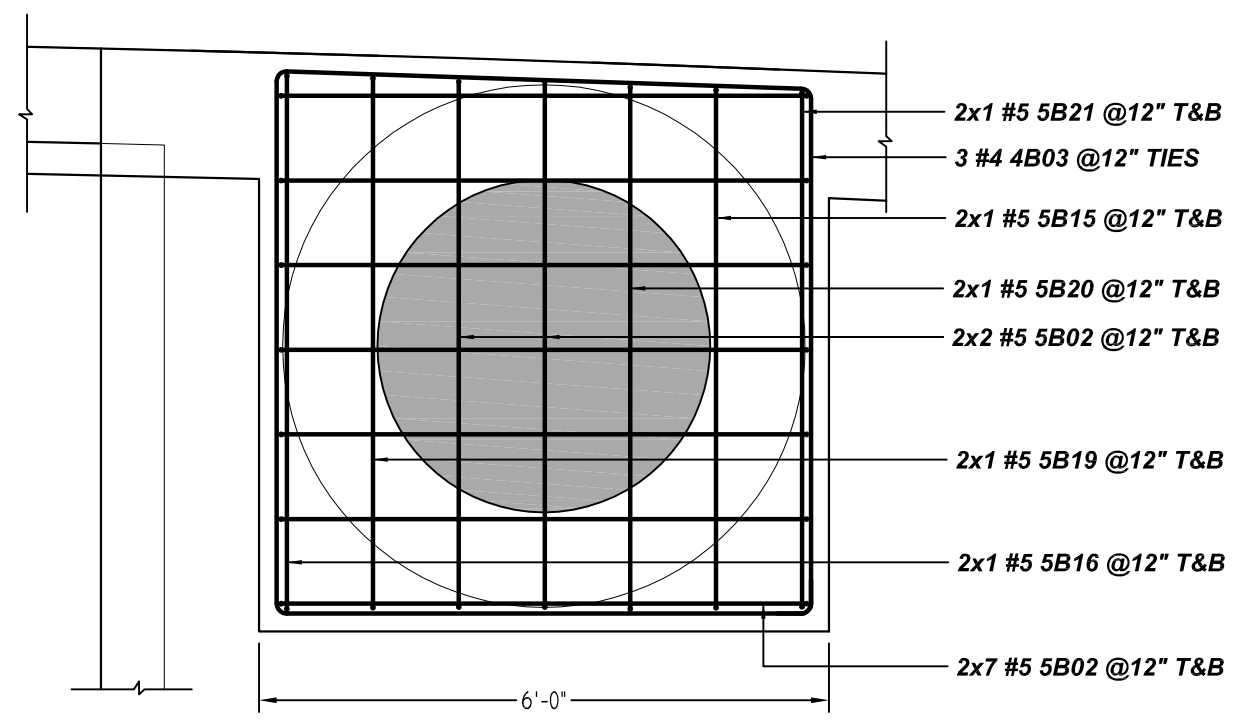


SECTION 3
SCALE - 1/2"=1'-0"

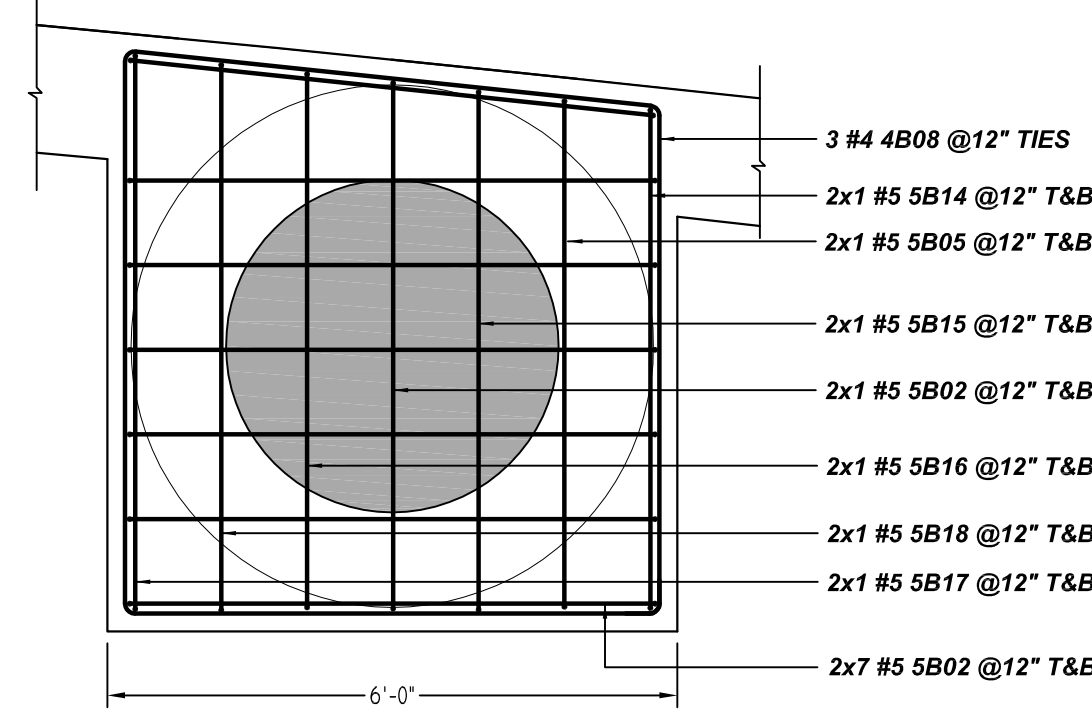
THE PLACING DRAWING IS D'AMBRA'S INTERPRETATION OF THE CONTRACT DRAWINGS. IT IS NOT INTENDED AS A STANDALONE DOCUMENT AND MUST ALWAYS BE USED IN CONJUNCTION WITH THE CONTRACT DRAWINGS.			
SHEET TITLE: PIER CAP REINFORCEMENT DETAILS			
PROJECT: GRANITE PARK VI			
LOCATION: PLANO, TEXAS			
CUSTOMER: AUSTIN COMMERCIAL			
ENGINEER: L.A FUESS PARTNERS, INC.			
ISS.	BY.	DATE	DESCRIPTION
0	BCS	10/15/21	FOR APPROVAL
DETAILER:	JOB #	SHEET #	
BCS	21022	R2.002	



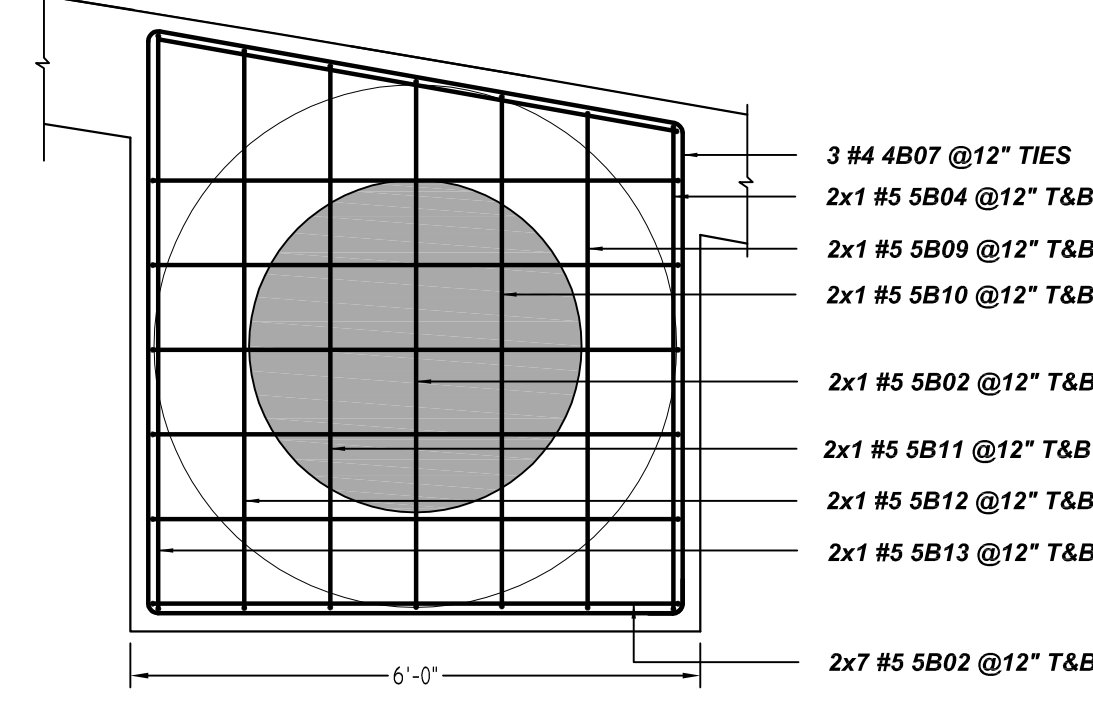
PIER CAP-PC12
SCALE - 1/2"=1'-0"
REF:23/S3.04



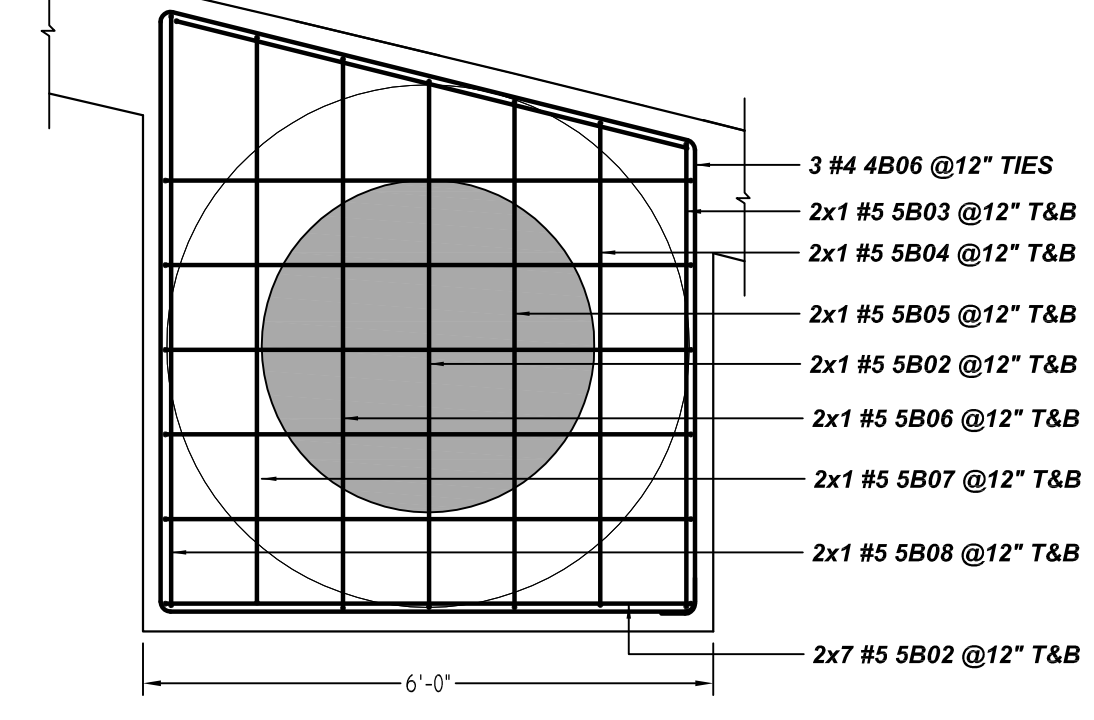
PIER CAP-PC13
SCALE - 1/2"=1'-0"
REF:23/S3.04



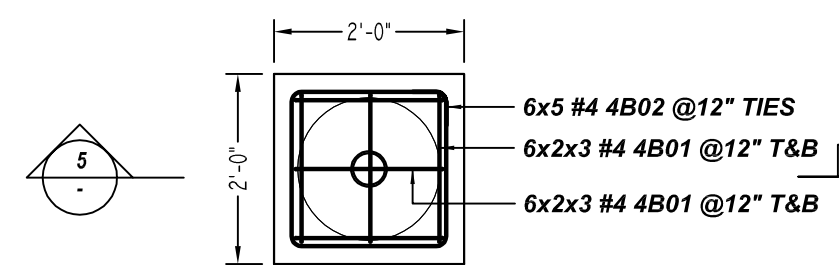
PIER CAP-PC14
SCALE - 1/2"=1'-0"
REF:23/S3.04



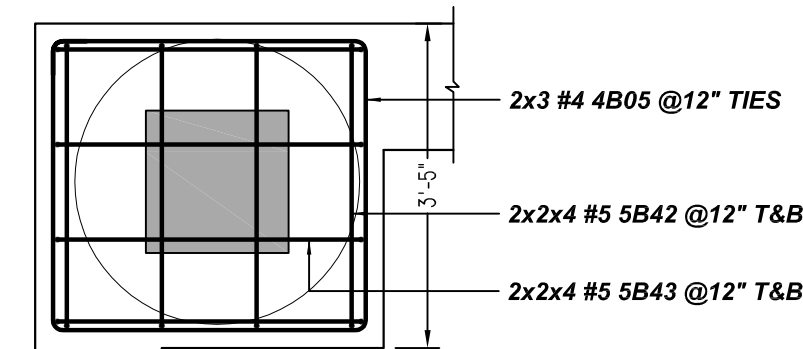
PIER CAP-PC15
SCALE - 1/2"=1'-0"
REF:23/S3.04



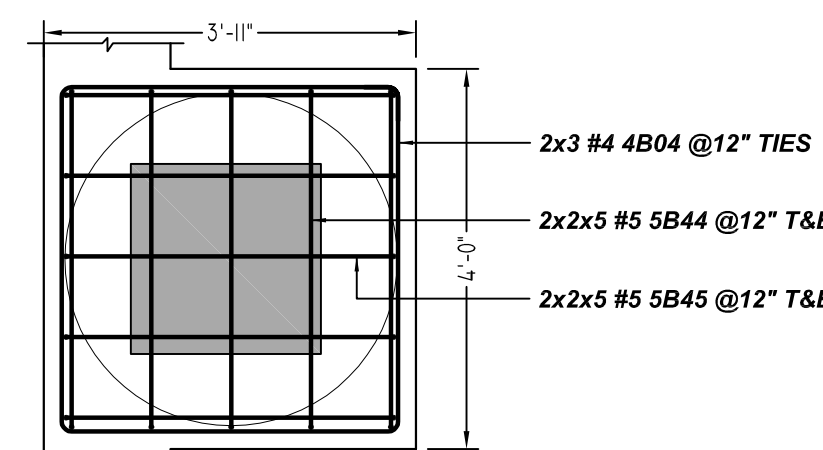
PIER CAP-PC16
SCALE - 1/2"=1'-0"
REF:23/S3.04



PIER CAP-PC17
SCALE - 1/2"=1'-0"
REF:23/S3.04
(6 LOCATIONS)



PIER CAP-PC18
SCALE - 1/2"=1'-0"
REF:23/S3.04
(2 LOCATIONS)

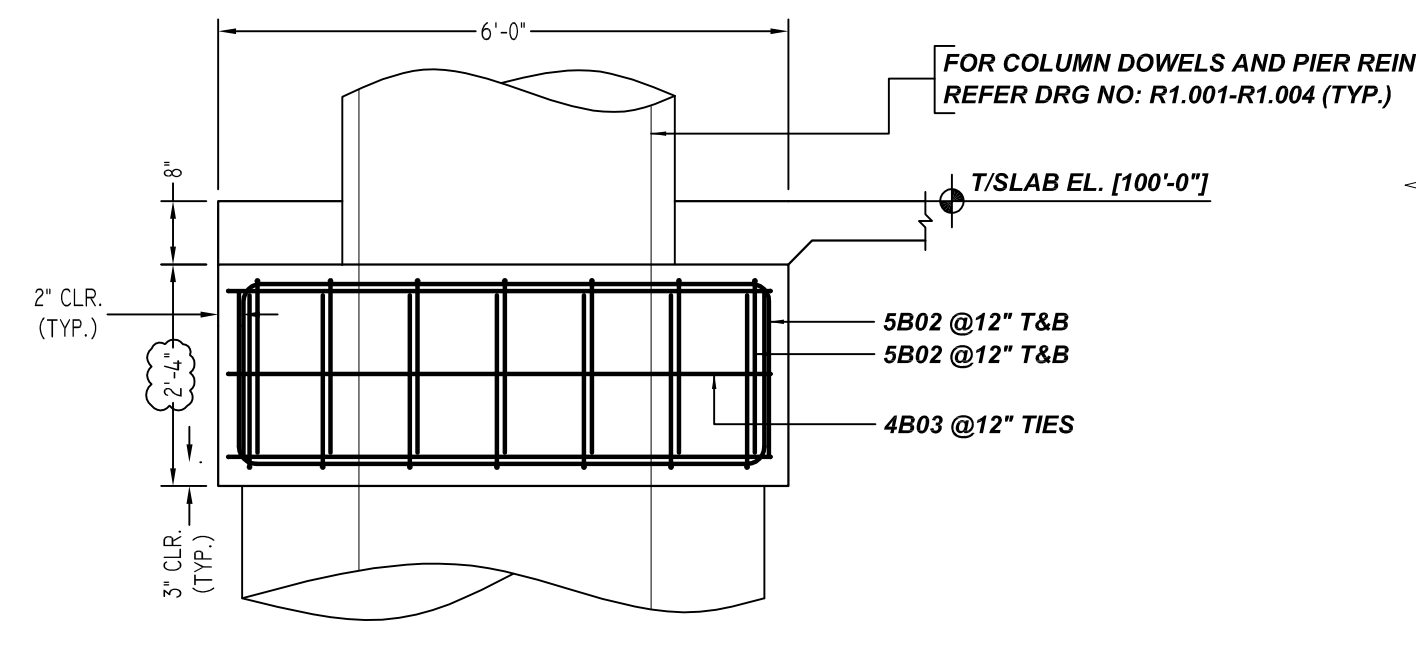


PIER CAP-PC19
SCALE - 1/2"=1'-0"
REF:23/S3.04
(2 LOCATIONS)

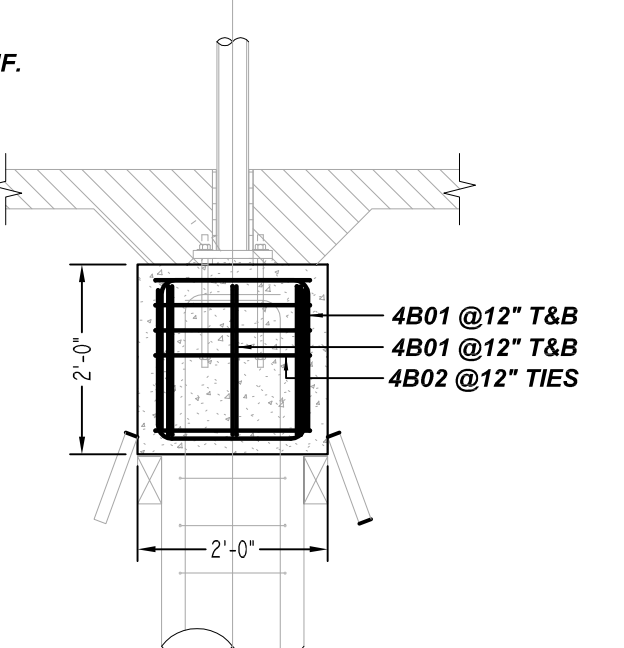
Bar Mark	Qty	Size	Total Length	Type	X'	Y'	Z'	W'	V'	U'	T'	S'	R'	Q'	P'	O'	N'	M'	L'	K'	J'	I'	H'	G'	F'	E'	D'	C'	B'	A'	
4B01	72	#4	4'-9"	T	1'-7"	1'-7"	1'-7"	1'-7"																							
4B02	36	#4	7'-5"	T	0'-4 X	1'-8"	1'-8"	1'-8"	1'-8"																						
4B03	6	#4	23'-4 X	T	0'-4 X	5'-8"	5'-8"	5'-8"	5'-8"	5'-4 X																					
4B04	6	#4	15'-3"	T	0'-4 X	3'-7"	3'-8"	3'-8"	3'-8"	0'-4 X																					
4B05	6	#4	15'-7"	T	0'-4 X	3'-1"	3'-4"	3'-4"	3'-4"	0'-4 X																					
4B06	3	#4	25'-6 X	T	0'-4 X	5'-8"	6'-4 X	5'-8 X	5'-0"	0'-4 X																					
4B07	3	#4	23'-6"	T	0'-4 X	5'-8"	6'-2"	5'-8 X	5'-2 X	0'-4 X																					
4B08	3	#4	23'-5"	T	0'-4 X	5'-8"	5'-11 X	5'-8"	5'-4 X	0'-4 X																					
5B02	84	#5	9'-5"	T	1'-10"	5'-7"	5'-7"	5'-7"	5'-7"																						
5B03	2	#5	8'-7"	T	1'-10"	4'-11"	4'-11"	4'-11"	4'-11"																						
5B04	4	#5	9'-9 X	T	1'-10"	5'-1 X	5'-1 X	5'-1 X	5'-1 X																						
5B05	4	#5	9'-0 X	T	1'-10"	5'-4 X	5'-4 X	5'-4 X	5'-4 X																						
5B06	2	#5	9'-6"	T	1'-10"	5'-10"	5'-10"	5'-10"	5'-10"																						
5B07	2	#5	9'-8"	T	1'-10"	6'-0"	6'-0"	6'-0"	6'-0"																						
5B08	2	#5	9'-11"	T	1'-10"	6'-3"	6'-3"	6'-3"	6'-3"																						
5B09	2	#5	8'-11"	T	1'-10"	5'-3"	5'-3"	5'-3"	5'-3"																						
5B10	2	#5	9'-1"	T	1'-10"	5'-5"	5'-5"	5'-5"	5'-5"																						
5B11	2	#5	9'-5"	T	1'-10"	5'-9"	5'-9"	5'-9"	5'-9"																						
5B12	2	#5	9'-7"	T	1'-10"	5'-11"	5'-11"	5'-11"	5'-11"																						
5B13	2	#5	9'-9"	T	1'-10"	6'-1"	6'-1"	6'-1"	6'-1"																						
5B14	2	#5	8'-11 X	T	1'-10"	5'-3 X	5'-3 X	5'-3 X	5'-3 X																						
5B15	6	#5	8'-2"	T	1'-10"	5'-4"	5'-4"	5'-4"	5'-4"																						
5B16	6	#5	9'-4"	T	1'-10"	5'-8"	5'-8"	5'-8"	5'-8"																						
5B17	2	#5	9'-6 X	T	1'-10"	5'-10 X	5'-10 X	5'-10 X	5'-10 X																						
5B18	2	#5	9'-5 X	T	1'-10"	5'-9 X	5'-9 X	5'-9 X	5'-9 X																						
5B19	4	#5	9'-3 X	T	1'-10"	5'-7 X	5'-7 X	5'-7 X	5'-7 X																						
5B20	4	#5	9'-2 X	T	1'-10"	5'-6 X	5'-6 X	5'-6 X	5'-6 X																						
5B21	4	#5	9'-1 X	T	1'-10"	5'-5 X	5'-5 X	5'-5 X	5'-5 X																						
5B42	16	#5	6'-8"	T	1'-10"	3'-0"	3'-0"	3'-0"	3'-0"																						
5B43	16	#5	6'-11"	T	1'-10"	3'-3"	3'-3"	3'-3"	3'-3"																						
5B44	20	#5	7'-3"	T	1'-10"	3'-7"	3'-7"	3'-7"	3'-7"																						
5B45	20	#5	7'-2"	T	1'-10"	3'-6"	3'-6"	3'-6"	3'-6"																						

TYPICAL REINFORCING BAR CLEARANCE TABLE	
LOCATION	MIN. COVER
PIER CAP SIDE & TOP	2" CLR
PIER CAP BOTTOM	3" CLR

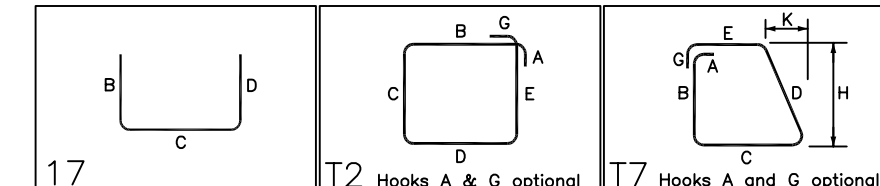
**ALL BARS IN THIS DRAWING
ASTM A615 GRADE 60
BLACK UNCOATED**



SECTION 4
SCALE - 1/2"=1'-0"



SECTION 5
SCALE - 1/2"=1'-0"



THE PLACING DRAWING IS D'AMBRA'S INTERPRETATION OF THE CONTRACT DRAWINGS. IT IS NOT INTENDED AS A STANDALONE DOCUMENT AND MUST ALWAYS BE USED IN CONJUNCTION WITH THE CONTRACT DRAWINGS.			
SHEET TITLE: PIER CAP REINFORCEMENT DETAILS			
PROJECT: GRANITE PARK VI			
LOCATION: PLANO, TEXAS			
CUSTOMER: AUSTIN COMMERCIAL			
ENGINEER: L.A FUESS PARTNERS, INC.			
DETAILER: BCS		JOB # 21022	SHEET # R2.003
ISS.	BY:	DATE	DESCRIPTION
0	BCS	10/15/21	FOR APPROVAL