

FOUNDATION REINFORCEMENT DETAILS
 SCALE - 1/8"=1'-0"
 REF.SI.1

- FOUNDATION WALL REINFORCEMENT DETAILS
REFER DWG RFW-01A TO RFW-01C
- FOUNDATION WALL REINFORCEMENT DETAILS
REFER DWG RFW-01D TO RFW-01F
- FIRST FLOOR SLAB ON GRADE REINFORCEMENT DETAILS
REFER DWG RS-01
- SECOND FLOOR SLAB ON DECK REINFORCEMENT DETAILS
REFER DWG RS-02

MARK	FOOTING SIZE			REINF. WAY		REMARK
	LENGTH	WIDTH	THICKNESS	NO	SIZE	
F30	3'-0"	3'-0"	1'-3"	4	#5	-
F40A	4'-6"	4'-0"	1'-3"	5	#6	-
F80	8'-0"	8'-0"	1'-9"	9	#6	-
F90	9'-0"	9'-0"	2'-0"	12	#6	-
F100	10'-0"	10'-0"	2'-3"	14	#6	-
F110	11'-0"	11'-0"	2'-6"	10	#8	(12)-#6 TOP REINF EW @ B-4

LOCATION	MIN. COVER
FOOTINGS AGAINST EARTH	3"
COLUMN & PIER (VERTICAL REINF.)	2"
WALLS INTERIOR FACE	3/4"
WALLS EXTERIOR FACE (#5 & SMALLER)	1-1/2"
WALLS EXTERIOR FACE (#6 & LARGER)	2"
SLAB ON GRADE	1/3-THK FROM TOP OF SURFACE
SLABS (EXTERIOR)	3/4"
SLABS (INTERIOR)	1-1/2"

SIZE	3000 PSI		SIZE	4000 PSI	
	TOP	OTHERS		TOP	OTHERS
#3	28"	22"	#3	24"	19"
#4	37"	29"	#4	32"	25"
#5	47"	36"	#5	40"	31"
#6	56"	43"	#6	48"	37"
#7	81"	63"	#7	70"	54"
#8	93"	72"	#8	80"	62"
#9	105"	81"	#9	91"	70"
#10	118"	91"	#10	102"	79"
#11	131"	101"	#11	115"	87"

**ALL BARS IN THIS DRAWING
 ASTM A615 GRADE 60
 BLACK UNCOATED**

Abbreviations:
 IF=Inside Face
 OF=Outside Face
 EF=Each Face
 V=Vertical
 H=Horizontal
 COR=Corner
 SLAB DWLS=Slab Dowels
 EW=Each Way
 B=Bottom
 T=Top
 M DWL= Masonry Dowel
 BB=Bond Beam
 ALT. Alternate
 APPROX: Approximate
 ES=Each Side

OPNG=Opening
BAL: Balance
BTW: Between
CJ=Construction Joint
CLR: CLEARANCE
CMU= Concrete Masonry Unit
CONT=Continuous
Elev=Elevation
EMBED=Embedment
SW = Short Way
LW=Long Way
(BL)=Black Bar
(EP)=Epoxy Bar
(GA)= Galvanized
(TB)= Threaded Bar
(CB)= Coupler Bar

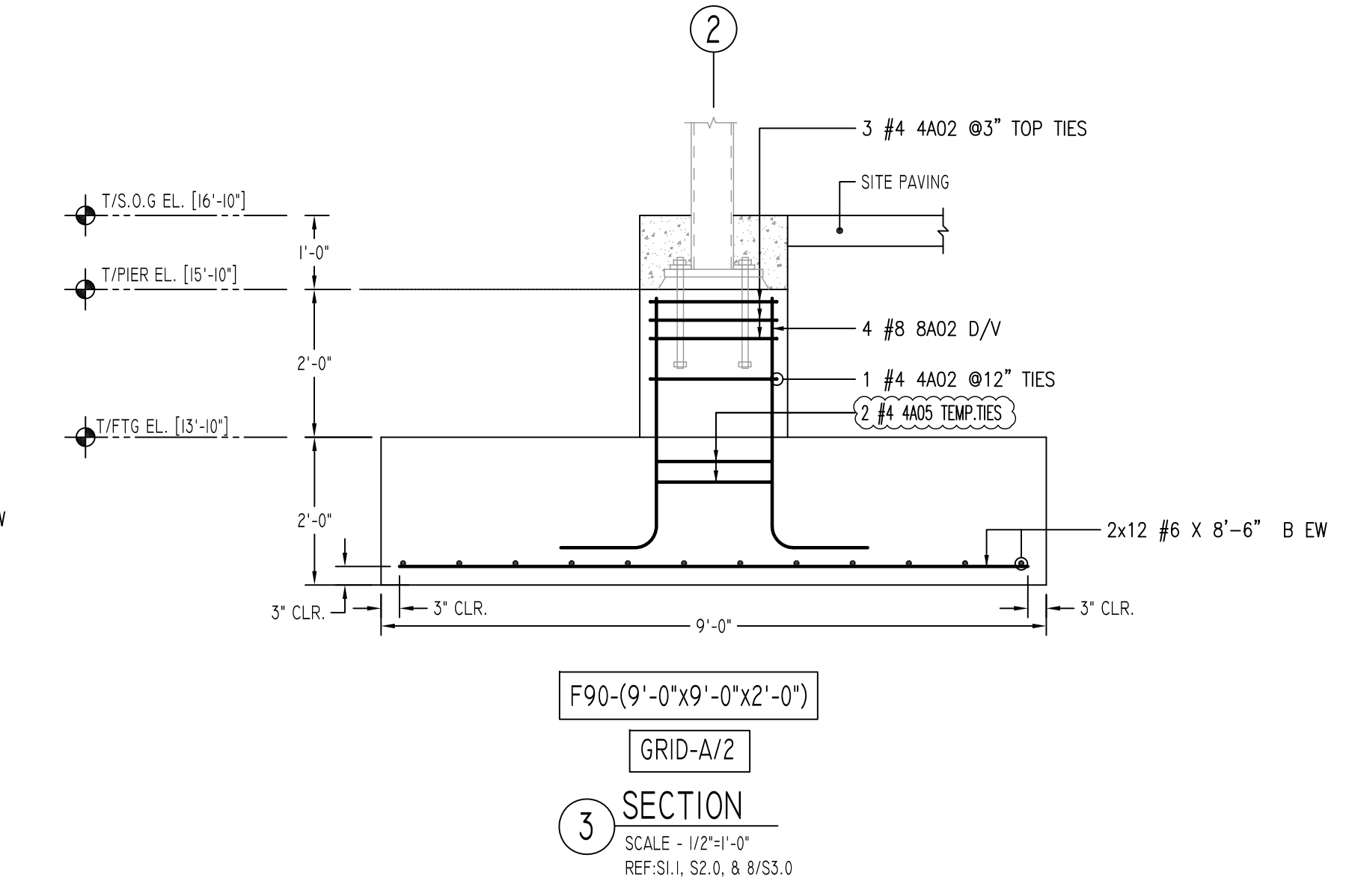
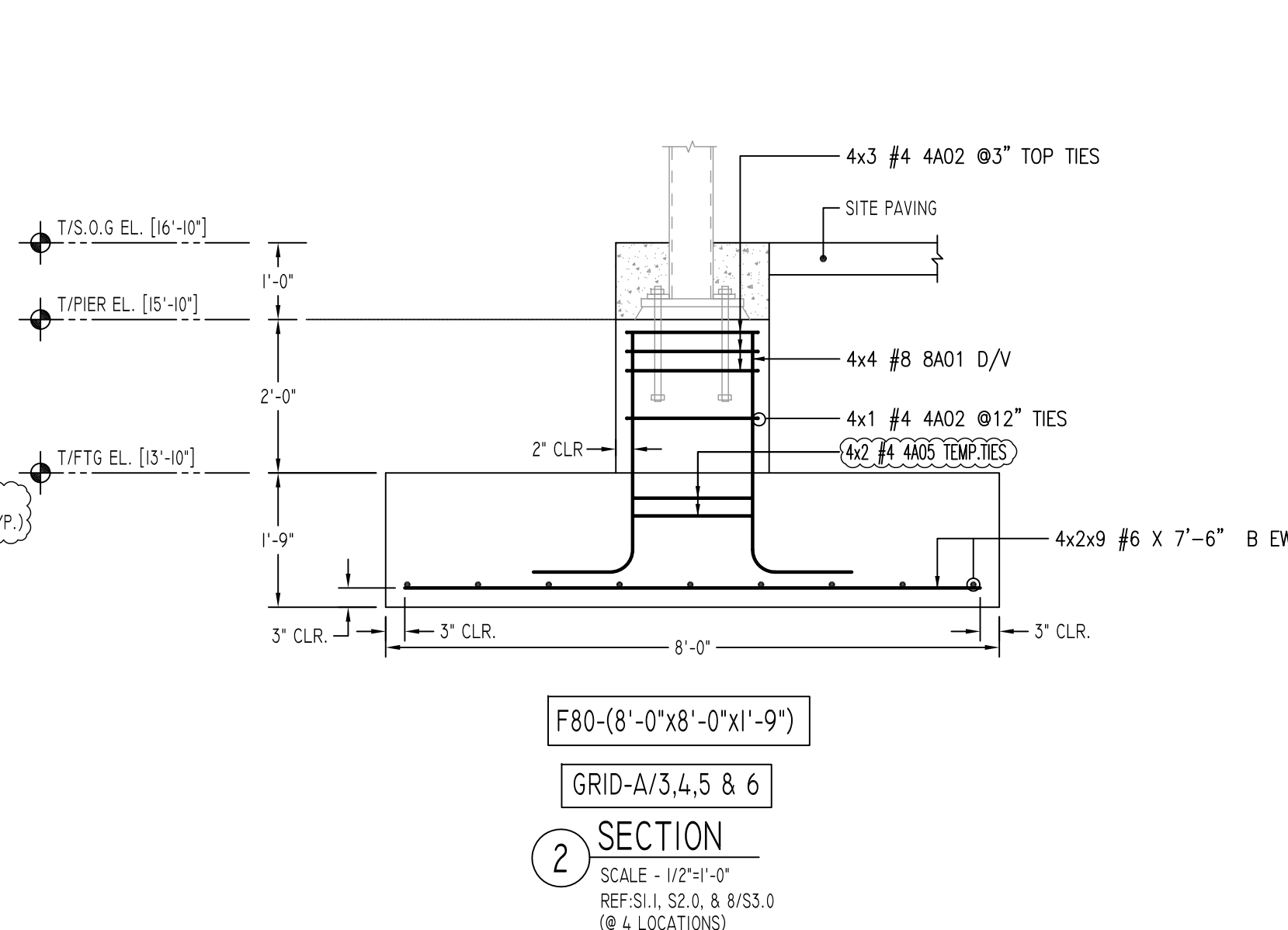
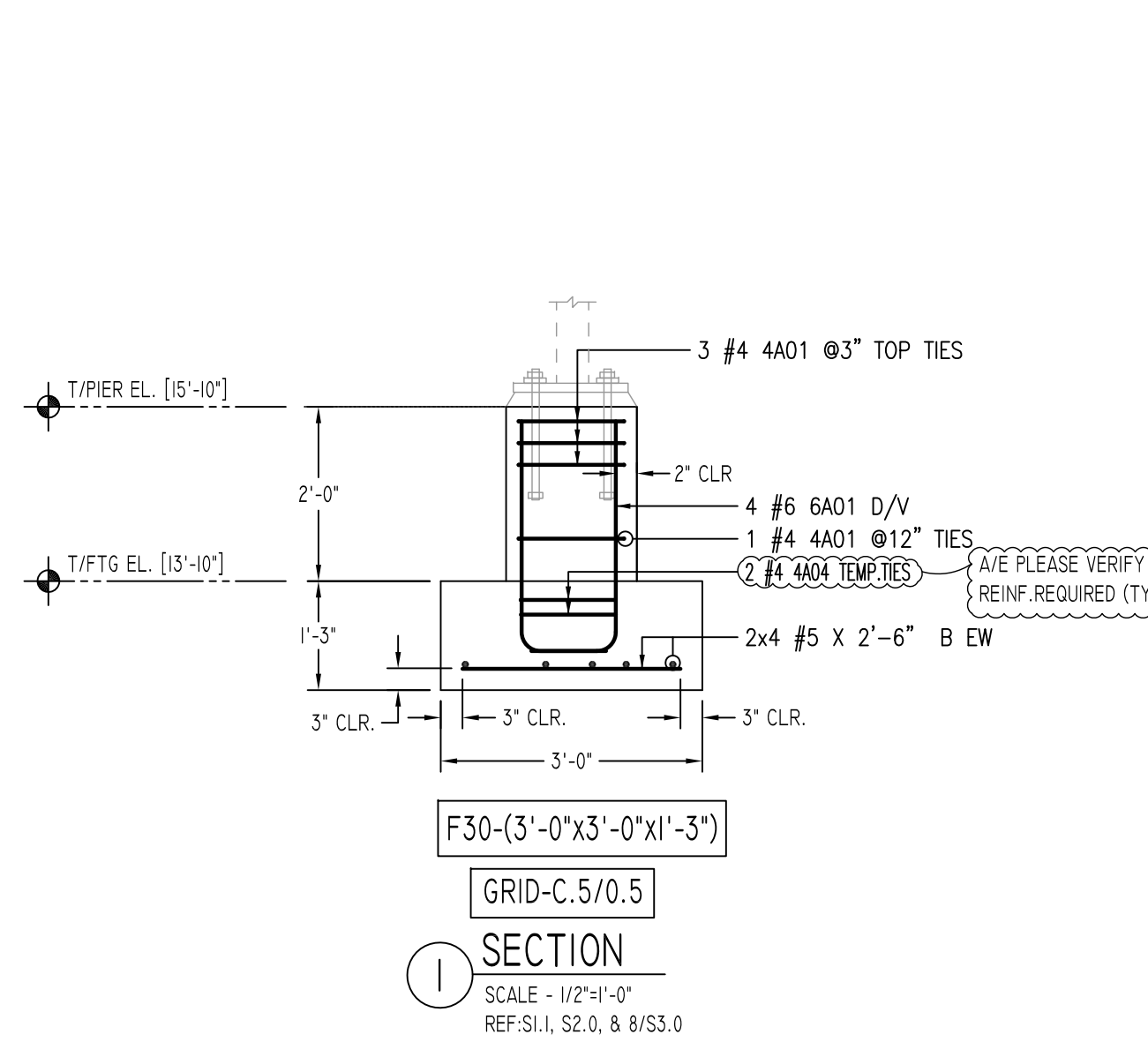
NOTICE

Shortages, improper fabrication or claims for any other reason must be reported to this company within a period of 15 days of delivery. This company reserves the right to field inspect prior to replacement or reconditioning of nonconforming material, and will not honor charges for work done in the field without specific authorization from this company.

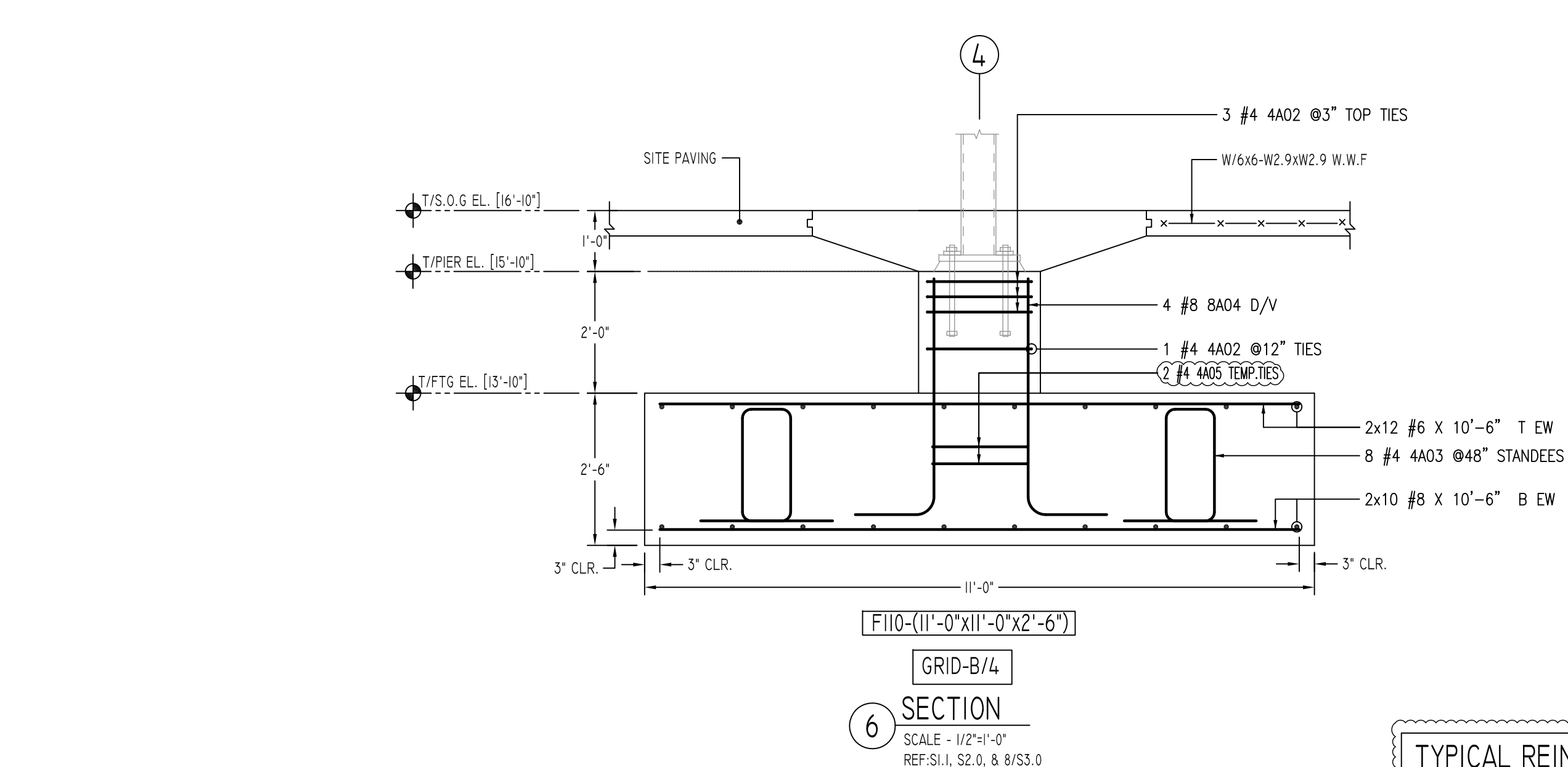
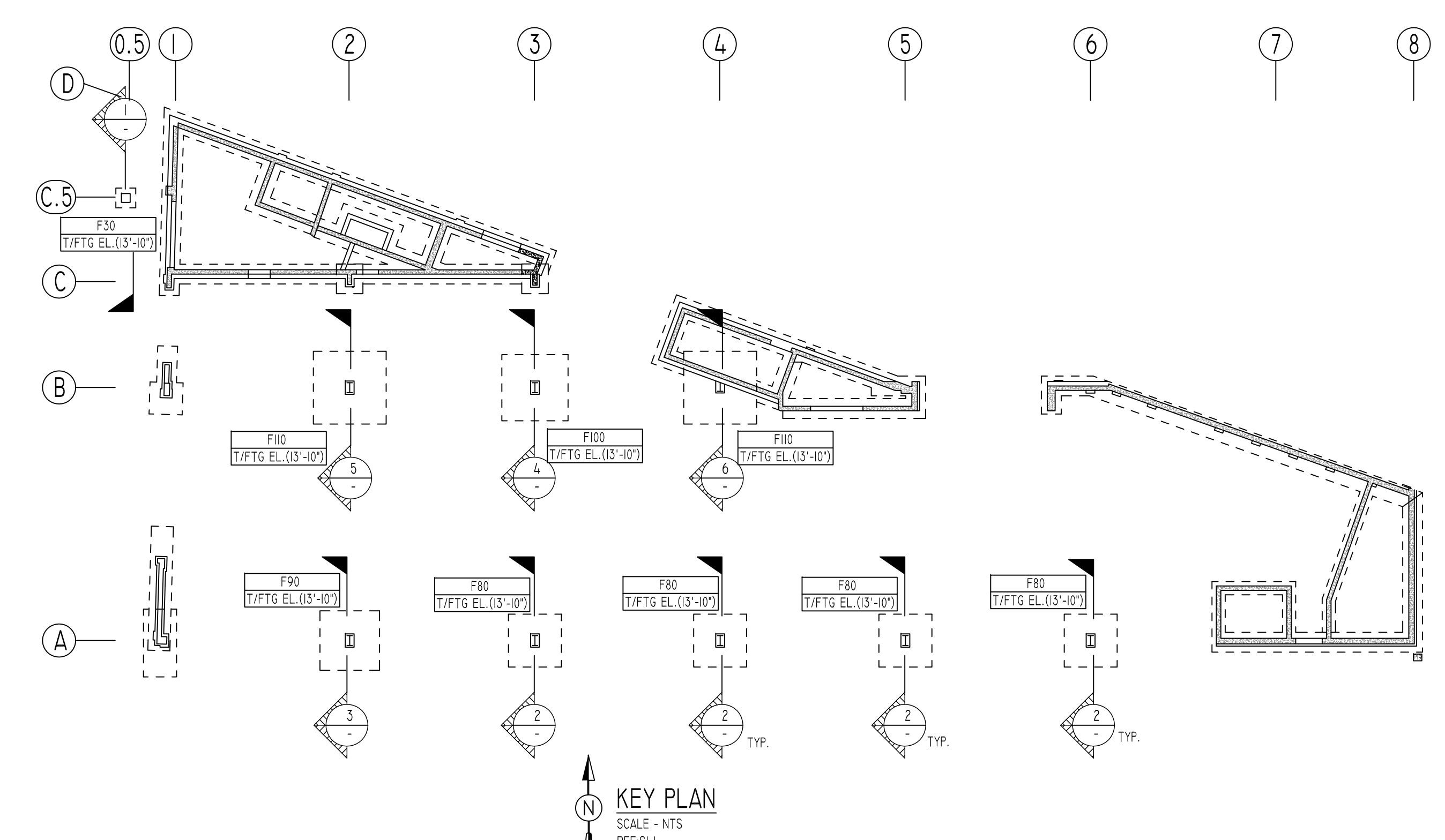
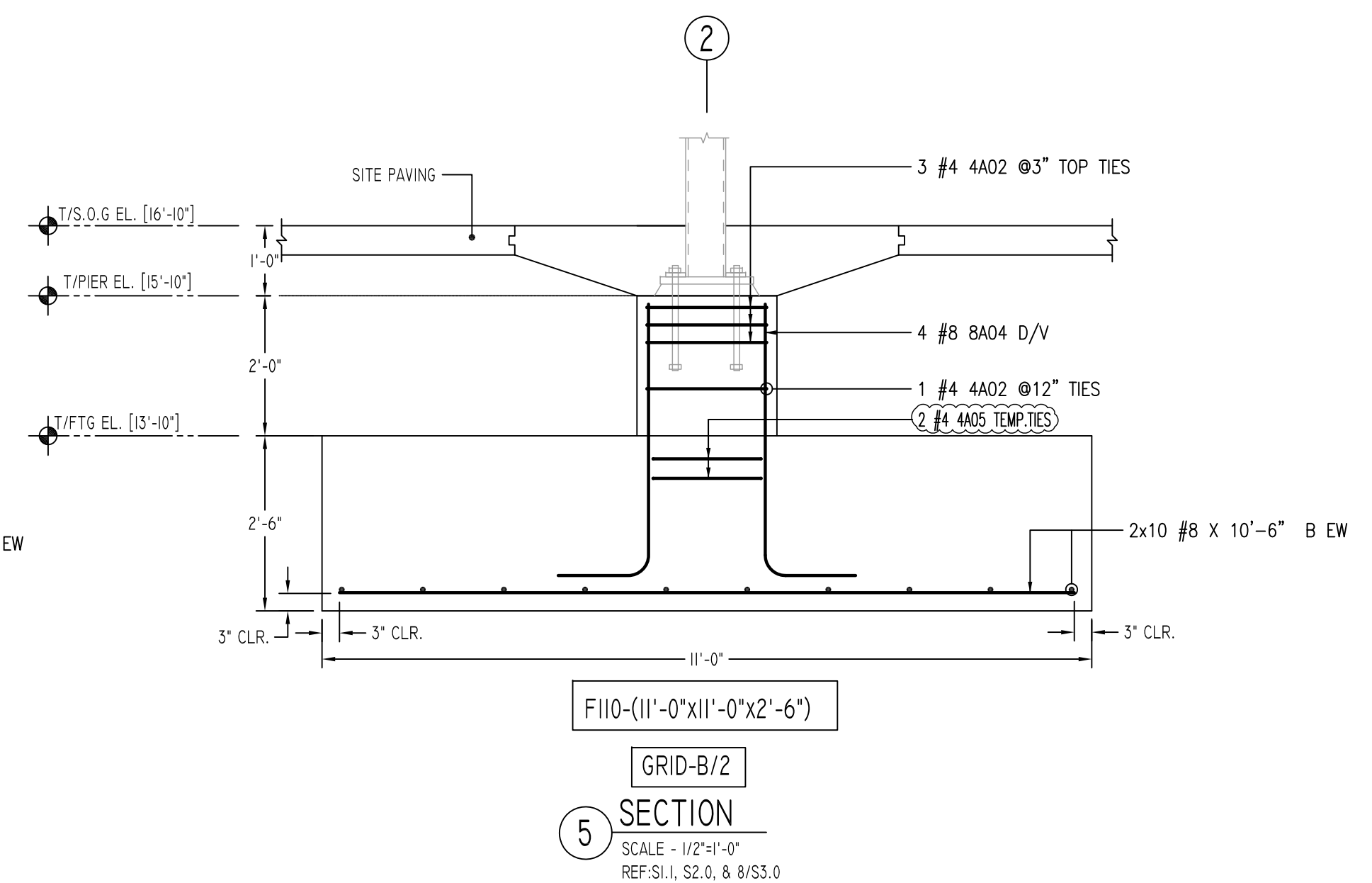
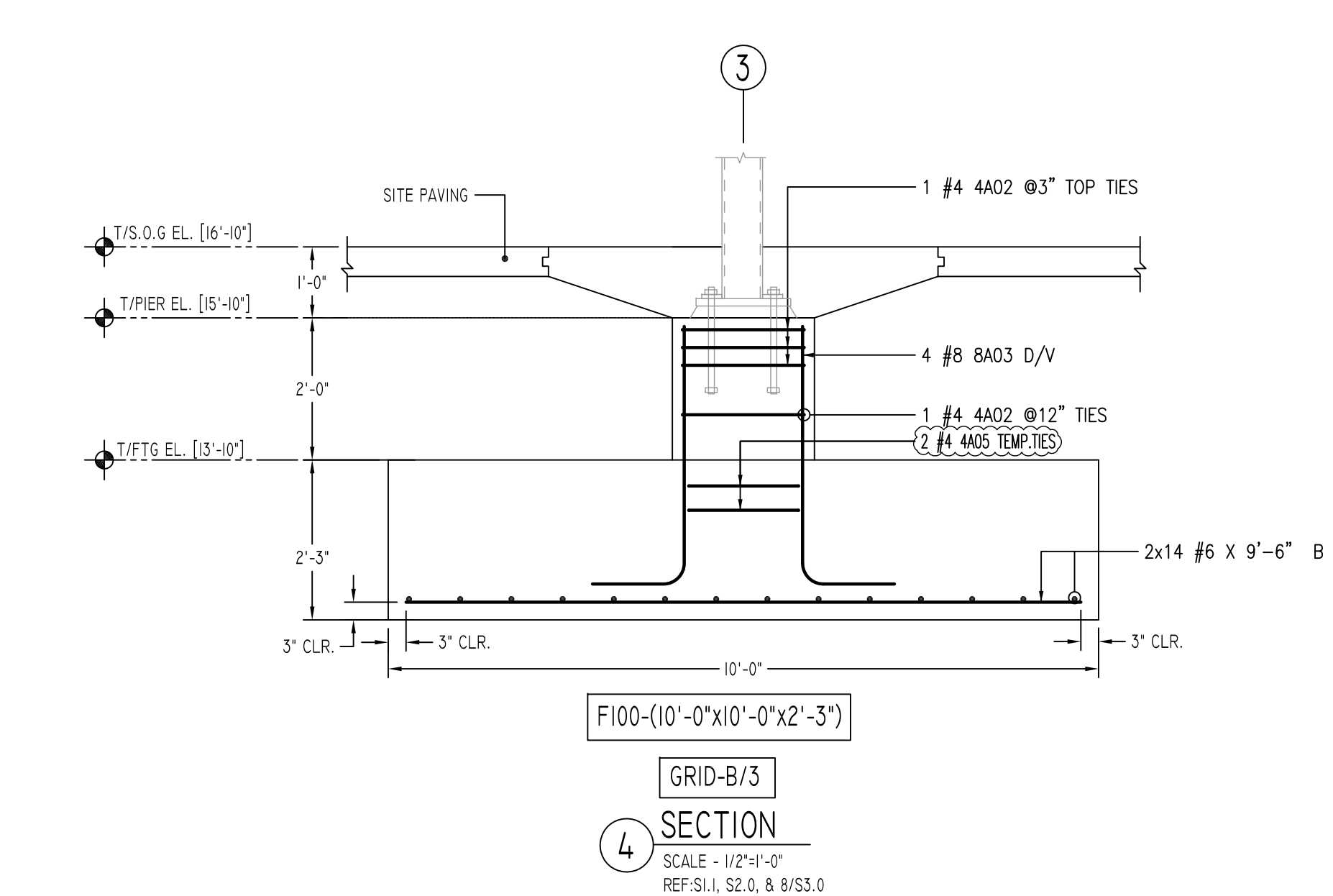
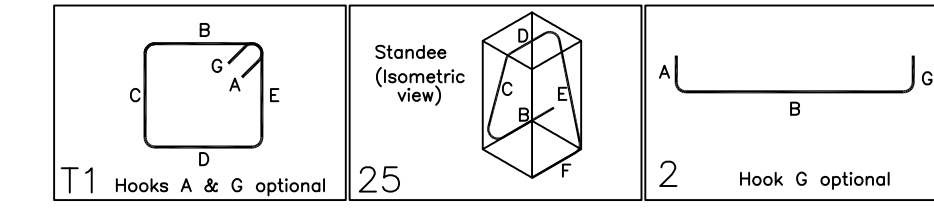
REINFORCING STEEL PLACING DRAWINGS ONLY USE IN CONJUNCTION WITH CONTRACT DRAWINGS & SPECIFICATIONS. ELEVATIONS & DIMENSIONS SHOWN ON THIS DRAWING ARE FOR DETAILING PURPOSES ONLY AND SHOULD NOT BE USED FOR CONSTRUCTION UNLESS VERIFIED BY ENGINEER OR CONTRACTOR.

REVISION MARK	REVISION DETAILS	DATE
0	FOR APPROVAL	03/02/2021

PROJECT	FAIRFIELDS STATION LOFTS		
LOCATION	FAIRFIELD, CT 06824		
ARCHITECT	GRANOFF ARCHITECTS		
ENGINEER	MICHAEL HORTON ASSOCIATES, INC.		
CUSTOMER	CONCRETE SUPERSTRUCTURE		
DRAWN BY:	DATE:	REVIEWED BY:	JOB NO.
KKL/MRS	03/02/21	T/L	21024
DRAWING TITLE:			DRAWING NO.:
FOUNDATION REINFORCEMENT DETAILS			RF-01



Bar Mark	Qty	Size	Total Length	Type	X'	Y'	Z'	W'	V'	U'	T'	S'	R'	Q'	P'	O'	N'	M'	L'	K'	J'	I'	H'	G'	F'	E'	D'	C'	B'	A'
4A01	4	#4	5'-4 1/2"	T1	0'-4 1/2"	1'-3"	1'-3"	1'-3"	1'-3"																					
4A02	30	#4	7'-4 1/2"	T1	0'-4 1/2"	1'-9"	1'-9"	1'-9"	1'-9"																					
4A03	8	#4	7'-8"	T5	0'-4 1/2"	1'-8"	1'-11"	0'-10"	1'-11"																					
4A04	2	#4	4'-10 1/2"	T1	0'-4 1/2"	1'-1 1/2"	1'-1 1/2"	1'-1 1/2"	1'-1 1/2"																					
4A05	16	#4	6'-8 1/2"	T1	0'-4 1/2"	1'-7"	1'-7"	1'-7"	1'-7"																					
6A01	4	#6	3'-8"	T2	1'-0"	2'-8"																								
8A01	16	#8	4'-8"	T2	1'-4"	3'-2"																								
8A02	4	#8	4'-9"	T2	1'-4"	3'-2"																								
8A03	4	#8	5'-0"	T2	1'-4"	3'-8"																								
8A04	8	#8	5'-3"	T2	1'-4"	3'-11"																								



FOUNDATION WALL REINFORCEMENT DETAILS
REFER DWG RFW-01A TO RFW-01C

FOUNDATION WALL REINFORCEMENT DETAILS
REFER DWG RFW-01D TO RFW-01F

FIRST FLOOR SLAB ON GRADE REINFORCEMENT DETAILS
REFER DWG RS-01

SECOND FLOOR SLAB ON DECK REINFORCEMENT DETAILS
REFER DWG RS-02

ALL BARS IN THIS DRAWING
ASTM A615 GRADE 60
BLACK UNCOATED

LOCATION	MIN. COVER
FOOTINGS AGAINST EARTH	3"
COLUMN & PIER (VERTICAL REINF.)	2"
WALLS INTERIOR FACE	3/4"
WALLS EXTERIOR FACE (#5 & SMALLER)	1-1/2"
WALLS EXTERIOR FACE (#6 & LARGER)	2"
SLAB ON GRADE	1/3-THK FROM TOP OF SURFACE
SLABS (EXTERIOR)	3/4"
SLABS (INTERIOR)	1-1/2"

SIZE	3000 PSI		4000 PSI	
	TOP	OTHERS	TOP	OTHERS
#3	28"	22"	24"	19"
#4	37"	29"	32"	25"
#5	47"	36"	40"	31"
#6	56"	43"	48"	37"
#7	81"	63"	70"	54"
#8	93"	72"	80"	62"
#9	105"	81"	91"	70"
#10	118"	91"	102"	79"
#11	131"	101"	113"	87"

MARK	FOOTING SIZE			REINF. WAY		REMARK
	LENGTH	WIDTH	THICKNESS	NO	SIZE	
F30	3'-0"	3'-0"	1'-3"	4	#5	-
F40A	4'-6"	4'-0"	1'-3"	5	#6	-
F80	8'-0"	8'-0"	1'-9"	9	#6	-
F90	9'-0"	9'-0"	2'-0"	12	#6	-
F100	10'-0"	10'-0"	2'-3"	14	#6	-
F110	11'-0"	11'-0"	2'-6"	10	#8	(12)-#6 TOP REINF EW @ B-4

Abbreviations:
 IF=Inside Face
 OF=Outside Face
 EF=Each Face
 DWLS=Dowels
 V=Vertical
 H=Horizontal
 COR=Corner
 SLAB DWLS=Slab Dowels
 EW=Each Way
 B=Bottom
 T=Top
 M DWL= Masonry Dowel
 BB=Bond Beam
 ALT. Alternate
 APPROX. Approximate
 ES=Each Side

OPNG=Opening
 BAL= Balance
 BTW=Between
 CJ=Construction Joint
 CLR= CLEARANCE
 CMU= Concrete Masonry Unit
 CONT=Continuous
 Elev=Elevation
 EMBED=Embedment
 SW = Short Way
 LW=Long Way
 BL=Black Bar
 EP=Epoxy Bar
 GA=Galvanized
 TB= Threaded Bar
 CB= Coupler Bar

NOTICE

Shortages, improper fabrication or claims for any other reason must be reported to this company within a period of 15 days of delivery. This company reserves the right to field inspect prior to replacement or reconditioning of nonconforming material, and will not honor charges for work done in the field without specific authorization from this company.

REINFORCING STEEL PLACING DRAWINGS ONLY USE IN CONJUNCTION WITH CONTRACT DRAWINGS & SPECIFICATIONS. ELEVATIONS & DIMENSIONS SHOWN ON THIS DRAWING ARE FOR DETAILING PURPOSES ONLY AND SHOULD NOT BE USED FOR CONSTRUCTION UNLESS VERIFIED BY ENGINEER OR CONTRACTOR.

REVISION MARK	REVISION DETAILS	DATE
0	FOR APPROVAL	03/02/2021

PROJECT	FAIRFIELDS STATION LOFTS
LOCATION	FAIRFIELD, CT 06824
ARCHITECT	GRANOFF ARCHITECTS
ENGINEER	MICHAEL HORTON ASSOCIATES, INC.
CUSTOMER	CONCRETE SUPERSTRUCTURE
DRAWN BY:	KKL/MRS
DATE:	03/02/21
REVIEWED BY:	T/L
JOB NO.	21024
DRAWING TITLE:	FOUNDATION & DOWELS REINFORCEMENT DETAILS
DRAWING NO.:	RF-01A