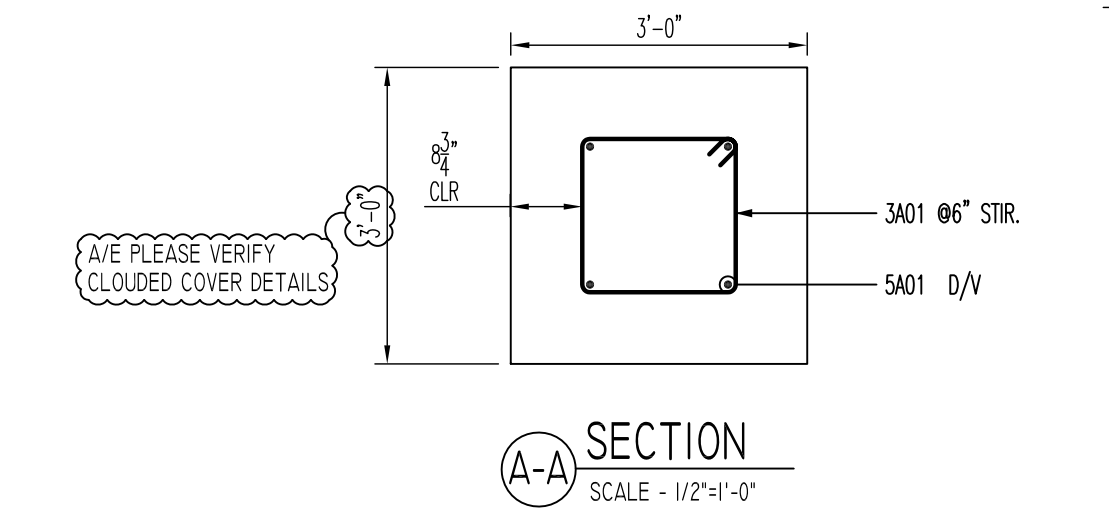
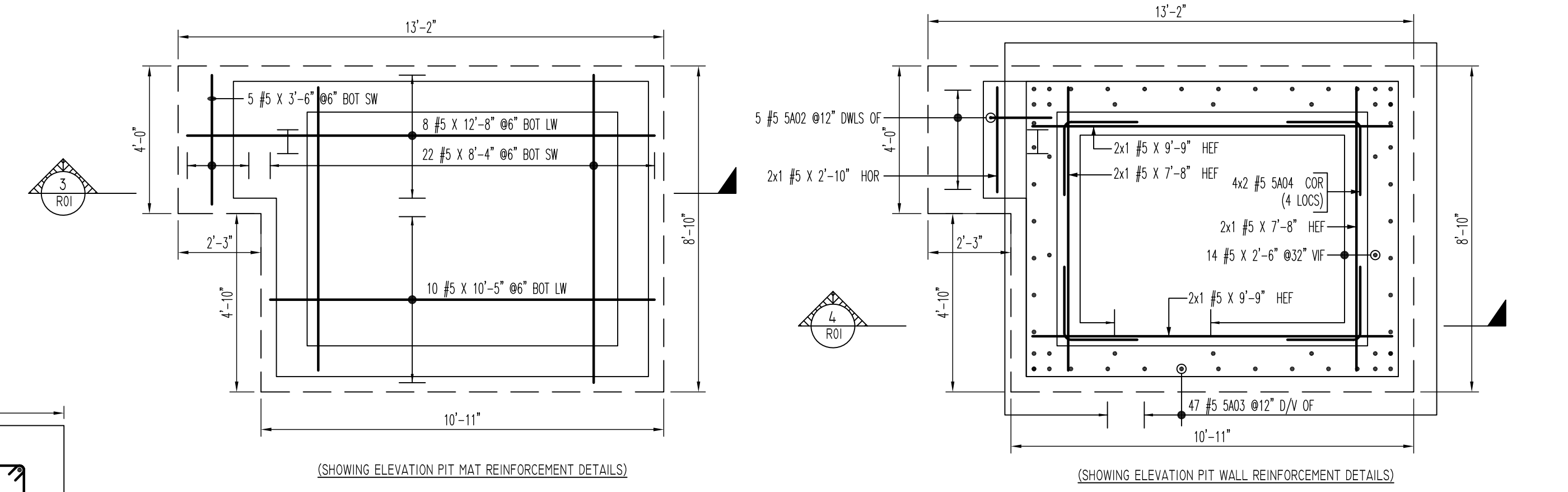
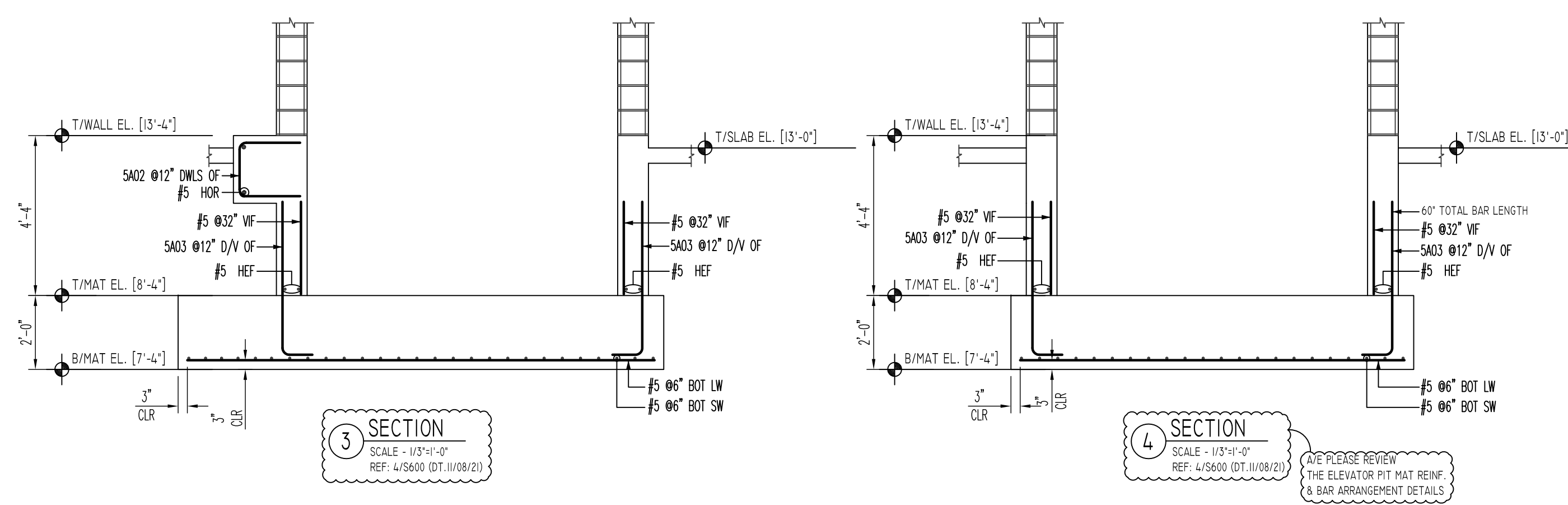


BUILDING-A COLUMN FOOTING REINFORCEMENT DETAILS
 SCALE: 1/8" = 1'-0"
 REF: S100 (DT.03/08/22)

Release Number: R01		BONDING DETAILS										
Bar Mark	Qty	Size	Total Length	Type	X	Y	Z	W	V	U	T	S
SA01	44	#3	7'-0"	T1	0'-4"	1'-7"	1'-7"	1'-7"	1'-7"	0'-4"		
SA02	3	#5	3'-10"	2	0'-10"	3'-6"	1'-8"	1'-8"				
SA03	47	#5	3'-0"	2	0'-10"	4'-0"	4'-0"					
SA04	8	#5	4'-0"	17	2'-0"	2'-0"	2'-0"					

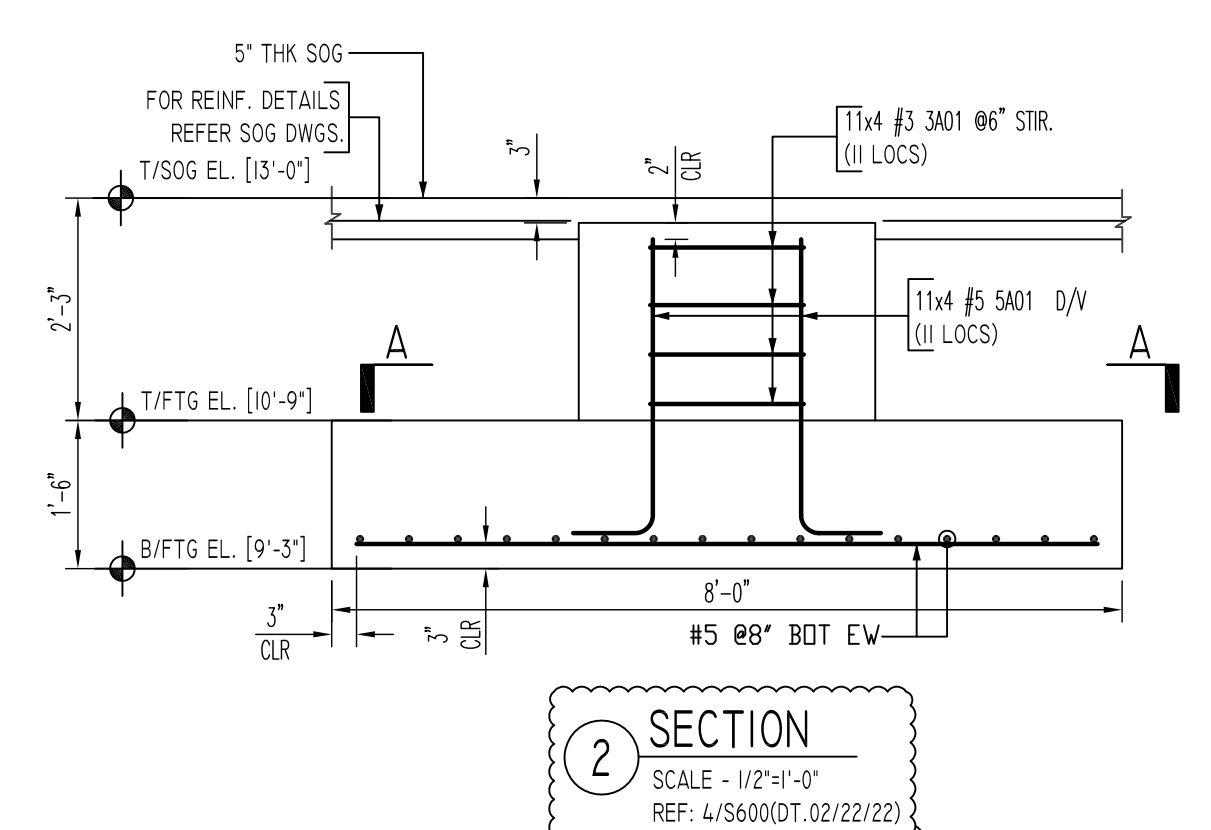
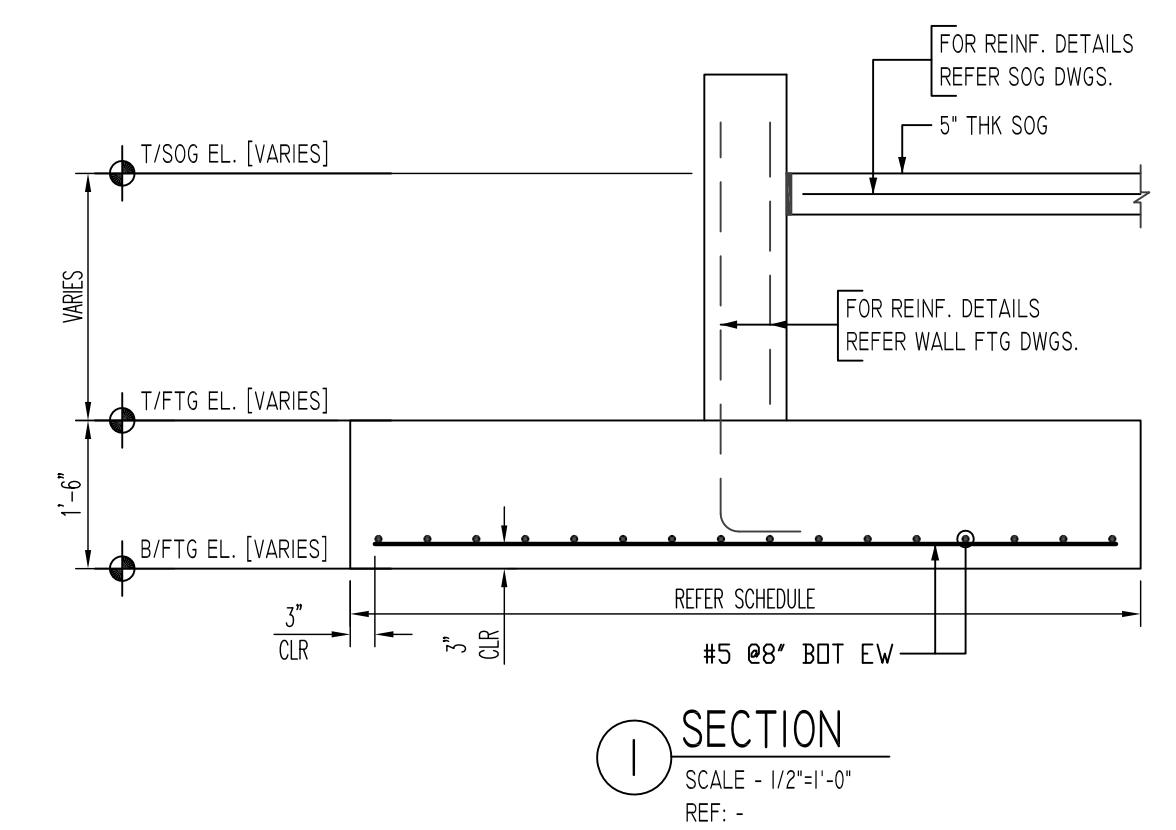
LAP SCHEDULE		
SIZE	3000 PSI	
	TOP	OTHERS
#3	28"	22"
#4	37"	29"
#5	47"	36"
#6	56"	43"
#7	81"	63"
#8	93"	72"
#9	105"	81"
#10	118"	91"
#11	131"	101"

ALL BARS IN THIS DRAWING
 ASTM A615 GRADE 60
 BLACK UNCOATED



FOOTING SCHEDULE				
MARK	QTY	SIZE(LxBxD)	REINFORCING	REMARK
FTG(4'-0"X4'-0")	6	4'-0"X4'-0"X1'-6"	6x2x8 #5 X 3'-8" #6 BOT EW	REFER SECTION-1
FTG(6'-0"X6'-0")	12	6'-0"X6'-0"X1'-6"	12x2x12 #5 X 5'-6" #6 BOT EW	REFER SECTION-1
FTG(8'-0"X8'-0")	5	8'-0"X8'-0"X1'-6"	5x2x13 #5 X 7'-6" #6 BOT EW	REFER SECTION-2
FTG(16'-8"X8'-0")	2	16'-8"X8'-0"X1'-6"	2x25 #5 X 7'-6" #6 BOT SW 2x13 #5 X 16'-2" #6 BOT LW	REFER SECTION-2
FTG(16'-6"X8'-0")	1	16'-6"X8'-0"X1'-6"	25 #5 X 7'-6" #6 BOT SW 13 #5 X 16'-0" #6 BOT LW	REFER SECTION-2
FTG-A(4'-0"X4'-0")	2	4'-0"X4'-0"X1'-0"	2x24 #5 X 3'-6" #6 BOT EW	REFER SECTION-1

A/E PLEASE VERIFY THE CLOUDED FTG SIZE & REINF. DETAILS



Abbreviations:
 I.F.=Inside Face
 O.F.=Outside Face
 E.F.=Each Face
 D/WL=Dowel
 V=Vertical
 H=Horizontal
 C.B.=Corner Bar
 S.D.WL.=Slab Dowel
 E.W.=Each Way
 B/BOT.=Bottom
 T=Top
 MDWL.=Masonry Dowel
 B.B.=Bond Beam
 ALT.=Alternate
 Approx.=Approximate

OPNG=Opening
 BAL.=Balance
 BTW.=Between
 C.=Construction Joint
 CLR.=CLEARANCE
 CMU.=Concrete Masonry Unit
 CONT.=Continuous
 EA.=Each
 Elev.=Elevation
 EMB.=Embedment
 SW.=Short Way
 LW.=Long Way
 (BL)=Black Bar
 (EP)=Epoxy Bar
 (GA)=Galvanized

NOTICE
 Shortages, improper fabrication or claims for any other reason must be reported to this company within a period of 15 days of delivery. This company reserves the right to field inspect prior to replacement or reconditioning of nonconforming material, and will not honor charges for work done in the field without specific authorization from this company.

REINFORCING STEEL PLACING DRAWINGS ONLY USE IN CONJUNCTION WITH CONTRACT DRAWINGS & SPECIFICATIONS. ELEVATIONS & DIMENSIONS SHOWN ON THIS DRAWING ARE FOR DETAILING PURPOSES ONLY AND SHOULD NOT BE USED FOR CONSTRUCTION UNLESS VERIFIED BY ENGINEER OR CONTRACTOR.

REVISION MARK	REVISION DETAILS	DATE
0	FOR APPROVAL	03/23/2022

PROJECT	MARINERS LANDING
LOCATION	60 MAPLE STREET, BRANFORD, CT
ARCHITECT	CHARLES GEORGIE ASSOCIATES
ENGINEER	CHARLES GEORGIE ASSOCIATES
CUSTOMER	CHERRY HILL INC

DRAWN BY:	DATE:	REVIEWED BY:	JOB NO.:
GOW/MRS	03/23/22	T/L	22016

DRAWING TITLE:	DRAWING NO.:
BUILDING-A SPREAD FOOTING & ELEVATOR PIT REINFORCEMENT DETAILS	R01