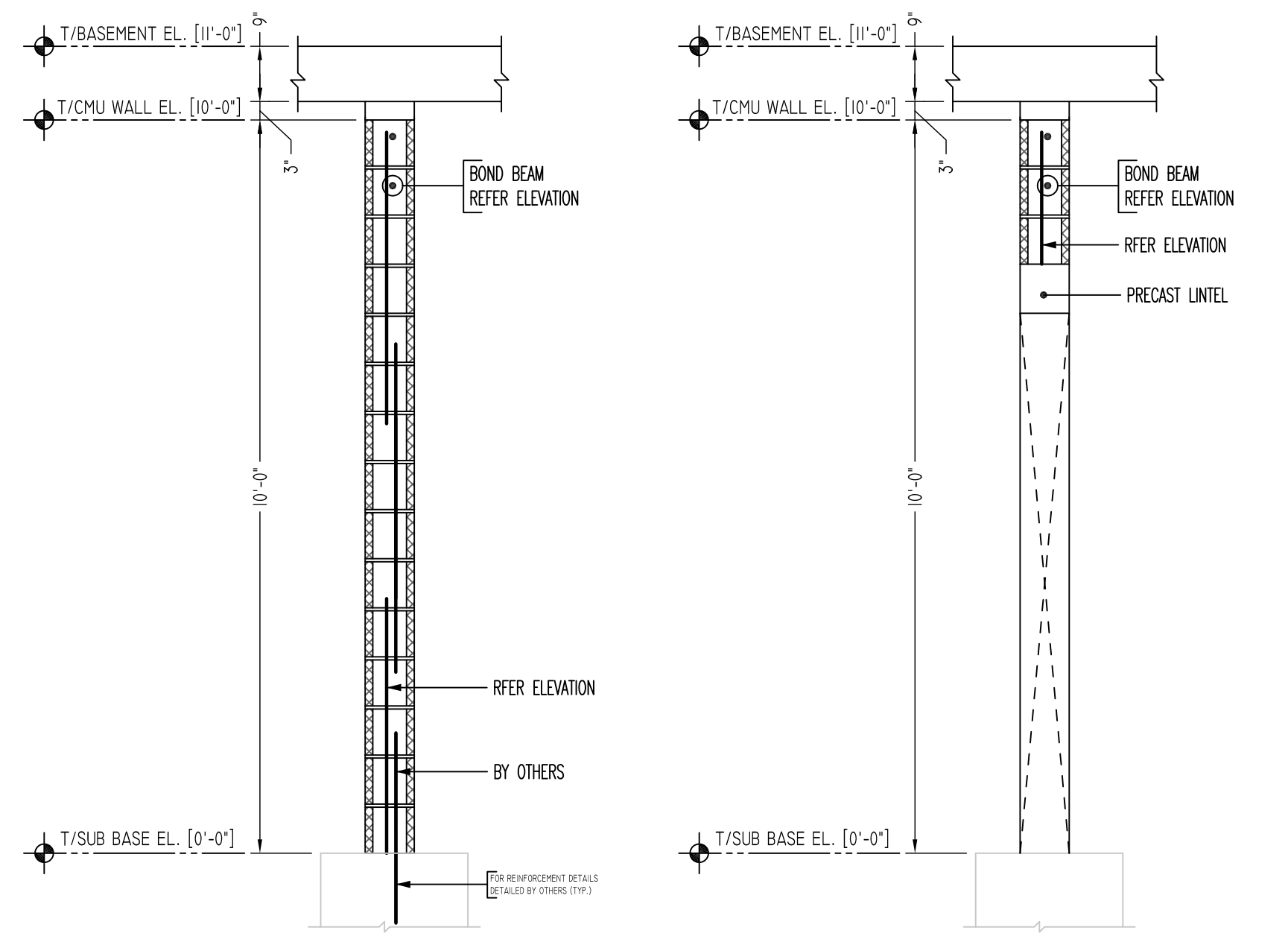


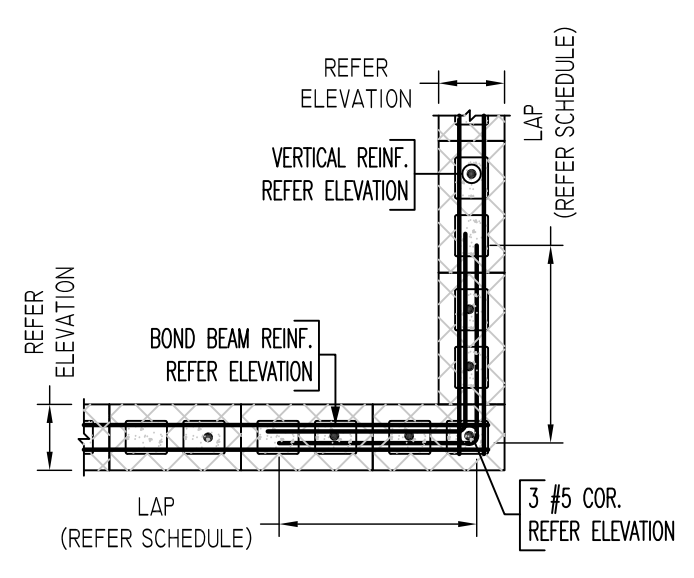
SUB BASEMENT TO FIRST FLOOR CMU WALL LAYOUT

SCALE - 1/8"=1'-0"
REF: A-100A, A-100SB

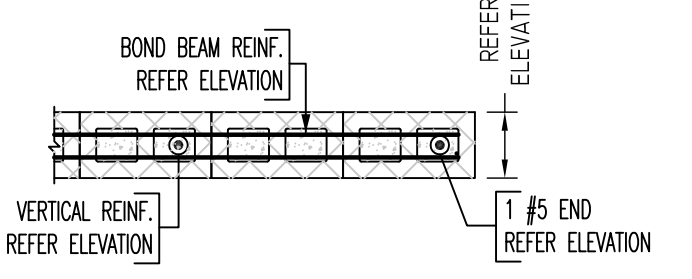


TYPICAL CMU WALL SECTION DETAILS

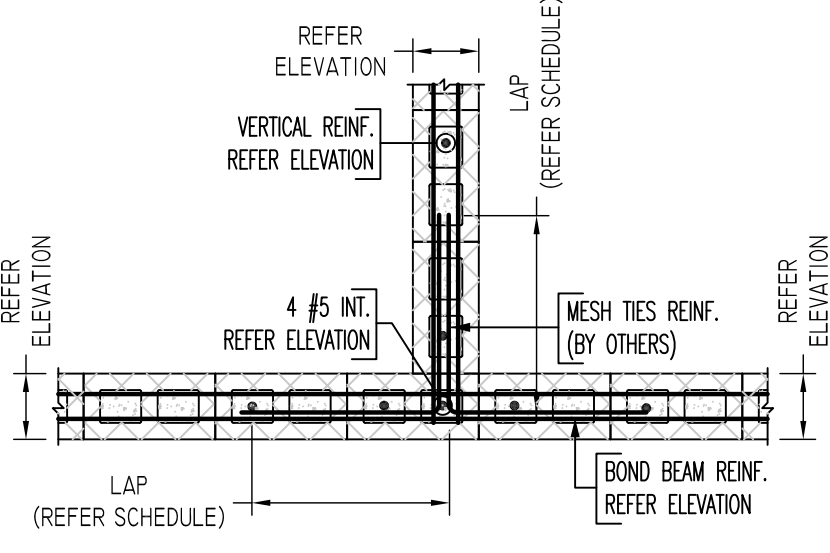
SCALE: 1/2"=1'-0"
REF: -



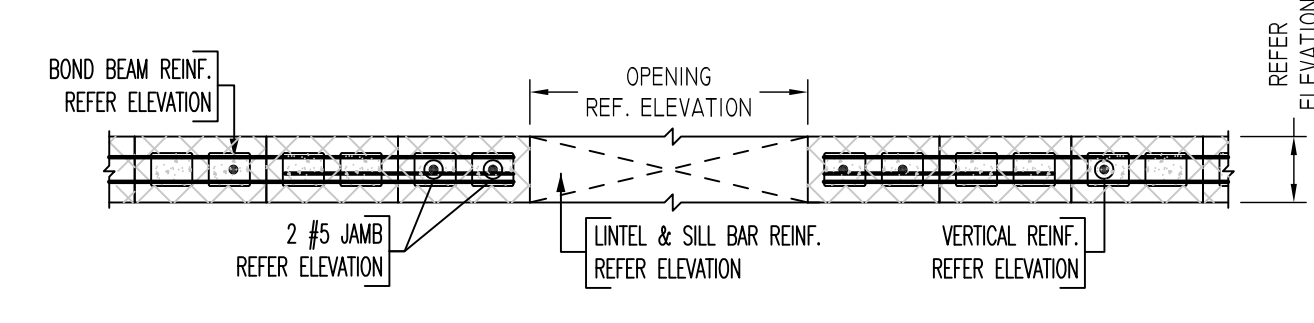
(REINFORCEMENT AT CORNER)



(REINFORCEMENT AT END)



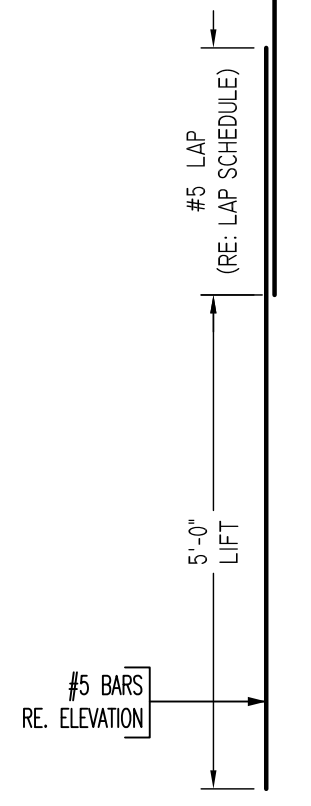
(REINFORCEMENT AT INTERSECTION)



(REINFORCEMENT AT OPENING)

TYPICAL CMU WALL DETAILS

SCALE: 1/2"=1'-0"
REF: -



TYPICAL VERTICAL BAR LAPPING DETAIL

**ALL BARS IN THIS DRAWING
ASTM A615 GRADE 60
BLACK UNCOATED**

LEGEND

- NO. OF LOCATION
- NO. OF LIFT
- NO. OF BARS
- 2x2x1 #5x6'-6\"/>
- NO. OF LIFT (OR) NO. OF LOCATION
- NO. OF BARS
- 2x1 #5x6'-6\"/>
- LIFT 1 TO LIFT 5
- 2x1 #5x6'-6\"/>

LAP SCHEDULE

SIZE	48\"/>
#3	18"
#4	24"
#5	30"
#6	36"
#7	42"
#8	48"
#9	55"
#10	61"
#11	68"

Abbreviations:

I.F.=Inside Face	OPNG=Opening
O.F.=Outside Face	BAL=Balance
E.F.=Each Face	BTW=Between
DWL=Dowel	CJ=Construction Joint
V=Vertical	CLR=CLEARANCE
H=Horizontal	CMU=Concrete Masonry Unit
C.B.=Corner Bar	CONT.=Continuous
S.DWL=Slab Dowel	EA=Each
E.W.=Each Way	Elev.=Elevation
B/BOT=Bottom	EMB=Embedment
T=Top	SW=Short Way
MDWL=Masonry Dowel	LW=Long Way
B.B.=Bond Beam	(BL)=Black Bar
ALT.=Alternate	(EP)=Epoxy Bar
Approx.=Approximate	(GA)=Galvanized

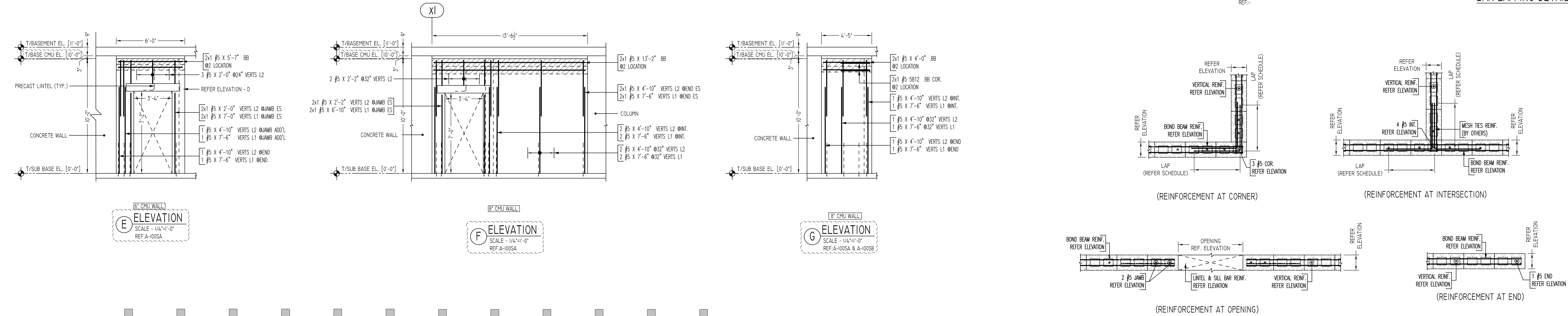
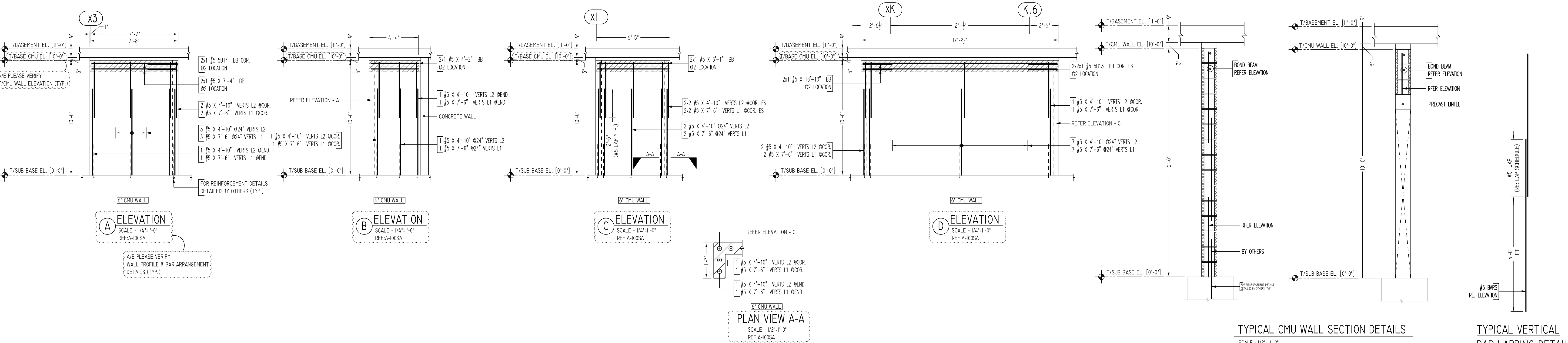
NOTICE

Shortages, improper fabrication or claims for any other reason must be reported to this company within a period of 15 days of delivery. This company reserves the right to field inspect prior to replacement or reconditioning of nonconforming material, and will not honor charges for work done in the field without specific authorization from this company.

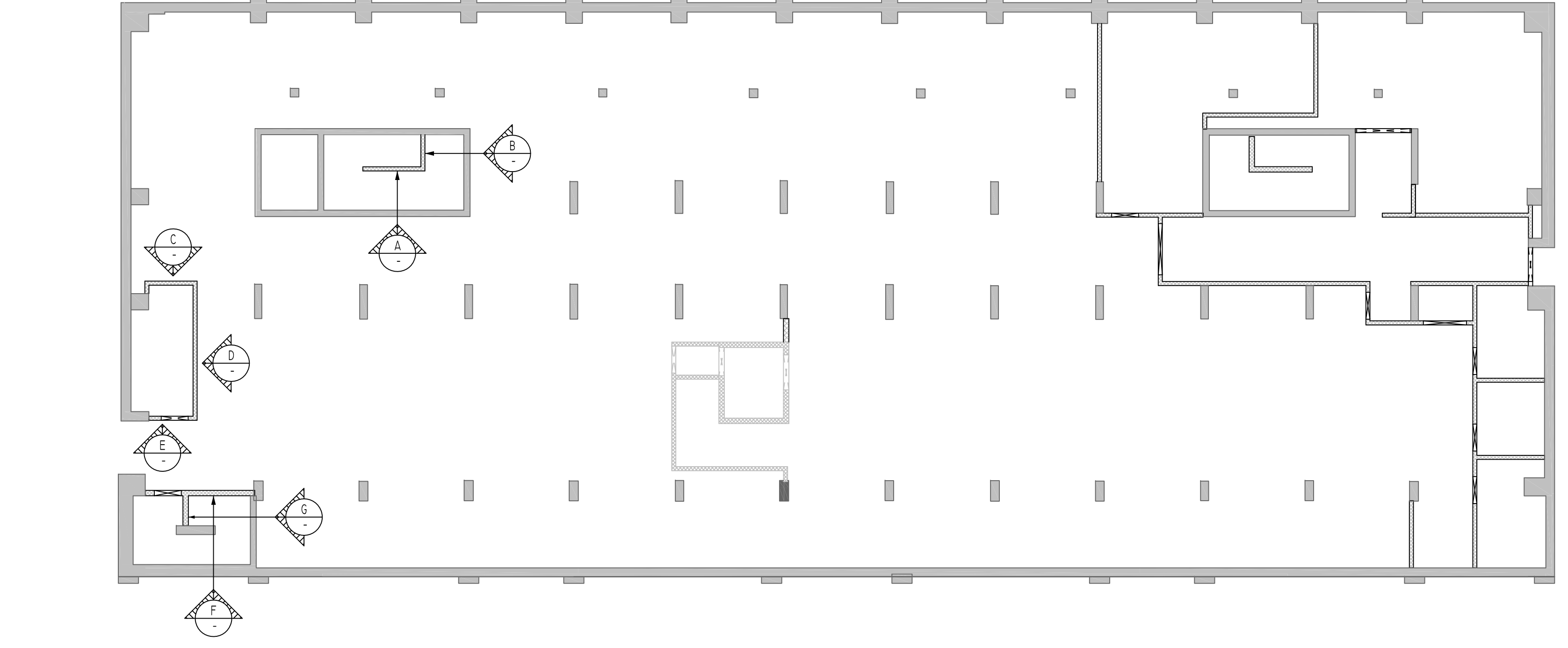
REINFORCING STEEL PLACING DRAWINGS ONLY USE IN CONJUNCTION WITH CONTRACT DRAWINGS & SPECIFICATIONS. ELEVATIONS & DIMENSIONS SHOWN ON THIS DRAWING ARE FOR DETAILING PURPOSES ONLY AND SHOULD NOT BE USED FOR CONSTRUCTION UNLESS VERIFIED BY ENGINEER OR CONTRACTOR.

REVISION MARK	REVISION DETAILS	DATE
0	FOR APPROVAL	05/19/2022

PROJECT	CBUP LEE BARRACKS						
LOCATION	28 FEDERAL PLAZA, NEW YORK, NY 10278						
ARCHITECT	-						
ENGINEER	US ARMY CORPS OF ENGINEERS						
CUSTOMER	ACRANOM MASONRY						
DRAWN BY:	VGS/MRS	DATE:	05/19/22	REVIEWED BY:	T/L	JOB NO.	22032
DRAWING TITLE:							DRAWING NO.:
SUB BASEMENT TO FIRST FLOOR CMU WALL REINFORCEMENT DETAILS							R04

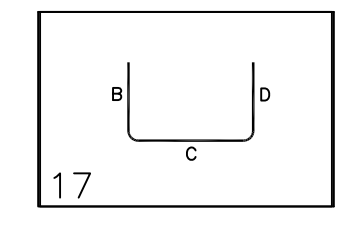


TYPICAL CMU WALL DETAILS
SCALE: 1/2" = 1'-0"
REF: -



Release Number: R05

Bar Mark	Qty	Size	Total Length	Type	X'	Y'	Z'	W'	V'	U'	T'	S'	R'	Q'	P'
S812	2	#5	5'-0"	17			2'-6"	2'-6"							
S813	4	#5	5'-0"	17			2'-6"	2'-6"							
S814	2	#5	5'-0"	17			2'-6"	2'-6"							



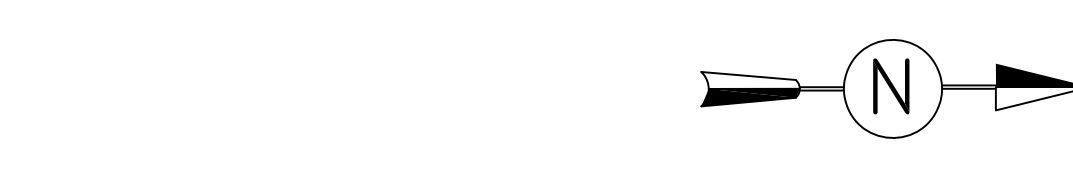
LEGEND

- NO. OF LOCATION
- NO. OF LIFT
- NO. OF BARS
- NO. OF LIFT (OR) NO. OF LOCATION
- NO. OF BARS
- LIFT 1 TO LIFT 5
- 2x1 #5x6"-6" VERTS L1-L5

LAP SCHEDULE

SIZE	48" LAP
#3	18"
#4	24"
#5	30"
#6	36"
#7	42"
#8	48"
#9	55"
#10	61"
#11	68"

ALL BARS IN THIS DRAWING
ASTM A615 GRADE 60
BLACK UNCOATED



SUB BASEMENT TO FIRST FLOOR CMU WALL LAYOUT
SCALE - NTS
REF: A-100A, A-100SB

Abbreviations:
I.F.=Inside Face
O.F.=Outside Face
E.F.=Each Face
DWL=Dowel
V=Vertical
H=Horizontal
C.B.=Corner Bar
S.DWL.=Slab Dowel
E.W.=Each Way
B/BOT.=Bottom
T=Top
MDWL.=Masonry Dowel
B.B.=Bond Beam
ALT.=Alternate
Approx.=Approximate

OPNG=Opening
BAL.=Balance
BTW.=Between
CJ.=Construction Joint
CLR.=CLEARANCE
CMU.=Concrete Masonry Unit
CONT.=Continuous
EA.=Each
Elev.=Elevation
EMB.=Embedment
SW.=Short Way
LW.=Long Way
(BL)=Black Bar
(EP)=Epoxy Bar
(GA)=Galvanized

NOTICE

Shortages, improper fabrication or claims for any other reason must be reported to this company within a period of 15 days of delivery. This company reserves the right to field inspect prior to replacement or reconditioning of nonconforming material, and will not honor charges for work done in the field without specific authorization from this company.

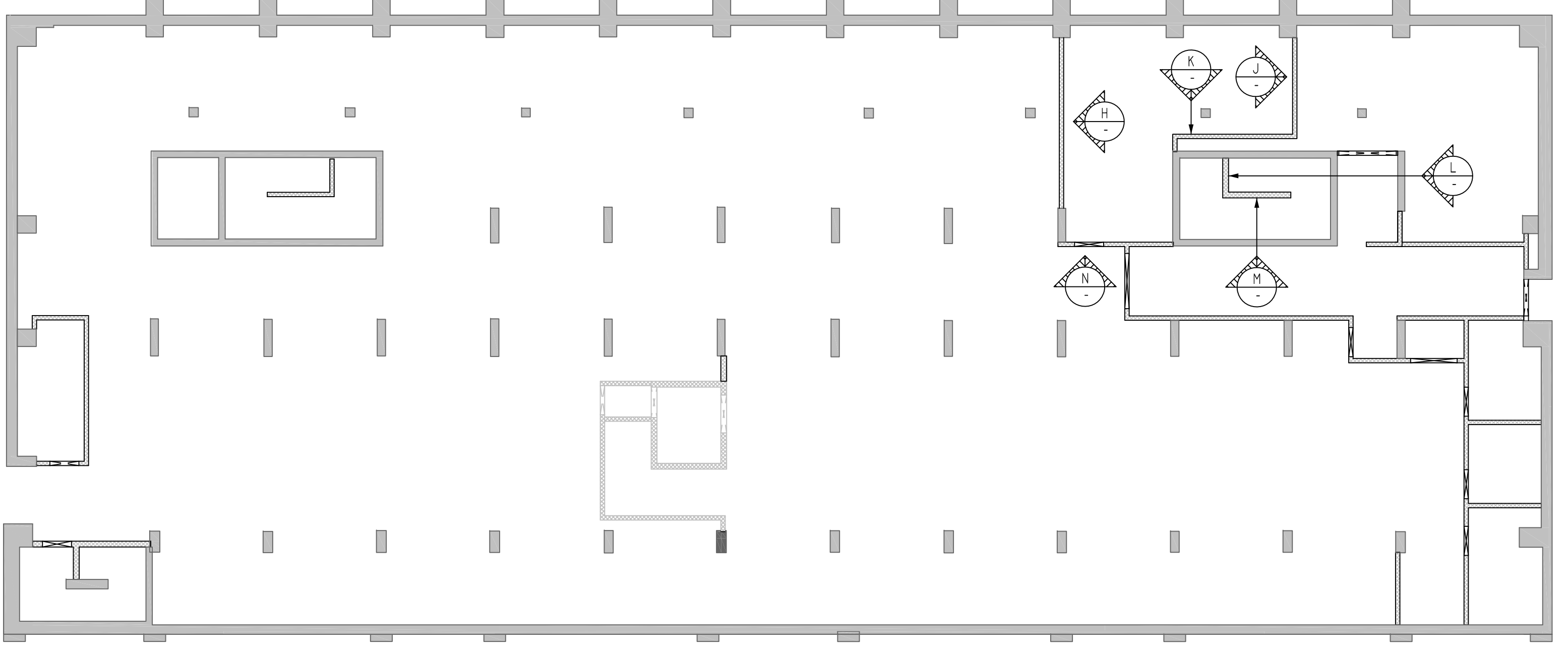
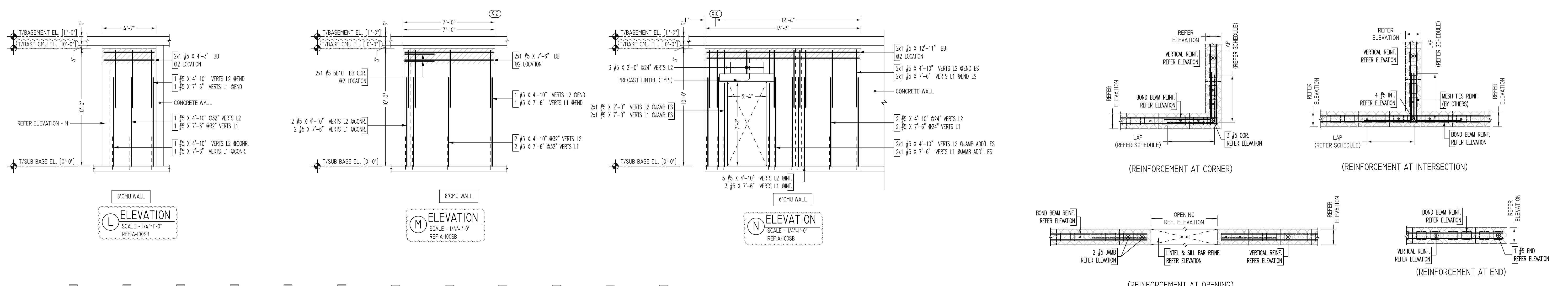
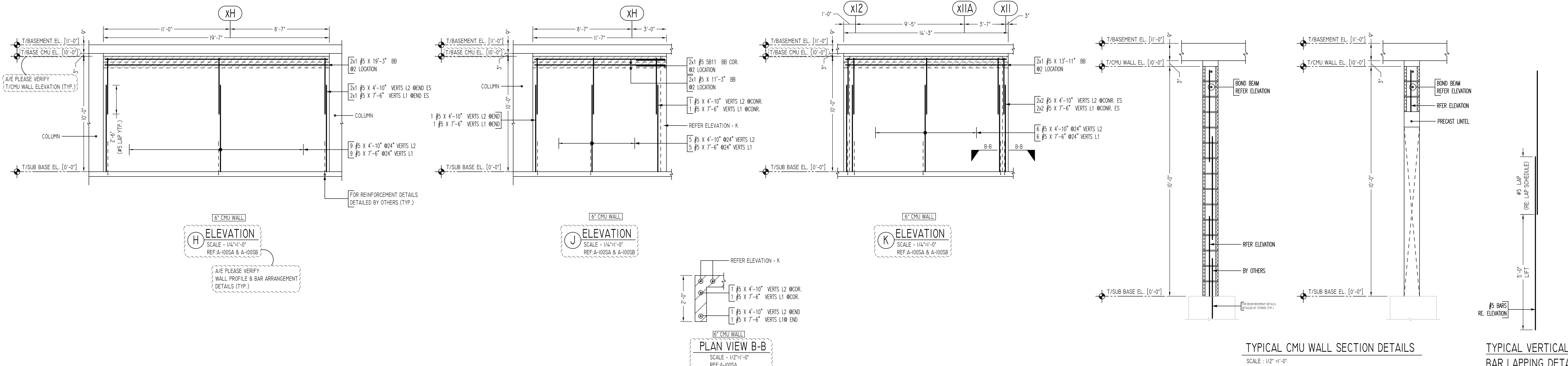
REINFORCING STEEL PLACING DRAWINGS ONLY USE IN CONJUNCTION WITH CONTRACT DRAWINGS & SPECIFICATIONS. ELEVATIONS & DIMENSIONS SHOWN ON THIS DRAWING ARE FOR DETAILING PURPOSES ONLY AND SHOULD NOT BE USED FOR CONSTRUCTION UNLESS VERIFIED BY ENGINEER OR CONTRACTOR.

REVISION MARK	REVISION DETAILS	DATE
0	FOR APPROVAL	05/19/2022

PROJECT: CBUP LEE BARRACKS
LOCATION: 28 FEDERAL PLAZA, NEW YORK, NY 10278
ARCHITECT: -
ENGINEER: US ARMY CORPS OF ENGINEERS
CUSTOMER: ACARANOM MASONRY

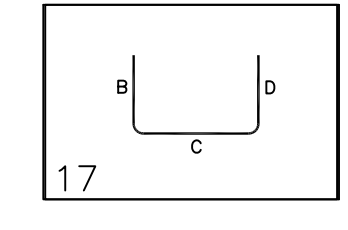
DRAWN BY: VGS/MRS
DATE: 05/19/22
REVIEWED BY: T/L
JOB NO.: 22032

DRAWING TITLE: SUB BASEMENT TO FIRST FLOOR CMU WALL REINFORCEMENT DETAILS
DRAWING NO.: R05



Release Number: R06

Bar Mark	Qty	Size	Total Length	Type	X'	Y'	Z'	X'	Y'	Z'	X'	Y'	Z'
SB10	2	#5	5'-0"	17			2'-6"			2'-6"			
SB11	2	#5	5'-0"	17			2'-6"			2'-6"			



TYPICAL CMU WALL DETAILS
SCALE: 1/2"=1'-0"
REF: -

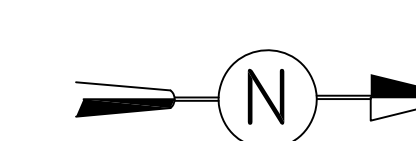
LEGEND

- NO. OF LOCATION
- NO. OF LIFT
- NO. OF BARS
- NO. OF LIFT (OR) NO. OF LOCATION
- NO. OF BARS
- 2x1 #5x6'-6" VERTS
- LIFT 1 TO LIFT 5
- 2x1 #5x6'-6" VERTS L1-L5

LAP SCHEDULE

SIZE	48 @ LAP
#3	18"
#4	24"
#5	30"
#6	36"
#7	42"
#8	48"
#9	55"
#10	61"
#11	68"

**ALL BARS IN THIS DRAWING
ASTM A615 GRADE 60
BLACK UNCOATED**



SUB BASEMENT TO FIRST FLOOR CMU WALL LAYOUT

SCALE - NTS
REF: A-100A, A-100SB

Abbreviations:
I.F.=Inside Face
O.F.=Outside Face
E.F.=Each Face
DWL=Dowel
V=Vertical
H=Horizontal
C.B.=Corner Bar
S.DWL.=Slab Dowel
E.W.=Each Way
B/BOT.=Bottom
T=Top
MDWL.=Masonry Dowel
B.B.=Bond Beam
ALT.=Alternate
Approx.=Approximate

OPNG=Opening
BAL.=Balance
BTW.=Between
CJ.=Construction Joint
CLR.=CLEARANCE
CMU.=Concrete Masonry Unit
CONT.=Continuous
EA.=Each
Elev.=Elevation
EMB.=Embedment
SW.=Short Way
LW.=Long Way
(BL)=Black Bar
(EP)=Epoxy Bar
(GA)=Galvanized

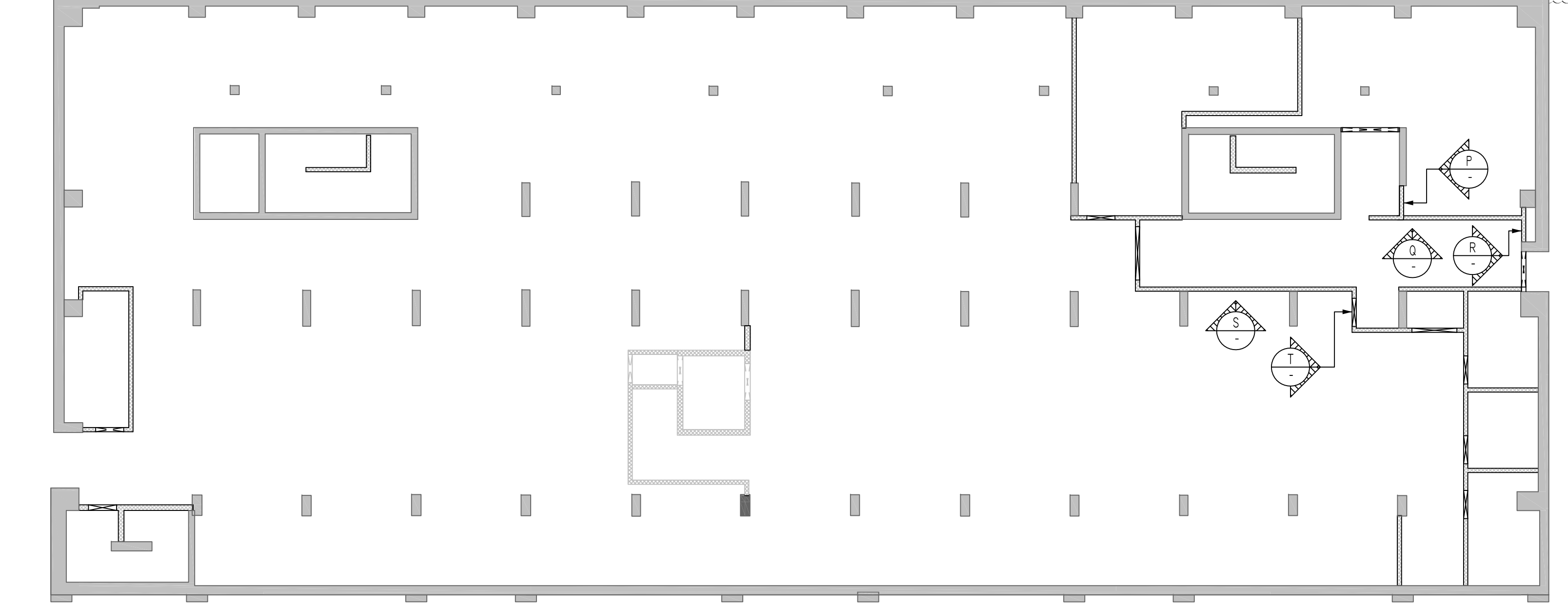
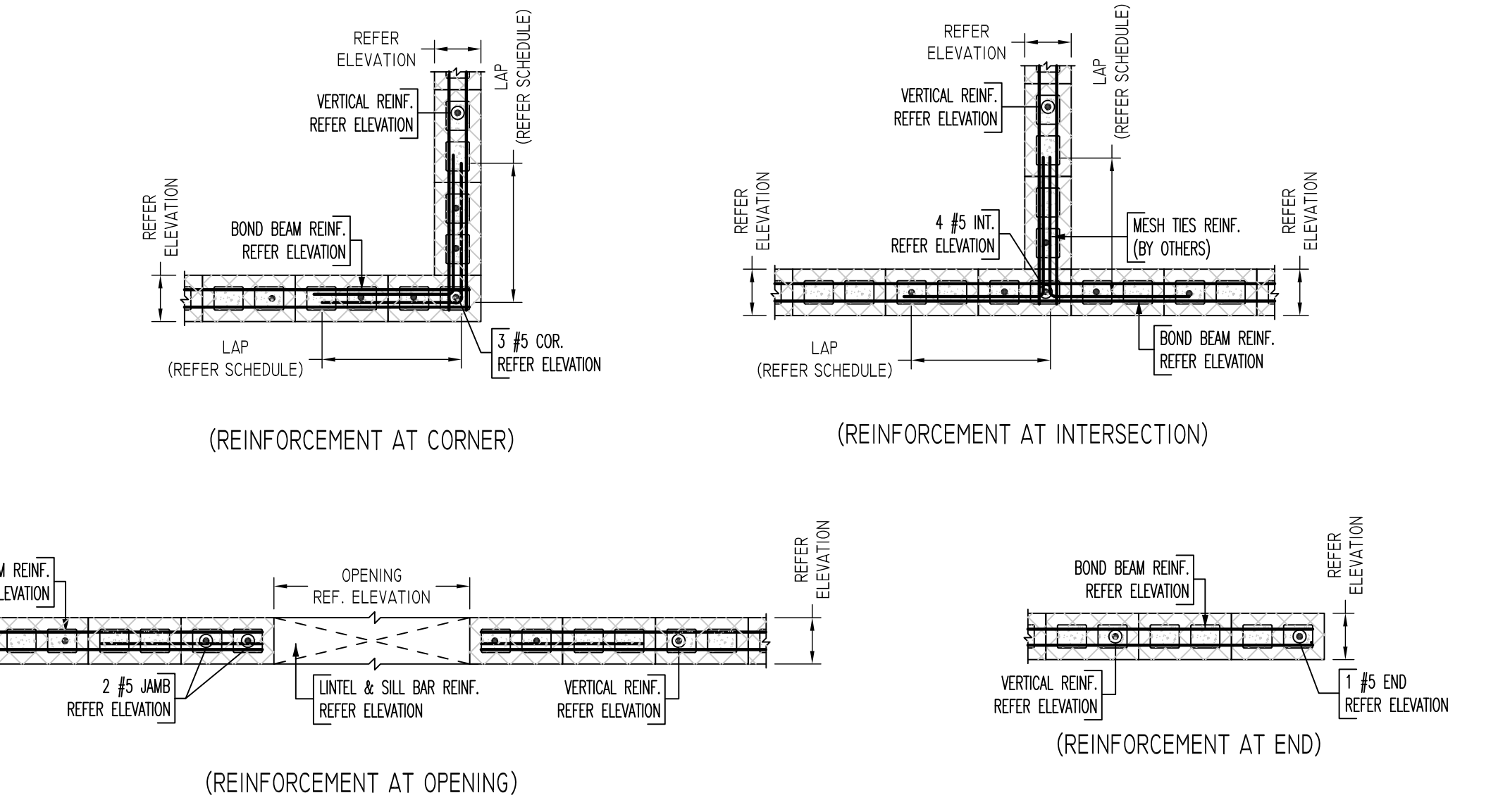
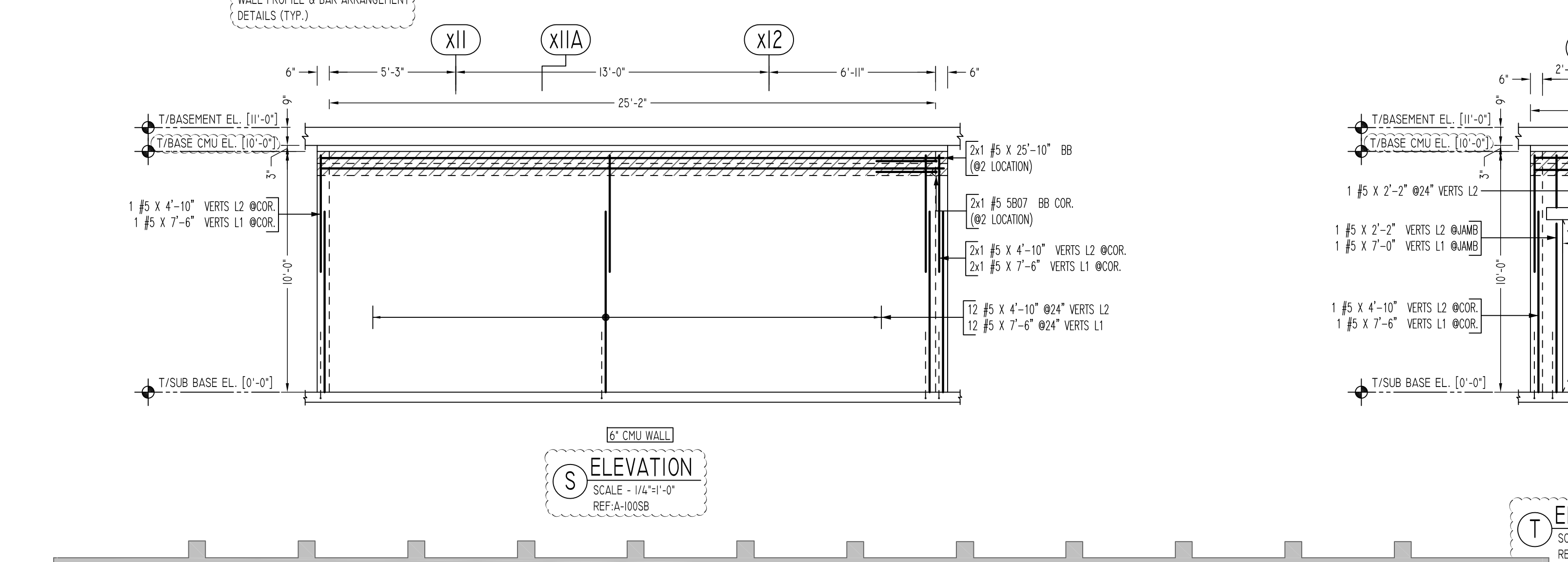
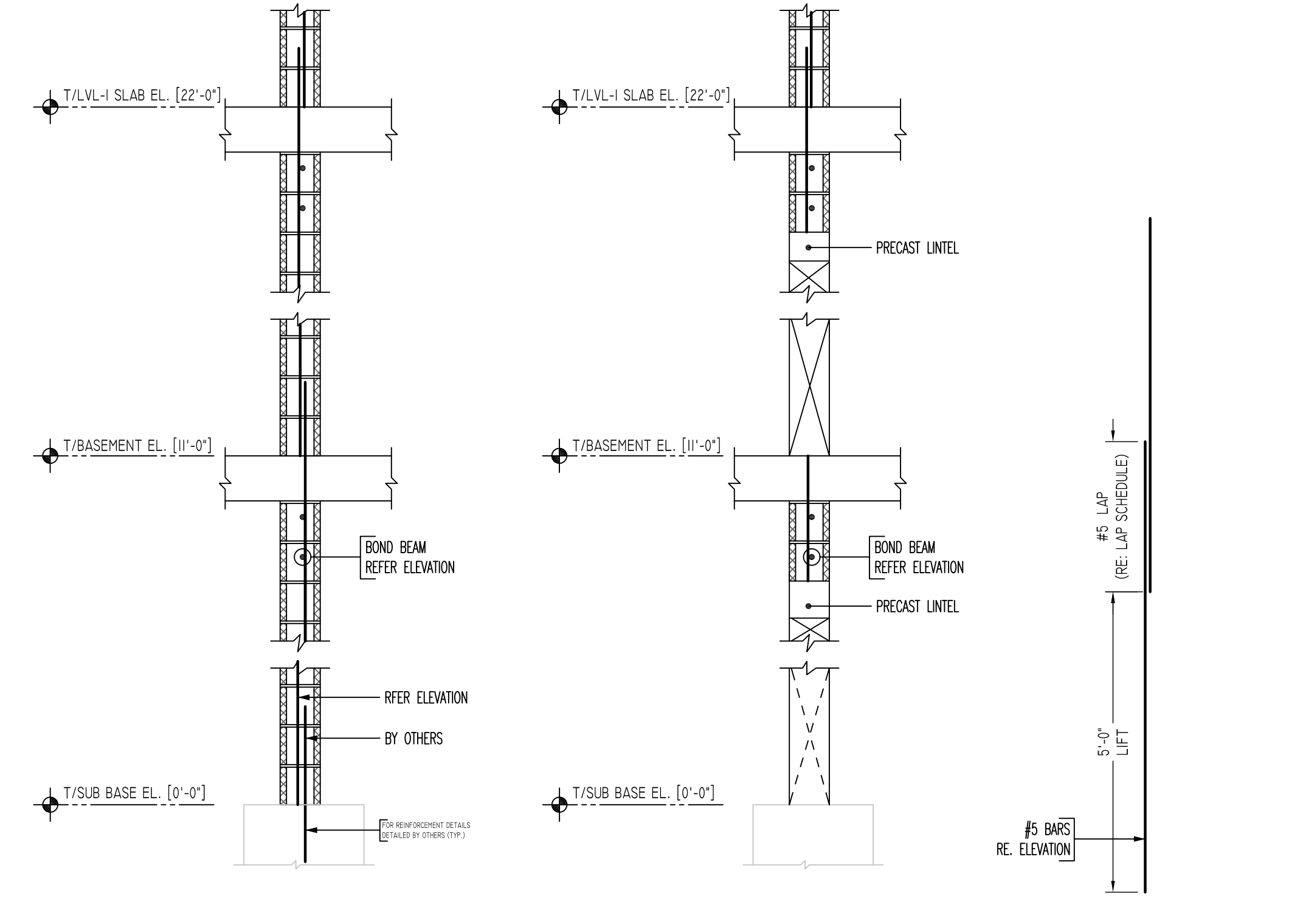
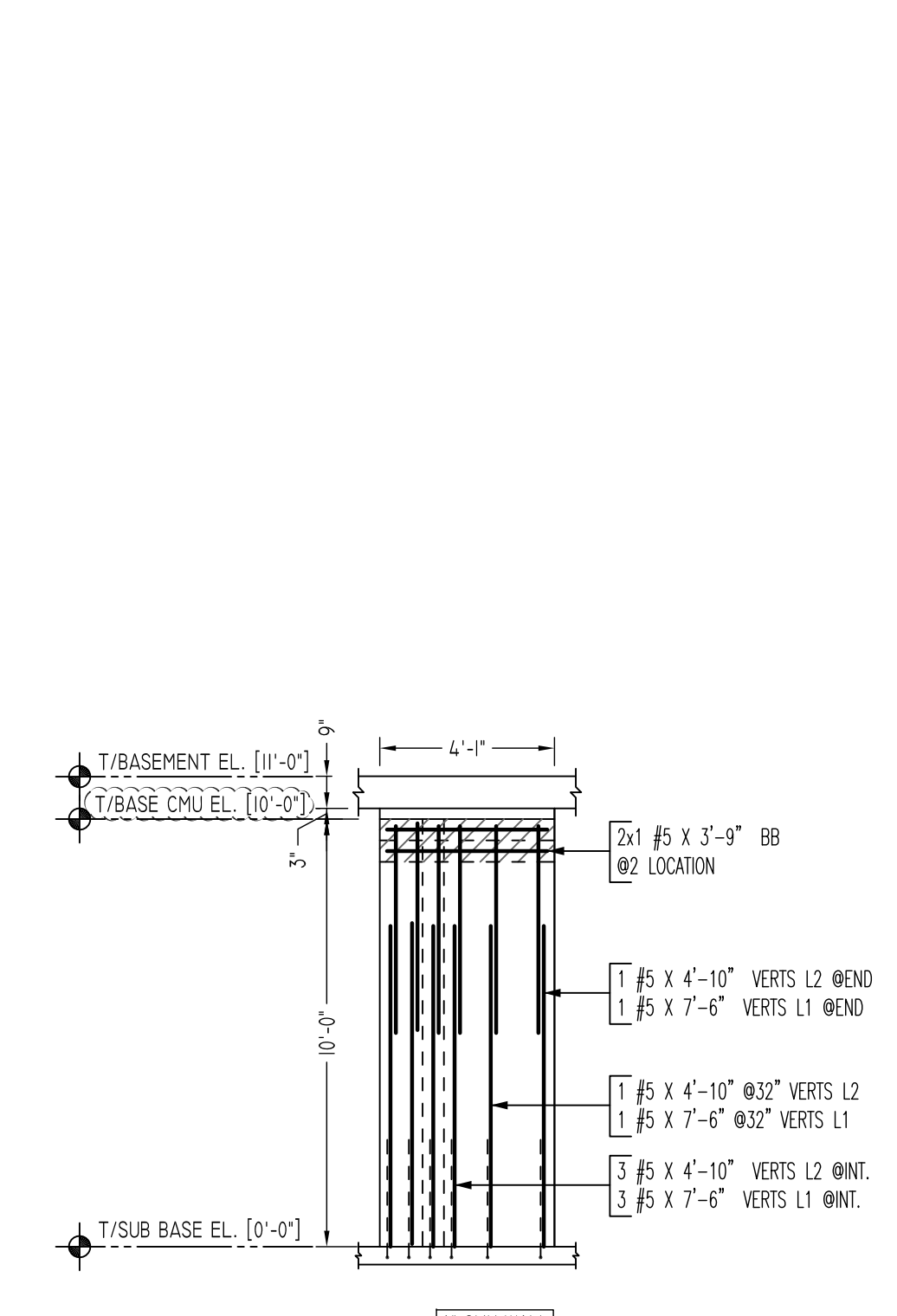
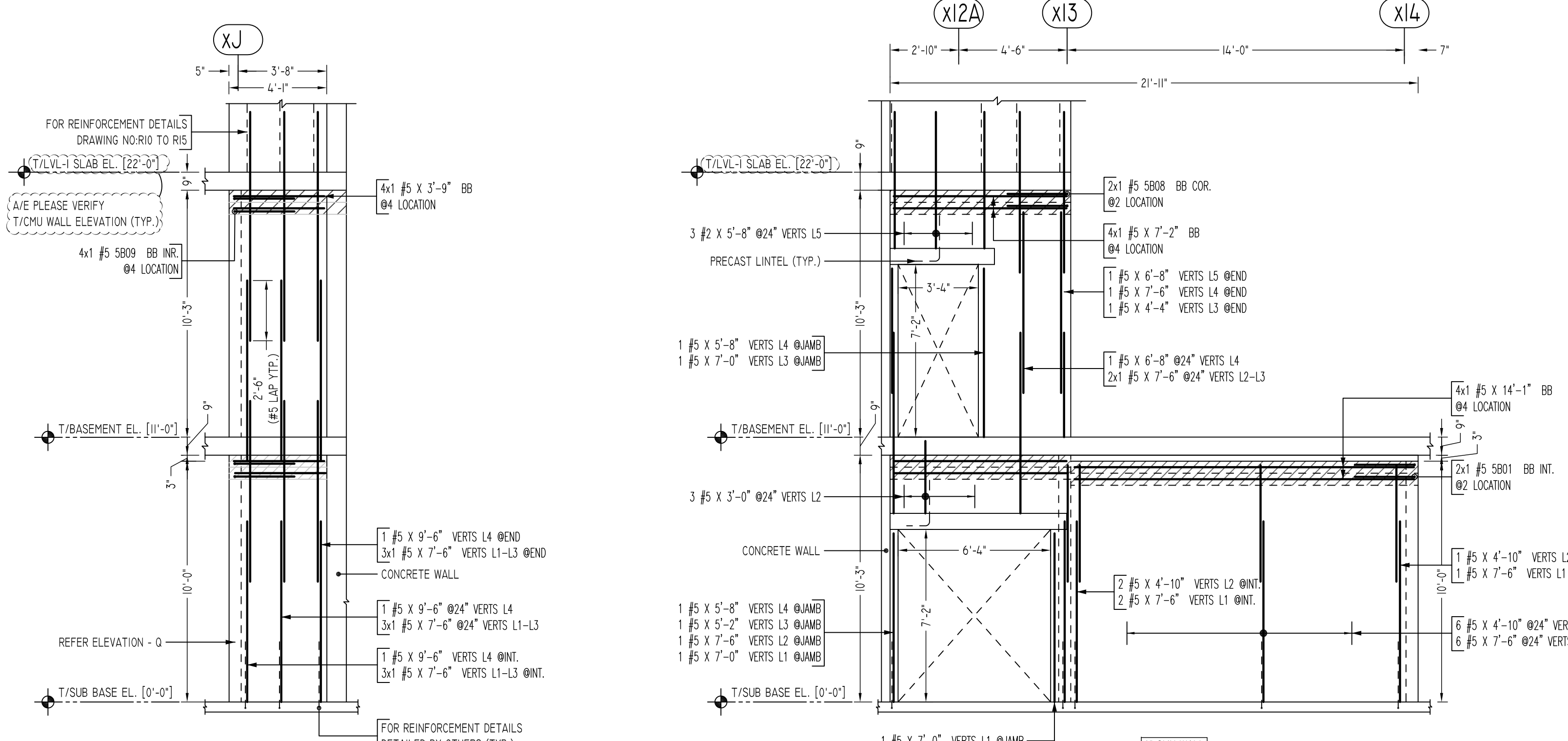
NOTICE

Shortages, improper fabrication or claims for any other reason must be reported to this company within a period of 15 days of delivery. This company reserves the right to field inspect prior to replacement or reconditioning of nonconforming material, and will not honor charges for work done in the field without specific authorization from this company.

REINFORCING STEEL PLACING DRAWINGS ONLY USE IN CONJUNCTION WITH CONTRACT DRAWINGS & SPECIFICATIONS. ELEVATIONS & DIMENSIONS SHOWN ON THIS DRAWING ARE FOR DETAILING PURPOSES ONLY AND SHOULD NOT BE USED FOR CONSTRUCTION UNLESS VERIFIED BY ENGINEER OR CONTRACTOR.

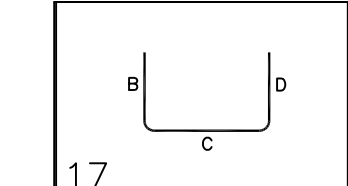
REVISION MARK	REVISION DETAILS	DATE
0	FOR APPROVAL	05/19/2022

PROJECT	CBUP LEE BARRACKS						
LOCATION	28 FEDERAL PLAZA, NEW YORK, NY 10278						
ARCHITECT	-						
ENGINEER	US ARMY CORPS OF ENGINEERS						
CUSTOMER	ACRANOM MASONRY						
DRAWN BY:	VGS/MRS	DATE:	05/19/22	REVIEWED BY:	T/L	JOB NO.:	22032
DRAWING TITLE:							DRAWING NO.:
SUB BASEMENT TO FIRST FLOOR CMU WALL REINFORCEMENT DETAILS							R06



Release Number: R07

Bar Mark	Qty	Size	Total Length	Type	X	Y	Z	U	V	W	X	Y	Z	U	V	W	
S801	2	#5	5'-0"	17		2'-4"	2'-4"										
S807	2	#5	5'-0"	17		2'-4"	2'-4"										
S808	2	#5	5'-0"	17		2'-4"	2'-4"										
S809	4	#5	5'-0"	17		2'-4"	2'-4"										



LEGEND

NO. OF LOCATION
NO. OF LIFT
NO. OF BARS

2x2x1 #5x6'-6" VERTS

NO. OF LIFT
(OR) NO. OF LOCATION
NO. OF BARS

2x1 #5x6'-6" VERTS

LIFT 1 TO LIFT 5

2x1 #5x6'-6" VERTS L1-L5

LAP SCHEDULE

SIZE	48 @ LAP
#3	18"
#4	24"
#5	30"
#6	36"
#7	42"
#8	48"
#9	54"
#10	60"
#11	66"

ALL BARS IN THIS DRAWING
ASTM A615 GRADE 60
BLACK UNCOATED

Abbreviations:
I.F.=Inside Face
O.F.=Outside Face
E.F.=Each Face
DWL=Dowel
V=Vertical
H=Horizontal
C.B.=Corner Bar
S.DWL.=Slab Dowel
E.W.=Each Way
B/BOT.=Bottom
T=Top
MDWL.=Masonry Dowel
B.B.=Bond Beam
ALT.=Alternate
Approx.=Approximate

OPNG=Opening
BAL.=Balance
BTW.=Between
CJ.=Construction Joint
CLR.=CLEARANCE
CMU.=Concrete Masonry Unit
CONT.=Continuous
EA.=Each
Elev.=Elevation
EMB.=Embedment
SW.=Short Way
LW.=Long Way
(BL)=Black Bar
(EP)=Epoxy Bar
(GA)=Galvanized

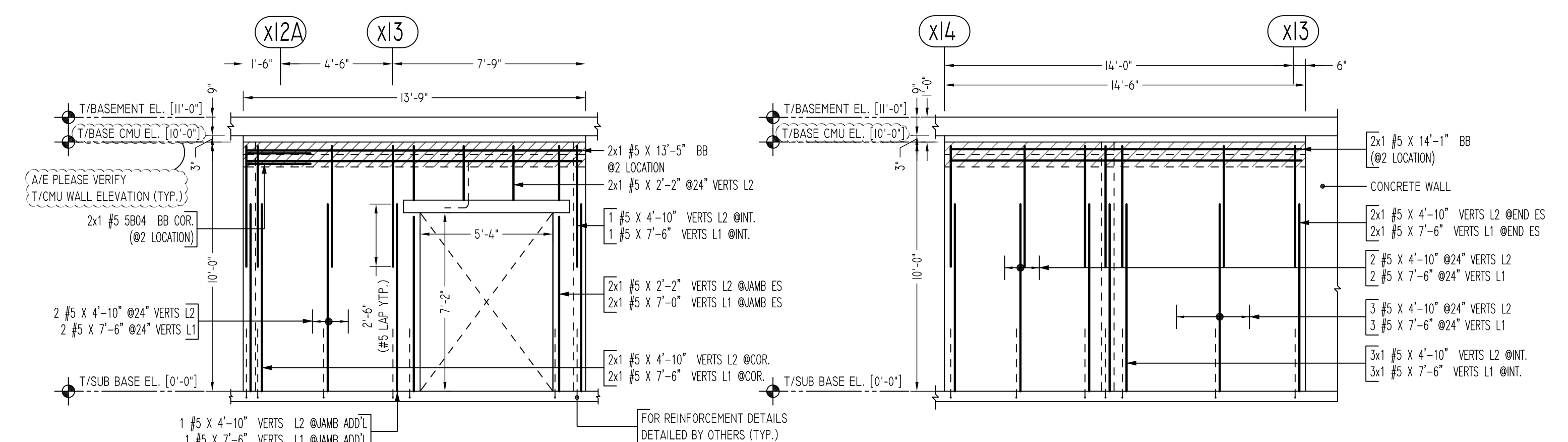
NOTICE

Shortages, improper fabrication or claims for any other reason must be reported to this company within a period of 15 days of delivery. This company reserves the right to field inspect prior to replacement or reconditioning of nonconforming material, and will not honor charges for work done in the field without specific authorization from this company.

REINFORCING STEEL PLACING DRAWINGS ONLY USE IN CONJUNCTION WITH CONTRACT DRAWINGS & SPECIFICATIONS. ELEVATIONS & DIMENSIONS SHOWN ON THIS DRAWING ARE FOR DETAILING PURPOSES ONLY AND SHOULD NOT BE USED FOR CONSTRUCTION UNLESS VERIFIED BY ENGINEER OR CONTRACTOR.

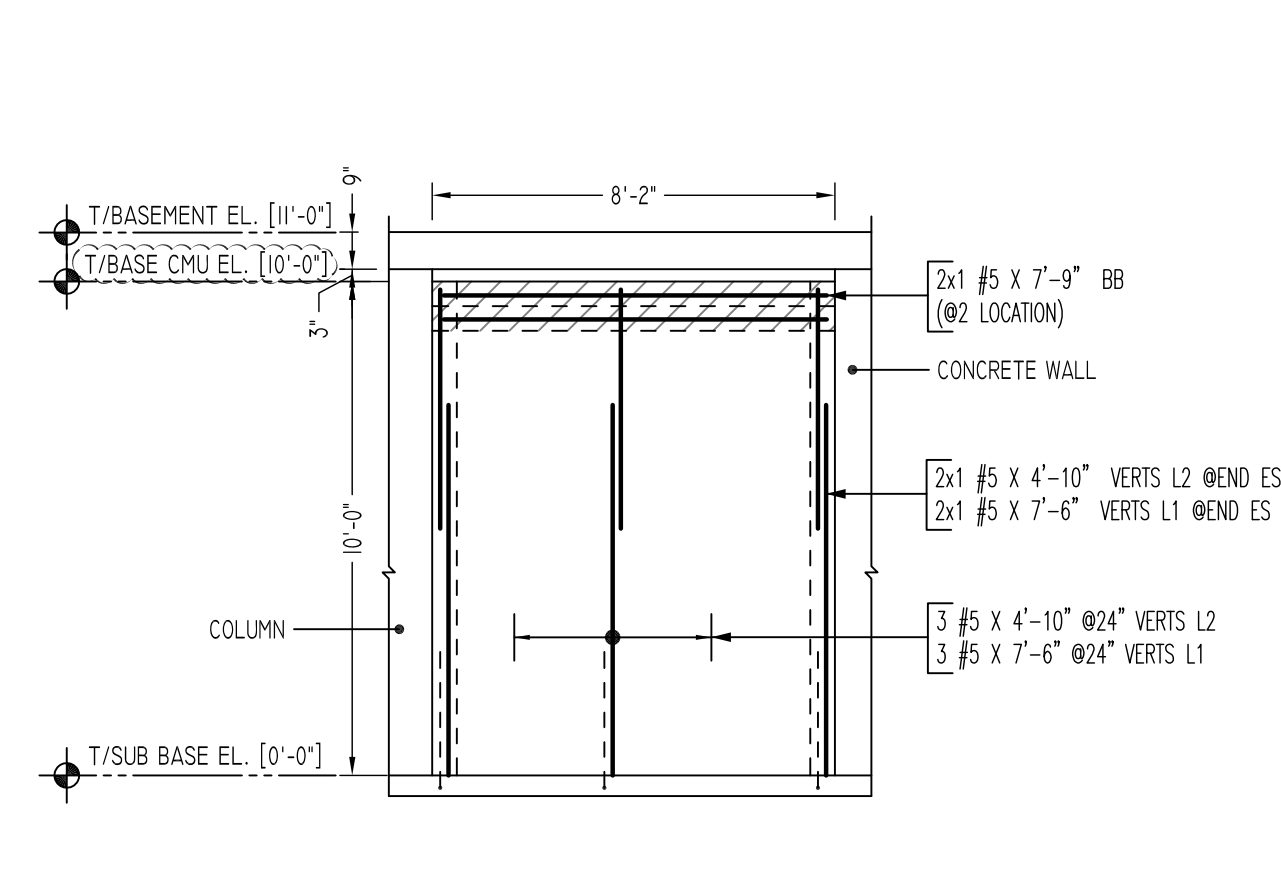
REVISION MARK	REVISION DETAILS	DATE
0	FOR APPROVAL	05/19/2022

PROJECT	CBUP LEE BARRACKS						
LOCATION	28 FEDERAL PLAZA, NEW YORK, NY 10278						
ARCHITECT	-						
ENGINEER	US ARMY CORPS OF ENGINEERS						
CUSTOMER	ACRANOM MASONRY						
DRAWN BY:	VGS/MRS	DATE:	05/19/22	REVIEWED BY:	T/L	JOB NO.:	22032
DRAWING TITLE:							DRAWING NO.:
SUB BASEMENT TO FIRST FLOOR CMU WALL REINFORCEMENT DETAILS							R07

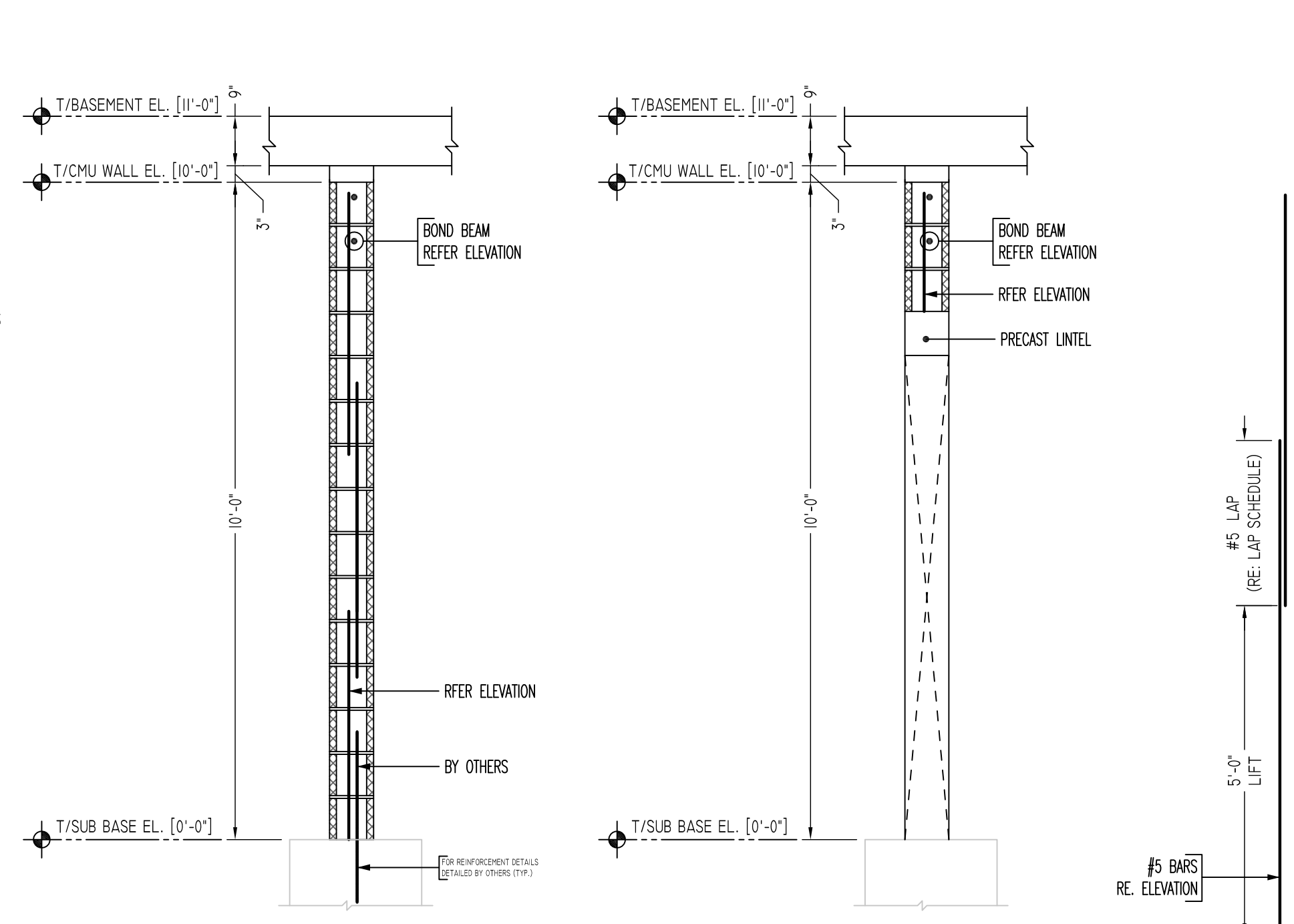


U ELEVATION
SCALE - 1/4"=1'-0"
REF: A-1005B

V ELEVATION
SCALE - 1/4"=1'-0"
REF: A-1005A & A-1005B

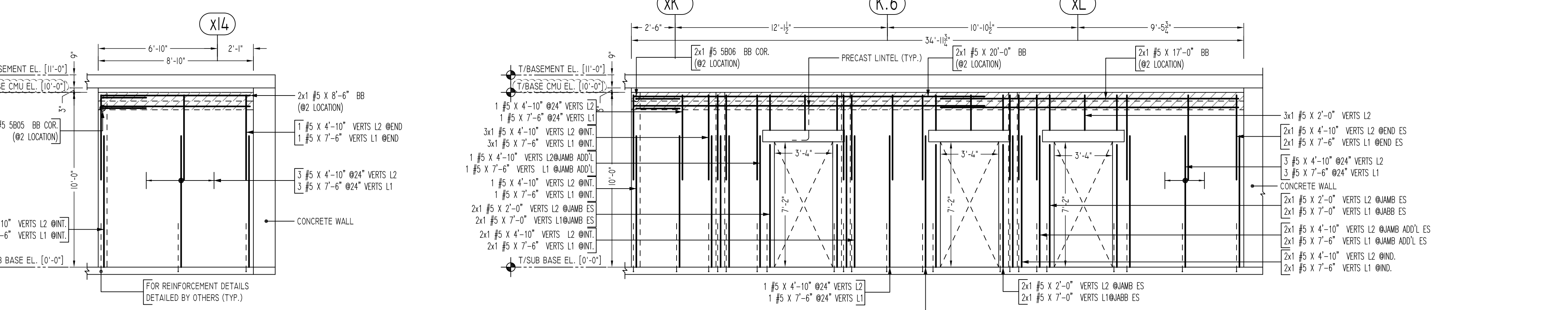


W ELEVATION
SCALE - 1/4"=1'-0"
REF: A-1005A & A-1005B



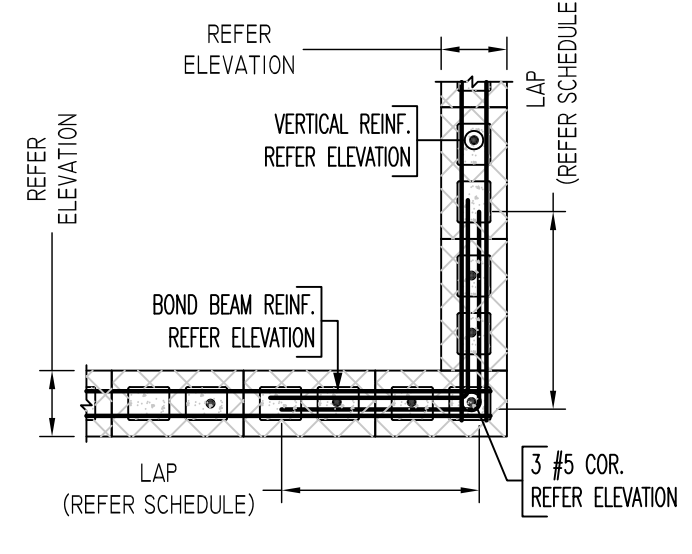
TYPICAL CMU WALL SECTION DETAILS
SCALE - 1/2"=1'-0"
REF: -

TYPICAL VERTICAL BAR LAPPING DETAIL

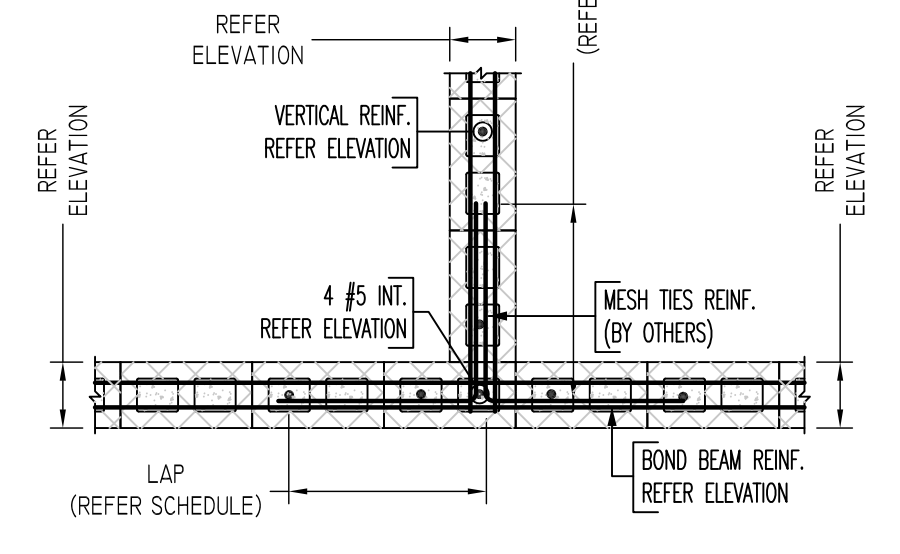


X ELEVATION
SCALE - 1/4"=1'-0"
REF: A-1005A & A-1005B

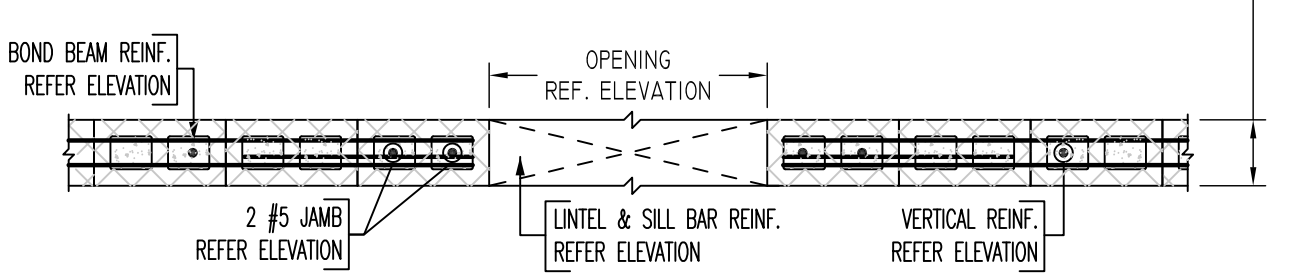
Y ELEVATION
SCALE - 1/4"=1'-0"
REF: A-1005A & A-1005B



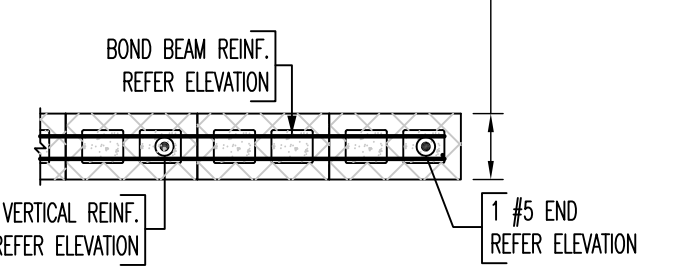
(REINFORCEMENT AT CORNER)



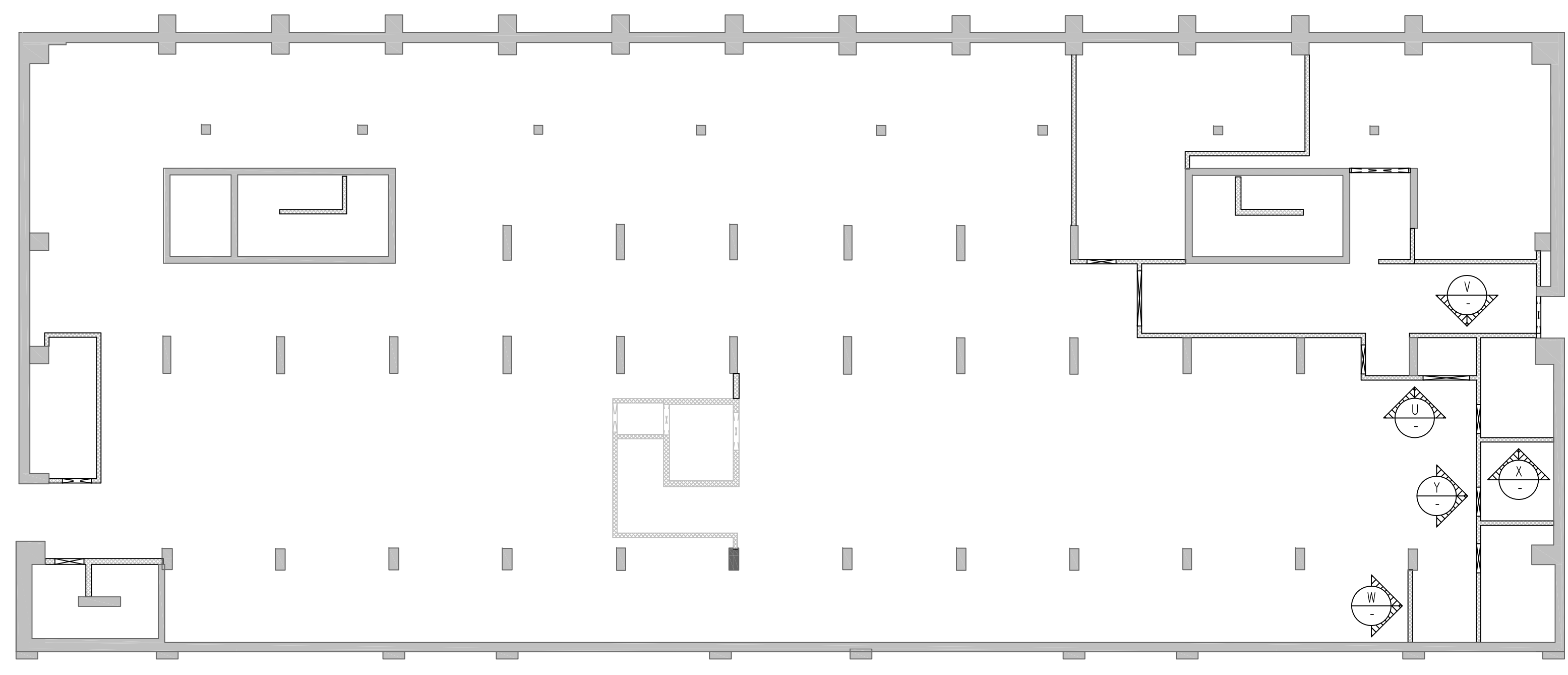
(REINFORCEMENT AT INTERSECTION)



(REINFORCEMENT AT OPENING)

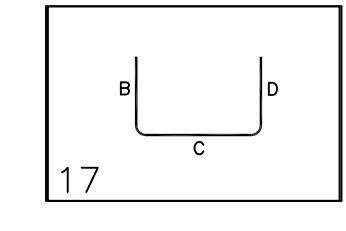


(REINFORCEMENT AT END)



SUB BASEMENT TO FIRST FLOOR CMU WALL LAYOUT
SCALE - NTS
REF: A-100A, A-1005B

Bar Mark	Qty	Size	Total Length	Type	X	Y	Z	BENDING DETAILS
5804	2	#5	5'-0"	17		2'-4"	2'-4"	
5805	2	#5	5'-0"	17		2'-4"	2'-4"	
5806	2	#5	5'-0"	17		2'-4"	2'-4"	



TYPICAL CMU WALL DETAILS
SCALE - 1/2"=1'-0"
REF: -

LEGEND

SIZE	48 @ LAP
#3	18"
#4	24"
#5	30"
#6	36"
#7	42"
#8	48"
#9	55"
#10	61"
#11	68"

**ALL BARS IN THIS DRAWING
ASTM A615 GRADE 60
BLACK UNCOATED**

Abbreviations:
I.F.=Inside Face
O.F.=Outside Face
E.F.=Each Face
DWL=Dowel
V=Vertical
H=Horizontal
C.B.=Corner Bar
S.DWL.=Slab Dowel
E.W.=Each Way
B/BOT.=Bottom
T=Top
MDWL.=Masonry Dowel
B.B.=Bond Beam
ALT.=Alternate
Approx.=Approximate

OPNG=Opening
BAL.=Balance
BTW.=Between
CJ.=Construction Joint
CLR.=CLEARANCE
CMU.=Concrete Masonry Unit
CONT.=Continuous
EA.=Each
Elev.=Elevation
EMB.=Embedment
SW.=Short Way
LW.=Long Way
(BL)=Black Bar
(EP)=Epoxy Bar
(GA)=Galvanized

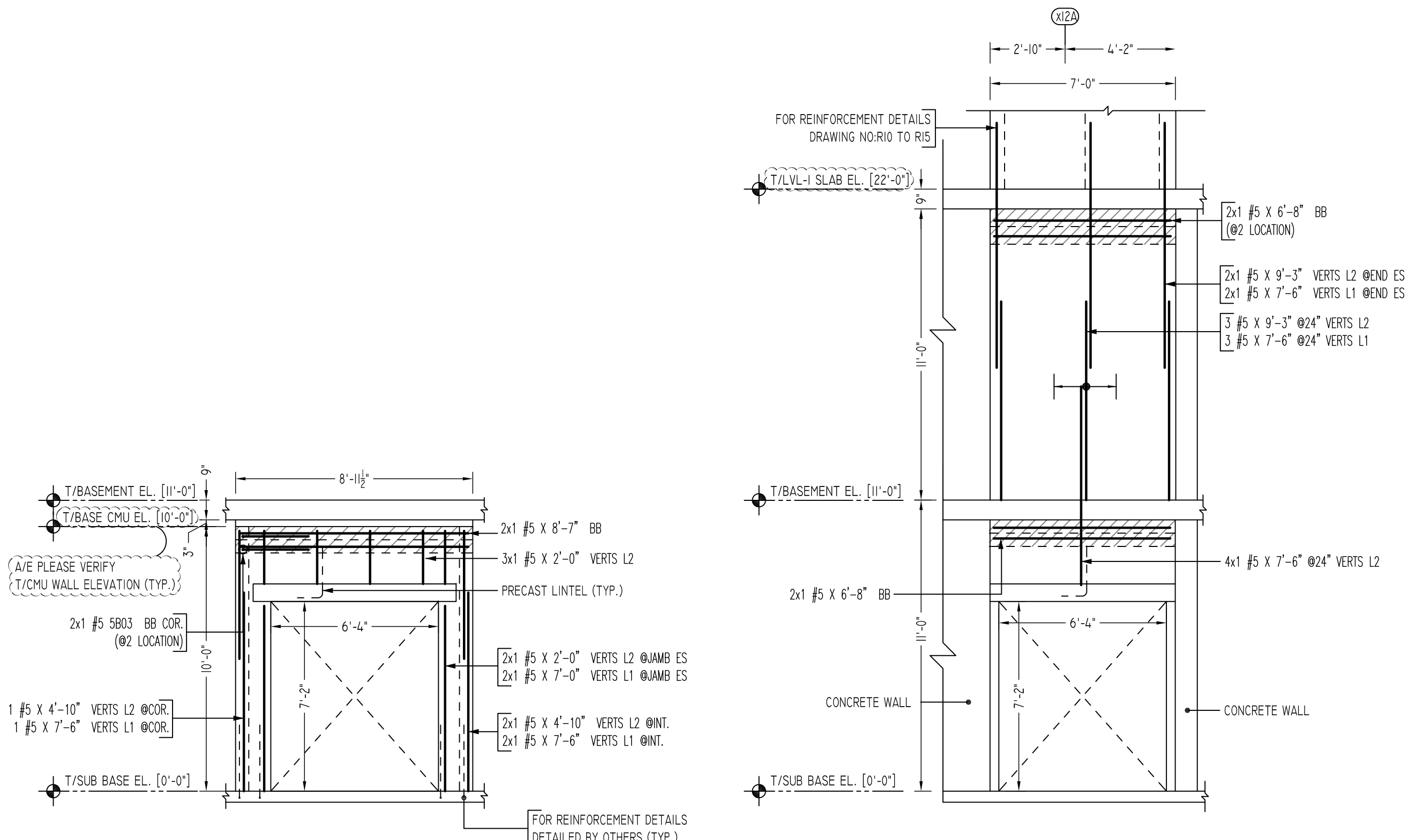
NOTICE

Shortages, improper fabrication or claims for any other reason must be reported to this company within a period of 15 days of delivery. This company reserves the right to field inspect prior to replacement or reconditioning of nonconforming material, and will not honor charges for work done in the field without specific authorization from this company.

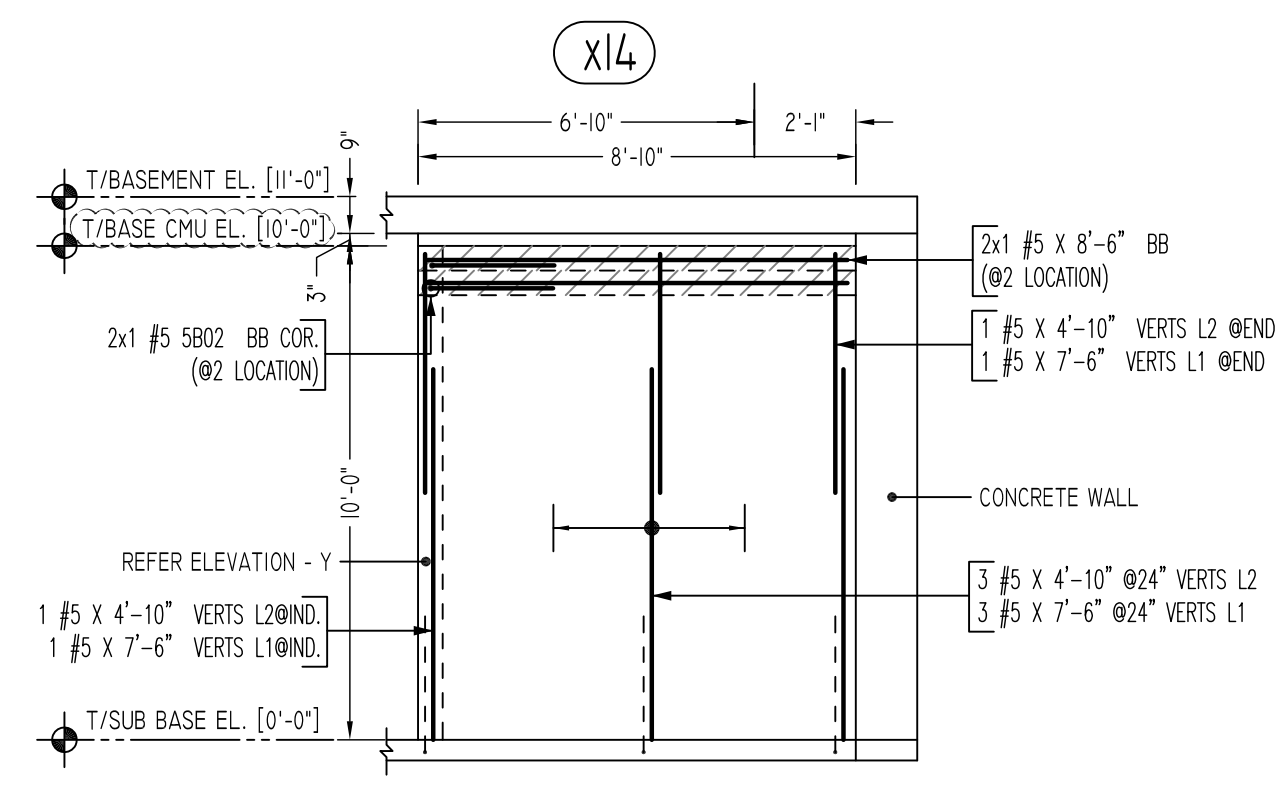
REINFORCING STEEL PLACING DRAWINGS ONLY USE IN CONJUNCTION WITH CONTRACT DRAWINGS & SPECIFICATIONS. ELEVATIONS & DIMENSIONS SHOWN ON THIS DRAWING ARE FOR DETAILING PURPOSES ONLY AND SHOULD NOT BE USED FOR CONSTRUCTION UNLESS VERIFIED BY ENGINEER OR CONTRACTOR.

REVISION MARK	REVISION DETAILS	DATE
0	FOR APPROVAL	05/19/2022

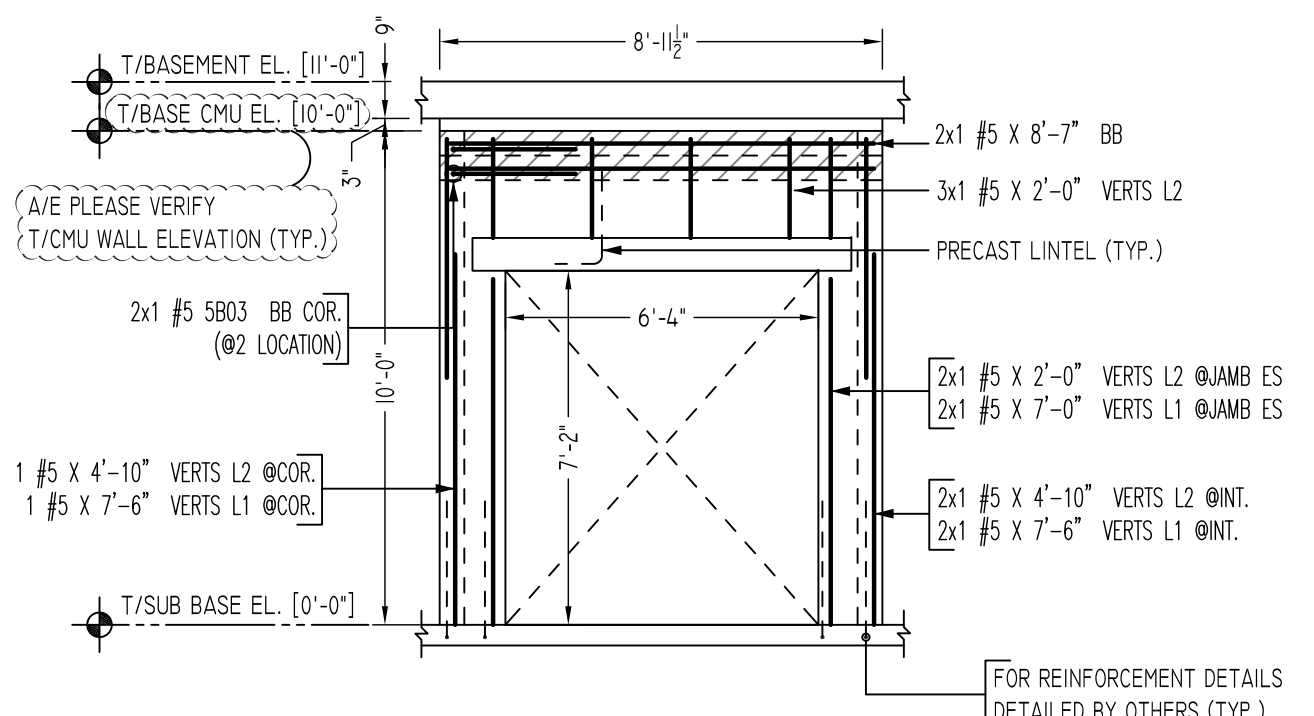
PROJECT	CBUP LEE BARRACKS
LOCATION	28 FEDERAL PLAZA, NEW YORK, NY 10278
ARCHITECT	-
ENGINEER	US ARMY CORPS OF ENGINEERS
CUSTOMER	ACRANOM MASONRY
DRAWN BY:	VGS/MRS
DATE:	05/19/22
REVIEWED BY:	T/L
JOB NO.	22032
DRAWING TITLE:	SUB BASEMENT TO FIRST FLOOR CMU WALL REINFORCEMENT DETAILS
DRAWING NO.:	R08



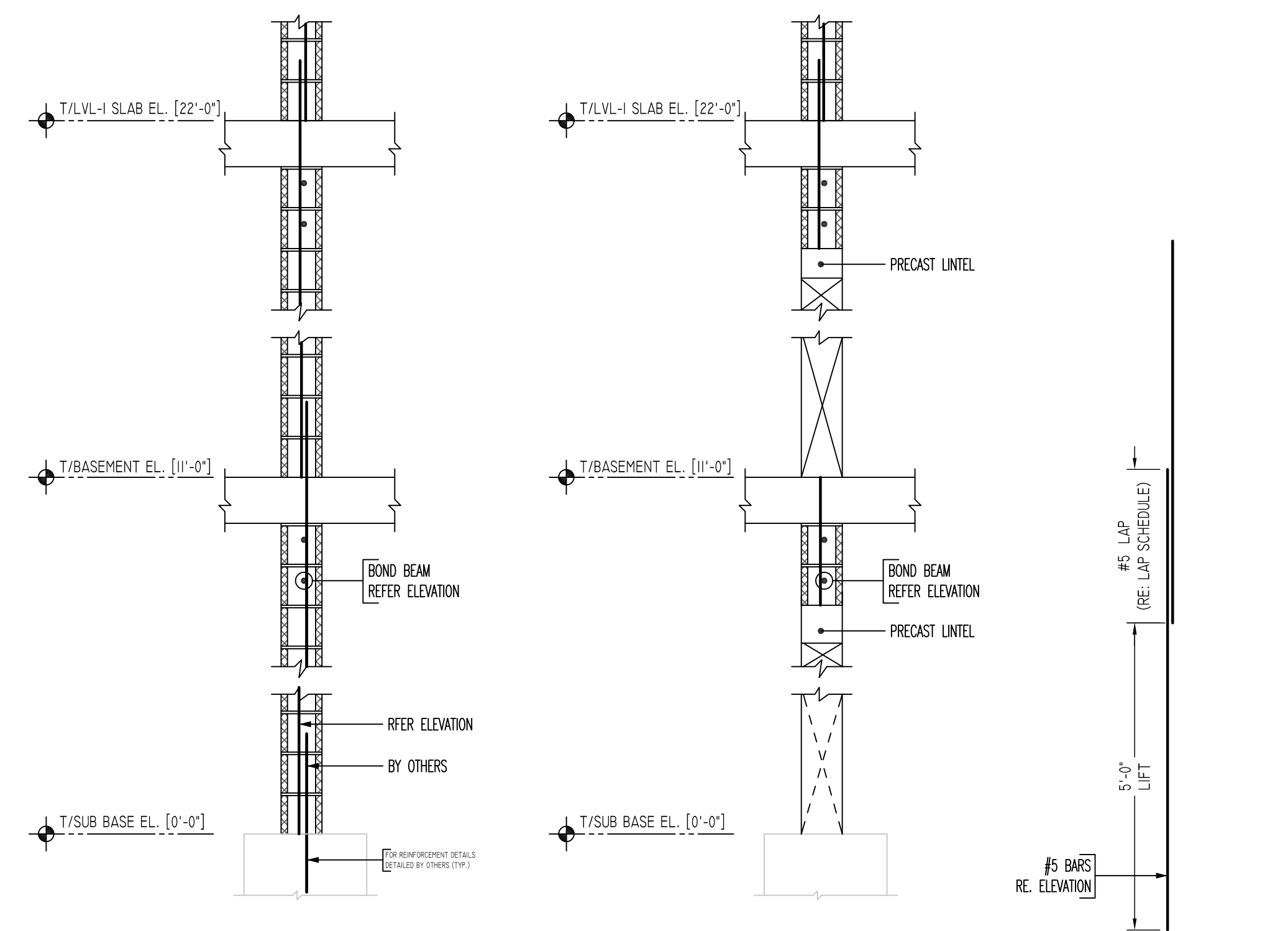
AA ELEVATION
SCALE - 1/4"=1'-0"
REF: A-1005A & A-1005B



AB ELEVATION
SCALE - 1/4"=1'-0"
REF: A-1005A & A-1005B

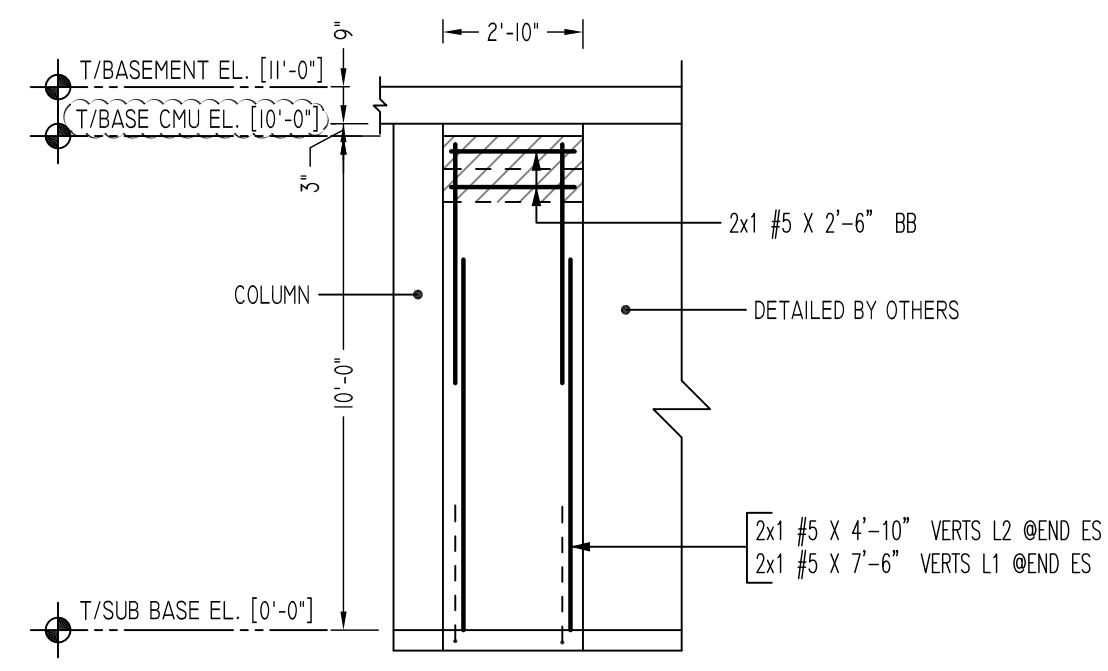


Z ELEVATION
SCALE - 1/4"=1'-0"
REF: A-1005A & A-1005B

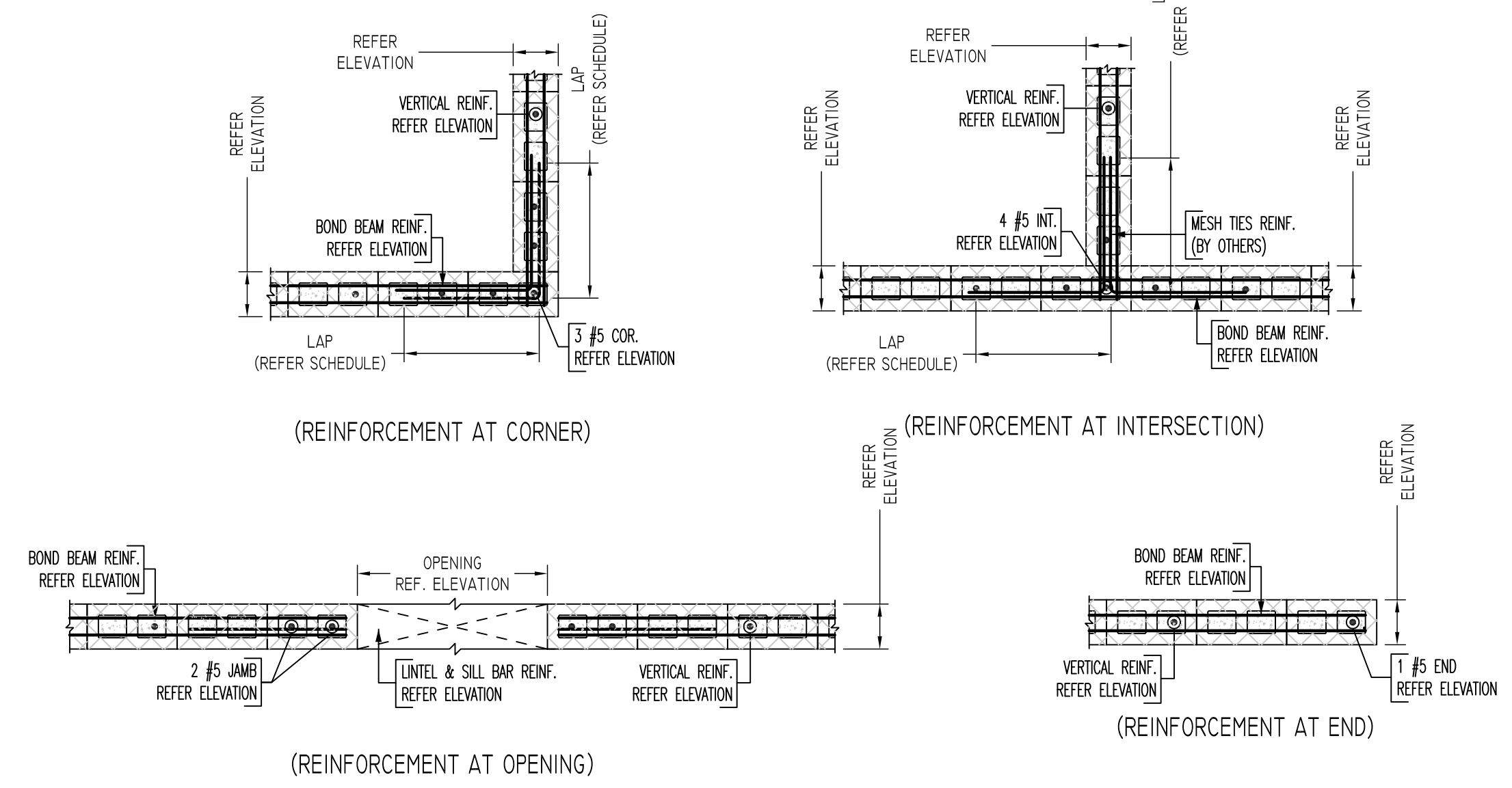


TYPICAL CMU WALL SECTION DETAILS
SCALE - 1/2"=1'-0"
REF: -

TYPICAL VERTICAL BAR LAPPING DETAIL



AC ELEVATION
SCALE - 1/4"=1'-0"
REF: A-1005B



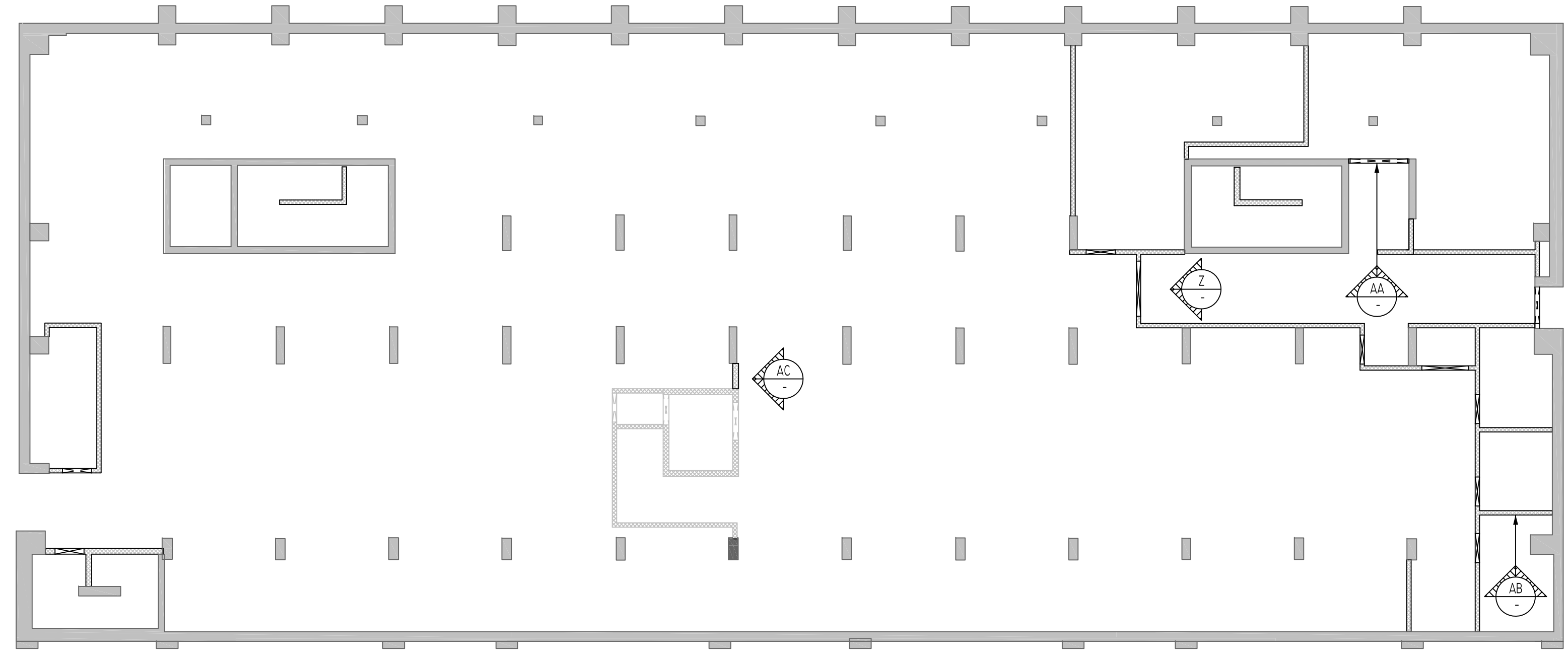
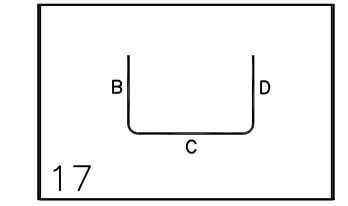
TYPICAL CMU WALL DETAILS
SCALE - 1/2"=1'-0"
REF: -

LEGEND	
(Symbol)	NO. OF LOCATION
(Symbol)	NO. OF LIFT
(Symbol)	NO. OF BARS
(Symbol)	NO. OF LIFT (OR) NO. OF LOCATION
(Symbol)	NO. OF BARS
(Symbol)	LIFT 1 TO LIFT 5
(Symbol)	2x1 #5x6'-6" VERTS L1-L5

LAP SCHEDULE	
SIZE	48 @ LAP
#3	18"
#4	24"
#5	30"
#6	36"
#7	42"
#8	48"
#9	54"
#10	60"
#11	66"

**ALL BARS IN THIS DRAWING
ASTM A615 GRADE 60
BLACK UNCOATED**

Release Number: R09				BENDING DETAILS											
Bar Mark	Qty	Size	Total Length	Type	X'	Y'	Z'	1'	2'	3'	4'	5'	6'	7'	8'
S802	2	#5	5'-0"	17			2'-6"								
S803	2	#5	5'-0"	17			2'-6"								



SUB BASEMENT TO FIRST FLOOR CMU WALL LAYOUT

SCALE - NTS
REF: A-1004, A-1005B

Abbreviations:
I.F.=Inside Face
O.F.=Outside Face
E.F.=Each Face
DWL=Dowel
V=Vertical
H=Horizontal
C.B.=Corner Bar
S.DWL=Slab Dowel
E.W.=Each Way
B/BOT=Bottom
T=Top
MDWL= Masonry Dowel
B.B.=Bond Beam
ALT.=Alternate
Approx.=Approximate

OPNG=Opening
BAL.=Balance
BTW.=Between
CJ=Construction Joint
CLR.=CLEARANCE
CMU= Concrete Masonry Unit
CONT.=Continuous
EA.=Each
Elev.=Elevation
EMB=Embedment
SW = Short Way
LW=Long Way
(BL)=Black Bar
(EP)=Epoxy Bar
(GA)= Galvanized

NOTICE

Shortages, improper fabrication or claims for any other reason must be reported to this company within a period of 15 days of delivery. This company reserves the right to field inspect prior to replacement or reconditioning of nonconforming material, and will not honor charges for work done in the field without specific authorization from this company.

REINFORCING STEEL PLACING DRAWINGS ONLY USE IN CONJUNCTION WITH CONTRACT DRAWINGS & SPECIFICATIONS. ELEVATIONS & DIMENSIONS SHOWN ON THIS DRAWING ARE FOR DETAILING PURPOSES ONLY AND SHOULD NOT BE USED FOR CONSTRUCTION UNLESS VERIFIED BY ENGINEER OR CONTRACTOR.

REVISION MARK	REVISION DETAILS	DATE
0	FOR APPROVAL	05/19/2022

PROJECT	CBUP LEE BARRACKS						
LOCATION	28 FEDERAL PLAZA, NEW YORK, NY 10278						
ARCHITECT	-						
ENGINEER	US ARMY CORPS OF ENGINEERS						
CUSTOMER	ACRANOM MASONRY						
DRAWN BY:	VGS/MRS	DATE:	05/19/22	REVIEWED BY:	T/L	JOB NO.:	22032
DRAWING TITLE:						DRAWING NO.:	
SUB BASEMENT TO FIRST FLOOR CMU WALL REINFORCEMENT DETAILS						R09	