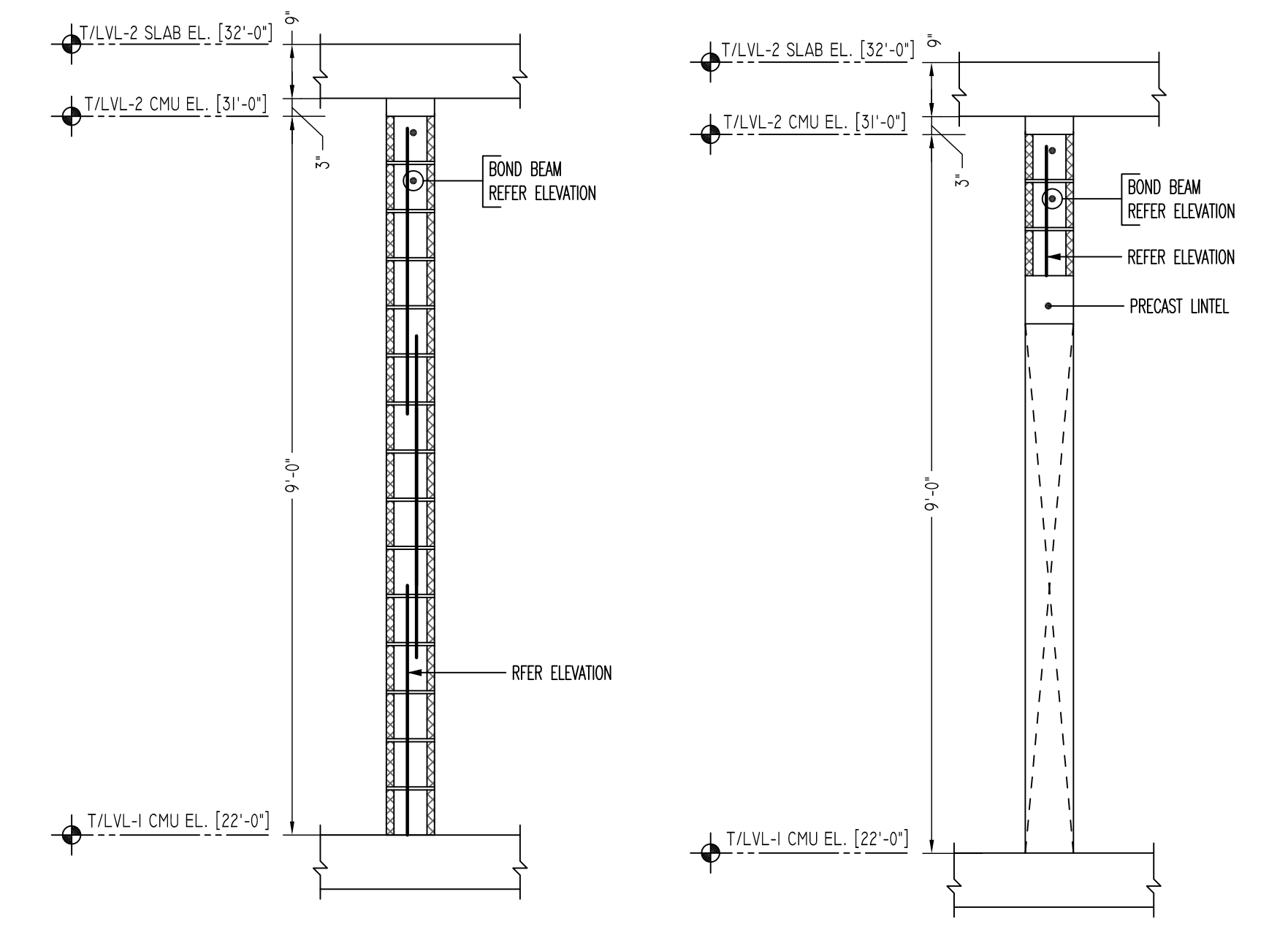
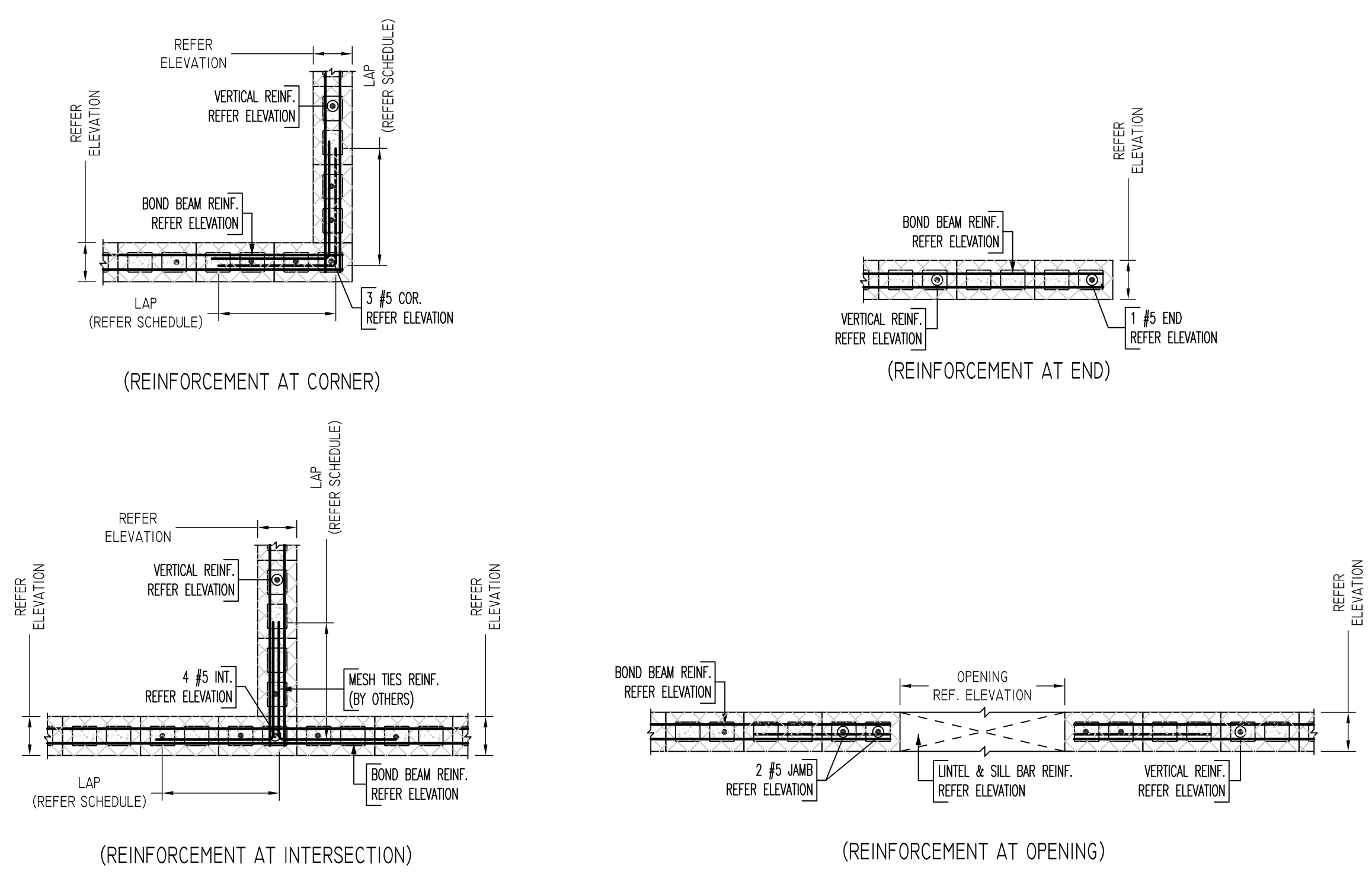


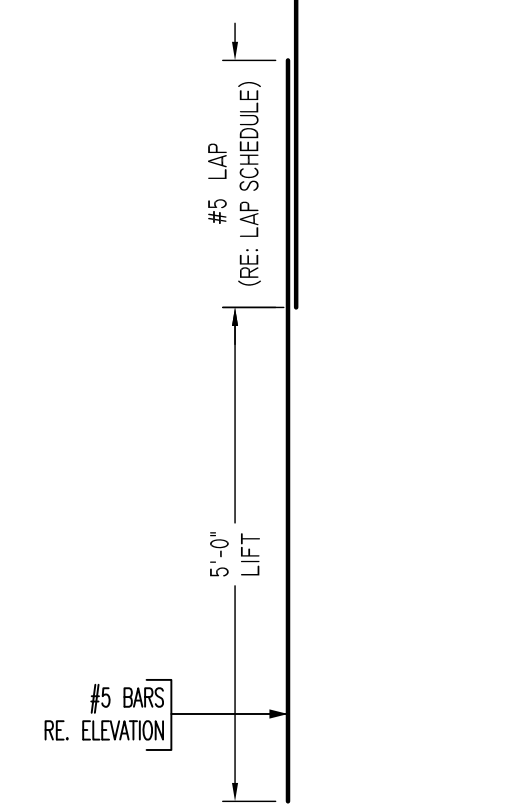
FIRST FLOOR TO SECOND FLOOR CMU WALL LAYOUT
 SCALE - 1/8"=1'-0"
 REF. A-101A & A-101B



TYPICAL CMU WALL SECTION DETAILS
 SCALE - 1/2"=1'-0"
 REF. -



TYPICAL CMU WALL DETAILS
 SCALE - 1/2"=1'-0"
 REF. -



TYPICAL VERTICAL BAR LAPPING DETAIL

**ALL BARS IN THIS DRAWING
 ASTM A615 GRADE 60
 BLACK UNCOATED**

LEGEND

- NO. OF LOCATION
- NO. OF LIFT
- NO. OF BARS
- 2x21 #5X6'-6" VERTS
- NO. OF LIFT (OR) NO. OF LOCATION
- NO. OF BARS
- 2x1 #5X6'-6" VERTS
- LIFT 1 TO LIFT 2
- 2x1 #5X6'-6" VERTS L1-L2

LAP SCHEDULE

SIZE	4.8 Ø LAP
#3	18"
#4	24"
#5	30"
#6	36"
#7	42"
#8	48"
#9	55"
#10	61"
#11	68"

Abbreviations:
 I.F.=Inside Face
 O.F.=Outside Face
 E.F.=Each Face
 DWL=Dowel
 V=Vertical
 H=Horizontal
 C.B.=Corner Bar
 S.DWL=Slab Dowel
 E.W.=Each Way
 B/BOT=Bottom
 T=Top
 MDWL=Masonry Dowel
 B.B.=Bond Beam
 ALT.=Alternate
 Approx.=Approximate

OPNG=Opening
BAL.=Balance
BTW.=Between
CJ.=Construction Joint
CLR.=CLEARANCE
CMU.=Concrete Masonry Unit
CONT.=Continuous
EA.=Each
Elev.=Elevation
EMB.=Embedment
SW = Short Way
LW=Long Way
(BL)=Black Bar
(EP)=Epoxy Bar
(GA)=Galvanized

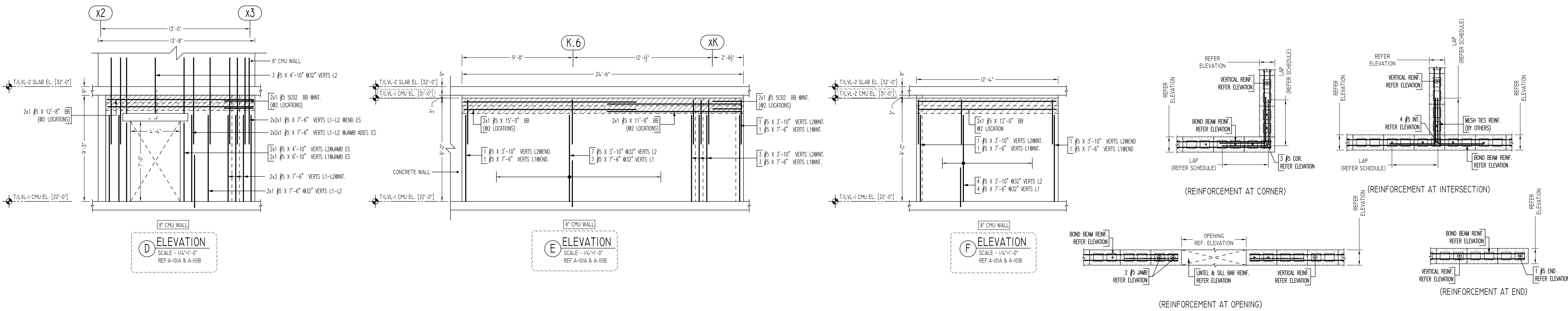
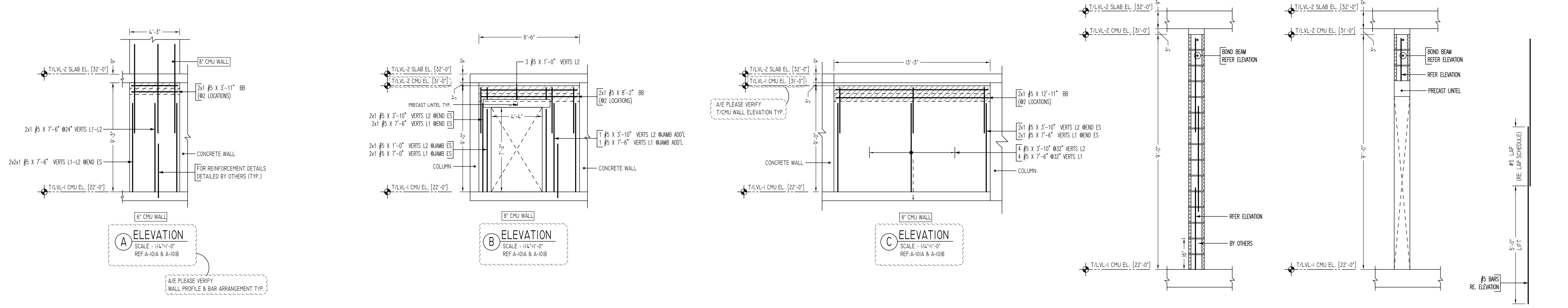
NOTICE

Shortages, improper fabrication or claims for any other reason must be reported to this company within a period of 15 days of delivery. This company reserves the right to field inspect prior to replacement or reconditioning of nonconforming material, and will not honor charges for work done in the field without specific authorization from this company.

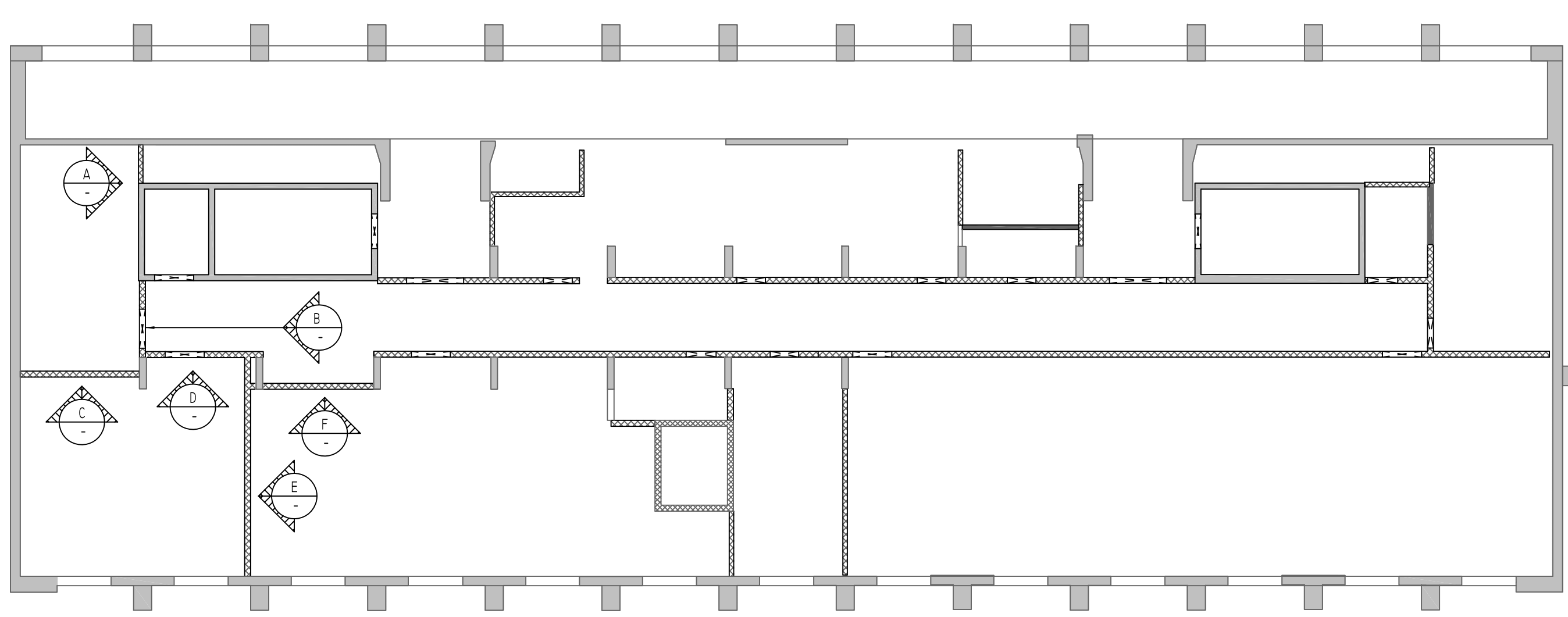
REINFORCING STEEL PLACING DRAWINGS ONLY USE IN CONJUNCTION WITH CONTRACT DRAWINGS & SPECIFICATIONS. ELEVATIONS & DIMENSIONS SHOWN ON THIS DRAWING ARE FOR DETAILING PURPOSES ONLY AND SHOULD NOT BE USED FOR CONSTRUCTION UNLESS VERIFIED BY ENGINEER OR CONTRACTOR.

REVISION MARK	REVISION DETAILS	DATE
0	FOR APPROVAL	05/19/2022

PROJECT	CBUP LEE BARRACKS						
LOCATION	28 FEDERAL PLAZA, NEW YORK, NY 10278						
ARCHITECT	-						
ENGINEER	US ARMY CORPS OF ENGINEERS						
CUSTOMER	ACRANOM MASONRY						
DRAWN BY:	VGS/MRS	DATE:	05/19/22	REVIEWED BY:	T/L	JOB NO.	22032
DRAWING TITLE:						DRAWING NO.:	R10
FIRST FLOOR TO SECOND FLOOR CMU REINFORCEMENT DETAILS							



TYPICAL CMU WALL DETAILS
SCALE: 1/2"=1'-0"
REF: -



**ALL BARS IN THIS DRAWING
ASTM A615 GRADE 60
BLACK UNCOATED**

LEGEND

NO. OF LOCATION
NO. OF LIFT
NO. OF BARS
2x21 #5x6'-6" VERTS

NO. OF LIFT
(OR) NO. OF LOCATION
NO. OF BARS
2x1 #5x6'-6" VERTS

LIFT 1 TO LIFT 2
2x1 #5x6'-6" VERTS L1-L2

LAP SCHEDULE

SIZE	48" LAP
#3	18"
#4	24"
#5	30"
#6	36"
#7	42"
#8	48"
#9	55"
#10	61"
#11	68"

Abbreviations:
I.F.=Inside Face
O.F.=Outside Face
E.F.=Each Face
DWL=Dowel
V=Vertical
H=Horizontal
C.B.=Corner Bar
S.DWL=Slab Dowel
E.W.=Each Way
B/BOT=Bottom
T=Top
MDWL=Masonry Dowel
B.B.=Bond Beam
ALT.=Alternate
Approx.=Approximate

OPNG=Opening
BAL=Balance
BTW=Between
CJ=Construction Joint
CLR=CLEARANCE
CMU=Concrete Masonry Unit
CONT.=Continuous
EA=Each
Elev.=Elevation
EMB=Embedment
SW=Short Way
LW=Long Way
(BL)=Black Bar
(EP)=Epoxy Bar
(GA)=Galvanized

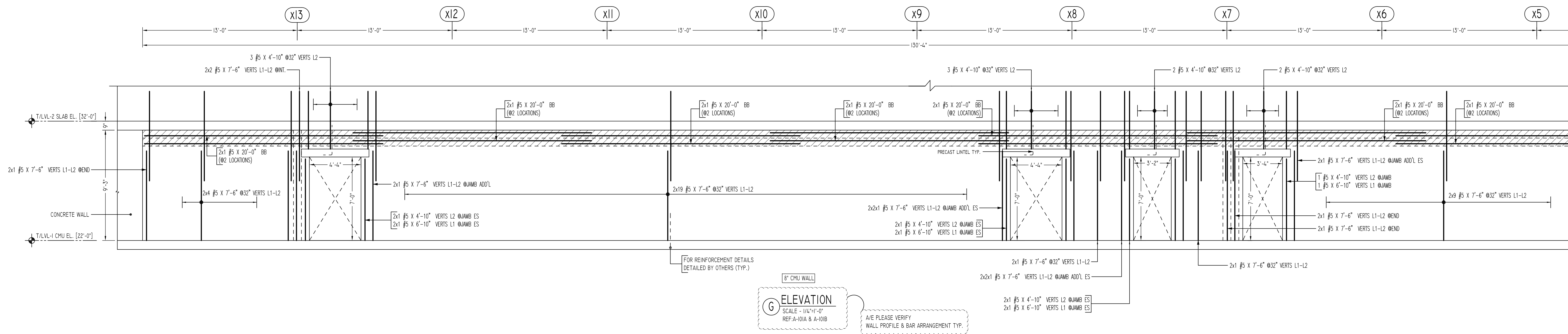
NOTICE

Shortages, improper fabrication or claims for any other reason must be reported to this company within a period of 15 days of delivery. This company reserves the right to field inspect prior to replacement or reconditioning of nonconforming material, and will not honor charges for work done in the field without specific authorization from this company.

REINFORCING STEEL PLACING DRAWINGS ONLY USE IN CONJUNCTION WITH CONTRACT DRAWINGS & SPECIFICATIONS. ELEVATIONS & DIMENSIONS SHOWN ON THIS DRAWING ARE FOR DETAILING PURPOSES ONLY AND SHOULD NOT BE USED FOR CONSTRUCTION UNLESS VERIFIED BY ENGINEER OR CONTRACTOR.

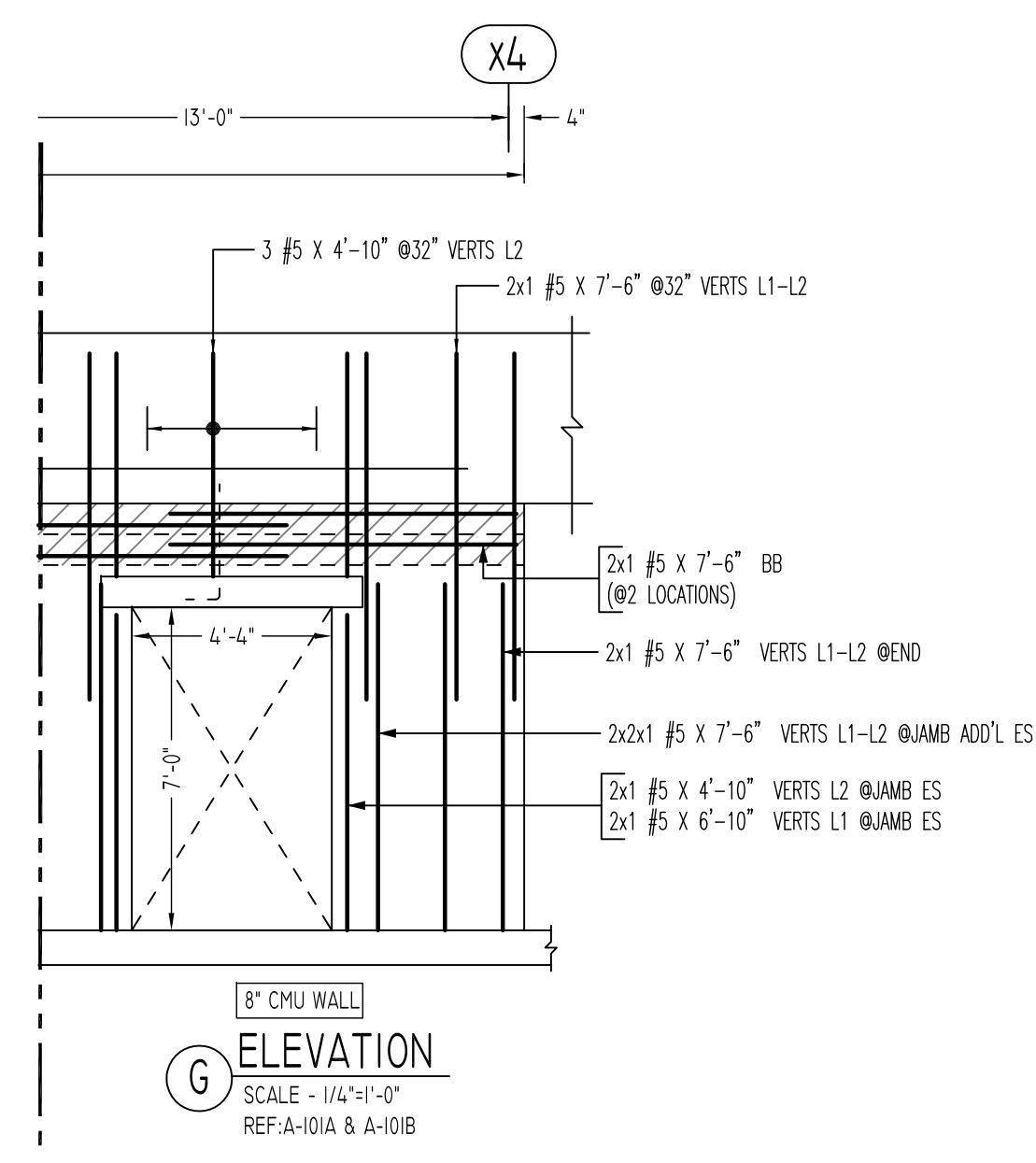
REVISION MARK	REVISION DETAILS	DATE
0	FOR APPROVAL	05/19/2022

PROJECT	CBUP LEE BARRACKS						
LOCATION	28 FEDERAL PLAZA, NEW YORK, NY 10278						
ARCHITECT	-						
ENGINEER	US ARMY CORPS OF ENGINEERS						
CUSTOMER	ACRANOM MASONRY						
DRAWN BY:	VGS/MRS	DATE:	05/19/22	REVIEWED BY:	T/L	JOB NO.:	22032
DRAWING TITLE:							DRAWING NO.:
FIRST FLOOR TO SECOND FLOOR CMU REINFORCEMENT DETAILS							R11

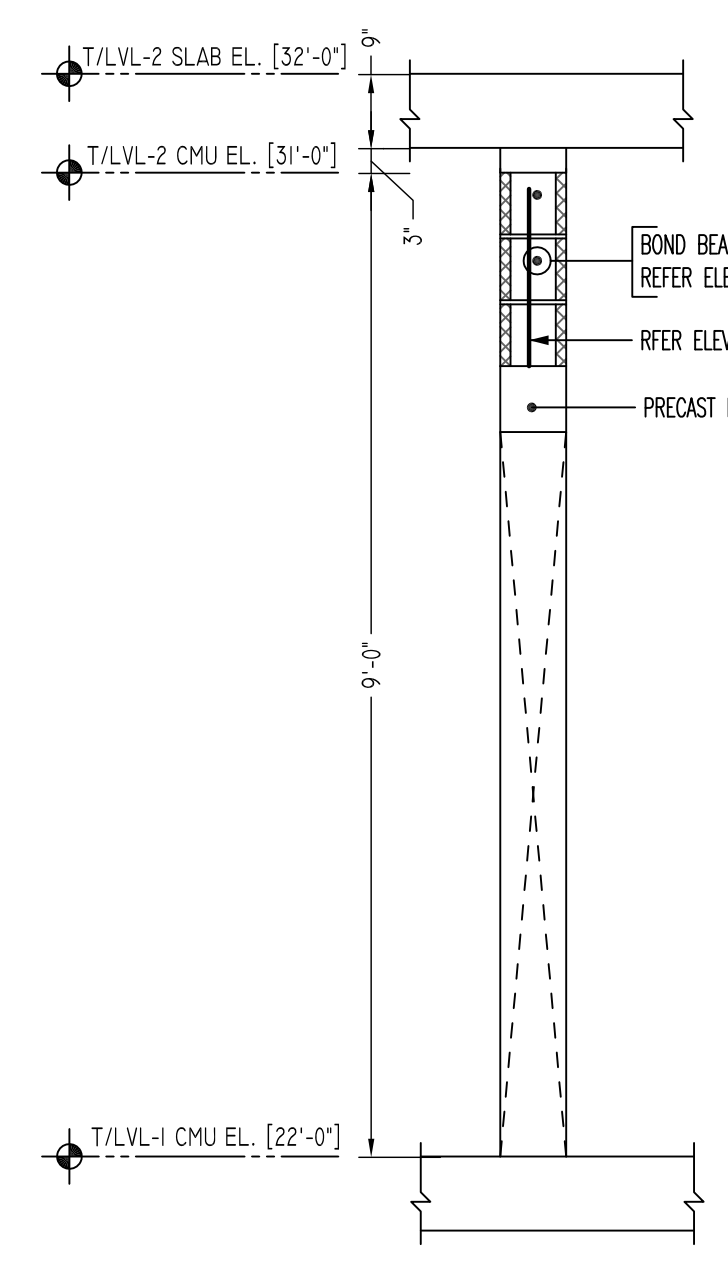
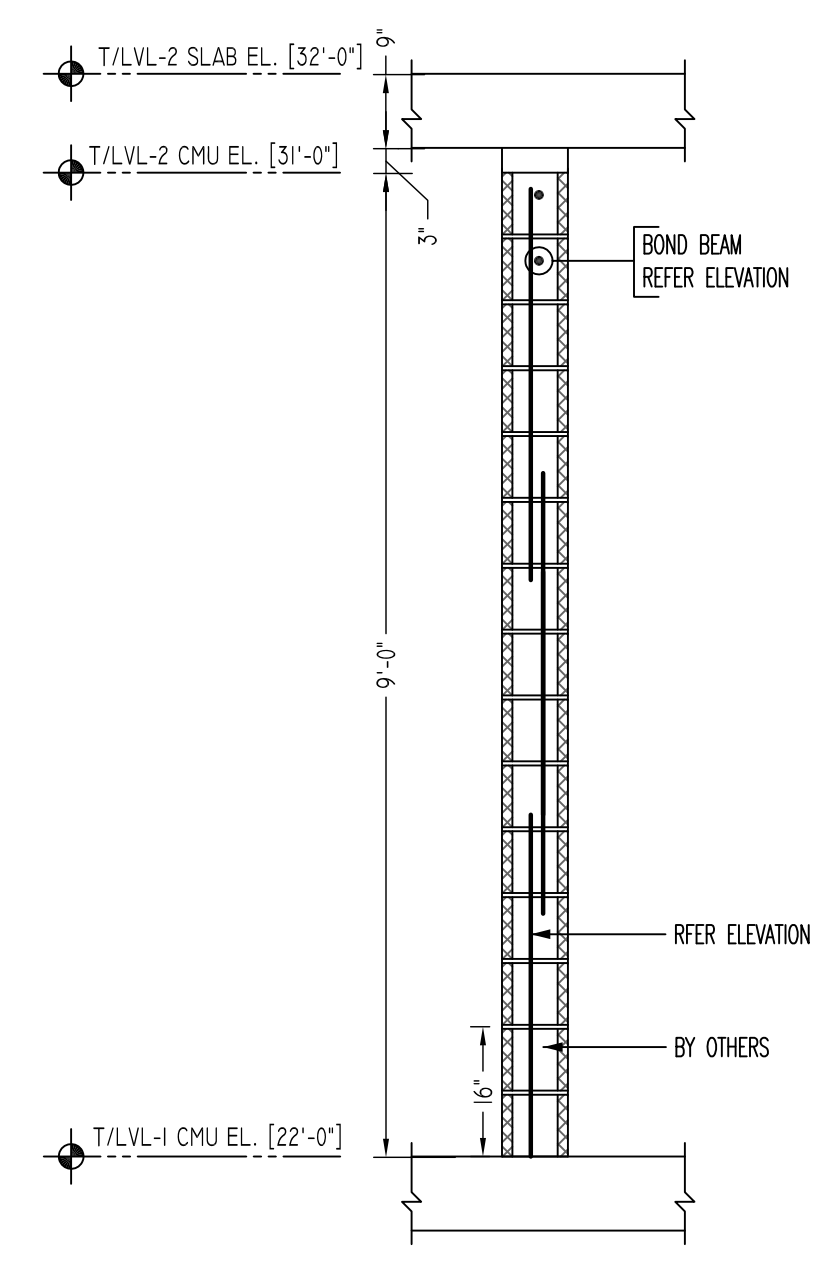


G ELEVATION
SCALE - 1/4"=1'-0"
REF: A-101A & A-101B

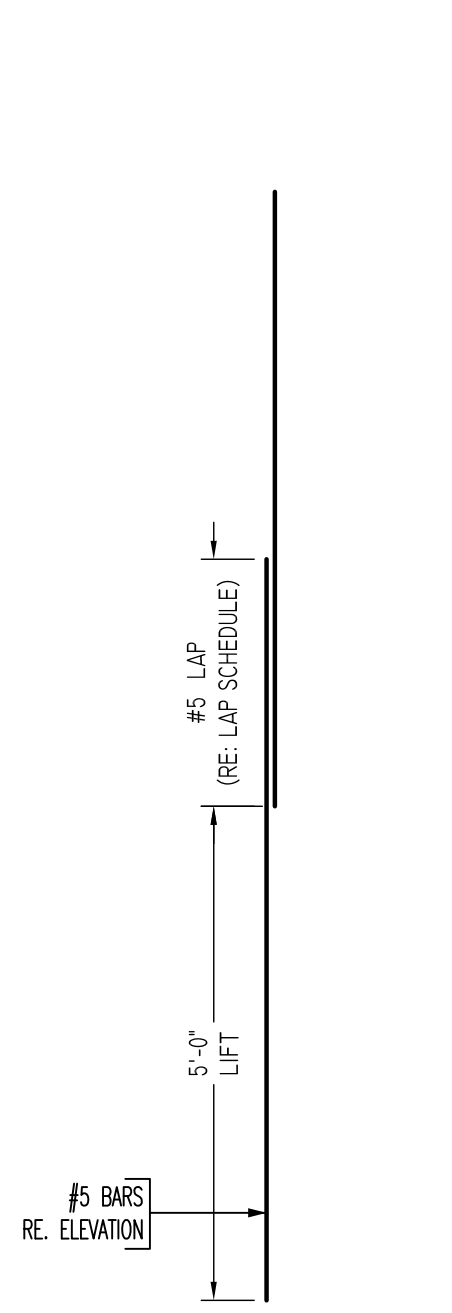
#/E PLEASE VERIFY WALL PROFILE & BAR ARRANGEMENT TYP.



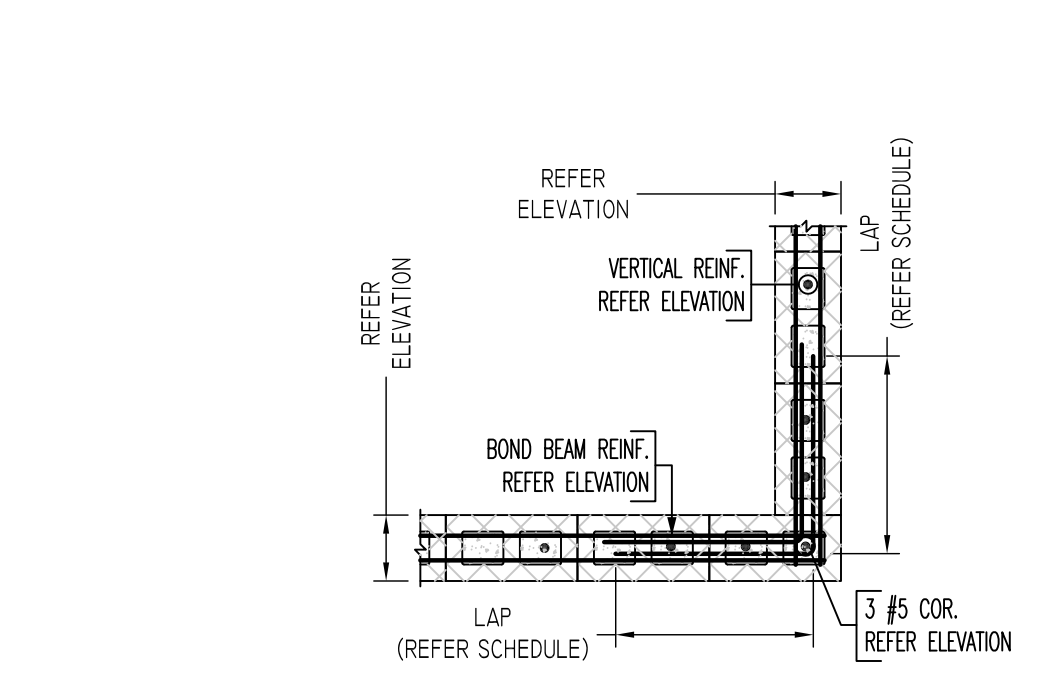
G ELEVATION
SCALE - 1/4"=1'-0"
REF: A-101A & A-101B



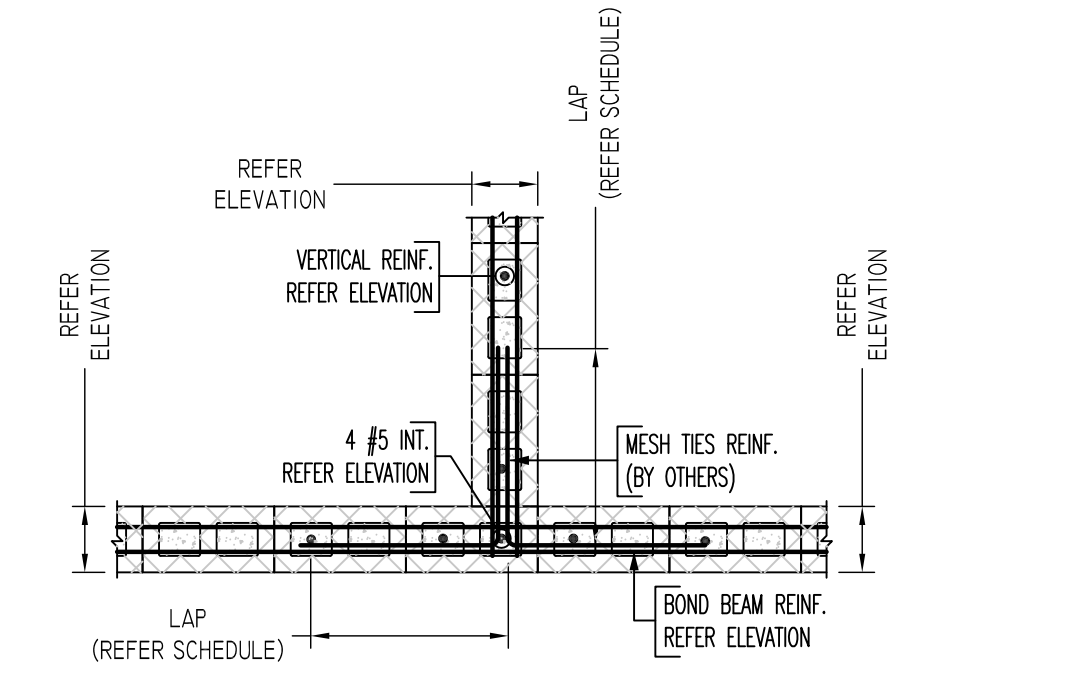
TYPICAL CMU WALL SECTION DETAILS
SCALE : 1/2" = 1'-0"
REF: -



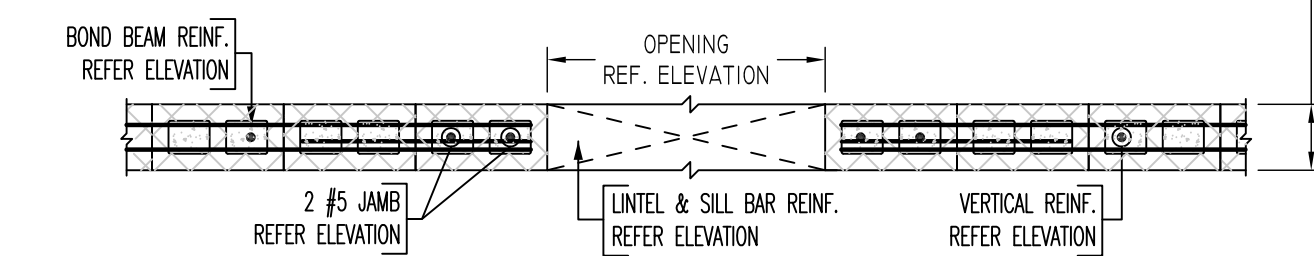
TYPICAL VERTICAL BAR LAPPING DETAIL



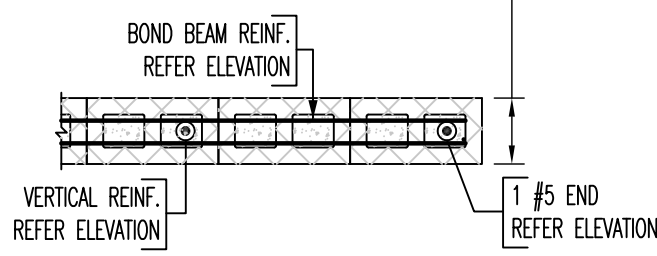
(REINFORCEMENT AT CORNER)



(REINFORCEMENT AT INTERSECTION)

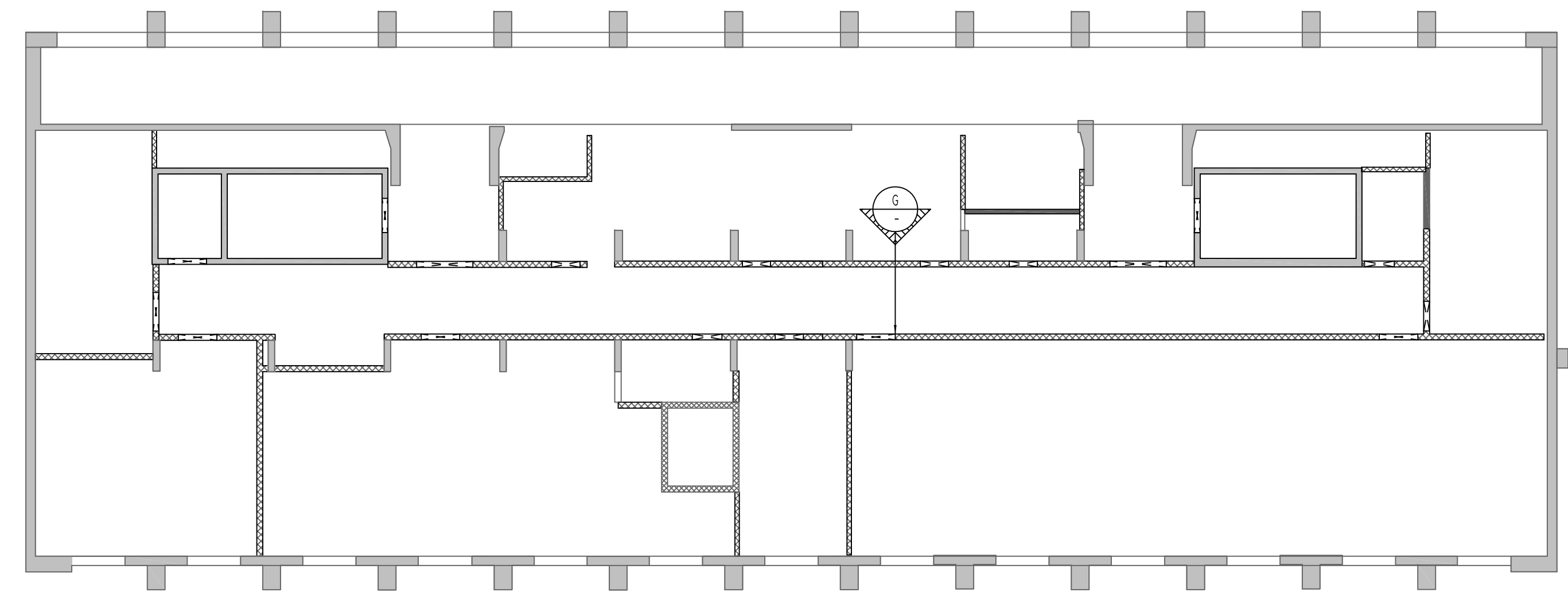


(REINFORCEMENT AT OPENING)



(REINFORCEMENT AT END)

TYPICAL CMU WALL DETAILS
SCALE : 1/2" = 1'-0"
REF: -



FIRST FLOOR TO SECOND FLOOR CMU WALL LAYOUT
SCALE - NTS
REF: A-101A & A-101B

**ALL BARS IN THIS DRAWING
ASTM A615 GRADE 60
BLACK UNCOATED**

LEGEND

- NO. OF LOCATION
- NO. OF LIFT
- NO. OF BARS
- 2x2x1 #5x6'-6" VERTS
- NO. OF LIFT (OR) NO. OF LOCATION
- NO. OF BARS
- 2x1 #5x6'-6" VERTS
- LIFT 1 TO LIFT 2
- 2x1 #5x6'-6" VERTS L1-L2

LAP SCHEDULE

SIZE	L & Ø LAP
#3	18"
#4	24"
#5	30"
#6	36"
#7	42"
#8	48"
#9	55"
#10	61"
#11	68"

Abbreviations:

I.F.=Inside Face	OPNG=Opening
O.F.=Outside Face	BAL=Balance
E.F.=Each Face	BTW=Between
DWL=Dowel	CJ=Construction Joint
H=Horizontal	CLR=CLEARANCE
C.B.=Corner Bar	CMU=Concrete Masonry Unit
S.DWL=Slab Dowel	CONT.=Continuous
E.W.=Each Way	EA.=Each
B/BOT=Bottom	Elev.=Elevation
T=Top	EMB=Embedment
MDWL=Masonry Dowel	SW=Short Way
B.B.=Bond Beam	LW=Long Way
ALT.=Alternate	(BL)=Black Bar
Approx.=Approximate	(EP)=Epoxy Bar
	(GA)=Galvanized

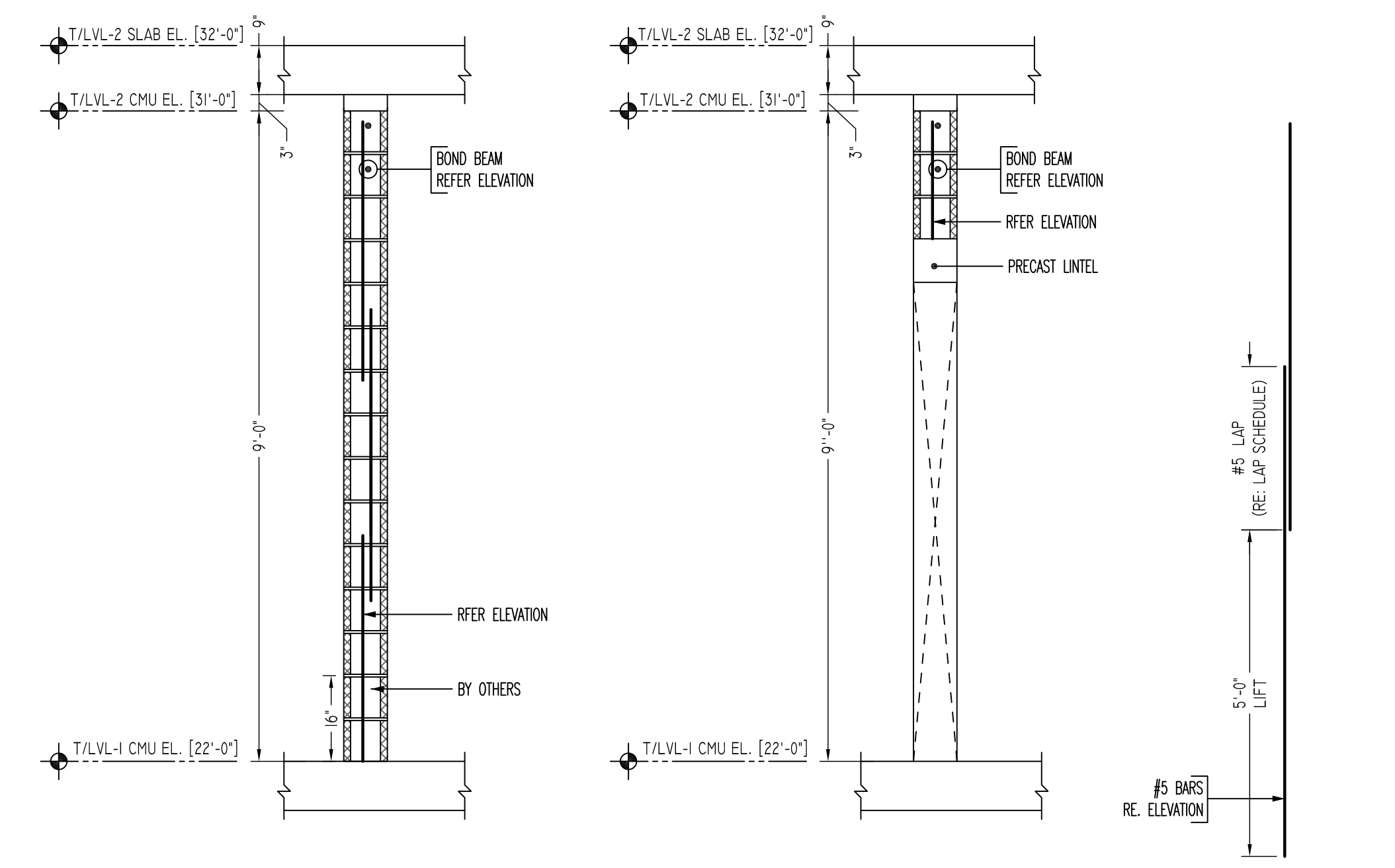
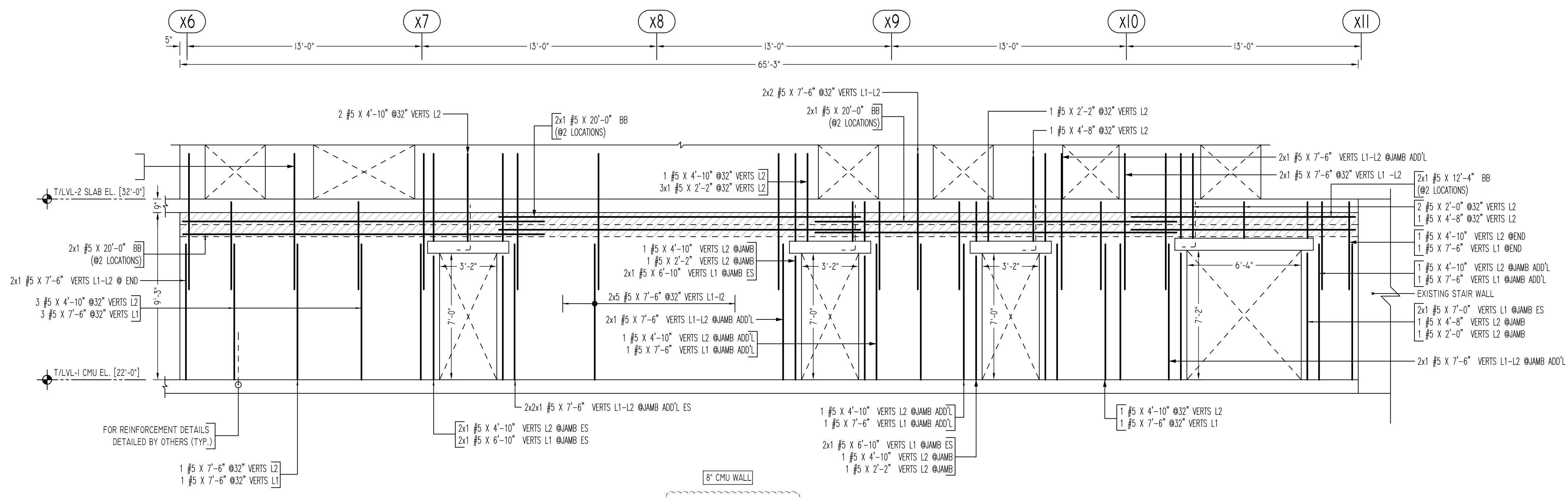
NOTICE

Shortages, improper fabrication or claims for any other reason must be reported to this company within a period of 15 days of delivery. This company reserves the right to field inspect prior to replacement or reconditioning of nonconforming material, and will not honor charges for work done in the field without specific authorization from this company.

REINFORCING STEEL PLACING DRAWINGS ONLY USE IN CONJUNCTION WITH CONTRACT DRAWINGS & SPECIFICATIONS. ELEVATIONS & DIMENSIONS SHOWN ON THIS DRAWING ARE FOR DETAILING PURPOSES ONLY AND SHOULD NOT BE USED FOR CONSTRUCTION UNLESS VERIFIED BY ENGINEER OR CONTRACTOR.

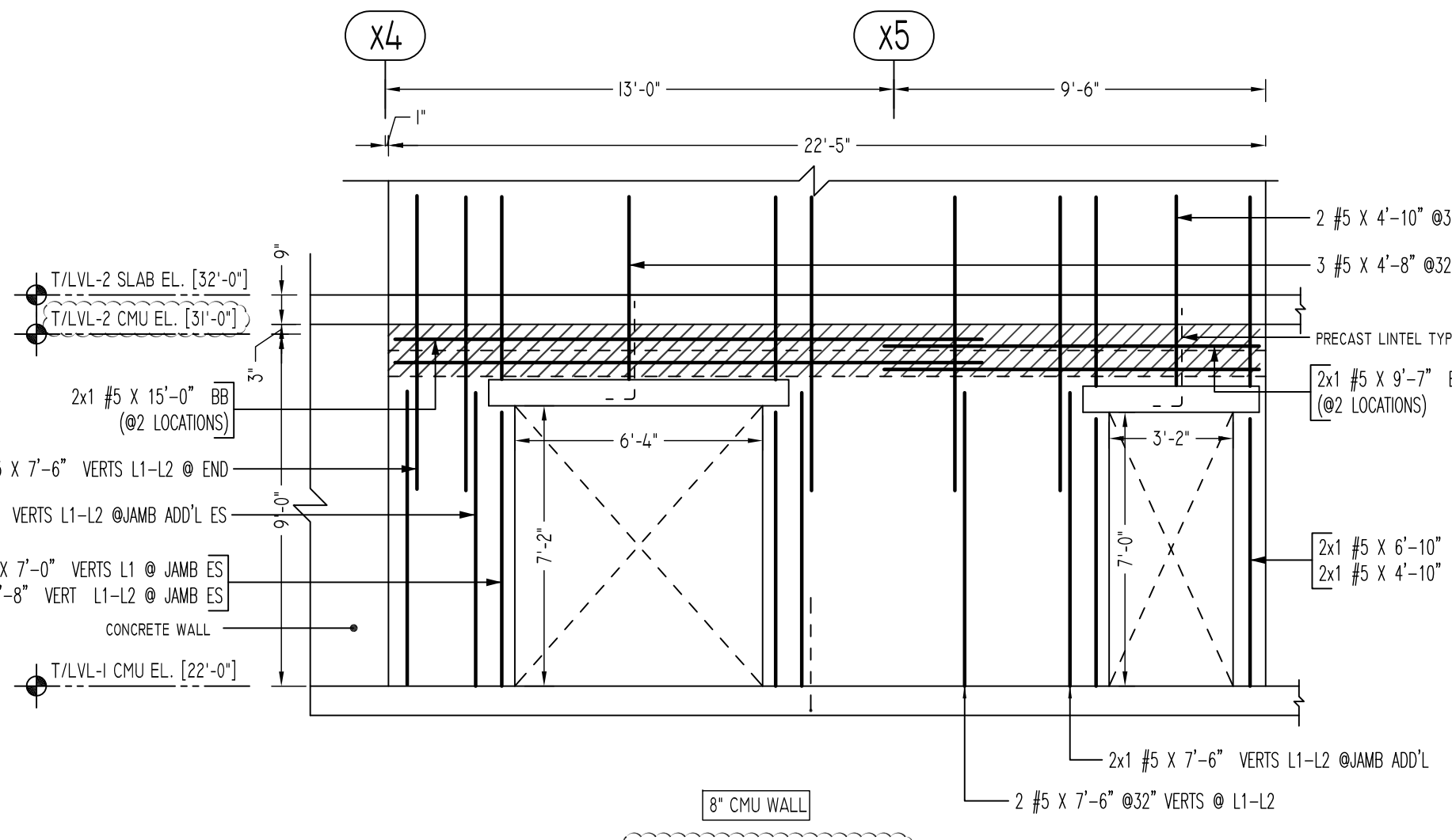
REVISION MARK	REVISION DETAILS	DATE
0	FOR APPROVAL	05/19/2022

PROJECT	CBUP LEE BARRACKS		
LOCATION	28 FEDERAL PLAZA, NEW YORK, NY 10278		
ARCHITECT	-		
ENGINEER	US ARMY CORPS OF ENGINEERS		
CUSTOMER	ACRANOM MASONRY		
DRAWN BY:	VGS/MRS	DATE:	05/19/22
REVIEWED BY:	T/L	DATE:	05/19/22
JOB NO.	22032		DRAWING NO.:
FIRST FLOOR TO SECOND FLOOR CMU REINFORCEMENT DETAILS			R12



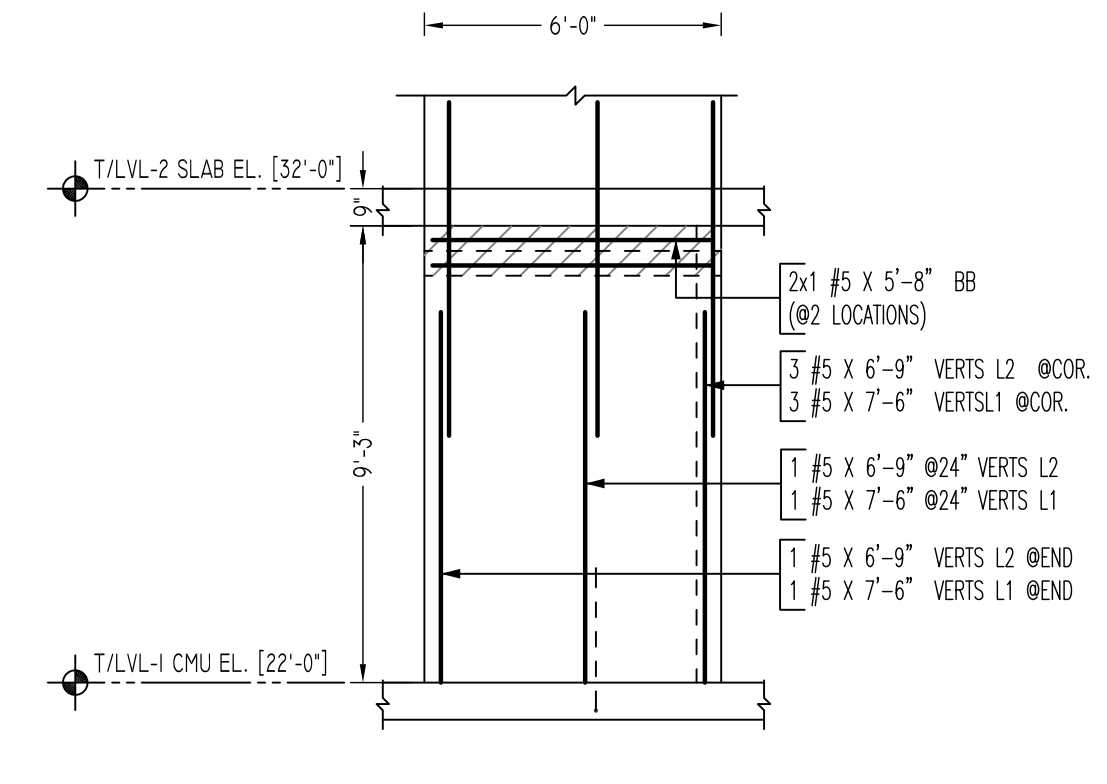
TYPICAL CMU WALL SECTION DETAILS
SCALE: 1/2" = 1'-0"
REF: -

TYPICAL VERTICAL BAR LAPPING DETAIL

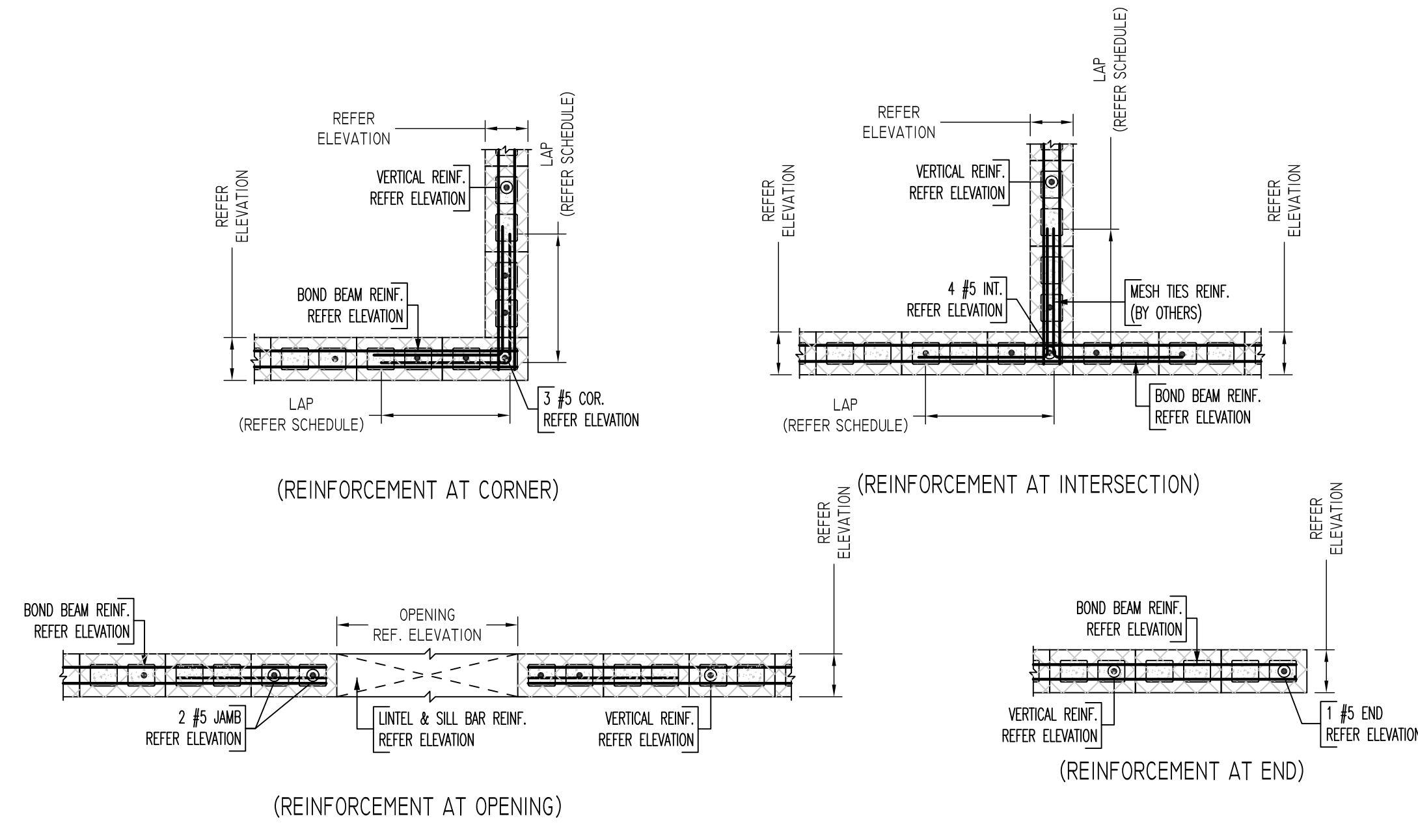


ELEVATION J
SCALE - 1/4" = 1'-0"
REF: A-101A & A-101B

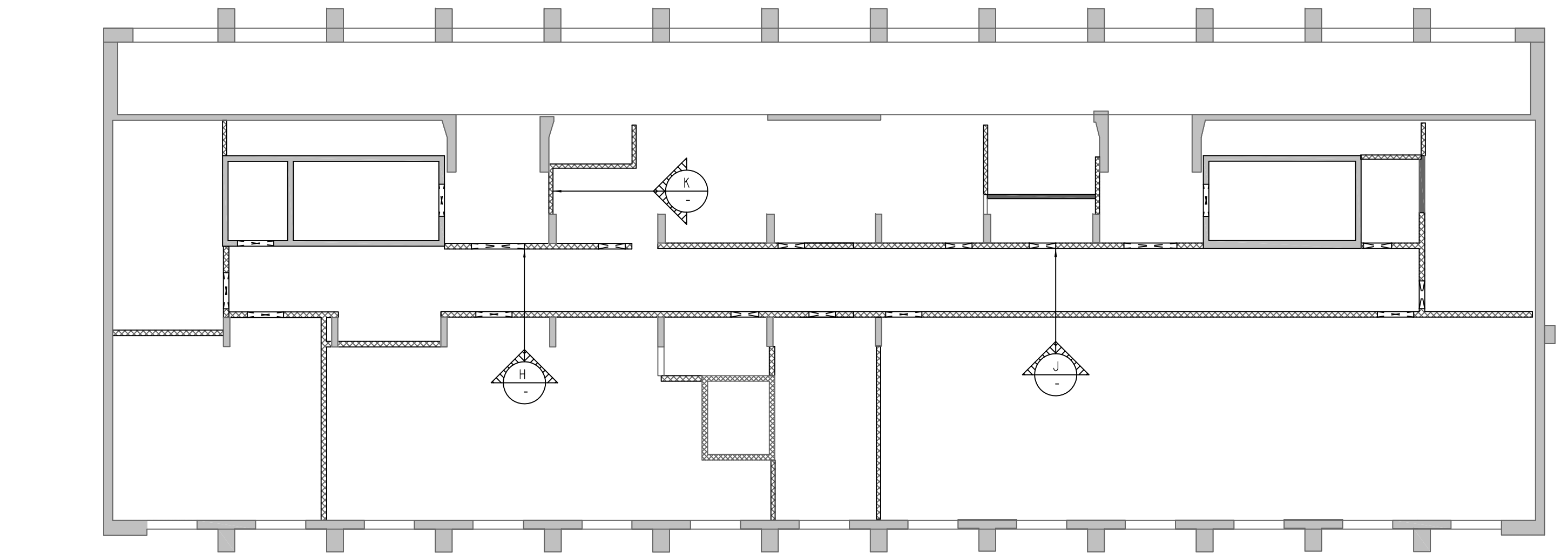
AVE PLEASE VERIFY WALL PROFILE & BAR ARRANGEMENT (TYP.)



ELEVATION K
SCALE - 1/4" = 1'-0"
REF: A-101A & A-101B



TYPICAL CMU WALL DETAILS
SCALE: 1/2" = 1'-0"
REF: -



FIRST FLOOR TO SECOND FLOOR CMU WALL LAYOUT
SCALE - 1/8" = 1'-0"
REF: A-101A & A-101B

**ALL BARS IN THIS DRAWING
ASTM A615 GRADE 60
BLACK UNCOATED**

LEGEND

- NO. OF LOCATION
- NO. OF LIFT
- NO. OF BARS
- 2x21 #5x6'-6" VERTS
- NO. OF LIFT (OR) NO. OF LOCATION
- NO. OF BARS
- 2x1 #5x6'-6" VERTS
- LIFT 1 TO LIFT 2
- 2x1 #5x6'-6" VERTS L1-L2

LAP SCHEDULE

SIZE	48 @ LAP
#3	18"
#4	24"
#5	30"
#6	36"
#7	42"
#8	48"
#9	55"
#10	61"
#11	68"

Abbreviations:

I.F.=Inside Face	OPNG=Opening
O.F.=Outside Face	BAL.=Balance
E.F.=Each Face	BTW.=Between
DWL=Dowel	CJ=Construction Joint
V=Vertical	CLR.=CLEARANCE
H=Horizontal	CMU=Concrete Masonry Unit
C.B.=Corner Bar	CONT.=Continuous
S.DWL.=Slab Dowel	EA.=Each
E.W.=Each Way	Elev.=Elevation
B/BOT.=Bottom	EMB.=Embedment
T=Top	SW = Short Way
MDWL.=Masonry Dowel	LW=Long Way
B.B.=Bond Beam	(BL)=Black Bar
ALT.=Alternate	(EP)=Epoxy Bar
Approx.=Approximate	(GA)=Galvanized

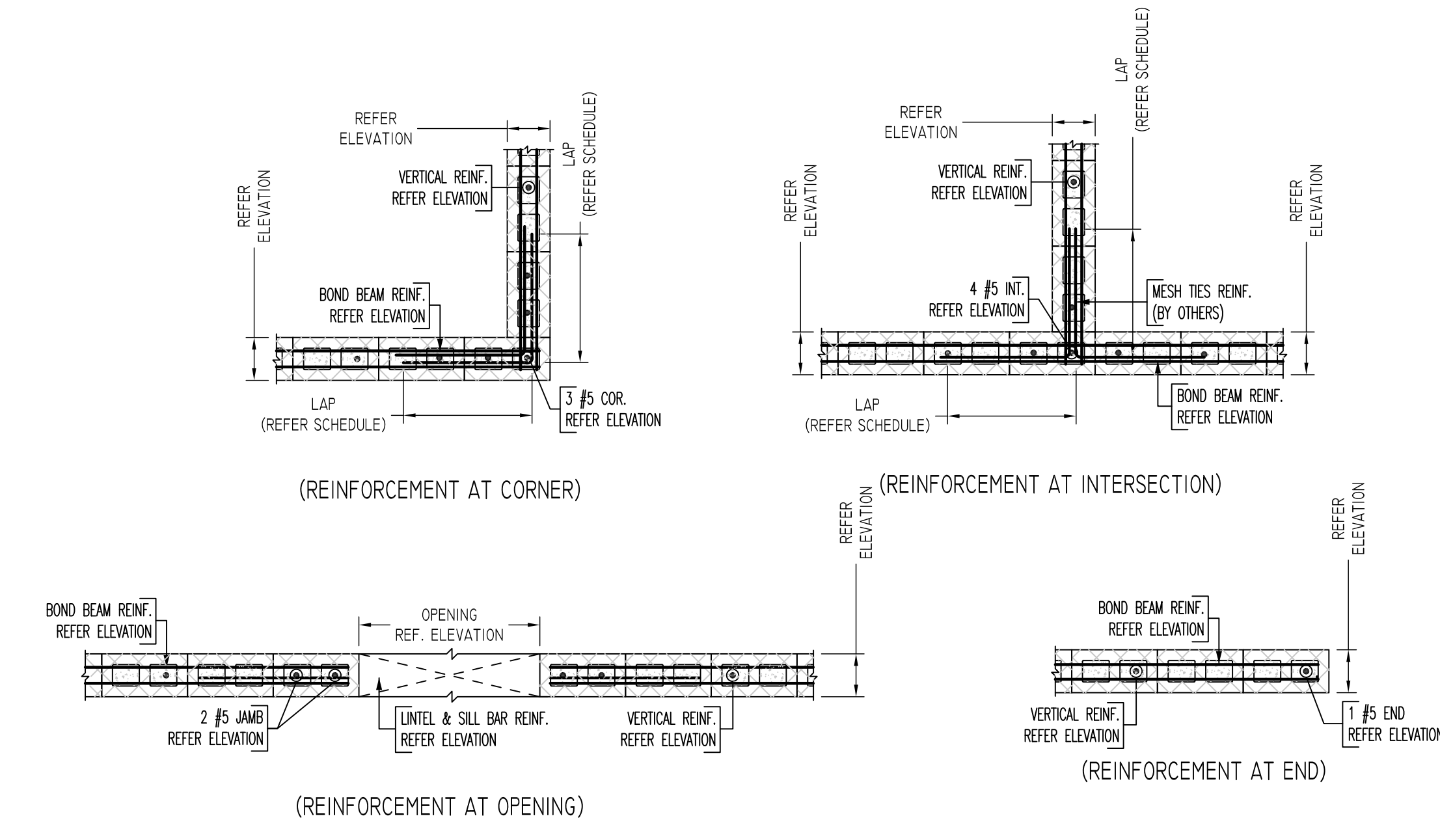
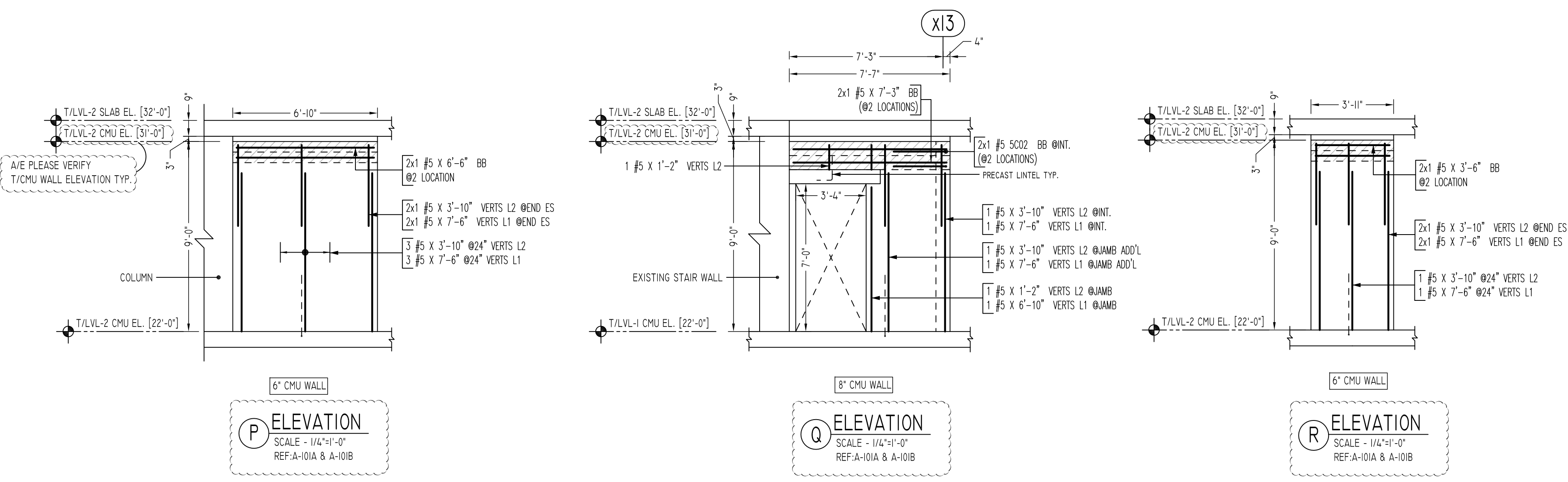
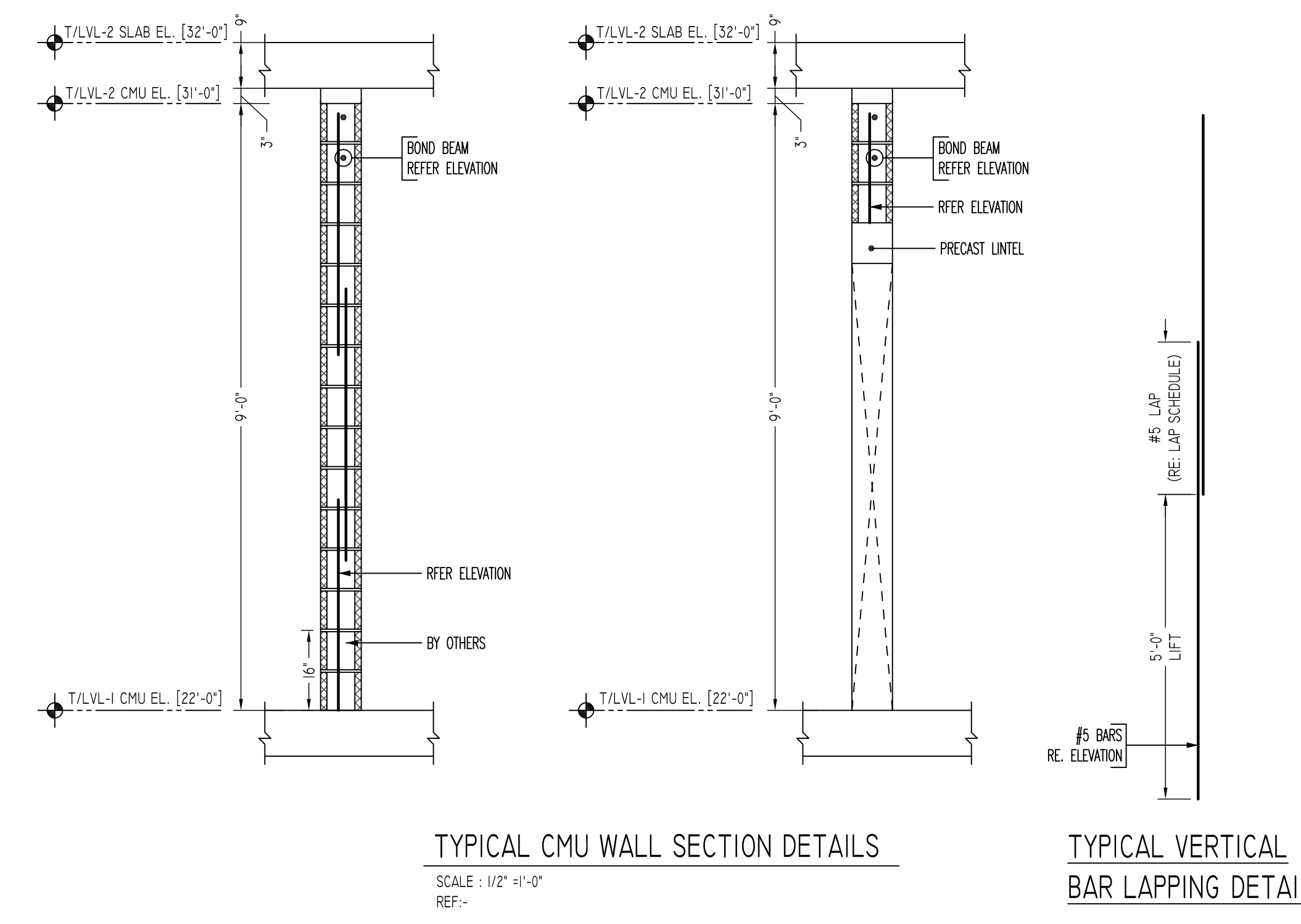
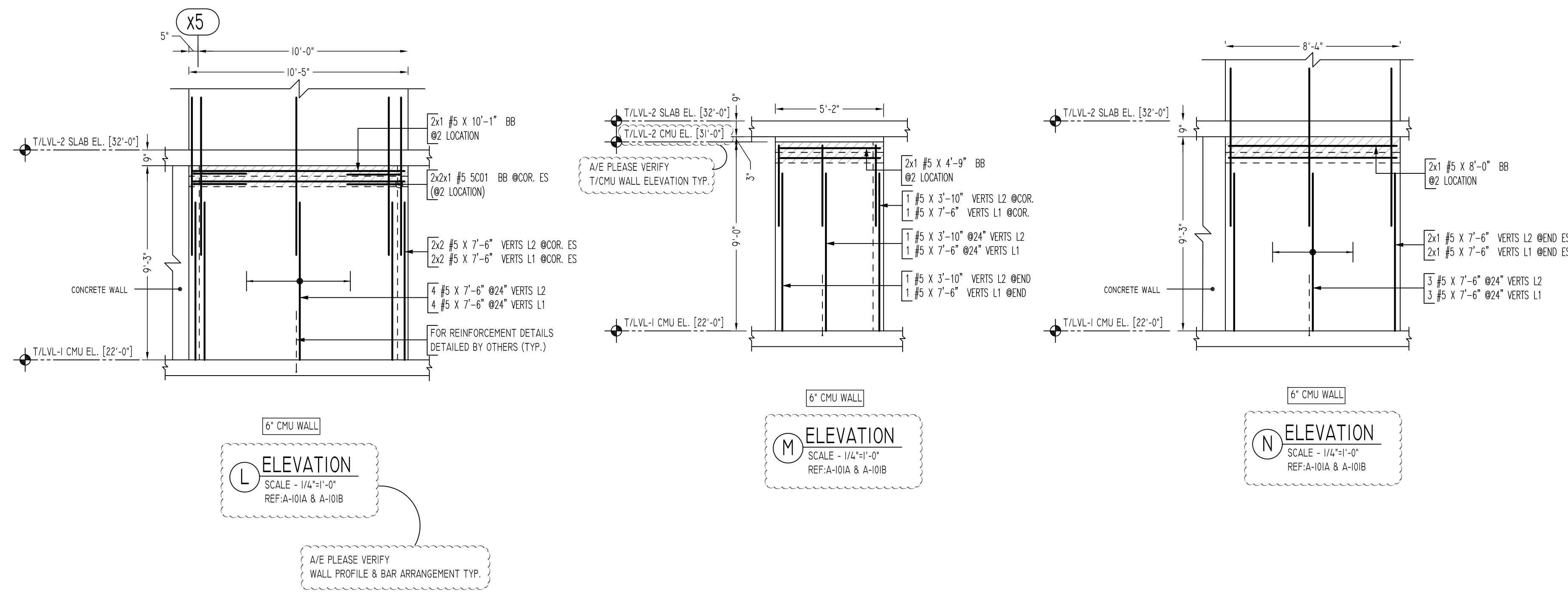
NOTICE

Shortages, improper fabrication or claims for any other reason must be reported to this company within a period of 15 days of delivery. This company reserves the right to field inspect prior to replacement or reconditioning of nonconforming material, and will not honor charges for work done in the field without specific authorization from this company.

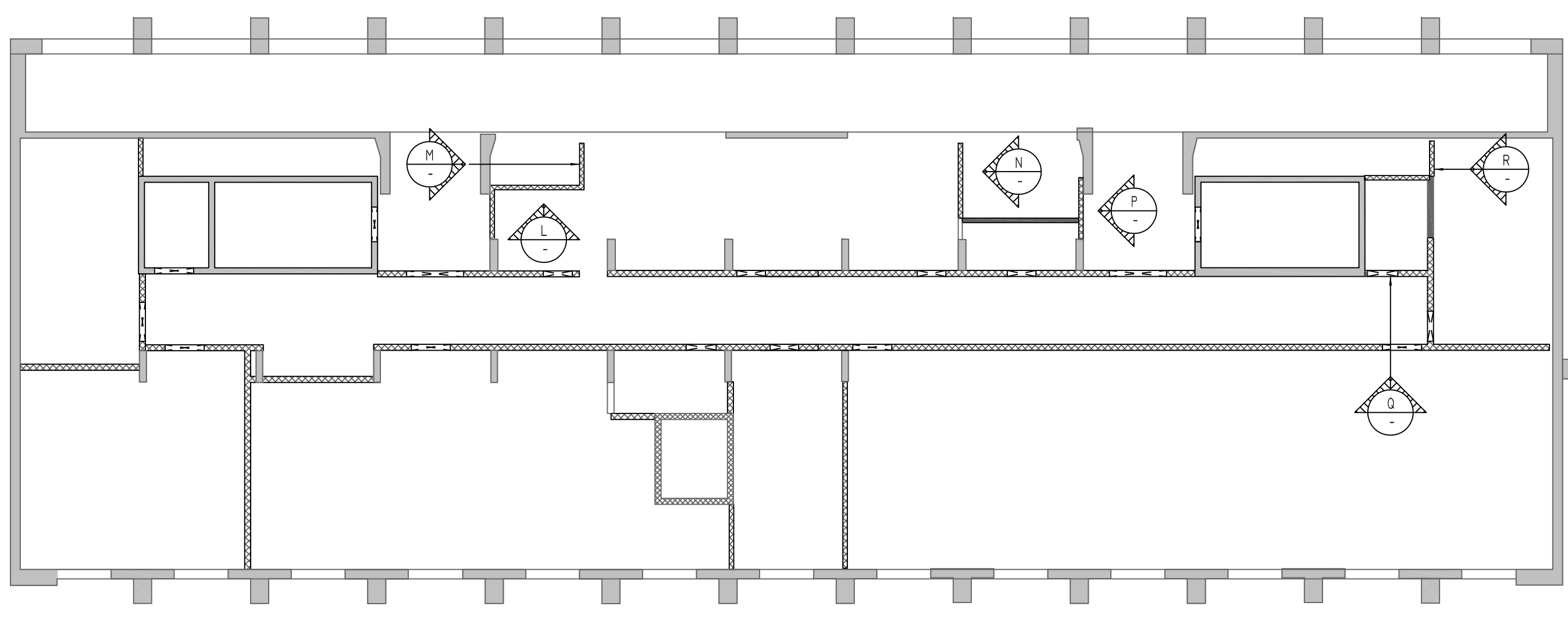
REINFORCING STEEL PLACING DRAWINGS ONLY USE IN CONJUNCTION WITH CONTRACT DRAWINGS & SPECIFICATIONS. ELEVATIONS & DIMENSIONS SHOWN ON THIS DRAWING ARE FOR DETAILING PURPOSES ONLY AND SHOULD NOT BE USED FOR CONSTRUCTION UNLESS VERIFIED BY ENGINEER OR CONTRACTOR.

REVISION MARK	REVISION DETAILS	DATE
0	FOR APPROVAL	05/19/2022

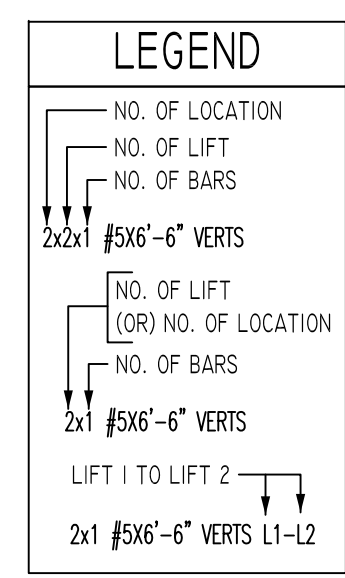
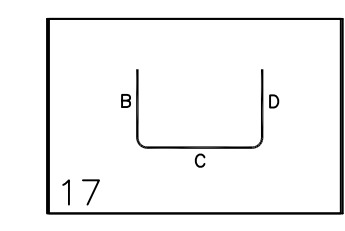
PROJECT	CBUP LEE BARRACKS						
LOCATION	28 FEDERAL PLAZA, NEW YORK, NY 10278						
ARCHITECT	-						
ENGINEER	US ARMY CORPS OF ENGINEERS						
CUSTOMER	ACRANOM MASONRY						
DRAWN BY:	VGS/MRS	DATE:	05/19/22	REVIEWED BY:	T/L	JOB NO.:	22032
DRAWING TITLE:							DRAWING NO.:
FIRST FLOOR TO SECOND FLOOR CMU REINFORCEMENT DETAILS							R13



TYPICAL CMU WALL DETAILS
SCALE: 1/2"=1'-0"
REF:-



BENDING DETAILS											
Bar Mark	Qty	Size	Total Length	Type	X	Y	Z	W	V	U	T
SC01	4	#5	5'-0"	17							



SIZE	L4 @ LAP
#3	18"
#4	24"
#5	30"
#6	36"
#7	42"
#8	48"
#9	55"
#10	61"
#11	68"

**ALL BARS IN THIS DRAWING
ASTM A615 GRADE 60
BLACK UNCOATED**

Abbreviations:
I.F.=Inside Face
O.F.=Outside Face
E.F.=Each Face
DWL=Dowel
V=Vertical
H=Horizontal
C.B.=Corner Bar
S.DWL=Slab Dowel
E.W.=Each Way
B/BOT=Bottom
T=Top
MDWL= Masonry Dowel
B.B.=Bond Beam
ALT.=Alternate
Approx.=Approximate

OPNG=Opening
BAL.=Balance
BTW.=Between
CJ=Construction Joint
CLR.=CLEARANCE
CMU=Concrete Masonry Unit
CONT.=Continuous
EA.=Each
Elev.=Elevation
EMB.=Embedment
SW = Short Way
LW=Long Way
(BL)=Black Bar
(EP)=Epoxy Bar
(GA)=Galvanized

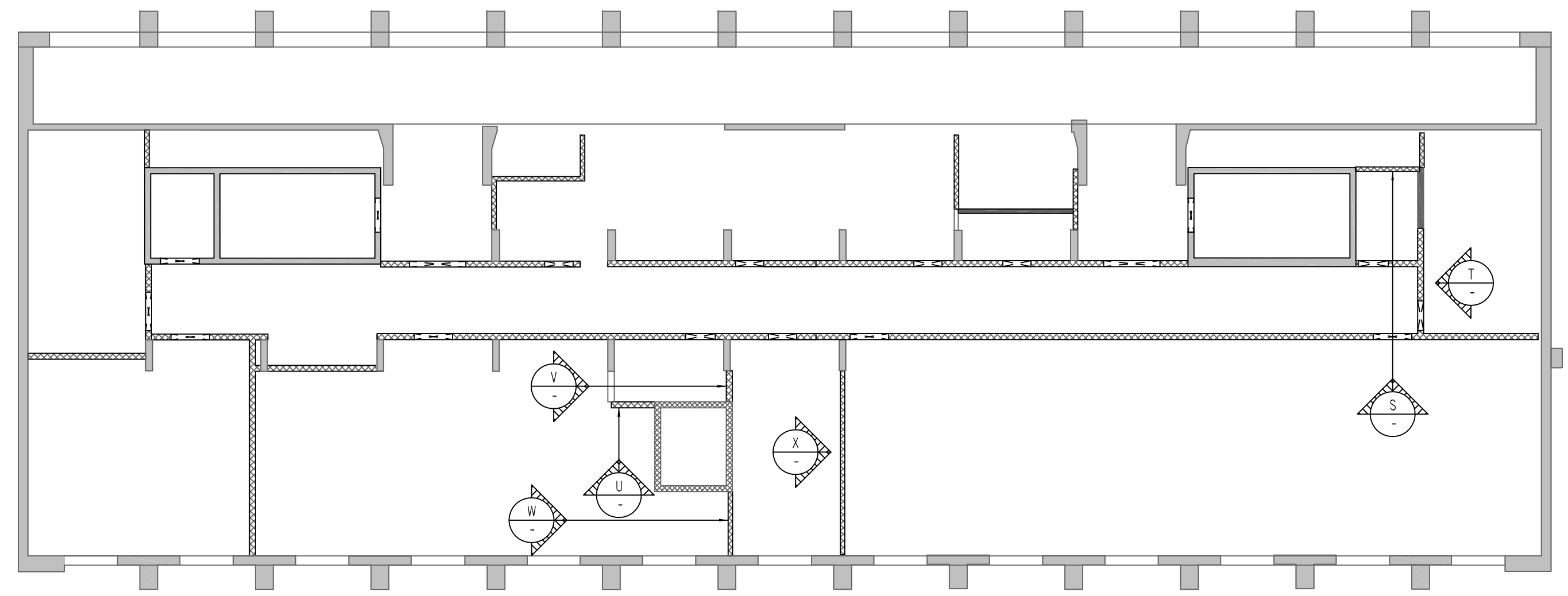
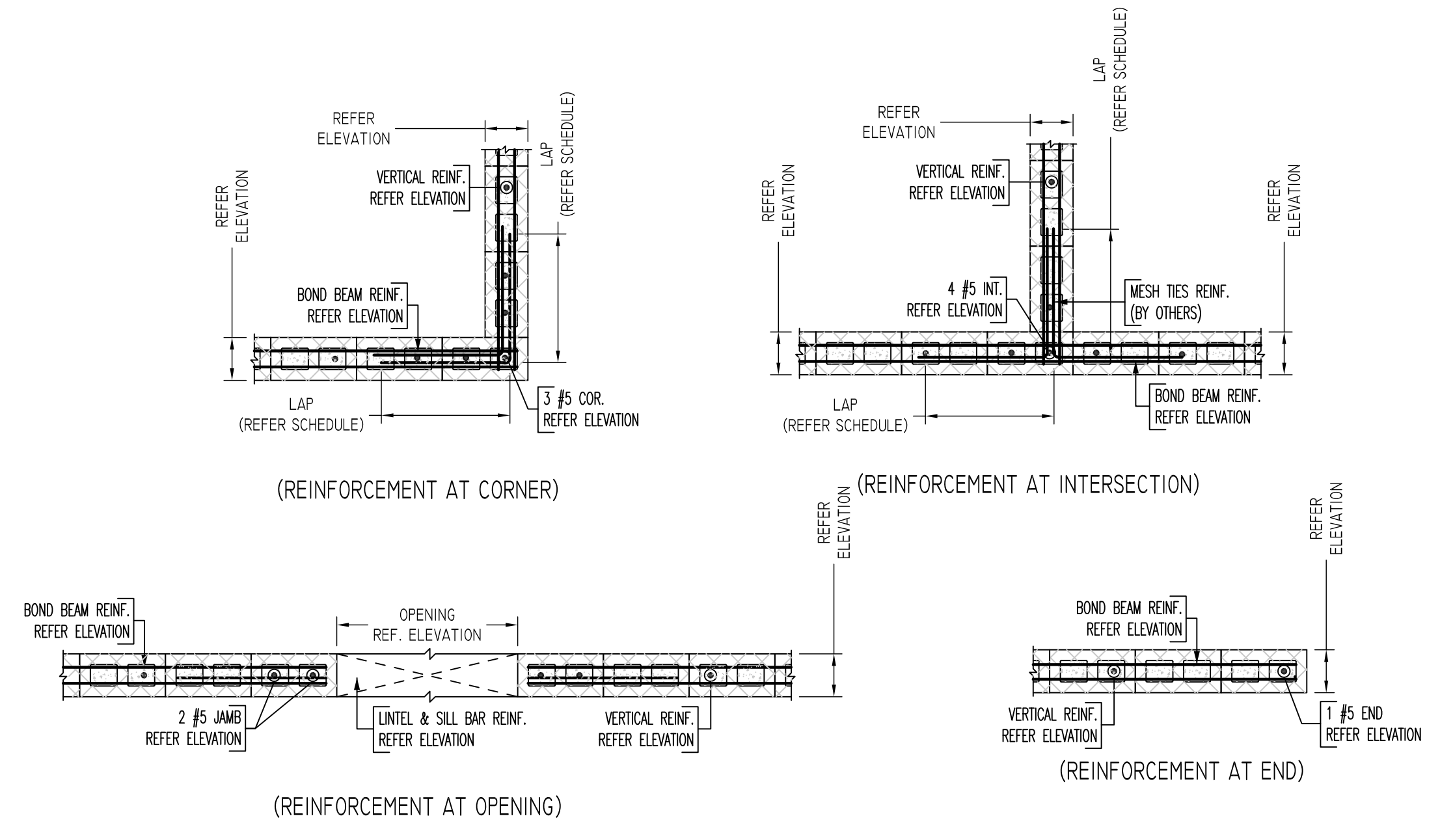
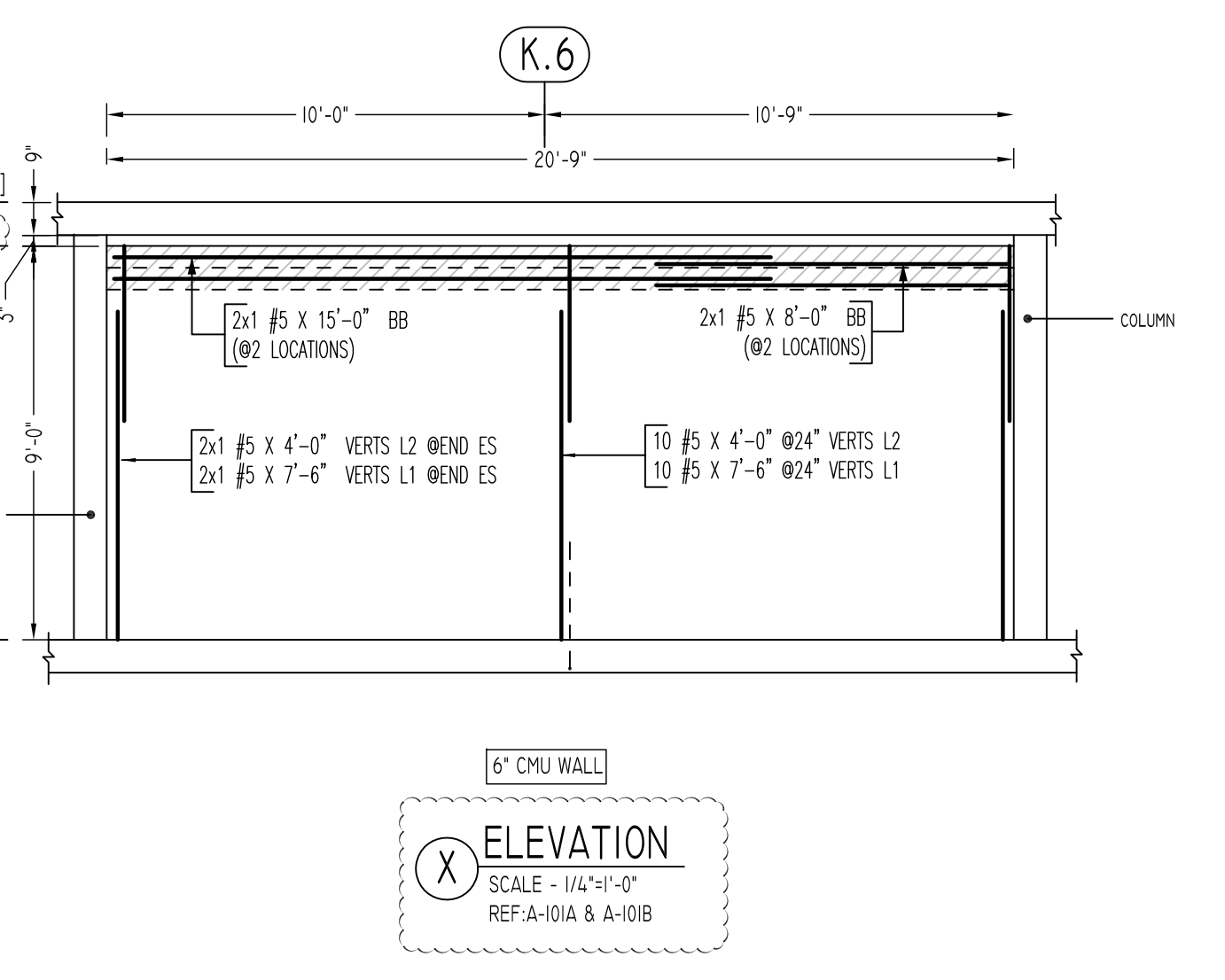
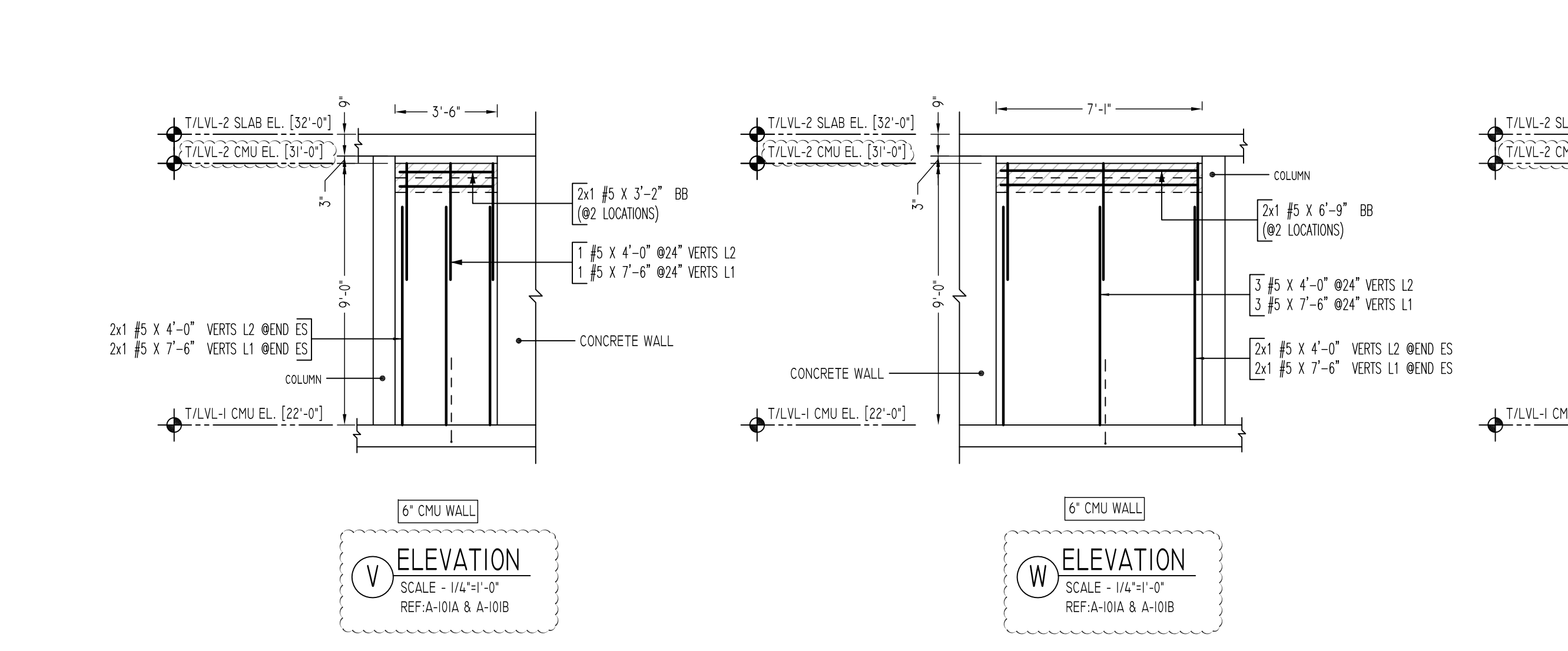
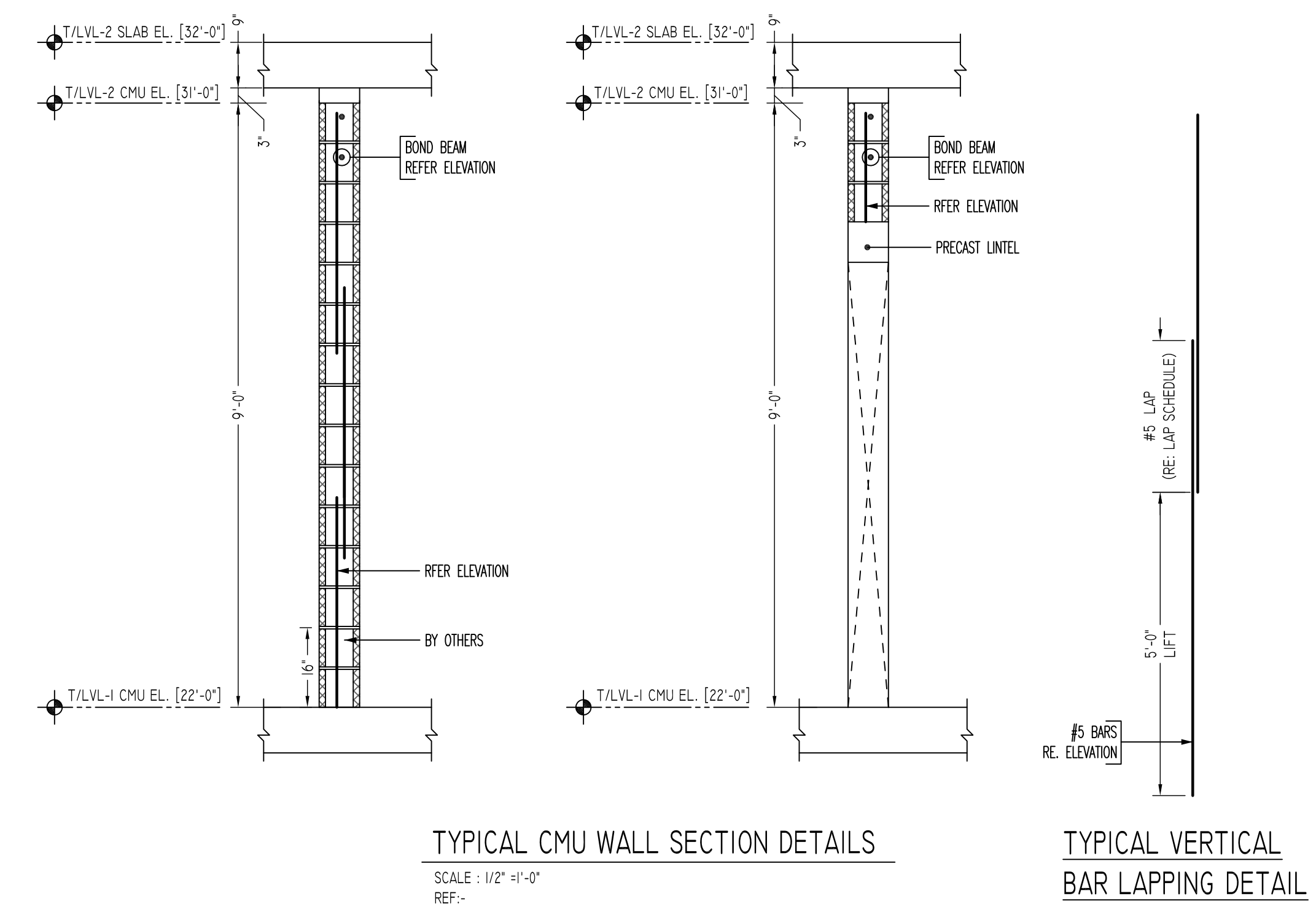
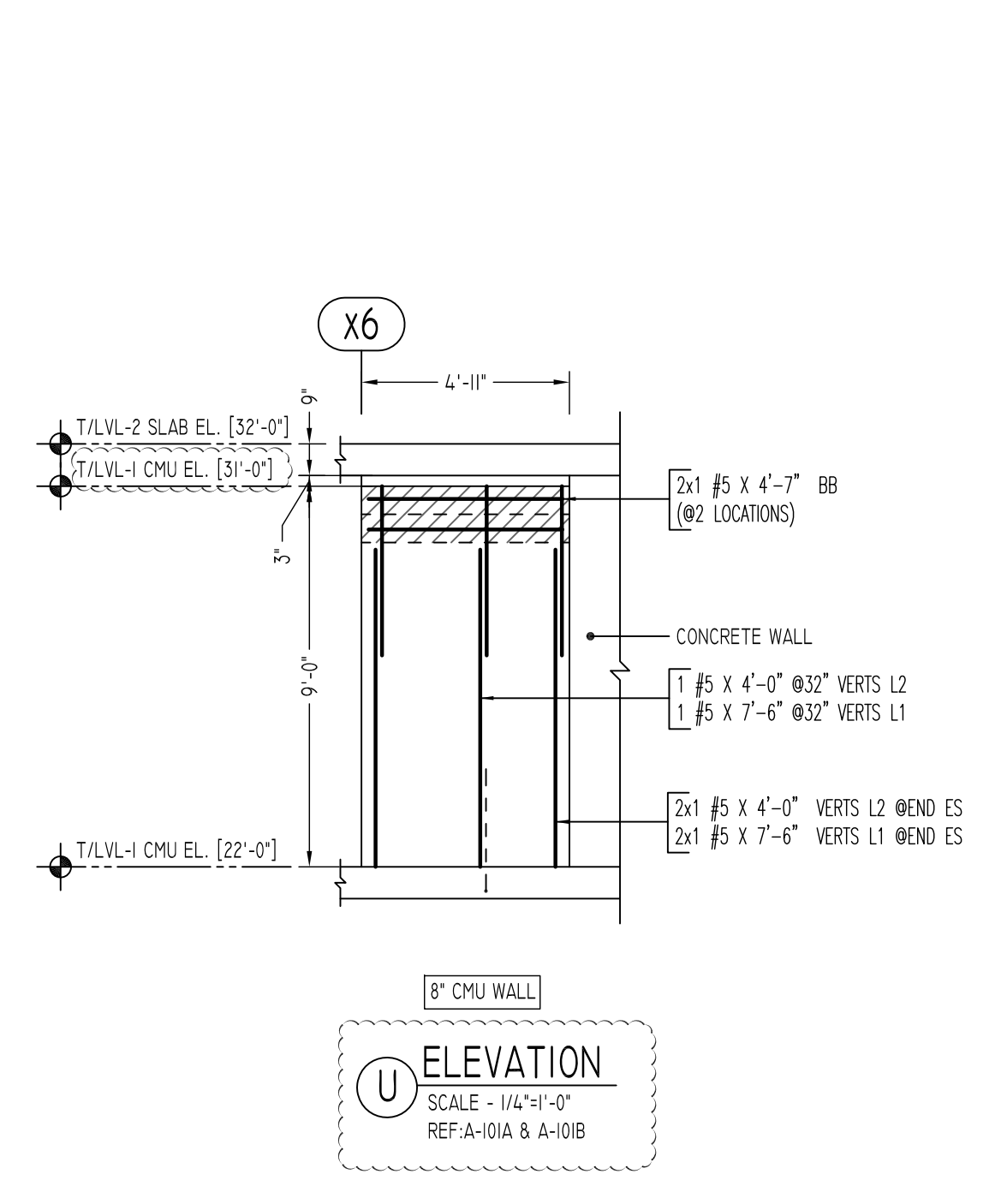
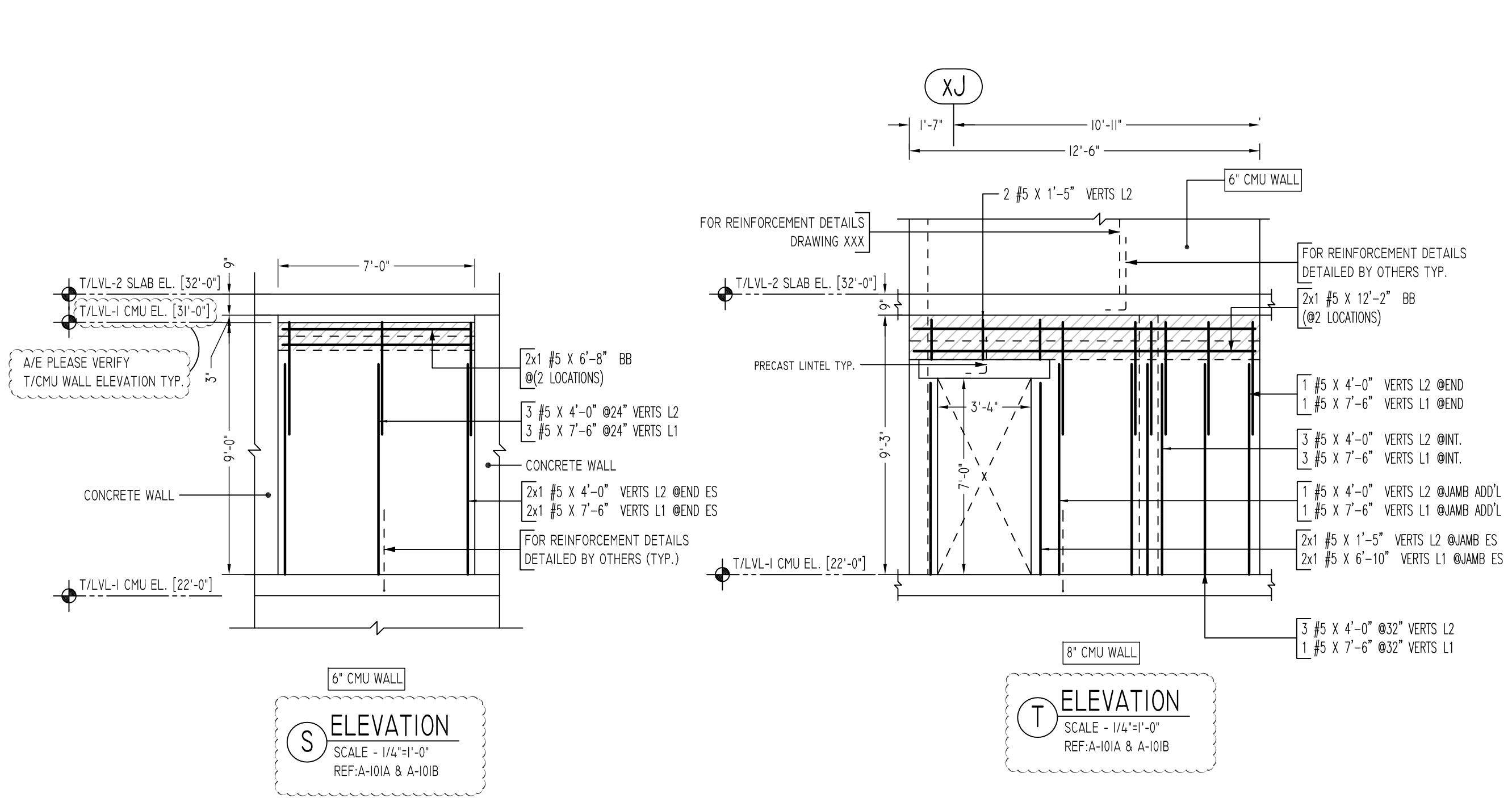
NOTICE

Shortages, improper fabrication or claims for any other reason must be reported to this company within a period of 15 days of delivery. This company reserves the right to field inspection prior to replacement or reconditioning of nonconforming material, and will not honor charges for work done in the field without specific authorization from this company.

REINFORCING STEEL PLACING DRAWINGS ONLY USE IN CONJUNCTION WITH CONTRACT DRAWINGS & SPECIFICATIONS. ELEVATIONS & DIMENSIONS SHOWN ON THIS DRAWING ARE FOR DETAILING PURPOSES ONLY AND SHOULD NOT BE USED FOR CONSTRUCTION UNLESS VERIFIED BY ENGINEER OR CONTRACTOR.

REVISION MARK	REVISION DETAILS	DATE
0	FOR APPROVAL	05/19/2022

PROJECT	CBUP LEE BARRACKS						
LOCATION	28 FEDERAL PLAZA, NEW YORK, NY 10278						
ARCHITECT	-						
ENGINEER	US ARMY CORPS OF ENGINEERS						
CUSTOMER	ACRANOM MASONRY						
DRAWN BY:	VGS/MRS	DATE:	05/19/22	REVIEWED BY:	T/L	JOB NO.:	22032
DRAWING TITLE:							DRAWING NO.:
FIRST FLOOR TO SECOND FLOOR CMU REINFORCEMENT DETAILS							R14



FIRST FLOOR TO SECOND FLOOR CMU WALL LAYOUT
SCALE - NTS
REF: A-101A & A-101B

**ALL BARS IN THIS DRAWING
ASTM A615 GRADE 60
BLACK UNCOATED**

LEGEND

- NO. OF LOCATION
- NO. OF LIFT
- NO. OF BARS
- 2x21 #5x6'-6" VERTS
- NO. OF LIFT (OR) NO. OF LOCATION
- NO. OF BARS
- 2x1 #5x6'-6" VERTS
- LIFT 1 TO LIFT 2
- 2x1 #5x6'-6" VERTS L1-L2

LAP SCHEDULE

SIZE	48 Ø LAP
#3	18"
#4	24"
#5	30"
#6	36"
#7	42"
#8	48"
#9	55"
#10	61"
#11	68"

Abbreviations:
 I.F.=Inside Face
 O.F.=Outside Face
 E.F.=Each Face
 DWL=Dowel
 V=Vertical
 H=Horizontal
 C.B.=Corner Bar
 S.DWL=Slab Dowel
 E.W.=Each Way
 B/BOT=Bottom
 T=Top
 MDWL=Masonry Dowel
 B.B.=Bond Beam
 ALT.=Alternate
 Approx.=Approximate

OPNG=Opening
 BAL.=Balance
 BTW=Between
 CJ=Construction Joint
 CLR.=CLEARANCE
 CMU=Concrete Masonry Unit
 CONT.=Continuous
 EA.=Each
 Elev.=Elevation
 EMB=Embedment
 SW=Short Way
 LW=Long Way
 (BL)=Black Bar
 (EP)=Epoxy Bar
 (GA)=Galvanized

NOTICE

Shortages, improper fabrication or claims for any other reason must be reported to this company within a period of 15 days of delivery. This company reserves the right to field inspect prior to replacement or reconditioning of nonconforming material, and will not honor charges for work done in the field without specific authorization from this company.

REINFORCING STEEL PLACING DRAWINGS ONLY USE IN CONJUNCTION WITH CONTRACT DRAWINGS & SPECIFICATIONS. ELEVATIONS & DIMENSIONS SHOWN ON THIS DRAWING ARE FOR DETAILING PURPOSES ONLY AND SHOULD NOT BE USED FOR CONSTRUCTION UNLESS VERIFIED BY ENGINEER OR CONTRACTOR.

REVISION MARK	REVISION DETAILS	DATE
0	FOR APPROVAL	05/19/2022

PROJECT	CBUP LEE BARRACKS						
LOCATION	28 FEDERAL PLAZA, NEW YORK, NY 10278						
ARCHITECT	-						
ENGINEER	US ARMY CORPS OF ENGINEERS						
CUSTOMER	ACRANOM MASONRY						
DRAWN BY:	VGS/MRS	DATE:	05/19/22	REVIEWED BY:	T/L	JOB NO.	22032
DRAWING TITLE:						DRAWING NO.:	R15
FIRST FLOOR TO SECOND FLOOR CMU REINFORCEMENT DETAILS							