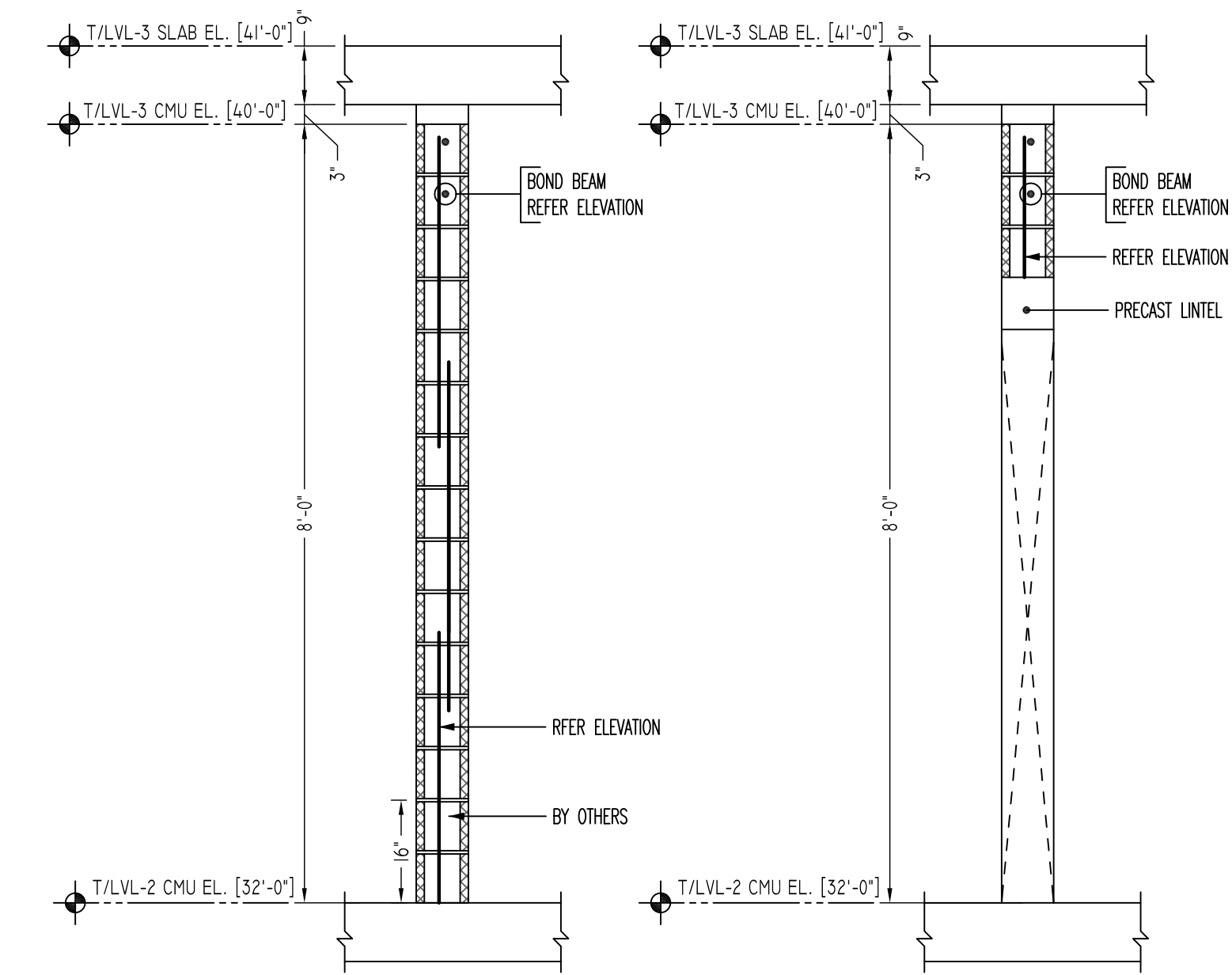
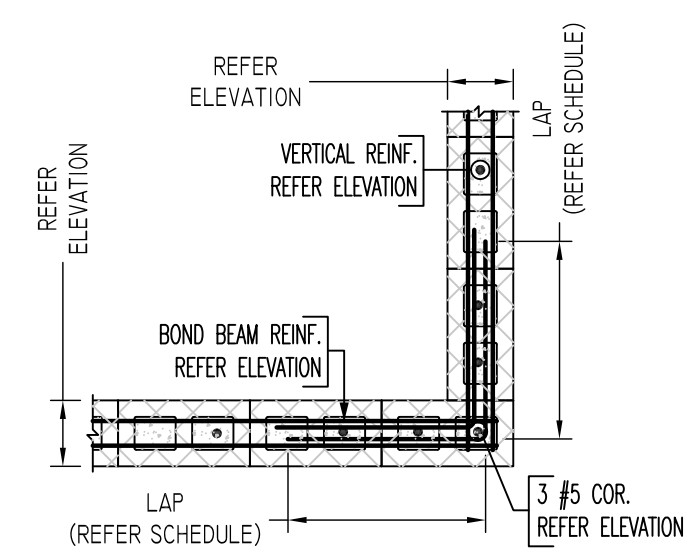


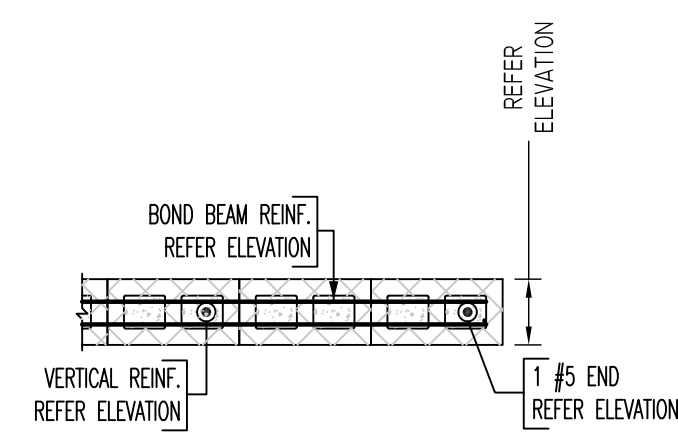
SECOND FLOOR TO THIRD FLOOR CMU WALL LAYOUT
 SCALE - 1/8"=1'-0"
 REF-A-102A-A-102B



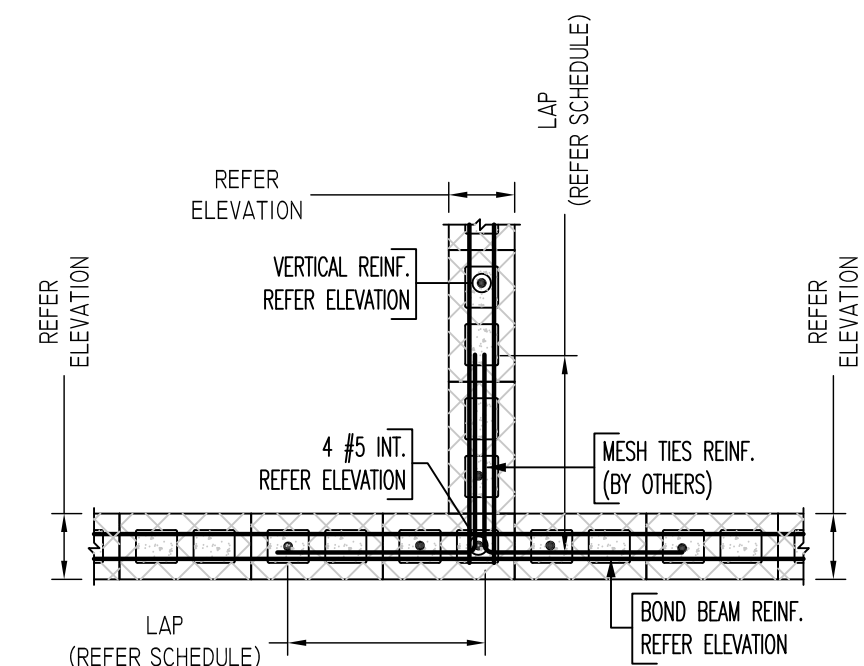
TYPICAL CMU WALL SECTION DETAILS
 SCALE : 1/2" =1'-0"
 REF:-



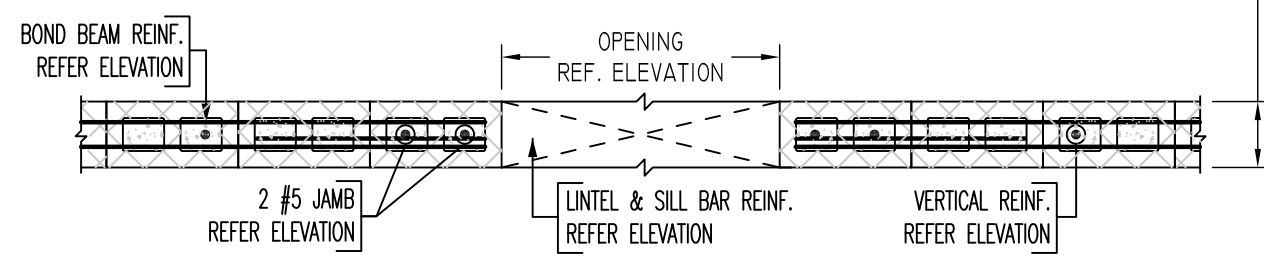
(REINFORCEMENT AT CORNER)



(REINFORCEMENT AT END)

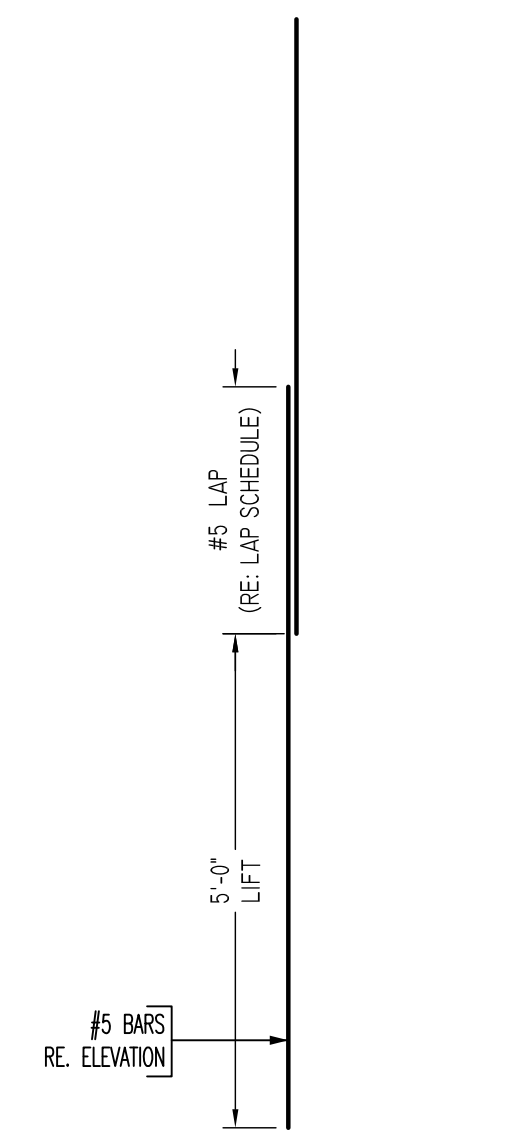


(REINFORCEMENT AT INTERSECTION)



(REINFORCEMENT AT OPENING)

TYPICAL CMU WALL DETAILS
 SCALE : 1/2" =1'-0"
 REF:-



TYPICAL VERTICAL BAR LAPPING DETAIL

ALL BARS IN THIS DRAWING
 ASTM A615 GRADE 60
 BLACK UNCOATED

LEGEND

NO. OF LOCATION	NO. OF LIFT	NO. OF BARS
2x2x1	#5X6'-6" VERTS	
NO. OF LIFT (OR) NO. OF LOCATION	NO. OF BARS	
2x1	#5X6'-6" VERTS	
LIFT 1 TO LIFT 6	2x1	#5X6'-6" VERTS L1-L6

LAP SCHEDULE

SIZE	48" LAP
#3	18"
#4	24"
#5	30"
#6	36"
#7	42"
#8	48"
#9	54"
#10	60"
#11	66"

Abbreviations:

I.F.=Inside Face	OPNG=Opening
O.F.=Outside Face	BAL=Balance
E.F.=Each Face	BTW=Between
DWL=Dowel	CJ=Construction Joint
V=Vertical	CLR=CLEARANCE
H=Horizontal	CMU=Concrete Masonry Unit
C.B.=Corner Bar	CONT.=Continuous
S.DWL=Slab Dowel	EA=Each
E.W.=Each Way	Elev.=Elevation
B/BOT=Bottom	EMB=Embedment
T=Top	SW=Short Way
MDWL=Masonry Dowel	LW=Long Way
B.B.=Bond Beam	(BL)=Black Bar
ALT.=Alternate	(EP)=Epoxy Bar
Approx.=Approximate	(GA)=Galvanized

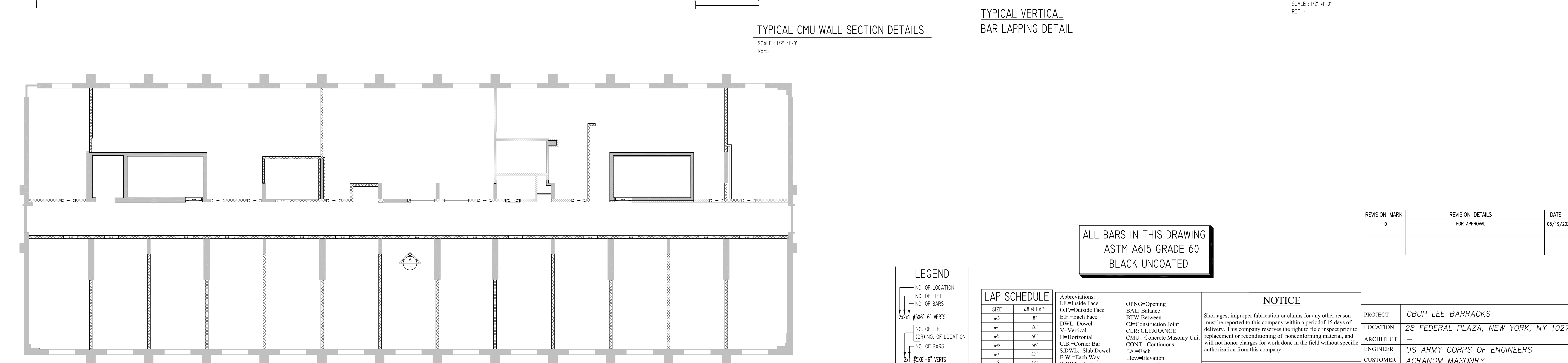
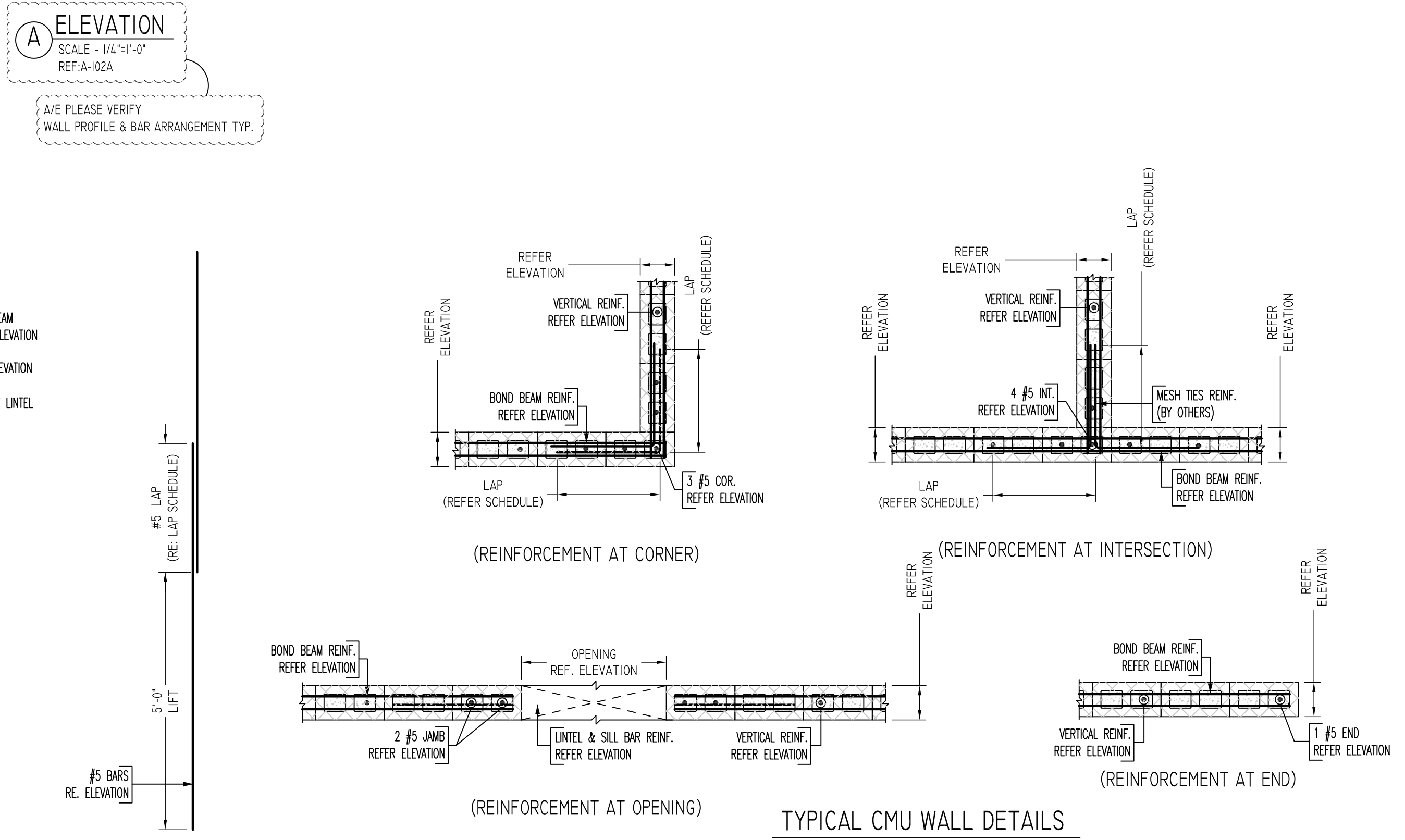
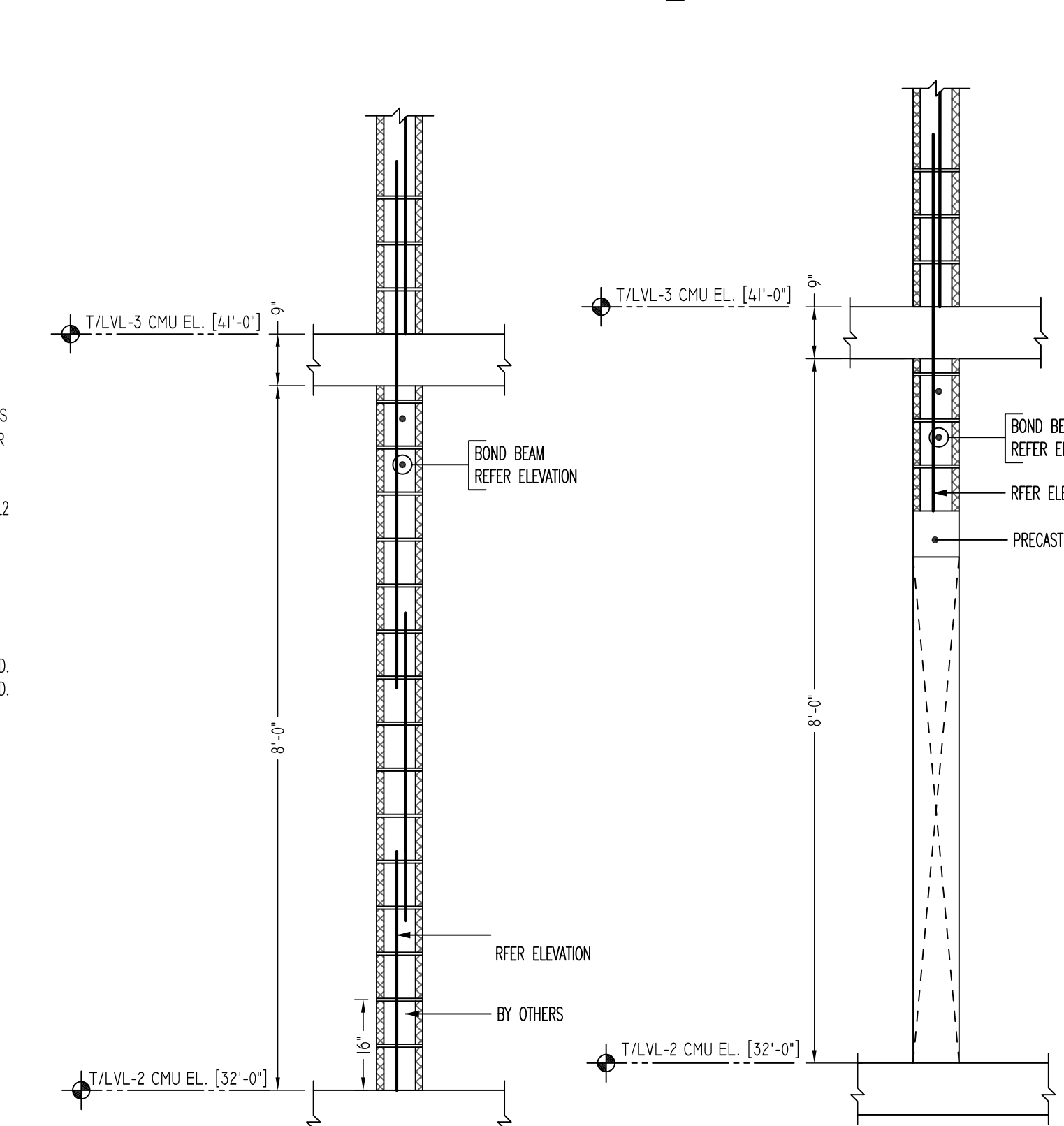
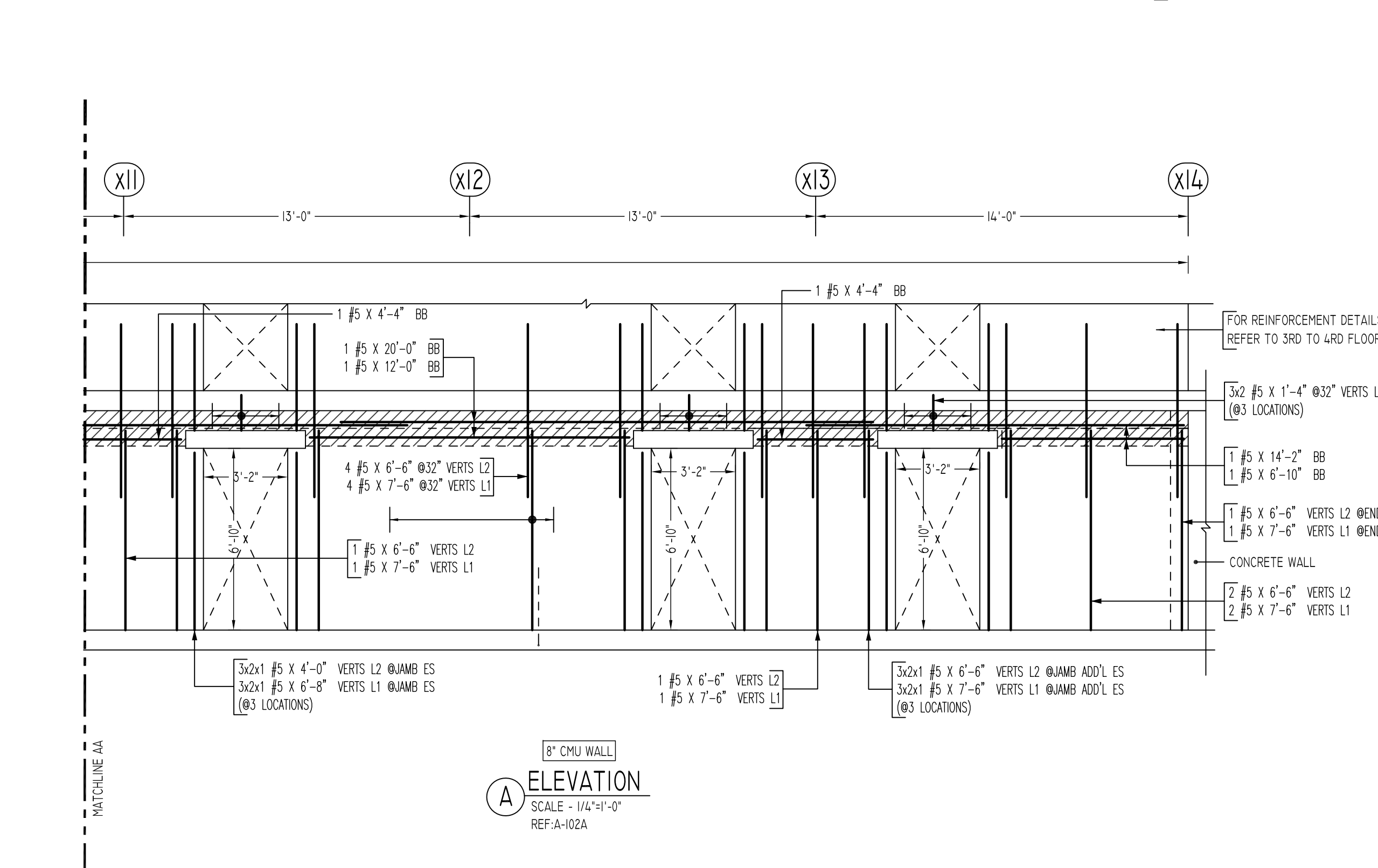
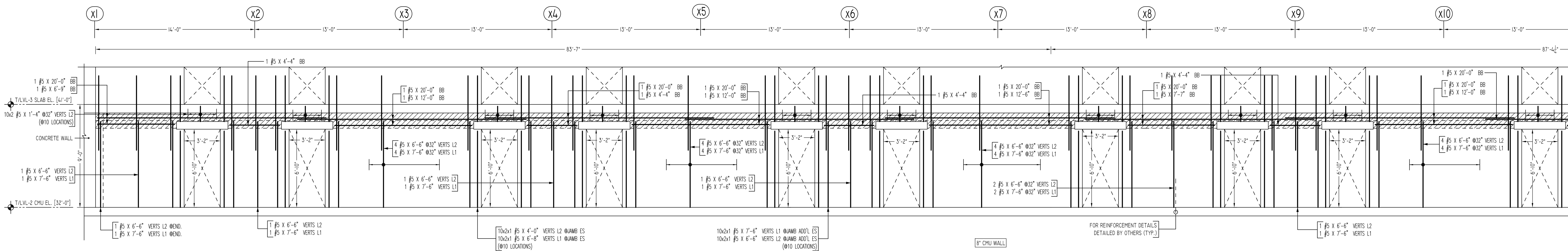
NOTICE

Shortages, improper fabrication or claims for any other reason must be reported to this company within a period of 15 days of delivery. This company reserves the right to field inspect prior to replacement or reconditioning of nonconforming material, and will not honor charges for work done in the field without specific authorization from this company.

REINFORCING STEEL PLACING DRAWINGS ONLY USE IN CONJUNCTION WITH CONTRACT DRAWINGS & SPECIFICATIONS. ELEVATIONS & DIMENSIONS SHOWN ON THIS DRAWING ARE FOR DETAILING PURPOSES ONLY AND SHOULD NOT BE USED FOR CONSTRUCTION UNLESS VERIFIED BY ENGINEER OR CONTRACTOR.

REVISION MARK	REVISION DETAILS	DATE
0	FOR APPROVAL	05/19/2022

PROJECT	CBUP LEE BARRACKS						
LOCATION	28 FEDERAL PLAZA, NEW YORK, NY 10278						
ARCHITECT	-						
ENGINEER	US ARMY CORPS OF ENGINEERS						
CUSTOMER	ACRANOM MASONRY						
DRAWN BY:	VGS/MRS	DATE:	05/19/22	REVIEWED BY:	T/L	JOB NO.:	22032
DRAWING TITLE:							DRAWING NO.:
SECOND FLOOR TO THIRD FLOOR CMU WALL REINFORCEMENT DETAILS							R16



ALL BARS IN THIS DRAWING
ASTM A615 GRADE 60
BLACK UNCOATED

LEGEND

NO. OF LOCATION
NO. OF LIFT
NO. OF BARS

22x1 #5X6'-6" VERTS

NO. OF LIFT (OR) NO. OF LOCATION
NO. OF BARS

2x1 #5X6'-6" VERTS

LIFT 1 TO LIFT 6

2x1 #5X6'-6" VERTS L1-16

LAP SCHEDULE

SIZE	48 Ø LAP
#3	18"
#4	24"
#5	30"
#6	36"
#7	42"
#8	48"
#9	55"
#10	61"
#11	68"

Abbreviations:
I.F.=Inside Face
O.F.=Outside Face
E.F.=Each Face
DWL=Dowel
V=Vertical
H=Horizontal
C.B.=Corner Bar
S.DWL=Slab Dowel
E.W.=Each Way
B/BOT=Bottom
T=Top
MDWL=Masonry Dowel
B.B.=Bond Beam
ALT.=Alternate
Approx.=Approximate

OPNG=Opening
BAL=Balance
BTW=Between
CJ=Construction Joint
CLR=CLEARANCE
CMU=Concrete Masonry Unit
CONT.=Continuous
EA=Each
Elev.=Elevation
EMB=Embedment
SW=Short Way
LW=Long Way
(BL)=Black Bar
(EP)=Epoxy Bar
(GA)=Galvanized

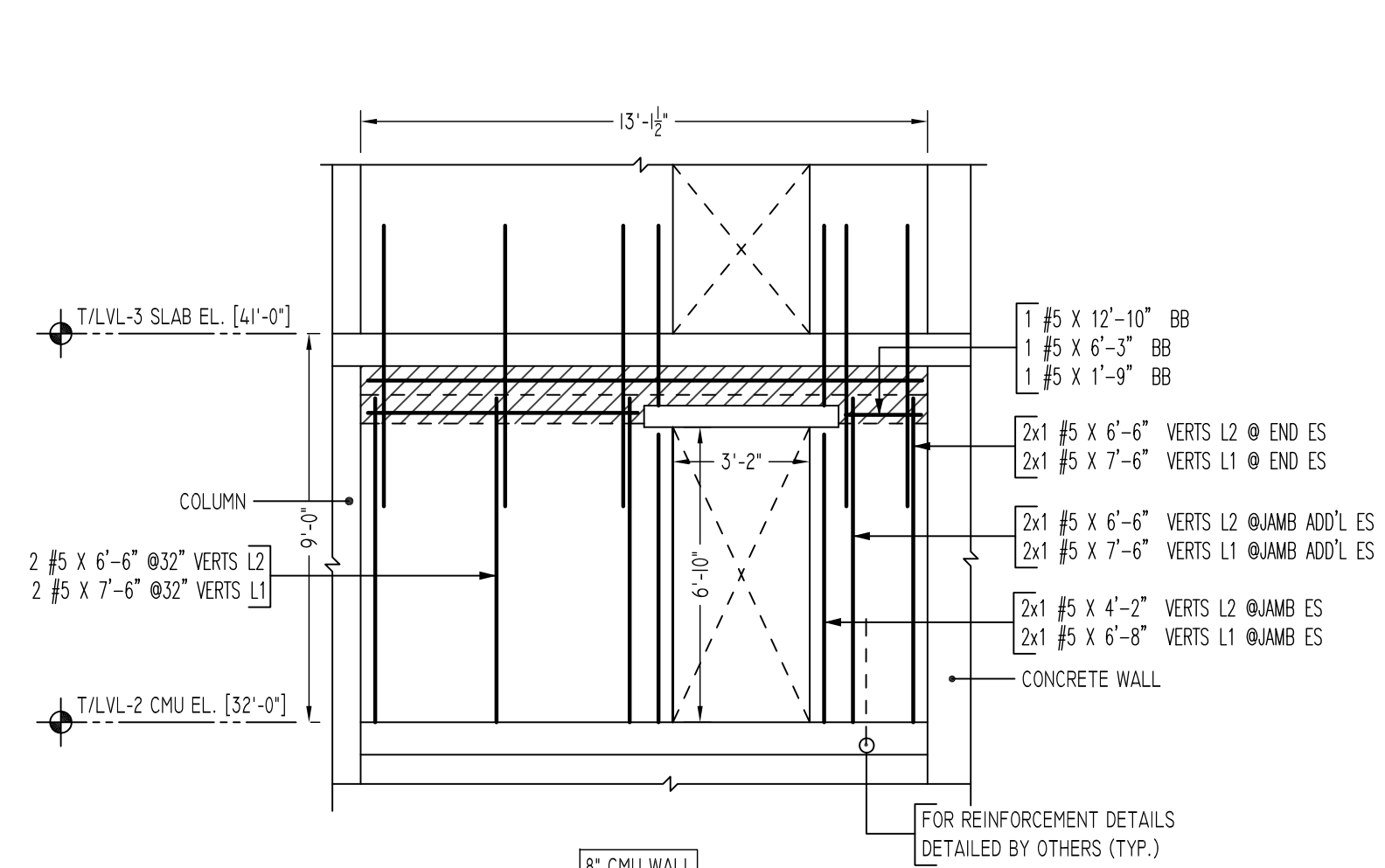
NOTICE

Shortages, improper fabrication or claims for any other reason must be reported to this company within a period of 15 days of delivery. This company reserves the right to field inspect prior to replacement or reconditioning of nonconforming material, and will not honor charges for work done in the field without specific authorization from this company.

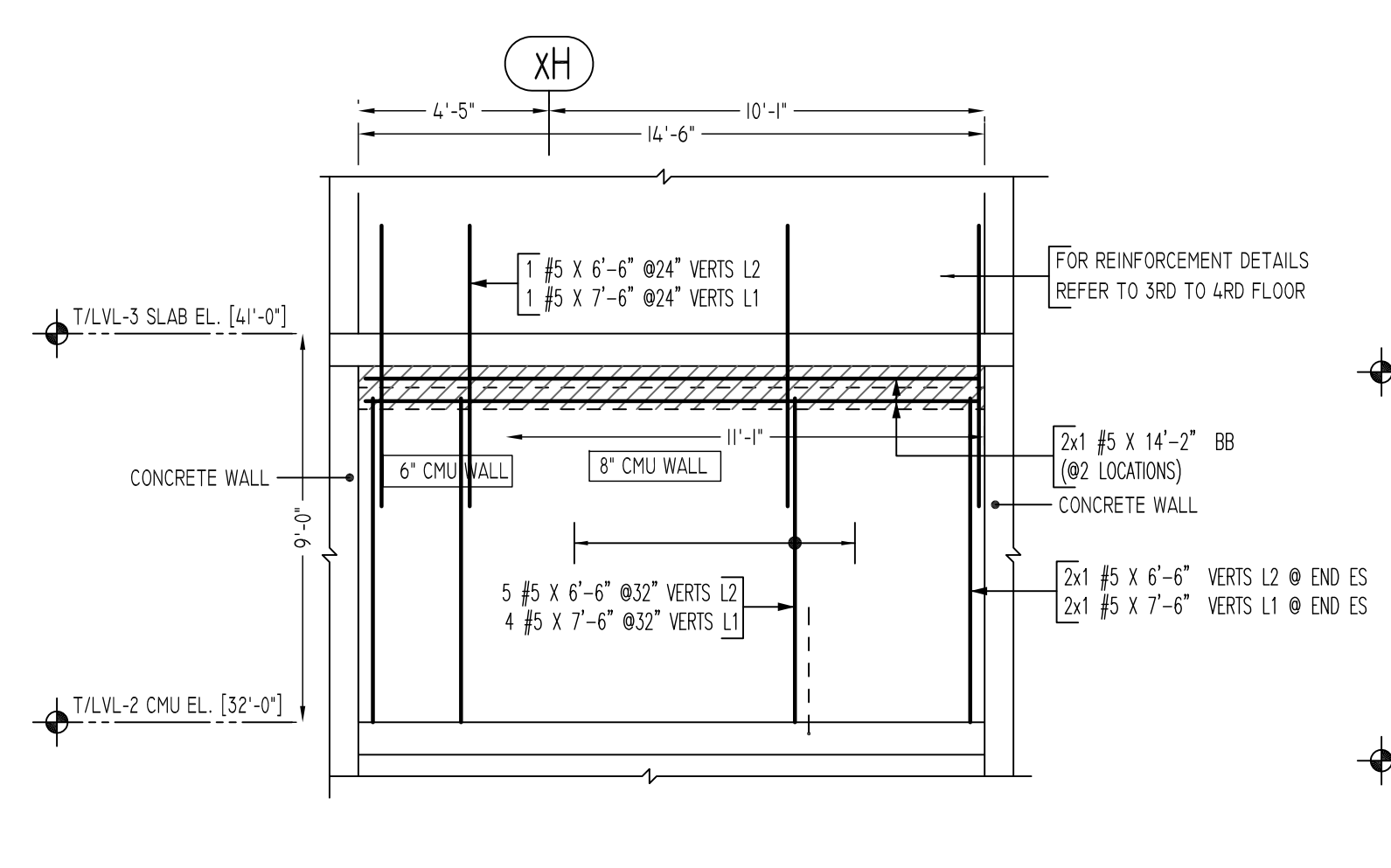
REINFORCING STEEL PLACING DRAWINGS ONLY USE IN CONJUNCTION WITH CONTRACT DRAWINGS & SPECIFICATIONS. ELEVATIONS & DIMENSIONS SHOWN ON THIS DRAWING ARE FOR DETAILING PURPOSES ONLY AND SHOULD NOT BE USED FOR CONSTRUCTION UNLESS VERIFIED BY ENGINEER OR CONTRACTOR.

REVISION MARK	REVISION DETAILS	DATE
0	FOR APPROVAL	05/19/2022

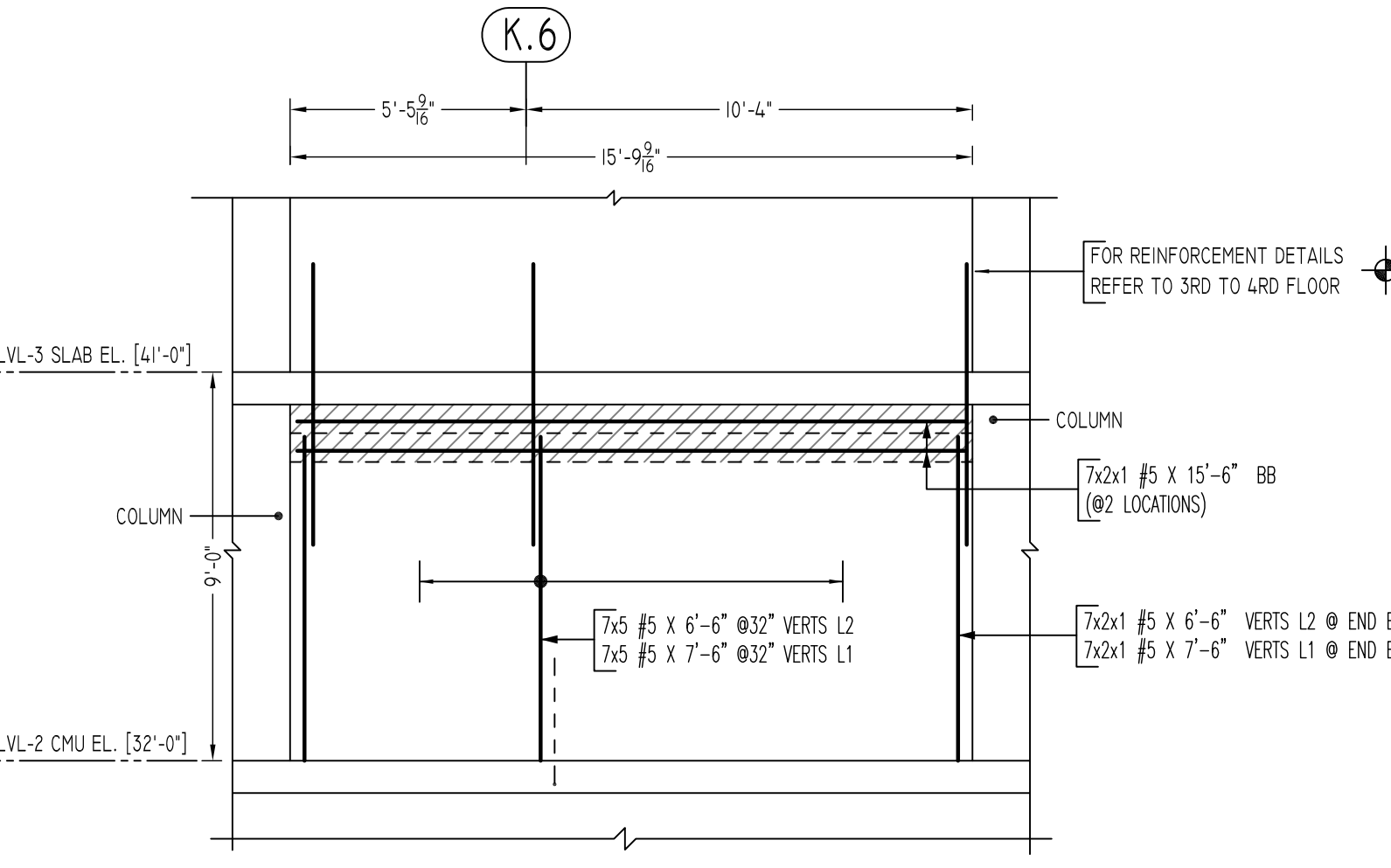
PROJECT	CBUP LEE BARRACKS						
LOCATION	28 FEDERAL PLAZA, NEW YORK, NY 10278						
ARCHITECT	-						
ENGINEER	US ARMY CORPS OF ENGINEERS						
CUSTOMER	ACRANOM MASONRY						
DRAWN BY:	VGS/MRS	DATE:	05/19/22	REVIEWED BY:	T/L	JOB NO.:	22032
DRAWING TITLE:							DRAWING NO.:
SECOND FLOOR TO THIRD FLOOR CMU WALL REINFORCEMENT DETAILS							R17



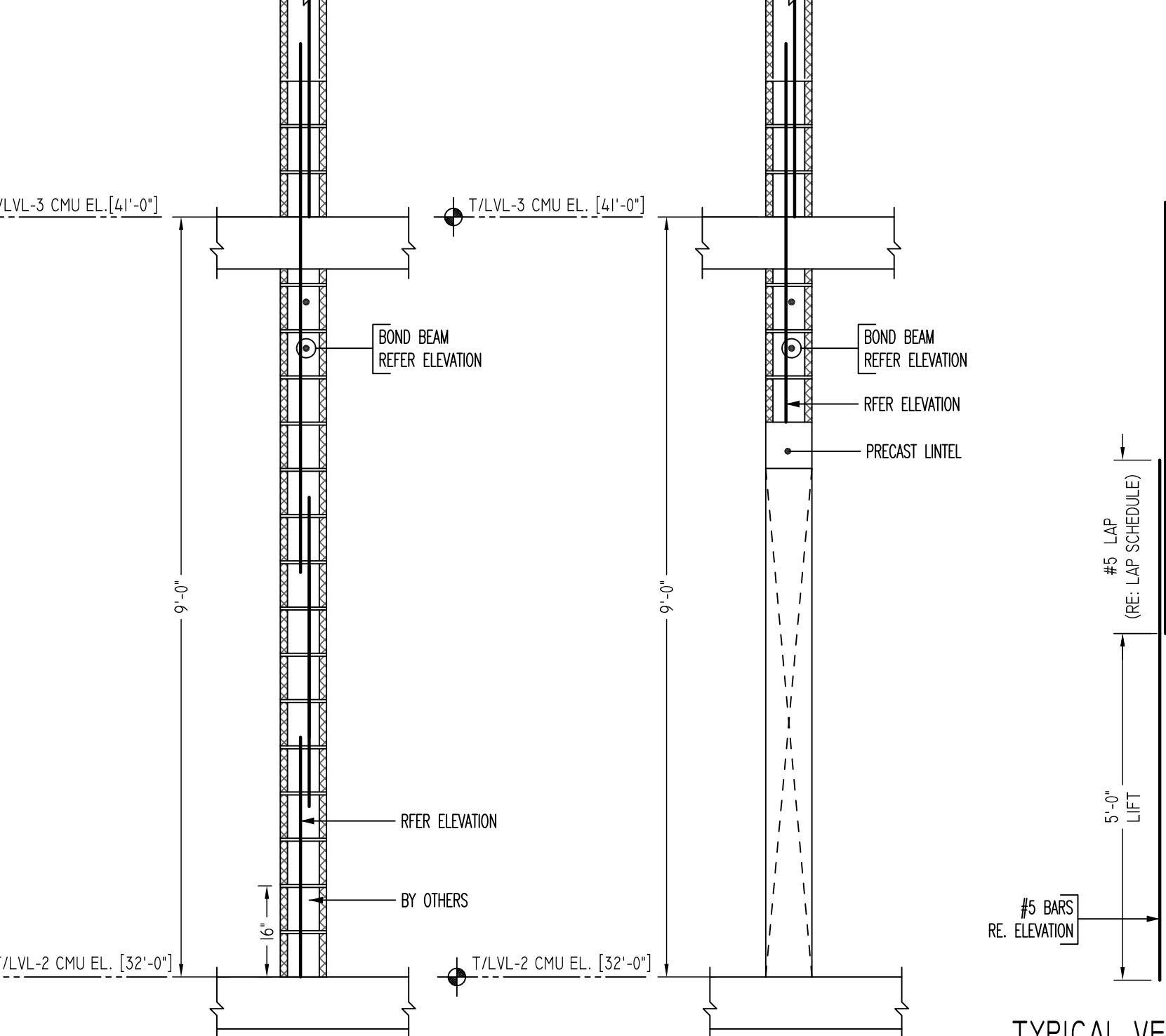
B ELEVATION
SCALE - 1/4"=1'-0"
REF: A-102A
AVE PLEASE VERIFY
WALL PROFILE & BAR ARRANGEMENT TYP.



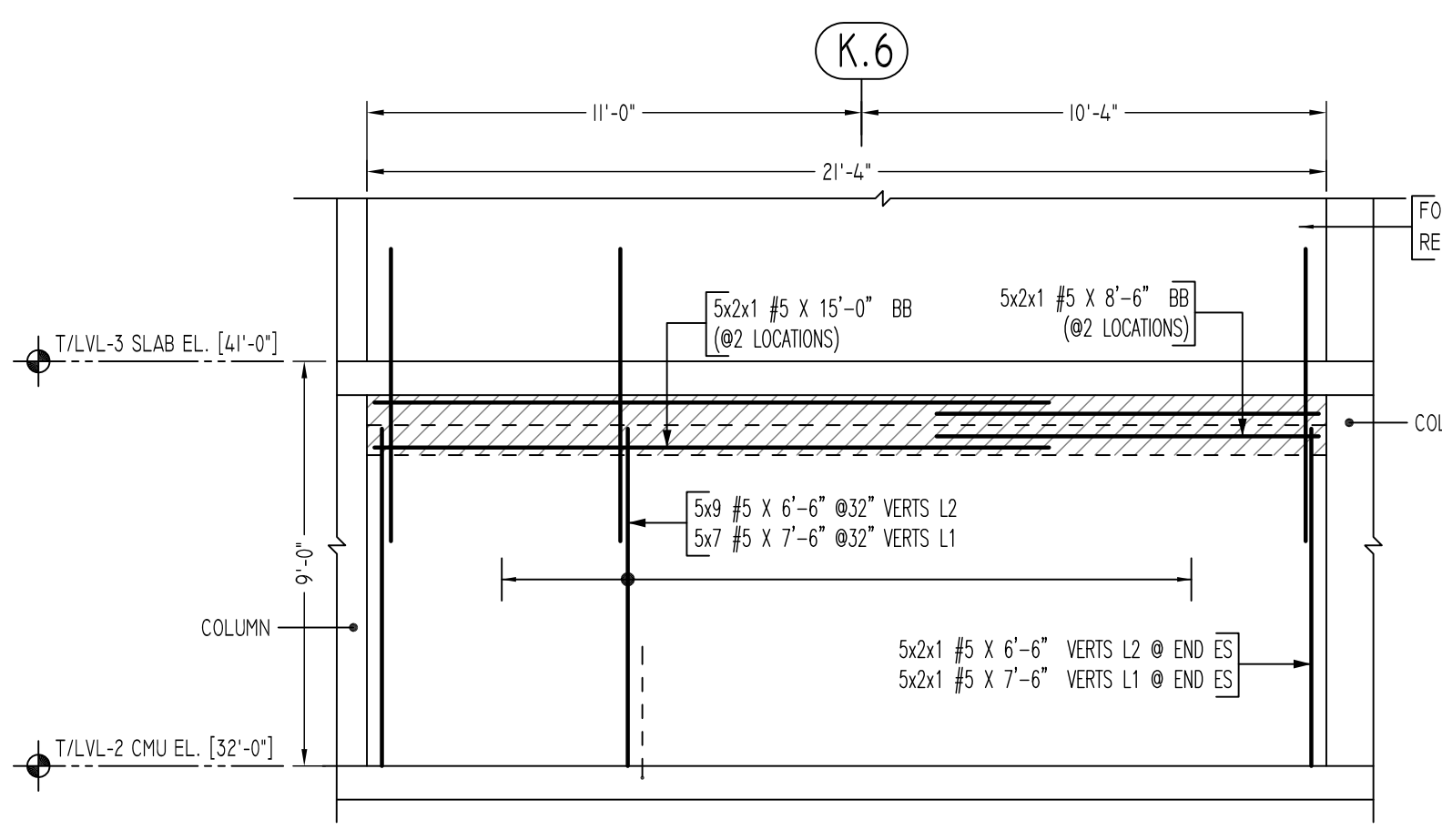
C ELEVATION
SCALE - 1/4"=1'-0"
REF: A-102A



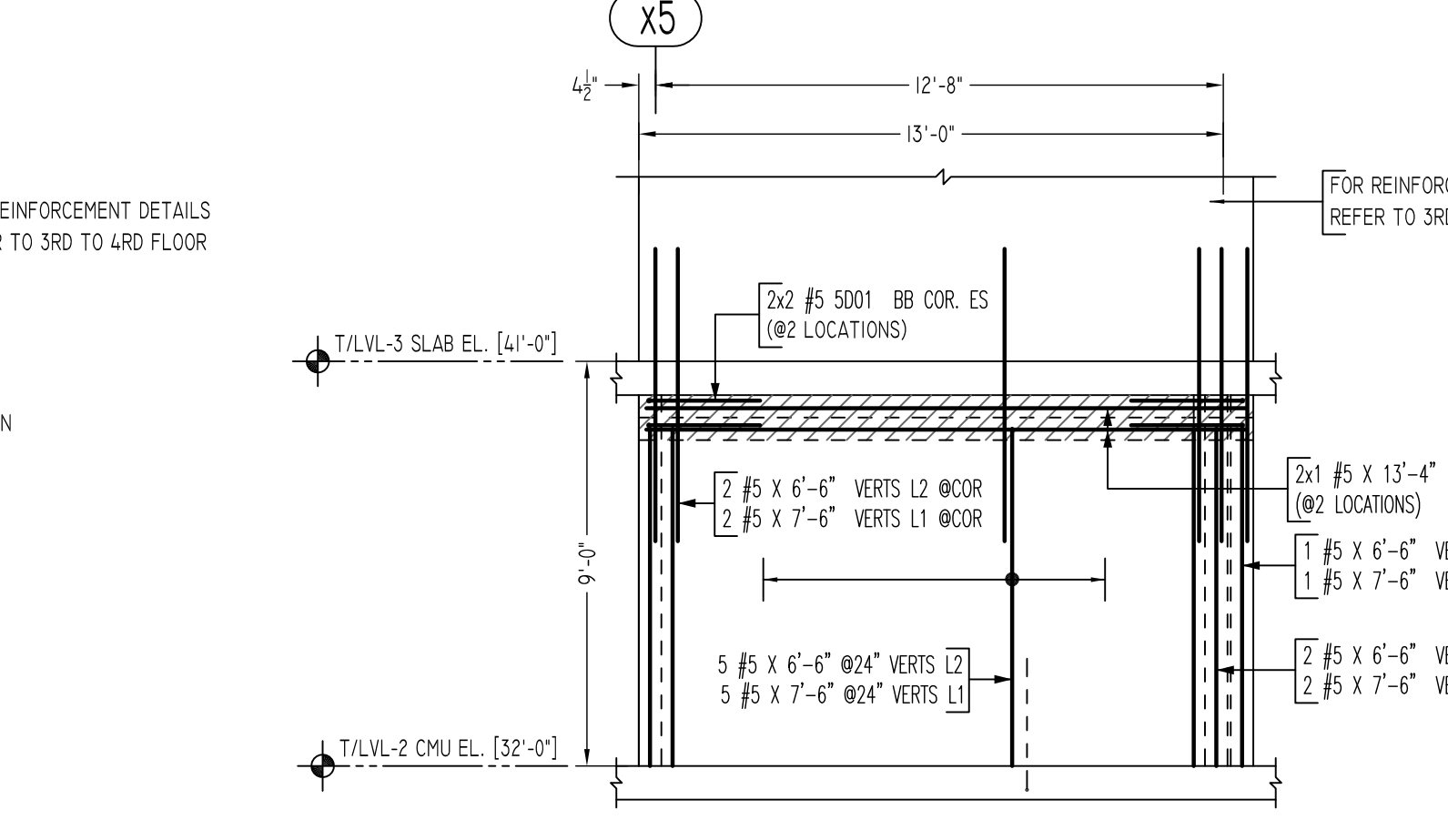
D ELEVATION
SCALE - 1/4"=1'-0"
REF: A-102A
RED D @ 7 LOCATIONS



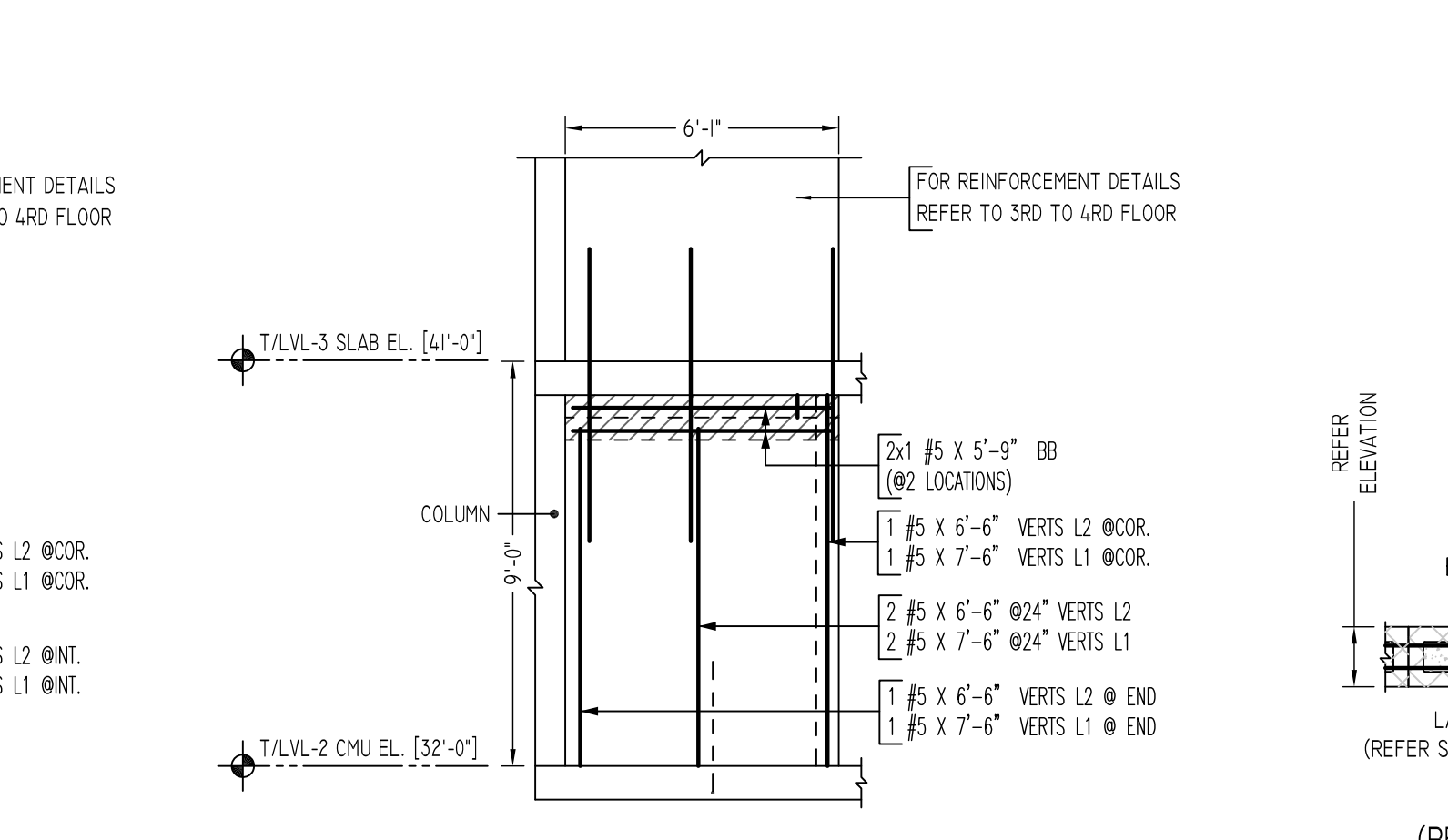
TYPICAL VERTICAL BAR LAPPING DETAIL



E ELEVATION
SCALE - 1/4"=1'-0"
REF: A-102A
RED D @ 85 LOCATIONS

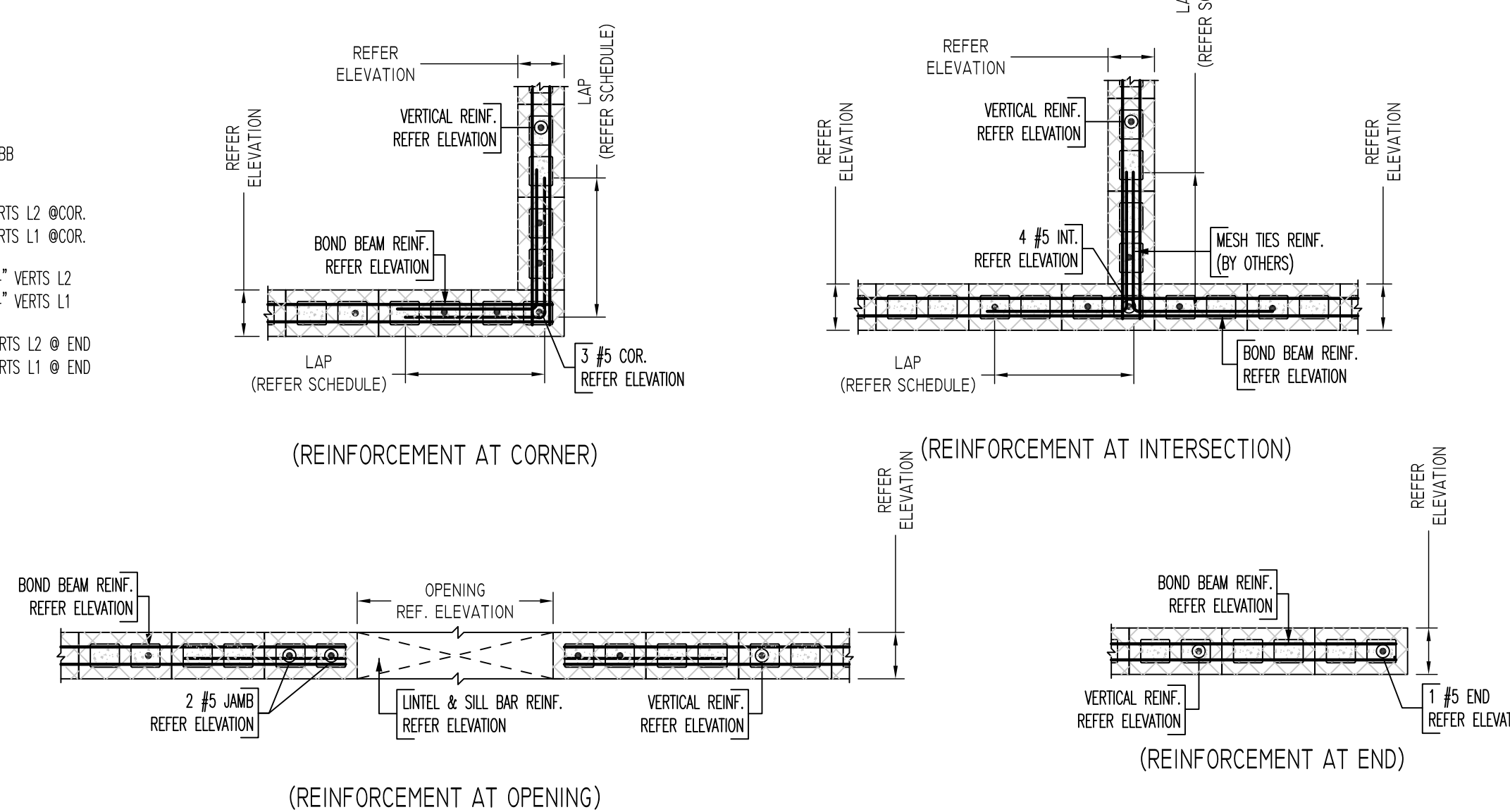


F ELEVATION
SCALE - 1/4"=1'-0"
REF: A-102A

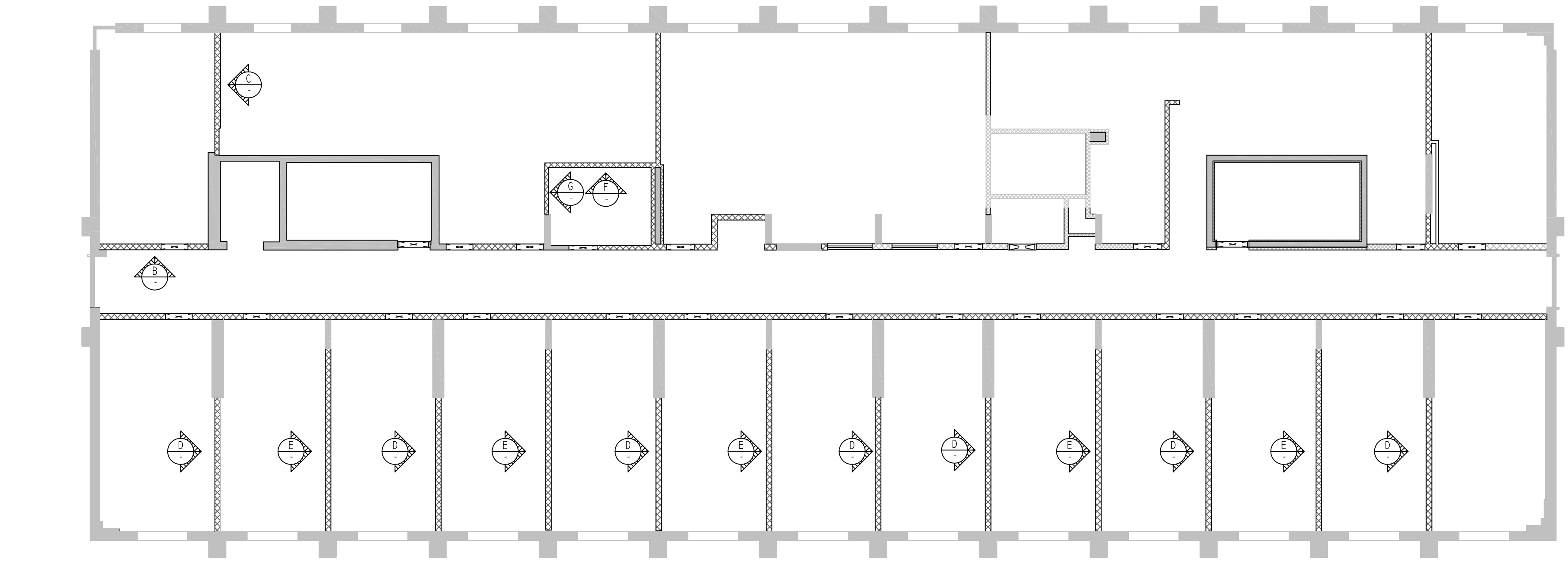


G ELEVATION
SCALE - 1/4"=1'-0"
REF: A-102A

TYPICAL CMU WALL SECTION DETAILS
SCALE: 1/2"=1'-0"
REF: -

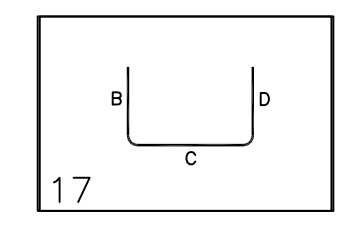


TYPICAL CMU WALL DETAILS
SCALE: 1/2"=1'-0"
REF: -



SECOND FLOOR TO THIRD FLOOR CMU WALL LAYOUT
SCALE - 1/8"=1'-0"
REF: A-102A

Bar Mark	Qty	Size	Total Length	Type	X	Y	Z	BENDING DETAILS
5001	4	#5	5'-0"	17		2'-6"	2'-6"	



LEGEND
NO. OF LOCATION
NO. OF LIFT
NO. OF BARS
2x2x1 #5x6'-6" VERTIS
NO. OF LIFT (OR) NO. OF LOCATION
NO. OF BARS
2x1 #5x6'-6" VERTIS
LIFT 1 TO LIFT 6
2x1 #5x6'-6" VERTIS L1-L6

SIZE	48" LAP
#3	18"
#4	24"
#5	30"
#6	36"
#7	42"
#8	48"
#9	55"
#10	61"
#11	68"

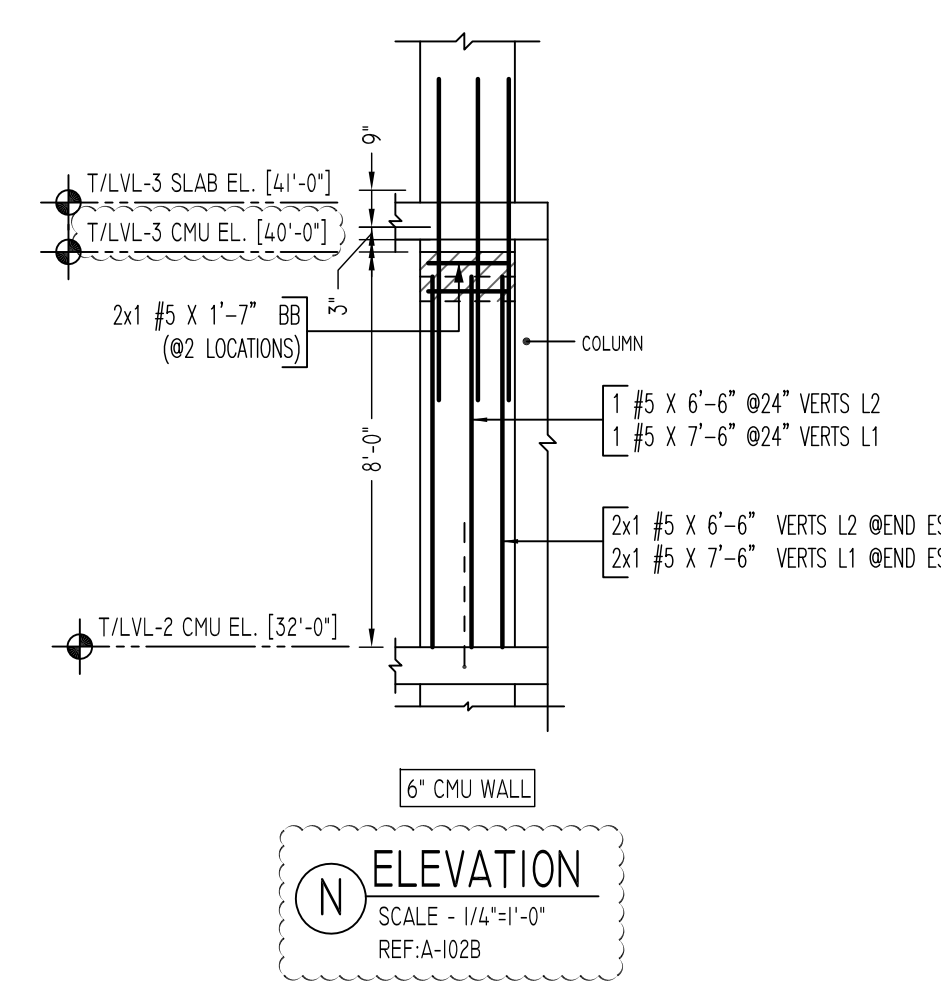
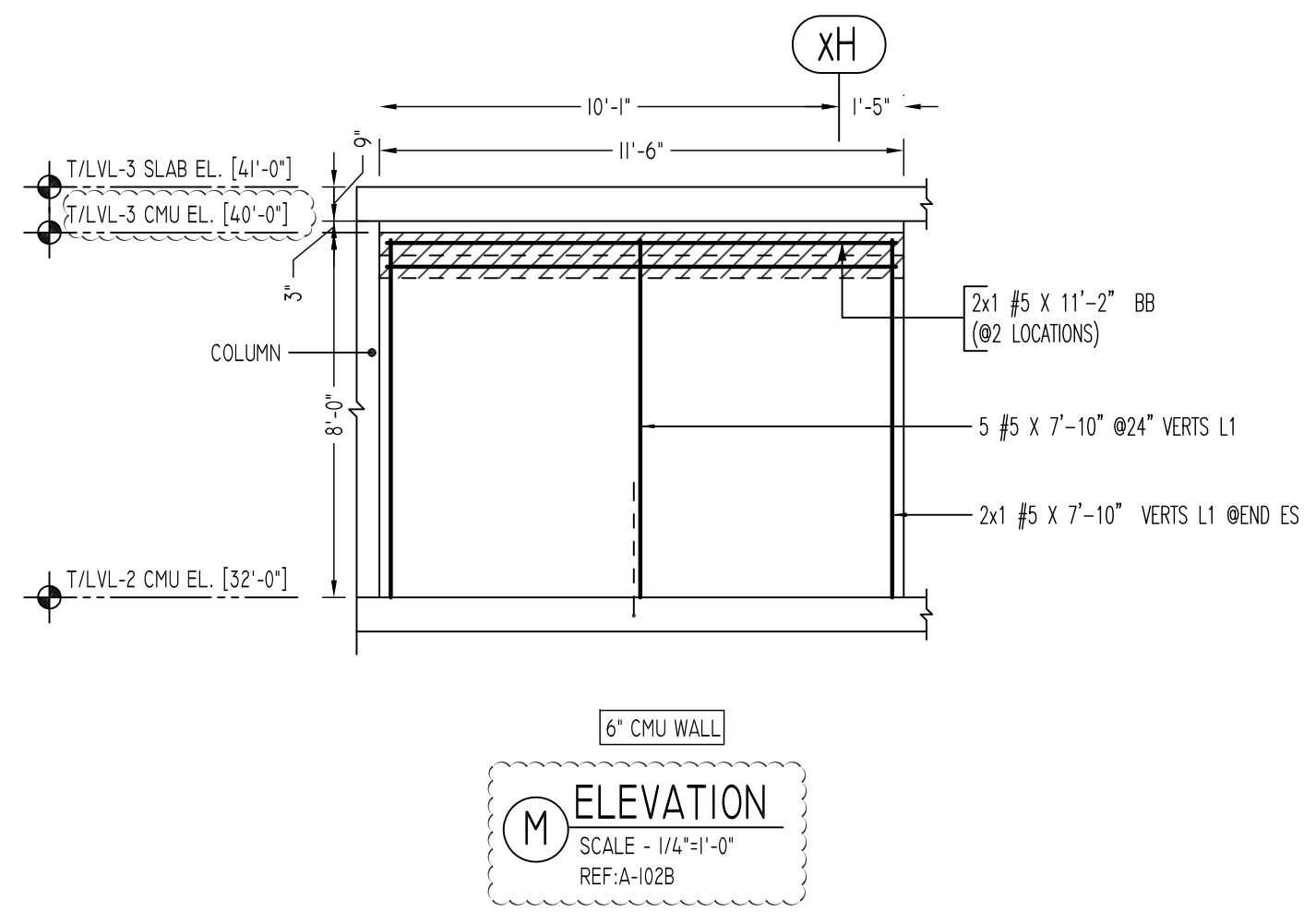
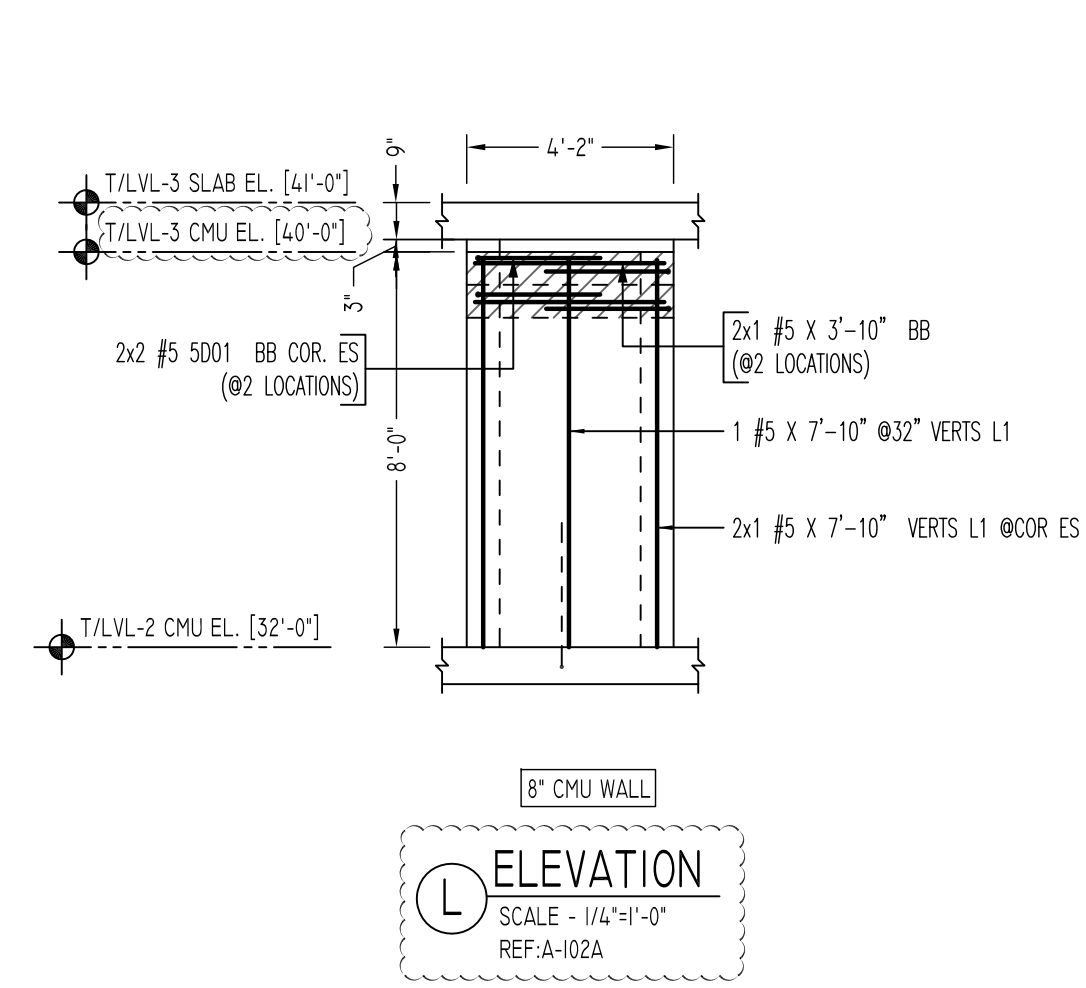
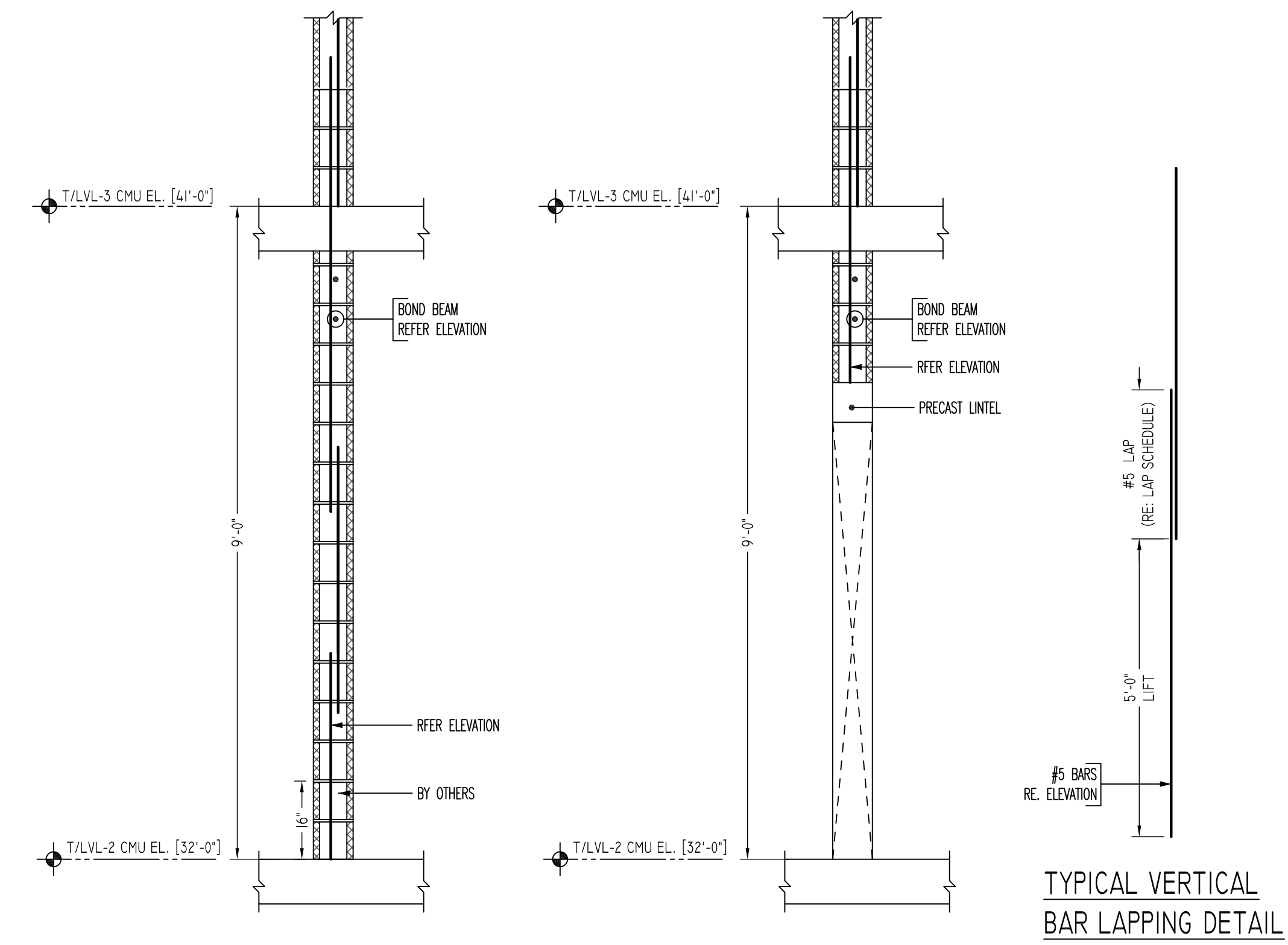
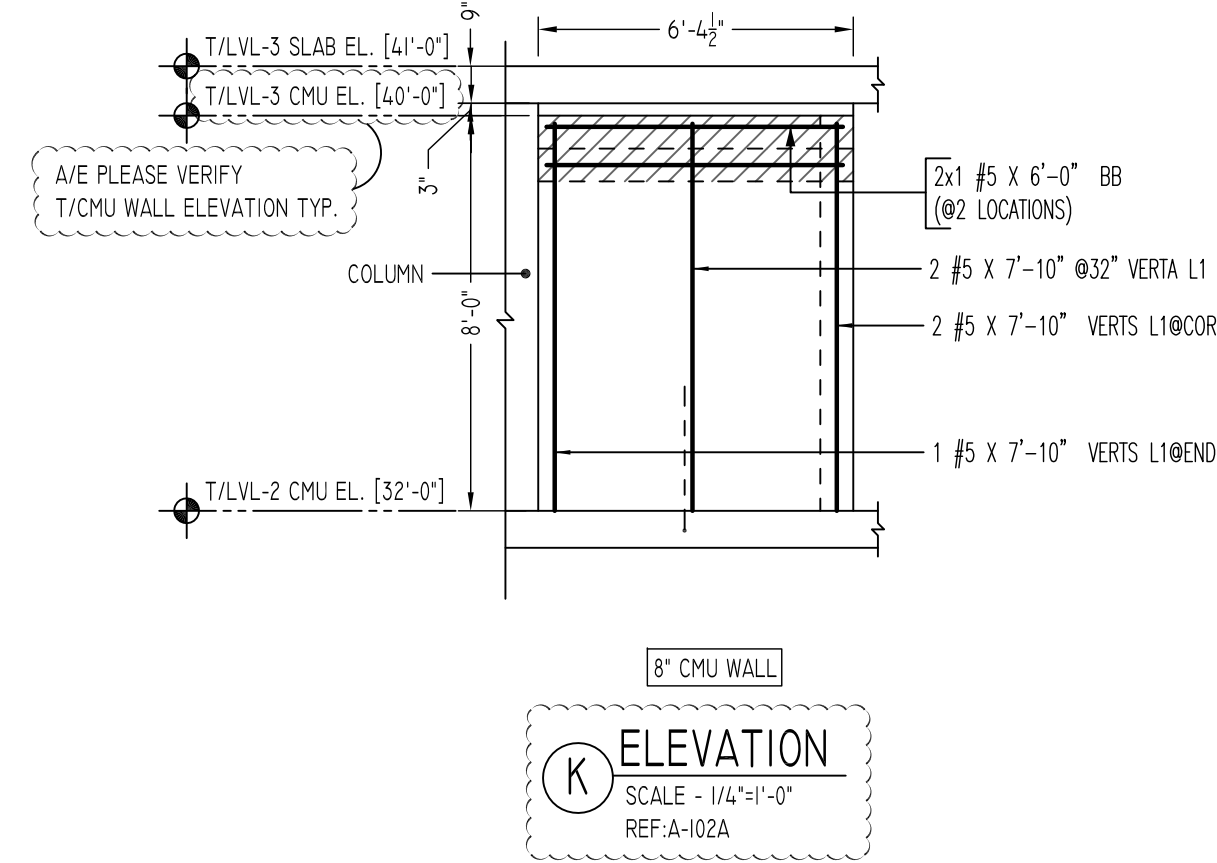
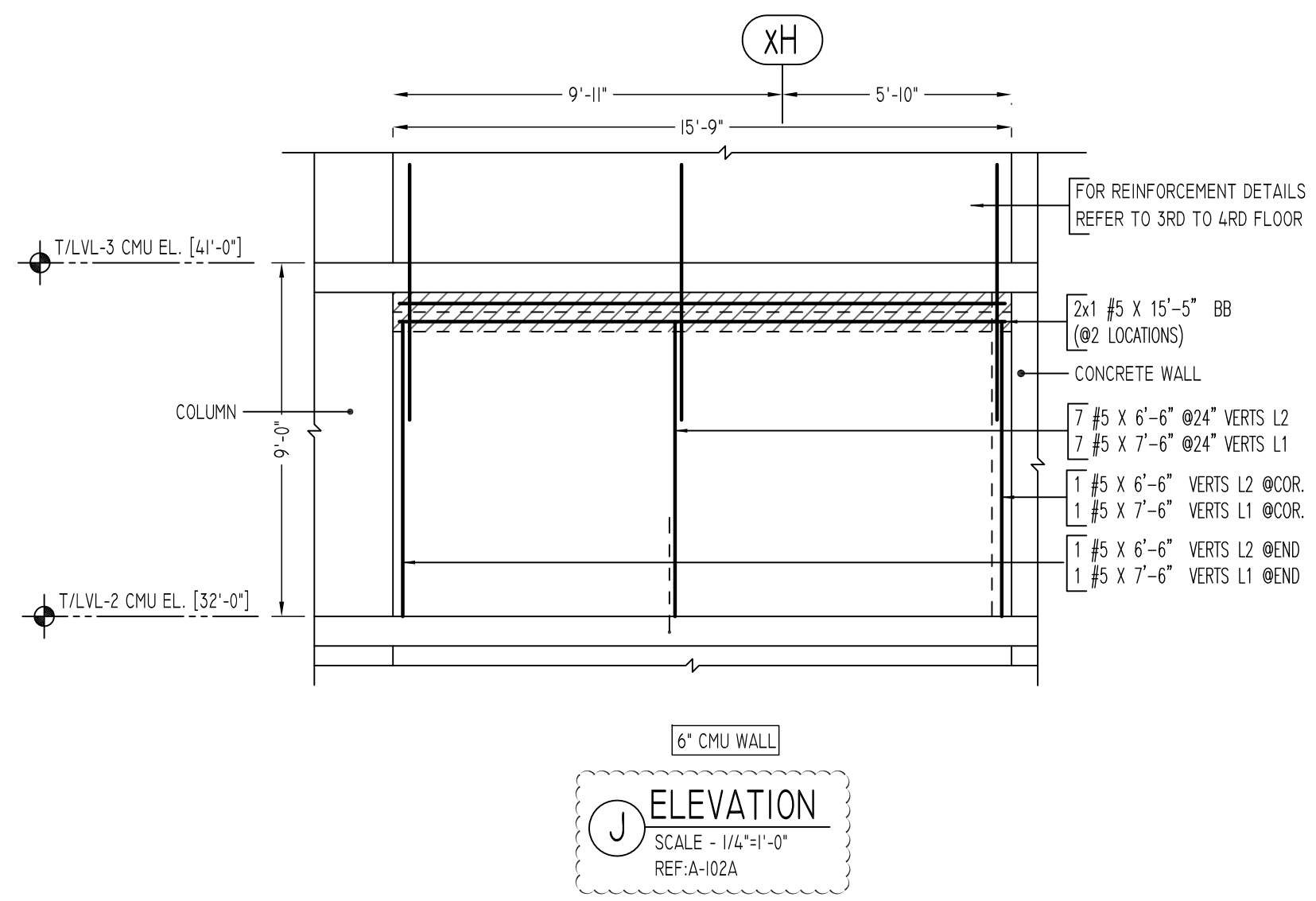
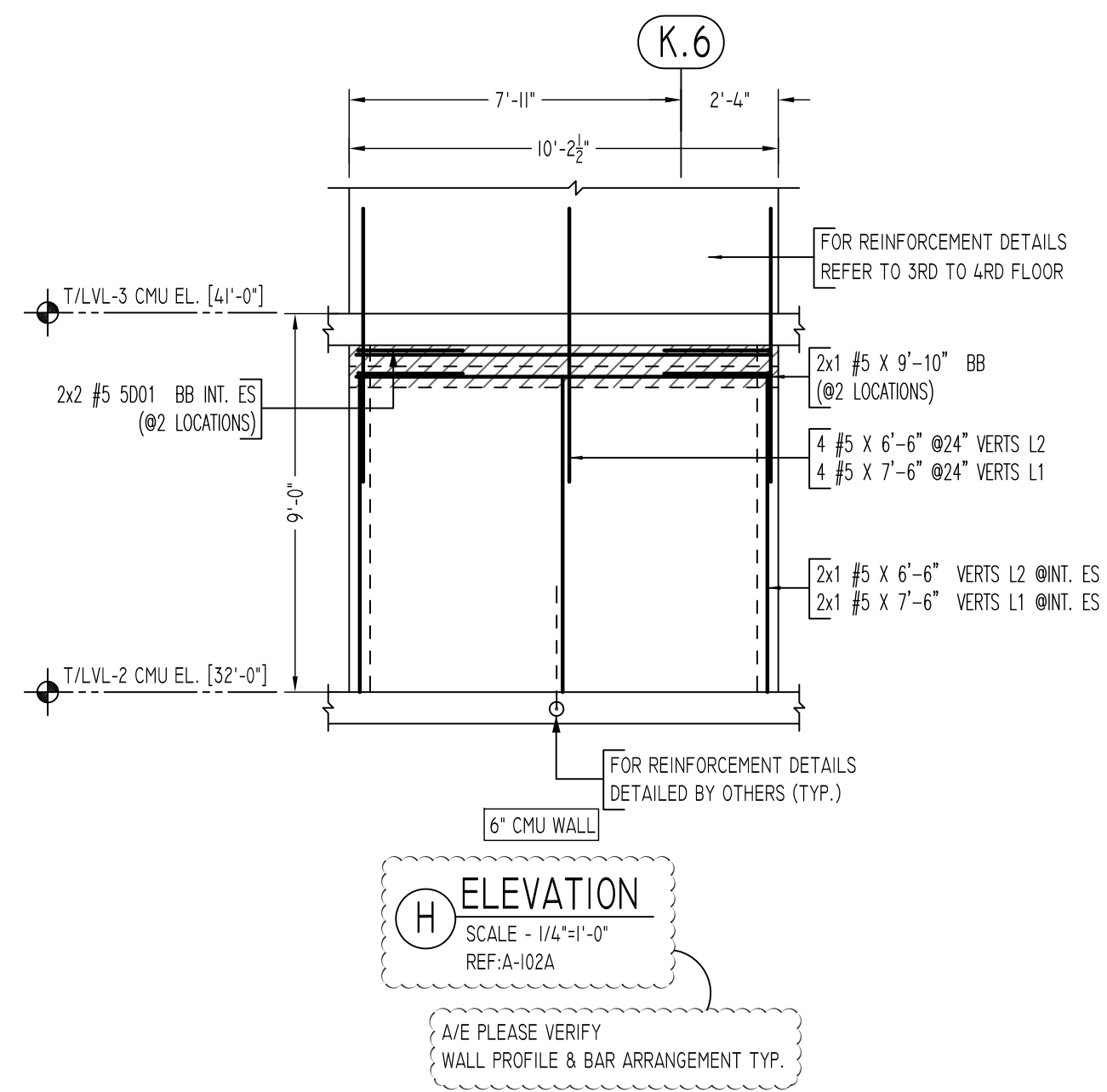
**ALL BARS IN THIS DRAWING
ASTM A615 GRADE 60
BLACK UNCOATED**

Abbreviations:
I.F.=Inside Face
O.F.=Outside Face
E.F.=Each Face
DWL=Dowel
V=Vertical
H=Horizontal
C.B.=Corner Bar
S.DWL=Slab Dowel
E.W.=Each Way
B/BOT=Bottom
T=Top
MDWL=Masonry Dowel
B.B.=Bond Beam
ALT.=Alternate
Approx.=Approximate
OPNG=Opening
BAL=Balance
BTW=Between
CJ=Construction Joint
CLR=CLEARANCE
CMU=Concrete Masonry Unit
CONT.=Continuous
EA.=Each
Elev.=Elevation
EMB=Embedment
SW=Short Way
LW=Long Way
(BL)=Black Bar
(EP)=Epoxy Bar
(GA)=Galvanized

NOTICE
Shortages, improper fabrication or claims for any other reason must be reported to this company within a period of 15 days of delivery. This company reserves the right to field inspect prior to replacement or reconditioning of nonconforming material, and will not honor charges for work done in the field without specific authorization from this company.
REINFORCING STEEL PLACING DRAWINGS ONLY USE IN CONJUNCTION WITH CONTRACT DRAWINGS & SPECIFICATIONS. ELEVATIONS & DIMENSIONS SHOWN ON THIS DRAWING ARE FOR DETAILING PURPOSES ONLY AND SHOULD NOT BE USED FOR CONSTRUCTION UNLESS VERIFIED BY ENGINEER OR CONTRACTOR.

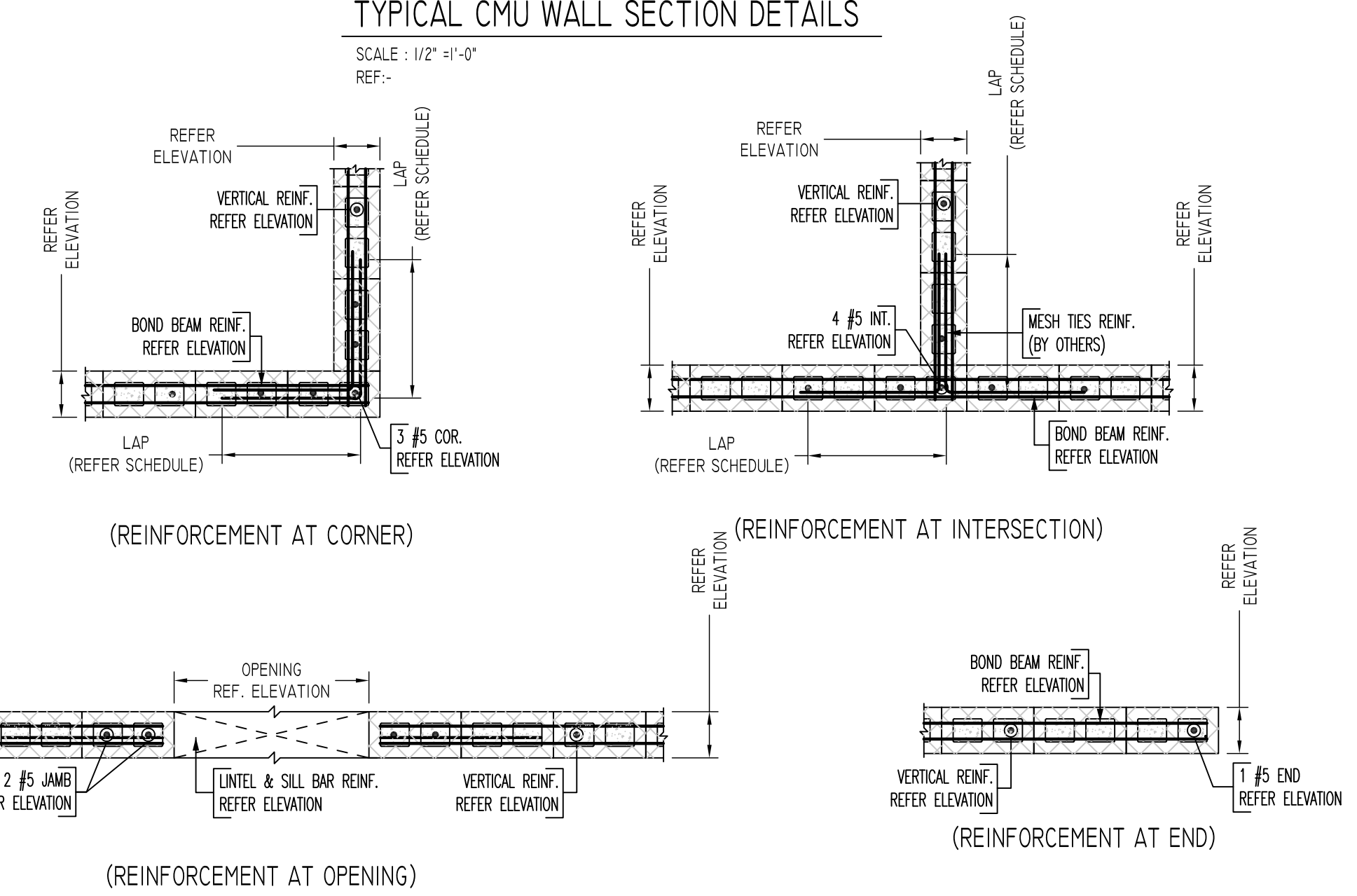
REVISION MARK	REVISION DETAILS	DATE
0	FOR APPROVAL	05/19/2022

PROJECT	CBUP LEE BARRACKS
LOCATION	28 FEDERAL PLAZA, NEW YORK, NY 10278
ARCHITECT	-
ENGINEER	US ARMY CORPS OF ENGINEERS
CUSTOMER	ACRANOM MASONRY
DRAWN BY:	VGS/MRS
DATE:	05/19/22
REVIEWED BY:	T/L
JOB NO.	22032
DRAWING NO.:	R18



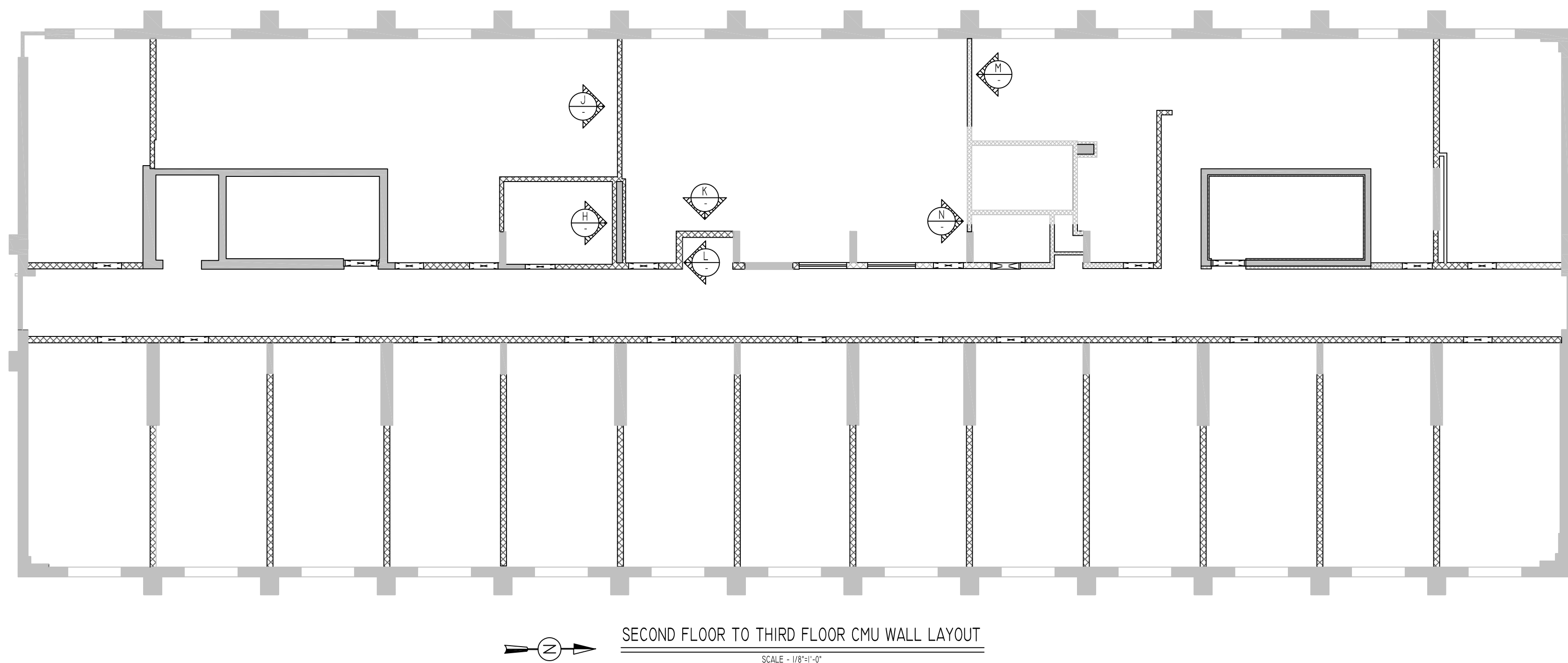
TYPICAL CMU WALL SECTION DETAILS

SCALE: 1/2"=1'-0"
REF: -

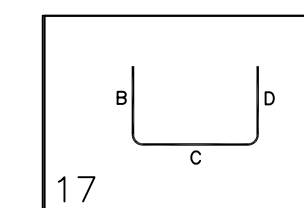


TYPICAL CMU WALL DETAILS

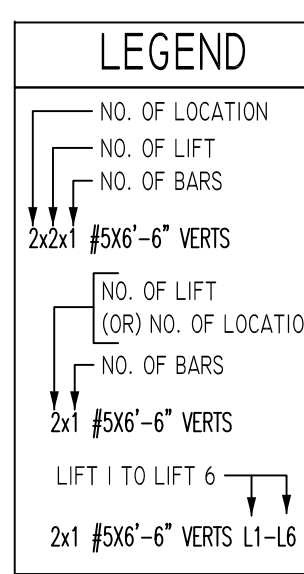
SCALE: 1/2"=1'-0"
REF: -



Bar Mark	Qty	Size	Total Length	Type	X'	Y'	Z'	BENDING DETAILS
3001	8	#5	5'-0"	17	2'-6"	2'-6"		



**ALL BARS IN THIS DRAWING
ASTM A615 GRADE 60
BLACK UNCOATED**



SIZE	48 Ø LAP
#3	18"
#4	24"
#5	30"
#6	36"
#7	42"
#8	48"
#9	55"
#10	61"
#11	68"

Abbreviations:	OPNG=Opening
I.F.=Inside Face	BAL=Balance
O.F.=Outside Face	BTW=Between
E.F.=Each Face	CJ=Construction Joint
DWL=Dowel	CLR=CLEARANCE
V=Vertical	CMU=Concrete Masonry Unit
H=Horizontal	CONT=Continuous
C.B.=Corner Bar	EA=Each
S.DWL=Slab Dowel	Elev=Elevation
E.W.=Each Way	EMB=Embedment
B/BOT=Bottom	SW=Short Way
T=Top	LW=Long Way
MDWL=Masonry Dowel	(BL)=Black Bar
B.B.=Bond Beam	(EP)=Epoxy Bar
ALT=Alternate	(GA)=Galvanized
Approx=Approximate	

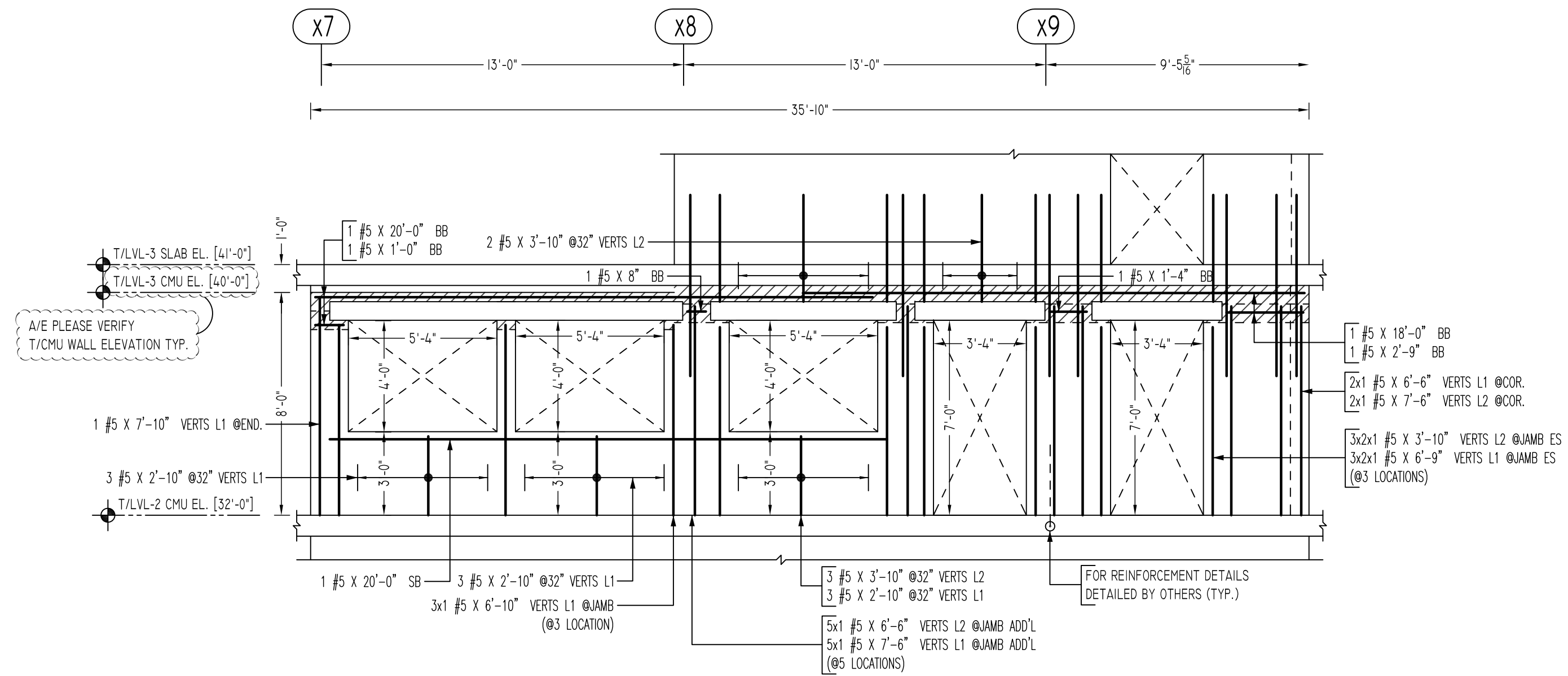
NOTICE

Shortages, improper fabrication or claims for any other reason must be reported to this company within a period of 15 days of delivery. This company reserves the right to field inspect prior to replacement or reconditioning of nonconforming material, and will not honor charges for work done in the field without specific authorization from this company.

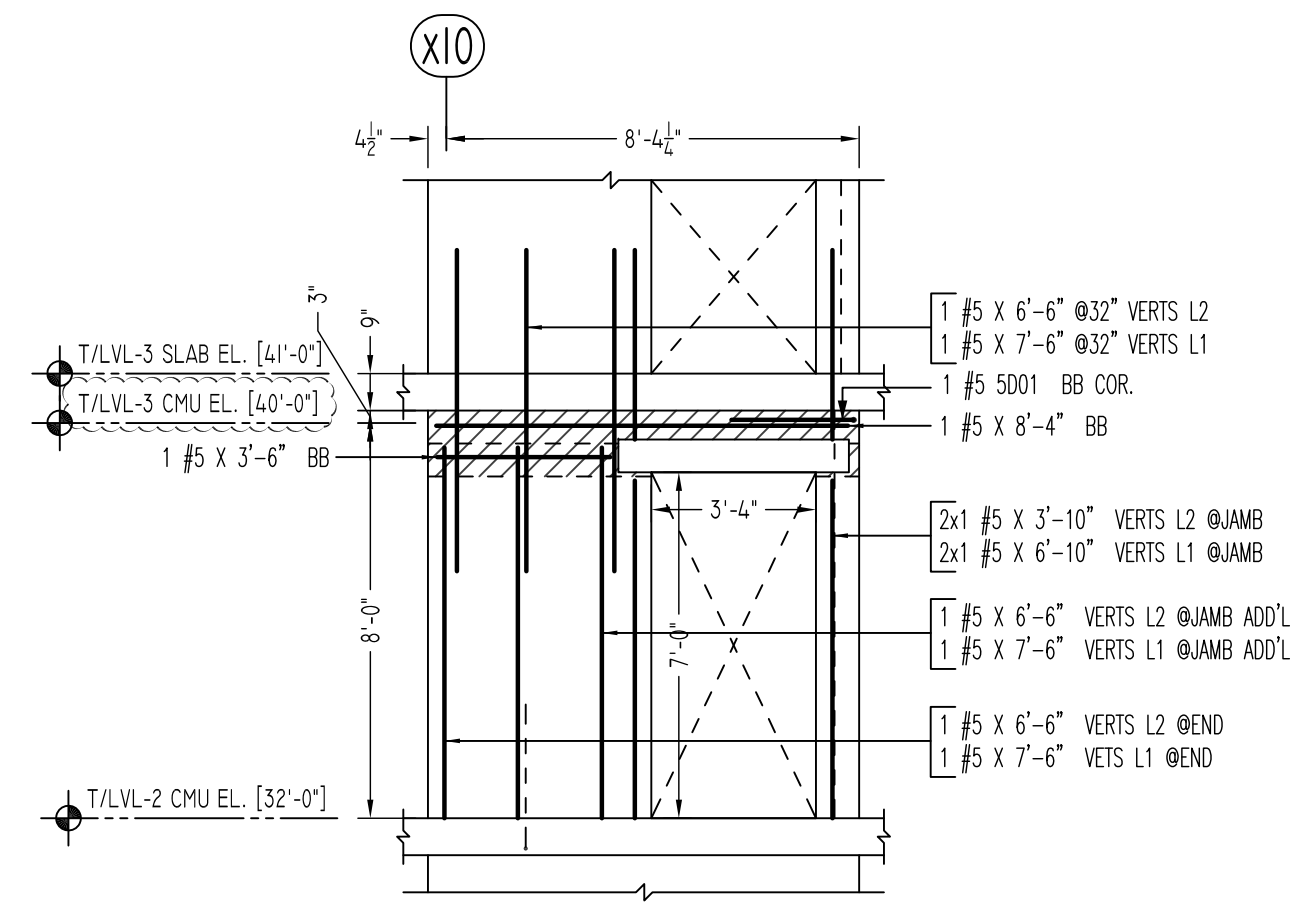
REINFORCING STEEL PLACING DRAWINGS ONLY USE IN CONJUNCTION WITH CONTRACT DRAWINGS & SPECIFICATIONS. ELEVATIONS & DIMENSIONS SHOWN ON THIS DRAWING ARE FOR DETAILING PURPOSES ONLY AND SHOULD NOT BE USED FOR CONSTRUCTION UNLESS VERIFIED BY ENGINEER OR CONTRACTOR.

REVISION MARK	REVISION DETAILS	DATE
0	FOR APPROVAL	05/19/2022

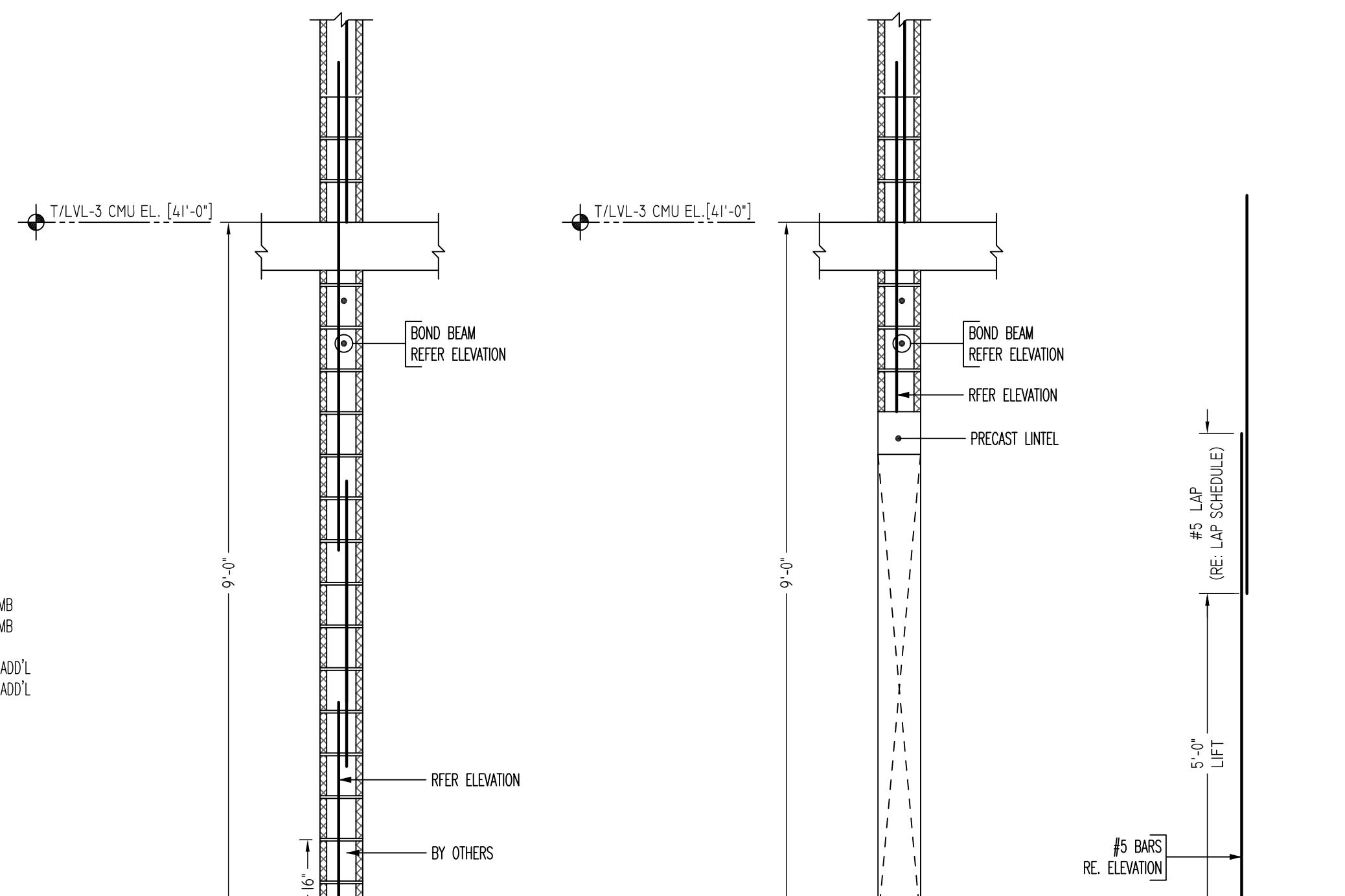
PROJECT	CBUP LEE BARRACKS						
LOCATION	28 FEDERAL PLAZA, NEW YORK, NY 10278						
ARCHITECT	-						
ENGINEER	US ARMY CORPS OF ENGINEERS						
CUSTOMER	ACRANOM MASONRY						
DRAWN BY:	VGS/MRS	DATE:	05/19/22	REVIEWED BY:	T/L	JOB NO.:	22032
DRAWING TITLE:						DRAWING NO.:	
SECOND FLOOR TO THIRD FLOOR CMU WALL REINFORCEMENT DETAILS						R19	



V ELEVATION
SCALE: 1/4"=1'-0"
REF: A-102B



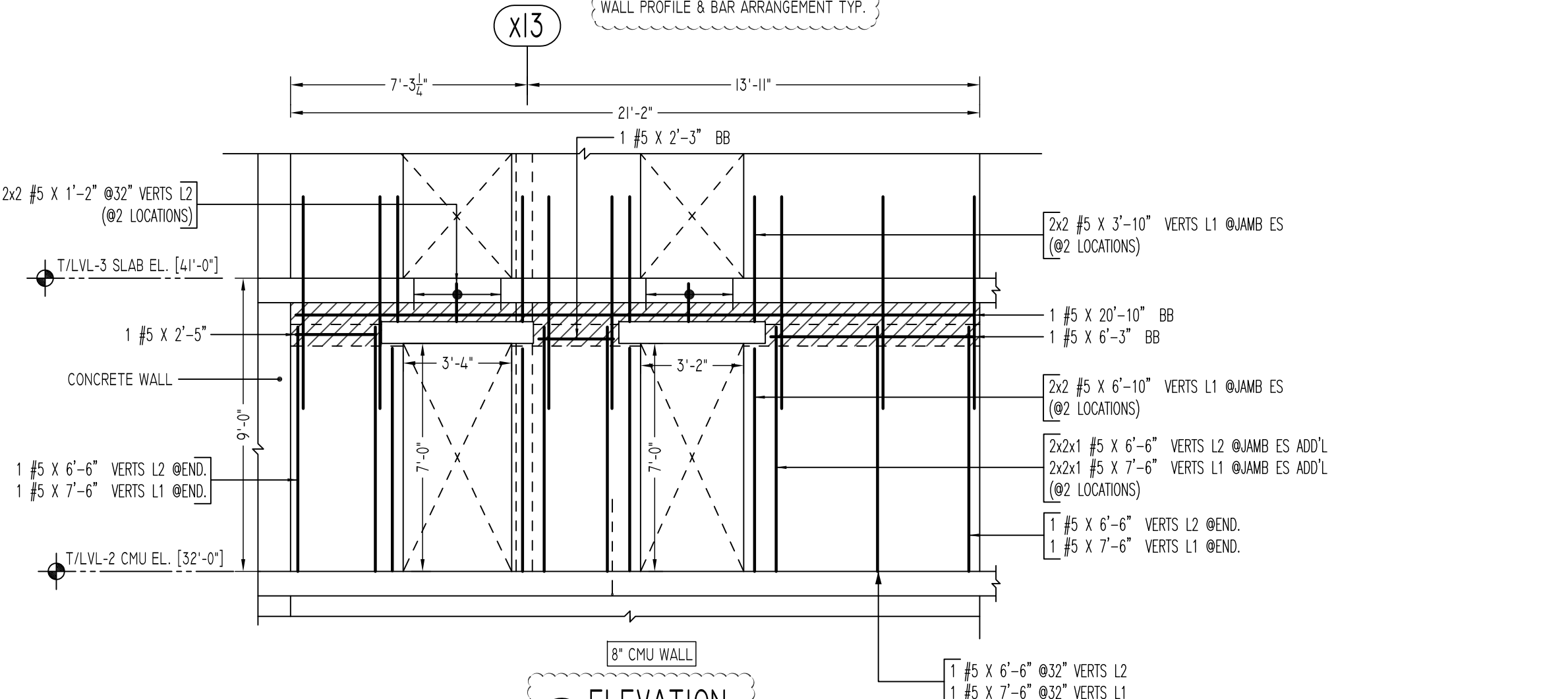
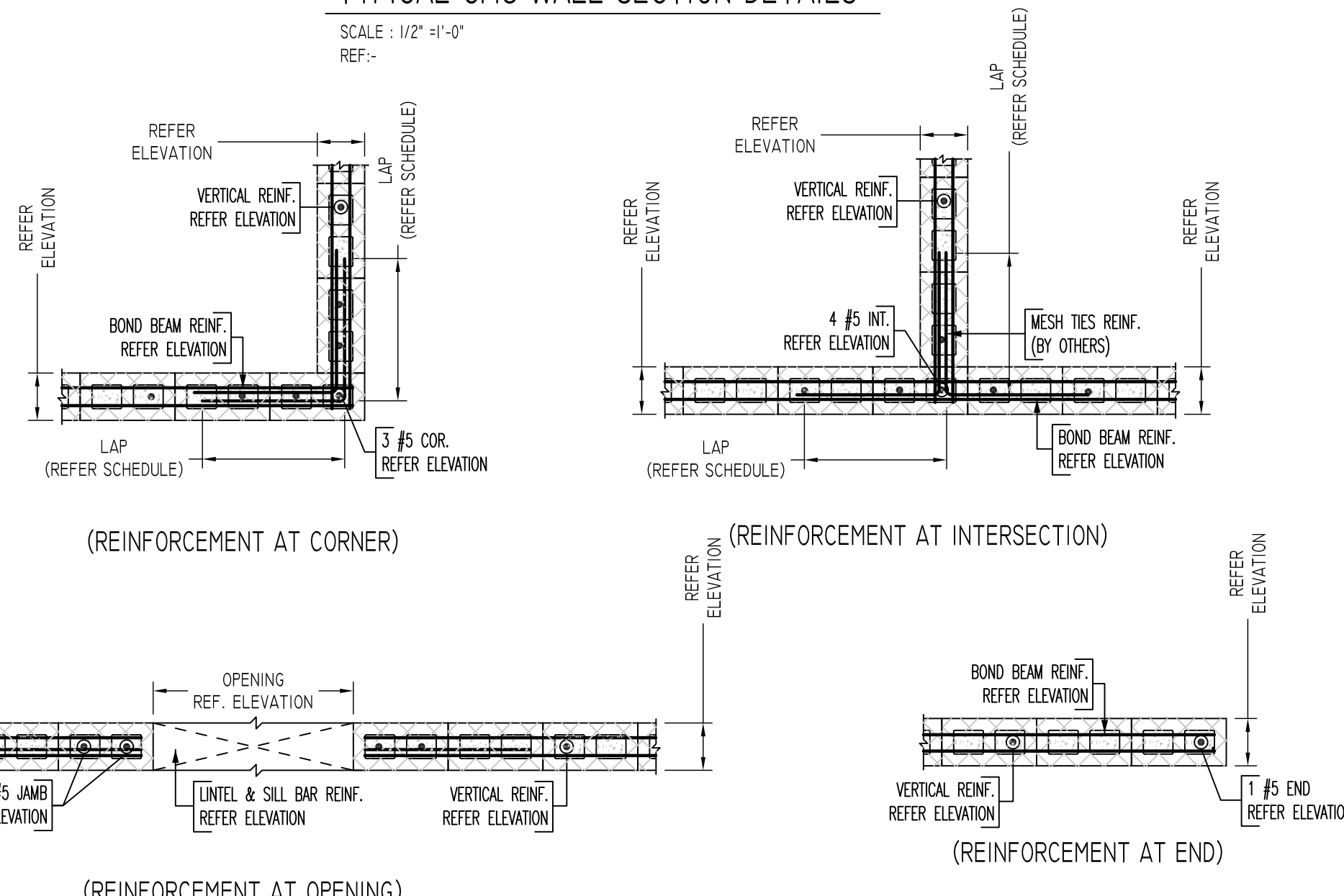
W ELEVATION
SCALE: 1/4"=1'-0"
REF: A-102B



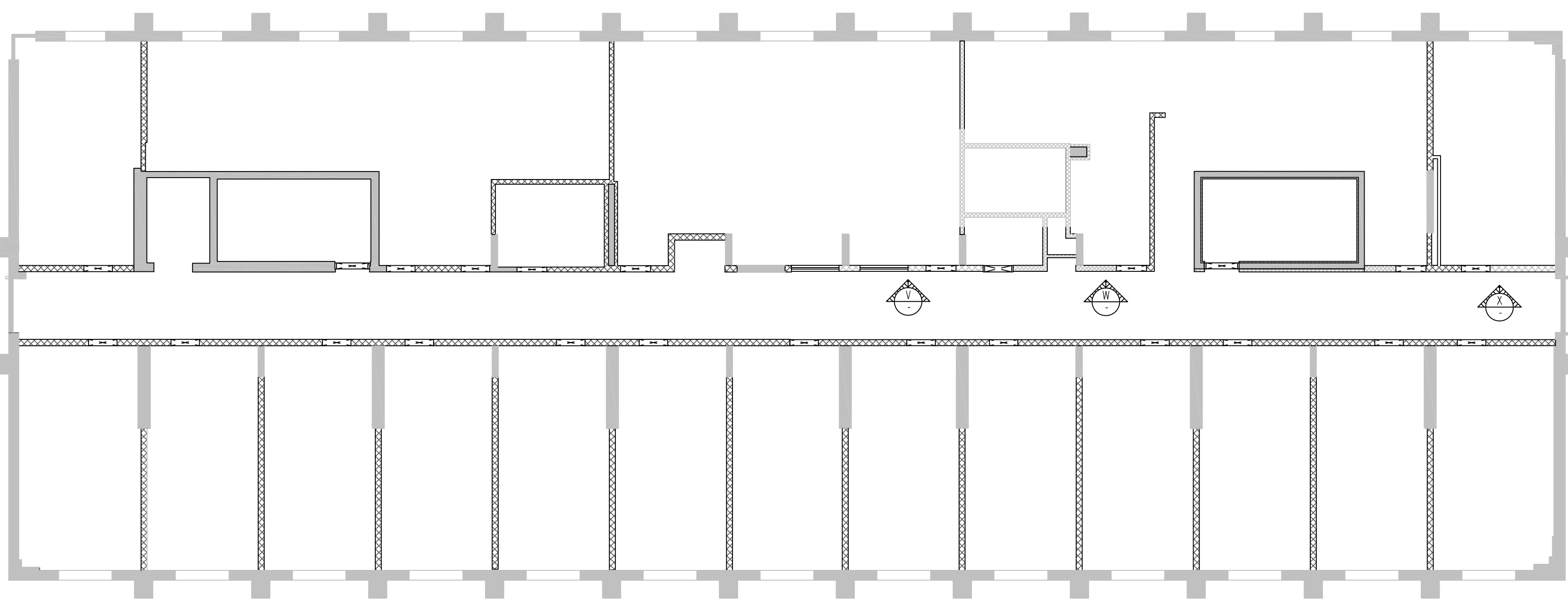
TYPICAL VERTICAL BAR LAPPING DETAIL

TYPICAL CMU WALL SECTION DETAILS

SCALE: 1/2"=1'-0"
REF: -

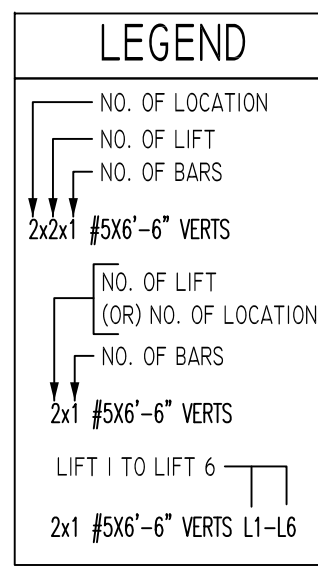
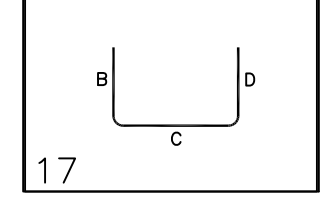


X ELEVATION
SCALE: 1/4"=1'-0"
REF: A-102B



SECOND FLOOR TO THIRD FLOOR CMU WALL LAYOUT

Release Number: R21		BENDING DETAILS														
Bar Mark	Qty	Size	Total Length	Type	X	Y	Z	W	V	U	T	S	R	Q	P	
5001	1	#5	5'-0"	17												



LAP SCHEDULE	
SIZE	48 Ø LAP
#3	18"
#4	24"
#5	30"
#6	36"
#7	42"
#8	48"
#9	55"

**ALL BARS IN THIS DRAWING
ASTM A615 GRADE 60
BLACK UNCOATED**

Abbreviations:
I.F.=Inside Face
O.F.=Outside Face
E.F.=Each Face
D.W.L.=Dowel
V=Vertical
H=Horizontal
C.B.=Corner Bar
S.D.W.L.=Slab Dowel
E.W.=Each Way
B/BOT.=Bottom
T=Top
M.D.W.L.=Masonry Dowel
B.B.=Bond Beam
ALT.=Alternate
Approx.=Approximate

OPNG=Opening
BAL.=Balance
BTW.=Between
CJ=Construction Joint
CLR.=CLEARANCE
CMU=Concrete Masonry Unit
CONT.=Continuous
EA.=Each
Elev.=Elevation
EMB.=Embedment
SW = Short Way
LW=Long Way
(BL)=Black Bar
(EP)=Epoxy Bar
(GA)=Galvanized

NOTICE

Shortages, improper fabrication or claims for any other reason must be reported to this company within a period of 15 days of delivery. This company reserves the right to field inspect prior to replacement or reconditioning of nonconforming material, and will not honor charges for work done in the field without specific authorization from this company.

REINFORCING STEEL PLACING DRAWINGS ONLY USE IN CONJUNCTION WITH CONTRACT DRAWINGS & SPECIFICATIONS. ELEVATIONS & DIMENSIONS SHOWN ON THIS DRAWING ARE FOR DETAILING PURPOSES ONLY AND SHOULD NOT BE USED FOR CONSTRUCTION UNLESS VERIFIED BY ENGINEER OR CONTRACTOR.

REVISION MARK	REVISION DETAILS	DATE
0	FOR APPROVAL	05/19/2022

PROJECT	CBUP LEE BARRACKS		
LOCATION	28 FEDERAL PLAZA, NEW YORK, NY 10278		
ARCHITECT	-		
ENGINEER	US ARMY CORPS OF ENGINEERS		
CUSTOMER	ACRANOM MASONRY		
DRAWN BY:	VGS/MRS	DATE:	05/19/22
REVIEWED BY:	T/L	DATE:	05/19/22
JOB NO.	22032		
DRAWING NO.:	R21		