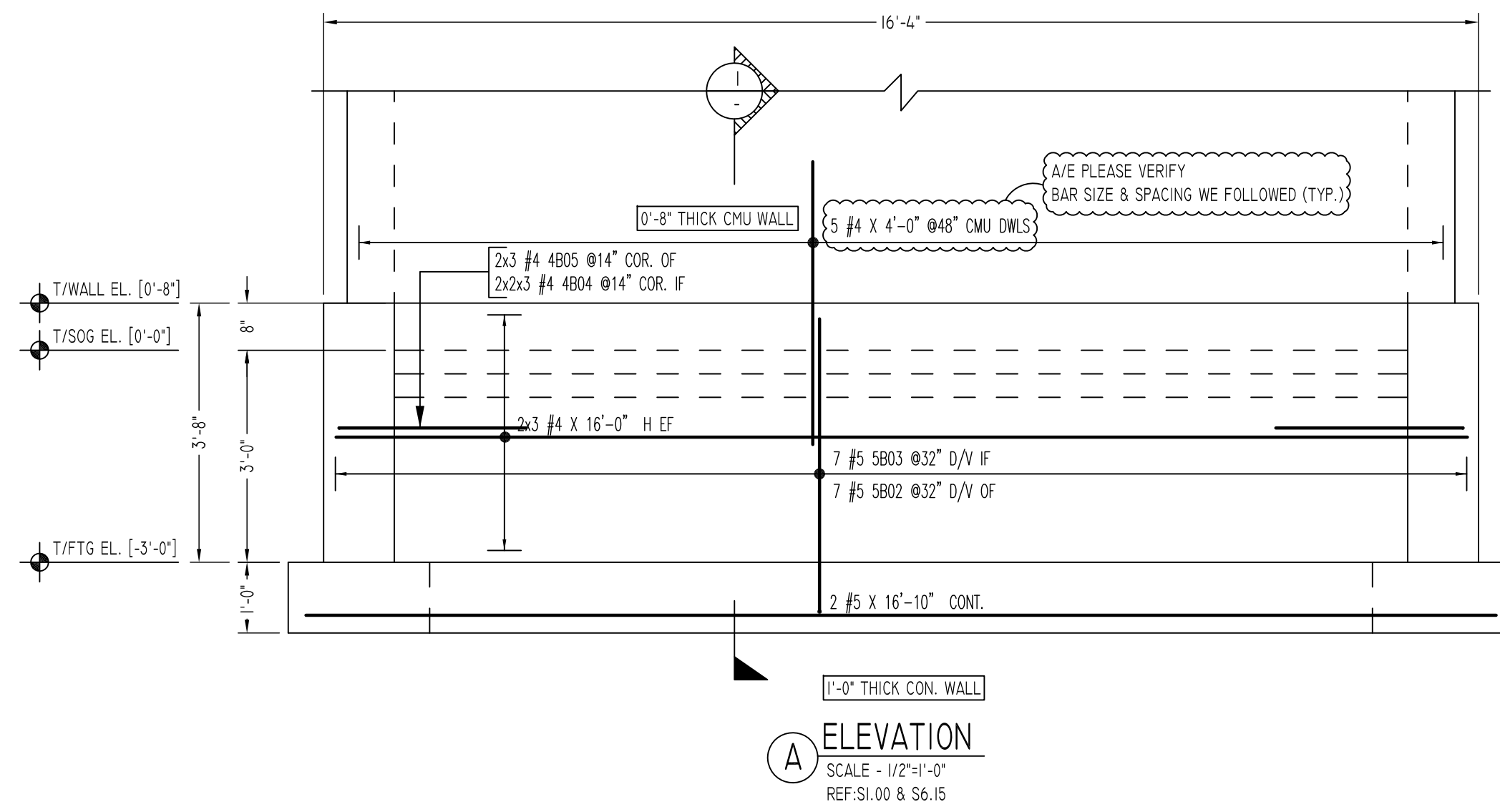
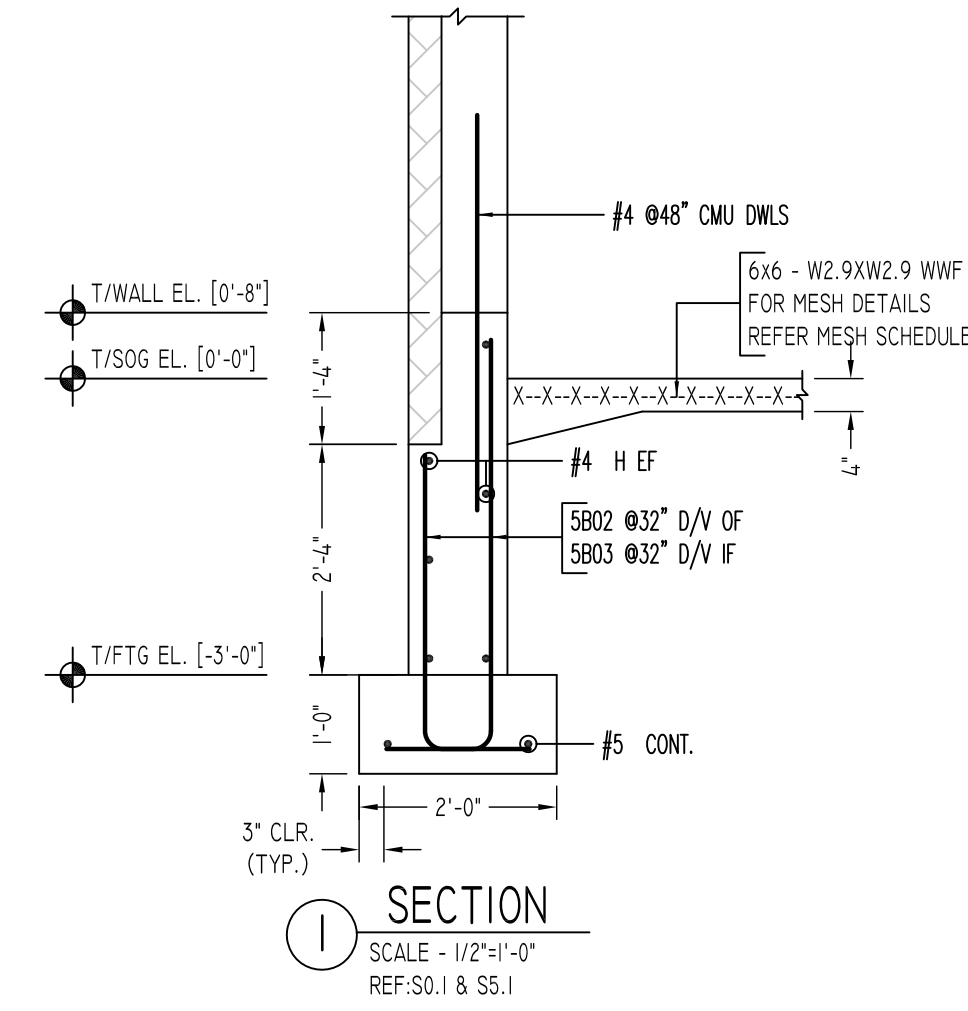


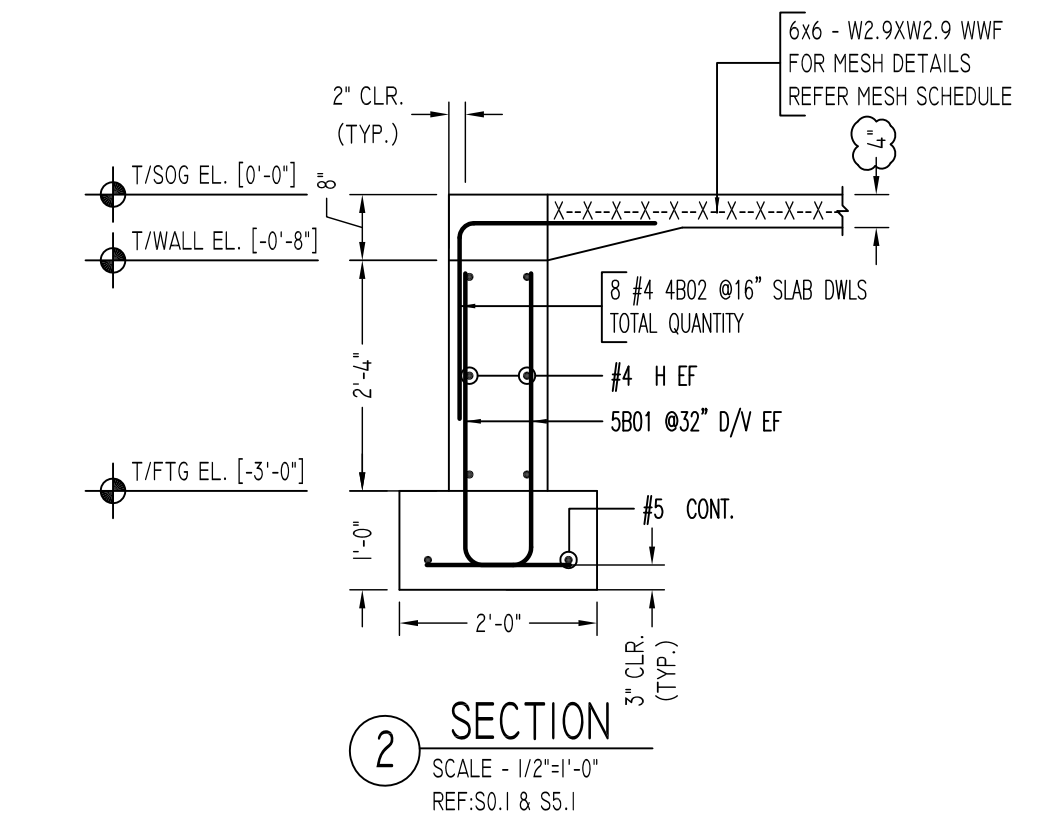
STORAGE BUILDING FOUNDATION AND SOG REINFORCEMENT DETAILS
SCALE - 1/4"=1'-0"
REF.S6.15



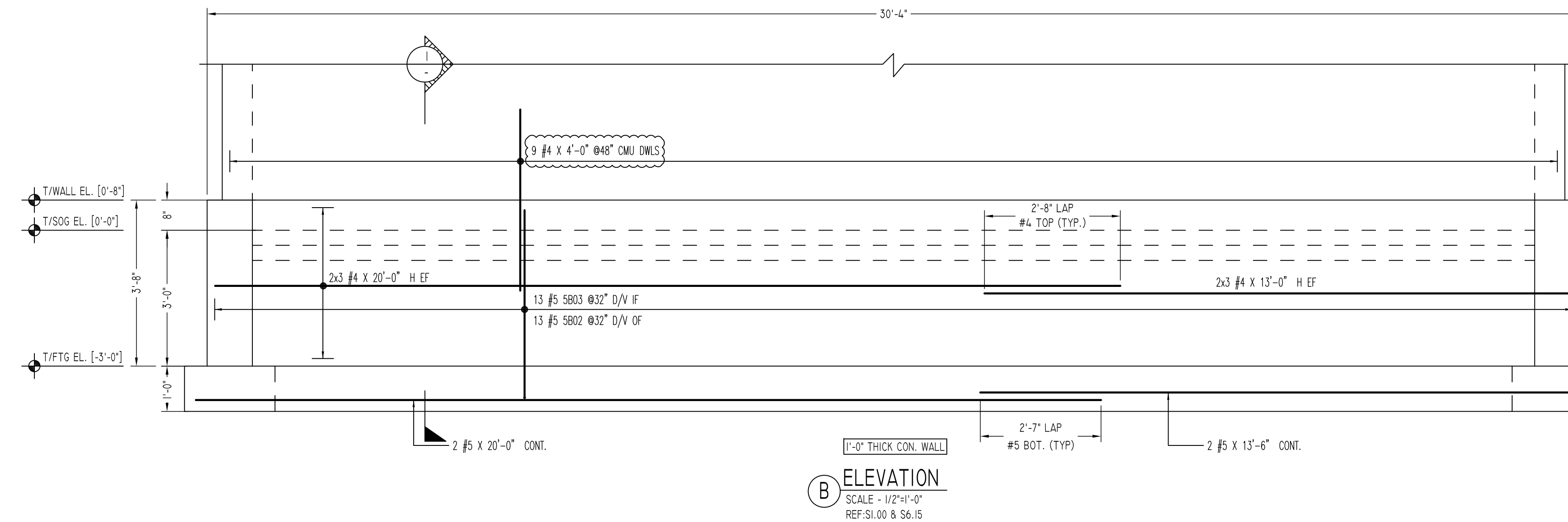
ELEVATION A
SCALE - 1/2"=1'-0"
REF.S1.00 & S6.15



SECTION 1
SCALE - 1/2"=1'-0"
REF.S0.1 & S5.1



SECTION 2
SCALE - 1/2"=1'-0"
REF.S0.1 & S5.1

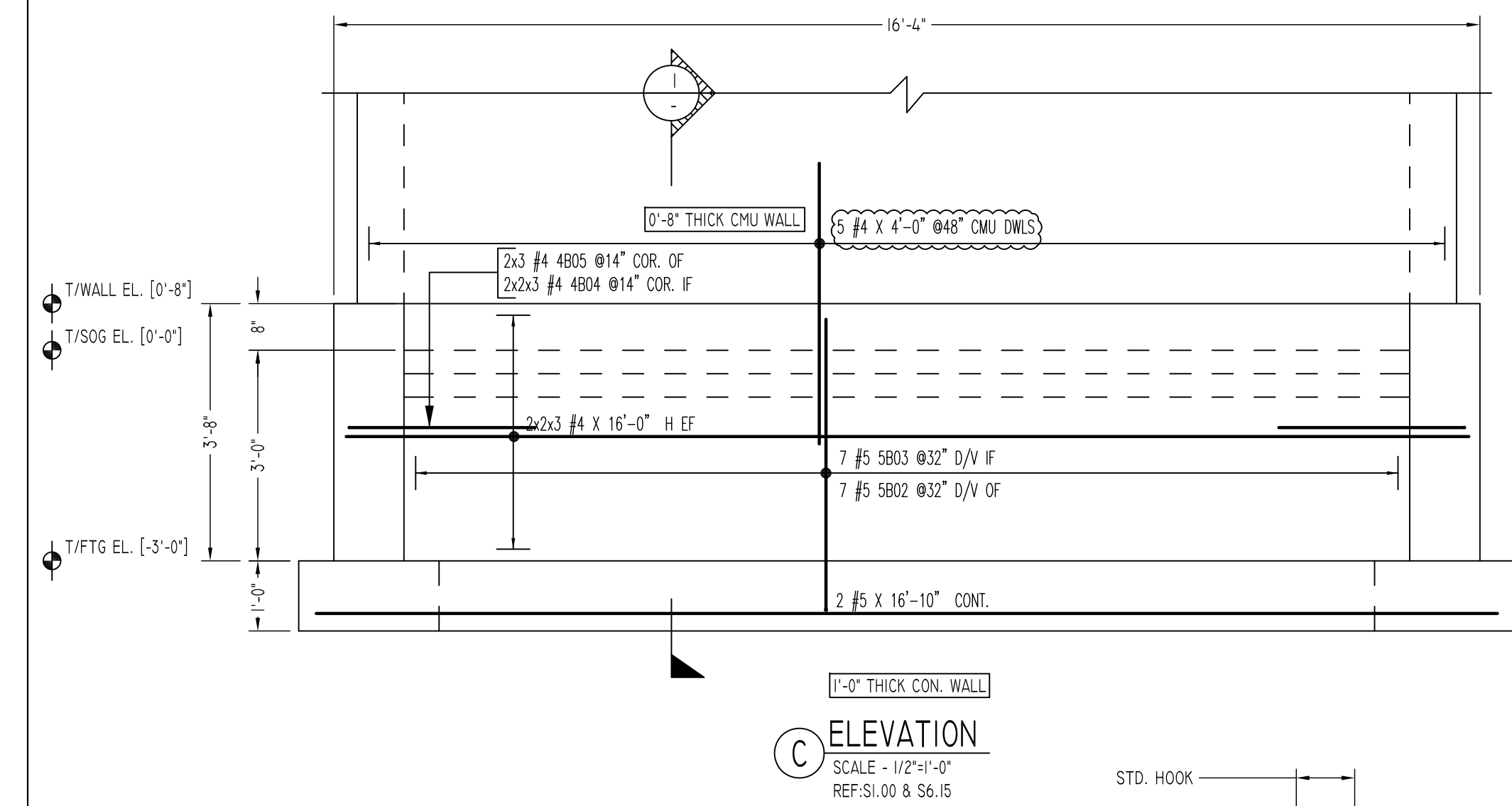
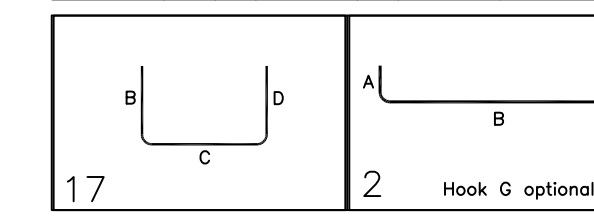


ELEVATION B
SCALE - 1/2"=1'-0"
REF.S1.00 & S6.15

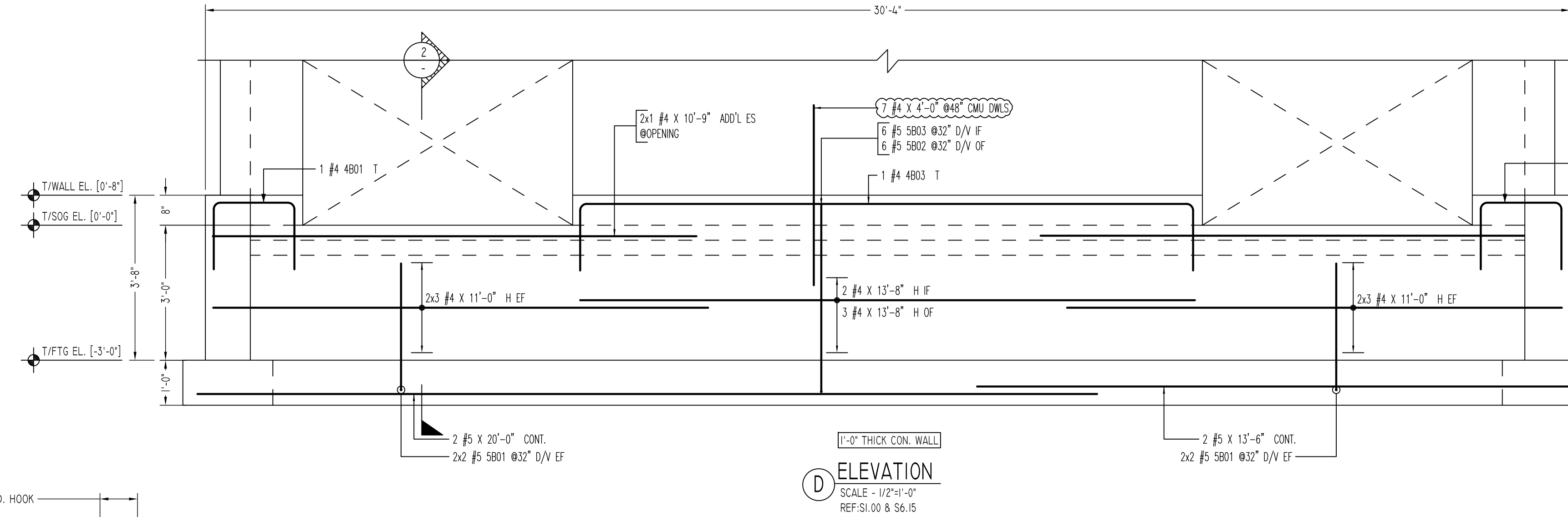
MESH DETAILS				
ELEMENT	MESH SIZE	SHEETS	AREA	REMARK
4" THK SLAB ON GRADE	6x6 - W2.9XW2.9 WWF	12	415 SQ.FT	5'-0" X 10'-0" SHEET SIZE (35% LAP ADDED)

ACCESSORIES DETAILS					
S. NO	ELEMENT	DESCRIPTION	PCS	LFT	REMARK
1	4" THK SOG	2" HT SB @4'-0" C/C	-	115	FOR MESH SUPPORT (@ BOTTOM)

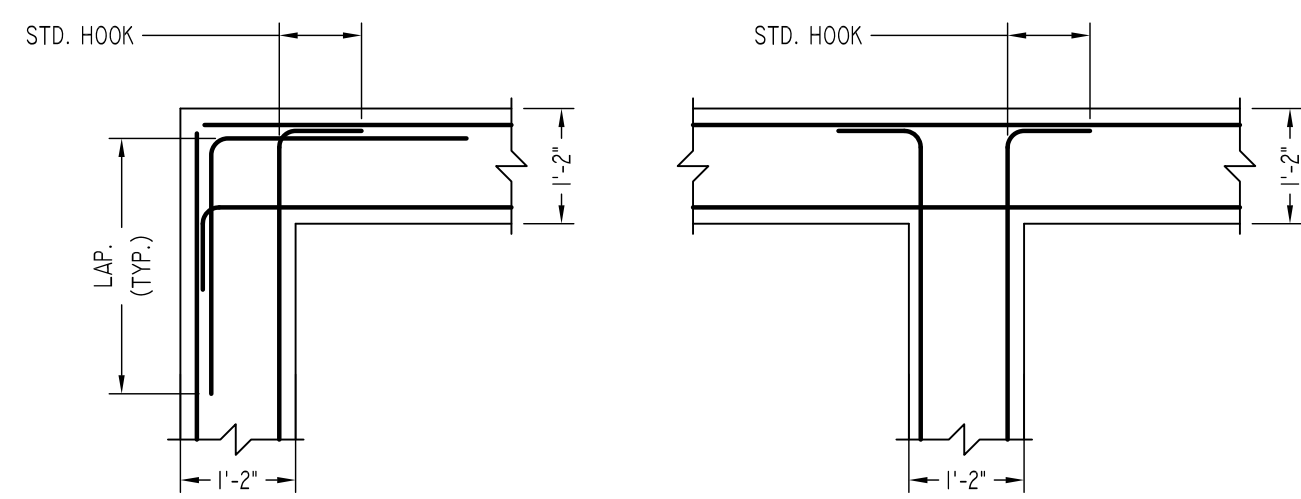
Bar Mark	Qty	Size	Total Length	Type	BENDING DETAILS															
					X	Y	Z	W	V	U	T	S	R	Q	P					
4801	2	#4	4'-10"	17		1'-6"	1'-10"	1'-6"												
4802	8	#4	4'-0"	17		2'-0"	2'-0"	2'-0"												
4803	4	#4	16'-8"	17		1'-6"	13'-8"	1'-6"												
4804	24	#4	3'-4"	2		0'-8"	2'-8"	2'-8"												
4805	12	#4	5'-4"	17		2'-8"	2'-8"	2'-8"												
5801	8	#5	3'-11"	17		2'-10"	1'-1"													
5802	33	#5	4'-1"	17		3'-0"	1'-1"													
5803	33	#5	5'-3"	17		4'-2"	1'-1"													



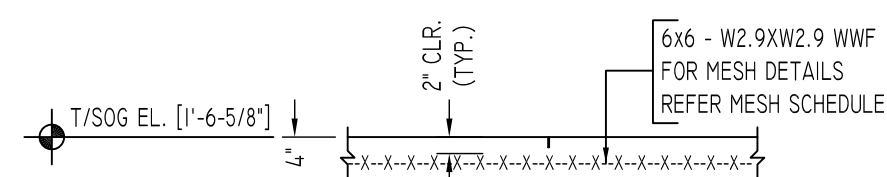
ELEVATION C
SCALE - 1/2"=1'-0"
REF.S1.00 & S6.15



ELEVATION D
SCALE - 1/2"=1'-0"
REF.S1.00 & S6.15



TYPICAL WALL CORNER & INTERSECTION DETAILS
SCALE - 1/2"=1'-0"
REF.S2.10, S7.00 & S5.00



TYPICAL SLAB CONTROL JOINT DETAILS
SCALE - 1/2"=1'-0"
REF.S2.10, S7.00 & S5.00

LAP SCHEDULE	
SIZE	4000 PSI
	TOP OTHERS
#3	24" 19"
#4	32" 25"
#5	40" 31"
#6	48" 37"
#7	70" 54"
#8	80" 62"
#9	91" 70"
#10	102" 79"
#11	113" 87"

TYPICAL REINFORCING BAR CLEARANCE TABLE	
LOCATION	MIN. COVER
SLAB TOP	2" CLR
SLAB EDGE & BOTTOM	3" CLR

Abbreviations:
I.F.=Inside Face
O.F.=Outside Face
E.F.=Each Face
DWL=Dowel
V=Vertical
H=Horizontal
C.B.=Corner Bar
S.DWL=Slab Dowel
E.W.=Each Way
B/BOT=Bottom
T=Top
MDWL=Masonry Dowel
B.B.=Bond Beam
ALT.=Alternate
Approx.=Approximate

OPNG=Opening
BAL=Balance
BTW=Between
CJ=Construction Joint
CLR=CLEARANCE
CMU=Concrete Masonry Unit
CONT=Continuous
EA=Each
Elev=Elevation
EMB=Embedment
SW=Short Way
LW=Long Way
BL=Black Bar
EP=Epoxy Bar
(GA)=Galvanized

NOTICE
Shortages, improper fabrication or claims for any other reason must be reported to this company within a period of 15 days of delivery. This company reserves the right to field inspect prior to replacement or reconditioning of nonconforming material, and will not honor charges for work done in the field without specific authorization from this company.

REINFORCING STEEL PLACING DRAWINGS ONLY USE IN CONJUNCTION WITH CONTRACT DRAWINGS & SPECIFICATIONS. ELEVATIONS & DIMENSIONS SHOWN ON THIS DRAWING ARE FOR DETAILING PURPOSES ONLY AND SHOULD NOT BE USED FOR CONSTRUCTION UNLESS VERIFIED BY ENGINEER OR CONTRACTOR.

REVISION MARK	REVISION DETAILS	DATE
0	FOR APPROVAL	08/09/2022

PROJECT	LATIMER LANE SCHOOL RENOVATION		
LOCATION	33 MOUNTAIN VIEW DRIVE WEATOGUE, CT 06089		
ARCHITECT	TECTON ARCHITECTS		
ENGINEER	MICHAEL HORTON ASSOCIATES, INC.		
CUSTOMER	-		
DRAWN BY:	DATE:	REVIEWED BY:	JOB NO.
GOW/MRS	08/09/22	T/L	22065
DRAWING TITLE:	DRAWING NO.:		
STORAGE BUILDING FOUNDATION AND SOG REINFORCEMENT DETAILS			R05