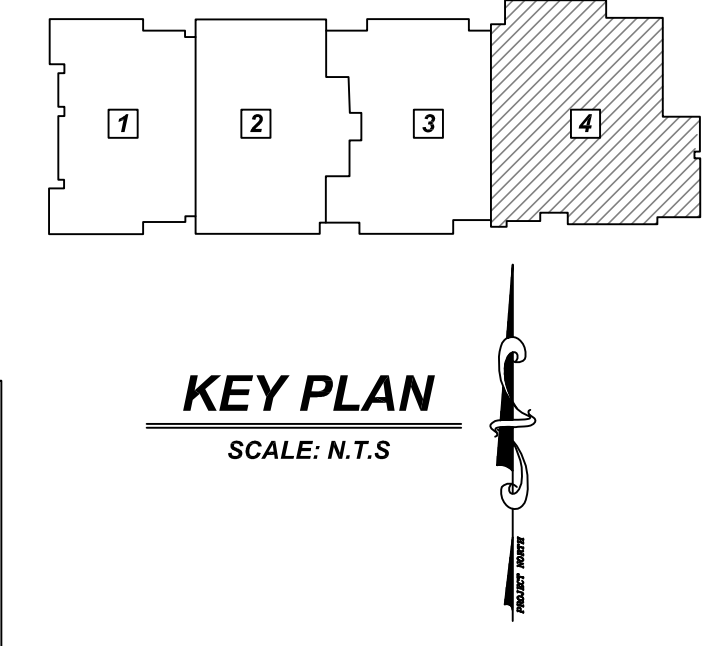


SECTION-4 CMU WALL REINFORCEMENT DETAILS
 SCALE: 1/16" = 1'-0"
 REF: G2.10, G2.11, S2.08 (DT.05/20/22)

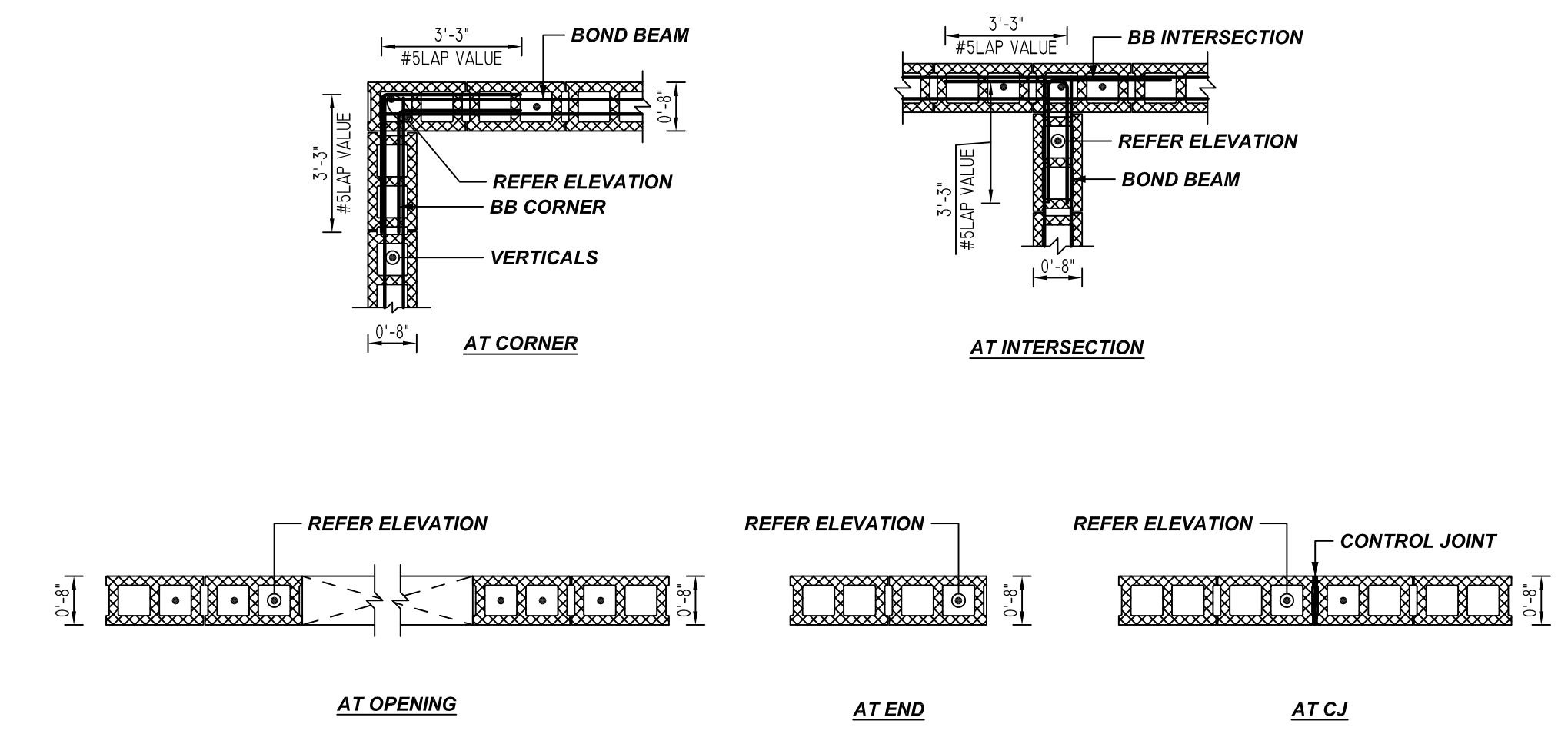
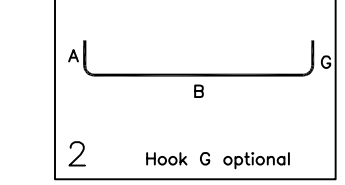
LEGEND:

	6" CMU/REF: SECTION-1/M03
	8" CMU/REF: SECTION-2/M03
	10" CMU/REF: SECTION-3/M03
	12" CMU/REF: SECTION-4/M03

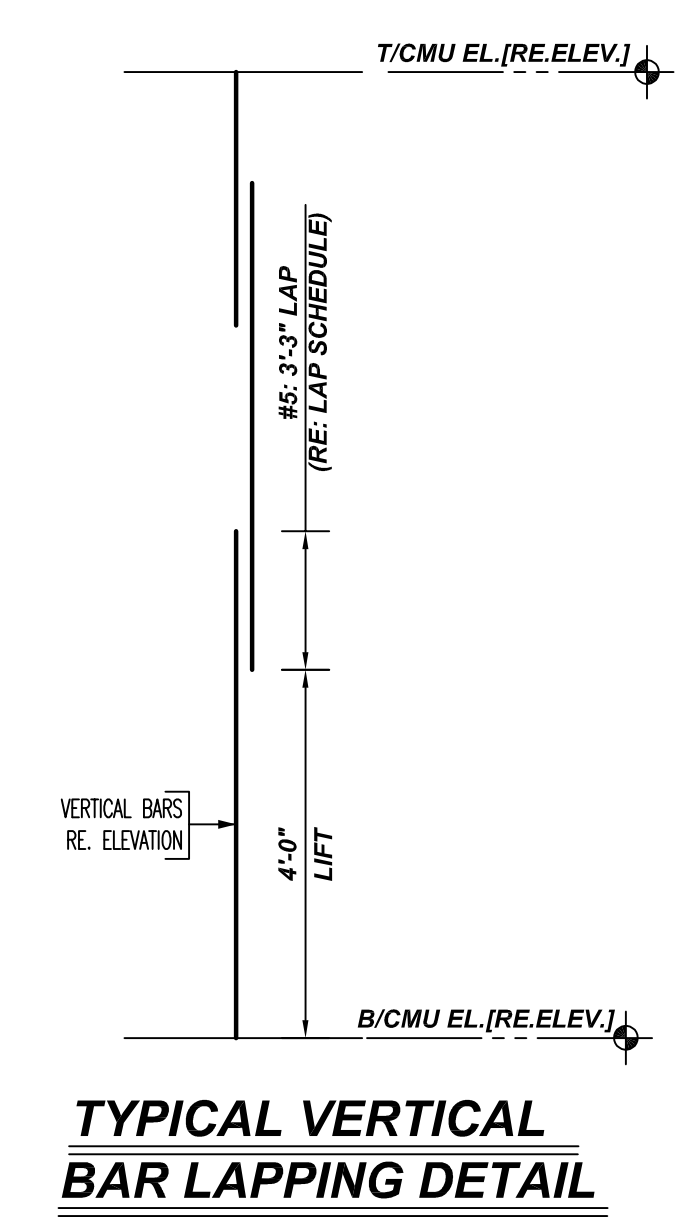


Release Number: M01

Bar Mark	Qty	Size	Total Length	Type	X	Y	Z	AA	AB	AC	AD	AE	AF	AG	AH	AI	AJ	AK	AL	AM	AN	AO	AP	AQ	AR
SA02	2	#5	4'-0"	2	0'-10"	3'-2"																			
SA03	4	#5	5'-0"	2	0'-10"	4'-2"																			



TYPICAL DETAILS - 8" CMU
 SCALE: 1/2" = 1'-0"
 REF: 6,9/S5.02 (DT.05/20/22)



TYPICAL VERTICAL BAR LAPPING DETAIL

**ALL BARS IN THIS DRAWING
 ASTM A615 GRADE 60
 BLACK UNCOATED**

LEGEND

NO. OF LOCATION	NO. OF LIFT	NO. OF BARS
2x3x2 #5x7'-3" VERTS		
NO. OF LIFT (OR) NO. OF LOCATION	NO. OF BARS	
2x1 #5x7'-3" VERTS		
LIFT 1 TO LIFT 6		2x1 #5x7'-3" VERTS L1-L6

LAP SCHEDULE

BAR#	LENGTHS
#4	2'-0"
#5	3'-3"
#6	7'-0"

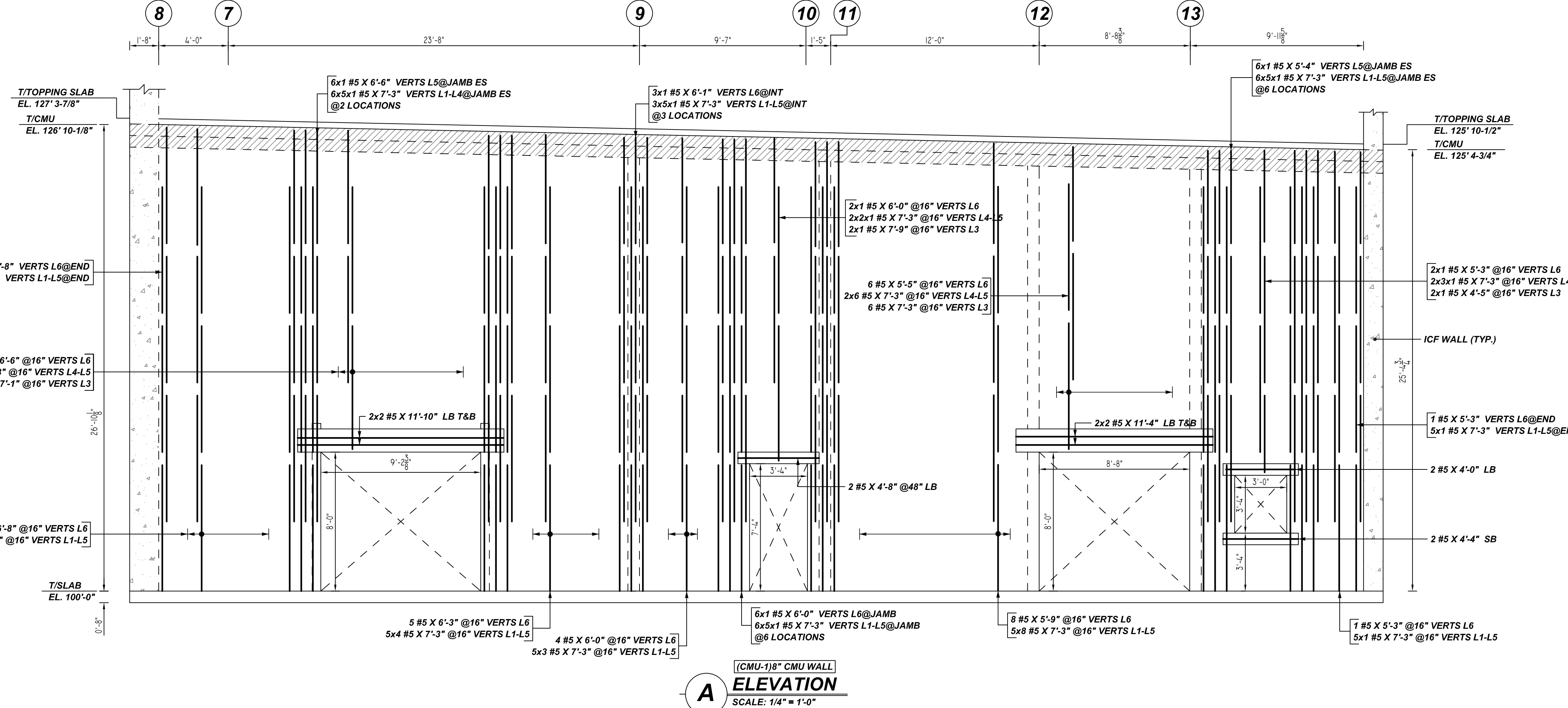
TYPICAL REINFORCING BAR CLEARANCE TABLE

LOCATION	MIN. COVER
WALL TOP & SIDE	2" CLR

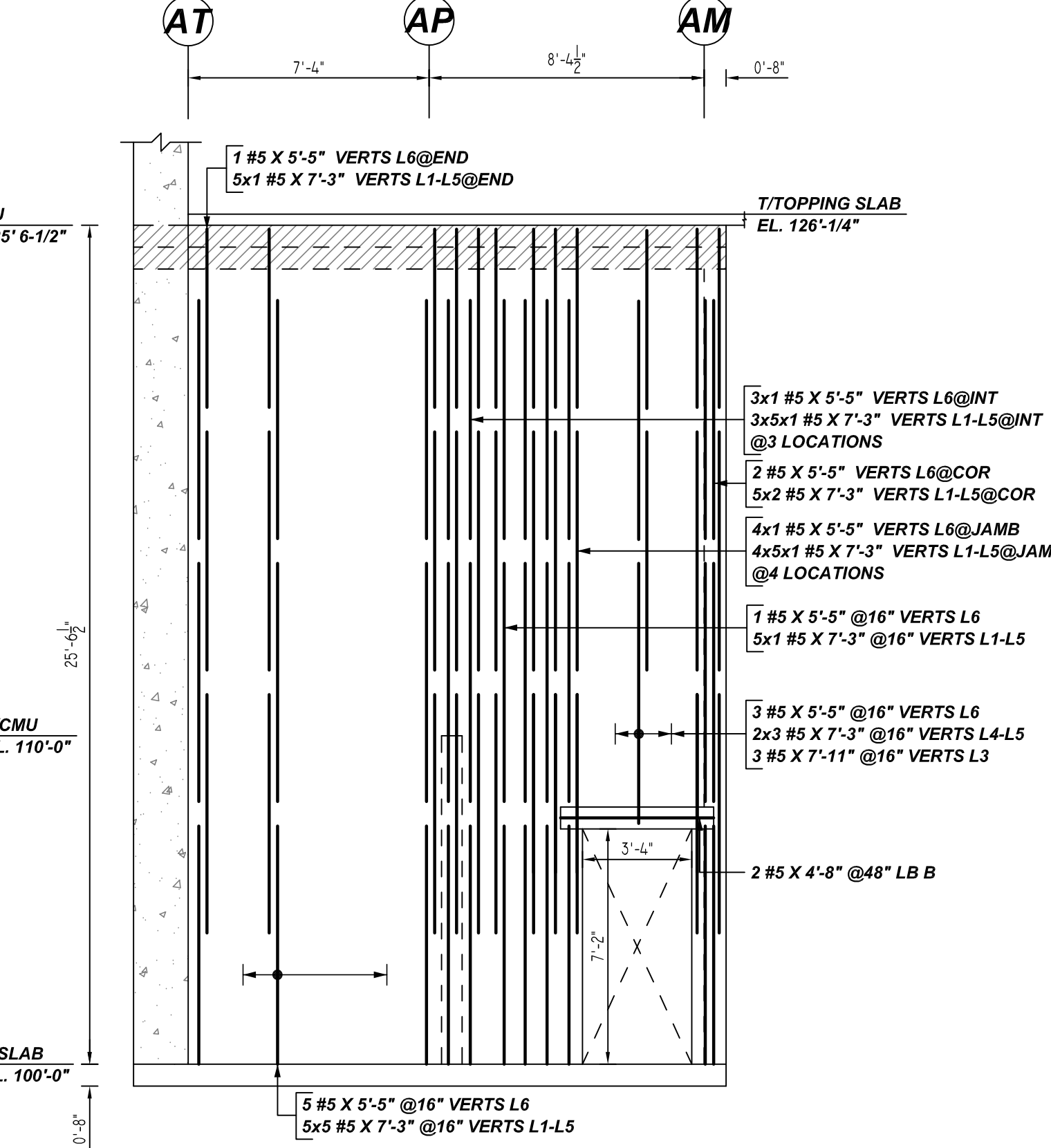
- PLACING PLAN NOTES**
- THIS DRAWINGS FOR REBAR PLACEMENT ASSISTANCE ONLY; REFER TO STRUCTURAL DETAILS FOR CONTRACT REQUIREMENTS
 - SECTIONS & DETAILS DIMENSIONS ON PLACING PLAN ARE FOR REFERENCE AND ARE TO BE USED IN CONJUNCTION WITH CONTRACT DRAWING FOR CRSI MANUAL OF STANDARD PRACTICE
 - REINFORCING STEEL IS DETAILED PER CONTRACT DOCUMENTS ONLY AS SHOWN CODE COMPLIANCE REQUIREMENTS ARE THE RESPONSIBILITY OF ENGINEER AND/OR CONTRACTOR
 - THE CONTRACTOR UNDERSTANDS THAT THE ENGINEER SHOULD ALWAYS VERIFY SHOP DRAWINGS IF TIME DOES NOT ALLOW FOR APPROVALS, TEXAS REBAR IS NOT HELD RESPONSIBLE FOR UNAPPROVED SHOP DRAWINGS USED IN PLACING CRSI MANUAL OF STANDARD PRACTICE THE CUSTOMER AND ENGINEER SHOULD REVIEW SHOP DRAWINGS PRIOR TO INSTALLATION TO VERIFY ACCURACY TO STRUCTURAL DRAWINGS.
- PLACING PLAN NOTES**
- DIMENSIONS ELEVATIONS & DRAWINGS SCALES SHOWN ARE FOR REFERENCE ONLY CONTRACTOR TO PROVIDE LINES, GRADES & TEMPLATES REQUIRED FOR PLACEMENTS
 - SECTIONS & DETAILS MAY NOT BE SHOWN ON ALL PLACING PLANS. KEEP STRUCTURAL DRAWINGS ON SITE FOR USE
 - SOME LAP LENGTHS WILL BE ROUNDED UP IN DETAILING TO PROVIDE FOR 1" INCREMENTS FOR LAPS
 - LAP OR EMBEDMENT LENGTHS SHOWN IN SPECIFIC DETAILS WILL SUPPRESS LAPS IN THE LAP SCHEDULE
 - VERIFY PLACEMENT DRAWINGS TO LATEST ISSUE OF JOB RECORD DRAWING FOR POSSIBLE REVISIONS OR FIELD CHANGES
 - TYPICAL NOTES & DETAILS ARE USED THROUGHOUT ENTIRE PROJECT & APPLY UNLESS NOTED OTHERWISE.

REVISION	NO.	DATE	DESCRIPTION
FOR APPROVAL	0		
	1		
	2		
	3		
	4		

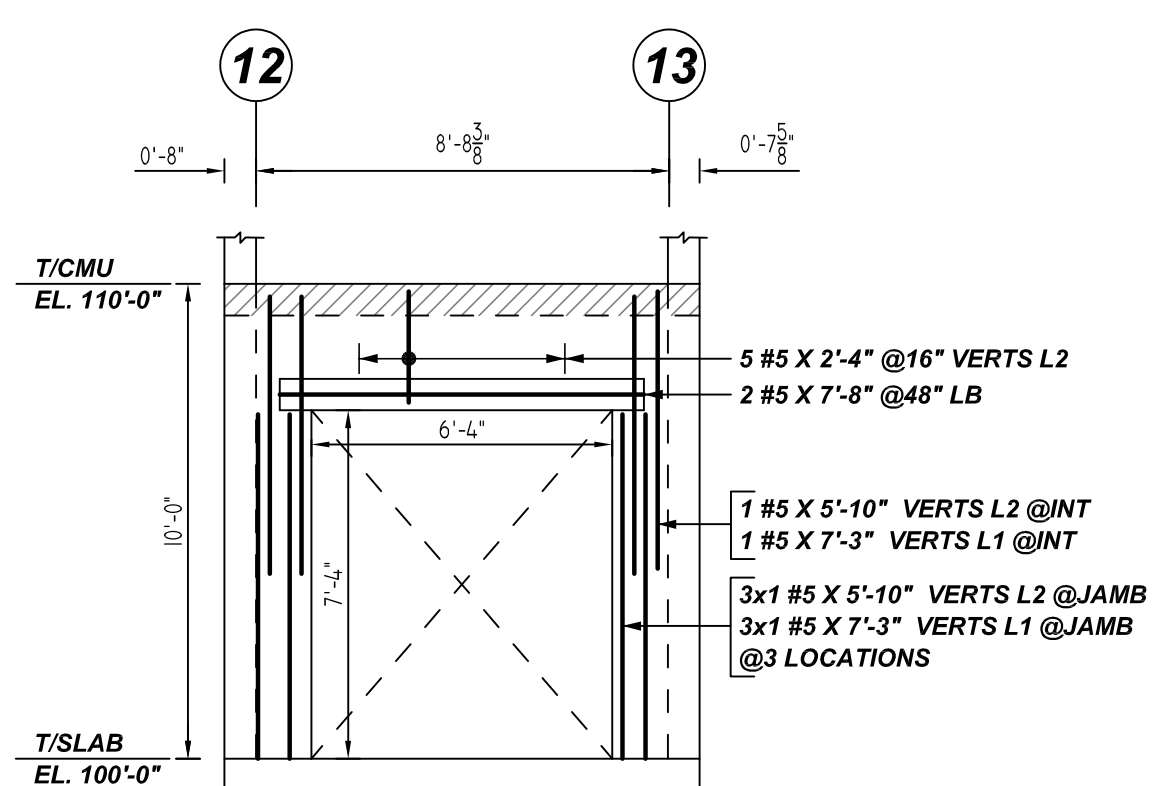
JOB NAME:	NEW ELEMENTARY SCHOOL #17
JOB NO:	22102
DETAILS OF:	CMU WALL REINFORCEMENT DETAILS
DATE:	08-15-22
DETAILER:	SSTR
DRWG:	M01
TEXAS REBAR, LLC 817-487-1672	



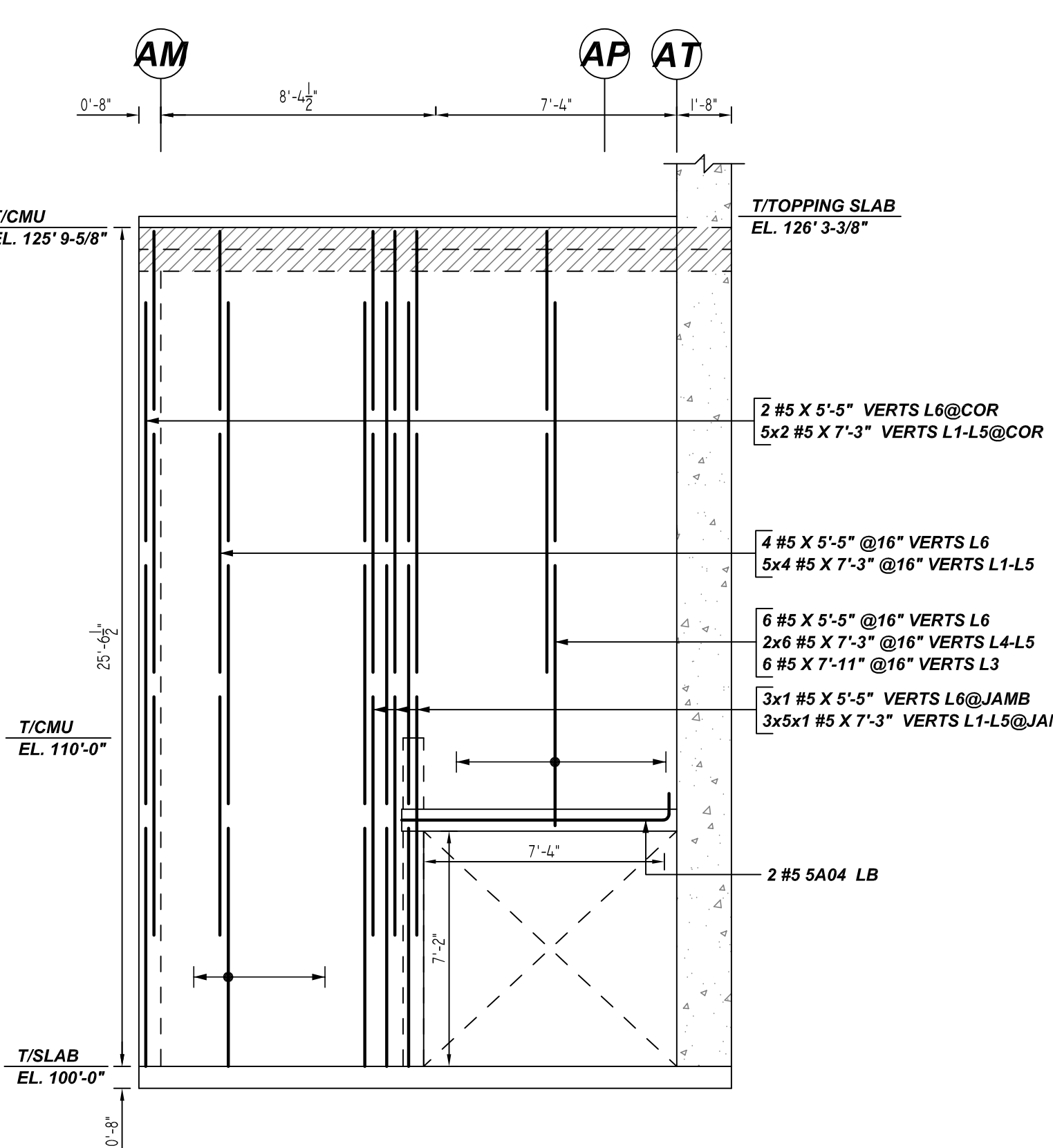
A
 (CMU-1)8" CMU WALL
ELEVATION
 SCALE: 1/4" = 1'-0"
 REF: S4.07, S4.02 (DT.05/20/22)



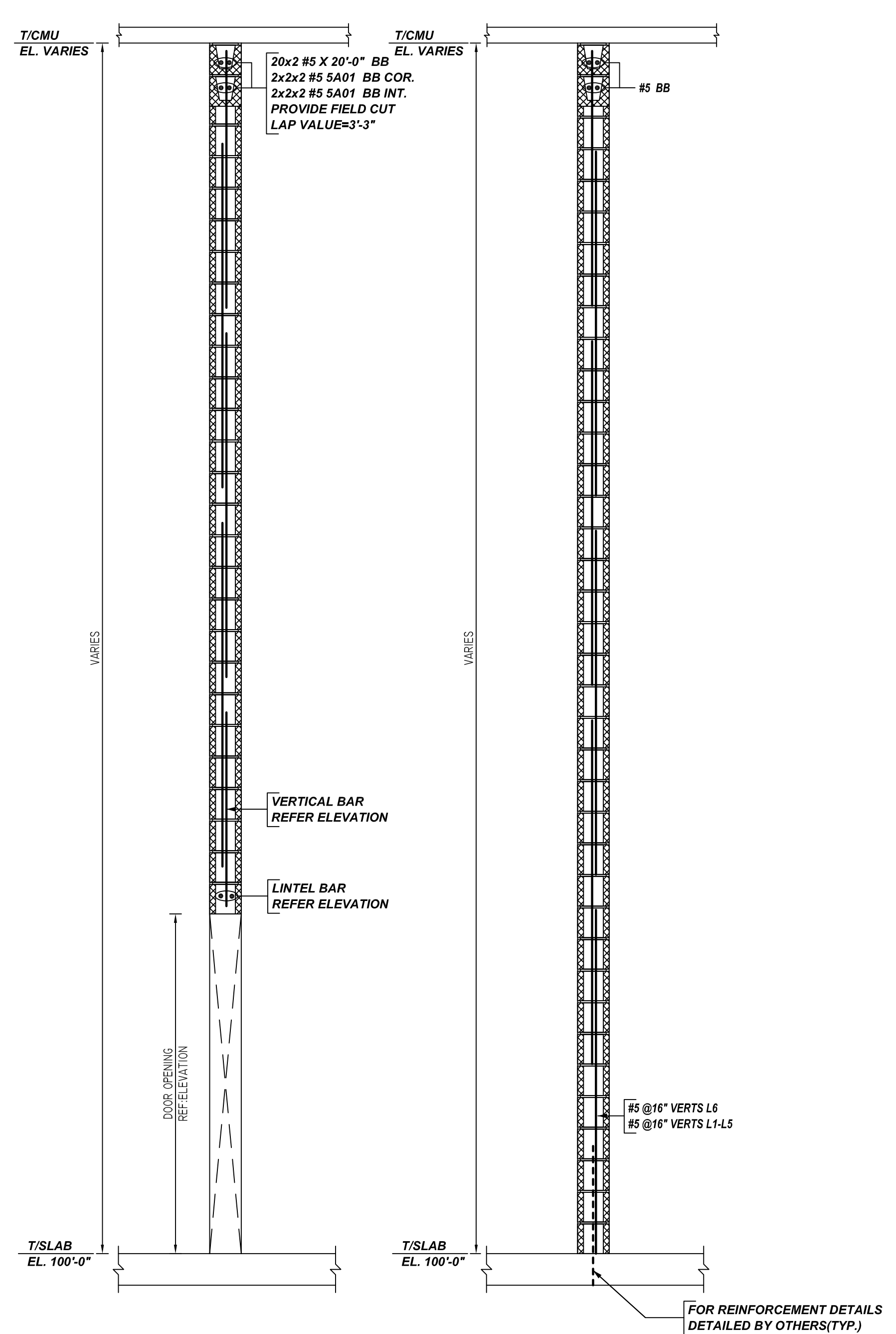
B
 (CMU-1)8" CMU WALL
ELEVATION
 SCALE: 1/4" = 1'-0"
 REF: S4.07, S4.02 (DT.05/20/22)



C
 (CMU-1)8" CMU WALL
ELEVATION
 SCALE: 1/4" = 1'-0"
 REF: S4.02 (DT.05/20/22)



D
 (CMU-1)8" CMU WALL
ELEVATION
 SCALE: 1/4" = 1'-0"
 REF: S4.07, S4.02 (DT.05/20/22)

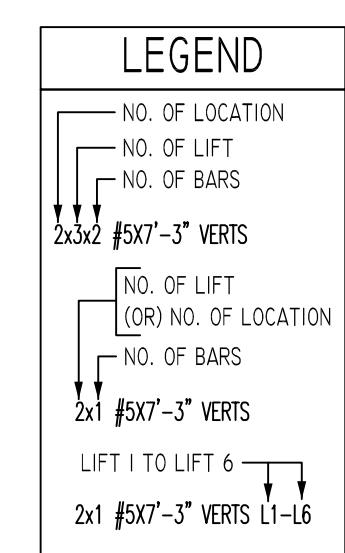


TYPICAL SECTION - 8" CMU
 SCALE: 1/2" = 1'-0"
 REF: S4.01 (DT.05/20/22)

- PLACING PLAN NOTES**
1. THIS DRAWING FOR REBAR PLACEMENT ASSISTANCE ONLY, REFER TO STRUCTURAL DETAILS FOR CONTRACT REQUIREMENTS
 2. SECTIONS & DETAILS ON PLACING PLAN ARE FOR REFERENCE ONLY AND ARE TO BE USED IN CONJUNCTION WITH CONTRACT DRAWING FOR CRSI MANUAL OF STANDARD PRACTICE
 3. REINFORCING STEEL IS DETAILED PER CONTRACT DOCUMENTS ONLY AS SHOWN CODE COMPLIANCE REQUIREMENTS ARE THE RESPONSIBILITY OF ENGINEER AND/OR CONTRACTOR
 4. THE CONTRACTOR UNDERSTANDS THAT THE ENGINEER SHOULD ALWAYS VERIFY SHOP DRAWINGS IF TIME DOES NOT ALLOW FOR APPROVALS, TEXAS REBAR IS NOT HELD RESPONSIBLE FOR UNAPPROVED SHOP DRAWINGS USED IN PLACING CRSI MANUAL OF STANDARD PRACTICE THE CUSTOMER AND ENGINEER SHOULD REVIEW SHOP DRAWINGS PRIOR TO INSTALLATION TO VERIFY ACCURACY TO STRUCTURAL DRAWINGS.
- PLACING PLAN NOTES**
1. DIMENSIONS ELEVATIONS & DRAWINGS GRADES SHOWN ARE FOR REFERENCE ONLY CONTRACTOR TO PROVIDE LINES, GRADES & TEMPLATES REQUIRED FOR PLACEMENTS
 2. SECTIONS & DETAILS MAY NOT BE SHOWN ON ALL PLACING PLANS. KEEP STRUCTURAL DRAWINGS ON SITE FOR USE
 3. SOME LAP LENGTHS WILL BE ROUNDED UP IN DETAILING TO PROVIDE 1" INCREMENTS FOR LAPS
 4. LAP OR EMBEDMENT LENGTHS SHOWN IN SPECIFIC DETAILS WILL SUPPRESS LAPS IN THE LAP SCHEDULE
 5. VERIFY PLACEMENT DRAWINGS TO LATEST ISSUE OF JOB RECORD DRAWING FOR POSSIBLE REVISIONS OR FIELD CHANGES
 6. TYPICAL NOTES & DETAILS ARE USED THROUGHOUT ENTIRE PROJECT & APPLY UNLESS NOTED OTHERWISE.

Bar Mark	Qty	Size	Total Length	Type	X	Y	Z	W	V	U	T	S	R	Q	P	O	N	M	L	K	J	I	H	G	F	E	D	C	B	A
S401	18	#5	6'-6"	L1	3'-3"																									
S404	2	#6	9'-0"	L2	9'-10"	8'-2"																								

ALL BARS IN THIS DRAWING
ASTM A615 GRADE 60
BLACK UNCOATED



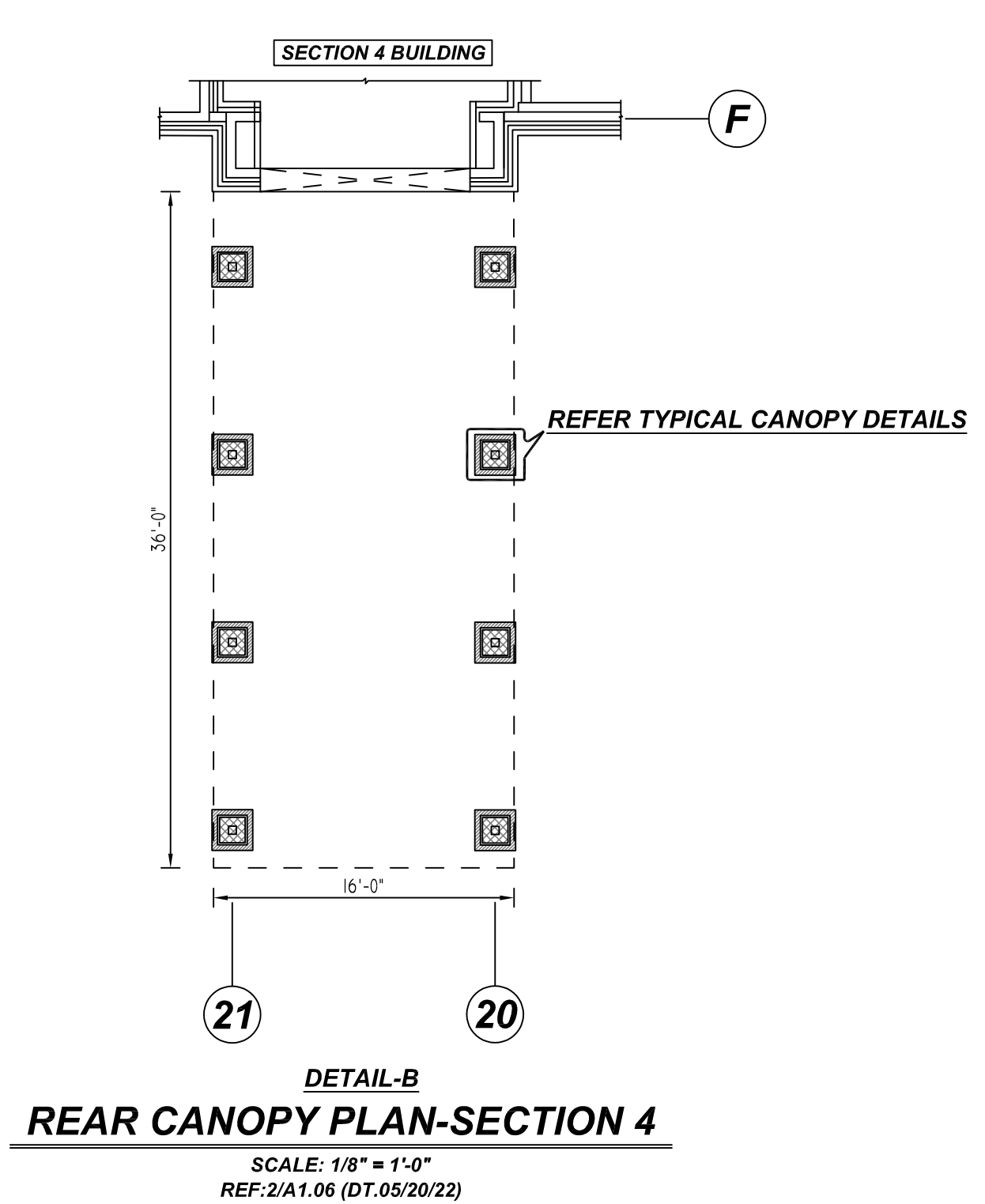
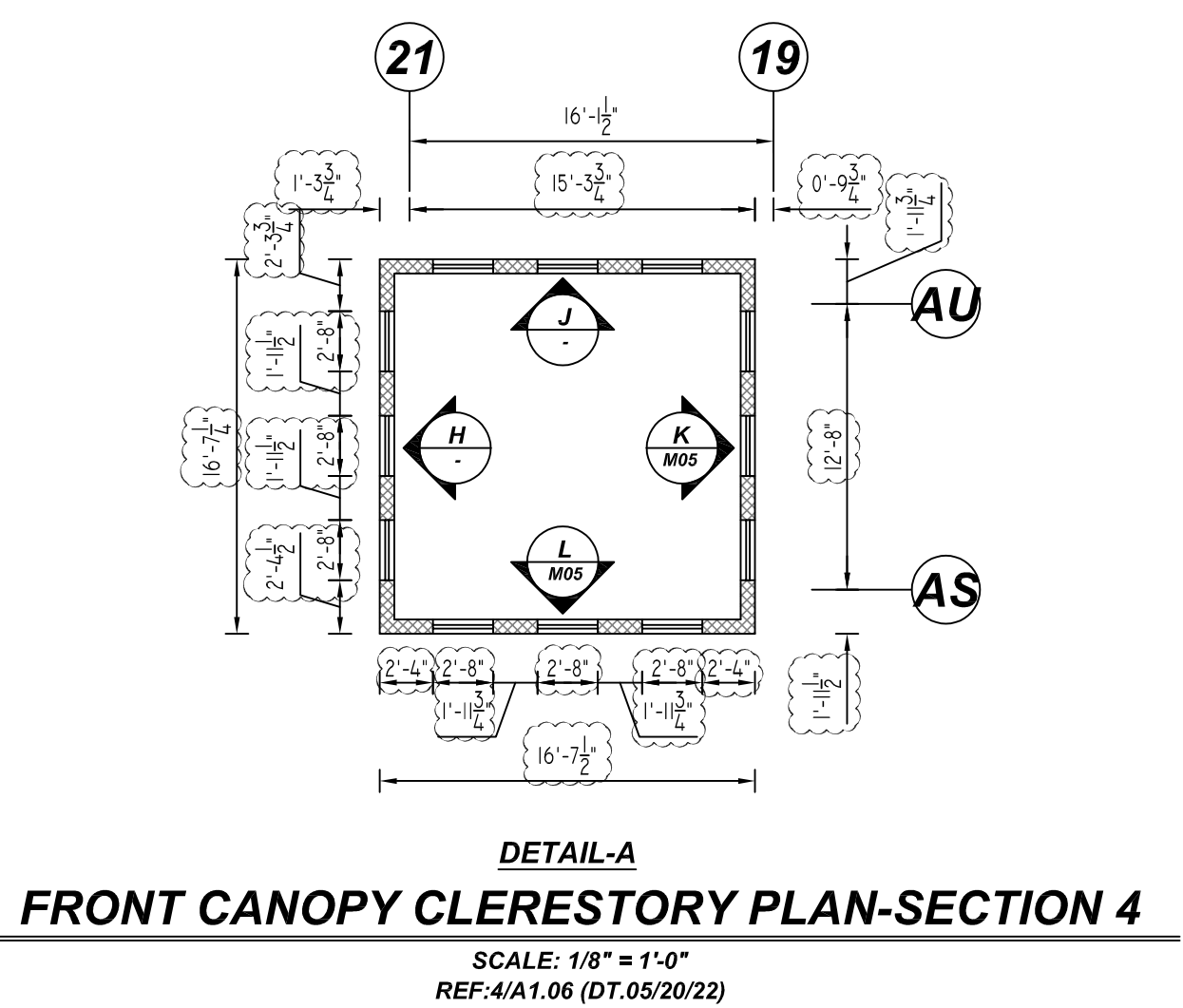
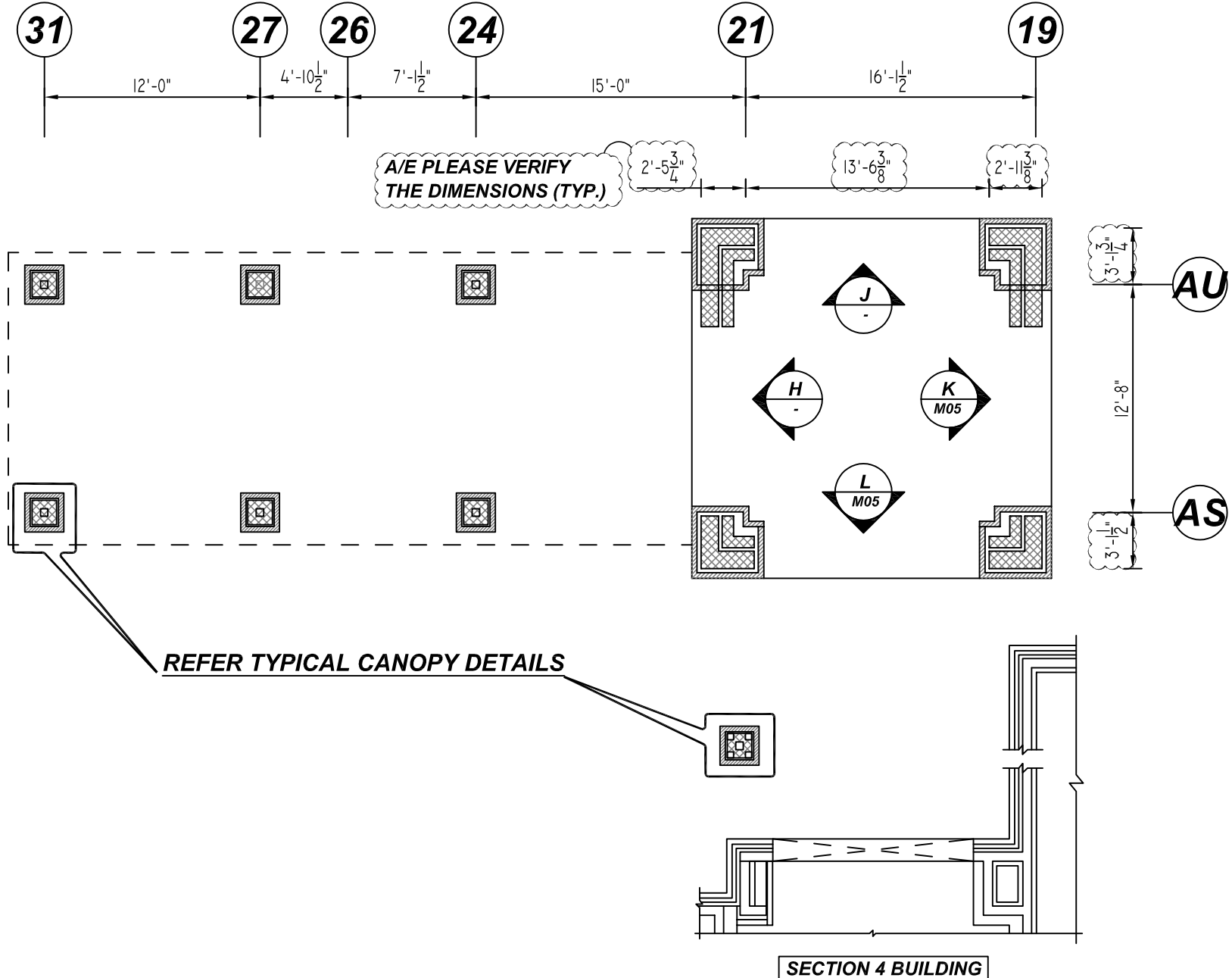
LAP SCHEDULE

BAR#	LENGTHS
#4	2'-0"
#5	3'-3"
#6	7'-0"

TYPICAL REINFORCING BAR CLEARANCE TABLE

LOCATION	MIN. COVER
WALL TOP & SIDE	2" CLR

NO.	DATE	DESCRIPTION	BY	CHECKED	DATE	NO.	DATE	DESCRIPTION	BY	CHECKED	DATE	JOB NAME: NEW ELEMENTARY SCHOOL #17	
												NO.	DATE
1	08/15/22											JOB NO: 22102	DATE: 08-15-22
												DETAILS OF: CMU WALL REINFORCEMENT DETAILS	DATE: 08-15-22
												DETAILER: SSTR	DRWG: M02
TEXAS REBAR, LLC 817-487-1672													



Bar No.	Qty	Size	Total Length	Type	X	Y	Z	BR	LIST
4A01	63	#4	4'-8"	L	0'-6"	3'-3"	3'-3"		
5A01	64	#5	6'-6"	L	0'-6"	3'-3"	3'-3"		

**ALL BARS IN THIS DRAWING
ASTM A615 GRADE 60
BLACK UNCOATED**

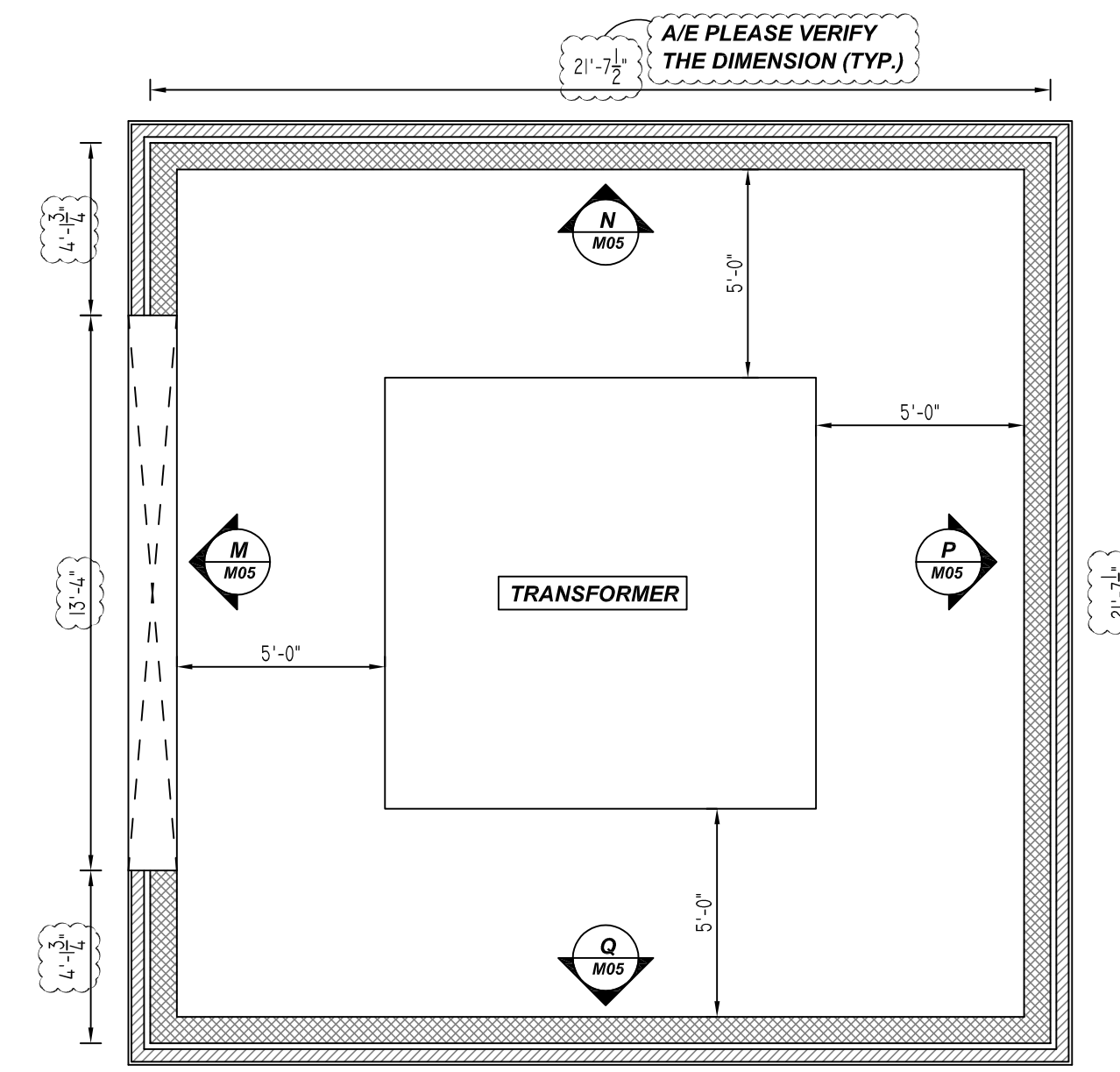
TYPICAL REINFORCING BAR CLEARANCE TABLE	
LOCATION	MIN. COVER
WALL TOP & SIDE	2" CLR

LEGEND	
NO. OF LOCATION	
NO. OF LIFT	
NO. OF BARS	
2x3/2 #5X7'-3" VERTS	
NO. OF LIFT (OR) NO. OF LOCATION	
NO. OF BARS	
2x1 #5X7'-3" VERTS	
LIFT 1 TO LIFT 6	
2x1 #5X7'-3" VERTS L1-L6	

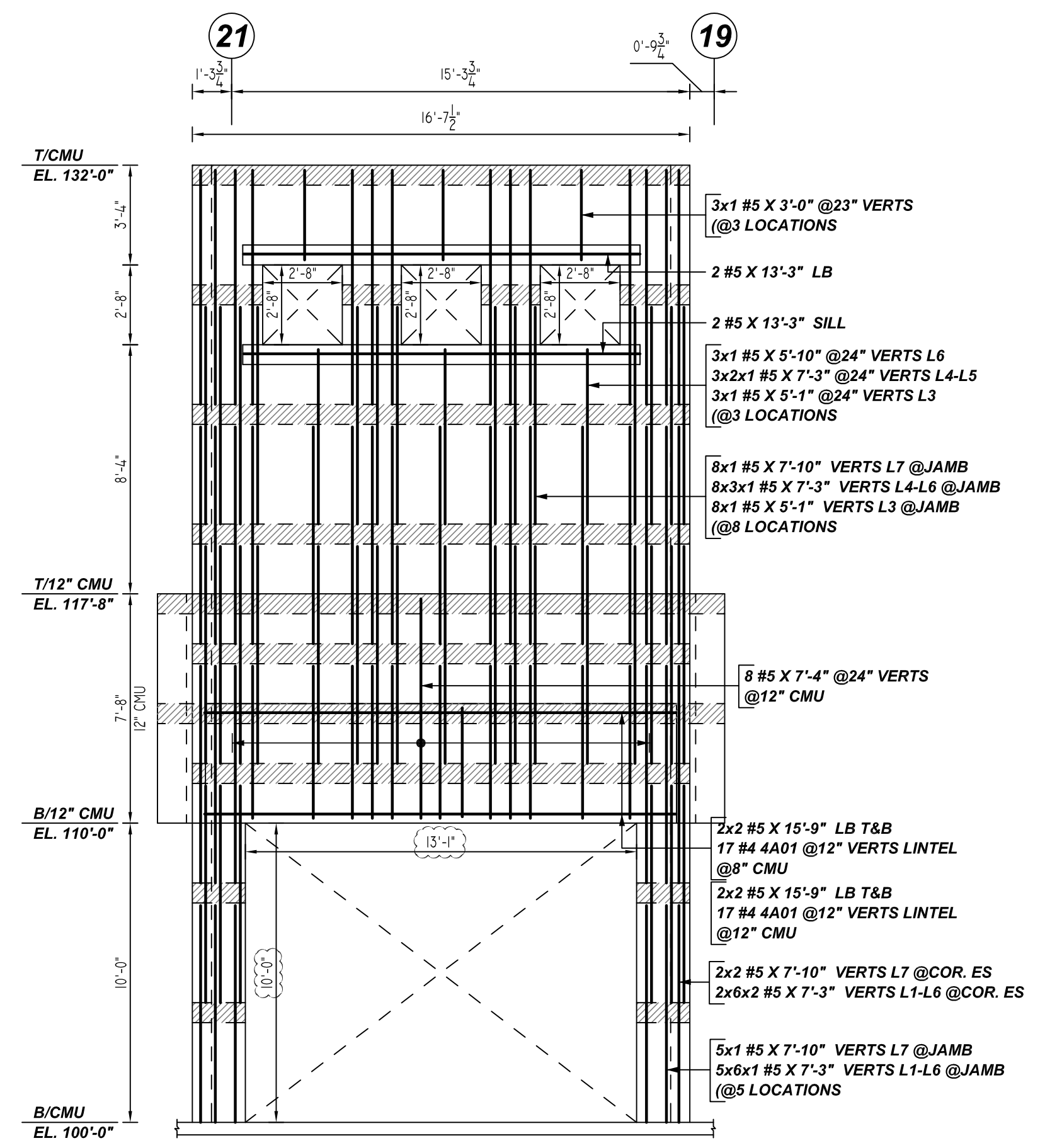
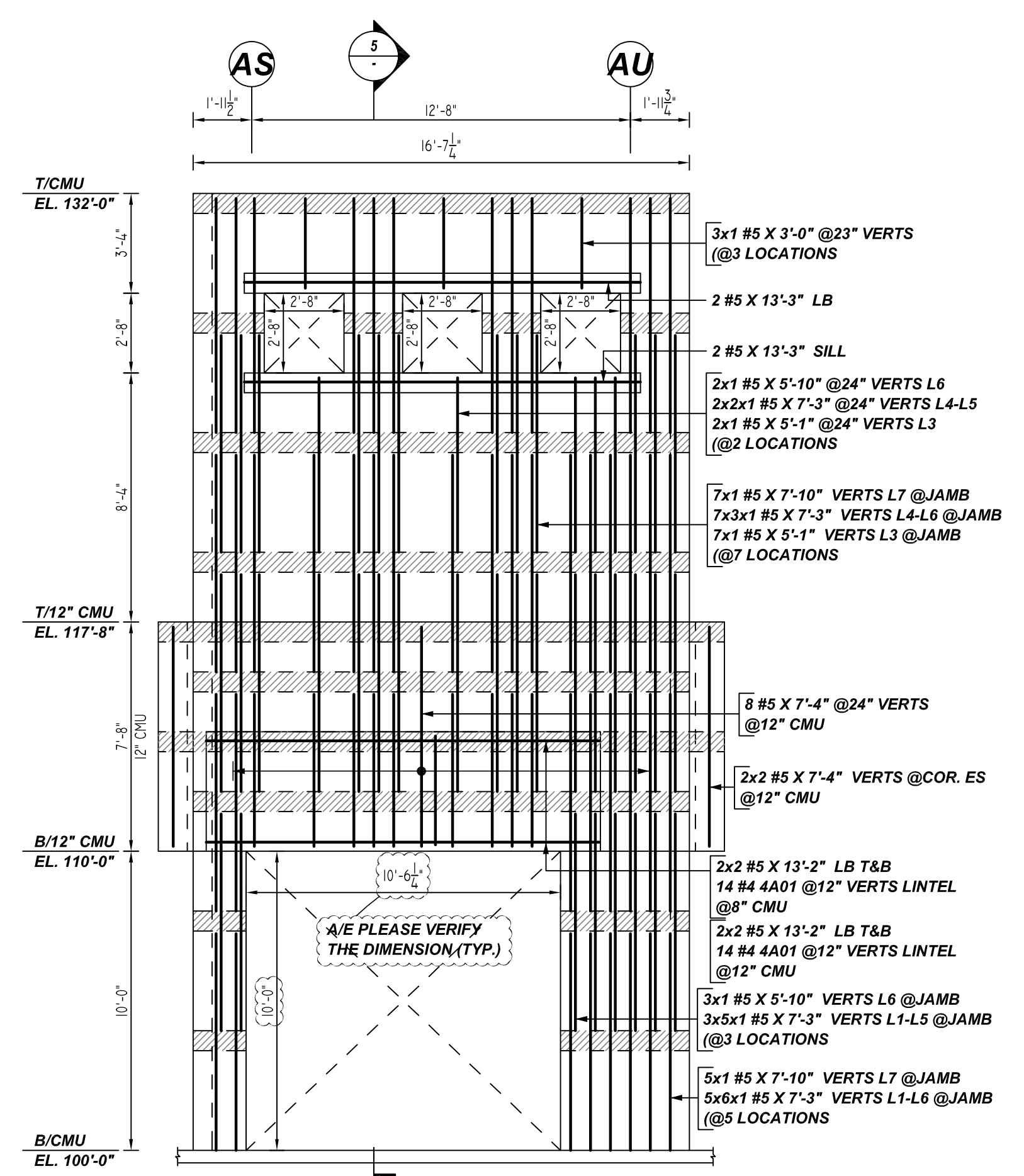
LAP SCHEDULE	
BAR#	LENGTHS
#4	2'-0"
#5	3'-3"
#6	7'-0"

**DETAIL-A
FRONT CANOPY PLAN-SECTION 4**
SCALE: 1/8" = 1'-0"
REF: 1/A1.06 (DT.05/20/22)

**DETAIL-B
REAR CANOPY PLAN-SECTION 4**
SCALE: 1/8" = 1'-0"
REF: 2/A1.06 (DT.05/20/22)

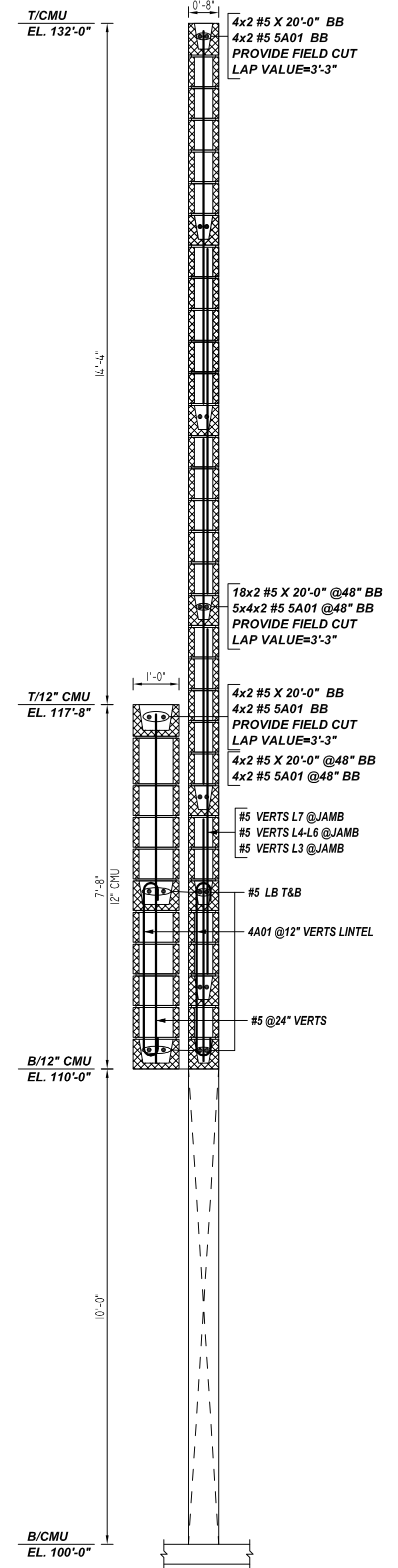


AS - TRANSFORMER ENCLOSURE CMU WALL LAYOUT
SCALE: 1/4" = 1'-0"
REF: 13/AS2.02 (DT.07/12/22)



H ELEVATION
SCALE: 1/4" = 1'-0"
REF: S4.01, 4/S4.07 & 3, 5/A6.04 (DT.05/20/22)
A/E PLEASE VERIFY THE ELEVATION PROFILE & BAR ARRANGEMENT (TYP.)

J ELEVATION
SCALE: 1/4" = 1'-0"
REF: S4.01, 1/S4.07 & 3, 5/A6.04 (DT.05/20/22)

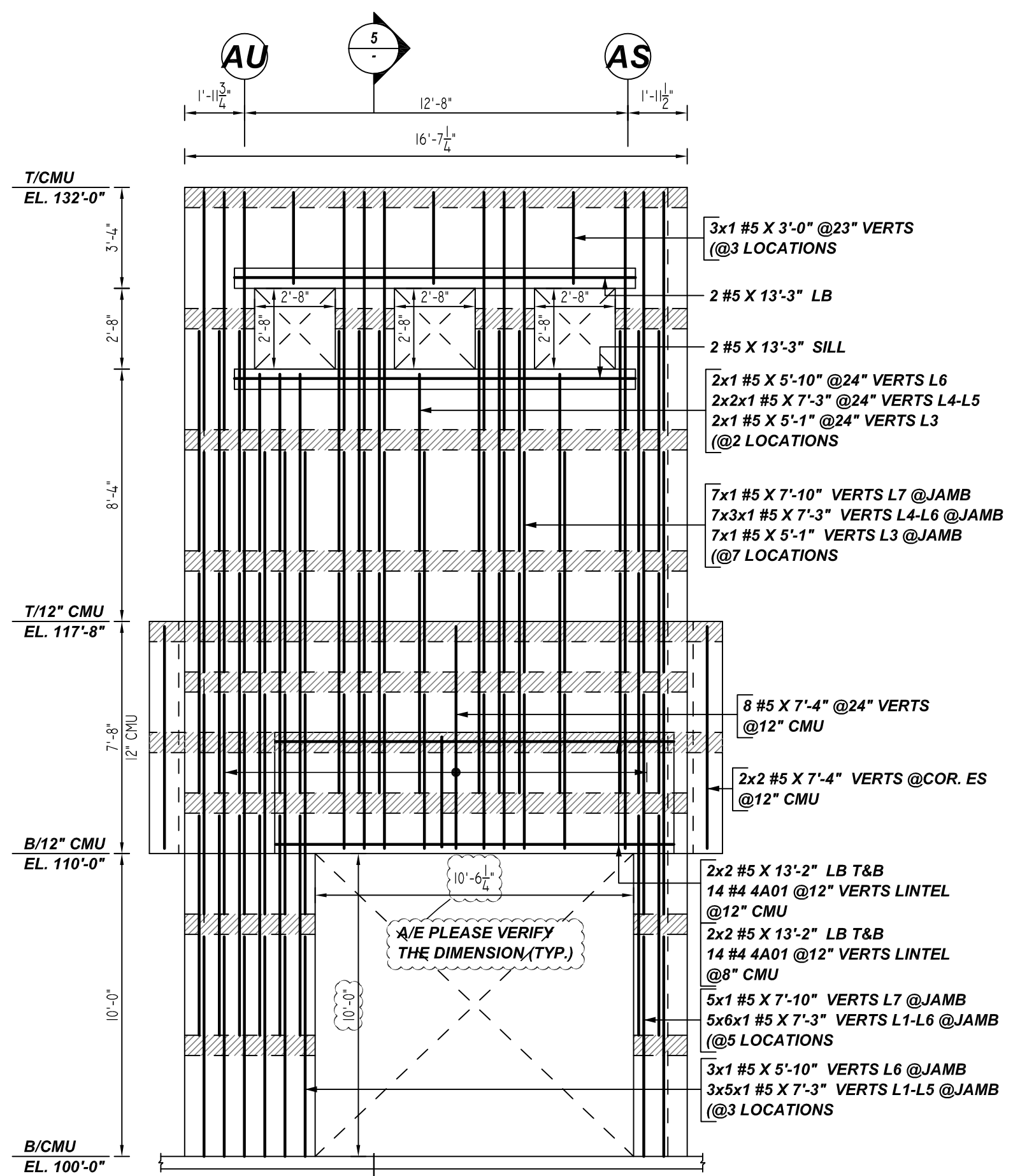


5 SECTION
SCALE: 1/4" = 1'-0"
REF: 6/S7.07 & 3, 5/A6.04 (DT.05/20/22)

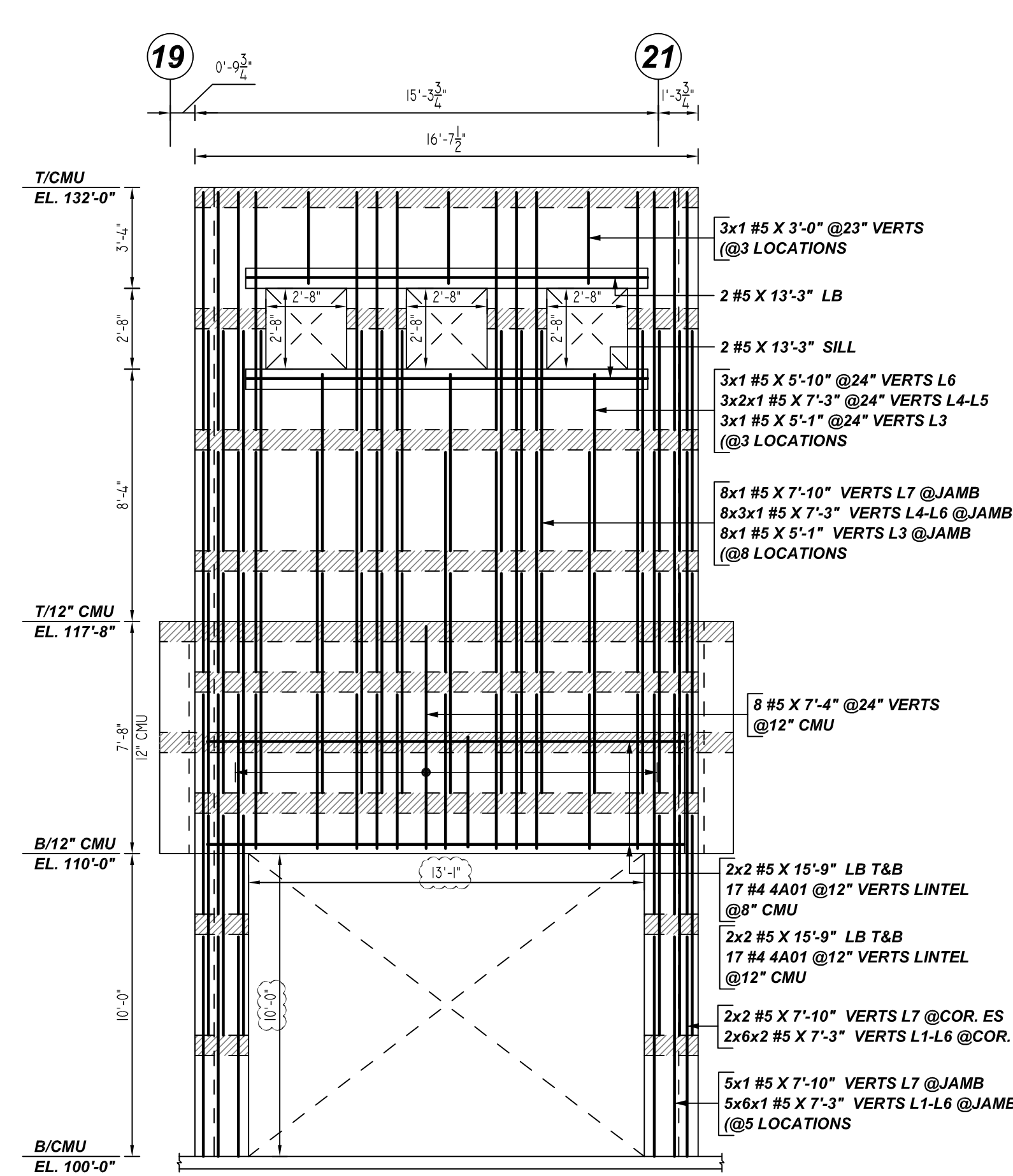
- PLACING PLAN NOTES**
- THIS DRAWINGS FOR REBAR PLACEMENT ASSISTANCE ONLY; REFER TO STRUCTURAL DETAILS FOR CONTRACT REQUIREMENTS
 - SECTIONS (DETAILS) DIMENSIONS ON PLACING PLAN ARE FOR REFERENCE AND ARE TO BE USED IN CONJUNCTION WITH CONTRACT DRAWING FOR CRSI MANUAL OF STANDARD PRACTICE
 - REINFORCING STEEL IS DETAILED PER CONTRACT DOCUMENTS ONLY AS SHOWN CODE COMPLIANCE REQUIREMENTS ARE THE RESPONSIBILITY OF ENGINEER AND/OR CONTRACTOR
 - THE CONTRACTOR UNDERSTANDS THAT THE ENGINEER SHOULD ALWAYS VERIFY SHOP DRAWINGS IF TIME DOES NOT ALLOW FOR APPROVALS, TEXAS REBAR IS NOT HELD RESPONSIBLE FOR UNAPPROVED SHOP DRAWINGS USED IN PLACING CRSI MANUAL OF STANDARD PRACTICE THE CUSTOMER AND ENGINEER SHOULD REVIEW SHOP DRAWINGS PRIOR TO INSTALLATION TO VERIFY ACCURACY TO STRUCTURAL DRAWINGS.
- PLACING PLAN NOTES**
- DIMENSIONS ELEVATIONS & DRAWINGS SCALES SHOWN ARE FOR REFERENCE ONLY CONTRACTOR TO PROVIDE LINES, GRADES & TEMPLATES REQUIRED FOR PLACEMENTS
 - SECTIONS & DETAILS MAY NOT BE SHOWN ON ALL PLACING PLANS. KEEP STRUCTURAL DRAWINGS ON SITE FOR USE
 - SOME LAP LENGTHS WILL BE ROUNDED UP IN DETAILING TO PROVIDE FOR 1" INCREMENTS FOR LAPS
 - LAP OR EMBEDMENT LENGTHS SHOWN IN SPECIFIC DETAILS WILL SUPPRESS LAPS IN THE LAP SCHEDULE
 - VERIFY PLACEMENT DRAWINGS TO LATEST ISSUE OF JOB RECORD DRAWING FOR POSSIBLE REVISIONS OR FIELD CHANGES
 - TYPICAL NOTES & DETAILS ARE USED THROUGHOUT ENTIRE PROJECT & APPLY UNLESS NOTED OTHERWISE.

REVISION	NO.	DESCRIPTION	DATE	BY
	1			
	2			
	3			
	4			

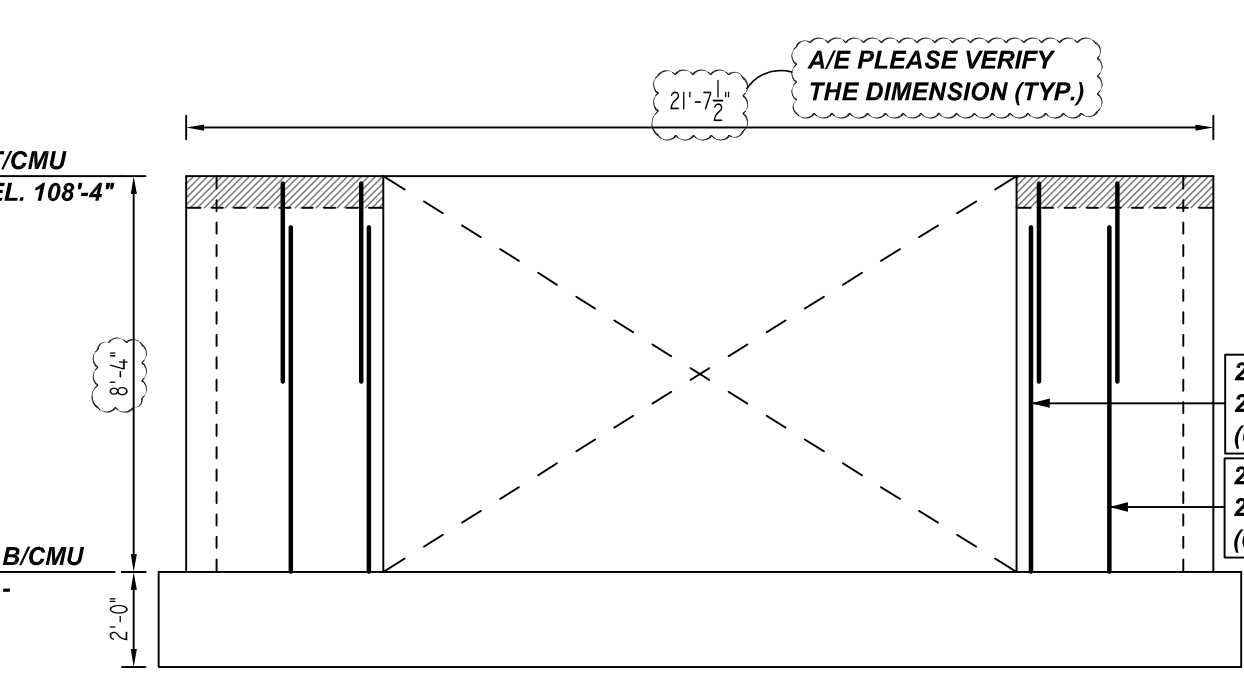
JOB NAME:	NEW ELEMENTARY SCHOOL #17
JOB NO:	22102
DETAILS OF:	CMU WALL REINFORCEMENT DETAILS
DATE:	08-15-22
DETAILER:	SSTR
DRWG:	M04
TEXAS REBAR, LLC 817-487-1672	



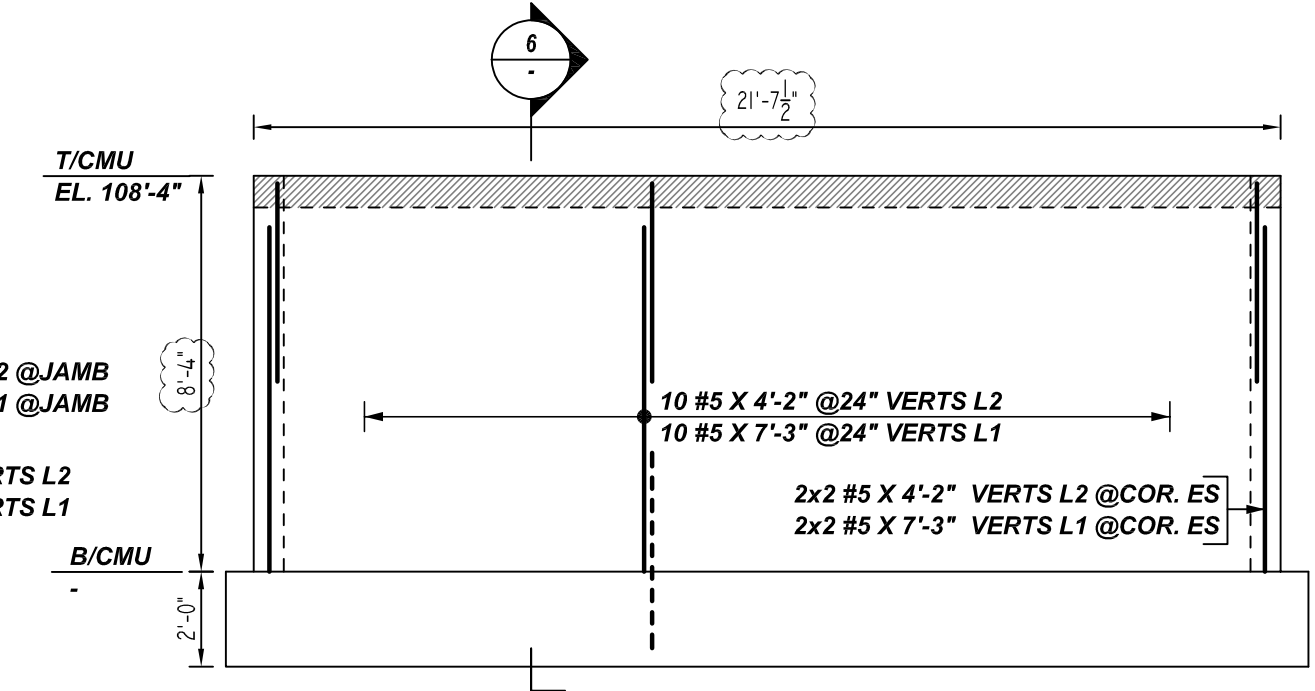
K ELEVATION
 SCALE: 1/4" = 1'-0"
 REF: S4.01, 2/S4.07 & 3, 5/A6.04 (DT.05/20/22)
 A/E PLEASE VERIFY THE ELEVATION PROFILE & BAR ARRANGEMENT (TYP.)



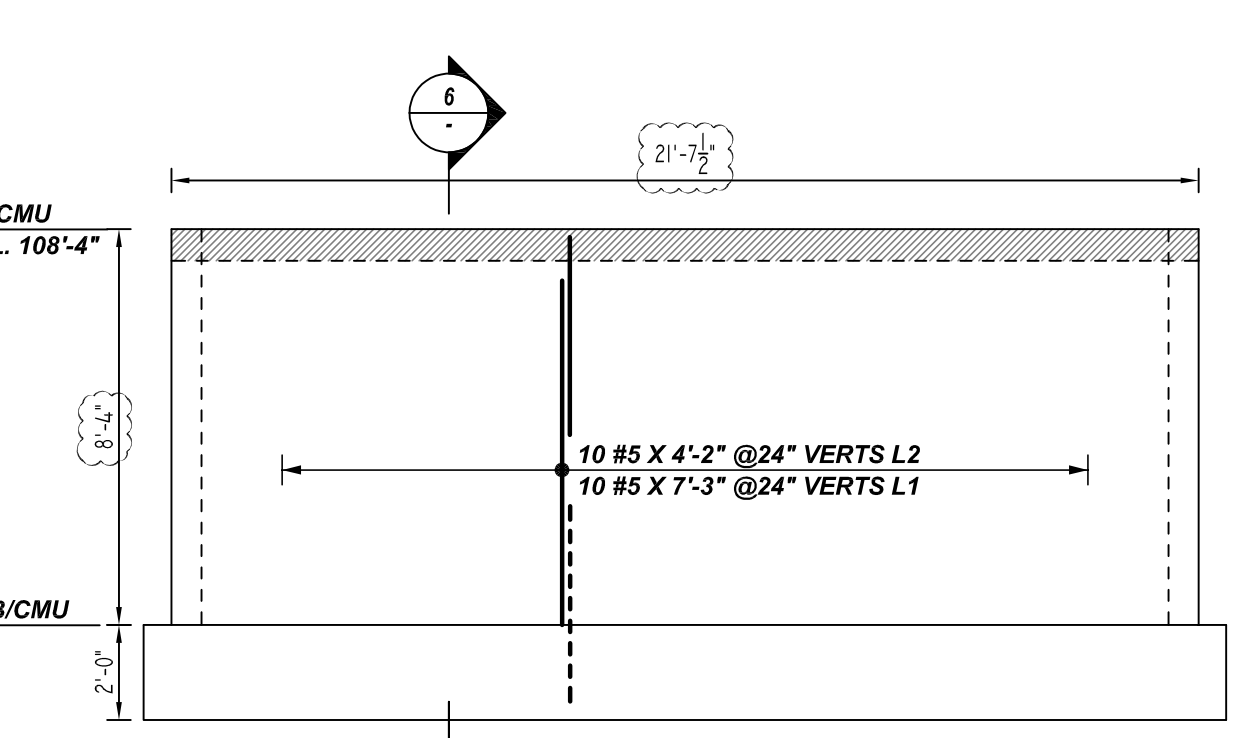
L ELEVATION
 SCALE: 1/4" = 1'-0"
 REF: S4.01, 3/S4.07 & 3, 5/A6.04 (DT.05/20/22)



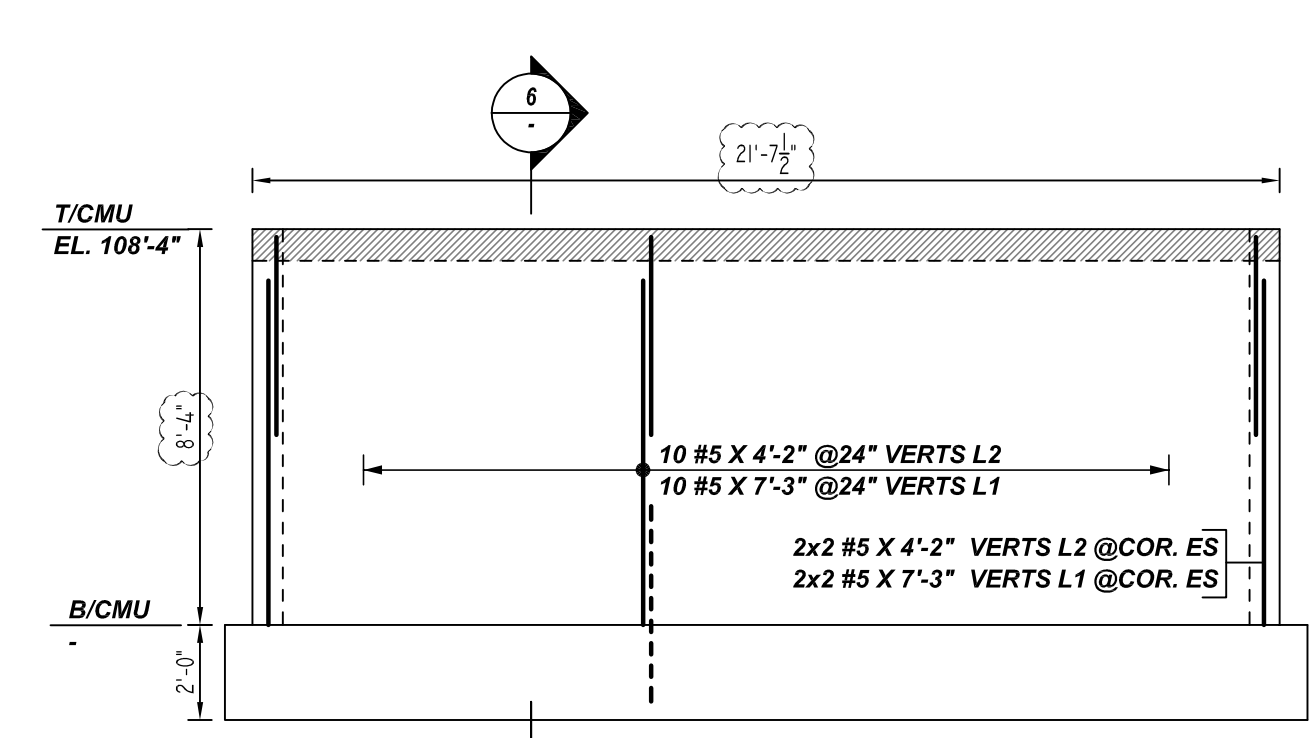
M ELEVATION
 SCALE: 1/2" = 1'-0"
 REF: 3/S3.03, 7/AS2.01 & 12/AS2.02 (DT.07/12/22)



N ELEVATION
 SCALE: 1/2" = 1'-0"
 REF: 3/S3.03, 7/AS2.01 & 11/AS2.02 (DT.07/12/22)

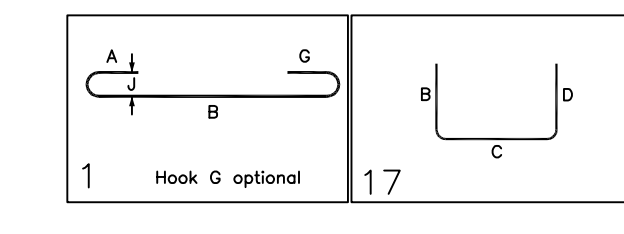


P ELEVATION
 SCALE: 1/2" = 1'-0"
 REF: 3/S3.03, 7/AS2.01 & 11/AS2.02 (DT.07/12/22)



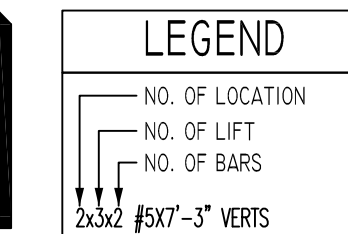
Q ELEVATION
 SCALE: 1/2" = 1'-0"
 REF: 3/S3.03, 7/AS2.01 & 11/AS2.02 (DT.07/12/22)

Bar Mark	Qty	Size	Total Length	Type	X'	Y'	Z'	W'	V'	U'	T'	S'	R'	Q'	P'	O'	N'	M'	L'	K'	J'	I'	H'	G'	F'	E'	D'	C'	B'	A'
4A01	60	#4	4'-8"	1	0'-6"	3'-8"																								
5A01	8	#5	6'-6"	17	3'-3"	3'-3"																								
5A05	120	#5	3'-1 X 17		1'-0 X 1	1'-0 X 1	1'-0 X 1																							



**ALL BARS IN THIS DRAWING
 ASTM A615 GRADE 60
 BLACK UNCOATED**

LOCATION	MIN. COVER
WALL TOP & SIDE	2" CLR



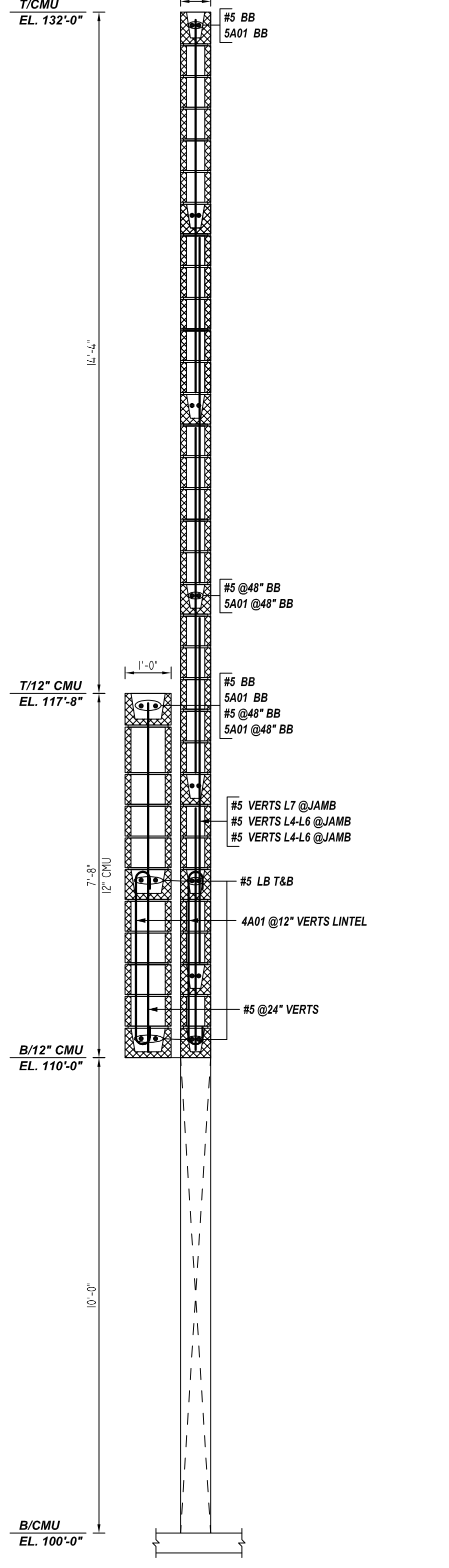
LAP SCHEDULE

BAR#	LENGTHS
#4	2'-0"
#5	3'-3"
#6	7'-0"

TYPICAL CANOPY REINFORCEMENT DETAILS
 SCALE: 1/2" = 1'-0"
 REF: 10, 11/S3.05 & 1, 4/A6.04 (DT.05/20/22)
 (@15 LOCATIONS)



6 ELEVATION
 SCALE: 1/4" = 1'-0"
 REF: 3/S3.03 & 7/AS2.01 (DT.07/12/22)

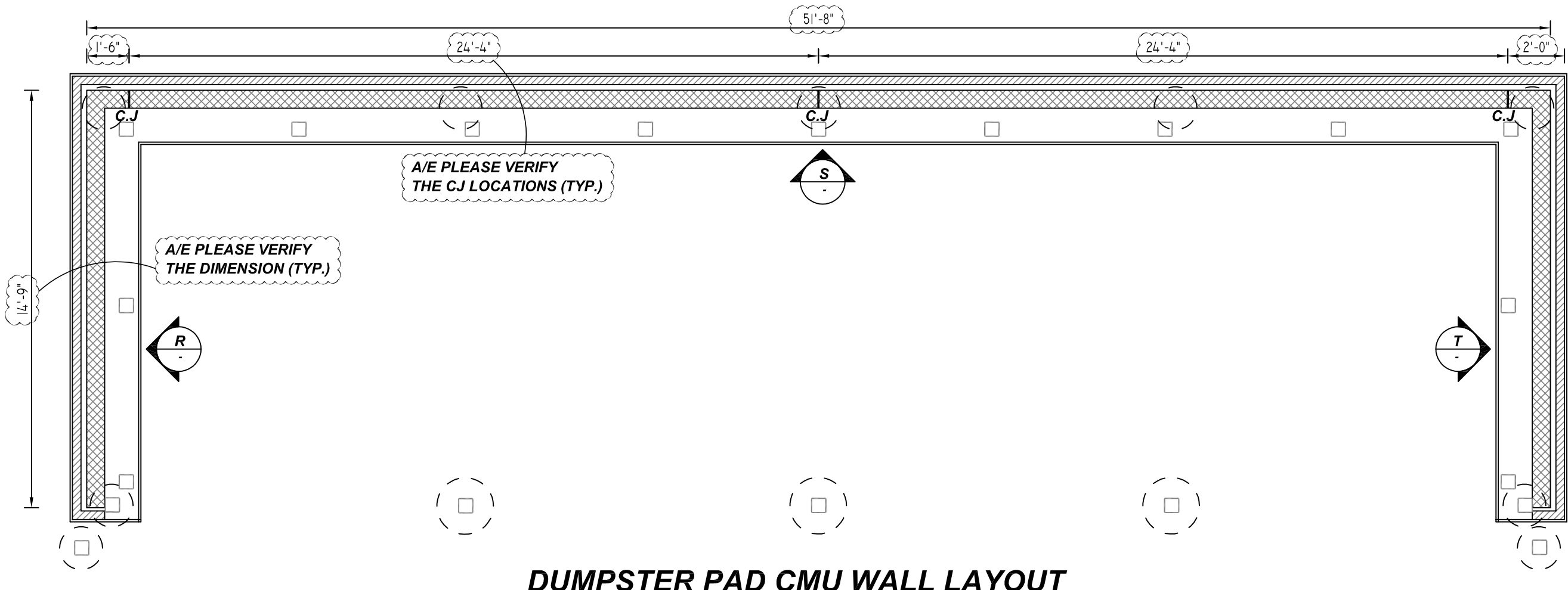


5 SECTION
 SCALE: 1/2" = 1'-0"
 REF: 6/S7.07 & 3, 5/A6.04 (DT.05/20/22)

- PLACING PLAN NOTES**
- THIS DRAWINGS FOR REBAR PLACEMENT ASSISTANCE ONLY, REFER TO STRUCTURAL DETAILS FOR CONTRACT REQUIREMENTS
 - SECTIONS DETAILS DIMENSIONS ON PLACING PLAN ARE FOR REFERENCE AND ARE TO BE USED IN CONJUNCTION WITH CONTRACT DRAWING FOR CRSI MANUAL OF STANDARD PRACTICE
 - REINFORCING STEEL IS DETAILED PER CONTRACT DOCUMENTS ONLY AS SHOWN CODE COMPLIANCE REQUIREMENTS ARE THE RESPONSIBILITY OF ENGINEER AND/OR CONTRACTOR
 - THE CONTRACTOR UNDERSTANDS THAT THE ENGINEER SHOULD ALWAYS VERIFY SHOP DRAWINGS IF TIME DOES NOT ALLOW FOR APPROVALS, TEXAS REBAR IS NOT HELD RESPONSIBLE FOR UNAPPROVED SHOP DRAWINGS USED IN PLACING CRSI MANUAL OF STANDARD PRACTICE THE CUSTOMER AND ENGINEER SHOULD REVIEW SHOP DRAWINGS PRIOR TO INSTALLATION TO VERIFY ACCURACY TO STRUCTURAL DRAWINGS.

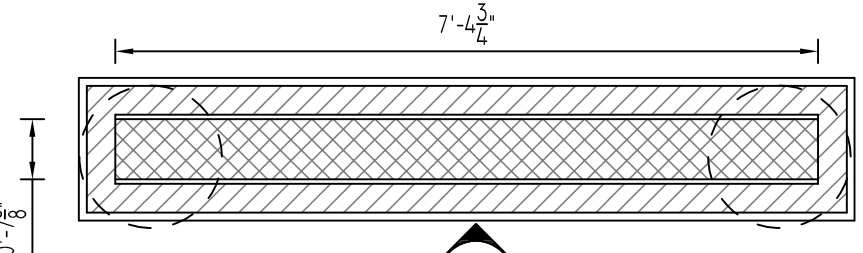
NO.	DATE	DESCRIPTION	BY	CHKD.

JOB NAME: NEW ELEMENTARY SCHOOL #17
 JOB NO: 22102
 DETAILS OF: CMU WALL REINFORCEMENT DETAILS
 DATE: 08-15-22
 DETAILER: SSTR
 DRWG: M05
 TEXAS REBAR, LLC 817-487-1672



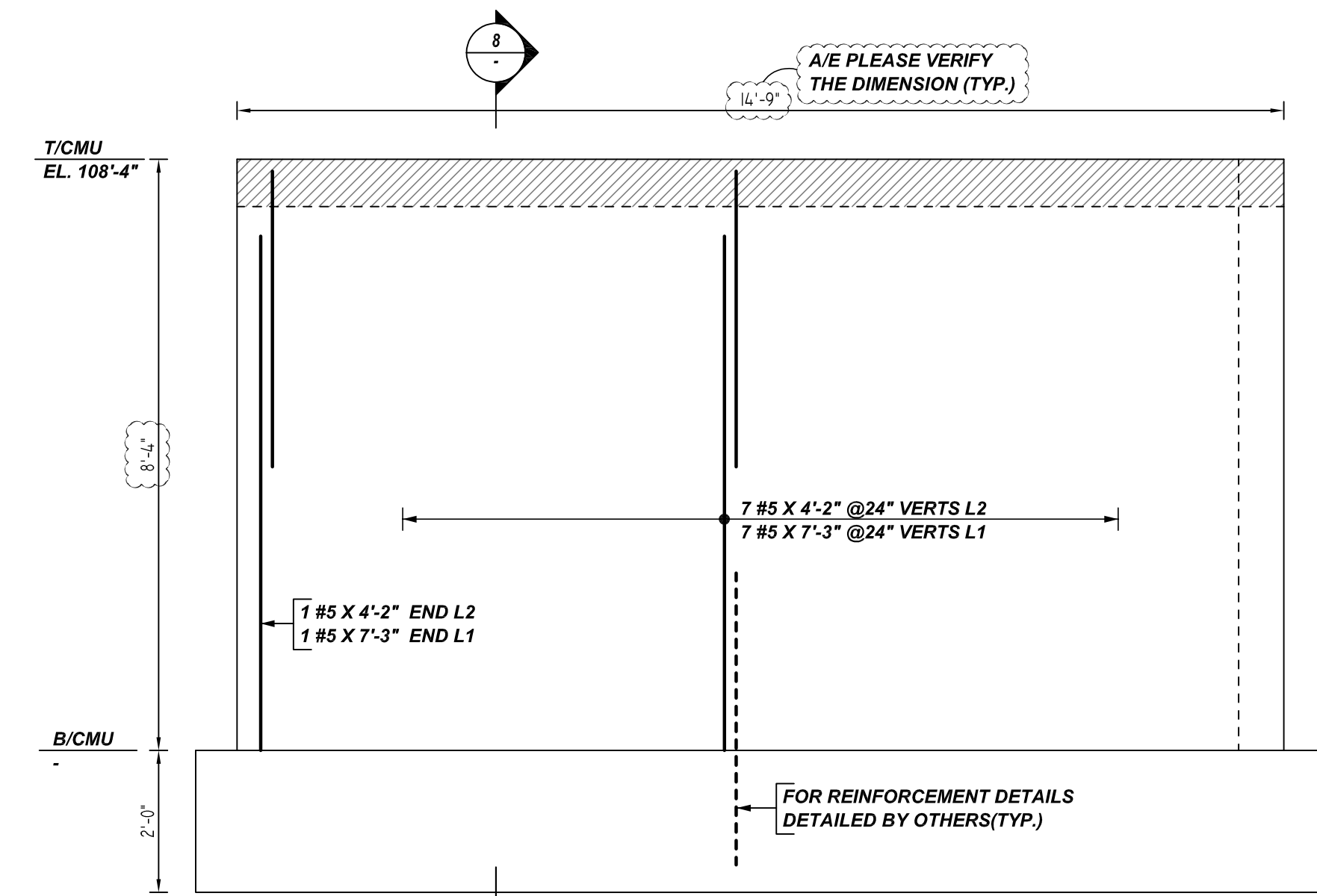
DUMPSTER PAD CMU WALL LAYOUT

SCALE: 1/4" = 1'-0"
REF:1/S3.03 & 1/AS2.01 (DT.07/12/22)



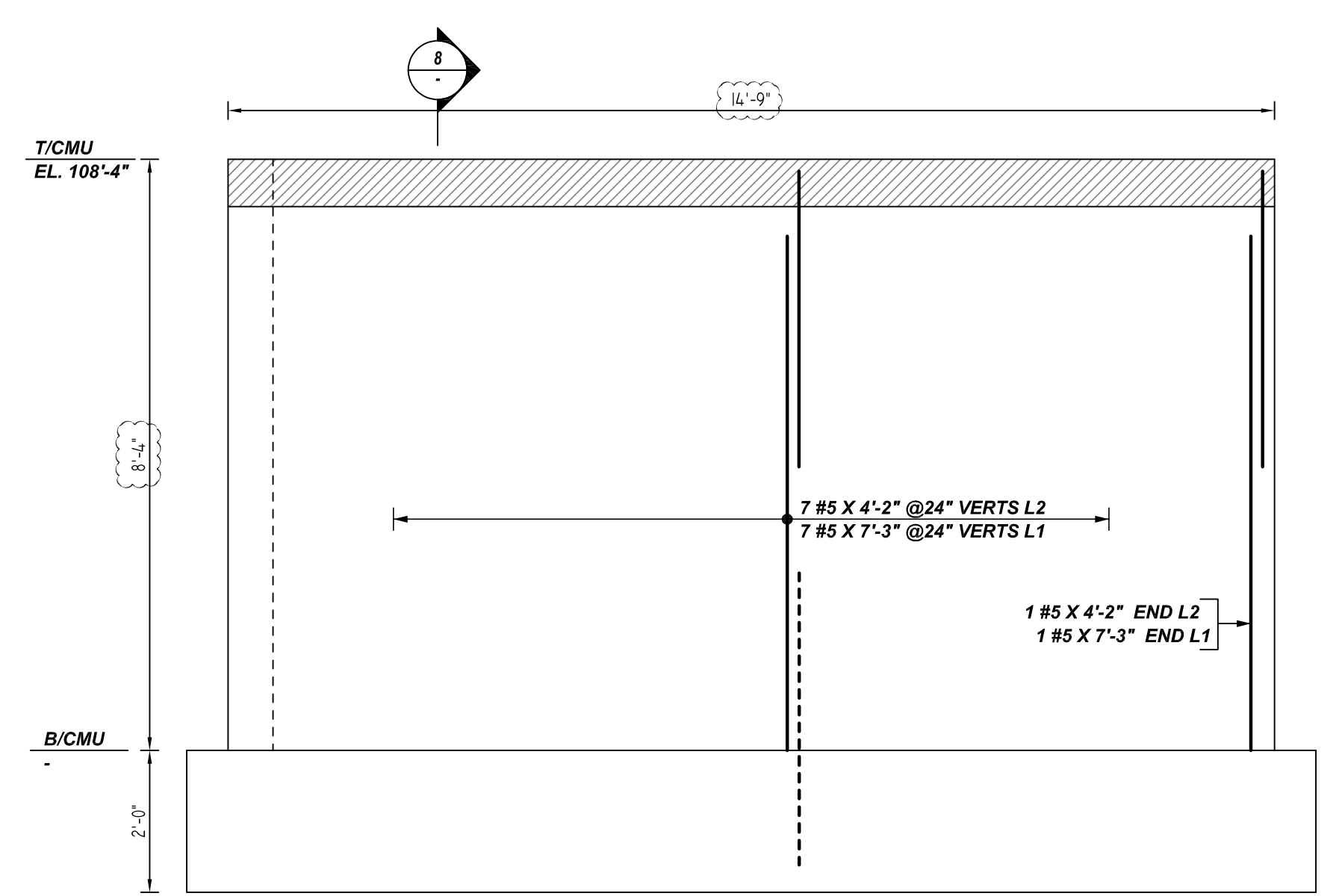
MONUMENT SIGN CMU WALL LAYOUT

SCALE: 1/2" = 1'-0"
REF:3/S3.03 (DT.05/20/22)



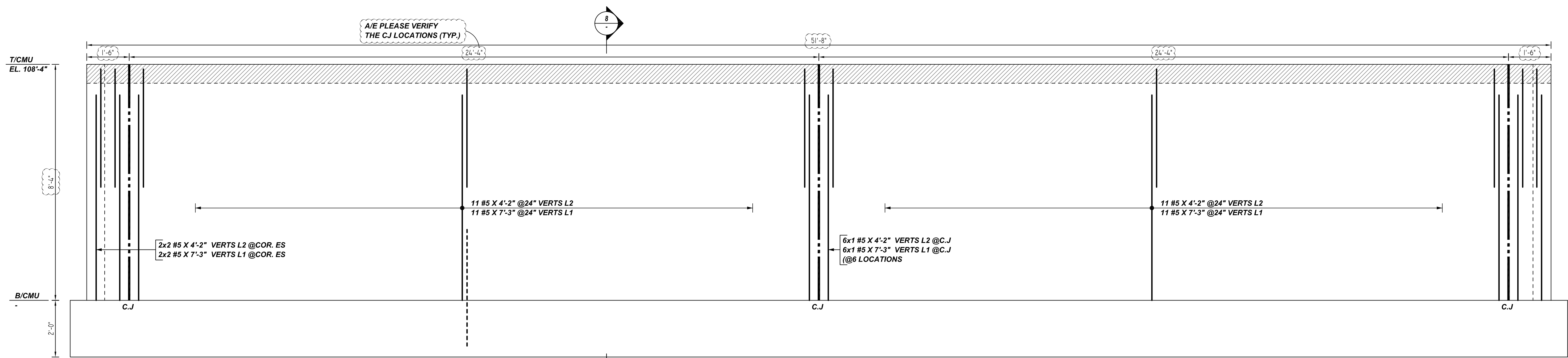
R ELEVATION

SCALE: 1/2" = 1'-0"
REF:3/S3.03 & 7,8/AS2.01(DT.07/12/22)



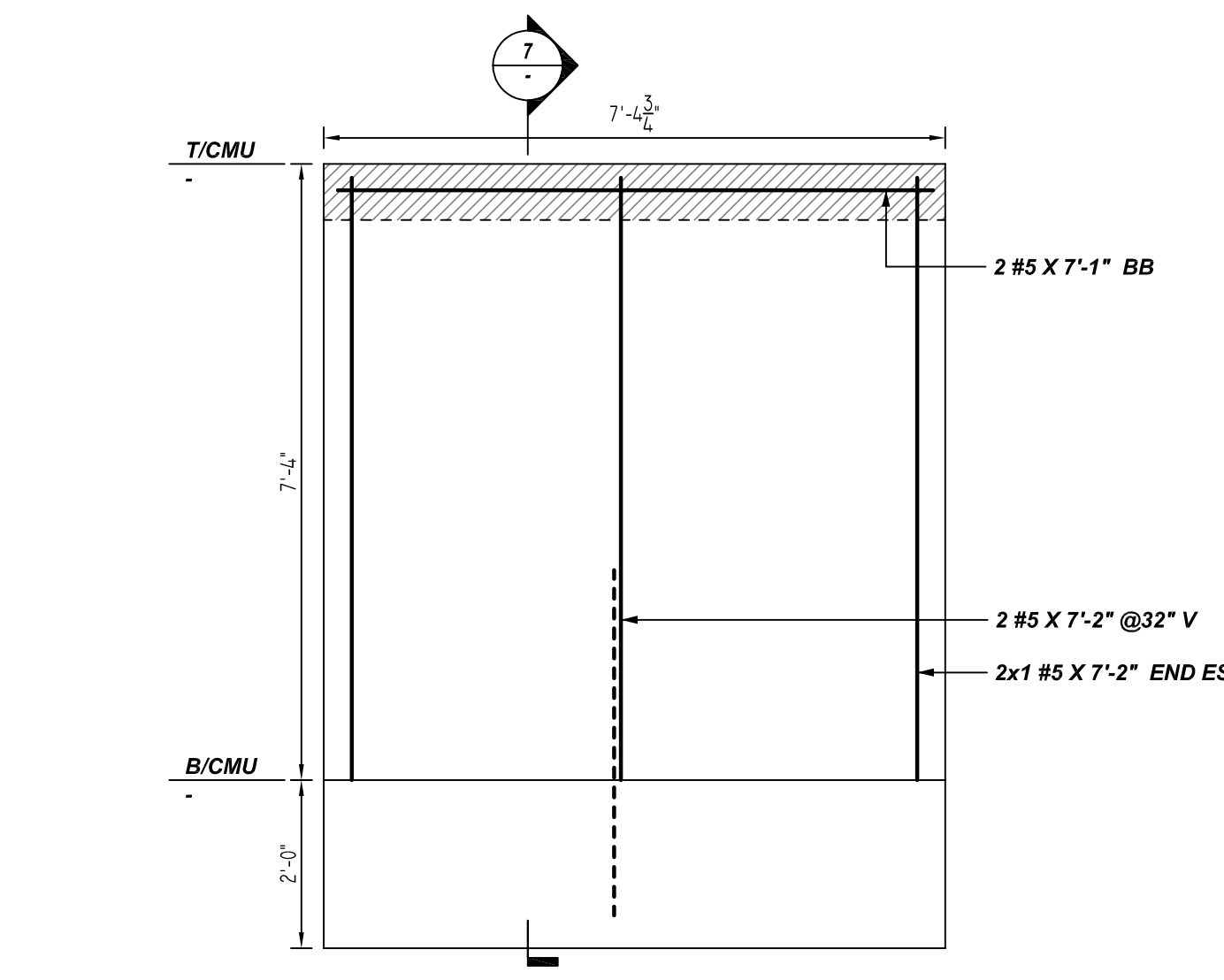
T ELEVATION

SCALE: 1/2" = 1'-0"
REF:3/S3.03 & 7,8/AS2.01(DT.07/12/22)



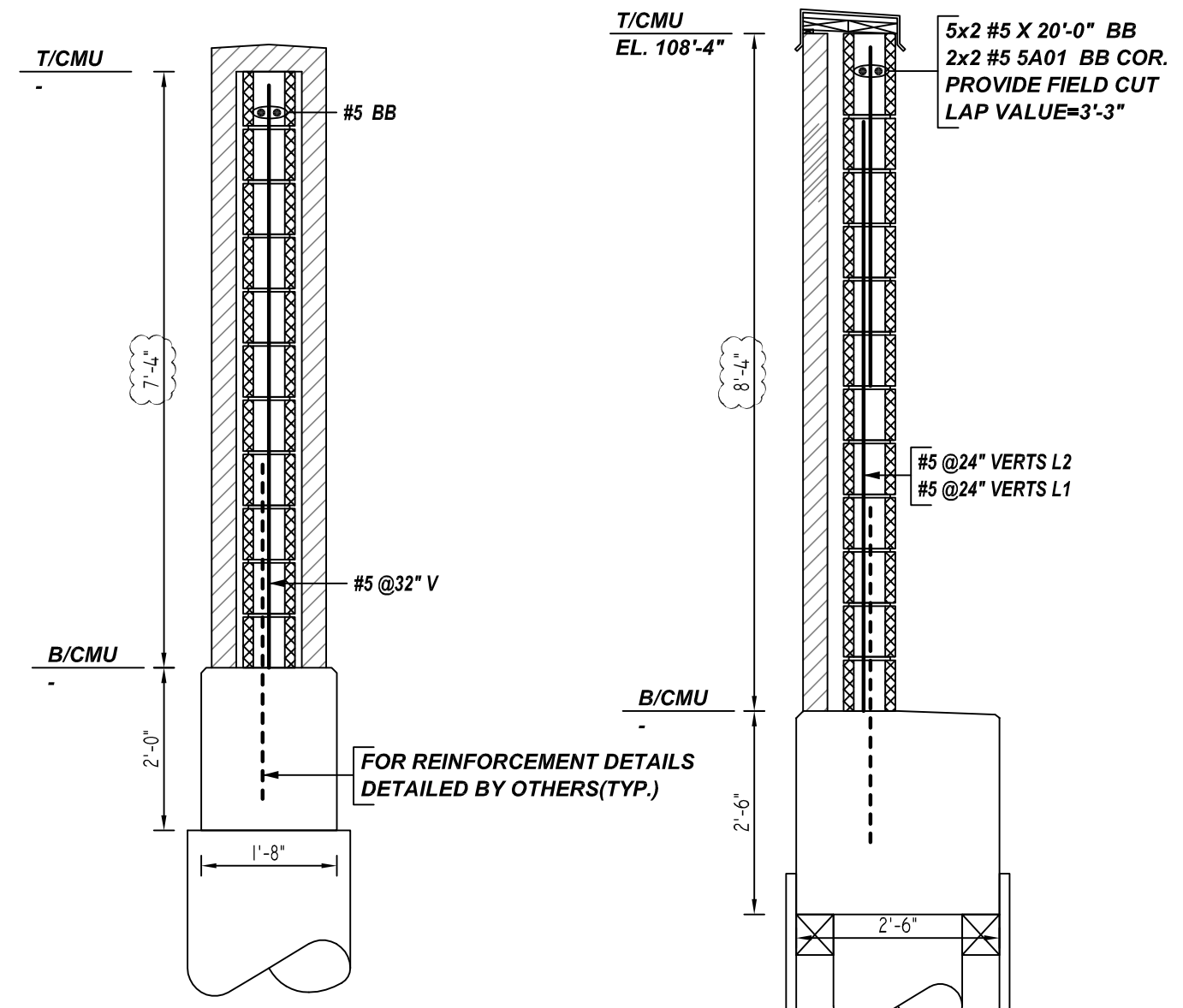
S ELEVATION

SCALE: 1/2" = 1'-0"
REF:3/S3.03 & 6,7/AS2.01(DT.07/12/22)



U ELEVATION

SCALE: 1/2" = 1'-0"
REF:3/S3.03 (DT.05/20/22)



7 ELEVATION

SCALE: 1/4" = 1'-0"
REF:3/S3.03 (DT.05/20/22)

8 ELEVATION

SCALE: 1/4" = 1'-0"
REF:3/S3.03 & 7/AS2.01 (DT.07/12/22)

Release Number: M06

Bar Mark	Qty	Size	Total Length	Type	X	Y	Z	W	V	U	T	S	R	Q	P	O	N	M	L	K	J	I	H	G	F	E	D	C	B	A
S01	4	#5	6'-6"	17																										

**ALL BARS IN THIS DRAWING
ASTM A615 GRADE 60
BLACK UNCOATED**

LEGEND

(Symbol)	NO. OF LOCATION
(Symbol)	NO. OF LIFT
(Symbol)	NO. OF BARS
(Symbol)	NO. OF LIFT (OR) NO. OF LOCATION
(Symbol)	NO. OF BARS
(Symbol)	LIFT 1 TO LIFT 6

LAP SCHEDULE

BAR#	LENGTHS
#4	2'-0"
#5	3'-3"
#6	7'-0"

TYPICAL REINFORCING BAR CLEARANCE TABLE

LOCATION	MIN. COVER
WALL TOP & SIDE	2" CLR

- PLACING PLAN NOTES**
- THIS DRAWINGS FOR REBAR PLACEMENT ASSISTANCE ONLY, REFER TO STRUCTURAL DETAILS FOR CONTRACT REQUIREMENTS
 - SECTIONS/DETAILS/DIMENSIONS ON PLACING PLAN ARE FOR REFERENCE AND ARE TO BE USED IN CONJUNCTION WITH CONTRACT DRAWING FOR CRSI MANUAL OF STANDARD PRACTICE
 - REINFORCING STEEL IS DETAILED PER CONTRACT DOCUMENTS ONLY AS SHOWN CODE COMPLIANCE REQUIREMENTS ARE THE RESPONSIBILITY OF ENGINEER AND/OR CONTRACTOR
 - THE CONTRACTOR UNDERSTANDS THAT THE ENGINEER SHOULD ALWAYS VERIFY SHOP DRAWINGS IF TIME DOES NOT ALLOW FOR APPROVALS, TEXAS REBAR IS NOT HELD RESPONSIBLE FOR UNAPPROVED SHOP DRAWINGS USED IN PLACING CRSI MANUAL OF STANDARD PRACTICE THE CUSTOMER AND ENGINEER SHOULD REVIEW SHOP DRAWINGS PRIOR TO INSTALLATION TO VERIFY ACCURACY TO STRUCTURAL DRAWINGS.
- PLACING PLAN NOTES**
- DIMENSIONS ELEVATIONS & DRAWINGS SCALES SHOWN ARE FOR REFERENCE ONLY CONTRACTOR TO PROVIDE LINES, GRADES & TEMPLATES REQUIRED FOR PLACEMENTS
 - SECTIONS & DETAILS MAY NOT BE SHOWN ON ALL PLACING PLANS. KEEP STRUCTURAL DRAWINGS ON SITE FOR USE
 - SOME LAP LENGTHS WILL BE ROUNDED UP IN DETAILING TO PROVIDE 1" INCREMENTS FOR LAPS.
 - LAP OR EMBEDMENT LENGTHS SHOWN IN SPECIFIC DETAILS WILL SUPPRESS LAPS IN THE LAP SCHEDULE
 - VERIFY PLACEMENT DRAWINGS TO LATEST ISSUE OF JOB RECORD DRAWING FOR POSSIBLE REVISIONS OR FIELD CHANGES.
 - TYPICAL NOTES & DETAILS ARE USED THROUGHOUT ENTIRE PROJECT & APPLY UNLESS NOTED OTHERWISE.

NO.	DATE	DESCRIPTION	BY	CHECKED	DATE	JOB NAME:	JOB NO:	DETAILS OF:	DATE:	DRWG:
1						NEW ELEMENTARY SCHOOL #17	22102	CMU WALL REINFORCEMENT DETAILS	08-15-22	M06
TEXAS REBAR, LLC 817-487-1672										