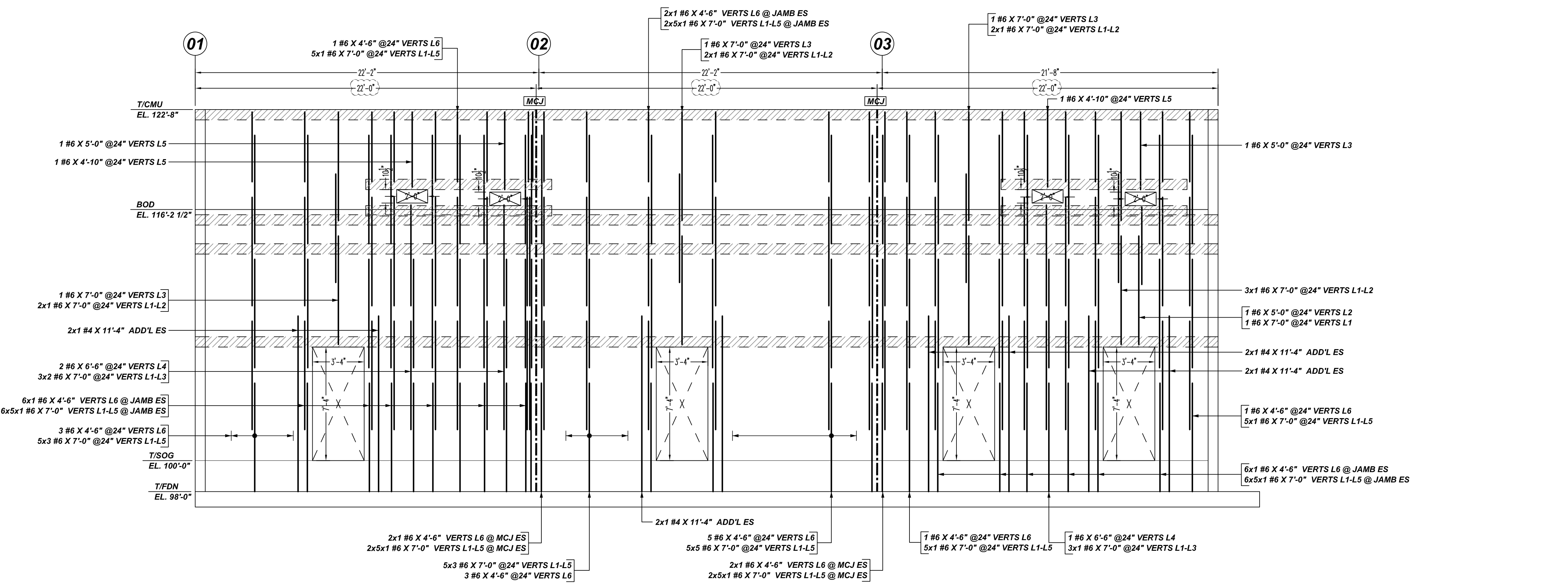


A ELEVATION
REF: S1.04, S2.01, S3.01, S5.02 & A6.03 (DT.04/08/20)
SCALE: 1/4" = 1'-0"



B ELEVATION
REF: S1.04, S2.01, S3.01, S5.02 & A6.03 (DT.04/08/20)
SCALE: 1/4" = 1'-0"

LEGEND

NO. OF LOCATION
NO. OF LIFT
NO. OF BARS

2x5x2 #5x6'-6" VERTS

NO. OF LIFT (OR) NO. OF LOCATION
NO. OF BARS

2x1 #5x6'-6" VERTS

LIFT 1 TO LIFT 6

2x1 #5x6'-6" VERTS L1-L6

LAP SCHEDULE

| BAR# | LENGTHS |
|------|---------|
| #4 | 24" |
| #5 | 30" |
| #6 | 36" |
| #7 | 42" |
| #8 | 48" |
| #9 | 54" |

**ALL BARS IN THIS DRAWING
ASTM A615 GRADE 60
BLACK UNCOATED**

TYPICAL REINFORCING BAR CLEARANCE TABLE

| LOCATION | MIN. COVER |
|-----------------|------------|
| WALL TOP & SIDE | 2" CLR |

- PLACING PLAN NOTES**
- THIS DRAWINGS FOR REBAR PLACEMENT ASSISTANCE ONLY, REFER TO STRUCTURAL DETAILS FOR CONTRACT REQUIREMENTS
 - SECTIONS & DETAILS DIMENSIONS ON PLACING PLAN ARE FOR REFERENCE AND ARE TO BE USED IN CONJUNCTION WITH CONTRACT DRAWING FOR CRSI MANUAL OF STANDARD PRACTICE
 - REINFORCING STEEL IS DETAILED PER CONTRACT DOCUMENTS ONLY AS SHOWN CODE COMPLIANCE REQUIREMENTS ARE THE RESPONSIBILITY OF ENGINEER AND/OR CONTRACTOR
 - THE CONTRACTOR UNDERSTANDS THAT THE ENGINEER SHOULD ALWAYS VERIFY SHOP DRAWINGS IF TIME DOES NOT ALLOW FOR APPROVALS, TEXAS REBAR IS NOT HELD RESPONSIBLE FOR UNAPPROVED SHOP DRAWINGS USED IN PLACING CRSI MANUAL OF STANDARD PRACTICE THE CUSTOMER AND ENGINEER SHOULD REVIEW SHOP DRAWINGS PRIOR TO INSTALLATION TO VERIFY ACCURACY TO STRUCTURAL DRAWINGS.
- PLACING PLAN NOTES**
- DIMENSIONS ELEVATIONS & DRAWINGS SCALES SHOWN ARE FOR REFERENCE ONLY CONTRACTOR TO PROVIDE LINES, GRADES & TEMPLATES REQUIRED FOR PLACEMENTS
 - SECTIONS & DETAILS MAY NOT BE SHOWN ON ALL PLACING PLANS. KEEP STRUCTURAL DRAWINGS ON SITE FOR USE
 - SOME LAP LENGTHS WILL BE ROUNDED UP IN DETAILING TO PROVIDE FOR 1" INCREMENTS FOR LAPS
 - LAP OR EMBEDMENT LENGTHS SHOWN IN SPECIFIC DETAILS WILL SUPPRESS LAPS ON THE LAP SCHEDULE
 - VERIFY PLACEMENT DRAWINGS TO LATEST ISSUE OF JOB RECORD DRAWING FOR POSSIBLE REVISIONS OR FIELD CHANGES
 - TYPICAL NOTES & DETAILS ARE USED THROUGHOUT ENTIRE PROJECT & APPLY UNLESS NOTED OTHERWISE

| REVISION | NO. | DATE | DESCRIPTION | MADE BY | DATE | CHECKED BY | DATE |
|----------|-----|------|-------------|---------|------|------------|------|
| | | | | | | | |
| | 0 | | | | | | |
| | 1 | | | | | | |
| | 2 | | | | | | |
| | 3 | | | | | | |
| | 4 | | | | | | |

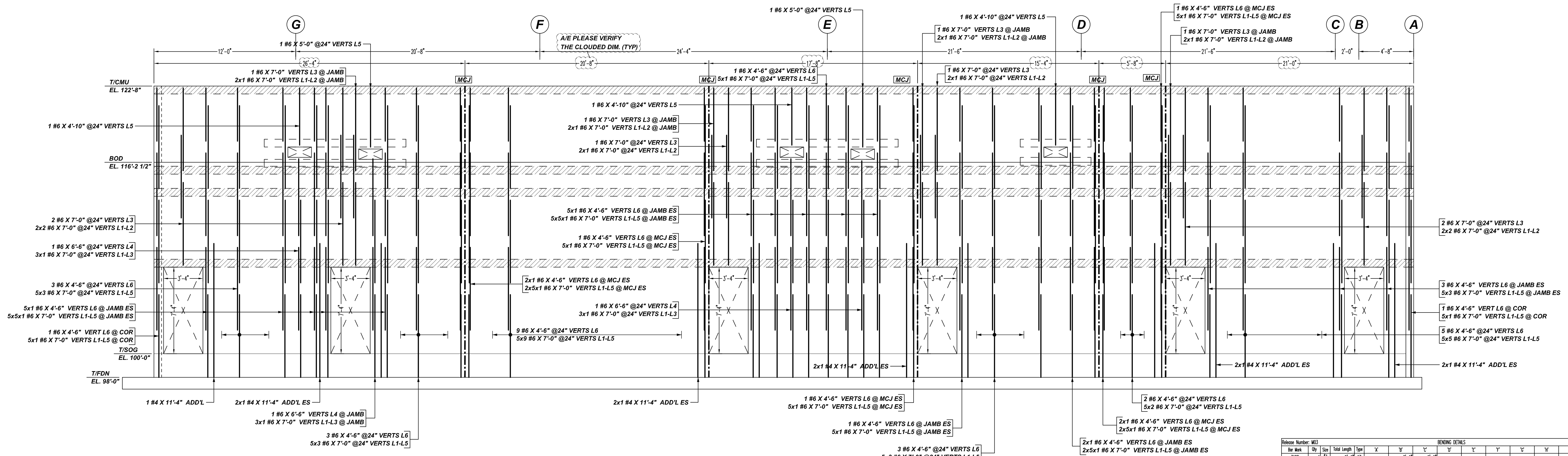
JOB NAME: WESTFORK CROSSING LOT 7

JOB NO: 22106

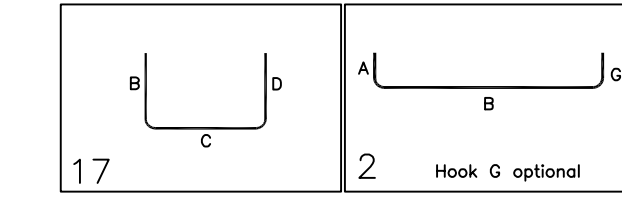
DETAILS OF: CMU WALL REINFORCEMENT DETAILS DATE: 08-15-22

DETAILER: SSTR DRWG: M02

TEXAS REBAR, LLC 817-487-1672



| Bar Mark | Qty | Size | Total Length | Type | X | Y | Z | W | V | U | T | S | R | Q | P | O | N | M | L | K | J | I | H | G | F | E | D | C | B | A |
|----------|-----|------|--------------|------|-------|--------|---|---|---|---|---|---|---|---|---|---|---|---|---|---|---|---|---|---|---|---|---|---|---|---|
| 3A02 | 4 | #3 | 5'-6" | 17 | | | | | | | | | | | | | | | | | | | | | | | | | | |
| 3A04 | 8 | #6 | 12'-8" | 2 | 1'-0" | 11'-8" | | | | | | | | | | | | | | | | | | | | | | | | |



LEGEND

- NO. OF LOCATION
- NO. OF LIFT
- NO. OF BARS
- NO. OF LIFT (COR)
- NO. OF LOCATION
- NO. OF BARS
- LIFT 1 TO LIFT 6
- 2x1 #5x6'-6" VERTS L1-L6

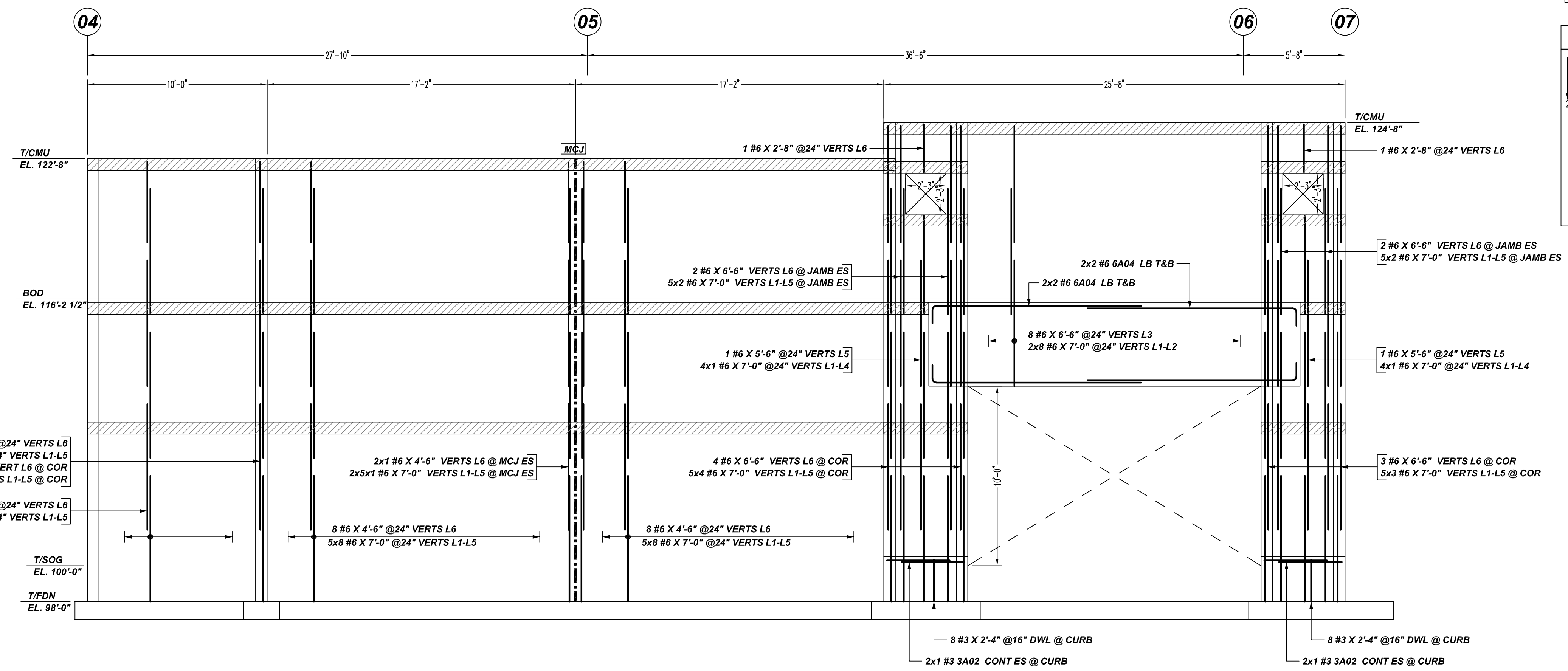
LAP SCHEDULE

| BAR# | LENGTHS |
|------|---------|
| #4 | 24" |
| #5 | 30" |
| #6 | 36" |
| #7 | 42" |
| #8 | 48" |
| #9 | 54" |

**ALL BARS IN THIS DRAWING
 ASTM A615 GRADE 60
 BLACK UNCOATED**

TYPICAL REINFORCING BAR CLEARANCE TABLE

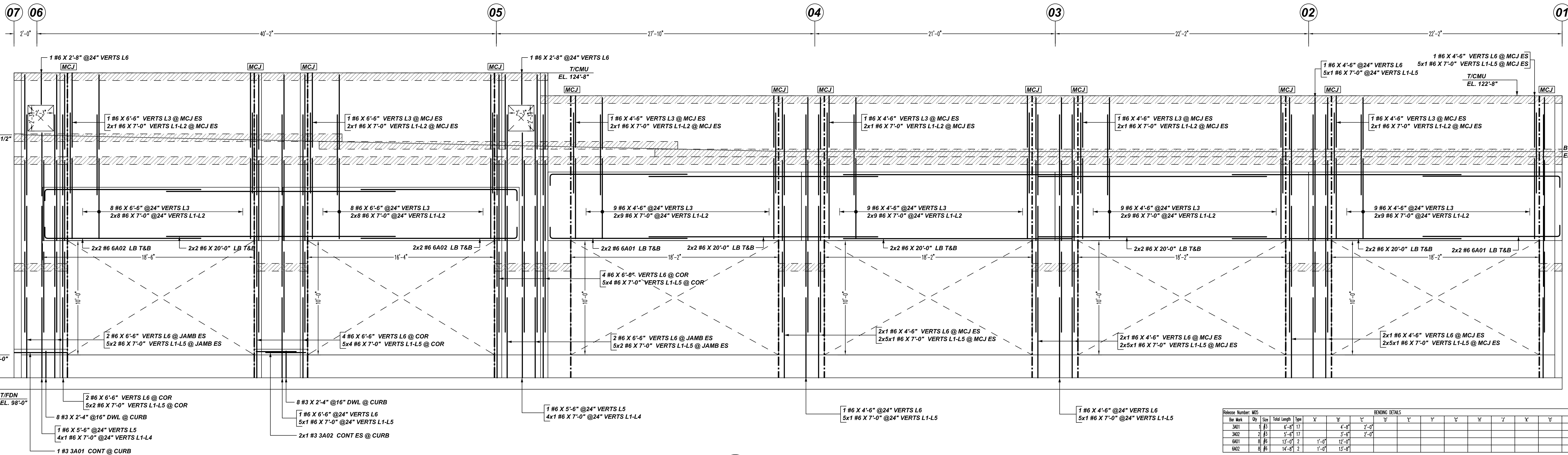
| LOCATION | MIN. COVER |
|-----------------|------------|
| WALL TOP & SIDE | 2" CLR |



- PLACING PLAN NOTES**
- THIS DRAWINGS FOR REBAR PLACEMENT ASSISTANCE ONLY. REFER TO STRUCTURAL DETAILS FOR CONTRACT REQUIREMENTS
 - SECTIONS/DETAILS/DIMENSIONS ON PLACING PLAN ARE FOR REFERENCE AND ARE TO BE USED IN CONJUNCTION WITH CONTRACT DRAWING FOR CRSI MANUAL OF STANDARD PRACTICE
 - REINFORCING STEEL IS DETAILED PER CONTRACT DOCUMENTS ONLY AS SHOWN CODE COMPLIANCE REQUIREMENTS ARE THE RESPONSIBILITY OF ENGINEER AND/OR CONTRACTOR.
 - THE CONTRACTOR UNDERSTANDS THAT THE ENGINEER SHOULD ALWAYS VERIFY SHOP DRAWINGS IF TIME DOES NOT ALLOW FOR APPROVALS. TEXAS REBAR IS NOT HELD RESPONSIBLE FOR UNAPPROVED SHOP DRAWINGS USED IN PLACING CRSI MANUAL OF STANDARD PRACTICE THE CUSTOMER AND ENGINEER SHOULD REVIEW SHOP DRAWINGS PRIOR TO INSTALLATION TO VERIFY ACCURACY TO STRUCTURAL DRAWINGS.
- PLACING PLAN NOTES**
- DIMENSIONS ELEVATIONS & DRAWINGS SCALES SHOWN ARE FOR REFERENCE ONLY CONTRACTOR TO PROVIDE LINES, GRADES & TEMPLATES REQUIRED FOR PLACEMENTS
 - SECTIONS & DETAILS MAY NOT BE SHOWN ON ALL PLACING PLANS. KEEP STRUCTURAL DRAWINGS ON SITE FOR USE
 - SOME LAP LENGTHS WILL BE ROUNDED UP IN DETAILING TO PROVIDE FOR 1" INCREMENTS FOR LAPS
 - LAP OR EMBEDMENT LENGTHS SHOWN IN SPECIFIC DETAILS WILL SUPPRESS LAPS IN THE LAP SCHEDULE
 - VERIFY PLACEMENT DRAWINGS TO LATEST ISSUE OF JOB RECORD DRAWING FOR POSSIBLE REVISIONS OR FIELD CHANGES
 - TYPICAL NOTES & DETAILS ARE USED THROUGHOUT ENTIRE PROJECT & APPLY UNLESS NOTED OTHERWISE.

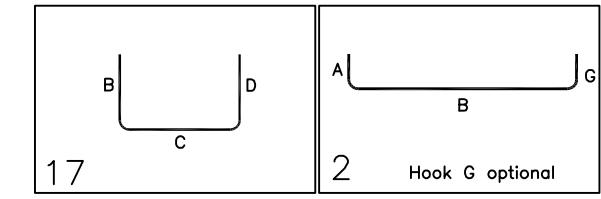
| REVISION | NO. | DATE | DESCRIPTION |
|--------------|-----|------|-------------|
| FOR APPROVAL | 1 | | |
| | 2 | | |
| | 3 | | |
| | 4 | | |

JOB NAME: WESTFORK CROSSING LOT 7
 JOB NO: 22106
 DETAILS OF: CMU WALL REINFORCEMENT DETAILS DATE: 08-15-22
 DETAILER: SSTR DRWG: M03
 TEXAS REBAR, LLC 817-487-1672



F ELEVATION
 REF: S1.04, S2.01, S3.01, S5.02 & A6.03 (DT.04/08/20)
 SCALE: 1/4" = 1'-0"

| Bar No. | Qty | Size | Total Length | X | Y | Z | BENDING DETAILS | | | | | | | | | | | | | | |
|---------|-----|------|--------------|----|---|---|-----------------|--------|--|--|--|--|--|--|--|--|--|--|--|--|--|
| 3A01 | 2 | #3 | 6'-8" | 17 | | | 4'-8" | 2'-0" | | | | | | | | | | | | | |
| 3A02 | 2 | #3 | 5'-8" | 17 | | | 3'-8" | 2'-0" | | | | | | | | | | | | | |
| 6A01 | 8 | #6 | 13'-0" | 2 | | | 1'-0" | 12'-0" | | | | | | | | | | | | | |
| 6A02 | 8 | #6 | 14'-8" | 2 | | | 1'-0" | 13'-8" | | | | | | | | | | | | | |



LEGEND

- NO. OF LOCATION
- NO. OF LIFT
- NO. OF BARS
- NO. OF LIFT (OR) NO. OF LOCATION
- NO. OF BARS
- LIFT 1 TO LIFT 6
- 2x1 #5x6'-6" VERTS L1-L6

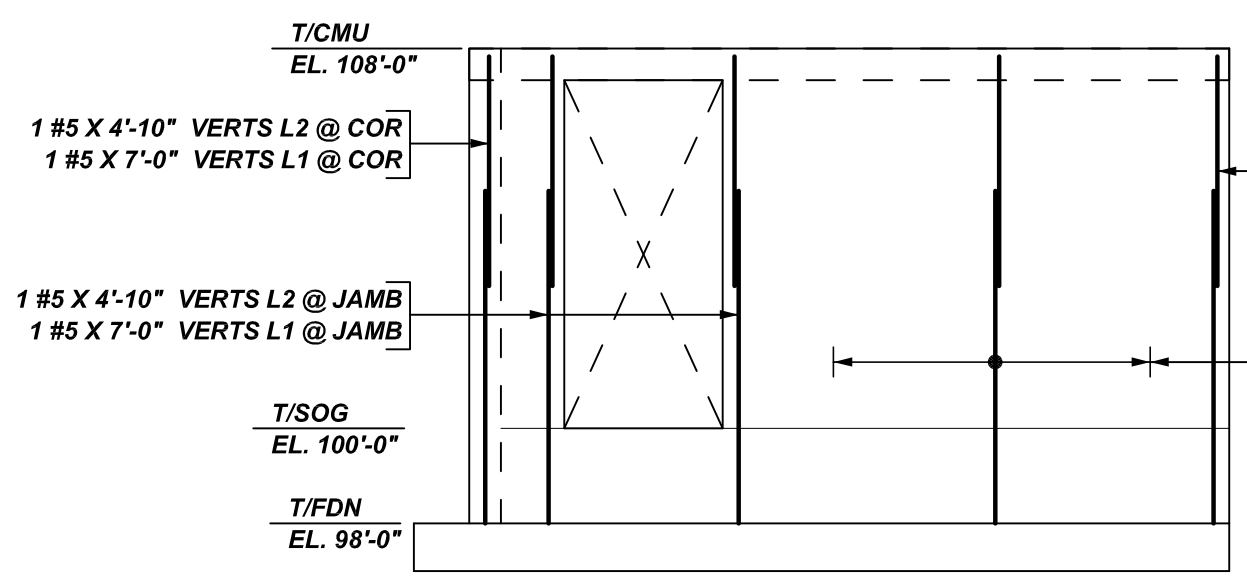
LAP SCHEDULE

| BAR | LENGTHS |
|-----|---------|
| #4 | 24" |
| #5 | 30" |
| #6 | 36" |
| #7 | 42" |
| #8 | 48" |
| #9 | 54" |

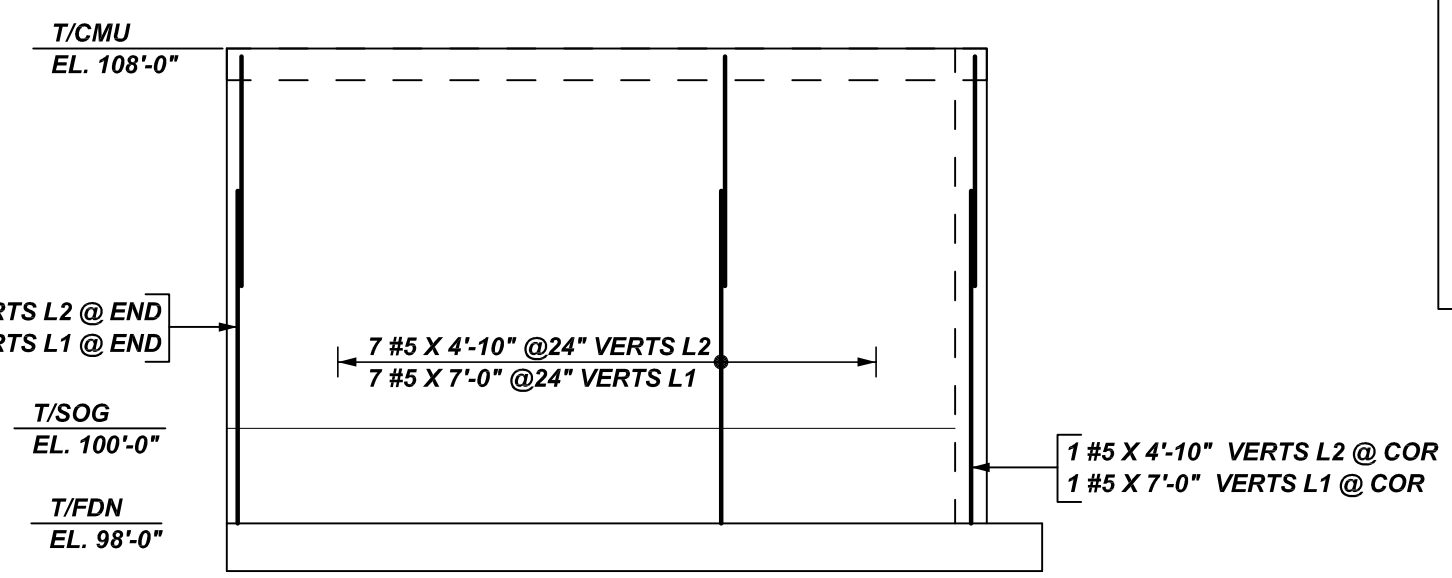
**ALL BARS IN THIS DRAWING
 ASTM A615 GRADE 60
 BLACK UNCOATED**

TYPICAL REINFORCING BAR CLEARANCE TABLE

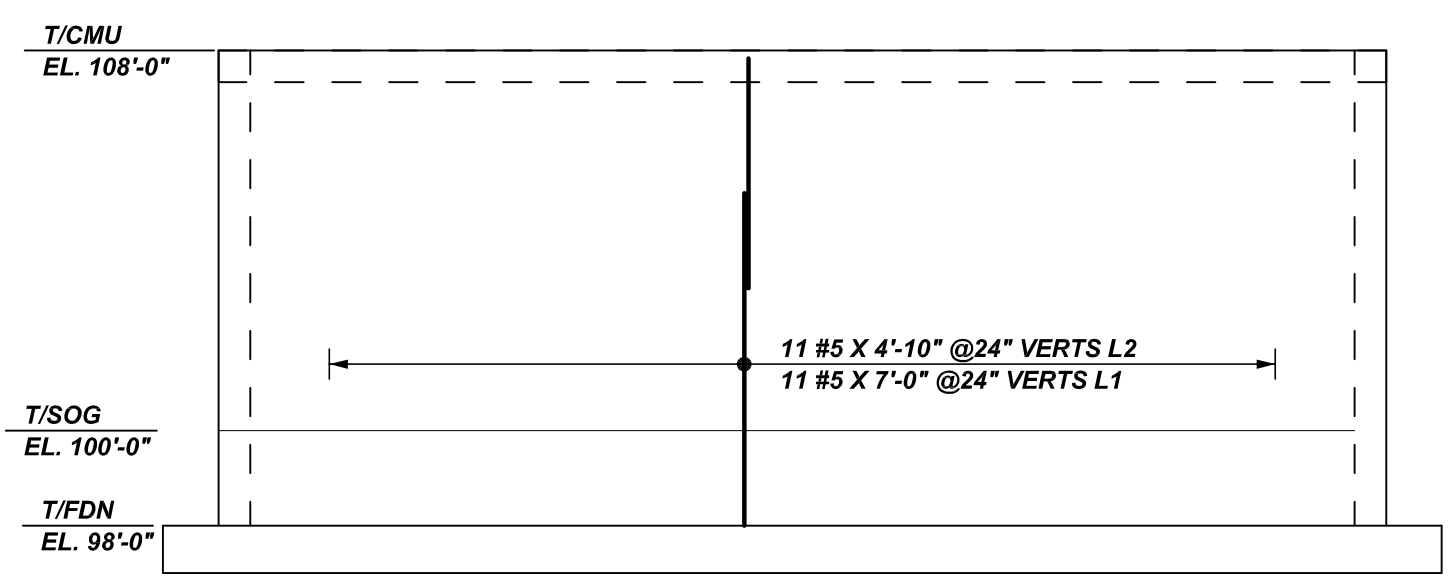
| LOCATION | MIN. COVER |
|-----------------|------------|
| WALL TOP & SIDE | 2" CLR |



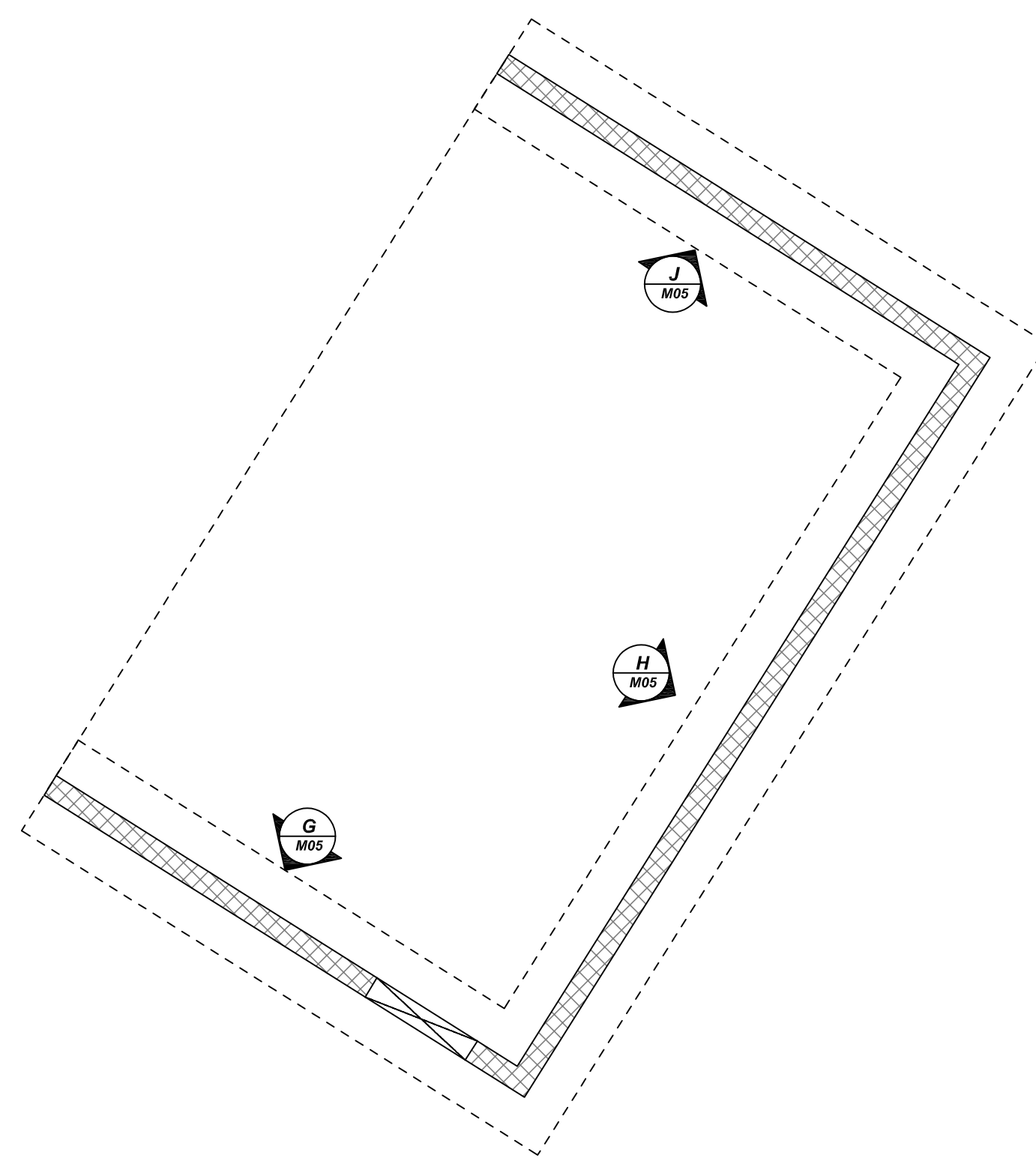
G ELEVATION
 REF: S1.03, S2.01 & A2.03 (DT.04/08/20)
 SCALE: 1/4" = 1'-0"



J ELEVATION
 REF: S1.03, S2.01 & A2.03 (DT.04/08/20)
 SCALE: 1/4" = 1'-0"



H ELEVATION
 REF: S1.03, S2.01 & A2.03 (DT.04/08/20)
 SCALE: 1/4" = 1'-0"



DUMPSTER CMU WALL LAYOUT
 REF: S1.03, S2.01, S3.01 & A2.03 (DT.04/08/20)
 SCALE: 1/4" = 1'-0"

- PLACING PLAN NOTES**
- THIS DRAWINGS FOR REBAR PLACEMENT ASSISTANCE ONLY, REFER TO STRUCTURAL DETAILS FOR CONTRACT REQUIREMENTS
 - SECTIONS/DETAILS DIMENSIONS ON PLACING PLAN ARE FOR REFERENCE AND ARE TO BE USED IN CONJUNCTION WITH CONTRACT DRAWING FOR CRSI MANUAL OF STANDARD PRACTICE
 - REINFORCING STEEL IS DETAILED PER CONTRACT DOCUMENTS ONLY AS SHOWN CODE COMPLIANCE REQUIREMENTS ARE THE RESPONSIBILITY OF ENGINEER AND/OR CONTRACTOR
 - THE CONTRACTOR UNDERSTANDS THAT THE ENGINEER SHOULD ALWAYS VERIFY SHOP DRAWINGS IF TIME DOES NOT ALLOW FOR APPROVALS, TEXAS REBAR IS NOT HELD RESPONSIBLE FOR UNAPPROVED SHOP DRAWINGS USED IN PLACING CRSI MANUAL OF STANDARD PRACTICE THE CUSTOMER AND ENGINEER SHOULD REVIEW SHOP DRAWINGS PRIOR TO INSTALLATION TO VERIFY ACCURACY TO STRUCTURAL DRAWINGS.
- PLACING PLAN NOTES**
- DIMENSIONS ELEVATIONS & DRAWINGS SCALES SHOWN ARE FOR REFERENCE ONLY CONTRACTOR TO PROVIDE LINES, GRADES & TEMPLATES REQUIRED FOR PLACEMENTS
 - SECTIONS & DETAILS MAY NOT BE SHOWN ON ALL PLACING PLANS. KEEP STRUCTURAL DRAWINGS ON SITE FOR USE
 - SOME LAP LENGTHS WILL BE ROUNDED UP IN DETAILING TO PROVIDE FOR 1" INCREMENTS FOR LAPS
 - LAP OR EMBEDMENT LENGTHS SHOWN IN SPECIFIC DETAILS WILL SUPPRESS LAPS IN THE LAP SCHEDULE
 - VERIFY PLACEMENT DRAWINGS TO LATEST ISSUE OF JOB RECORD DRAWING FOR POSSIBLE REVISIONS OR FIELD CHANGES
 - TYPICAL NOTES & DETAILS ARE USED THROUGHOUT ENTIRE PROJECT & APPLY UNLESS NOTED OTHERWISE

| NO. | DATE | DESCRIPTION | BY | CHKD. |
|-----|------|-------------|----|-------|
| | | | | |
| | | | | |
| | | | | |

JOB NAME: WESTFORK CROSSING LOT 7
 JOB NO: 22106
 DETAILS OF: CMU WALL REINFORCEMENT DETAILS DATE: 08-15-22
 DETAILER: SSTR DRWG: M05
 TEXAS REBAR, LLC 817-487-1672

A/E PLEASE VERIFY NORTH DIRECTION