

1 DETAIL
REF: S-210(DT.06/29/22)
SCALE: 1/2" = 1'-0"

LAP SCHEDULE
4000 PSI (CLASS-B) CASE - 1
Per ACI :318 (12.2.2) EPOXY

BAR#	LENGTHS	
	TOP	OTHERS
#3	24"	18"
#4	32"	25"
#5	40"	31"
#6	48"	37"
#7	70"	54"

ALL TOP BARS ARE DEFINED AS HORIZONTAL BARS WITH MORE THAN 12" OF CONCRETE BELOW BARS.

TYPICAL REINFORCING BAR CLEARANCE TABLE

LOCATION	MIN. COVER
GRADE BEAM SIDE & BOTTOM	3" CLR
GRADE BEAM TOP	2" CLR

ALL BARS IN THIS DRAWING
ASTM A615 GRADE 60
BLACK UNCOATED

FOUNDATION REINFORCEMENT DETAILS

REF: S-210(DT.06/29/22)
SCALE: 1/10" = 1'-0"

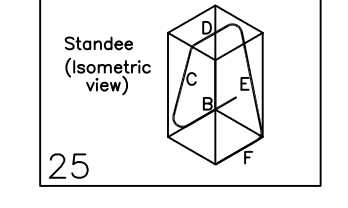
FOOTING SCHEDULE

FTG MARK	SIZE	QTY	GRID LOCATIONS	T/FTG ELEVATION	REINFORCING			REMARKS
					BOTTOM	TOP	STANDEES	
F3.0	3'-0"X3'-0"X1'-10"	4	NEAR GRID B.5-3, B.5-2, F.6-0.3 & F.6-0.2	99'-4"	4x2x5 #5 X 2'-6" EW	4x2x5 #5 X 2'-6" EW	4x4 #4 4A06 @48" STANDEES	
F4.0	4'-0"X4'-0"X1'-10"	7	GRID C-6, D-6, E-6, F-6, G-6, H-6 & J-6	98'-0"	7x2x6 #5 X 3'-6" EW	7x2x6 #5 X 3'-6" EW	17x4 #4 4A06 @48" STANDEES	
F4.5	4'-6"X4'-6"X1'-10"	6	GRID H-5, J-5, NEAR J-5, K-5, K-4 & IN GRID 4-B/W GRID J&K	98'-0"	6x2x7 #5 X 4'-0" EW	6x2x7 #5 X 4'-0" EW	22x4 #4 4A06 @48" STANDEES	
F4.5	4'-6"X4'-6"X1'-10"	16	GRID A-5, B-5, C-5, D-5, E-5, F-5, G-5, NEAR J-4, J-2, C-1, D-1, E-1, F-1, F.6-1, G.7-1 & H-1	99'-4"	16x2x7 #5 X 4'-0" EW	16x2x7 #5 X 4'-0" EW	22x4 #4 4A03 @48" STANDEES	
F5.0	5'-0"X5'-0"X1'-10"	1	IN GRID 5-B/W GRID B&C	99'-4"	2x5 #5 X 4'-6" EW	2x5 #5 X 4'-6" EW	4 #4 4A06 @48" STANDEES	
F5.5	5'-6"X5'-6"X1'-10"	18	GRID C-4, D-4, E-4, F-4, G-4, H-4, D-3, E-3, F-3, G-3, J-3, C-2, D-2, E-2, F-2, G-2, IN GRID 2-B/W GRID G&H & IN GRID 2-B/W GRID H&J	99'-4"	18x2x6 #6 X 5'-0" EW	19x2x6 #6 X 5'-0" EW	19x4 #4 4A03 @48" STANDEES	
F6.0XF5.0					REFER DETAIL -1/R01			
F7.0	7'-0"X7'-0"X1'-10"	1	GRID J-4	99'-4"	2x8 #6 X 6'-6" EW	2x8 #6 X 6'-6" EW	4 #4 4A03 @48" STANDEES	
F7.0	8'-0"X8'-0"X1'-10"	2	IN GRID C-B/W 2&3, IN GRID J-B/W 3&4	99'-4"	2x2x9 #6 X 7'-6" EW	2x2x9 #6 X 7'-6" EW	2x4 #4 4A03 @48" STANDEES	

- PLACING PLAN NOTES**
- THIS DRAWINGS FOR REBAR PLACEMENT ASSISTANCE ONLY, REFER TO STRUCTURAL DETAILS FOR CONTRACT REQUIREMENTS
 - SECTIONS/DETAILS/DIMENSIONS ON PLACING PLAN ARE FOR REFERENCE AND ARE TO BE USED IN CONJUNCTION WITH CONTRACT DRAWINGS FOR CRSI MANUAL OF STANDARD PRACTICE
 - REINFORCING STEEL IS DETAILED PER CONTRACT DRAWINGS ONLY AS SHOWN CODE COMPLIANCE REQUIREMENTS ARE THE RESPONSIBILITY OF ENGINEER AND/OR CONTRACTOR
 - THE CONTRACTOR UNDERSTANDS THAT THE ENGINEER SHOULD ALWAYS VERIFY SHOP DRAWINGS IF TIME DOES NOT ALLOW FOR APPROVALS, TEXAS REBAR IS NOT HELD RESPONSIBLE FOR UNAPPROVED SHOP DRAWINGS USED IN PLACING CRSI MANUAL OF STANDARD PRACTICE, THE CUSTOMER AND ENGINEER SHOULD REVIEW SHOP DRAWINGS PRIOR TO INSTALLATION TO VERIFY ACCURACY TO STRUCTURAL DRAWINGS.
- PLACING PLAN NOTES**
- DIMENSIONS ELEVATIONS & DRAWINGS SCHEDULES SHOWN ARE FOR REFERENCE ONLY CONTRACTOR TO PROVIDE LINES, GRADES & TEMPLATES REQUIRED FOR PLACEMENTS
 - SECTIONS & DETAILS MAY NOT BE SHOWN ON ALL PLACING PLANS. KEEP STRUCTURAL DRAWINGS ON SITE FOR USE
 - SOME LAP LENGTHS WILL BE ROUNDED UP IN DETAILING TO PROVIDE FOR 1" INCREMENTS FOR LAPS
 - LAP OR EMBEDMENT LENGTHS SHOWN IN SPECIFIC DETAILS WILL SUPPRESS LAP IN THE LAP SCHEDULE
 - VERIFY PLACEMENT DRAWINGS TO LATEST ISSUE OF JOB RECORD DRAWING FOR POSSIBLE REVISIONS OR FIELD CHANGES
 - TYPICAL NOTES & DETAILS ARE USED THROUGHOUT ENTIRE PROJECT & APPLY UNLESS NOTED OTHERWISE

BENDING DETAILS

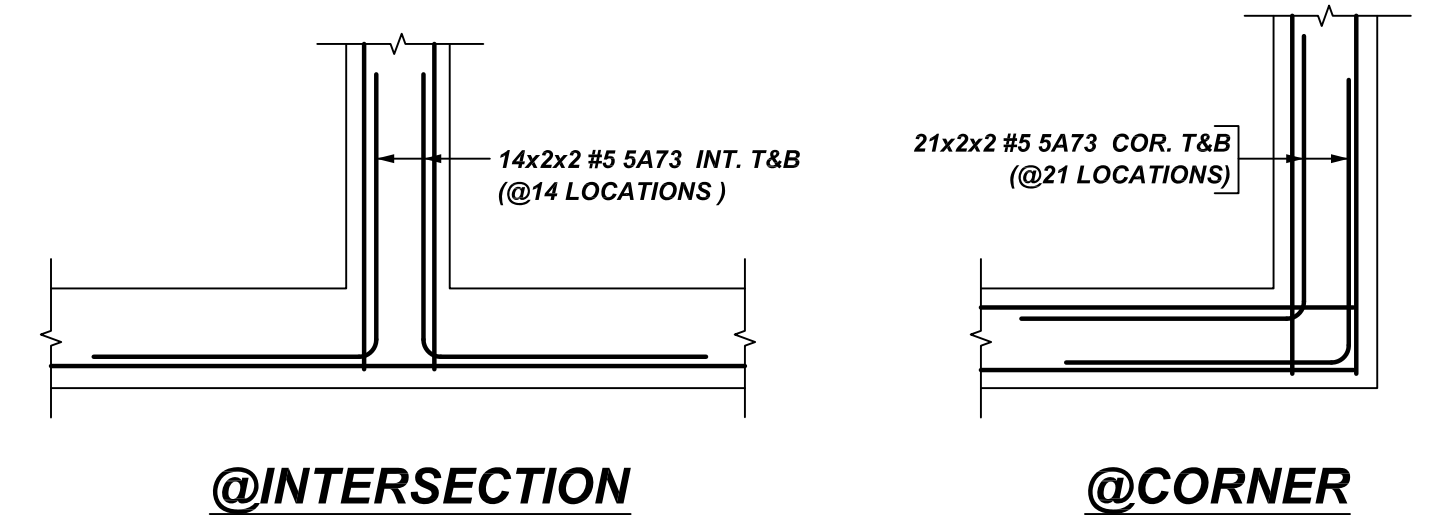
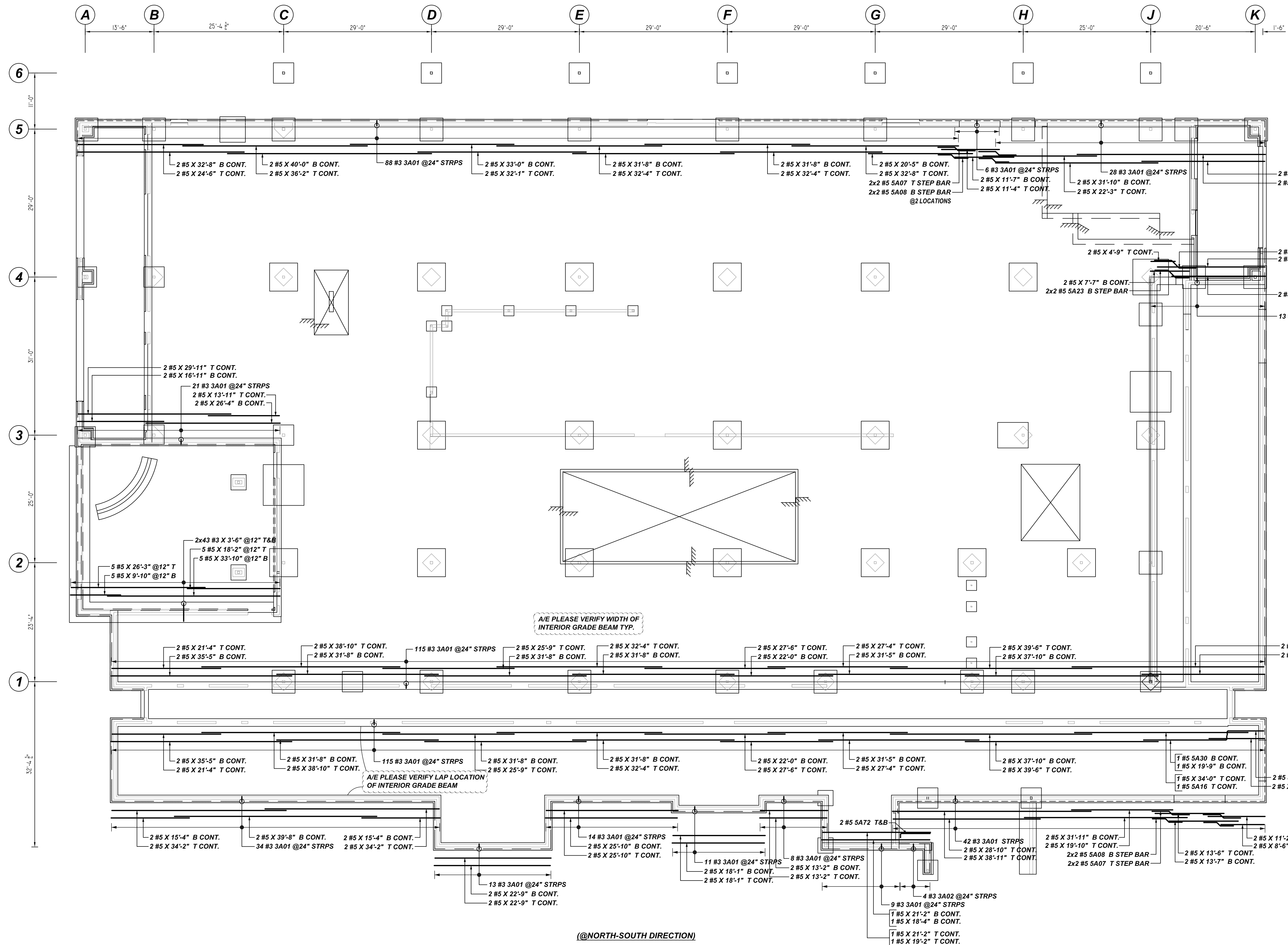
Bar Mark	Qty	Size	Total Length	Type	X	Y	Z	W	V	U	T	S	R	Q	P
4A03	88	#4	6'-10 X1'	25		1'-6"	1'-2 X1'	1'-6"	1'-2 X1'	1'-5"		1'-2"			
4A06	178	#4	6'-11 X1'	25		1'-6"	1'-2 X1'	1'-6"	1'-2 X1'	1'-5"		1'-2 X1'		0'-7"	



REVISION

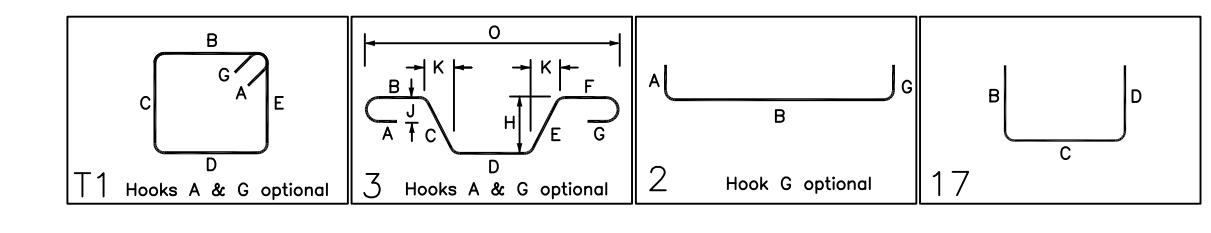
NO.	DATE	DESCRIPTION
1		
2		
3		
4		

JOB NAME: MIDLAND SENIOR LIFE
JOB NO: 22116
DETAILS OF: FOOTING REINFORCEMENT DETAILS
DATE: 09-21-22
DETAILER: SSTR
DRWG: R01
TEXAS REBAR, LLC 817-487-1672



GRADE BEAM TYPICAL DETAILS
 REF: 7/5500 (DT.05/26/22)
 SCALE: 1/2" = 1'-0"

Bar Mark	Qty	Size	Total Length	Type	X	Y	Z	W	V	U	T	S	R	Q	P	O	N	M	L	K	J	I	H	G	F	E	D	C	B	A
3A01	57	#3	5'-6"	11	0'-4"	1'-5"	1'-0"	1'-5"	1'-0"	0'-4"																				
3A02	4	#3	5'-10"	11	0'-4"	1'-5"	1'-0"	1'-5"	1'-0"	0'-4"																				
3A07	8	#3	7'-7"	3	3'-4"	0'-11"	3'-4"																							
3A08	8	#3	6'-1"	3	2'-7"	0'-11"	2'-7"																							
3A16	1	#3	30'-11"	2	0'-10"	30'-1"	2'-7"																							
3A23	4	#3	7'-3"	3	2'-7"	2'-1"	2'-7"																							
3A28	2	#3	6'-9"	3	3'-4"	2'-1"	3'-4"																							
3A29	2	#3	6'-0"	2	0'-10"	7'-2"																								
3A30	1	#3	17'-2"	2	0'-10"	16'-4"																								
3A32	2	#3	6'-8"	2	0'-10"	5'-10"																								
3A33	14	#3	6'-0"	17	3'-0"	3'-0"																								



A/E PLEASE VERIFY LAP SCHEDULE PROVIDED.

LAP SCHEDULE
 4000 PSI (CLASS-B) CASE - 1
 Per ACI :318 (12.2.2) EPOXY

BAR#	LENGTHS	
	TOP	OTHERS
#3	24"	18"
#4	32"	25"
#5	40"	31"
#6	48"	37"
#7	70"	54"

ALL TOP BARS ARE DEFINED AS HORIZONTAL BARS WITH MORE THAN 12" OF CONCRETE BELOW BARS.

TYPICAL REINFORCING BAR CLEARANCE TABLE

LOCATION	MIN. COVER
GRADE BEAM SIDE & BOTTOM	3" CLR
GRADE BEAM TOP	2" CLR

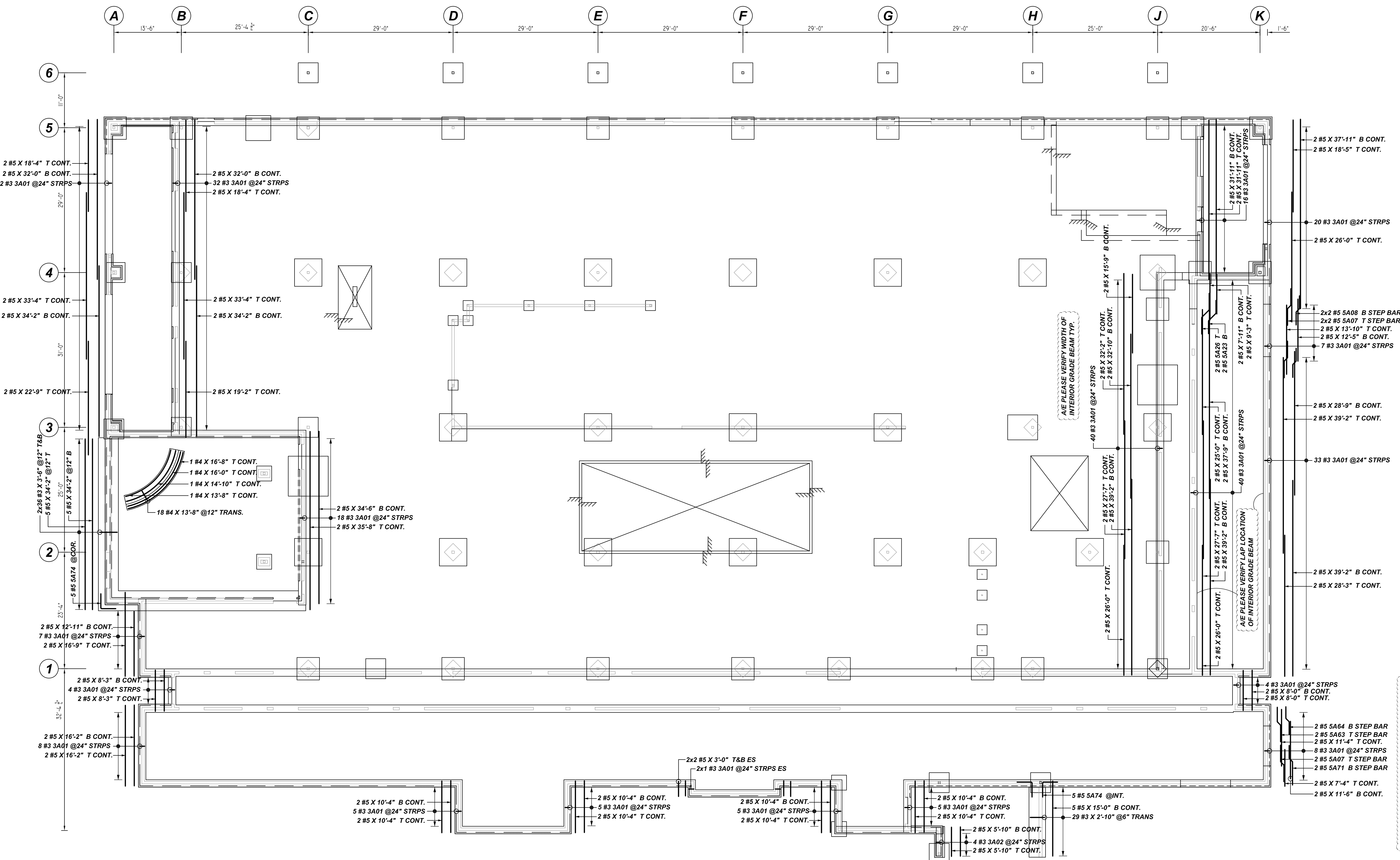
ALL BARS IN THIS DRAWING
 ASTM A615 GRADE 60
 BLACK UNCOATED

- PLACING PLAN NOTES**
- THIS DRAWINGS FOR REBAR PLACEMENT ASSISTANCE ONLY, REFER TO STRUCTURAL DETAILS FOR CONTRACT REQUIREMENTS
 - SECTIONS/DETAILS/DIMENSIONS ON PLACING PLAN ARE FOR REFERENCE AND ARE TO BE USED IN CONJUNCTION WITH CONTRACT DRAWING FOR CRSI MANUAL OF STANDARD PRACTICE
 - REINFORCING STEEL IS DETAILED PER CONTRACT DOCUMENTS ONLY AS SHOWN CODE COMPLIANCE REQUIREMENTS ARE THE RESPONSIBILITY OF ENGINEER AND/OR CONTRACTOR.
 - THE CONTRACTOR UNDERSTANDS THAT THE ENGINEER SHOULD ALWAYS VERIFY SHOP DRAWINGS IF TIME DOES NOT ALLOW FOR APPROVALS, TEXAS REBAR IS NOT HELD RESPONSIBLE FOR UNAPPROVED SHOP DRAWINGS USED IN PLACING CRSI MANUAL OF STANDARD PRACTICE THE CUSTOMER AND ENGINEER SHOULD REVIEW SHOP DRAWINGS PRIOR TO INSTALLATION TO VERIFY ACCURACY TO STRUCTURAL DRAWINGS.
- PLACING PLAN NOTES**
- DIMENSIONS ELEVATIONS & DRAWINGS SCALES SHOWN ARE FOR REFERENCE ONLY CONTRACTOR TO PROVIDE LINES, GRADES & TEMPLATES REQUIRED FOR PLACEMENTS
 - SECTIONS & DETAILS MAY NOT BE SHOWN ON ALL PLACING PLANS. KEEP STRUCTURAL DRAWINGS ON SITE FOR USE
 - SOME LAP LENGTHS WILL BE ROUNDED UP IN DETAILING TO PROVIDE FOR 1" INCREMENTS FOR LAPS.
 - LAP OR EMBEDMENT LENGTHS SHOWN IN SPECIFIC DETAILS WILL SUPPRESS LAPS IN THE LAP SCHEDULE
 - VERIFY PLACEMENT DRAWINGS TO LATEST ISSUE OF JOB RECORD DRAWING FOR POSSIBLE REVISIONS OR FIELD CHANGES.
 - TYPICAL NOTES & DETAILS ARE USED THROUGHOUT ENTIRE PROJECT & APPLY UNLESS NOTED OTHERWISE.

NORTH - SOUTH DIRECTION GRADE BEAM REINFORCEMENTS DETAILS

REF : S-210(DT.06/29/22)
 SCALE : 1/10" = 1'-0"

NO.	DATE	REVISION	DESCRIPTION	BY	CHECKED	DATE	JOB NAME:	JOB NO:	DETAILS OF:	DATE:	DETAILER:	DRWG:
							MIDLAND SENIOR LIFE	22116	NORTH-SOUTH GRADE BEAM REINFORCEMENT DETAILS	09-21-22	SSSTR	R02
TEXAS REBAR, LLC 817-487-1672												



LAP SCHEDULE
4000 PSI (CLASS-B) CASE - 1
Per ACI :318 (12.2.2) EPOXY

BAR#	LENGTHS	
	TOP	OTHERS
#3	24"	18"
#4	32"	25"
#5	40"	31"
#6	48"	37"
#7	70"	54"

ALL TOP BARS ARE DEFINED AS HORIZONTAL BARS WITH MORE THAN 12" OF CONCRETE BELOW BARS.

TYPICAL REINFORCING BAR CLEARANCE TABLE

LOCATION	MIN. COVER
GRADE BEAM SIDE & BOTTOM	3" CLR
GRADE BEAM TOP	2" CLR

ALL BARS IN THIS DRAWING
ASTM A615 GRADE 60
BLACK UNCOATED

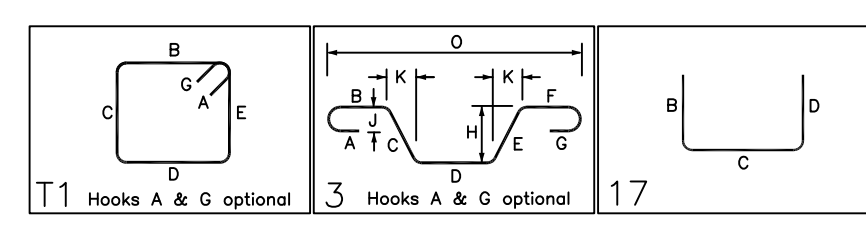
EAST - WEST DIRECTION GRADE BEAM REINFORCEMENTS DETAILS

REF : S-210(DT.06/29/22)
SCALE : 1/10" = 1'-0"

- PLACING PLAN NOTES**
- THIS DRAWINGS FOR REBAR PLACEMENT ASSISTANCE ONLY, REFER TO STRUCTURAL DETAILS FOR CONTRACT REQUIREMENTS
 - SECTIONS/DETAILS/DIMENSIONS ON PLACING PLAN ARE FOR REFERENCE AND ARE TO BE USED IN CONJUNCTION WITH CONTRACT DRAWING FOR CRSI MANUAL OF STANDARD PRACTICE
 - REINFORCING STEEL IS DETAILED PER CONTRACT DOCUMENTS ONLY AS SHOWN CODE COMPLIANCE REQUIREMENTS ARE THE RESPONSIBILITY OF ENGINEER AND/OR CONTRACTOR
 - THE CONTRACTOR UNDERSTANDS THAT THE ENGINEER SHOULD ALWAYS VERIFY SHOP DRAWINGS IF TIME DOES NOT ALLOW FOR APPROVALS, TEXAS REBAR IS NOT HELD RESPONSIBLE FOR UNAPPROVED SHOP DRAWINGS USED IN PLACING CRSI MANUAL OF STANDARD PRACTICE THE CUSTOMER AND ENGINEER SHOULD REVIEW SHOP DRAWINGS PRIOR TO INSTALLATION TO VERIFY ACCURACY TO STRUCTURAL DRAWINGS.
- PLACING PLAN NOTES**
- DIMENSIONS ELEVATIONS & DRAWINGS SCALES SHOWN ARE FOR REFERENCE ONLY CONTRACTOR TO PROVIDE LINES, GRADES & TEMPLATES REQUIRED FOR PLACEMENTS
 - SECTIONS & DETAILS MAY NOT BE SHOWN ON ALL PLACING PLANS. KEEP STRUCTURAL DRAWINGS ON SITE FOR USE
 - SOME LAP LENGTHS WILL BE ROUNDED UP IN DETAILING TO PROVIDE FOR 1" INCREMENTS FOR LAPS
 - LAP OR EMBEDMENT LENGTHS SHOWN IN SPECIFIC DETAILS WILL SUPPRESS LAPS IN THE LAP SCHEDULE
 - VERIFY PLACEMENT DRAWINGS TO LATEST ISSUE OF JOB RECORD DRAWING FOR POSSIBLE REVISIONS OR FIELD CHANGES
 - TYPICAL NOTES & DETAILS ARE USED THROUGHOUT ENTIRE PROJECT & APPLY UNLESS NOTED OTHERWISE

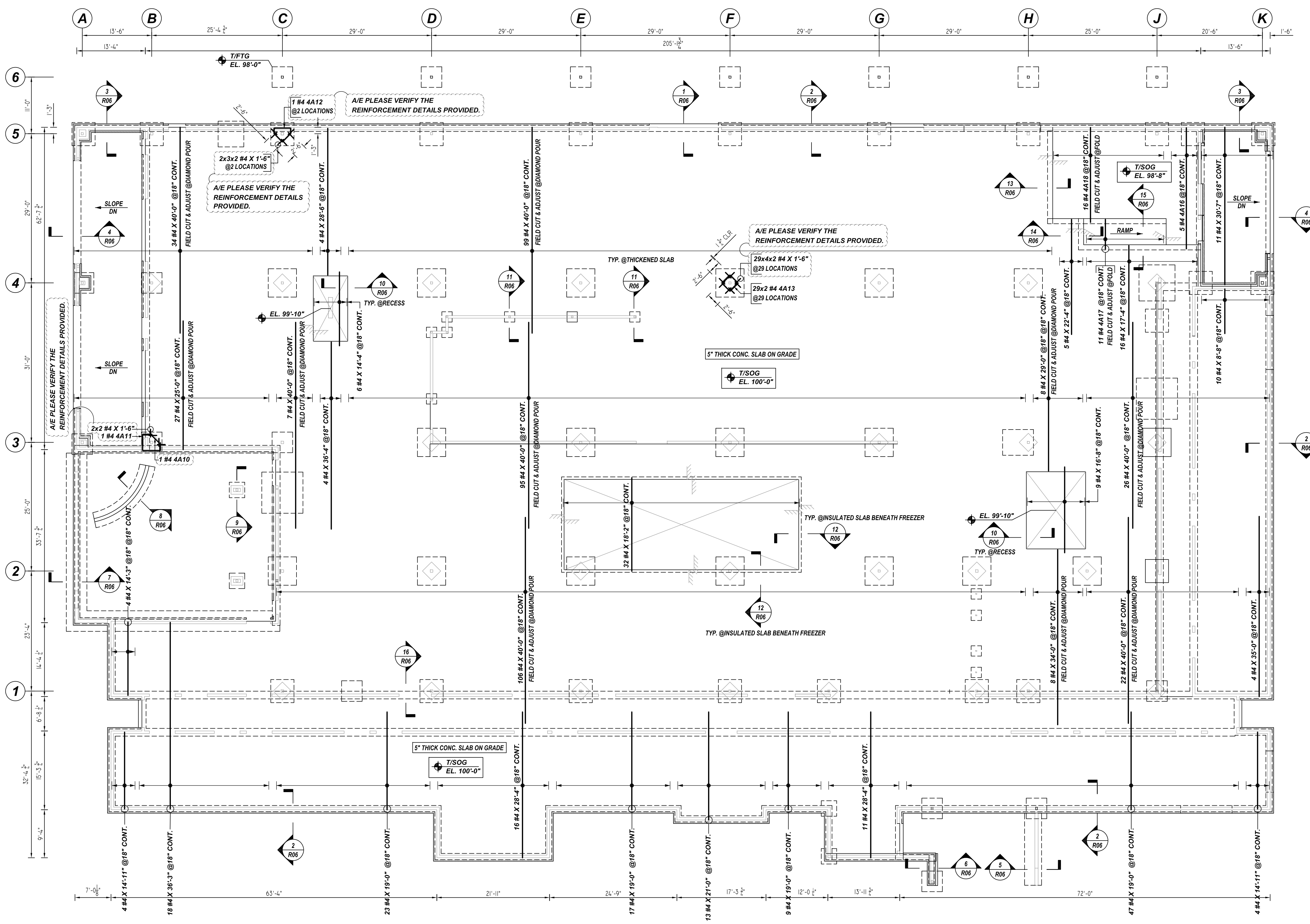
Release Number: R03

Bar Mark	Qty	Size	Total Length	Type	X	Y	Z	W	V	U	T	S	R	Q	P	O	N	M	L	K	J	I	H	G	F	E	D	C	B	A				
3A01	20	#3	5'-4 1/2"	11	0'-4 1/2"	1'-5"	1'-0"	1'-5"	1'-0"	0'-4 1/2"																								
3A02	4	#3	5'-10 1/2"	11	0'-4 1/2"	1'-5"	1'-0"	1'-5"	1'-0"	0'-4 1/2"																								
5A07	6	#5	7'-7 1/2"	3	3'-4"	0'-11 1/2"	3'-4"				0'-8 1/2"																							
5A08	4	#5	6'-1 1/2"	3	2'-7"	0'-11 1/2"	2'-7"				0'-8 1/2"																							
5A03	2	#5	7'-3 1/2"	3	2'-7"	2'-1 1/2"	2'-7"				1'-6 1/2"																							
5A05	2	#5	6'-9 1/2"	3	3'-4"	2'-1 1/2"	3'-4"				1'-6 1/2"																							
5A03	2	#5	7'-2 1/2"	3	2'-11"	0'-11 1/2"	3'-4"				0'-8 1/2"																							
5A04	2	#5	5'-10 1/2"	3	2'-4"	0'-11 1/2"	2'-7"				0'-8 1/2"																							
5A01	2	#5	8'-2 1/2"	3	2'-7"	0'-11 1/2"	4'-8"				0'-8 1/2"																							
5A04	10	#5	6'-0"	17	3'-0"	3'-0"																												



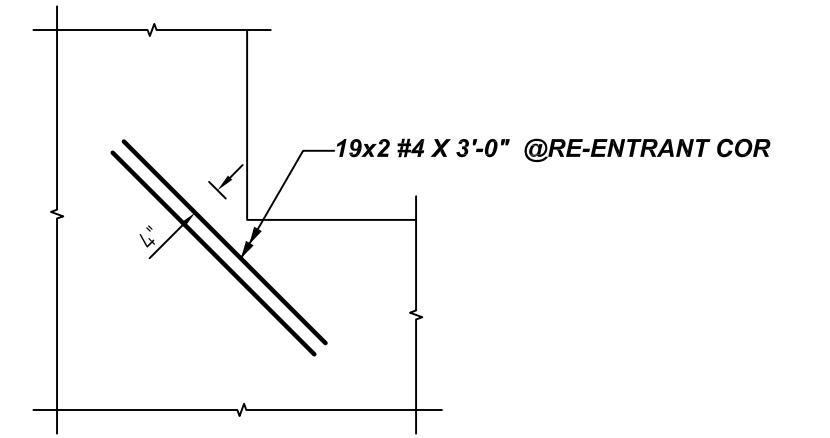
NO.	DATE	DESCRIPTION	BY	CHECKED	APPROVED	JOB NAME:	JOB NO:	DETAILS OF:	DATE:	DETAILER:	DRWG:

TEXAS REBAR, LLC 817-487-1672



SLAB ON GRADE - OUTER LAYER REINFORCEMENT DETAILS

REF: S-210(DT.06/29/22)
SCALE: 1/10" = 1'-0"



TYPICAL RE-ENTRANT CORNER REINFORCEMENT DETAILS

REF: S/S-500 (DT.05/26/22)
SCALE: 1/2" = 1'-0"
(@19 LOCATIONS)

LAP SCHEDULE

4000 PSI (CLASS-B) CASE - 1
Per ACI 318 (12.2.2) EPOXY

BAR#	LENGTHS	
	TOP	OTHERS
#3	24"	18"
#4	32"	25"
#5	40"	31"
#6	48"	37"
#7	70"	54"

ALL TOP BARS ARE DEFINED AS HORIZONTAL BARS WITH MORE THAN 12" OF CONCRETE BELOW BARS.

TYPICAL REINFORCING BAR CLEARANCE TABLE

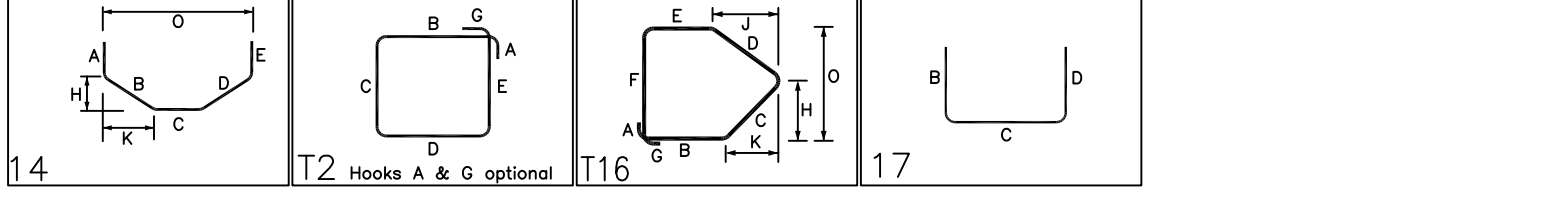
LOCATION	MIN. COVER
GRADE BEAM SIDE & BOTTOM	3" CLR
GRADE BEAM TOP	2" CLR
SLAB	2" CLR

**ALL BARS IN THIS DRAWING
ASTM A615 GRADE 60
BLACK UNCOATED**

- PLACING PLAN NOTES**
- THIS DRAWINGS FOR REBAR PLACEMENT ASSISTANCE ONLY, REFER TO STRUCTURAL DETAILS FOR CONTRACT REQUIREMENTS
 - SECTIONS / DETAILS / DIMENSIONS ON PLACING PLAN ARE FOR REFERENCE AND ARE TO BE USED IN CONJUNCTION WITH CONTRACT DRAWING FOR CRSI MANUAL OF STANDARD PRACTICE
 - REINFORCING STEEL IS DETAILED PER CONTRACT DOCUMENTS ONLY AS SHOWN CODE COMPLIANCE REQUIREMENTS ARE THE RESPONSIBILITY OF ENGINEER AND / OR CONTRACTOR
 - THE CONTRACTOR UNDERSTANDS THAT THE ENGINEER SHOULD ALWAYS VERIFY SHOP DRAWINGS IF TIME DOES NOT ALLOW FOR APPROVALS, TEXAS REBAR IS NOT HELD RESPONSIBLE FOR UNAPPROVED SHOP DRAWINGS USED IN PLACING CRSI MANUAL OF STANDARD PRACTICE THE CUSTOMER AND ENGINEER SHOULD REVIEW SHOP DRAWINGS PRIOR TO INSTALLATION TO VERIFY ACCURACY TO STRUCTURAL DRAWINGS.
- PLACING PLAN NOTES**
- DIMENSIONS ELEVATIONS & DRAWINGS SCALES SHOWN ARE FOR REFERENCE ONLY CONTRACTOR TO PROVIDE LINES, GRADES & TEMPLATES REQUIRED FOR PLACEMENTS
 - SECTIONS & DETAILS MAY NOT BE SHOWN ON ALL PLACING PLANS. KEEP STRUCTURAL DRAWINGS ON SITE FOR USE
 - SOME LAP LENGTHS WILL BE ROUNDED UP IN DETAILING TO PROVIDE FOR 1" INCREMENTS FOR LAPS
 - LAP OR EMBEDMENT LENGTHS SHOWN IN SPECIFIC DETAILS WILL SUPPRESS LAPS IN THE LAP SCHEDULE
 - VERIFY PLACEMENT DRAWINGS TO LATEST ISSUE OF JOB RECORD DRAWING FOR POSSIBLE REVISIONS OR FIELD CHANGES
 - TYPICAL NOTES & DETAILS ARE USED THROUGHOUT ENTIRE PROJECT & APPLY UNLESS NOTED OTHERWISE.

Reference Number: R04

Bar Mark	Qty	Size	Total Length	Type	X	Y	Z	W	V	U	T	S	R	Q	P	O	N	M	L	K	J	I	H	G	F	E	D	C	B	A	
4A10	1	#4	5'-8"	T2	1'-9"	2'-4"	1'-8"																								
4A11	1	#4	10'-0"	T2	1'-9"	3'-2"	3'-5"	1'-8"																							
4A12	1	#4	10'-8"	T16	0'-4"	1'-0"	2'-3"	2'-4"	1'-0"																						
4A13	58	#4	8'-3"	T2	2'-2"	2'-2"	2'-2"	1'-0"	3'-5"	0'-4"	1'-7"	1'-7"	1'-7"	3'-3"																	
4A16	5	#4	24'-10"	T2	23'-4"	1'-4"																									
4A17	11	#4	7'-5"	T2	5'-9"	1'-8"																									
4A18	16	#4	19'-9"	T2	18'-5"	1'-4"																									

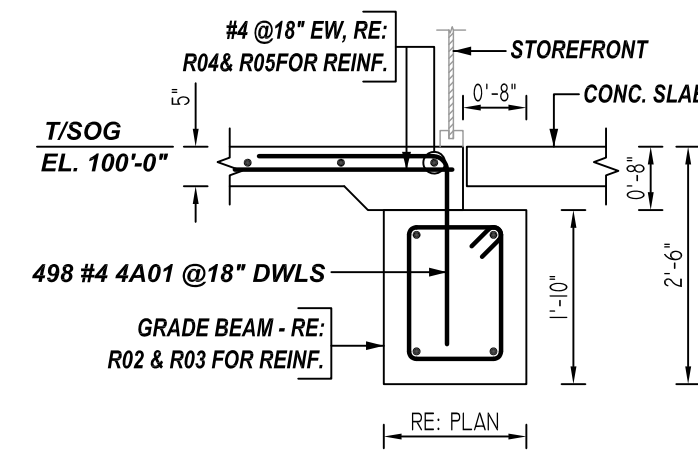


ACCESSORIES DETAILS

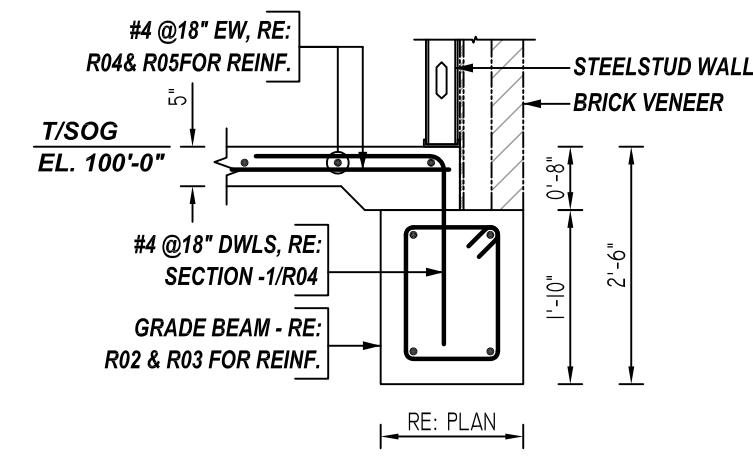
S. NO	ELEMENT	DESCRIPTION	PCS	LFT	REMARK
1	5" THK SOG	2" HT SB @4'-0" C/C	-	7900	FOR BAR SUPPORT (@ BOTTOM)

NO	DATE	DESCRIPTION	BY	CHECKED	APPROVED

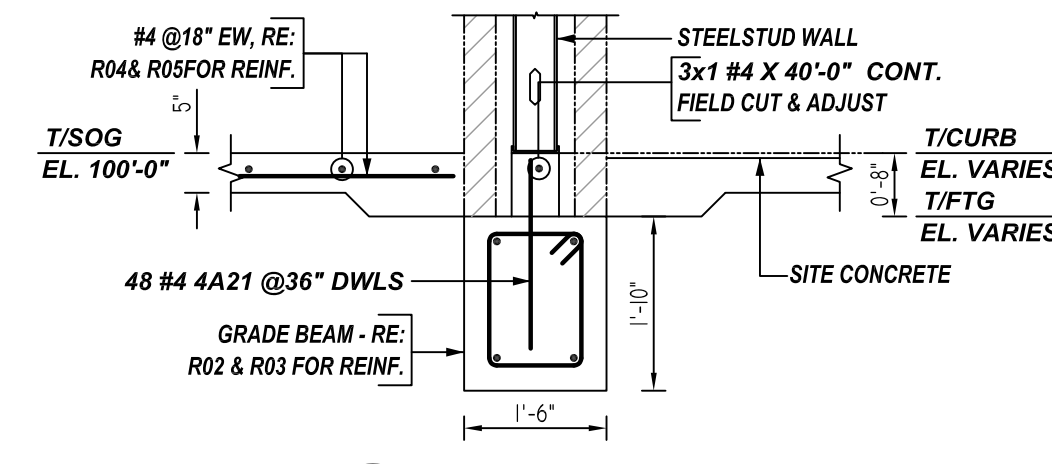
JOB NAME:	MIDLAND SENIOR LIFE
JOB NO:	22116
DETAILS OF:	SLAB ON GRADE REINFORCEMENT DETAILS
DATE:	09-21-22
DETAILER:	SSTR
DRWG:	R04
TEXAS REBAR, LLC 817-487-1672	



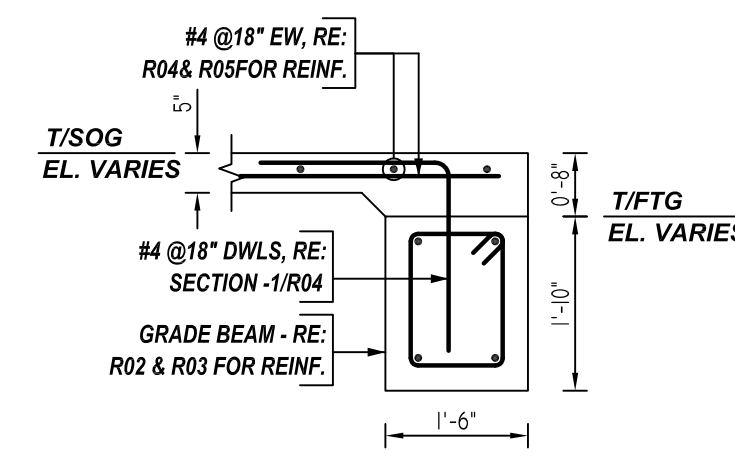
1 SECTION
REF: 3/S-501 (DT.05/26/22)
SCALE: 1/2" = 1'-0"



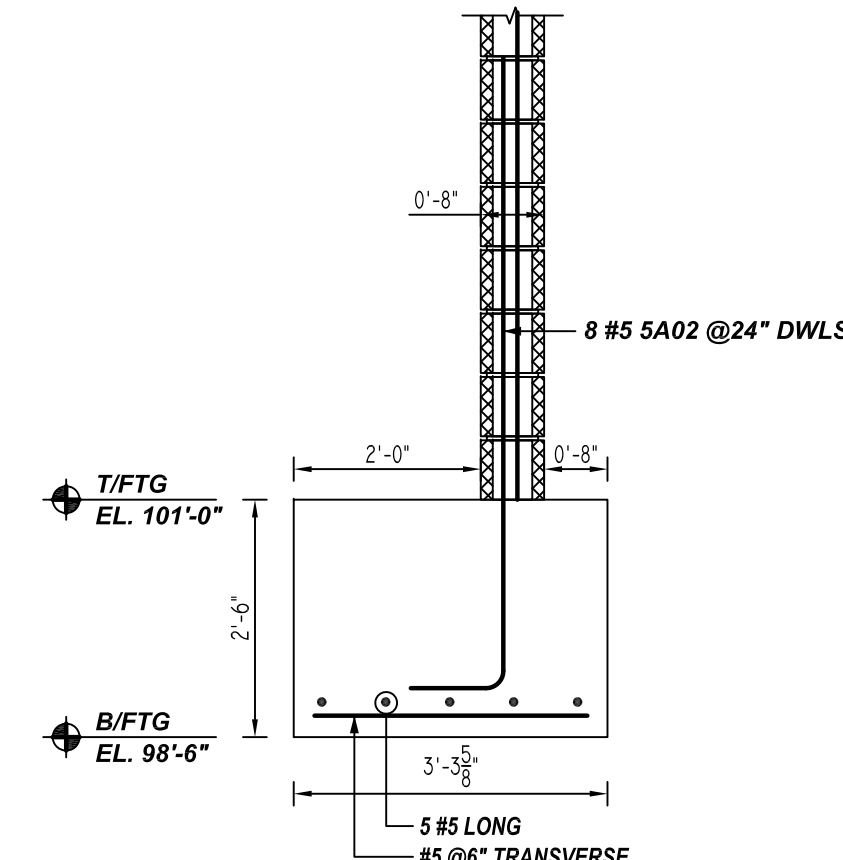
2 SECTION
REF: 3/S-501 (DT.05/26/22)
SCALE: 1/2" = 1'-0"



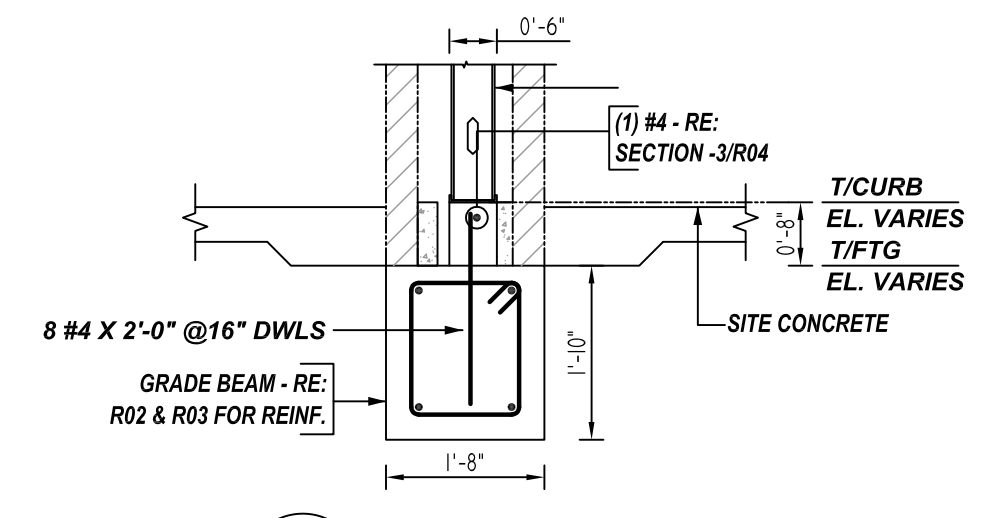
3 SECTION
REF: 16&17/S-501 (DT.05/26/22)
SCALE: 1/2" = 1'-0"



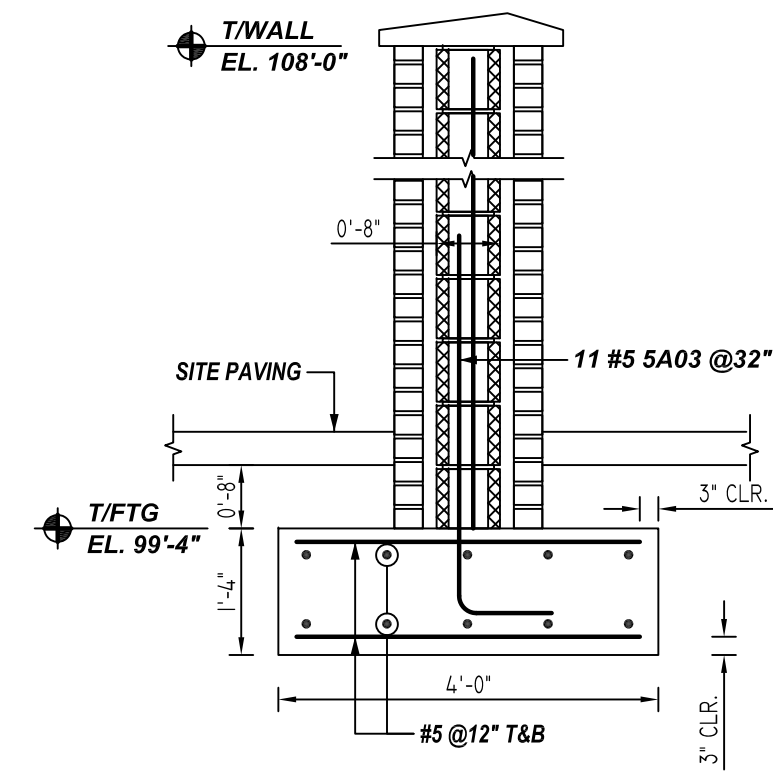
4 SECTION
REF: 3/S-501 (DT.05/26/22)
SCALE: 1/2" = 1'-0"



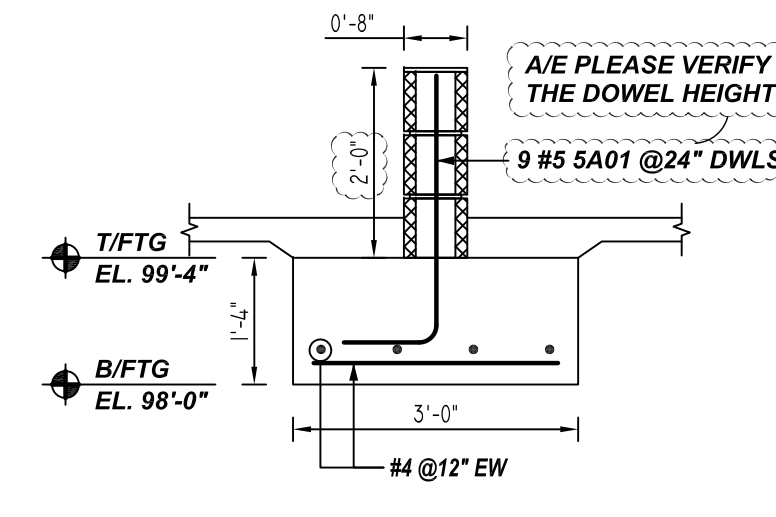
5 SECTION
REF: S501 (DT.05/26/22)
SCALE: 1/2" = 1'-0"



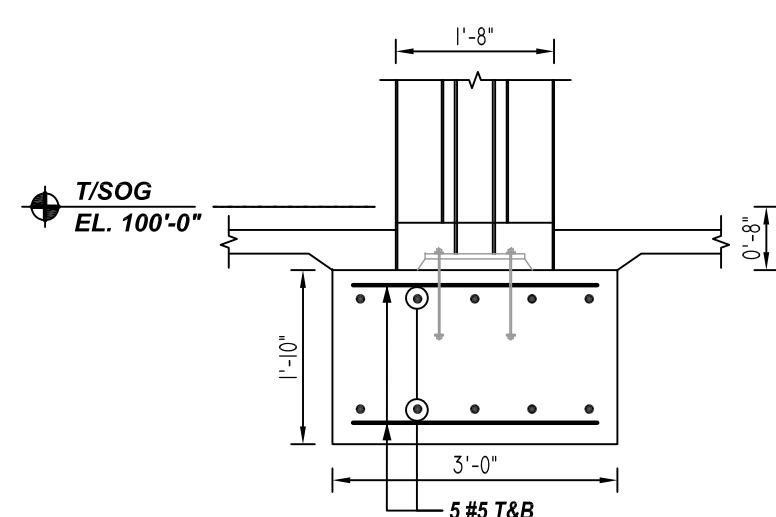
6 SECTION
REF: 16&17/S-501 (DT.05/26/22)
SCALE: 1/2" = 1'-0"



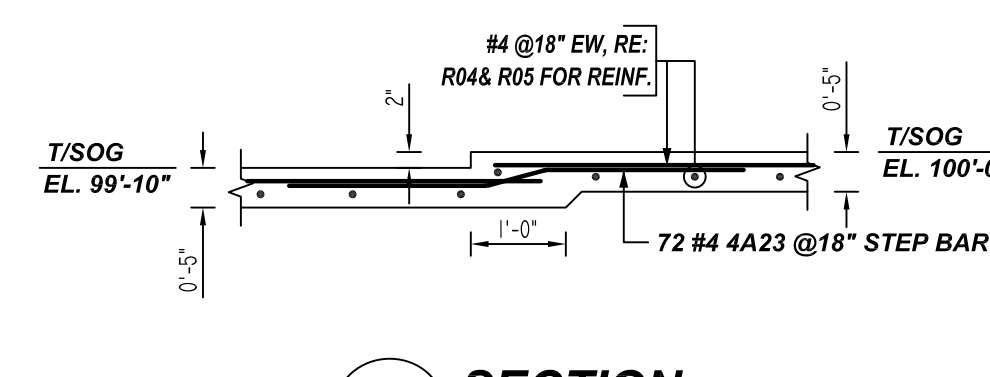
7 SECTION
REF: S501 (DT.05/26/22)
SCALE: 1/2" = 1'-0"



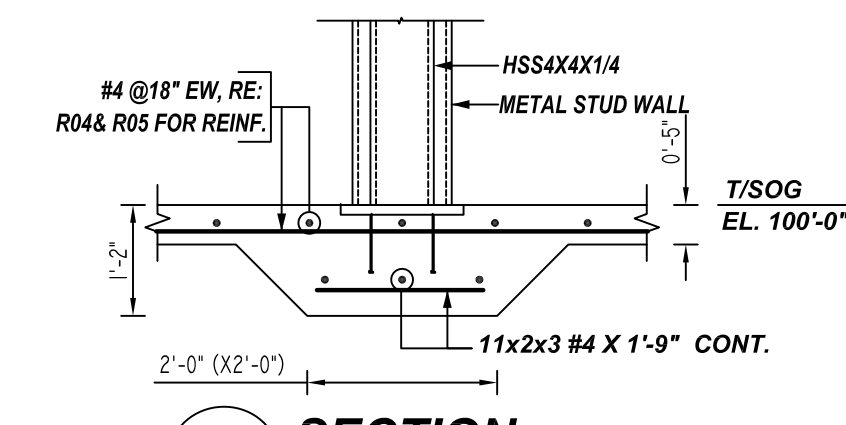
8 SECTION
REF: S501 (DT.05/26/22)
SCALE: 1/2" = 1'-0"



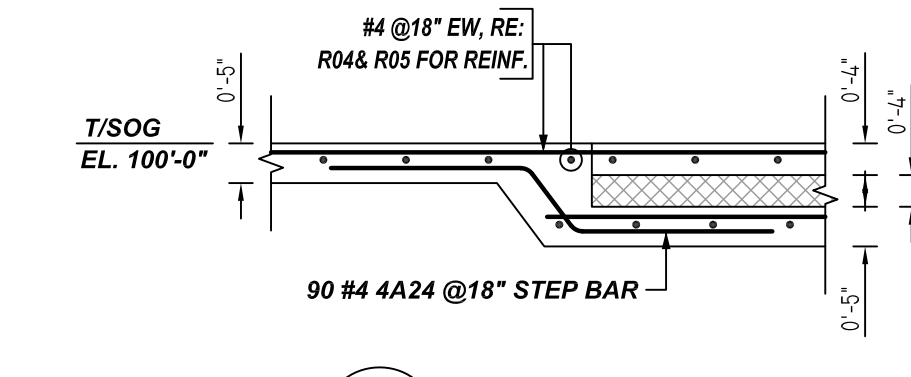
9 SECTION
REF: S501 (DT.05/26/22)
SCALE: 1/2" = 1'-0"



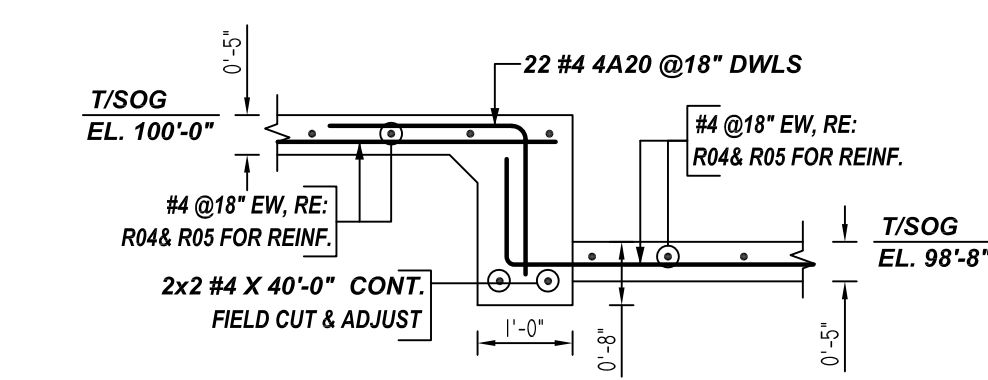
10 SECTION
REF: 13/S-500 (DT.05/26/22)
SCALE: 1/2" = 1'-0"



11 SECTION
REF: 9/S-500 (DT.05/26/22)
SCALE: 1/2" = 1'-0"
(@11 LOCATIONS)

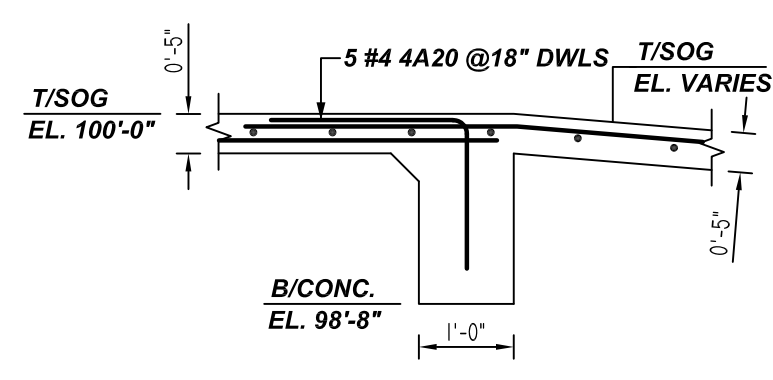


12 SECTION
REF: 11/S-501 (DT.05/26/22)
SCALE: 1/2" = 1'-0"



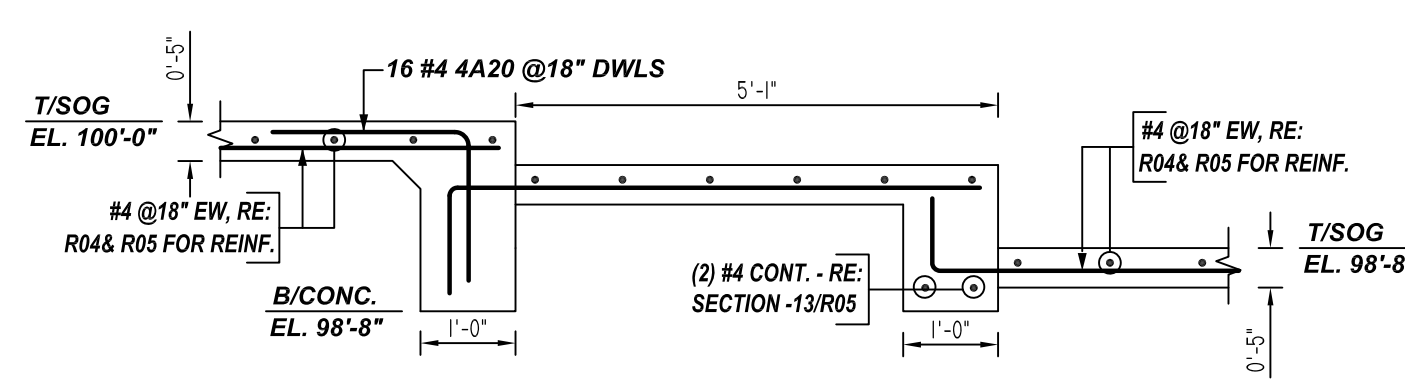
13 SECTION
REF: 11/S-501 (DT.05/26/22)
SCALE: 1/2" = 1'-0"

A/E PLEASE VERIFY REQUIREMENT THE SECTION.

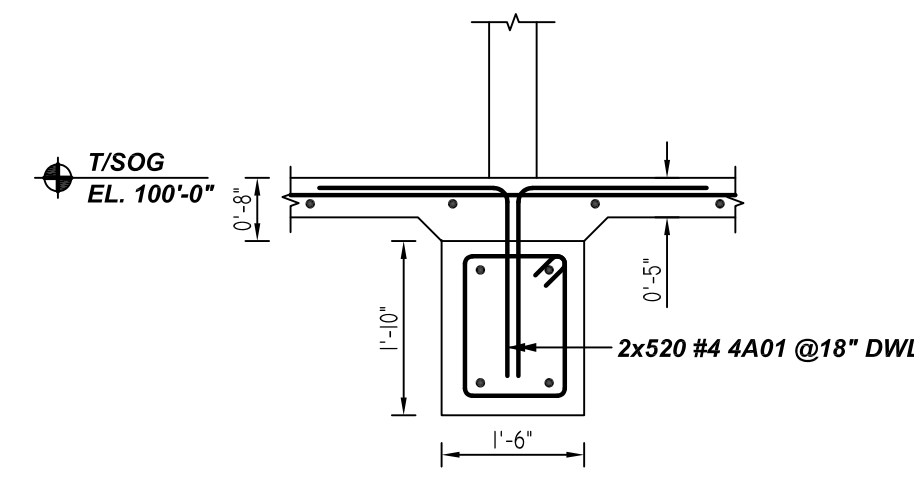


14 SECTION
REF: 11/S-501 (DT.05/26/22)
SCALE: 1/2" = 1'-0"

A/E PLEASE VERIFY REQUIREMENT THE SECTION.



15 SECTION
REF: 11/S-501 (DT.05/26/22)
SCALE: 1/2" = 1'-0"



16 SECTION
REF: S501 (DT.05/26/22)
SCALE: 1/2" = 1'-0"

A/E PLEASE VERIFY LAP SCHEDULE PROVIDED.

LAP SCHEDULE

4000 PSI (CLASS-B) CASE - 1
Per ACI 318 (12.2.2) EPOXY

BAR#	LENGTHS	
	TOP	OTHERS
#3	24"	18"
#4	32"	25"
#5	40"	31"
#6	48"	37"
#7	70"	54"

ALL TOP BARS ARE DEFINED AS HORIZONTAL BARS WITH MORE THAN 12" OF CONCRETE BELOW BARS.

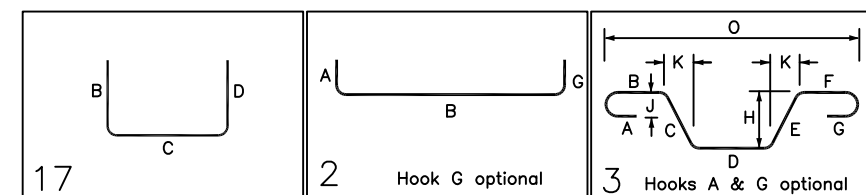
TYPICAL REINFORCING BAR CLEARANCE TABLE	
LOCATION	MIN. COVER
GRADE BEAM SIDE & BOTTOM	3" CLR
GRADE BEAM TOP	2" CLR

**ALL BARS IN THIS DRAWING
ASTM A615 GRADE 60
BLACK UNCOATED**

PLACING PLAN NOTES

1. THIS DRAWINGS FOR REBAR PLACEMENT ASSISTANCE ONLY, REFER TO STRUCTURAL DETAILS FOR CONTRACT REQUIREMENTS
2. SECTIONS (DETAILS) DIMENSIONS ON PLACING PLAN ARE FOR REFERENCE AND ARE TO BE USED IN CONJUNCTION WITH CONTRACT DRAWING FOR CRSI MANUAL OF STANDARD PRACTICE
3. REINFORCING STEEL IS DETAILED PER CONTRACT DOCUMENTS ONLY AS SHOWN CODE COMPLIANCE REQUIREMENTS ARE THE RESPONSIBILITY OF ENGINEER AND/OR CONTRACTOR.
4. THE CONTRACTOR UNDERSTANDS THAT THE ENGINEER SHOULD ALWAYS VERIFY SHOP DRAWINGS IF TIME DOES NOT ALLOW FOR APPROVALS, TEXAS REBAR IS NOT HELD RESPONSIBLE FOR UNAPPROVED SHOP DRAWINGS USED IN PLACING CRSI MANUAL OF STANDARD PRACTICE THE CUSTOMER AND ENGINEER SHOULD REVIEW SHOP DRAWINGS PRIOR TO INSTALLATION TO VERIFY ACCURACY TO STRUCTURAL DRAWINGS.
1. DIMENSIONS ELEVATIONS & DRAWINGS SCALES SHOWN ARE FOR REFERENCE ONLY CONTRACTOR TO PROVIDE LINES, GRADES & TEMPLATES REQUIRED FOR PLACEMENTS
2. SECTIONS & DETAILS MAY NOT BE SHOWN ON ALL PLACING PLANS. KEEP STRUCTURAL DRAWINGS ON SITE FOR USE
3. SOME LAP LENGTHS WILL BE ROUNDED UP IN DETAILING TO PROVIDE FOR 1" INCREMENTS FOR LAPS.
4. LAP OR EMBEDMENT LENGTHS SHOWN IN SPECIFIC DETAILS WILL SUPPRESS LAPS IN THE LAP SCHEDULE
5. VERIFY PLACEMENT DRAWINGS TO LATEST ISSUE OF JOB RECORD DRAWING FOR POSSIBLE REVISIONS OR FIELD CHANGES.
6. TYPICAL NOTES & DETAILS ARE USED THROUGHOUT ENTIRE PROJECT & APPLY UNLESS NOTED OTHERWISE.

Bar Mark	Qty	Size	Total Length	Type	X'	Y'	Z'	W'	V'	U'	T'	S'	R'	Q'	P'	O'	N'	M'	L'	K'	J'	I'	H'	G'	F'	E'	D'	C'	B'	A'	
4A01	1538	#4	4'-0"	17		2'-0"	2'-0"																								
4A02	43	#4	3'-8"	17		2'-1"	1'-7"																								
4A21	48	#4	2'-8"	2		0'-8"	2'-0"																								
4A22	72	#4	4'-9"	3		2'-1"	0'-7"	2'-1"																							
4A24	90	#4	5'-0"	3		2'-1"	0'-10"	2'-1"																							
5A01	8	#5	3'-10"	17		2'-10"	1'-0"																								
5A02	8	#5	7'-8"	17		6'-8"	1'-0"																								
5A03	11	#5	5'-0"	17		4'-0"	1'-0"																								



NO.	REVISION	DESCRIPTION	DATE	DATE
			BY	BY

JOB NAME: MIDLAND SENIOR LIFE
JOB NO: 22116
DETAILS OF: FOUNDATION & SLAB ON GRADE REINFORCEMENT DETAILS
DATE: 09-21-22
DETAILER: SSSTR
DRWG: R06
TEXAS REBAR, LLC 817-487-1672