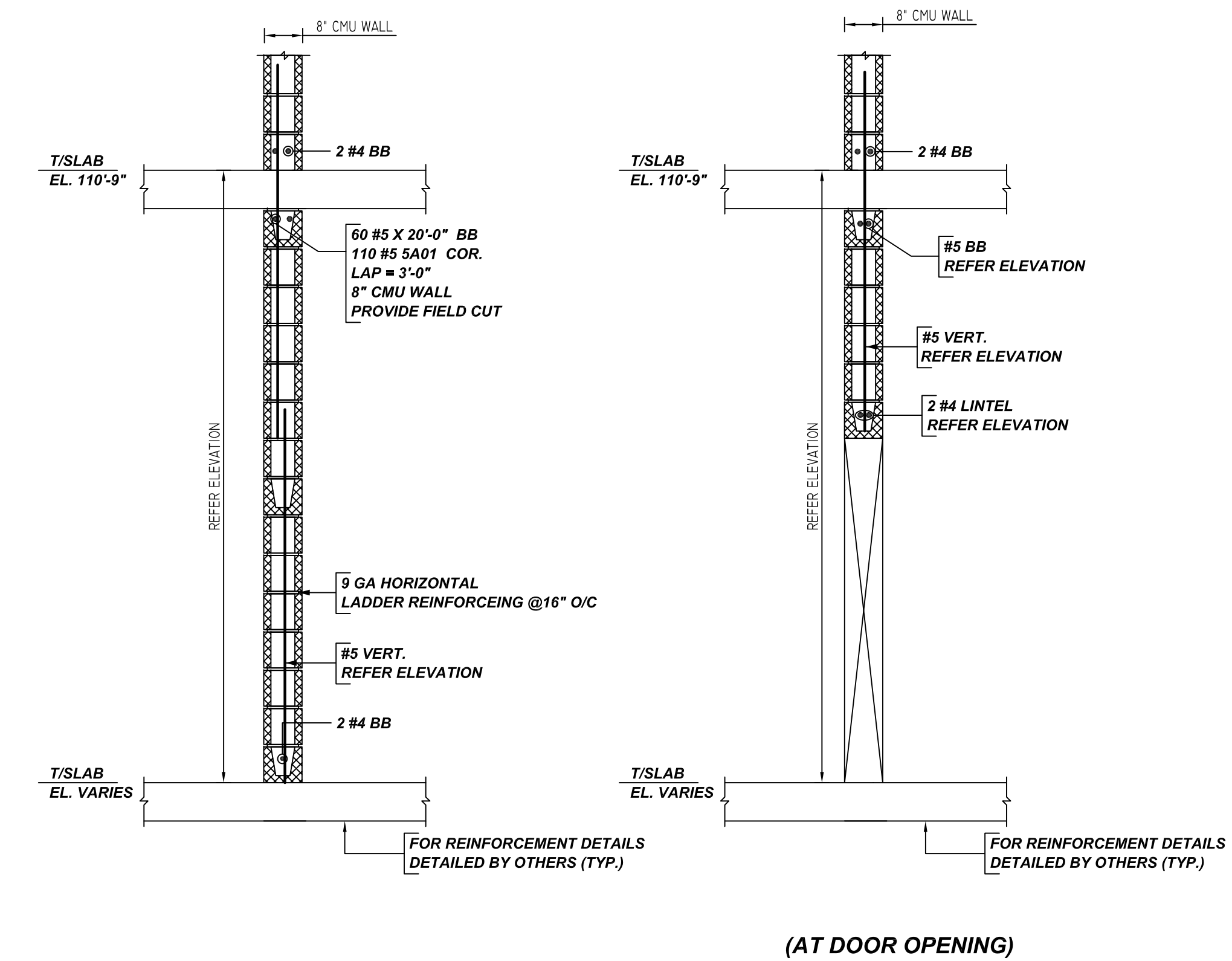


LEVEL 1 - CMU WALL LAYOUT

REF: S-101 (DT.10/04/22)
SCALE: 1/12" = 1'-0"



TYPICAL CMU WALL DETAILS

REF: S-401 (DT.08/30/22)
SCALE: 1/2" = 1'-0"

ACCESSORIES DETAILS

S. NO	ELEMENT	DESCRIPTION	PCS	LFT	REMARK
1	8" CMU WALL	9 GA HORIZONTAL LADDER REINFORCING @ 16" O/C	-	1620	-
1	8" CMU WALL	12 GA HORIZONTAL LADDER REINFORCING @ 16" O/C	-	280	-

LAP SCHEDULE
8" CMU WALL (2000 PSI)

BAR #	HORIZ OR EDGE VERT	CENTER VERT
#4	24"	16"
#5	36"	24"
#6	54"	45"
#7	64"	62"
#8	72"	72"

TYPICAL REINFORCING BAR CLEARANCE TABLE

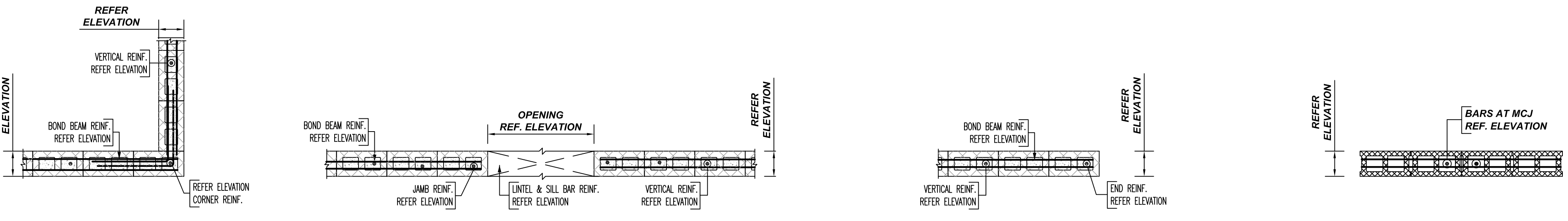
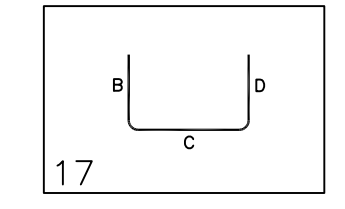
LOCATION	MIN. COVER
CMU WALL TOP & SIDES	2" CLR

**ALL BARS IN THIS DRAWING
ASTM A615 GRADE 60
BLACK UNCOATED**

TYPICAL VERTICAL BAR LAPPING DETAIL

Release Number: M01

Bar Mark	Qty	Size	Total Length	Type	X	Y	Z	W	V	U	T	S	R	Q	P	O	N	M	L	K	J	I	H	G	F	E	D	C	B	A	
SA01	110	#5	6'-0"	17																											



TYPICAL CMU WALL REINFORCEMENT DETAILS

REF: S-401 (DT.08/30/22)
SCALE: 1/2" = 1'-0"

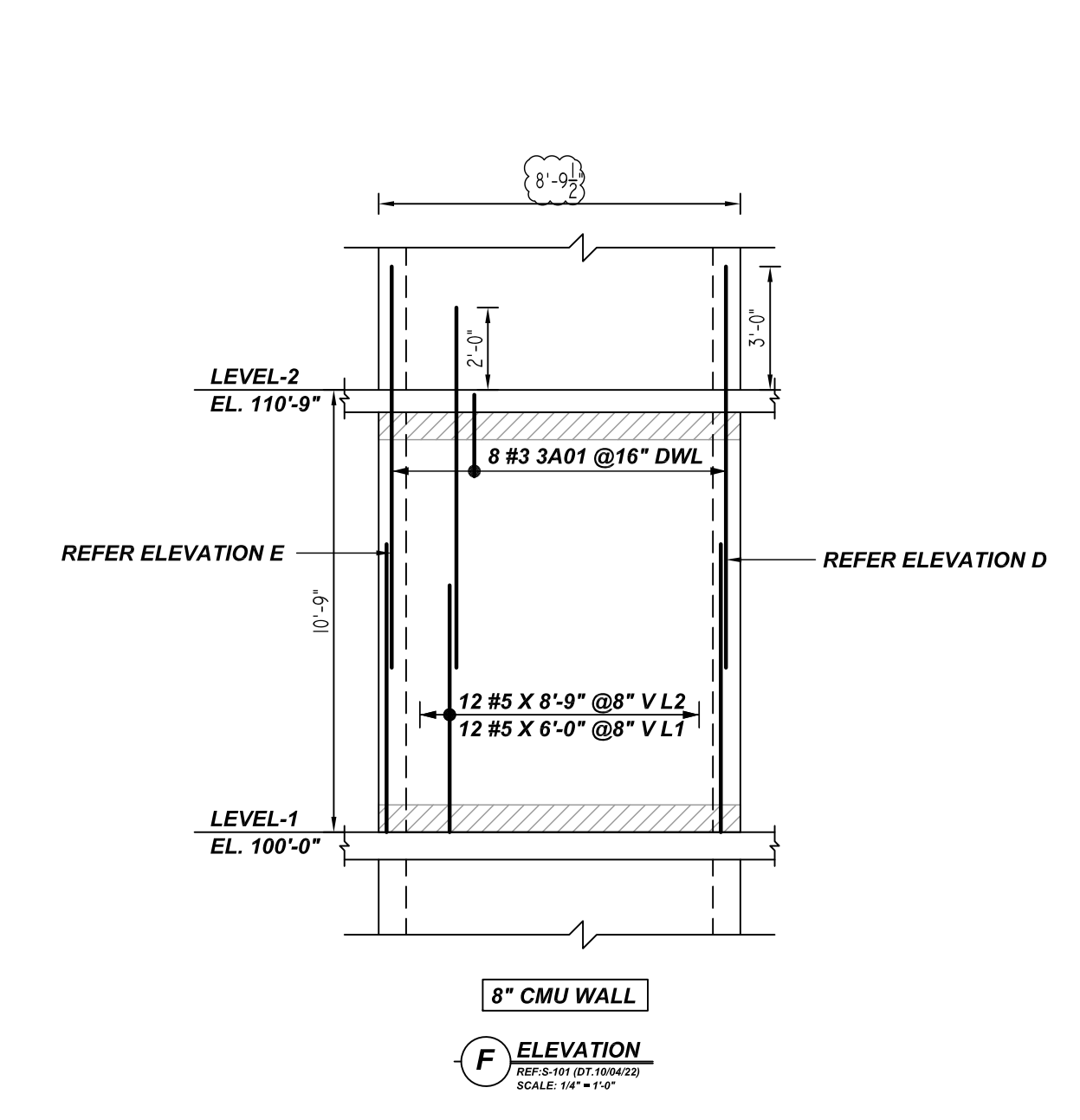
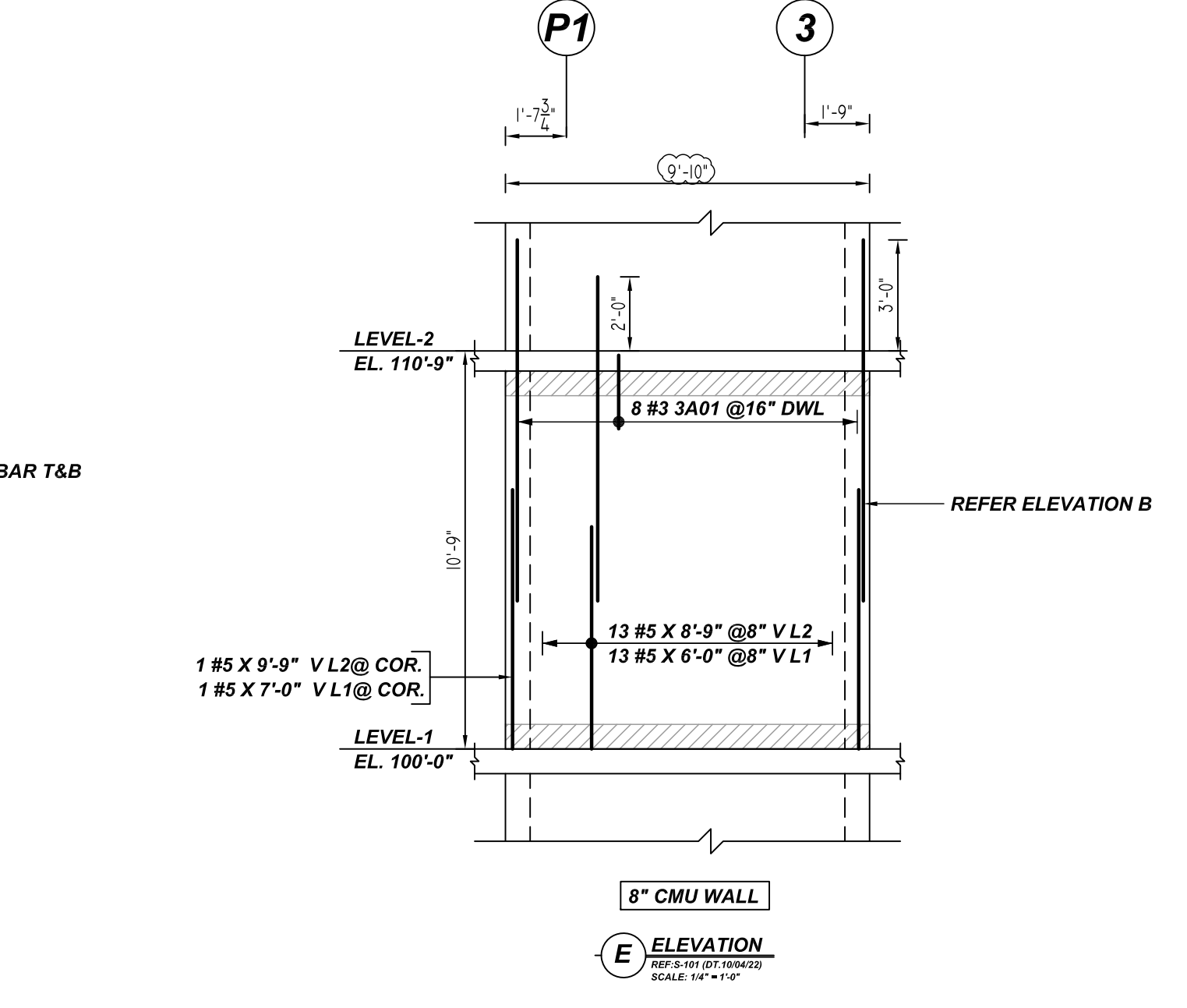
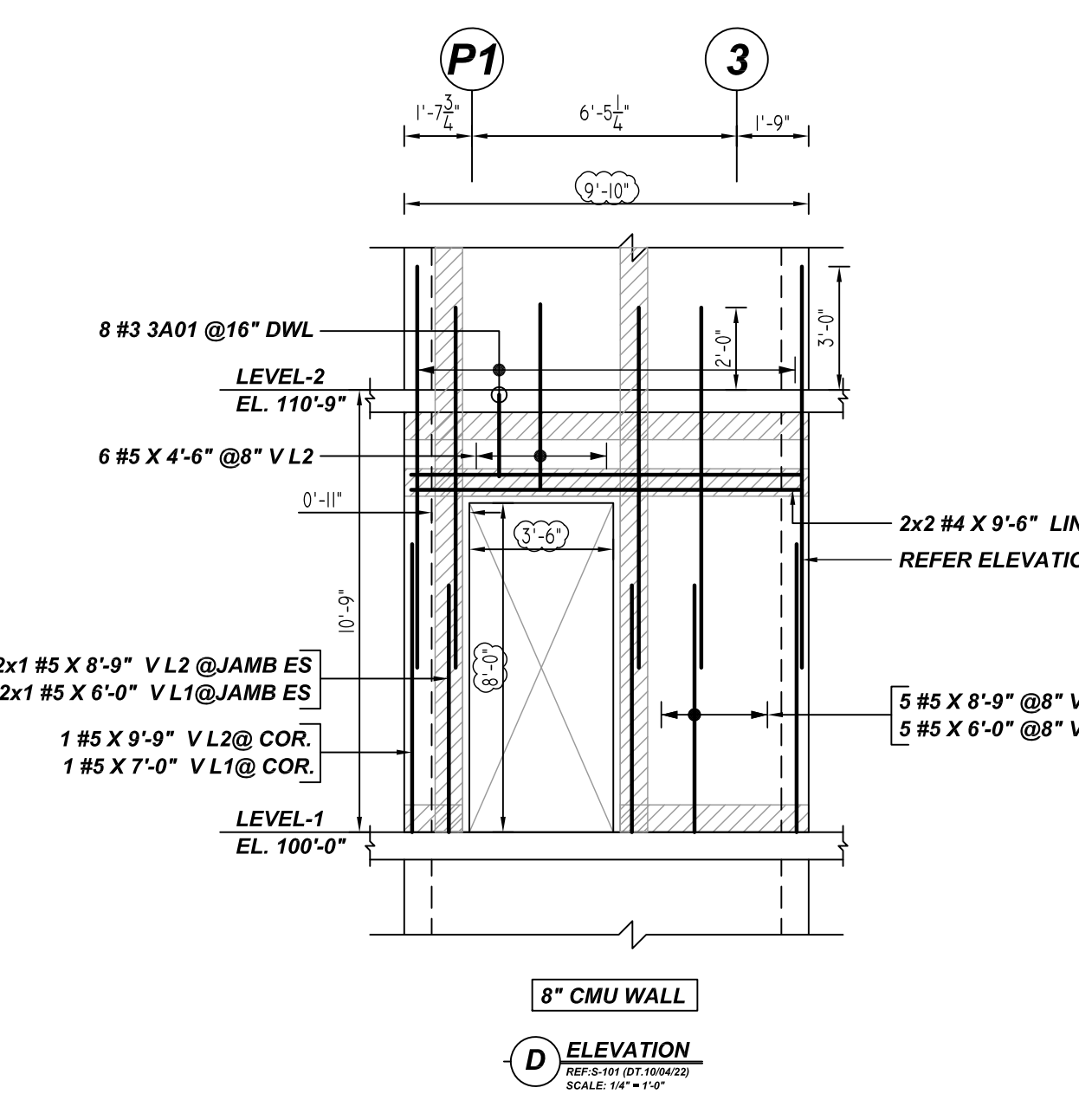
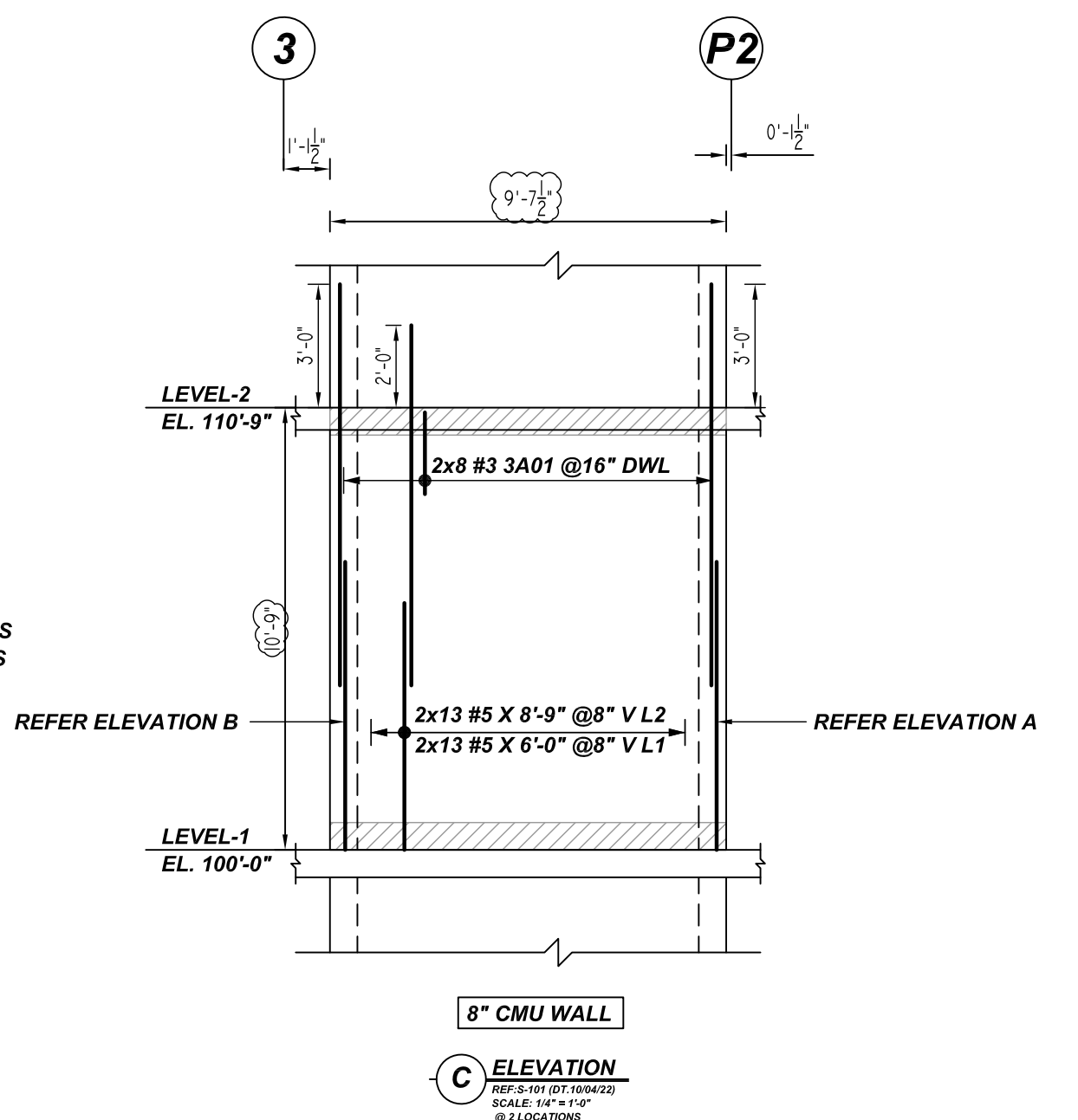
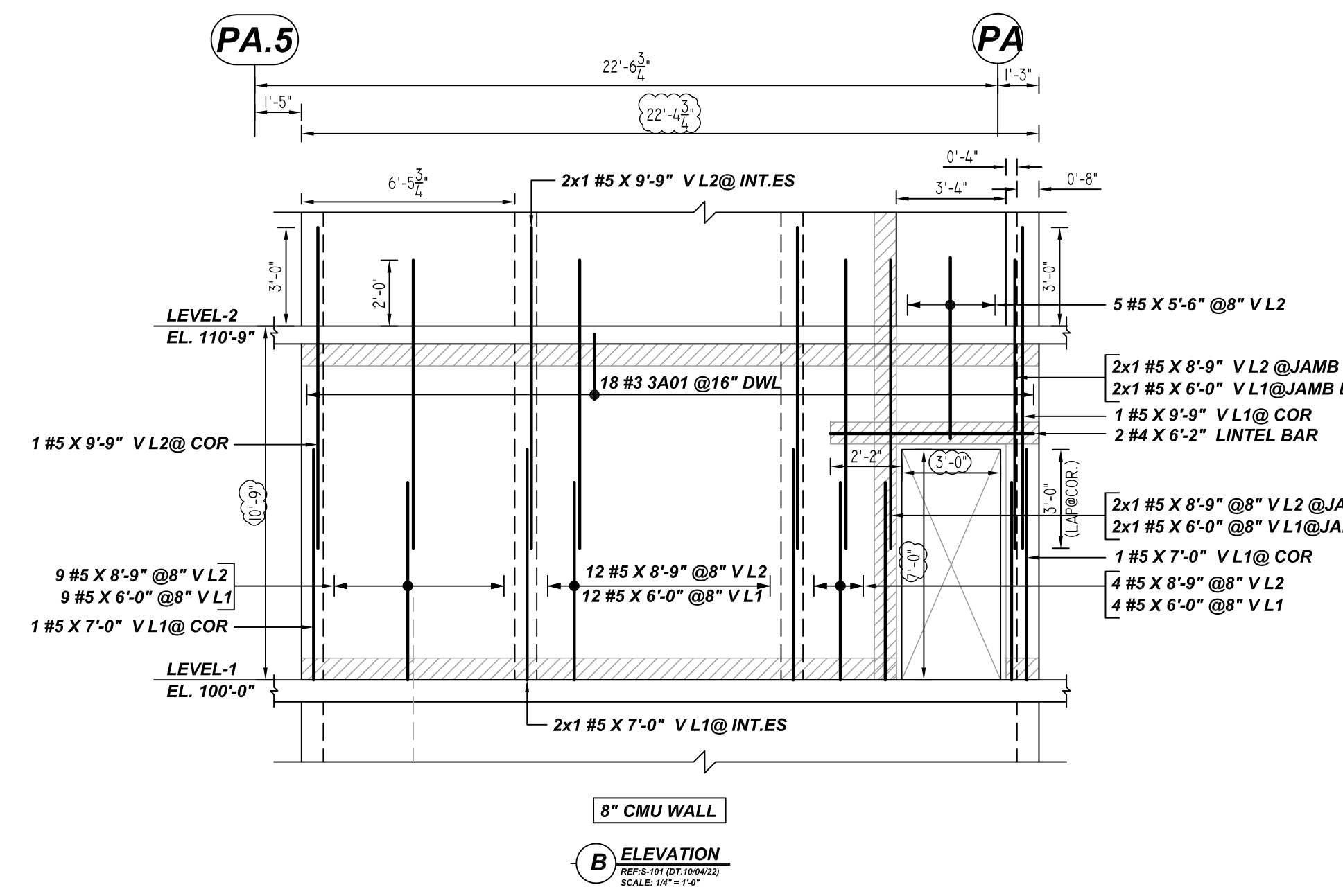
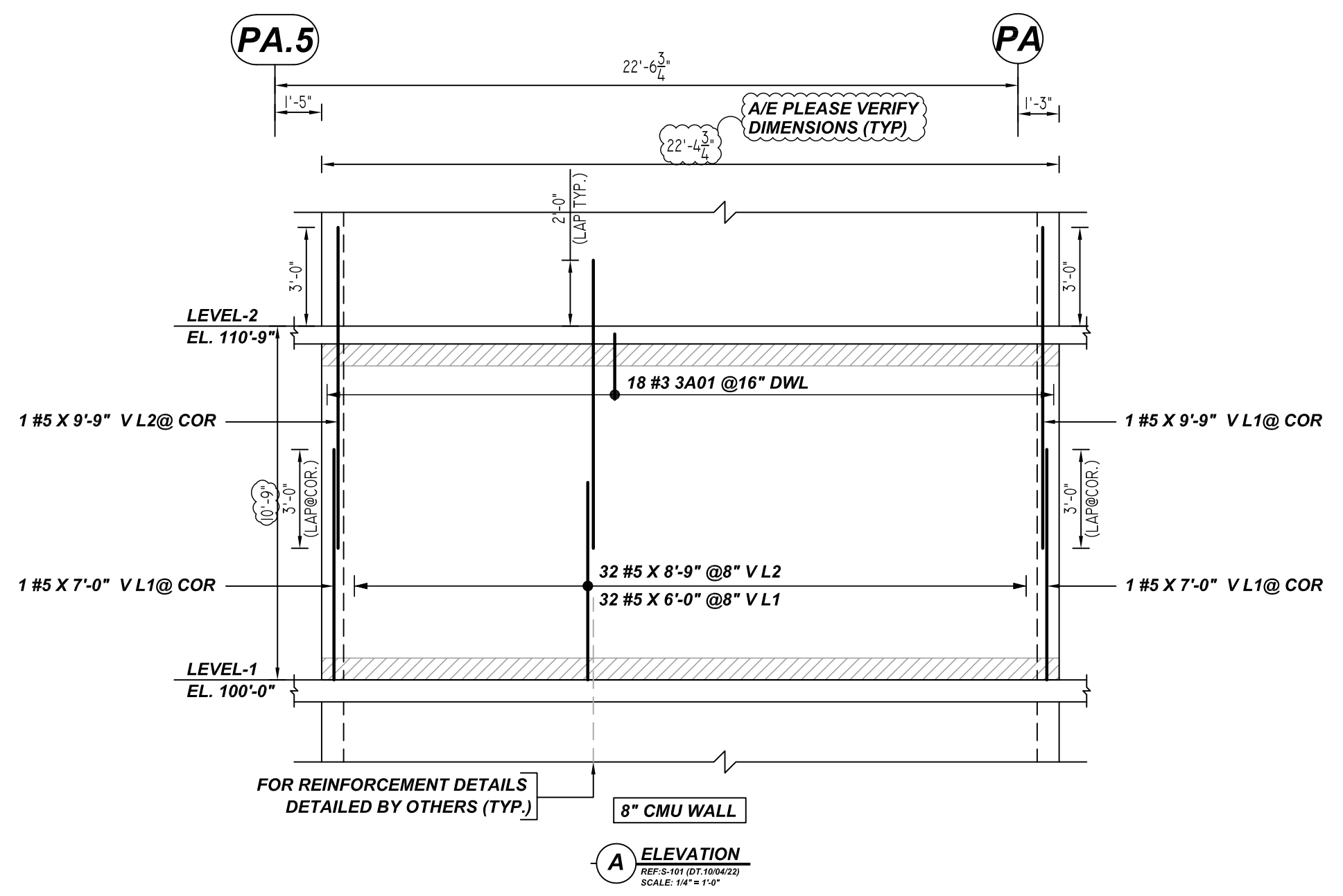
LEGEND

- NO. OF LOCATION
- NO. OF LIFT
- NO. OF BARS
- #5x6'-6" VERTS
- NO. OF LIFT (OR) NO. OF LOCATION
- NO. OF BARS
- 2x1 #5x6'-6" VERTS
- LIFT 1 TO LIFT 6
- 2x1 #5x6'-6" VERTS L1-L6

- PLACING PLAN NOTES**
- THIS DRAWINGS FOR REBAR PLACEMENT ASSISTANCE ONLY, REFER TO STRUCTURAL DETAILS FOR CONTRACT REQUIREMENTS
 - SECTIONS & DETAILS ON PLACING PLAN ARE FOR REFERENCE AND ARE TO BE USED IN CONJUNCTION WITH CONTRACT DRAWING FOR CRSI MANUAL OF STANDARD PRACTICE
 - REINFORCING STEEL IS DETAILED PER CONTRACT DOCUMENTS ONLY AS SHOWN CODE COMPLIANCE REQUIREMENTS ARE THE RESPONSIBILITY OF ENGINEER AND/OR CONTRACTOR
 - THE CONTRACTORS UNDERSTANDS THAT THE ENGINEER SHOULD ALWAYS VERIFY SHOP DRAWINGS IF TIME DOES NOT ALLOW FOR APPROVALS, TEXAS REBAR IS NOT HELD RESPONSIBLE FOR UNAPPROVED SHOP DRAWINGS USED IN PLACING CRSI MANUAL OF STANDARD PRACTICE THE CUSTOMER AND ENGINEER SHOULD REVIEW SHOP DRAWINGS PRIOR TO INSTALLATION TO VERIFY ACCURACY TO STRUCTURAL DRAWINGS.
- PLACING PLAN NOTES**
- DIMENSIONS ELEVATIONS & DRAWINGS SCALES SHOWN ARE FOR REFERENCE ONLY CONTRACTOR TO PROVIDE LINES, GRADES & TEMPLATES REQUIRED FOR PLACEMENTS
 - SECTIONS & DETAILS MAY NOT BE SHOWN ON ALL PLACING PLANS. KEEP STRUCTURAL DRAWINGS ON SITE FOR USE
 - SOME LAP LENGTHS WILL BE ROUNDED UP IN DETAILING TO PROVIDE 1" INCREMENTS FOR LAPS
 - LAP OR EMBEDMENT LENGTHS SHOWN IN SPECIFIC DETAILS WILL SUPPRESS LAPS IN THE LAP SCHEDULE
 - VERIFY PLACEMENT DRAWINGS TO LATEST ISSUE OF JOB RECORD DRAWING FOR POSSIBLE REVISIONS OR FIELD CHANGES
 - TYPICAL NOTES & DETAILS ARE USED THROUGHOUT ENTIRE PROJECT & APPLY UNLESS NOTED OTHERWISE.

NO.	REVISION	DESCRIPTION	DATE
0	FOR APPROVAL		10-12-22

JOB NAME: CULTURAL DISTRICT MULTIFAMILY B
JOB NO: 22126
DETAILS OF: LEVEL 1 TO 2 CMU WALL REINFORCEMENT DETAILS
DATE: 10-12-22
DETAILER: SSSTR
DRWG: M01
TEXAS REBAR, LLC 817-487-1672



PLACING PLAN NOTES

- THIS DRAWINGS FOR REBAR PLACEMENT ASSISTANCE ONLY, REFER TO STRUCTURAL DETAILS FOR CONTRACT REQUIREMENTS
- SECTIONS/DETAILS DIMENSIONS ON PLACING PLAN ARE FOR REFERENCE AND ARE TO BE USED IN CONJUNCTION WITH CONTRACT DRAWING FOR CRSI MANUAL OF STANDARD PRACTICE
- REINFORCING STEEL IS DETAILED PER CONTRACT DOCUMENTS ONLY AS SHOWN CODE COMPLIANCE REQUIREMENTS ARE THE RESPONSIBILITY OF ENGINEER AND/OR CONTRACTOR
- THE CONTRACTOR UNDERSTANDS THAT THE ENGINEER SHOULD ALWAYS VERIFY SHOP DRAWINGS IF TIME DOES NOT ALLOW FOR APPROVALS, TEXAS REBAR IS NOT HELD RESPONSIBLE FOR UNAPPROVED SHOP DRAWINGS USED IN PLACING CRSI MANUAL OF STANDARD PRACTICE THE CUSTOMER AND ENGINEER SHOULD REVIEW SHOP DRAWINGS PRIOR TO INSTALLATION TO VERIFY ACCURACY TO STRUCTURAL DRAWINGS.

PLACING PLAN NOTES

- DIMENSIONS ELEVATIONS & DRAWINGS SCALES SHOWN ARE FOR REFERENCE ONLY CONTRACTOR TO PROVIDE LINES, GRADES & TEMPLATES REQUIRED FOR PLACEMENTS
- SECTIONS & DETAILS MAY NOT BE SHOWN ON ALL PLACING PLANS. KEEP STRUCTURAL DRAWINGS ON SITE FOR USE
- SOME LAP LENGTHS WILL BE ROUNDED UP IN DETAILING TO PROVIDE FOR 1" INCREMENTS FOR LAPS
- LAP OR EMBEDMENT LENGTHS SHOWN IN SPECIFIC DETAILS WILL SUPPRESS LAPS IN THE LAP SCHEDULE
- VERIFY PLACEMENT DRAWINGS TO LATEST ISSUE OF JOB RECORD DRAWING FOR POSSIBLE REVISIONS OR FIELD CHANGES
- TYPICAL NOTES & DETAILS ARE USED THROUGHOUT ENTIRE PROJECT & APPLY UNLESS NOTED OTHERWISE.

A/E PLEASE VERIFY LAP VALUE FOLLOWED

LAP SCHEDULE
8" CMU WALL (2000 PSI)

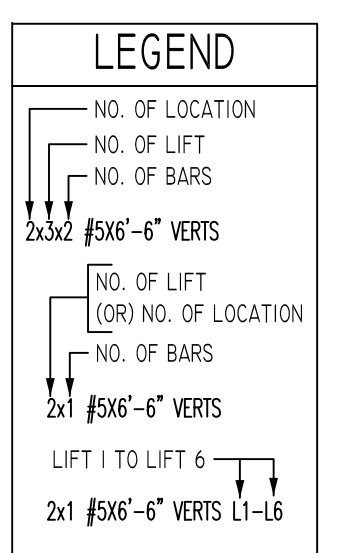
BAR #	HORIZ OR EDGE VERT	CENTER VERT
#4	24"	16"
#5	36"	24"
#6	54"	45"
#7	64"	62"
#8	72"	72"

A/E PLEASE VERIFY CLEAR COVER FOLLOWED

TYPICAL REINFORCING BAR CLEARANCE TABLE

LOCATION	MIN. COVER
CMU WALL TOP & SIDES	2" CLR

**ALL BARS IN THIS DRAWING
ASTM A615 GRADE 60
BLACK UNCOATED**



Release Number: M02

Bar Mark	Qty	Size	Total Length	Type	X	Y	Z	BENDING DETAILS																
3A01	76	#5	4'-0"	17	X	Y	Z	1	2	3	4	5	6	7	8	9	10	11	12	13	14	15	16	17

NO.	REVISION	DESCRIPTION	MADE	DATE
			BY	DATE
0				

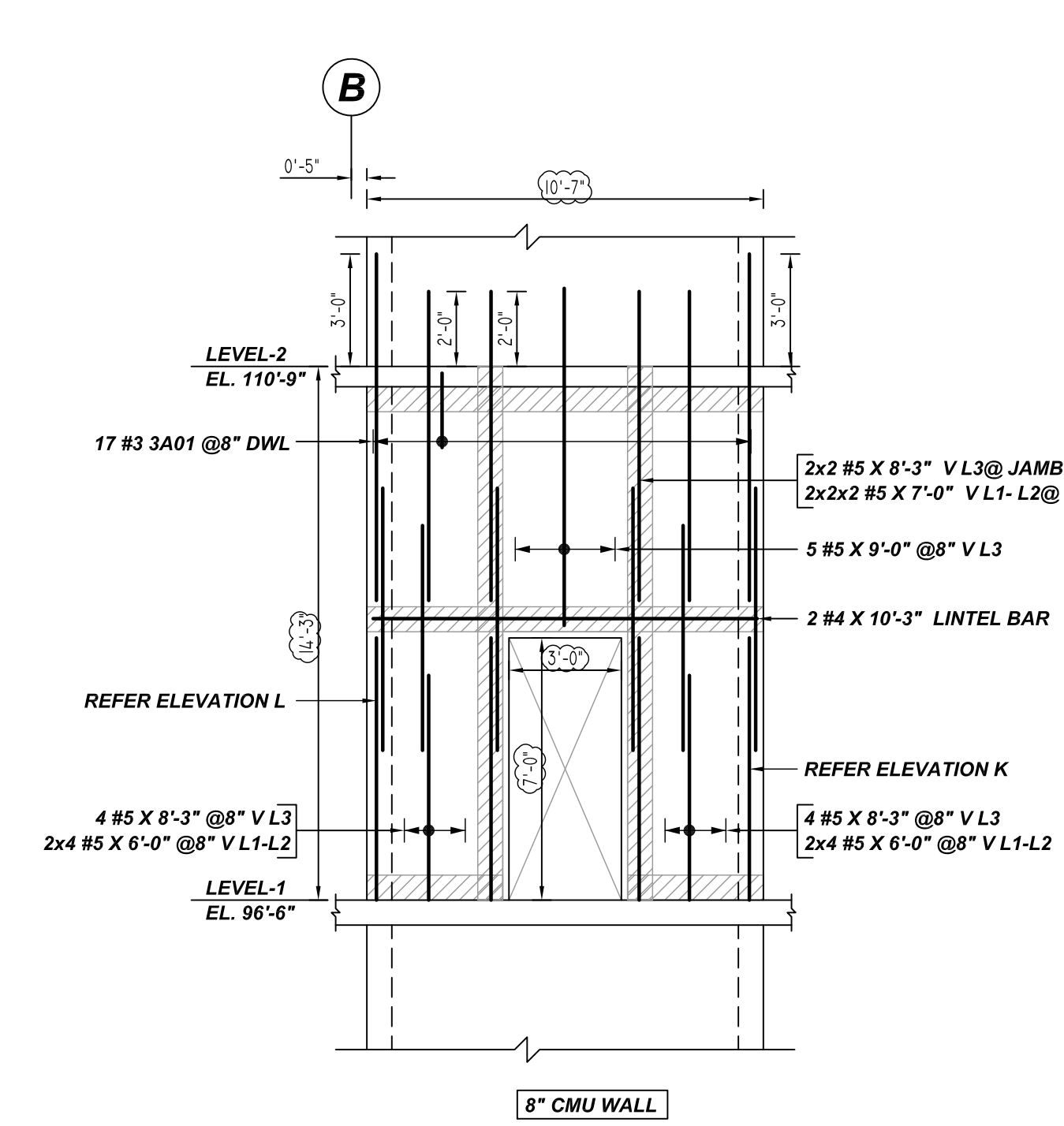
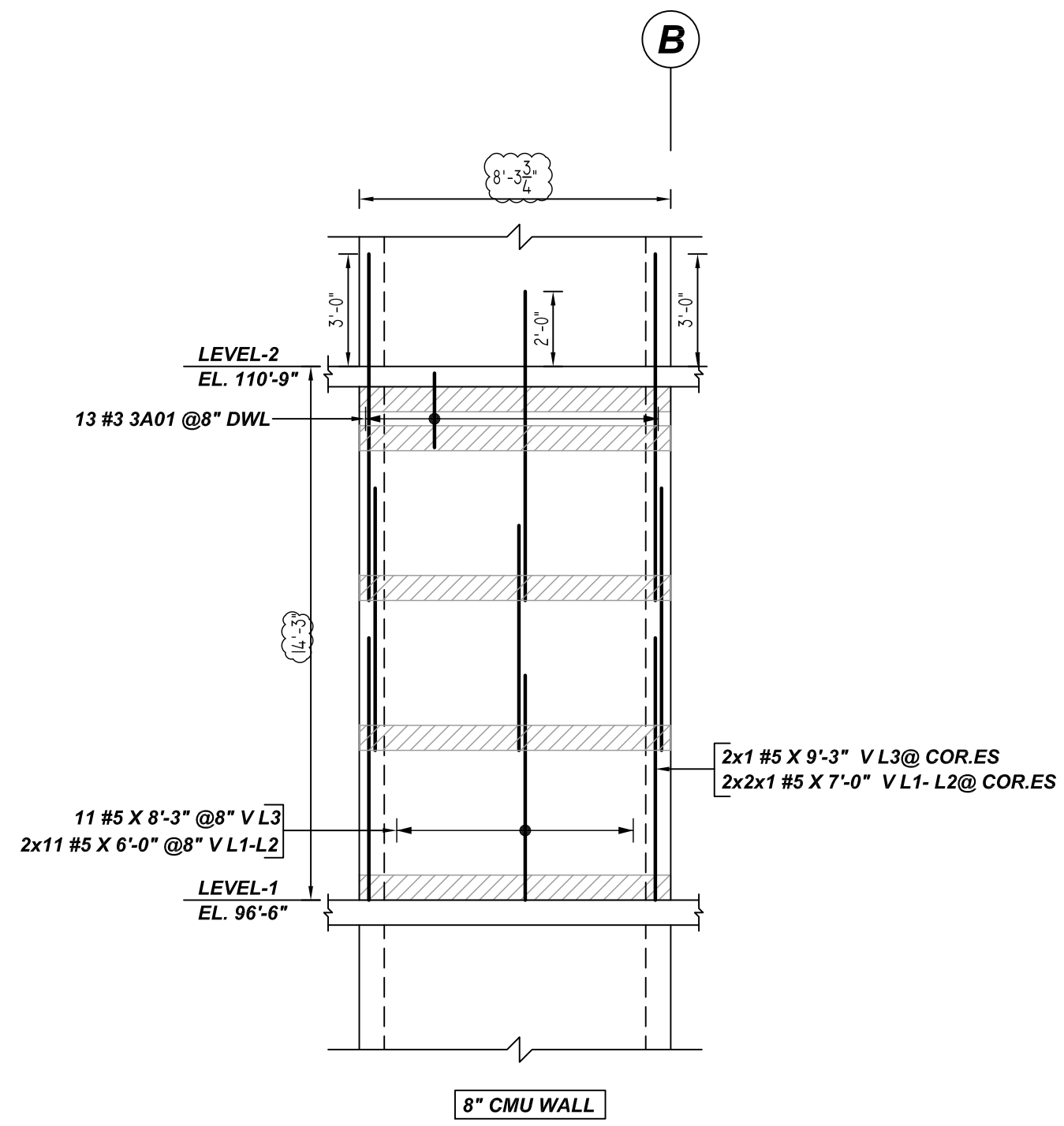
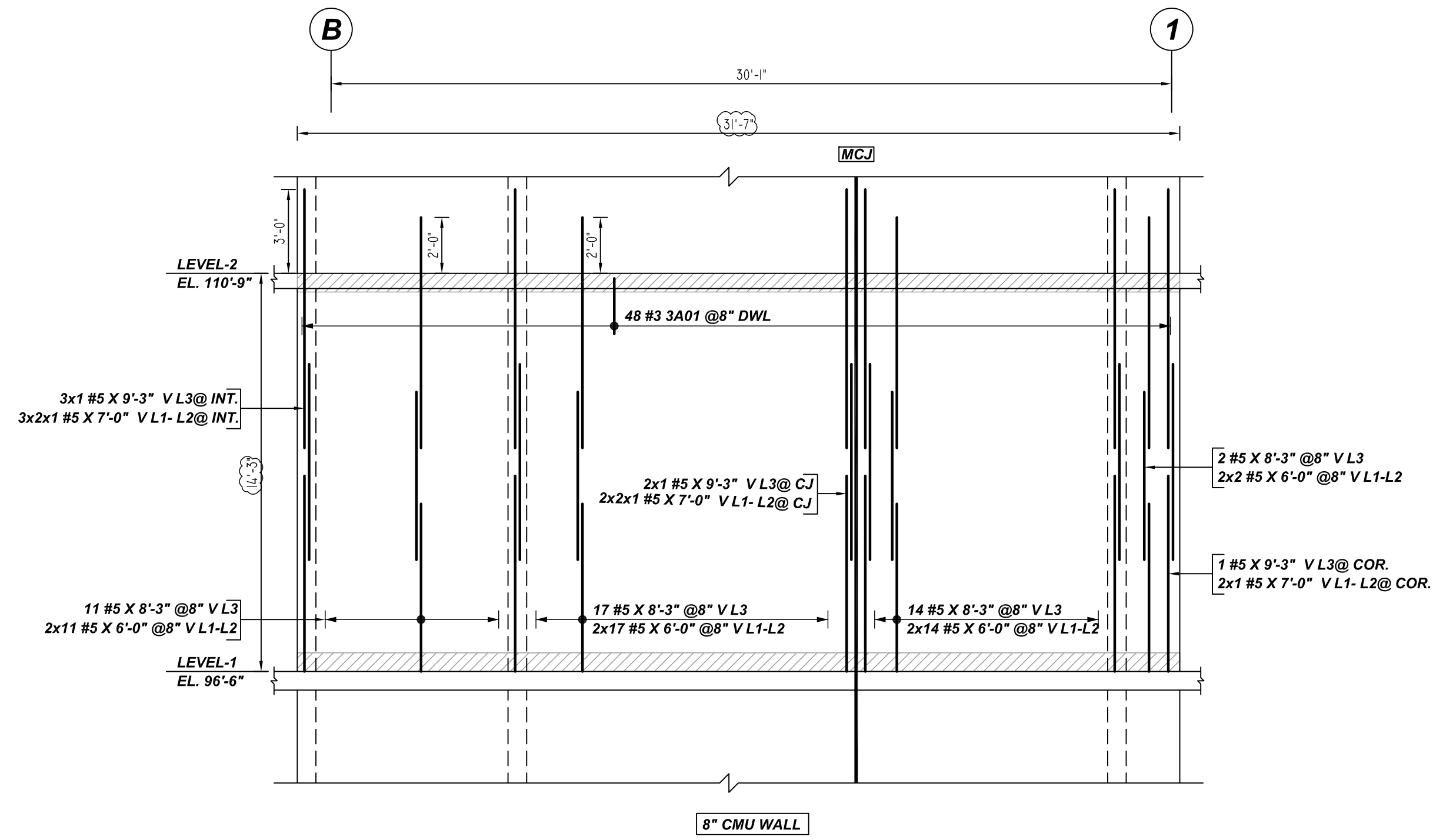
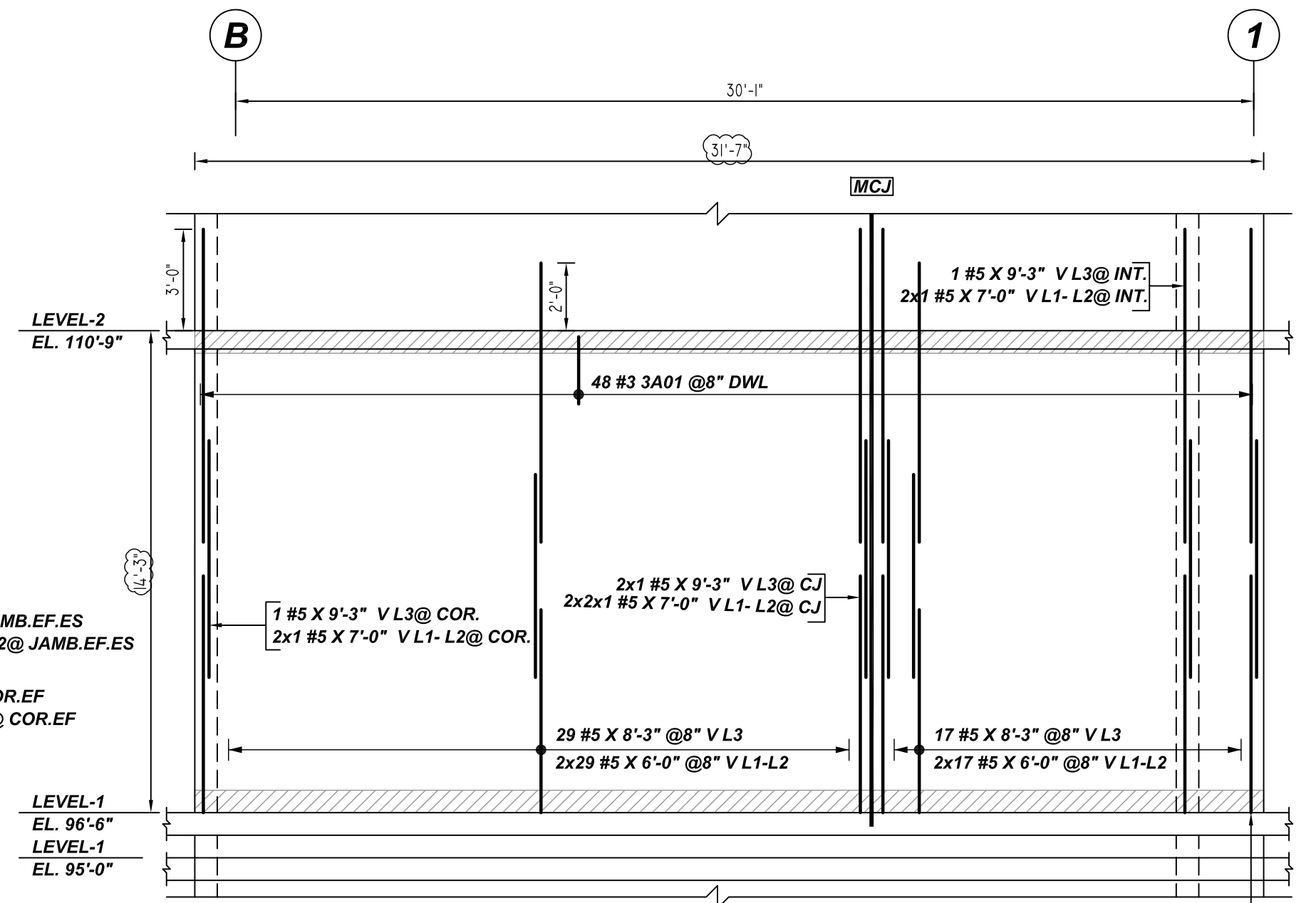
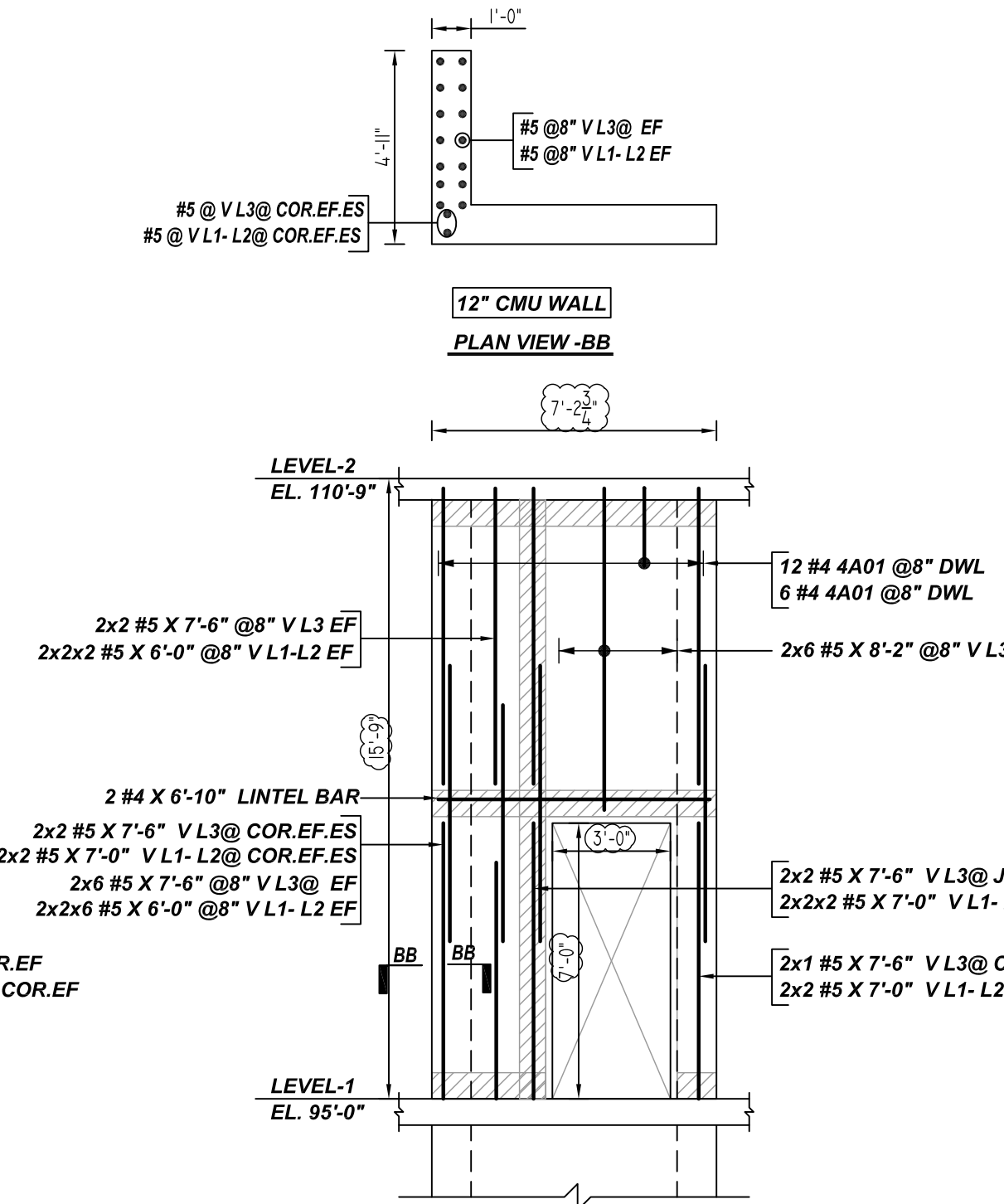
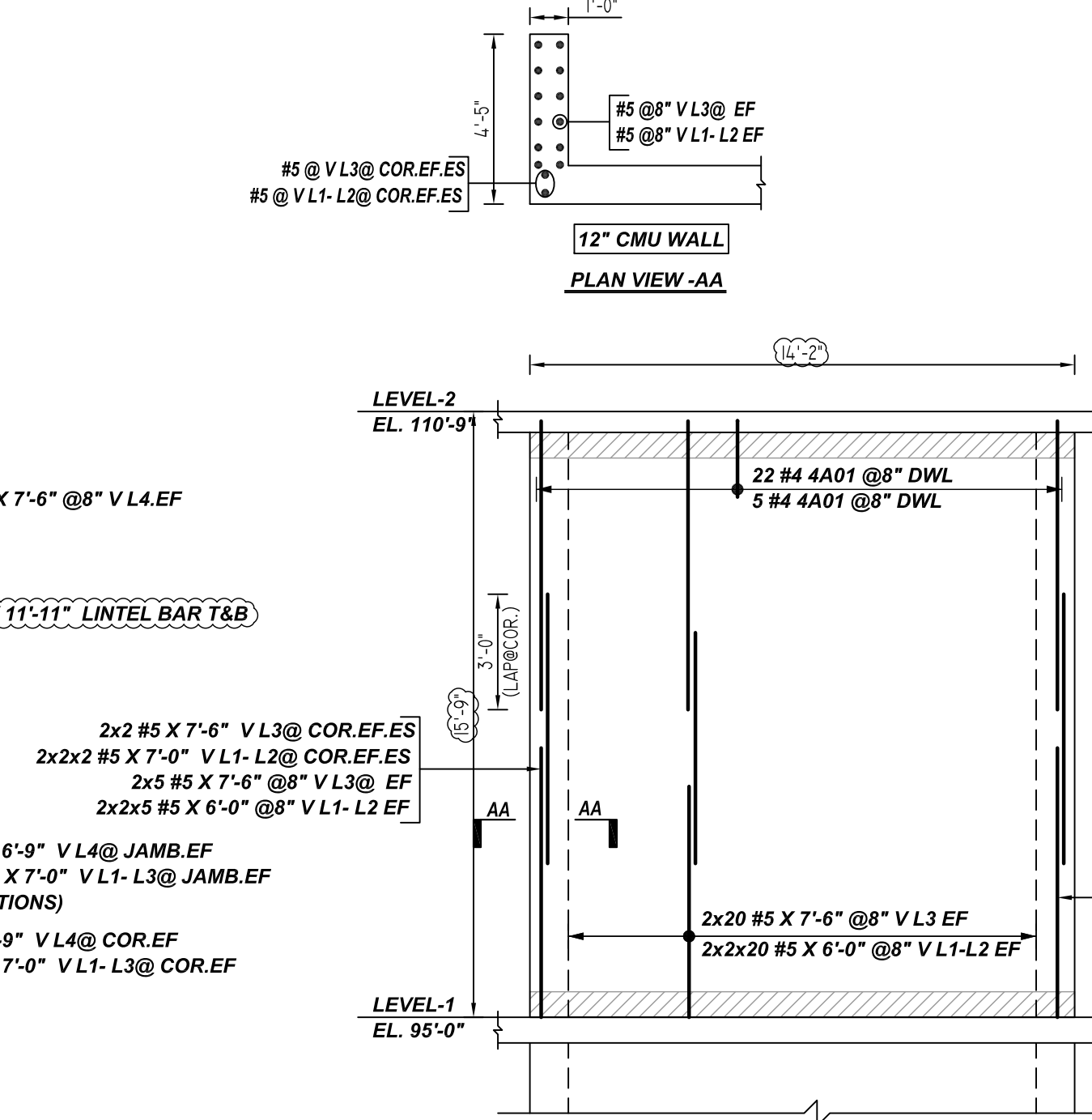
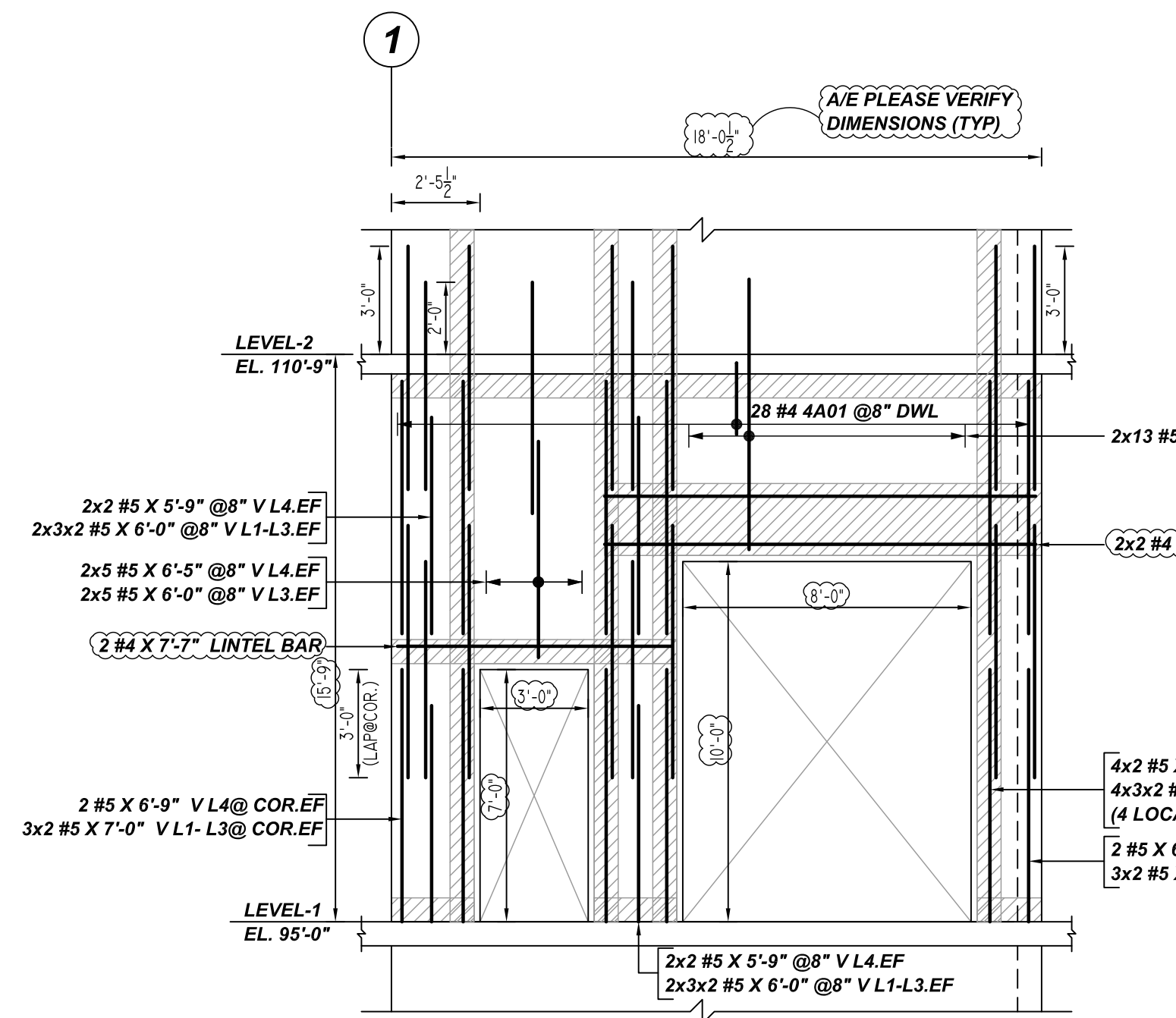
JOB NAME: CULTURAL DISTRICT MULTIFAMILY B

JOB NO: 22126

DETAILS OF: LEVEL 1 TO 2 CMU WALL REINFORCEMENT DETAILS DATE: 10-12-22

DETAILER: SSSTR DRWG: M02

TEXAS REBAR, LLC 817-487-1672



- PLACING PLAN NOTES**
- THIS DRAWINGS FOR REBAR PLACEMENT ASSISTANCE ONLY, REFER TO STRUCTURAL DETAILS FOR CONTRACT REQUIREMENTS
 - SECTIONS/DETAILS DIMENSIONS ON PLACING PLAN ARE FOR REFERENCE AND ARE TO BE USED IN CONJUNCTION WITH CONTRACT DRAWING FOR CRSI MANUAL OF STANDARD PRACTICE
 - REINFORCING STEEL IS DETAILED PER CONTRACT DOCUMENTS ONLY AS SHOWN CODE COMPLIANCE REQUIREMENTS ARE THE RESPONSIBILITY OF ENGINEER AND/OR CONTRACTOR.
 - THE CONTRACTOR UNDERSTANDS THAT THE ENGINEER SHOULD ALWAYS VERIFY SHOP DRAWINGS IF TIME DOES NOT ALLOW FOR APPROVALS, TEXAS REBAR IS NOT HELD RESPONSIBLE FOR UNAPPROVED SHOP DRAWINGS USED IN PLACING CRSI MANUAL OF STANDARD PRACTICE THE CUSTOMER AND ENGINEER SHOULD REVIEW SHOP DRAWINGS PRIOR TO INSTALLATION TO VERIFY ACCURACY TO STRUCTURAL DRAWINGS.
- PLACING PLAN NOTES**
- DIMENSIONS ELEVATIONS & DRAWINGS GRADES SHOWN ARE FOR REFERENCE ONLY CONTRACTOR TO PROVIDE LINES, GRADES & TEMPLATES REQUIRED FOR PLACEMENTS
 - SECTIONS & DETAILS MAY NOT BE SHOWN ON ALL PLACING PLANS. KEEP STRUCTURAL DRAWINGS ON SITE FOR USE
 - SOME LAP LENGTHS WILL BE ROUNDED UP IN DETAILING TO PROVIDE FOR 1" INCREMENTS FOR LAPS.
 - LAP OR EMBEDMENT LENGTHS SHOWN IN SPECIFIC DETAILS WILL SUPPRESS LAPS IN THE LAP SCHEDULE
 - VERIFY PLACEMENT DRAWINGS TO LATEST ISSUE OF JOB RECORD DRAWING FOR POSSIBLE REVISIONS OR FIELD CHANGES.
 - TYPICAL NOTES & DETAILS ARE USED THROUGHOUT ENTIRE PROJECT & APPLY UNLESS NOTED OTHERWISE.

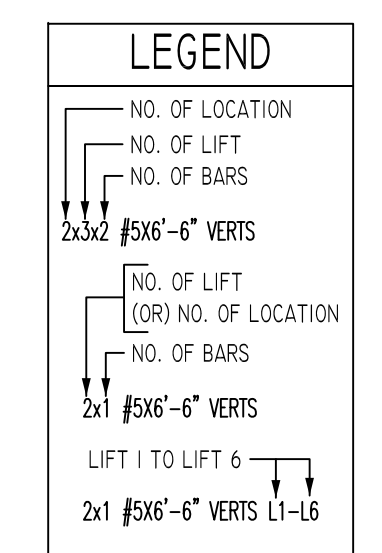
LAP SCHEDULE
 8" CMU WALL (2000 PSI)

BAR #	HORIZ OR EDGE VERT	CENTER VERT
#4	24"	16"
#5	36"	24"
#6	54"	45"
#7	64"	62"
#8	72"	72"

TYPICAL REINFORCING BAR CLEARANCE TABLE

LOCATION	MIN. COVER
CMU WALL TOP & SIDES	2" CLR

**ALL BARS IN THIS DRAWING
 ASTM A615 GRADE 60
 BLACK UNCOATED**



Release Number: M03

Bar No.	Qty	Size	Total Length	Type	X	Y	Z	W	V	U	T	S	R	Q	P	O	N	M	L	K	J	I	H	G	F	E	D	C	B	A
3A01	128	#3	4'-0"	17																										
4A01	73	#4	4'-0"	17																										

NO.	REVISION	DESCRIPTION	DATE	BY
			DATE	BY
0			10-12-22	

REVISION

NO. OF APPROVAL

DATE: 10-12-22

DRWG: M03

JOB NAME: CULTURAL DISTRICT MULTIFAMILY B

JOB NO: 22126

DETAILS OF: LEVEL 1 TO 2 CMU WALL REINFORCEMENT DETAILS

DATE: 10-12-22

DETAILER: SSSTR

DRWG: M03

TEXAS REBAR, LLC 817-487-1672

