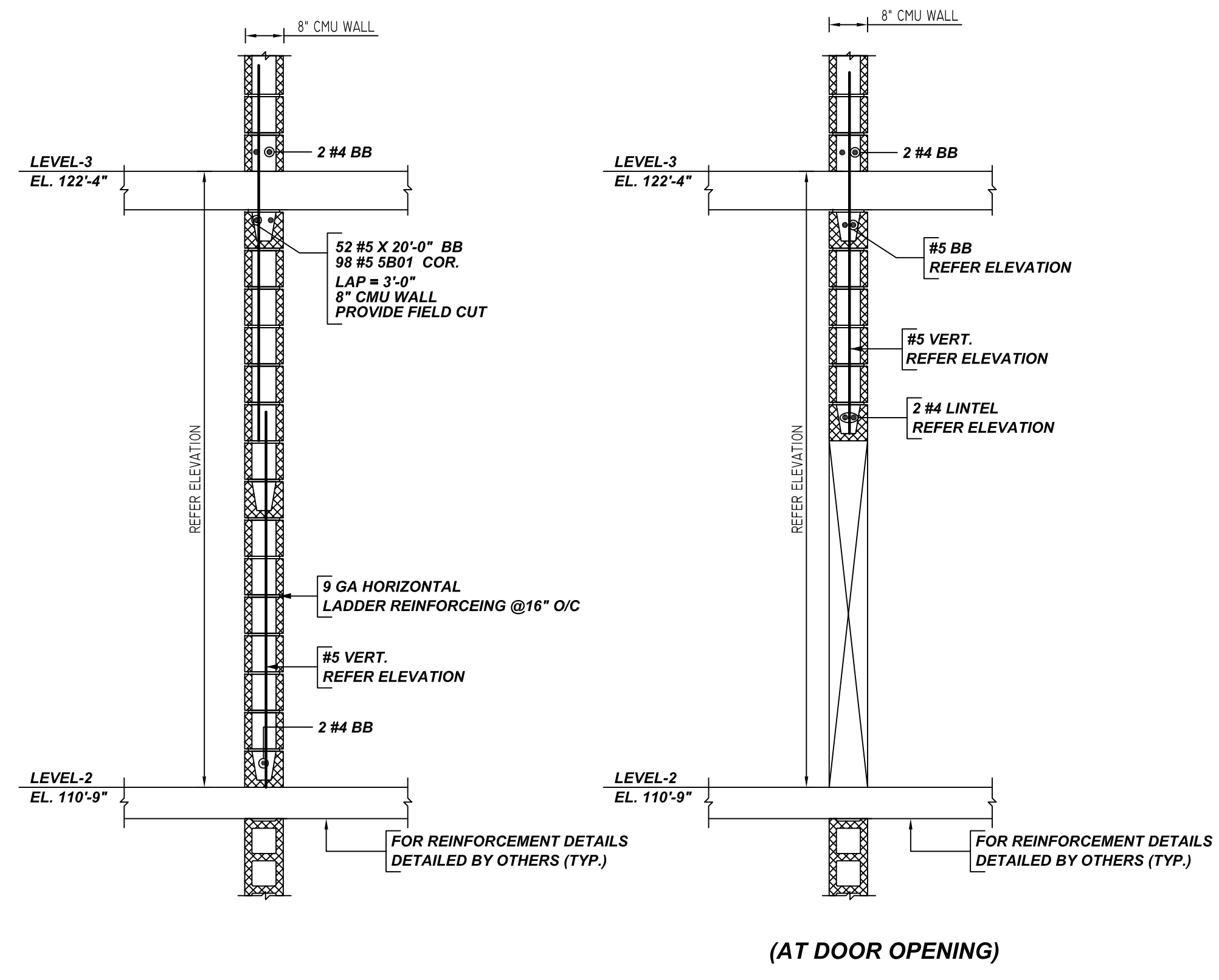


**LEVEL 2 TO 3 - CMU WALL LAYOUT**  
 REF: S-102 (DT. 8/30/22)  
 SCALE: 1/12" = 1'-0"



**TYPICAL CMU WALL DETAILS**  
 REF: S-401 (DT. 08/30/22)  
 SCALE: 1/2" = 1'-0"

**ACCESSORIES DETAILS**

S. NO	ELEMENT	DESCRIPTION	PCS	LFT	REMARK
1	8" CMU WALL	9 GA HORIZONTAL LADDER REINFORCING @ 16" O/C	-	1400	-
1	8" CMU WALL	12 GA HORIZONTAL LADDER REINFORCING @ 16" O/C	-	130	-

**LAP SCHEDULE**  
 8" CMU WALL (2000 PSI)

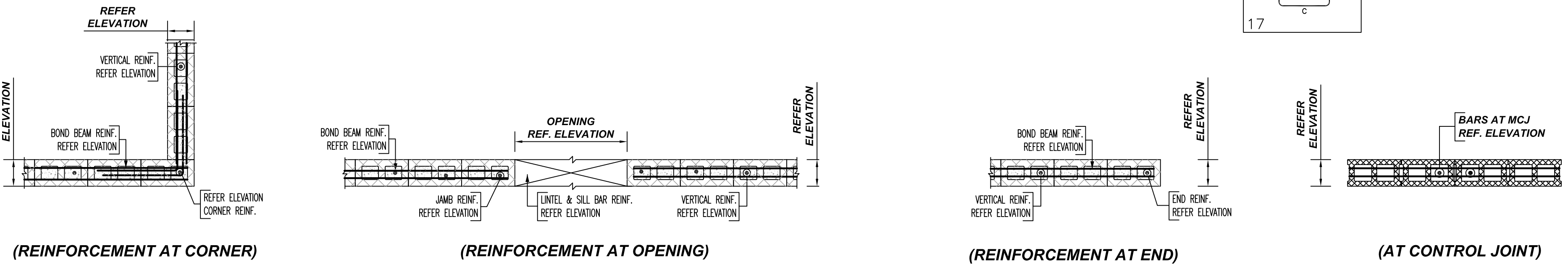
BAR #	HORIZ OR EDGE VERT	CENTER VERT
#4	24"	16"
#5	36"	24"
#6	54"	45"
#7	64"	62"
#8	72"	72"

**TYPICAL REINFORCING BAR CLEARANCE TABLE**

LOCATION	MIN. COVER
CMU WALL TOP & SIDES	2" CLR

**ALL BARS IN THIS DRAWING**  
 ASTM A615 GRADE 60  
 BLACK UNCOATED

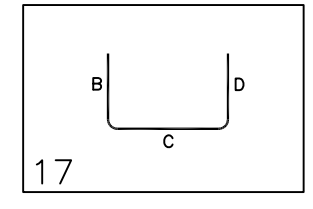
**TYPICAL VERTICAL BAR LAPPING DETAIL**



**TYPICAL CMU WALL REINFORCEMENT DETAILS**  
 REF: S-401 (DT. 08/30/22)  
 SCALE: 1/2" = 1'-0"

Rebar Number: M05

Bar Mark	Qty	Size	Total Length	Type	X	Y	Z	BENDING DETAILS
5001	98	#5	6'-0"	17				3'-0"



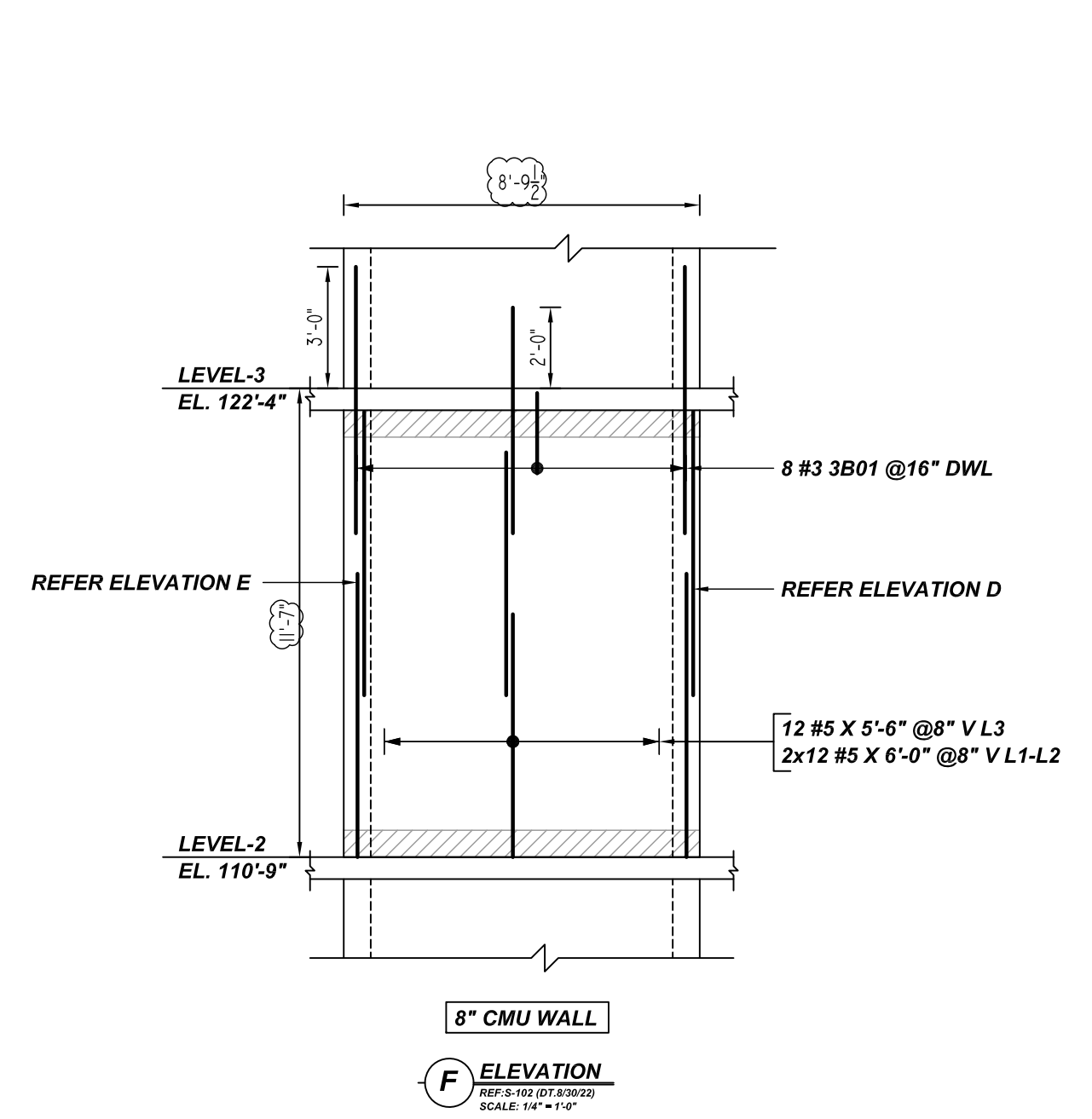
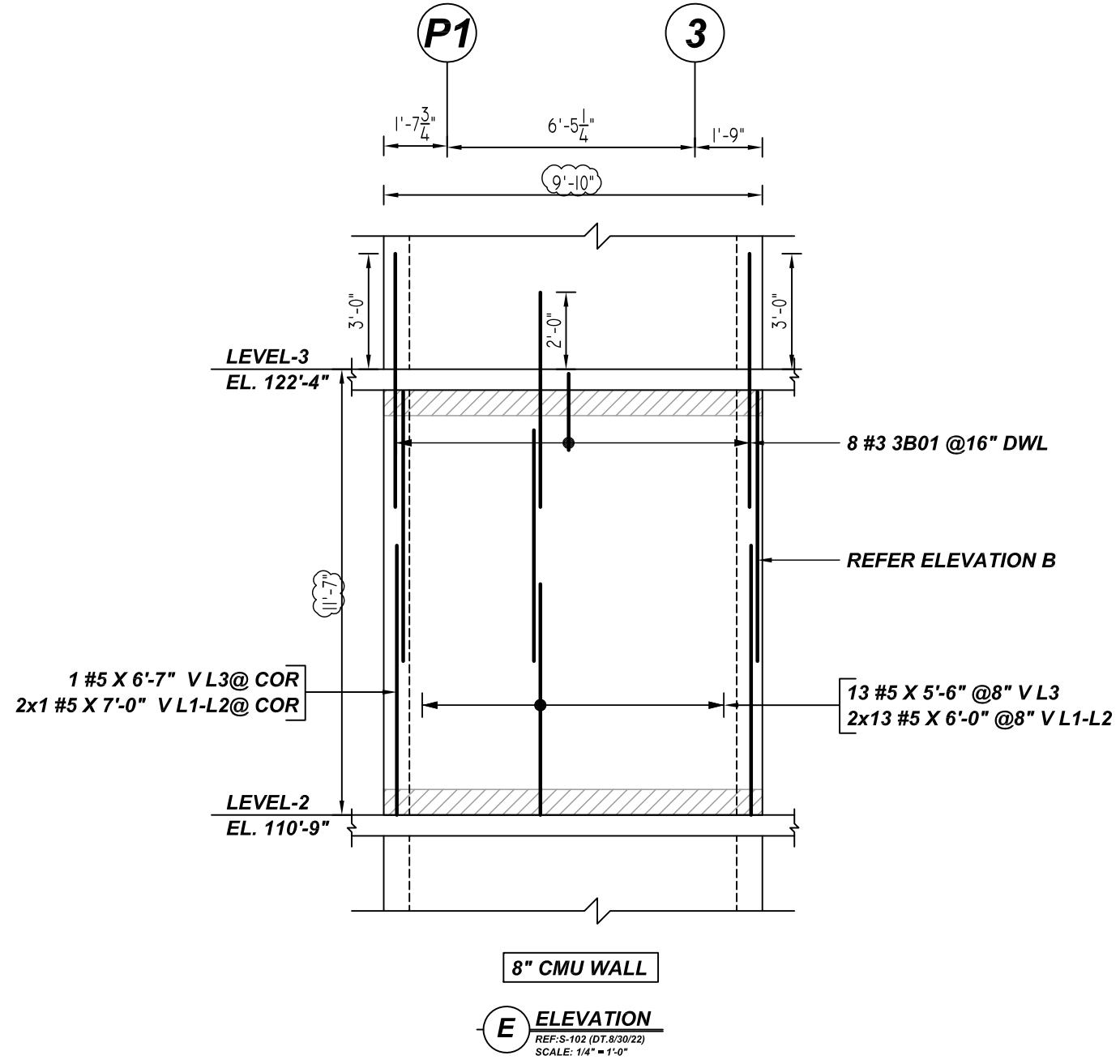
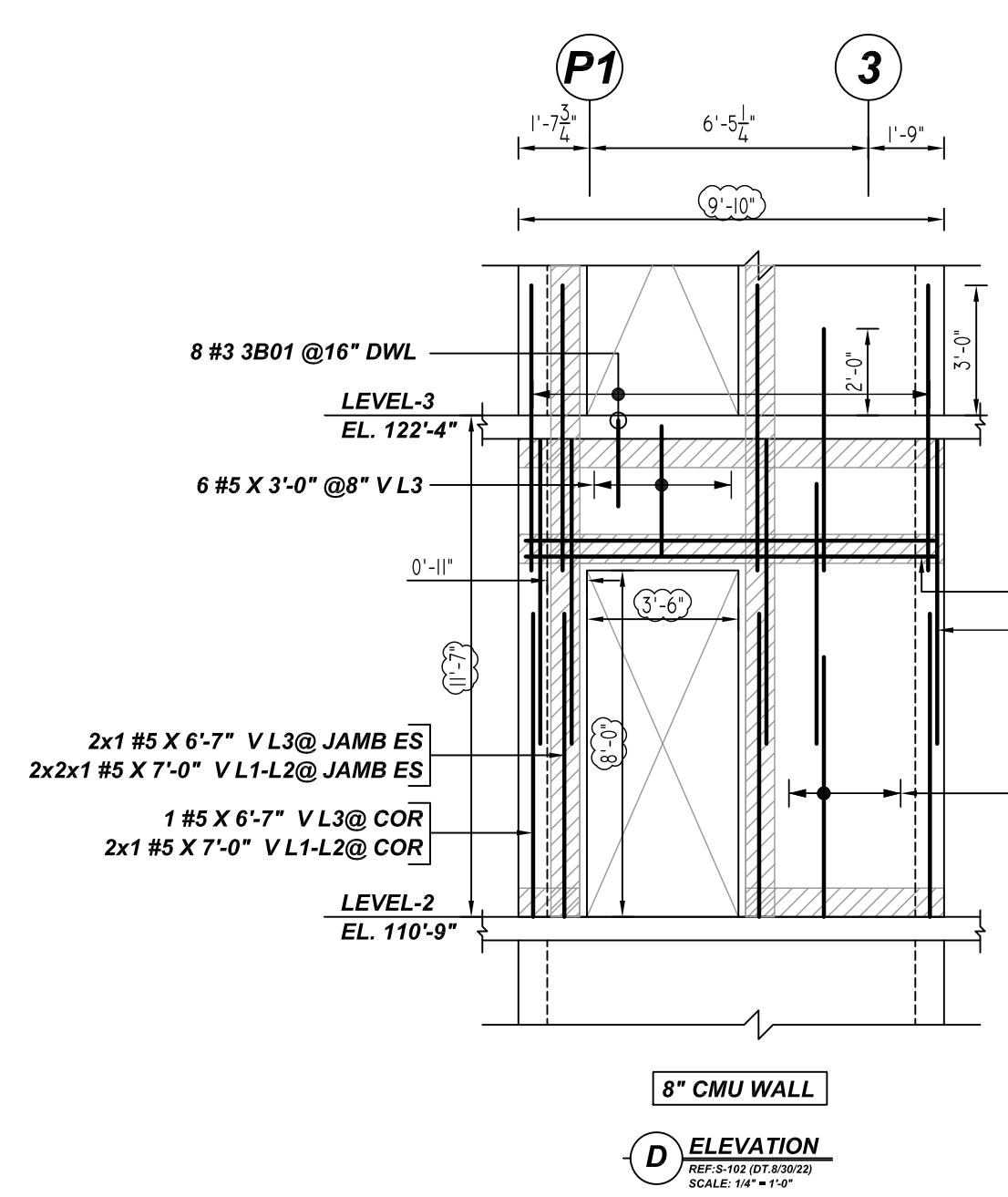
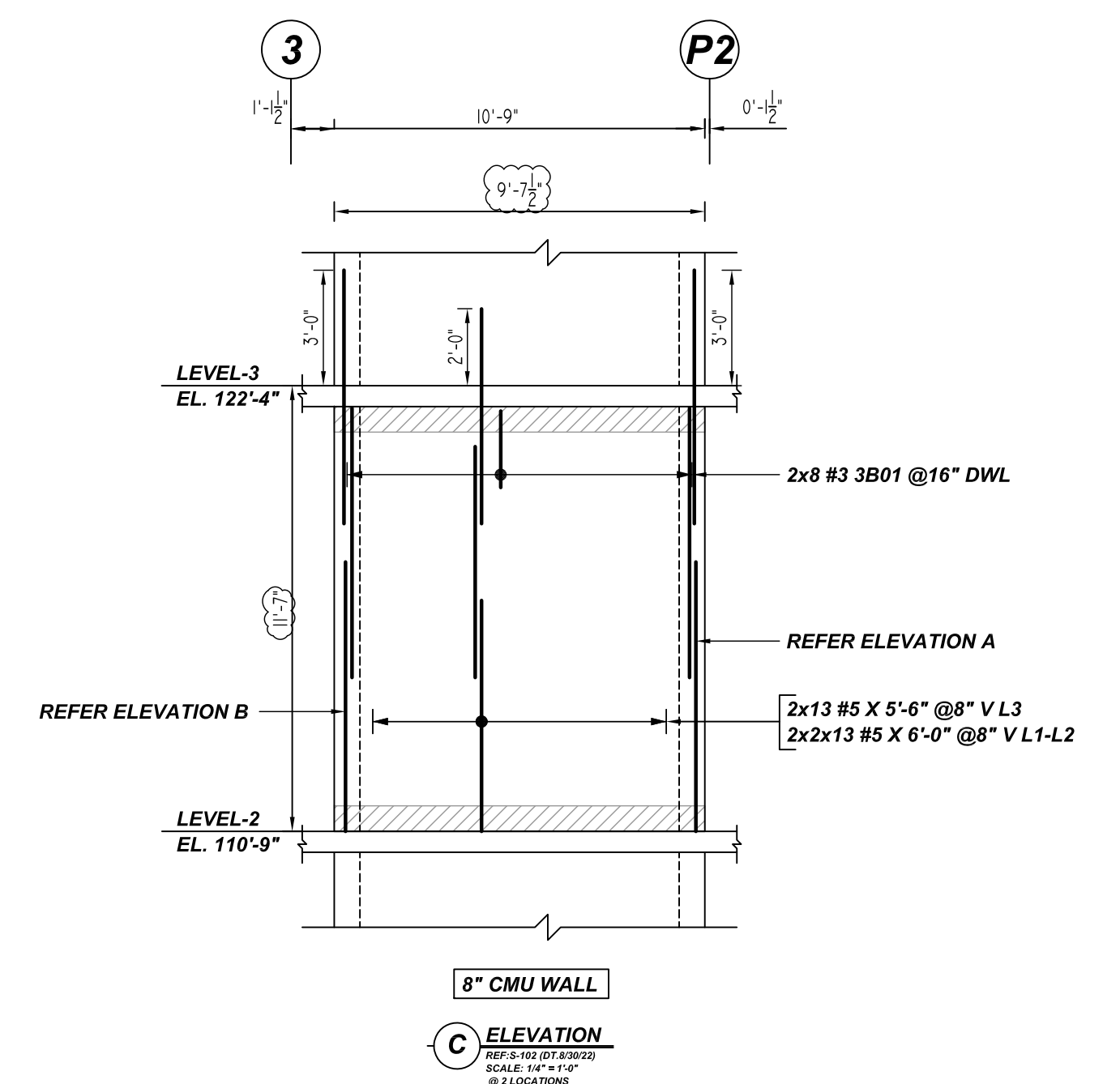
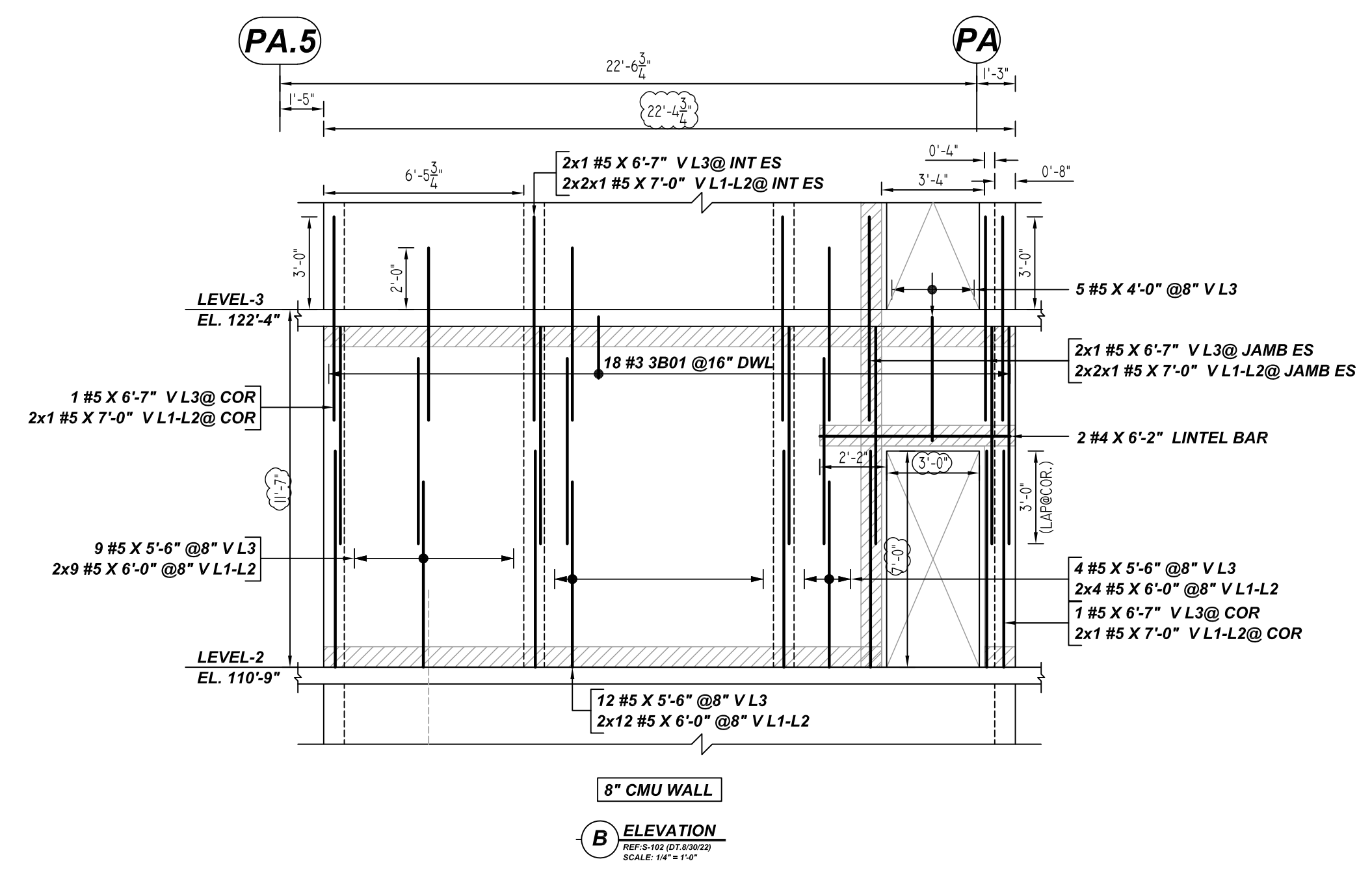
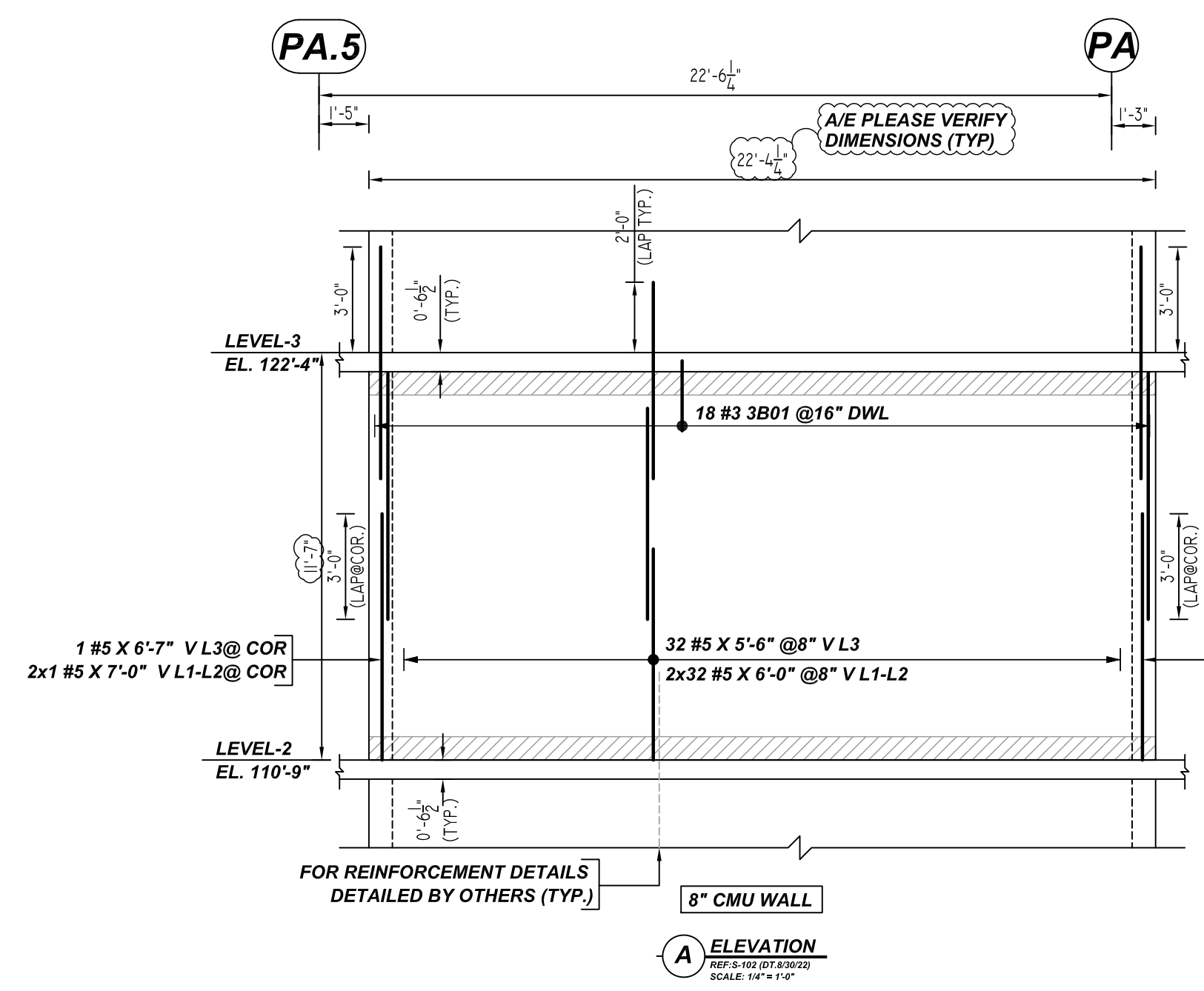
**LEGEND**

- NO. OF LOCATION
- NO. OF LIFT
- NO. OF BARS
- 2x3x2 #5x6'-6" VERTS
- NO. OF LIFT (OR) NO. OF LOCATION
- NO. OF BARS
- LIFT 1 TO LIFT 6
- 2x1 #5x6'-6" VERTS L1-L6

- PLACING PLAN NOTES**
- THIS DRAWINGS FOR REBAR PLACEMENT ASSISTANCE ONLY. REFER TO STRUCTURAL DETAILS FOR CONTRACT REQUIREMENTS.
  - SECTIONS/DETAILS/DIMENSIONS ON PLACING PLAN ARE FOR REFERENCE AND ARE TO BE USED IN CONJUNCTION WITH CONTRACT DRAWING FOR CRSI MANUAL OF STANDARD PRACTICE.
  - REINFORCING STEEL IS DETAILED PER CONTRACT DOCUMENTS ONLY AS SHOWN. CODE COMPLIANCE REQUIREMENTS ARE THE RESPONSIBILITY OF ENGINEER AND/OR CONTRACTOR.
  - THE CONTRACTOR UNDERSTANDS THAT THE ENGINEER SHOULD ALWAYS VERIFY SHOP DRAWINGS IF TIME DOES NOT ALLOW FOR APPROVALS. TEXAS REBAR IS NOT HELD RESPONSIBLE FOR UNAPPROVED SHOP DRAWINGS USED IN PLACING CRSI MANUAL OF STANDARD PRACTICE. THE CUSTOMER AND ENGINEER SHOULD REVIEW SHOP DRAWINGS PRIOR TO INSTALLATION TO VERIFY ACCURACY TO STRUCTURAL DRAWINGS.
- PLACING PLAN NOTES**
- DIMENSIONS/ELEVATIONS & DRAWINGS SCALES SHOWN ARE FOR REFERENCE ONLY. CONTRACTOR TO PROVIDE LINES, GRADES & TEMPLATES REQUIRED FOR PLACEMENTS.
  - SECTIONS & DETAILS MAY NOT BE SHOWN ON ALL PLACING PLANS. KEEP STRUCTURAL DRAWINGS ON SITE FOR USE.
  - SOME LAP LENGTHS WILL BE ROUNDED UP IN DETAILING TO PROVIDE 1" INCREMENTS FOR LAPS.
  - LAP OR EMBEDMENT LENGTHS SHOWN IN SPECIFIC DETAILS WILL SUPPRESS LAPS IN THE LAP SCHEDULE.
  - VERIFY PLACEMENT DRAWINGS TO LATEST ISSUE OF JOB RECORD DRAWING FOR POSSIBLE REVISIONS OR FIELD CHANGES.
  - TYPICAL NOTES & DETAILS ARE USED THROUGHOUT ENTIRE PROJECT & APPLY UNLESS NOTED OTHERWISE.

REVISION	NO.	DESCRIPTION	DATE	BY	CHECKED	DATE

JOB NAME: CULTURAL DISTRICT MULTIFAMILY B  
 JOB NO: 22126  
 DETAILS OF: LEVEL 2 TO 3 CMU WALL REINFORCEMENT DETAILS  
 DATE: 10-14-22  
 DETAILER: SSSTR  
 DRWG: M05  
 TEXAS REBAR, LLC 817-487-1672



- PLACING PLAN NOTES**
- THIS DRAWINGS FOR REBAR PLACEMENT ASSISTANCE ONLY, REFER TO STRUCTURAL DETAILS FOR CONTRACT REQUIREMENTS
  - SECTIONS/DETAILS/DIMENSIONS ON PLACING PLAN ARE FOR REFERENCE AND ARE TO BE USED IN CONJUNCTION WITH CONTRACT DRAWING FOR CRSI MANUAL OF STANDARD PRACTICE
  - REINFORCING STEEL IS DETAILED PER CONTRACT DOCUMENTS ONLY AS SHOWN CODE COMPLIANCE REQUIREMENTS ARE THE RESPONSIBILITY OF ENGINEER AND/OR CONTRACTOR.
  - THE CONTRACTORS UNDERSTANDS THAT THE ENGINEER SHOULD ALWAYS VERIFY SHOP DRAWINGS IF TIME DOES NOT ALLOW FOR APPROVALS, TEXAS REBAR IS NOT HELD RESPONSIBLE FOR UNAPPROVED SHOP DRAWINGS USED IN PLACING CRSI MANUAL OF STANDARD PRACTICE THE CUSTOMER AND ENGINEER SHOULD REVIEW SHOP DRAWINGS PRIOR TO INSTALLATION TO VERIFY ACCURACY TO STRUCTURAL DRAWINGS.
- PLACING PLAN NOTES**
- DIMENSIONS ELEVATIONS & DRAWINGS SCALES SHOWN ARE FOR REFERENCE ONLY CONTRACTOR TO PROVIDE LINES, GRADES & TEMPLATES REQUIRED FOR PLACEMENTS
  - SECTIONS & DETAILS MAY NOT BE SHOWN ON ALL PLACING PLANS. KEEP STRUCTURAL DRAWINGS ON SITE FOR USE
  - SOME LAP LENGTHS WILL BE ROUNDED UP IN DETAILING TO PROVIDE FOR 1" INCREMENTS FOR LAPS.
  - LAP OR EMBEDMENT LENGTHS SHOWN IN SPECIFIC DETAILS WILL SUPPRESS LAPS IN THE LAP SCHEDULE
  - VERIFY PLACEMENT DRAWINGS TO LATEST ISSUE OF JOB RECORD DRAWING FOR POSSIBLE REVISIONS OR FIELD CHANGES.
  - TYPICAL NOTES & DETAILS ARE USED THROUGHOUT ENTIRE PROJECT & APPLY UNLESS NOTED OTHERWISE.

A/E PLEASE VERIFY LAP VALUE FOLLOWED

**LAP SCHEDULE**  
8" CMU WALL (2000 PSI)

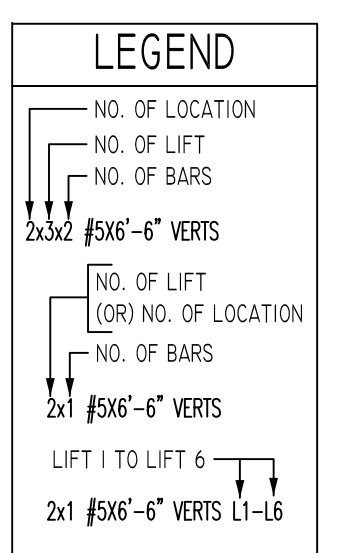
BAR #	HORIZ OR EDGE VERT	CENTER VERT
#4	24"	16"
#5	36"	24"
#6	54"	45"
#7	64"	62"
#8	72"	72"

A/E PLEASE VERIFY CLEAR COVER FOLLOWED

**TYPICAL REINFORCING BAR CLEARANCE TABLE**

LOCATION	MIN. COVER
CMU WALL TOP & SIDES	2" CLR

**ALL BARS IN THIS DRAWING  
ASTM A615 GRADE 60  
BLACK UNCOATED**



Rebar Number: M06

Bar Mark	Qty	Size	Total Length	Type	W	W	W	W	W	W	W	W	W	W
3B01	76	#3	4'-0"	17										

NO.	REVISION	DESCRIPTION	MADE	DATE
			BY	DATE

JOB NAME: CULTURAL DISTRICT MULTIFAMILY B

JOB NO: 22126

DETAILS OF: LEVEL 2 TO 3 CMU WALL REINFORCEMENT DETAILS

DATE: 10-14-22

DETAILER: SSSTR

DRWG: M06

TEXAS REBAR, LLC 817-487-1672

