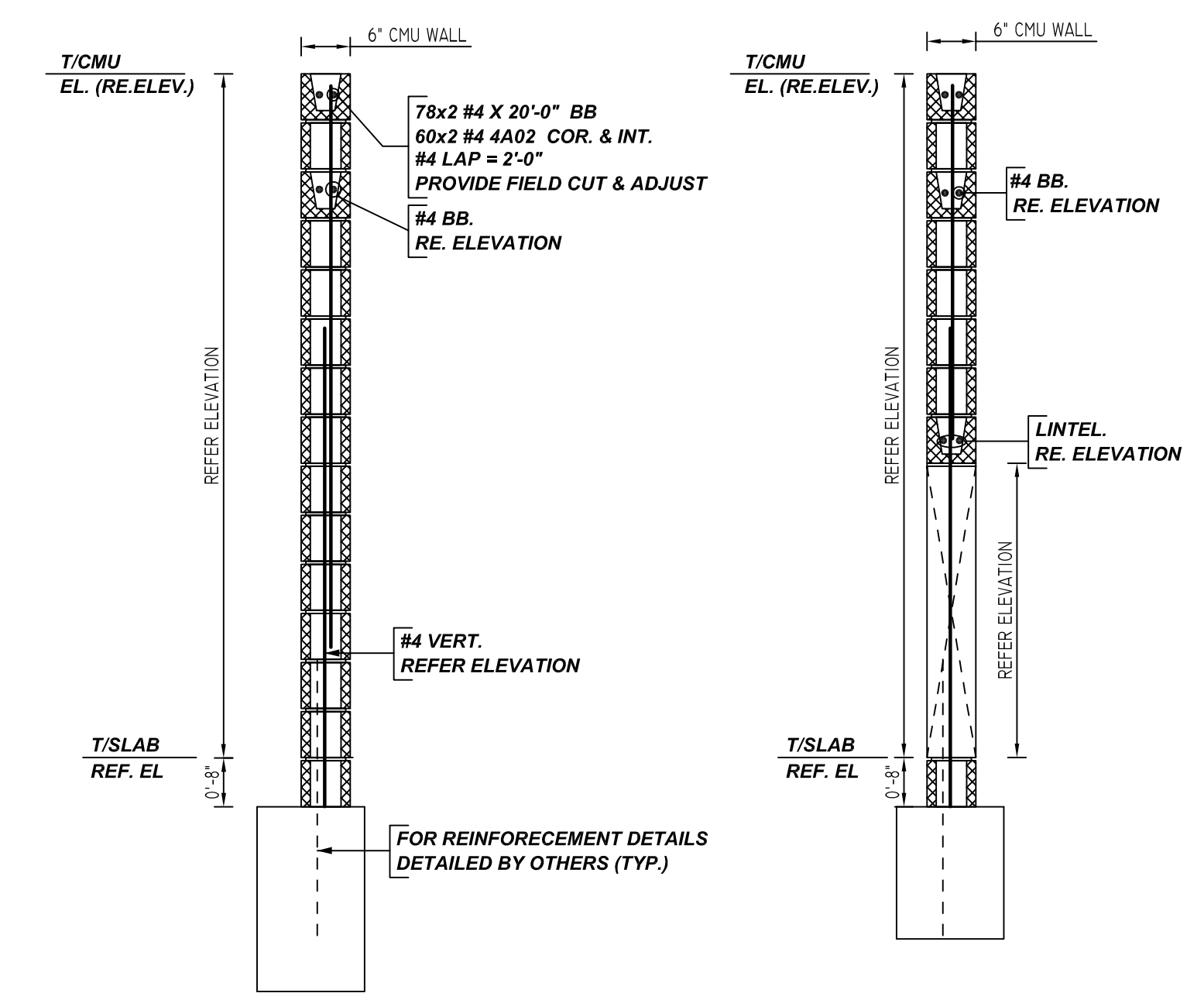


TYPICAL CMU WALL DETAILS
SCALE: 1/2" = 1'-0"

TYPICAL VERTICAL BAR LAPPING DETAIL



TYPICAL CMU WALL SECTION DETAILS
SCALE: 1/2" = 1'-0"

A/E PLEASE VERIFY LAP SCHEDULE WE FOLLOWED

LAP SCHEDULE

6" CMU WALL

BAR#	LENGTHS
#4	2'-0"
#5	2'-6"
#6	3'-0"
#7	3'-6"
#8	4'-0"
#9	4'-6"

LEGEND

NO. OF LOCATION
NO. OF LIFT
NO. OF BARS

2x32 #516'-6" VERTS

NO. OF LIFT (OR) NO. OF LOCATION
NO. OF BARS

2x1 #516'-6" VERTS

LIFT 1 TO LIFT 6

2x1 #516'-6" VERTS L1-L6

ALL BARS IN THIS DRAWING
ASTM A615 GRADE 60
BLACK UNCOATED

TYPICAL REINFORCING BAR CLEARANCE TABLE

LOCATION	MIN. COVER
CMU TOP	2" CLR

ACCESSORIES DETAILS

S. NO	ELEMENT	DESCRIPTION	PCS	LFT	REMARK
1	6" CMU WALL	9 GA HORIZONTAL LADDER REINFORCING @16" C/C	-	5688	FOR BAR SUPPORT

- PLACING PLAN NOTES**
- THIS DRAWINGS FOR REBAR PLACEMENT ASSISTANCE ONLY. REFER TO STRUCTURAL DETAILS FOR CONTRACT REQUIREMENTS.
 - SECTIONS & DETAILS IN DIMENSIONS ON PLACING PLAN ARE FOR REFERENCE AND ARE TO BE USED IN CONJUNCTION WITH CONTRACT DRAWING FOR CRSI MANUAL OF STANDARD PRACTICE.
 - REINFORCING STEEL IS DETAILED PER CONTRACT DOCUMENTS ONLY AS SHOWN. CODE COMPLIANCE REQUIREMENTS ARE THE RESPONSIBILITY OF ENGINEER AND/OR CONTRACTOR.
 - THE CONTRACTOR UNDERSTANDS THAT THE ENGINEER SHOULD ALWAYS VERIFY SHOP DRAWINGS. IF TIME DOES NOT ALLOW FOR APPROVALS, TEXAS REBAR IS NOT HELD RESPONSIBLE FOR UNAPPROVED SHOP DRAWINGS USED IN PLACING CRSI MANUAL OF STANDARD PRACTICE. THE CUSTOMER AND ENGINEER SHOULD REVIEW SHOP DRAWINGS PRIOR TO INSTALLATION TO VERIFY ACCURACY TO STRUCTURAL DRAWINGS.
- PLACING PLAN NOTES**
- DIMENSIONS ELEVATIONS & DRAWINGS SCALES SHOWN ARE FOR REFERENCE ONLY. CONTRACTOR TO PROVIDE LINES, GRADES & TEMPLATES REQUIRED FOR PLACEMENTS.
 - SECTIONS & DETAILS MAY NOT BE SHOWN ON ALL PLACING PLANS. KEEP STRUCTURAL DRAWINGS ON SITE FOR USE.
 - SOME LAP LENGTHS WILL BE ROUNDED UP IN DETAILING TO PROVIDE FOR 1" INCREMENTS FOR LAPS.
 - LAP OR EMBEDMENT LENGTHS SHOWN IN SPECIFIC DETAILS WILL SUPPRESS LAPS IN THE LAP SCHEDULE.
 - VERIFY PLACEMENT DRAWINGS TO LATEST ISSUE OF JOB RECORD DRAWING FOR POSSIBLE REVISIONS OR FIELD CHANGES.
 - TYPICAL NOTES & DETAILS ARE USED THROUGHOUT ENTIRE PROJECT & APPLY UNLESS NOTED OTHERWISE.

Release Number: M01

Bar	Qty	Size	Total Length	Type	X	Y	Z	W	V	U	T	S	R	Q	P	O	N	M	L	K	J	I	H	G	F	E	D	C	B	A
402	120	#4	480'-0"	17																										

AREA-A CMU WALL REINFORCEMENT DETAILS
REF: S-111&A-101
SCALE: 3/32" = 1'-0"

NO	DATE	DESCRIPTION
0		FOR APPROVAL
1		
2		
3		
4		

JOB NAME: PRAIRILAND ISD HS CTE CENTER

JOB NO: 22155

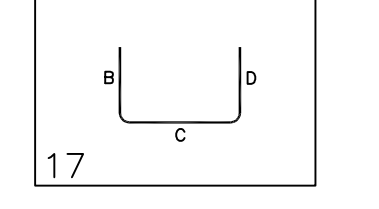
DETAILS OF: AREA-A CMU WALL REINFORCEMENT DETAILS

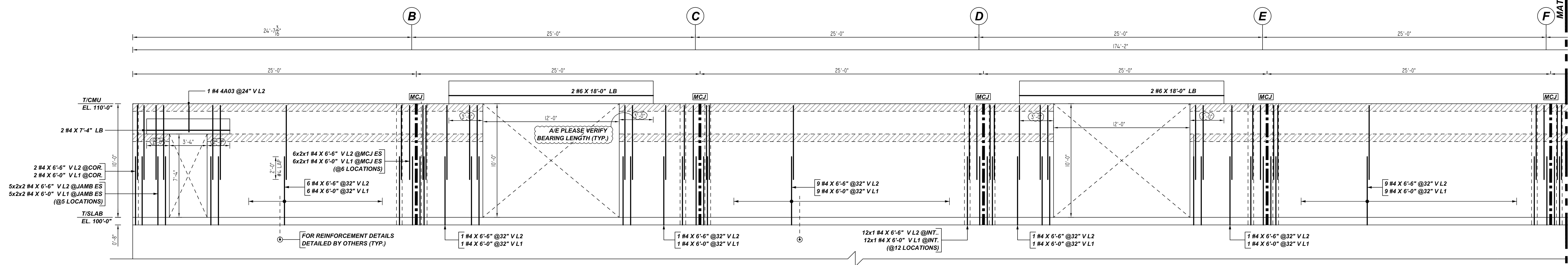
DATE: 12-09-22

DETAILER: SSSTR

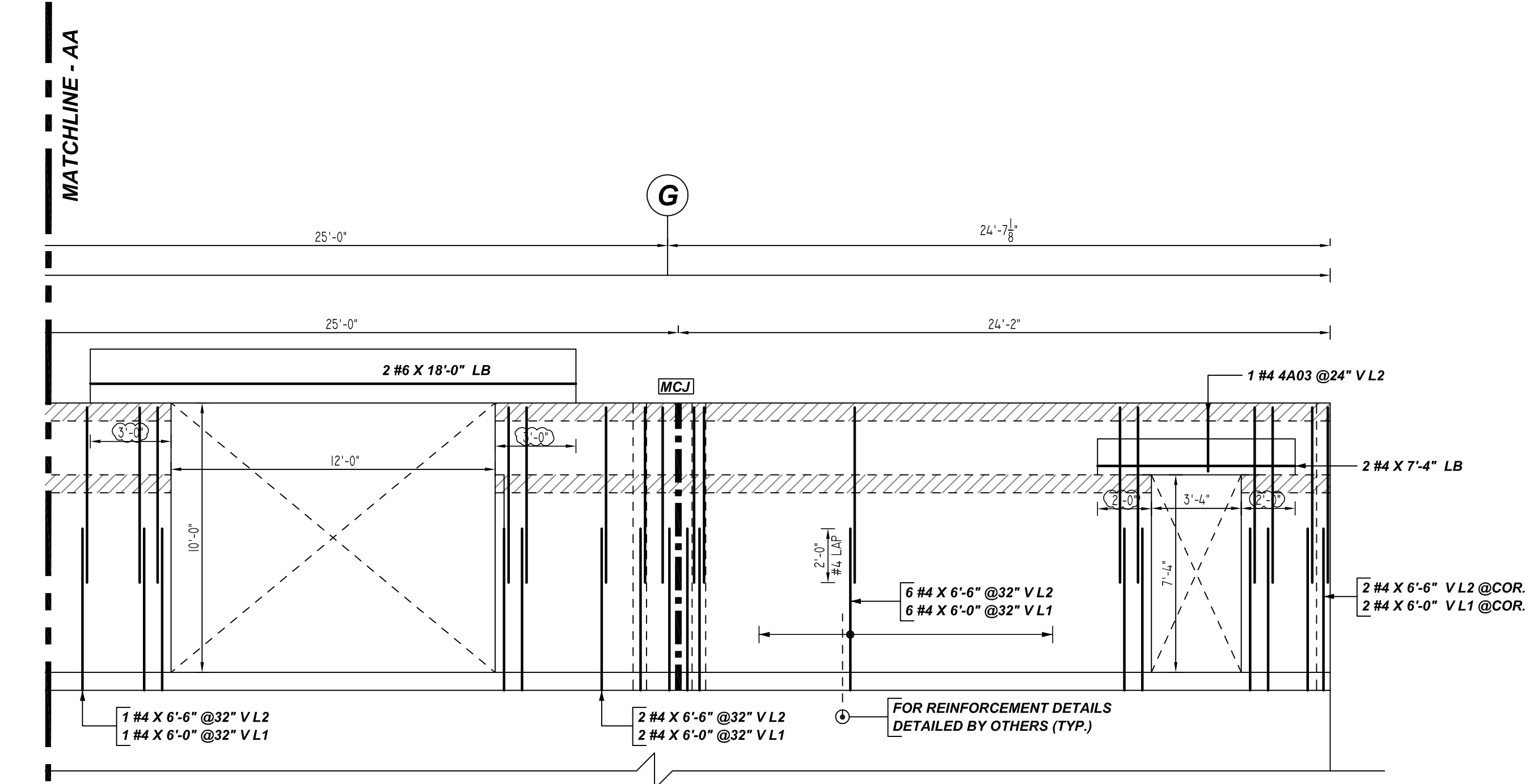
DRWG: M01

TEXAS REBAR, LLC 817-487-1672

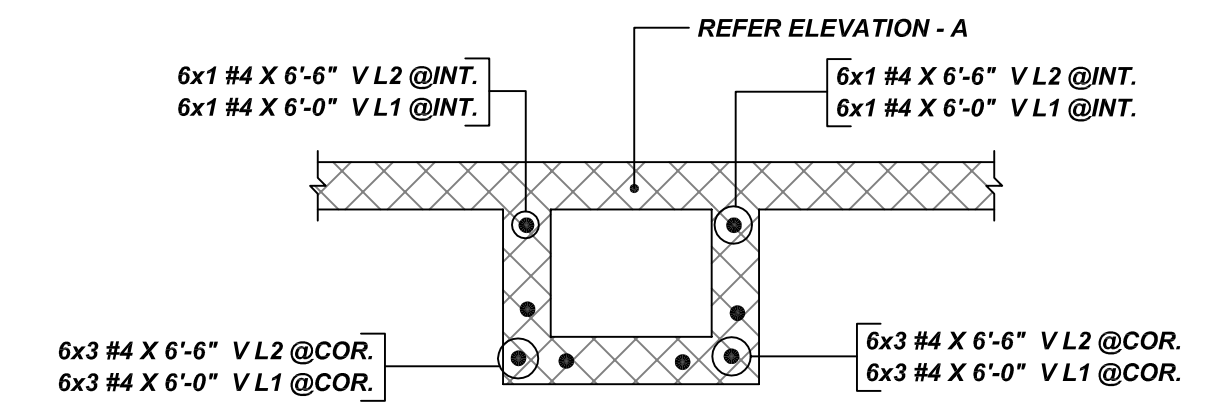




A ELEVATION
 REF: S-111, S-004 & S-501
 SCALE: 1/4" = 1'-0"



A ELEVATION
 REF: S-111, S-004 & S-501
 SCALE: 1/4" = 1'-0"

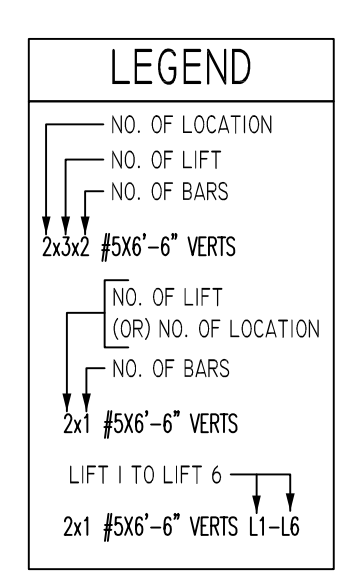
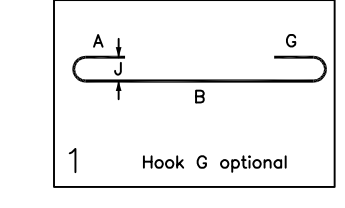


DETAIL-AA
 REF: S-111, S-004 & S-501
 SCALE: 1/2" = 1'-0"
 (@6 LOCATIONS)

- PLACING PLAN NOTES**
1. THIS DRAWINGS FOR REBAR PLACEMENT ASSISTANCE ONLY. REFER TO STRUCTURAL DETAILS FOR CONTRACT REQUIREMENTS.
 2. SECTIONS & DETAILS DIMENSIONS ON PLACING PLAN ARE FOR REFERENCE AND ARE TO BE USED IN CONJUNCTION WITH CONTRACT DRAWING FOR CRSI MANUAL OF STANDARD PRACTICE.
 3. REINFORCING STEEL IS DETAILED PER CONTRACT DOCUMENTS ONLY AS SHOWN CODE COMPLIANCE REQUIREMENTS ARE THE RESPONSIBILITY OF ENGINEER AND/OR CONTRACTOR.
 4. THE CONTRACTOR UNDERSTANDS THAT THE ENGINEER SHOULD ALWAYS VERIFY SHOP DRAWINGS IF TIME DOES NOT ALLOW FOR APPROVALS. TEXAS REBAR IS NOT HELD RESPONSIBLE FOR UNAPPROVED SHOP DRAWINGS USED IN PLACING CRSI MANUAL OF STANDARD PRACTICE THE CUSTOMER AND ENGINEER SHOULD REVIEW SHOP DRAWINGS PRIOR TO INSTALLATION TO VERIFY ACCURACY TO STRUCTURAL DRAWINGS.
- PLACING PLAN NOTES**
1. DIMENSIONS ELEVATIONS & DRAWINGS SCALES SHOWN ARE FOR REFERENCE ONLY CONTRACTOR TO PROVIDE LINES, GRADES & TEMPLATES REQUIRED FOR PLACEMENTS.
 2. SECTIONS & DETAILS MAY NOT BE SHOWN ON ALL PLACING PLANS. KEEP STRUCTURAL DRAWINGS ON SITE FOR USE.
 3. SOME LAP LENGTHS WILL BE ROUNDED UP IN DETAILING TO PROVIDE FOR 1" INCREMENTS FOR LAPS.
 4. LAP OR EMBEDMENT LENGTHS SHOWN IN SPECIFIC DETAILS WILL SUPPRESS LAPS IN THE LAP SCHEDULE.
 5. VERIFY PLACEMENT DRAWINGS TO LATEST ISSUE OF JOB RECORD DRAWING FOR POSSIBLE REVISIONS OR FIELD CHANGES.
 6. TYPICAL NOTES & DETAILS ARE USED THROUGHOUT ENTIRE PROJECT & APPLY UNLESS NOTED OTHERWISE.

Release Number: M02

Bar Mark	Qty	Size	Total Length	Type	X'	Y'	Z'	W'	V'	U'	T'	S'	R'	Q'	P'	O'	N'	M'	L'	K'	J'	I'	H'	G'	F'	E'	D'	C'	B'	A'
4A03	2	#4	5'-8"	1	0'-6"	7'-4"																								



LAP SCHEDULE
 6" CMU WALL

A/E PLEASE VERIFY LAP SCHEDULE WE FOLLOWED

BAR#	LENGTHS
#4	2'-0"
#5	2'-6"
#6	3'-0"
#7	3'-6"
#8	4'-0"
#9	4'-6"

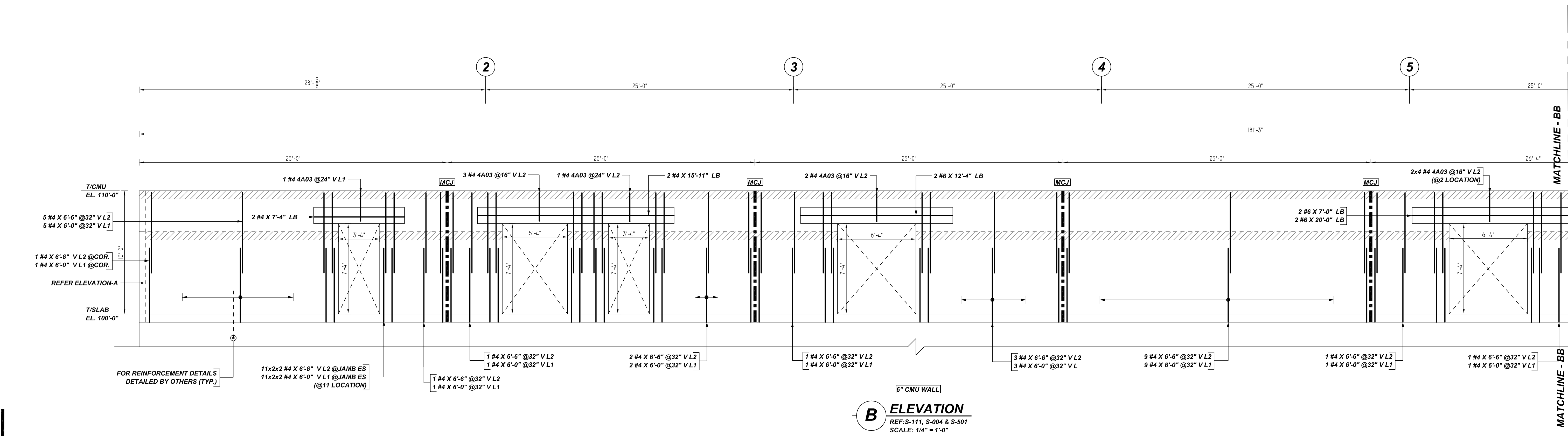
TYPICAL REINFORCING BAR CLEARANCE TABLE

LOCATION	MIN. COVER
CMU TOP	2" CLR

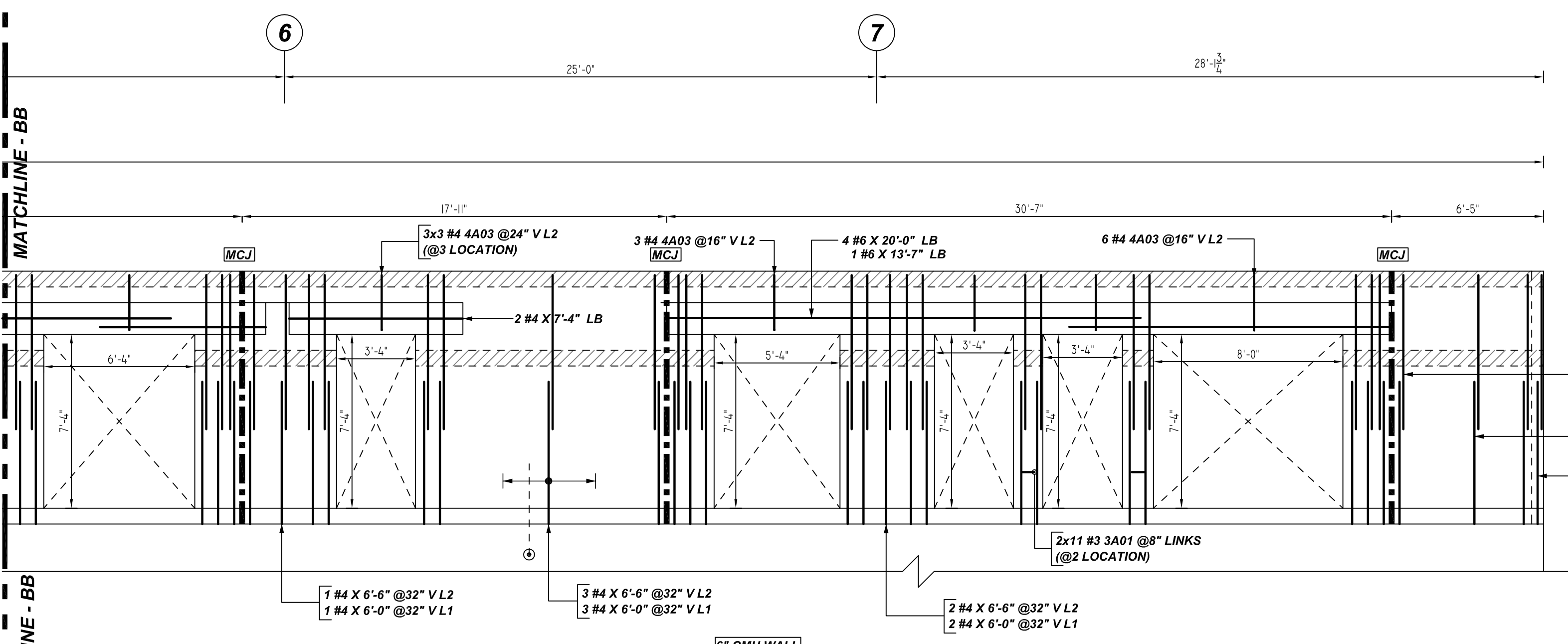
ALL BARS IN THIS DRAWING
 ASTM A615 GRADE 60
 BLACK UNCOATED

NO.	REVISION	DESCRIPTION	MADE	DATE
			BY	DATE
0	FOR APPROVAL			
1				
2				
3				
4				

JOB NAME: PRAIRILAND ISD HS CTE CENTER	
JOB NO: 22155	
DETAILS OF: AREA-A CMU WALL	DATE: 12-09-22
REINFORCEMENT DETAILS	
DETAILER: SSSTR	DRWG: M02
TEXAS REBAR, LLC 817-487-1672	



B ELEVATION
 REF-S-111, S-004 & S-501
 SCALE: 1/4" = 1'-0"



B ELEVATION
 REF-S-111, S-004 & S-501
 SCALE: 1/4" = 1'-0"

LEGEND

NO. OF LOCATION
 NO. OF LIFT
 NO. OF BARS

2x32 #5x6'-6" VERTS

NO. OF LIFT (OR) NO. OF LOCATION
 NO. OF BARS

2x1 #5x6'-6" VERTS

LIFT 1 TO LIFT 6

2x1 #5x6'-6" VERTS L1-L6

LAP SCHEDULE
 6" CMU WALL

BAR#	LENGTHS
#4	2'-0"
#5	2'-6"
#6	3'-0"
#7	3'-6"
#8	4'-0"
#9	4'-6"

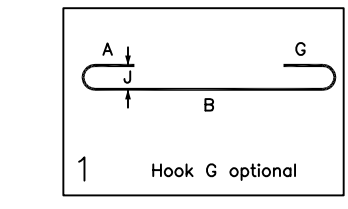
TYPICAL REINFORCING BAR CLEARANCE TABLE

LOCATION	MIN. COVER
CMU TOP	2" CLR

**ALL BARS IN THIS DRAWING
 ASTM A615 GRADE 60
 BLACK UNCOATED**

Release Number: M03

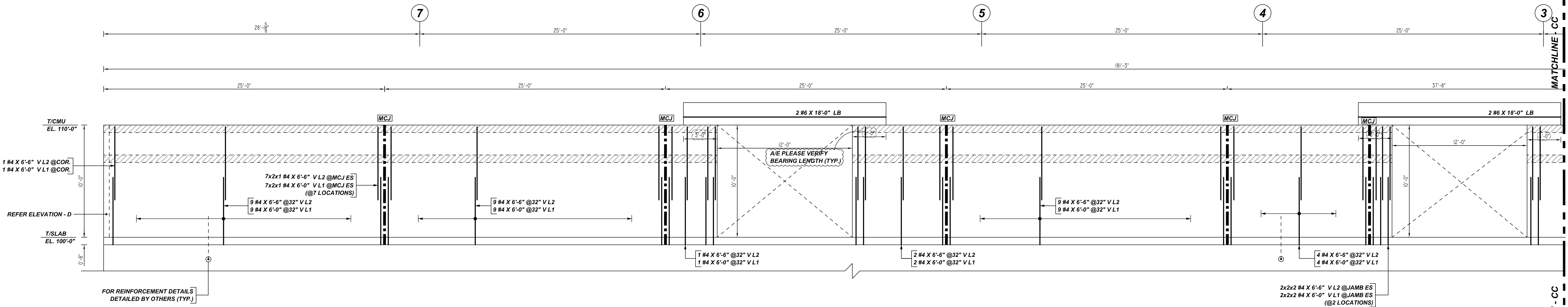
Bar Mark	Qty	Size	Total Length	Type	X	Y	Z	W	V	U	T	S	R	Q	P	O	N	M	L	K	J	I	H	G	F	E	D	C	B	A
3A01	22	#3	30'-8 1/2"	1	0'-5"	0'-4 1/2"																								
4A03	33	#4	93'-6"	1	0'-4"	2'-4"																								



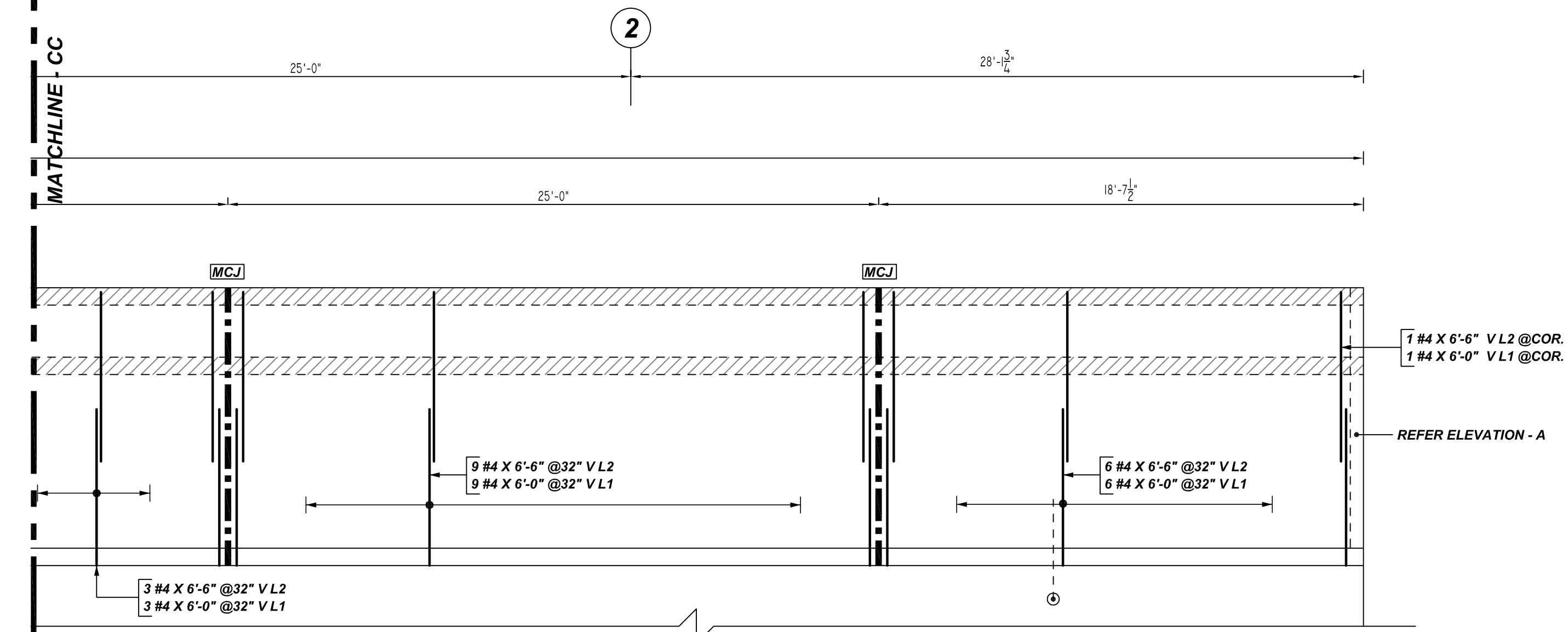
- PLACING PLAN NOTES**
- THIS DRAWINGS FOR REBAR PLACEMENT ASSISTANCE ONLY. REFER TO STRUCTURAL DETAILS FOR CONTRACT REQUIREMENTS.
 - SECTIONS & DETAILS DIMENSIONS ON PLACING PLAN ARE FOR REFERENCE AND ARE TO BE USED IN CONJUNCTION WITH CONTRACT DRAWING FOR CRSI MANUAL OF STANDARD PRACTICE.
 - REINFORCING STEEL IS DETAILED PER CONTRACT DOCUMENTS ONLY AS SHOWN CODE COMPLIANCE REQUIREMENTS ARE THE RESPONSIBILITY OF ENGINEER AND/OR CONTRACTOR.
 - THE CONTRACTOR UNDERSTANDS THAT THE ENGINEER SHOULD ALWAYS VERIFY SHOP DRAWINGS IF TIME DOES NOT ALLOW FOR APPROVALS. TEXAS REBAR IS NOT HELD RESPONSIBLE FOR UNAPPROVED SHOP DRAWINGS USED IN PLACING CRSI MANUAL OF STANDARD PRACTICE. THE CUSTOMER AND ENGINEER SHOULD REVIEW SHOP DRAWINGS PRIOR TO INSTALLATION TO VERIFY ACCURACY TO STRUCTURAL DRAWINGS.
- PLACING PLAN NOTES**
- DIMENSIONS ELEVATIONS & DRAWINGS SCALES SHOWN ARE FOR REFERENCE ONLY. CONTRACTOR TO PROVIDE LINES, GRADES & TEMPLATES REQUIRED FOR PLACEMENTS.
 - SECTIONS & DETAILS MAY NOT BE SHOWN ON ALL PLACING PLANS. KEEP STRUCTURAL DRAWINGS ON SITE FOR USE.
 - SOME LAP LENGTHS WILL BE ROUNDED UP IN DETAILING TO PROVIDE FOR 1" INCREMENTS FOR LAPS.
 - LAP OR EMBEDMENT LENGTHS SHOWN IN SPECIFIC DETAILS WILL SUPPRESS LAPS IN THE LAP SCHEDULE.
 - VERIFY PLACEMENT DRAWINGS TO LATEST ISSUE OF JOB RECORD DRAWING FOR POSSIBLE REVISIONS OR FIELD CHANGES.
 - TYPICAL NOTES & DETAILS ARE USED THROUGHOUT ENTIRE PROJECT & APPLY UNLESS NOTED OTHERWISE.

NO.	DESCRIPTION	DATE	BY
		MADE	FOR APPROVAL
0			
1			
2			
3			
4			

JOB NAME: PRAIRILAND ISD HS CTE CENTER
 JOB NO: 22155
 DETAILS OF: AREA-A CMU WALL REINFORCEMENT DETAILS
 DATE: 12-09-22
 DETAILER: SSTR
 DRWG: M03
 TEXAS REBAR, LLC 817-487-1672



6" CMU WALL
C ELEVATION
 REF: S-111, S-004 & S-501
 SCALE: 1/4" = 1'-0"



6" CMU WALL
C ELEVATION
 REF: S-111, S-004 & S-501
 SCALE: 1/4" = 1'-0"

LEGEND

- NO. OF LOCATION
- NO. OF LIFT
- NO. OF BARS
- 2x3/2 #5X6'-6" VERTS
- NO. OF LIFT (OR) NO. OF LOCATION
- NO. OF BARS
- 2x1 #5X6'-6" VERTS
- LIFT 1 TO LIFT 6
- 2x1 #5X6'-6" VERTS L1-L6

LAP SCHEDULE
 6" CMU WALL

BAR#	LENGTHS
#4	2'-0"
#5	2'-6"
#6	3'-0"
#7	3'-6"
#8	4'-0"
#9	4'-6"

TYPICAL REINFORCING BAR CLEARANCE TABLE

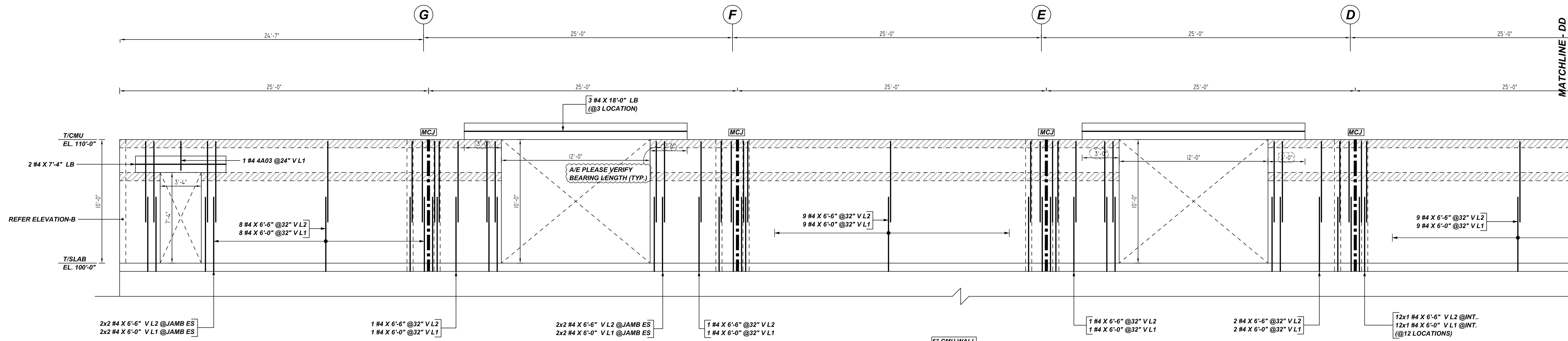
LOCATION	MIN. COVER
CMU TOP	2" CLR

**ALL BARS IN THIS DRAWING
 ASTM A615 GRADE 60
 BLACK UNCOATED**

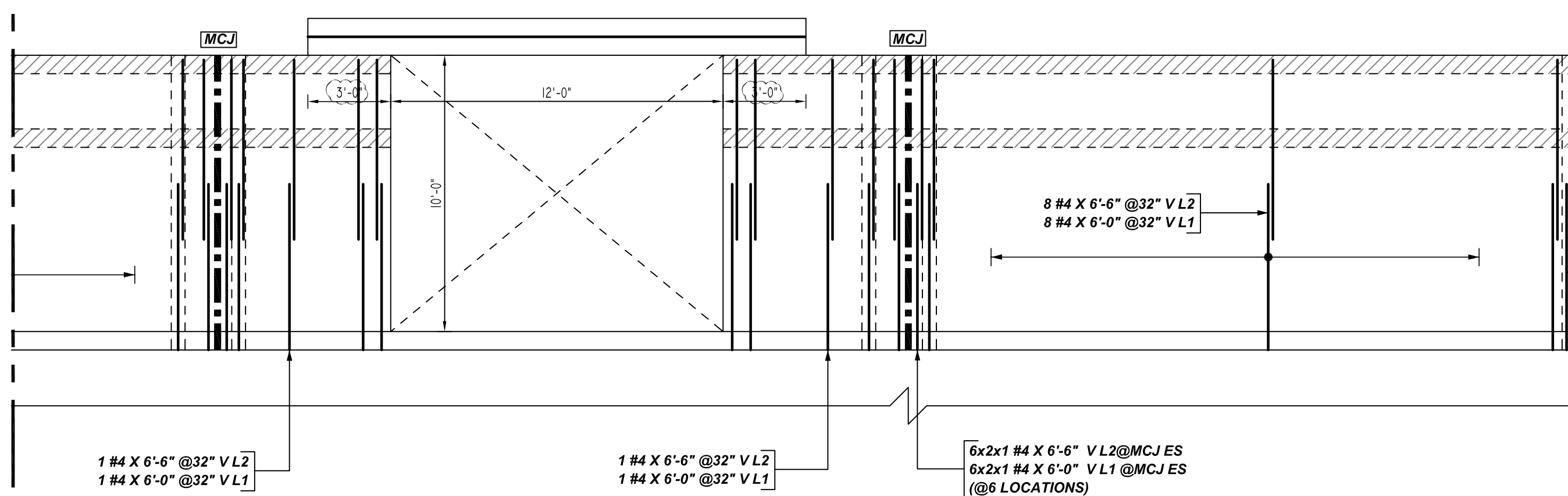
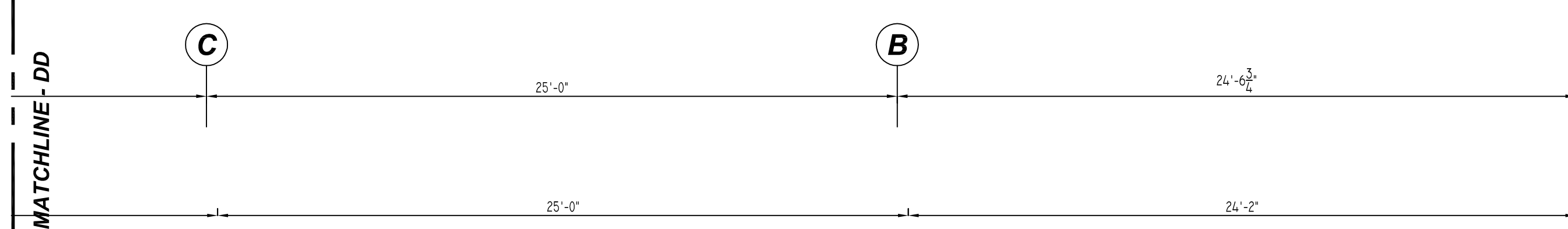
- PLACING PLAN NOTES**
- THIS DRAWINGS FOR REBAR PLACEMENT ASSISTANCE ONLY. REFER TO STRUCTURAL DETAILS FOR CONTRACT REQUIREMENTS.
 - SECTIONS/DETAILS/DIMENSIONS ON PLACING PLAN ARE FOR REFERENCE AND ARE TO BE USED IN CONJUNCTION WITH CONTRACT DRAWING FOR CRSI MANUAL OF STANDARD PRACTICE.
 - REINFORCING STEEL IS DETAILED PER CONTRACT DOCUMENTS ONLY AS SHOWN. CODE COMPLIANCE REQUIREMENTS ARE THE RESPONSIBILITY OF ENGINEER AND/OR CONTRACTOR.
 - THE CONTRACTOR UNDERSTANDS THAT THE ENGINEER SHOULD ALWAYS VERIFY SHOP DRAWINGS IF TIME DOES NOT ALLOW FOR APPROVALS. TEXAS REBAR IS NOT HELD RESPONSIBLE FOR UNAPPROVED SHOP DRAWINGS USED IN PLACING CRSI MANUAL OF STANDARD PRACTICE. THE CUSTOMER AND ENGINEER SHOULD REVIEW SHOP DRAWINGS PRIOR TO INSTALLATION TO VERIFY ACCURACY TO STRUCTURAL DRAWINGS.
- PLACING PLAN NOTES**
- DIMENSIONS ELEVATIONS & DRAWINGS GRADES SHOWN ARE FOR REFERENCE ONLY. CONTRACTOR TO PROVIDE LINES, GRADES & TEMPLATES REQUIRED FOR PLACEMENTS.
 - SECTIONS & DETAILS MAY NOT BE SHOWN ON ALL PLACING PLANS. KEEP STRUCTURAL DRAWINGS ON SITE FOR USE.
 - SOME LAP LENGTHS WILL BE ROUNDED UP IN DETAILING TO PROVIDE FOR 1" INCREMENTS FOR LAPS.
 - LAP OR EMBEDMENT LENGTHS SHOWN IN SPECIFIC DETAILS WILL SUPPERS LAPS IN THE LAP SCHEDULE.
 - VERIFY PLACEMENT DRAWINGS TO LATEST ISSUE OF JOB RECORD DRAWING FOR POSSIBLE REVISIONS OR FIELD CHANGES.
 - TYPICAL NOTES & DETAILS ARE USED THROUGHOUT ENTIRE PROJECT & APPLY UNLESS NOTED OTHERWISE.

NO.	DATE	DESCRIPTION	BY	DATE
0				
1				
2				
3				
4				

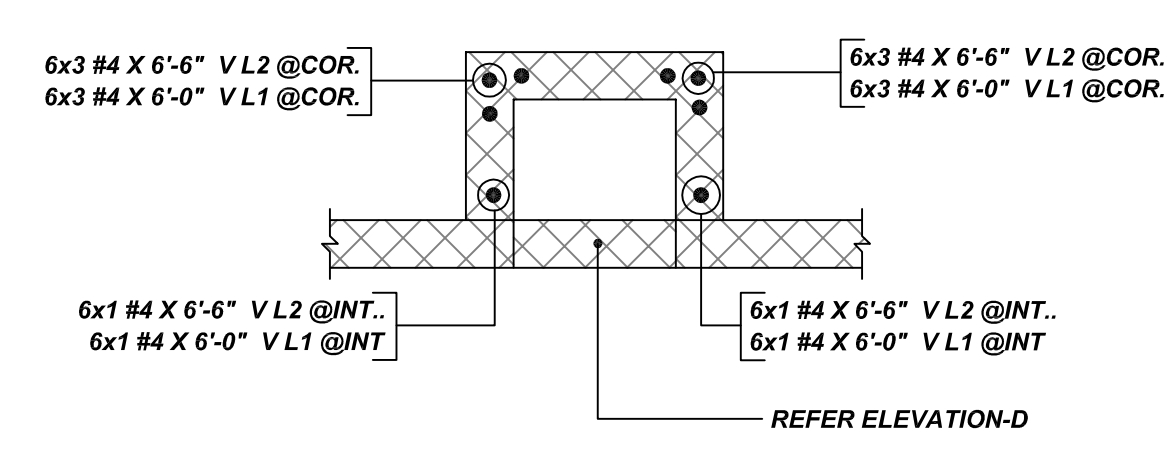
JOB NAME: PRAIRILAND ISD HS CTE CENTER
 JOB NO: 22155
 DETAILS OF: AREA-A CMU WALL REINFORCEMENT DETAILS
 DATE: 12-09-22
 DETAILER: SSTR
 DRWG: M04
 TEXAS REBAR, LLC 817-487-1672



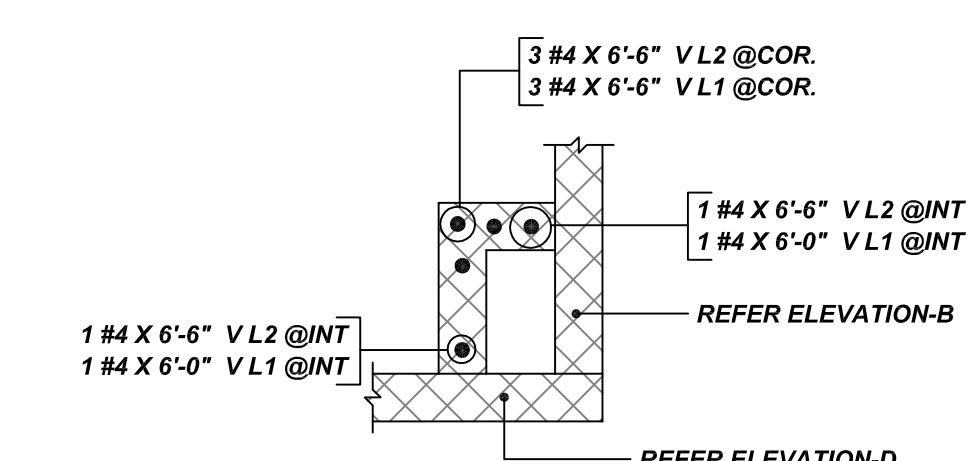
D ELEVATION
 REF: S-111, S-004 & S-501
 SCALE: 1/4" = 1'-0"



D ELEVATION
 REF: S-111, S-004 & S-501
 SCALE: 1/4" = 1'-0"



DETAIL-B B
 REF: S-004
 SCALE: 1/4" = 1'-0"
 (@6 LOCATIONS)



DETAIL-C C
 REF: S-004
 SCALE: 1/4" = 1'-0"

Bar Mark	Qty	Size	Total Length	Type	X'	Y'	Z'	W'	V'	U'	T'	S'	R'	Q'	P'	O'	N'	M'	L'	K'	J'	I'	H'	G'	F'	E'	D'	C'	B'	A'
4A03	1	#4	2'-10"	1	0'-6"	2'-4"																								

LEGEND

NO. OF LOCATION
 NO. OF LIFT
 NO. OF BARS

2x3x2 #5X6'-6" VERTS

NO. OF LIFT (OR) NO. OF LOCATION
 NO. OF BARS

2x1 #5X6'-6" VERTS

LIFT 1 TO LIFT 6

2x1 #5X6'-6" VERTS L1-L6

LAP SCHEDULE
 6" CMU WALL

BAR#	LENGTHS
#4	2'-0"
#5	2'-6"
#6	3'-0"
#7	3'-6"
#8	4'-0"
#9	4'-6"

TYPICAL REINFORCING BAR CLEARANCE TABLE

LOCATION	MIN. COVER
CMU TOP	2" CLR

ALL BARS IN THIS DRAWING
 ASTM A615 GRADE 60
 BLACK UNCOATED

- PLACING PLAN NOTES**
- THIS DRAWINGS FOR REBAR PLACEMENT ASSISTANCE ONLY. REFER TO STRUCTURAL DETAILS FOR CONTRACT REQUIREMENTS.
 - SECTIONS/DETAILS DIMENSIONS ON PLACING PLAN ARE FOR REFERENCE AND ARE TO BE USED IN CONJUNCTION WITH CONTRACT DRAWING FOR CRSI MANUAL OF STANDARD PRACTICE.
 - REINFORCING STEEL IS DETAILED PER CONTRACT DOCUMENTS ONLY AS SHOWN. CODE COMPLIANCE REQUIREMENTS ARE THE RESPONSIBILITY OF ENGINEER AND/OR CONTRACTOR.
 - THE CONTRACTOR UNDERSTANDS THAT THE ENGINEER SHOULD ALWAYS VERIFY SHOP DRAWINGS IF TIME DOES NOT ALLOW FOR APPROVALS. TEXAS REBAR IS NOT HELD RESPONSIBLE FOR UNAPPROVED SHOP DRAWINGS USED IN PLACING CRSI MANUAL OF STANDARD PRACTICE THE CUSTOMER AND ENGINEER SHOULD REVIEW SHOP DRAWINGS PRIOR TO INSTALLATION TO VERIFY ACCURACY TO STRUCTURAL DRAWINGS.
- PLACING PLAN NOTES**
- DIMENSIONS ELEVATIONS & DRAWINGS SCALES SHOWN ARE FOR REFERENCE ONLY. CONTRACTOR TO PROVIDE LINES, GRADES & TEMPLATES REQUIRED FOR PLACEMENTS.
 - SECTIONS & DETAILS MAY NOT BE SHOWN ON ALL PLACING PLANS. KEEP STRUCTURAL DRAWINGS ON SITE FOR USE.
 - SOME LAP LENGTHS WILL BE ROUNDED UP IN DETAILING TO PROVIDE FOR 1" INCREMENTS FOR LAPS.
 - LAP OR EMBEDMENT LENGTHS SHOWN IN SPECIFIC DETAILS WILL SUPPRESS LAPS IN THE LAP SCHEDULE.
 - VERIFY PLACEMENT DRAWINGS TO LATEST ISSUE OF JOB RECORD DRAWING FOR POSSIBLE REVISIONS OR FIELD CHANGES.
 - TYPICAL NOTES & DETAILS ARE USED THROUGHOUT ENTIRE PROJECT & APPLY UNLESS NOTED OTHERWISE.

NO.	DESCRIPTION	DATE	BY	CHKD.
		DATE	BY	CHKD.
0	FOR APPROVAL			
1				
2				
3				
4				

REVISION

JOB NAME: PRAIRILAND ISD HS CTE CENTER
 JOB NO: 22155
 DETAILS OF: AREA-A CMU WALL REINFORCEMENT DETAILS
 DATE: 12-09-22
 DETAILER: SSSTR
 DRWG: M05
 TEXAS REBAR, LLC 817-487-1672