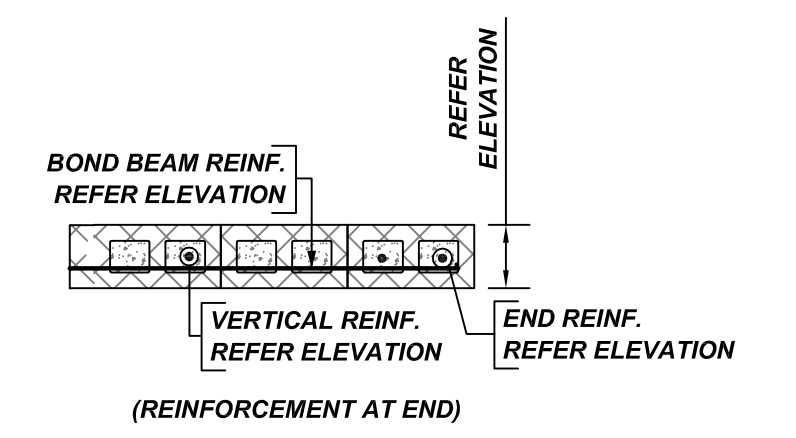


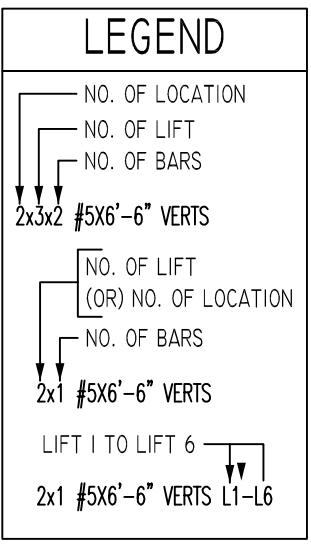
TYPICAL CMU WALL SECTION DETAILS
SCALE: 1/2" = 1'-0"



TYPICAL CMU WALL DETAILS
SCALE: 1/2" = 1'-0"
REF: -

LAP SCHEDULE

REINFORCEMENT SPLICE LENGTH SCHEDULE	MASONRY
#3	1'-4"
#4	1'-9"
#5	2'-8"
#6	4'-6"
#7	5'-3"
#8	6'-0"
#9	6'-9"

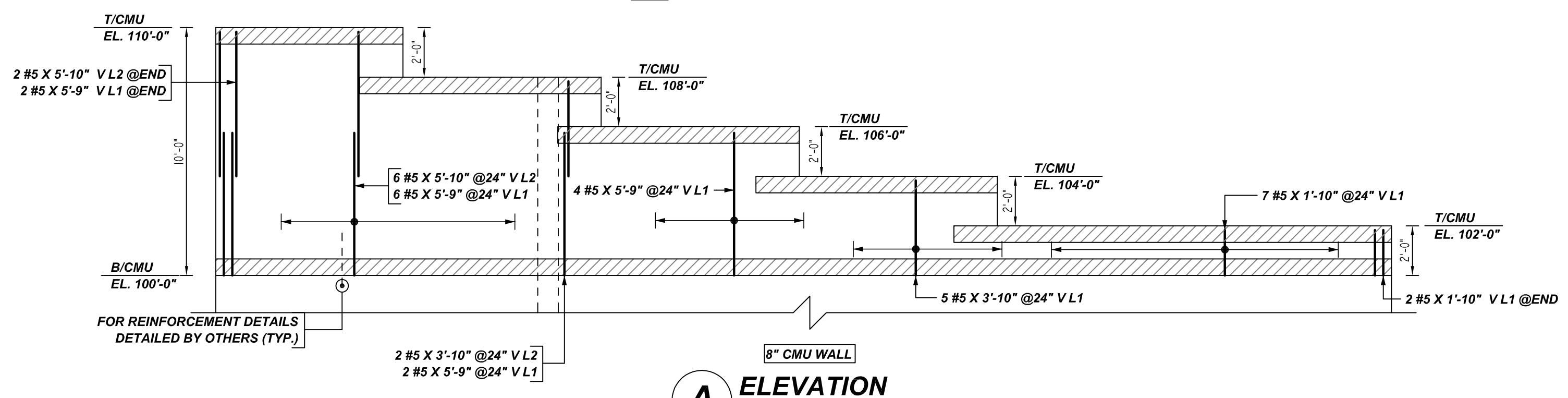
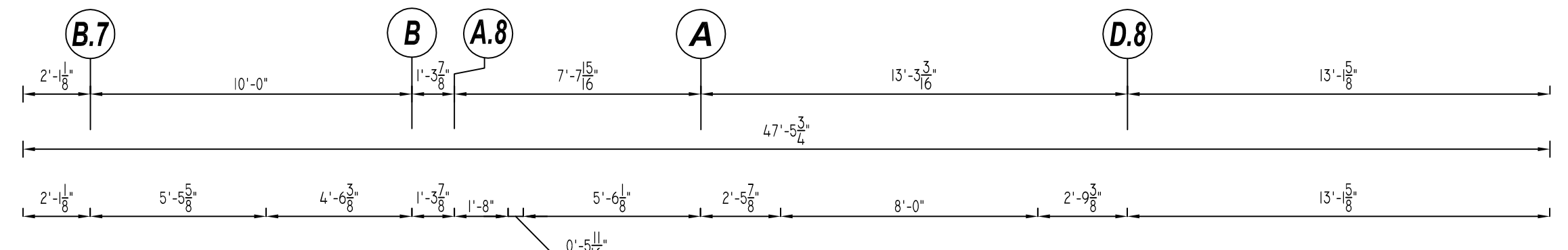


TYPICAL REINFORCING BAR CLEARANCE TABLE

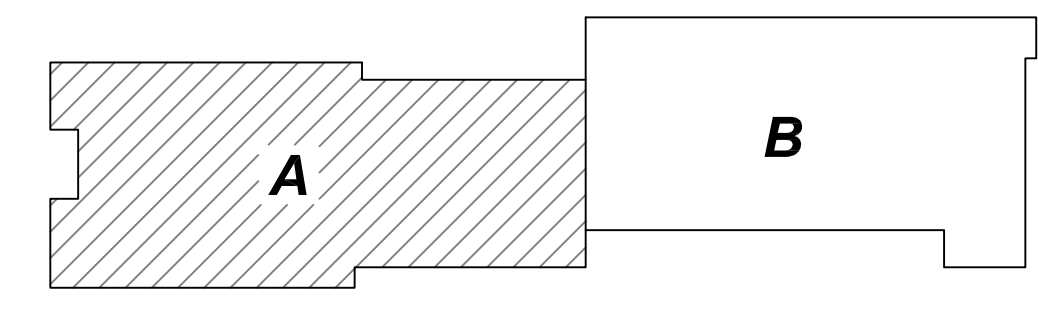
LOCATION	MIN. COVER
CMU WALL (TOP)	2" CLR

**ALL BARS IN THIS DRAWING
ASTM A615 GRADE 60
BLACK UNCOATED**

AREA-A CMU WALL REINFORCEMENT DETAILS
REF: 01A-202 & 01S-210A
SCALE: 3/32" = 1'-0"



ELEVATION A
REF: 01-S210A, 01A-202, 01A-402 & S-312
SCALE: 1/4" = 1'-0"



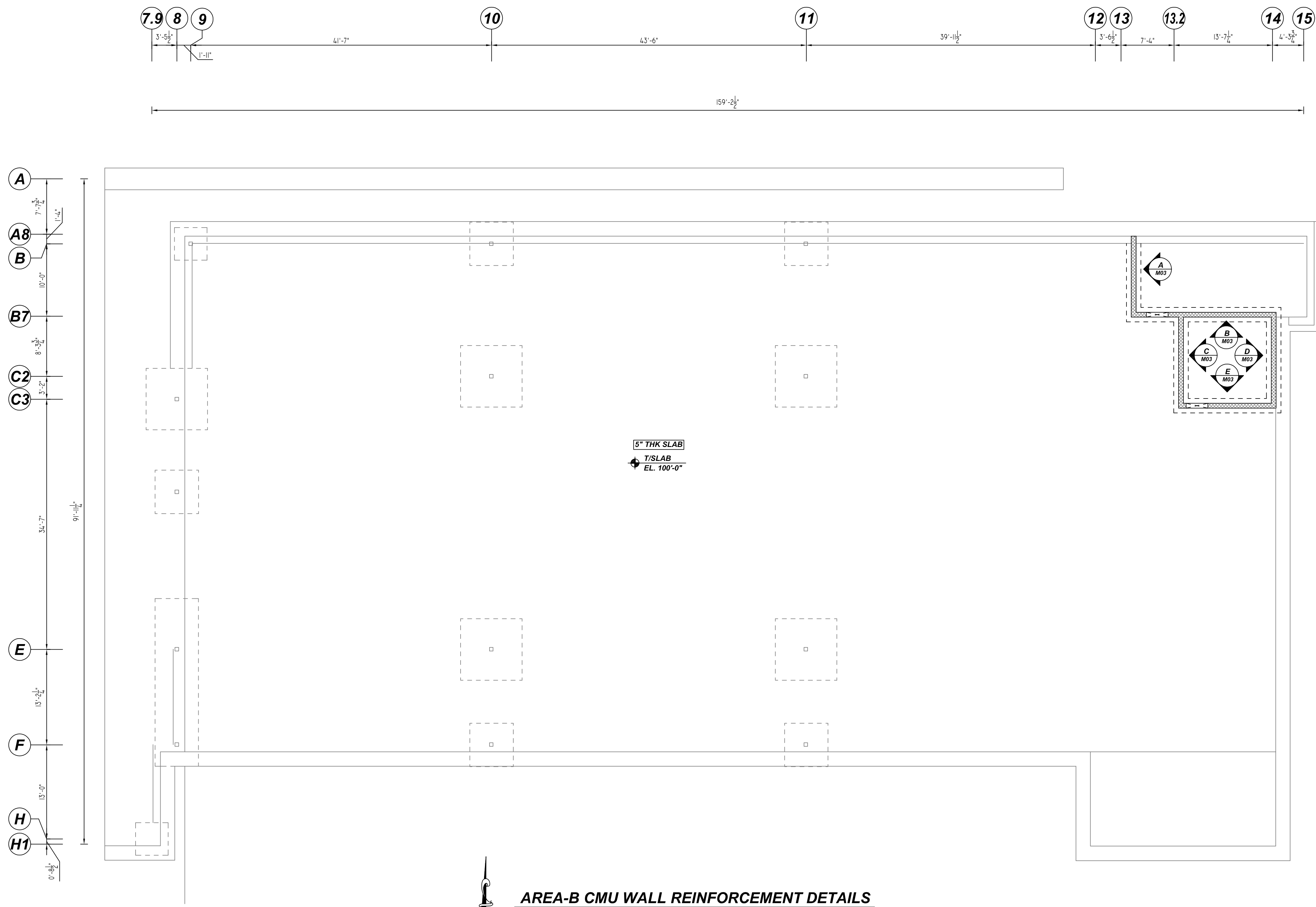
KEY PLAN
REF: 01A-202 & 01S-210A
SCALE: NTS

- PLACING PLAN NOTES**
- THIS DRAWINGS FOR REBAR PLACEMENT ASSISTANCE ONLY. REFER TO STRUCTURAL DETAILS FOR CONTRACT REQUIREMENTS.
 - SECTIONS ON PLACING PLAN ARE FOR REFERENCE AND ARE TO BE USED IN CONJUNCTION WITH CONTRACT DRAWING FOR CRSI MANUAL OF STANDARD PRACTICE.
 - REINFORCING STEEL IS DETAIL PER CONTRACT DOCUMENTS ONLY AS SHOWN CODE COMPLIANCE REQUIREMENTS ARE THE RESPONSIBILITY OF ENGINEER AND/OR CONTRACTOR.
 - THE CONTRACTOR UNDERSTANDS THAT THE ENGINEER SHOULD ALWAYS VERIFY SHOP DRAWINGS IF TIME DOES NOT ALLOW FOR APPROVALS. TEXAS REBAR IS NOT HELD RESPONSIBLE FOR UNAPPROVED SHOP DRAWINGS USED IN PLACING CRSI MANUAL OF STANDARD PRACTICE THE CUSTOMER AND ENGINEER SHOULD REVIEW SHOP DRAWINGS PRIOR TO INSTALLATION TO VERIFY ACCURACY TO STRUCTURAL DRAWINGS.
- PLACING PLAN NOTES**
- DIMENSIONS ELEVATIONS & DRAWINGS SCALES SHOWN ARE FOR REFERENCE ONLY CONTRACTOR TO PROVIDE LINES, GRADES & TEMPLATES REQUIRED FOR PLACEMENTS.
 - SECTIONS & DETAILS MAY NOT BE SHOWN ON ALL PLACING PLANS. KEEP STRUCTURAL DRAWINGS ON SITE FOR USE.
 - SOME LAP LENGTHS WILL BE ROUNDED UP IN DETAILING TO PROVIDE FOR 1" INCREMENTS FOR LAPS.
 - LAP OR EMBEDMENT LENGTHS SHOWN IN SPECIFIC DETAILS WILL SUPPRESS LAPS IN THE LAP SCHEDULE.
 - VERIFY PLACEMENT DRAWINGS TO LATEST ISSUE OF JOB RECORD DRAWING FOR POSSIBLE REVISIONS OR FIELD CHANGES.
 - TYPICAL NOTES & DETAILS ARE USED THROUGHOUT ENTIRE PROJECT & APPLY UNLESS NOTED OTHERWISE.

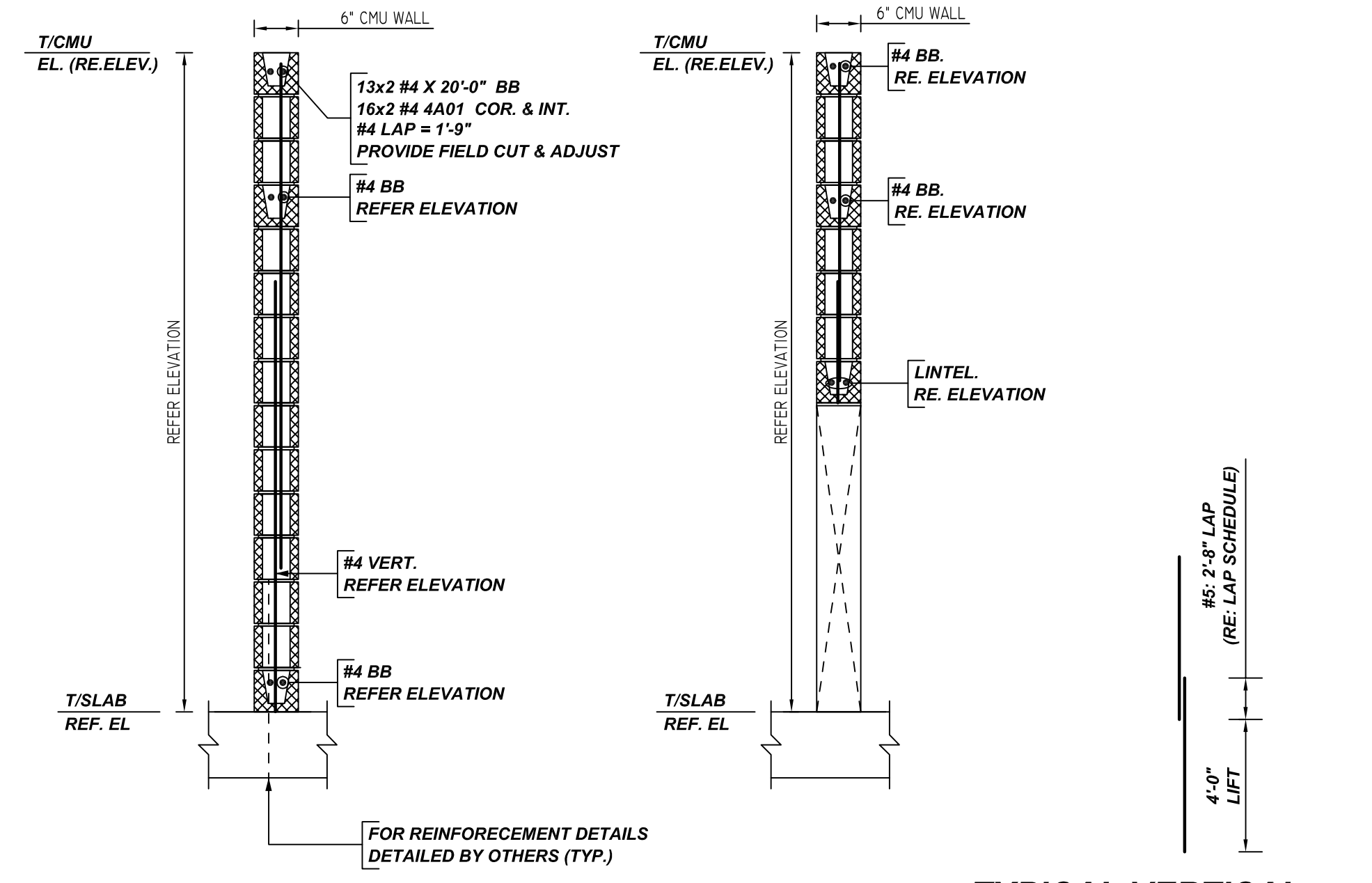
NO.	DATE	DESCRIPTION	BY	CHKD.
0		FOR APPROVAL		
1				
2				
3				
4				

JOB NAME:	SUMMIT PKG 3	DATE:	12-16-22
JOB NO:	22160	DRWG:	M01
DETAILS OF:	AREA A CMU WALL REINFORCEMENT DETAILS		
DETAILER:	SSSTR		

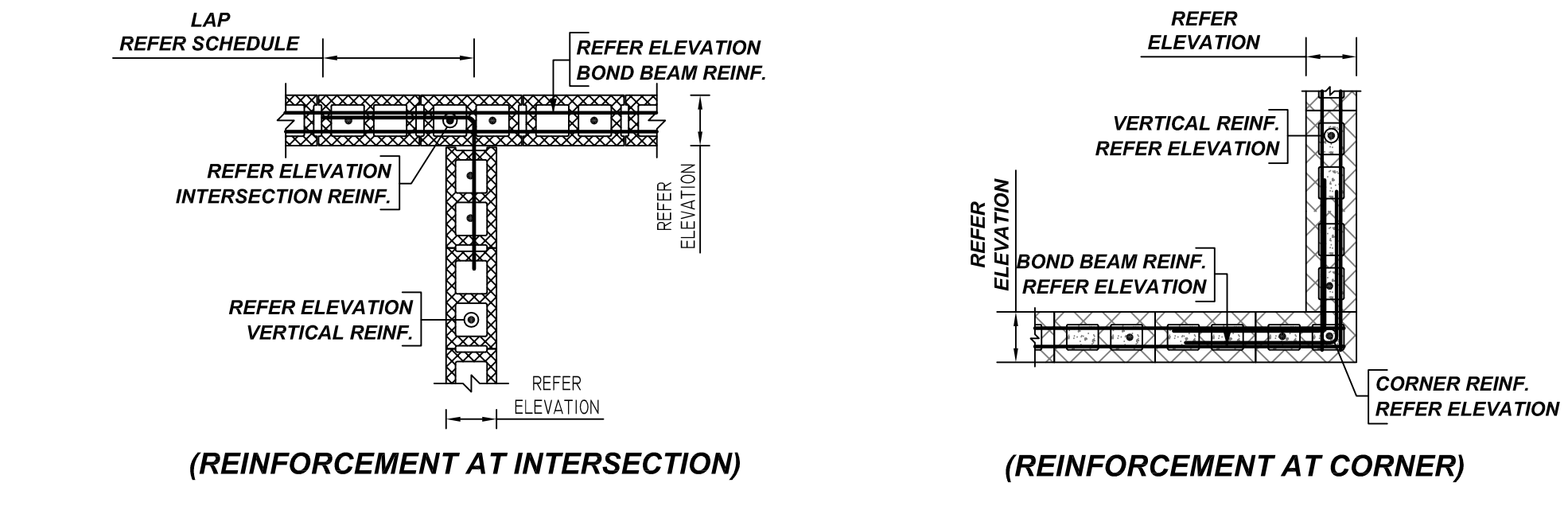
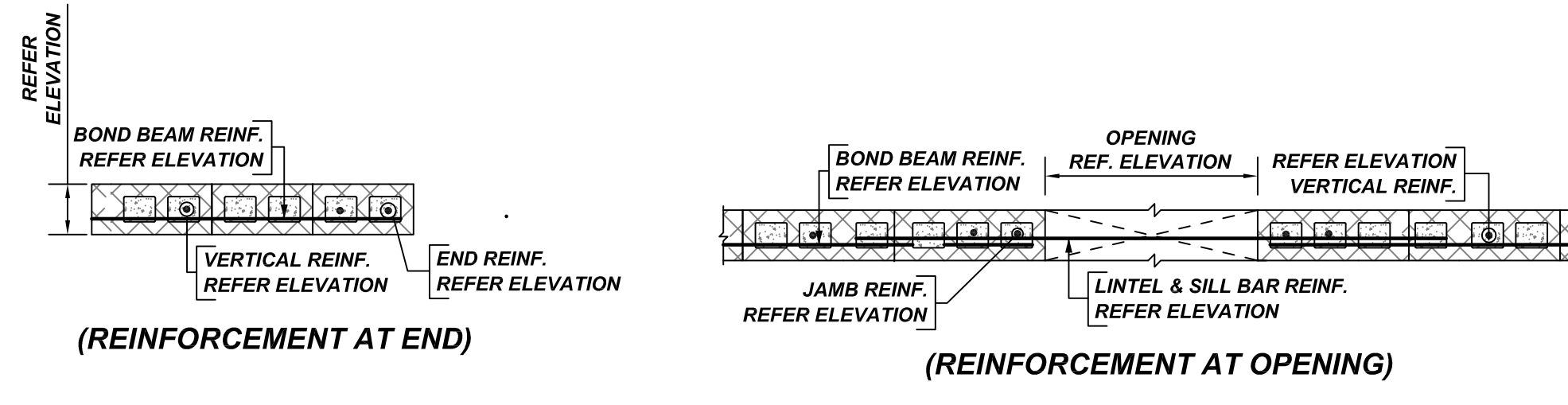
TEXAS REBAR, LLC 817-487-1672



AREA-B CMU WALL REINFORCEMENT DETAILS
REF: S-211
SCALE: 1/8" = 1'-0"



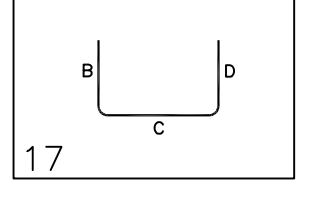
TYPICAL VERTICAL BAR LAPPING DETAIL
SCALE: 1/2" = 1'-0"



TYPICAL CMU WALL DETAILS
SCALE: 1/2" = 1'-0"

Release Number: M02

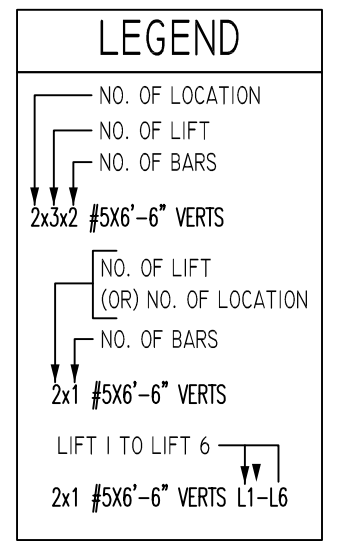
Bar Mark	Qty	Size	Total Length	Type	X	Y	Z	V	W	U	T	S	R	Q	P	O	N	M	L	K	J	I	H	G	F	E	D	C	B	A
4401	32	#4	112'-0"	17																										



LAP SCHEDULE

REINFORCEMENT SPLICE LENGTH SCHEDULE
F'M=1500 PSI MASONRY

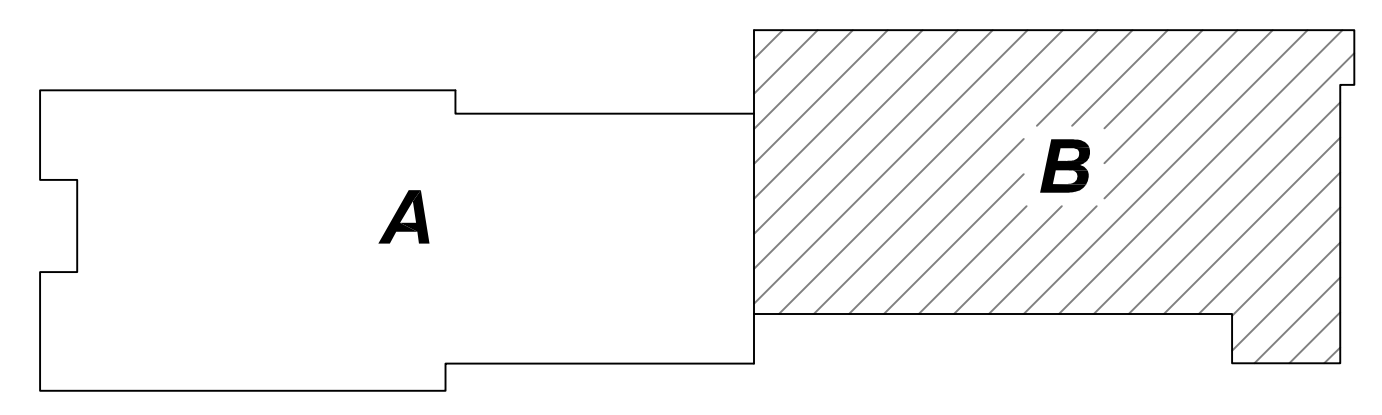
BAR#	MASONRY
#3	1'-4"
#4	1'-9"
#5	2'-8"
#6	4'-6"
#7	5'-3"
#8	6'-0"
#9	6'-9"



TYPICAL REINFORCING BAR CLEARANCE TABLE

LOCATION	MIN. COVER
CMU WALL (TOP)	2" CLR

**ALL BARS IN THIS DRAWING
ASTM A615 GRADE 60
BLACK UNCOATED**

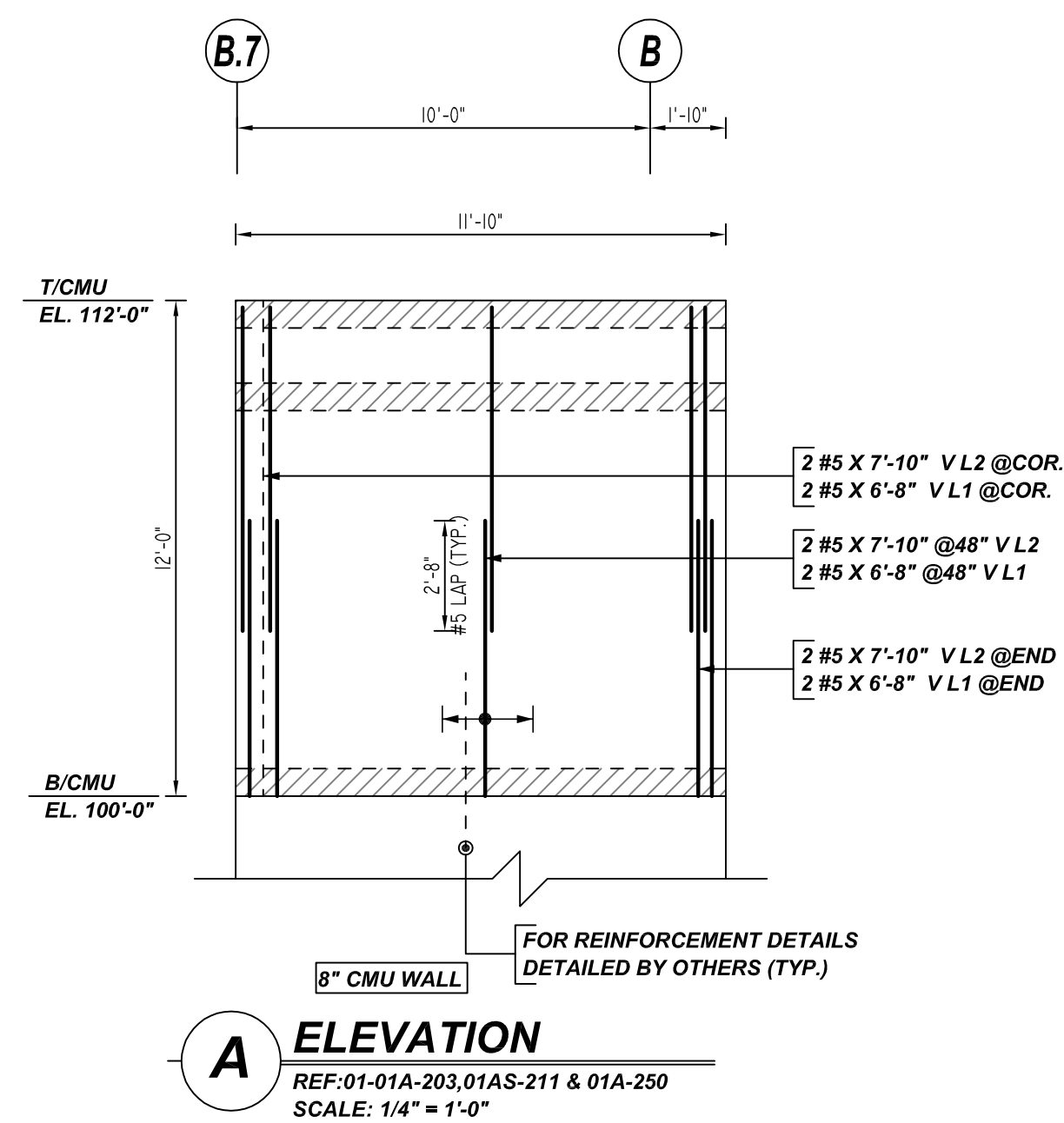


KEY PLAN
REF: 01A-202 & 01S-210A
SCALE: NTS

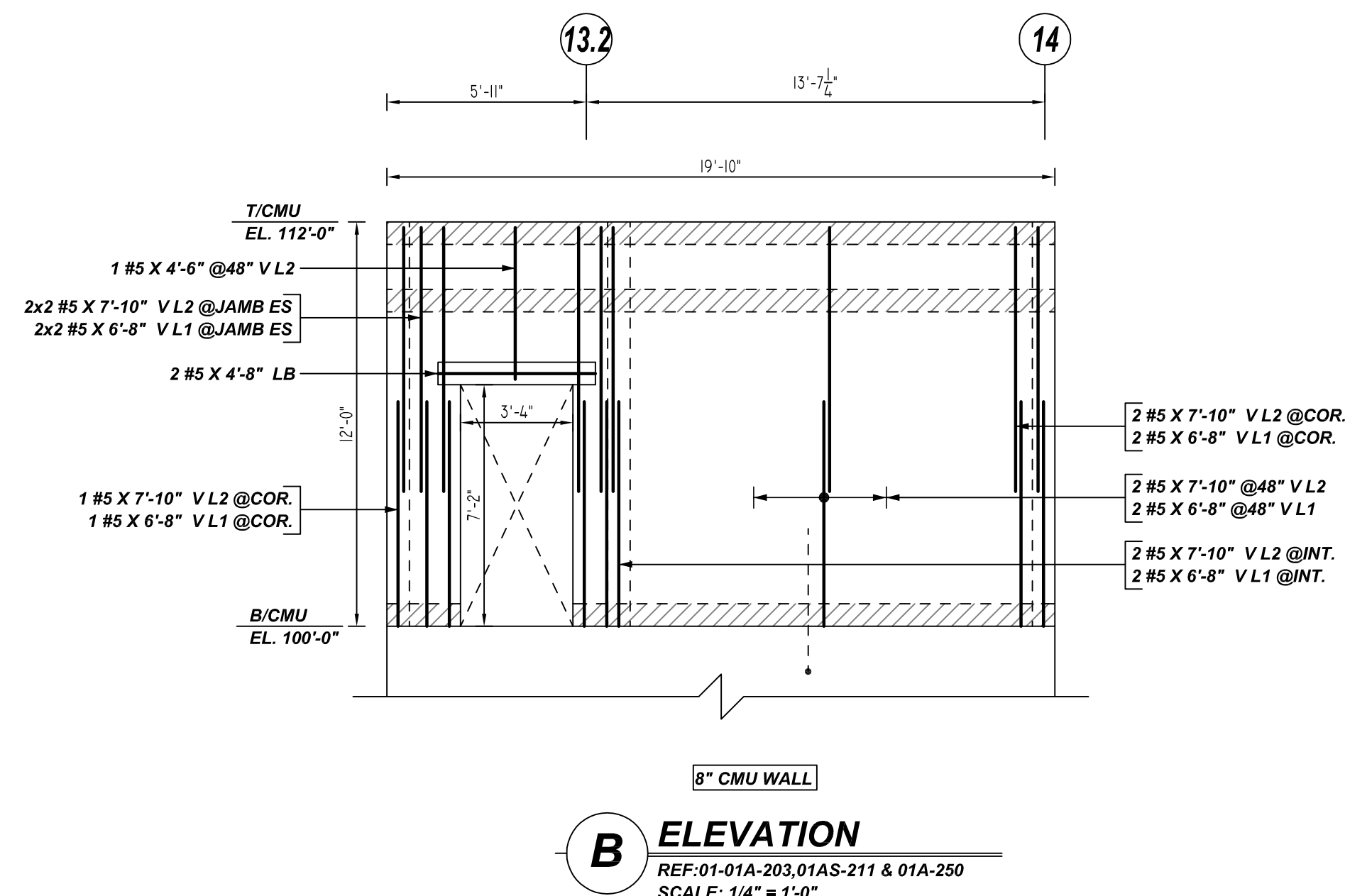
- PLACING PLAN NOTES**
- THIS DRAWING IS FOR REBAR PLACEMENT ASSISTANCE ONLY. REFER TO STRUCTURAL DETAILS FOR CONTRACT REQUIREMENTS.
 - SECTIONS & DETAILS DIMENSIONS ON PLACING PLAN ARE FOR REFERENCE AND ARE TO BE USED IN CONJUNCTION WITH CONTRACT DRAWING FOR CRSI MANUAL OF STANDARD PRACTICE.
 - REINFORCING STEEL IS DETAILED PER CONTRACT DOCUMENTS ONLY AS SHOWN. CODE COMPLIANCE REQUIREMENTS ARE THE RESPONSIBILITY OF ENGINEER AND/OR CONTRACTOR.
 - THE CONTRACTOR UNDERSTANDS THAT THE ENGINEER SHOULD ALWAYS VERIFY SHOP DRAWINGS. IF TIME DOES NOT ALLOW FOR APPROVALS, TEXAS REBAR IS NOT HELD RESPONSIBLE FOR UNAPPROVED SHOP DRAWINGS USED IN PLACING CRSI MANUAL OF STANDARD PRACTICE. THE CUSTOMER AND ENGINEER SHOULD REVIEW SHOP DRAWINGS PRIOR TO INSTALLATION TO VERIFY ACCURACY TO STRUCTURAL DRAWINGS.

NO.	DATE	DESCRIPTION	BY	CHKD.
1				
2				
3				
4				

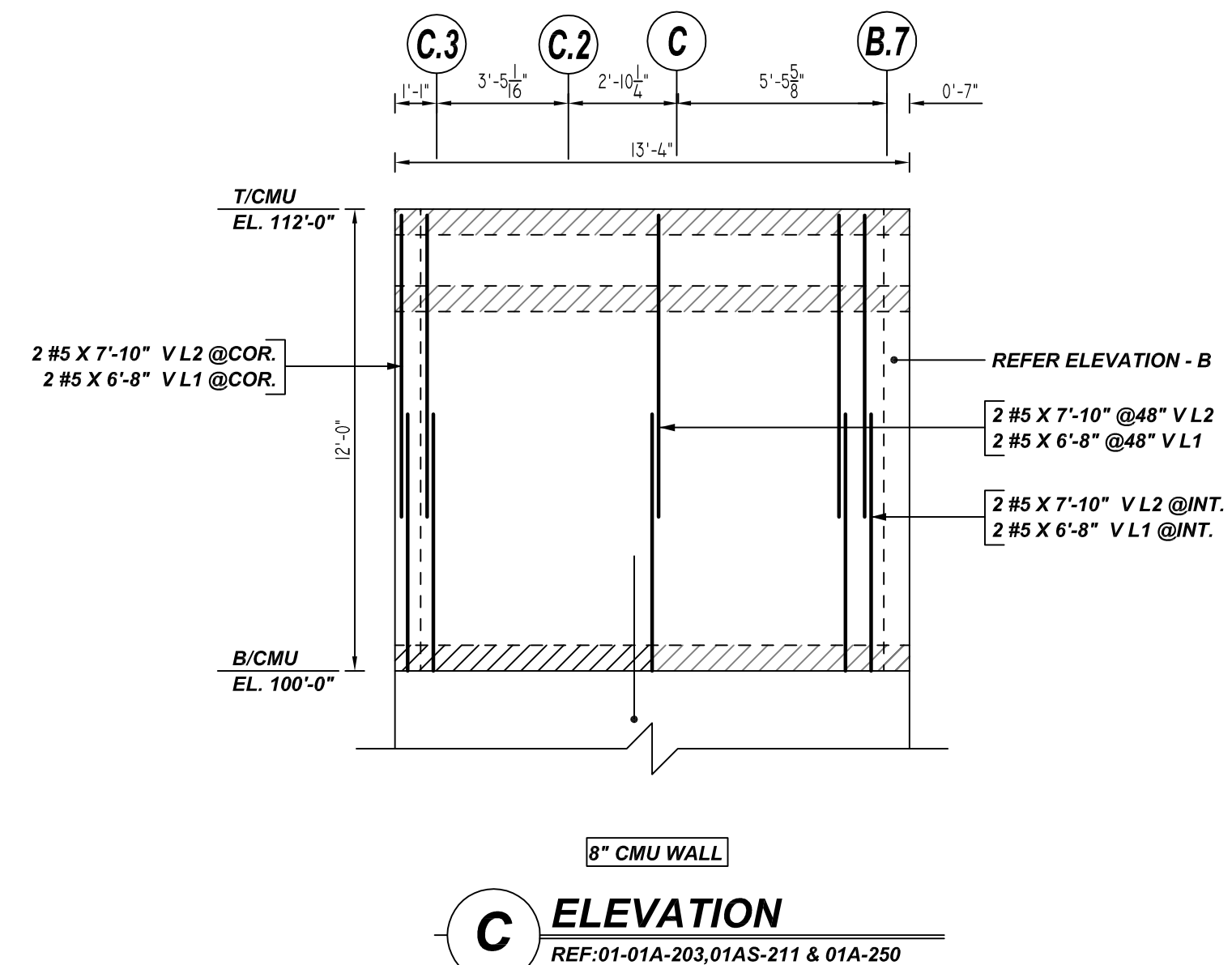
JOB NAME: SUMMIT PKG 3
 JOB NO: 22160
 DETAILS OF: AREA B CMU WALL REINFORCEMENT DETAILS
 DATE: 12-16-22
 DETAILER: SSSTR
 DRWG: M02
 TEXAS REBAR, LLC 817-487-1672



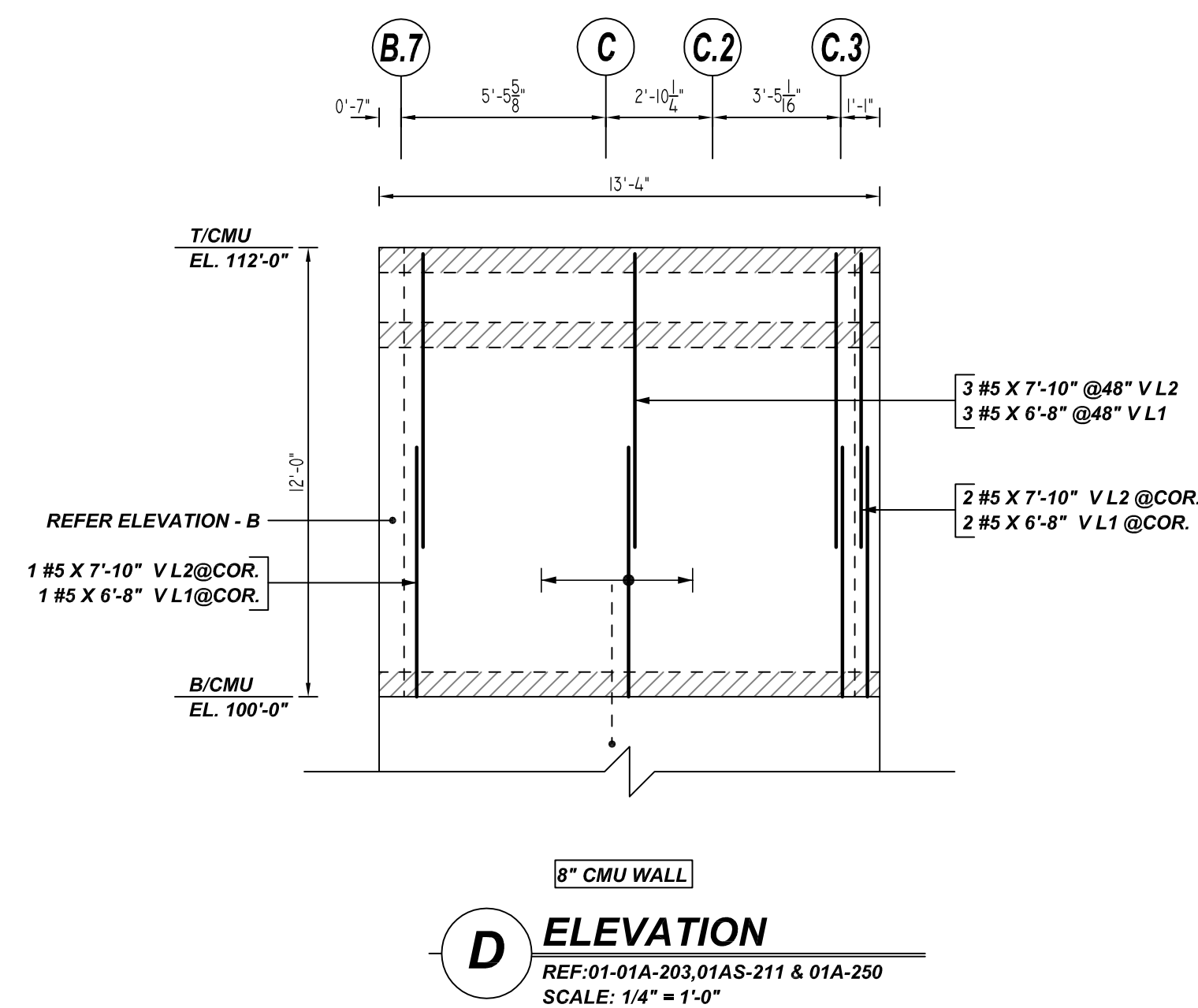
A ELEVATION
REF: 01-01A-203, 01AS-211 & 01A-250
SCALE: 1/4" = 1'-0"



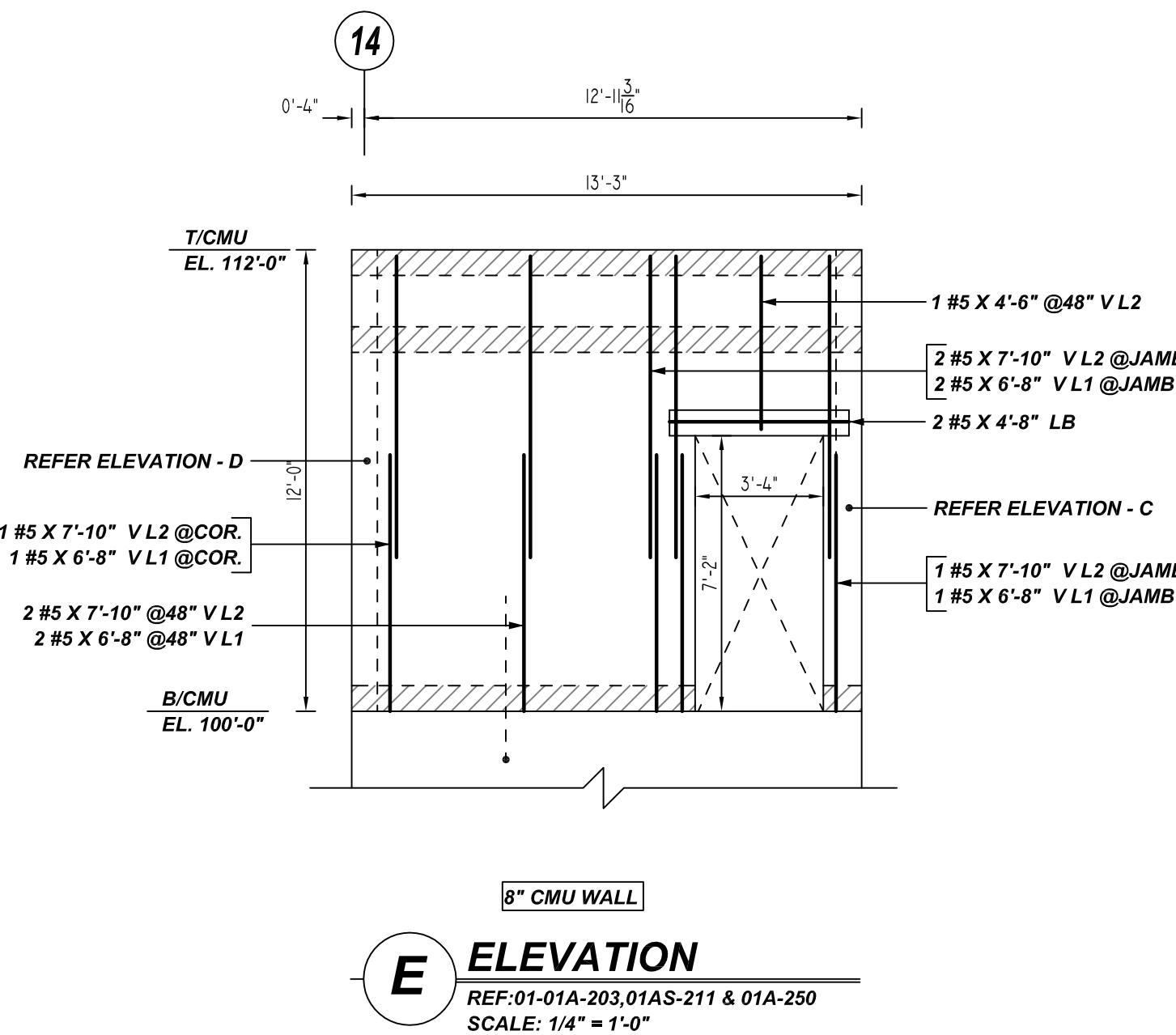
B ELEVATION
REF: 01-01A-203, 01AS-211 & 01A-250
SCALE: 1/4" = 1'-0"



C ELEVATION
REF: 01-01A-203, 01AS-211 & 01A-250
SCALE: 1/4" = 1'-0"



D ELEVATION
REF: 01-01A-203, 01AS-211 & 01A-250
SCALE: 1/4" = 1'-0"

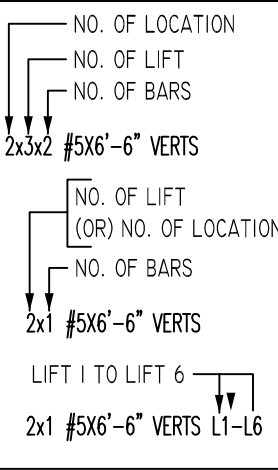


E ELEVATION
REF: 01-01A-203, 01AS-211 & 01A-250
SCALE: 1/4" = 1'-0"

LAP SCHEDULE

BAR#	MASONRY
#3	1'-4"
#4	1'-9"
#5	2'-8"
#6	4'-6"
#7	5'-3"
#8	6'-0"
#9	6'-9"

LEGEND



LOCATION	MIN. COVER
CMU WALL (TOP)	2" CLR

**ALL BARS IN THIS DRAWING
ASTM A615 GRADE 60
BLACK UNCOATED**

PLACING PLAN NOTES

- THIS DRAWINGS FOR REBAR PLACEMENT ASSISTANCE ONLY. REFER TO STRUCTURAL DETAILS FOR CONTRACT REQUIREMENTS.
- SECTIONS/DETAILS DIMENSIONS ON PLACING PLAN ARE FOR REFERENCE AND ARE TO BE USED IN CONJUNCTION WITH CONTRACT DRAWING FOR CRSI MANUAL OF STANDARD PRACTICE.
- REINFORCING STEEL IS DETAILED PER CONTRACT DOCUMENTS ONLY AS SHOWN. CODE COMPLIANCE REQUIREMENTS ARE THE RESPONSIBILITY OF ENGINEER AND/OR CONTRACTOR.
- THE CONTRACTOR UNDERSTANDS THAT THE ENGINEER SHOULD ALWAYS VERIFY SHOP DRAWINGS IF TIME DOES NOT ALLOW FOR APPROVALS. TEXAS REBAR IS NOT HELD RESPONSIBLE FOR UNAPPROVED SHOP DRAWINGS USED IN PLACING CRSI MANUAL OF STANDARD PRACTICE. THE CUSTOMER AND ENGINEER SHOULD REVIEW SHOP DRAWINGS PRIOR TO INSTALLATION TO VERIFY ACCURACY TO STRUCTURAL DRAWINGS.
- DIMENSIONS ELEVATIONS & DRAWINGS SCALES SHOWN ARE FOR REFERENCE ONLY. CONTRACTOR TO PROVIDE LINES, GRADES & TEMPLATES REQUIRED FOR PLACEMENTS.
- SECTIONS & DETAILS MAY NOT BE SHOWN ON ALL PLACING PLANS. KEEP STRUCTURAL DRAWINGS ON SITE FOR USE.
- SOME LAP LENGTHS WILL BE ROUNDED UP IN DETAILING TO PROVIDE FOR 1" INCREMENTS FOR LAPS.
- LAP OR EMBEDMENT LENGTHS SHOWN IN SPECIFIC DETAILS WILL SUPPRESSED LAPS IN THE LAP SCHEDULE.
- VERIFY PLACEMENT DRAWINGS TO LATEST ISSUE OF JOB RECORD DRAWING FOR POSSIBLE REVISIONS OR FIELD CHANGES.
- TYPICAL NOTES & DETAILS ARE USED THROUGHOUT ENTIRE PROJECT & APPLY UNLESS NOTED OTHERWISE.

NO.	REVISION	DESCRIPTION	DATE	BY	CHKD.
			DATE	BY	CHKD.

JOB NAME:	SUMMIT PKG 3
JOB NO:	22160
DETAILS OF:	AREA B CMU WALL REINFORCEMENT DETAILS
DATE:	12-16-22
DETAILER:	SSSTR
DRWG:	M03
TEXAS REBAR, LLC 817-487-1672	