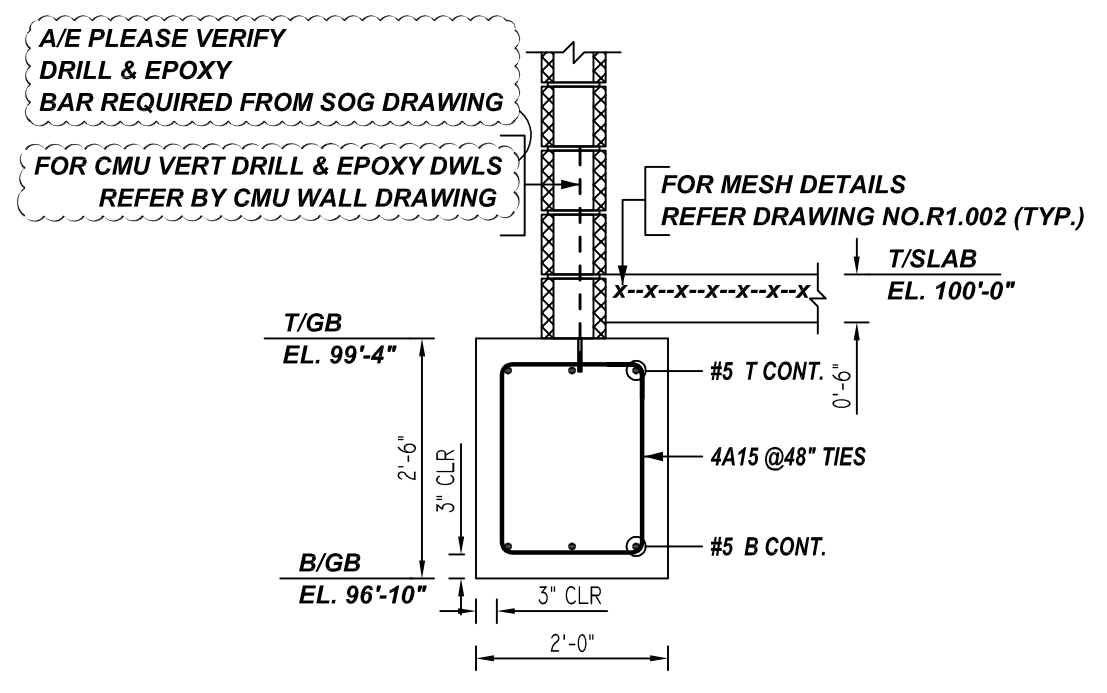
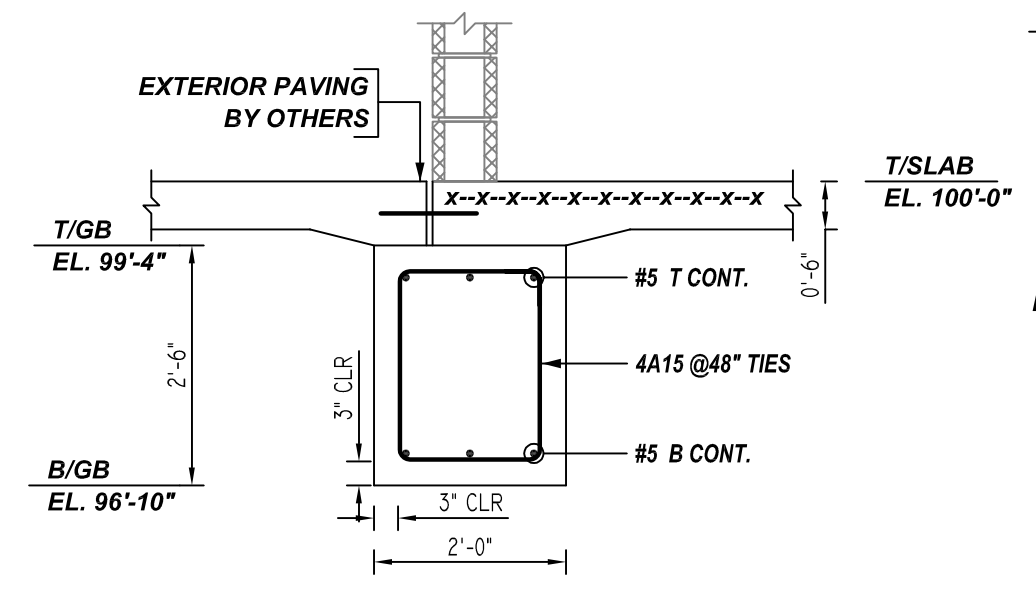


FOUNDATION REINFORCEMENT DETAILS

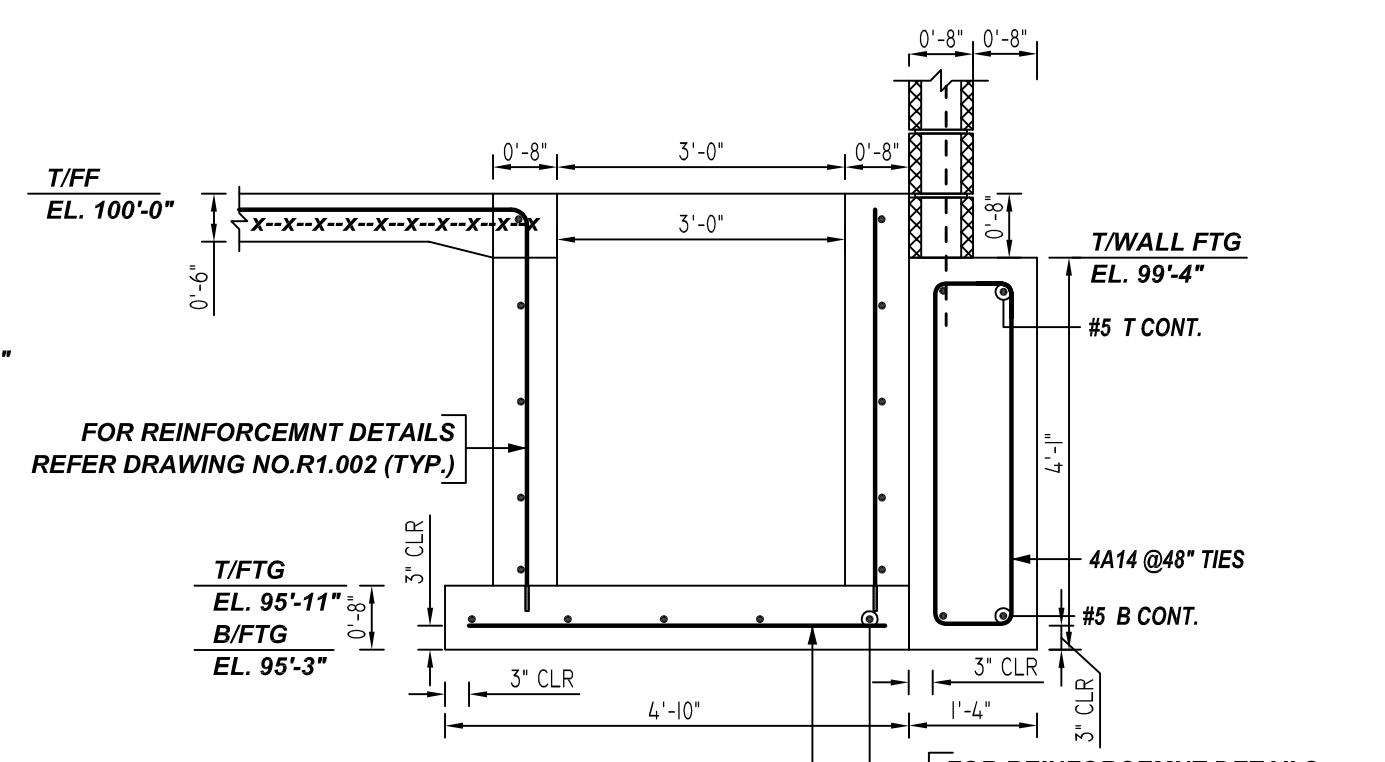
REF: S200
SCALE: 3/16" = 1'-0"



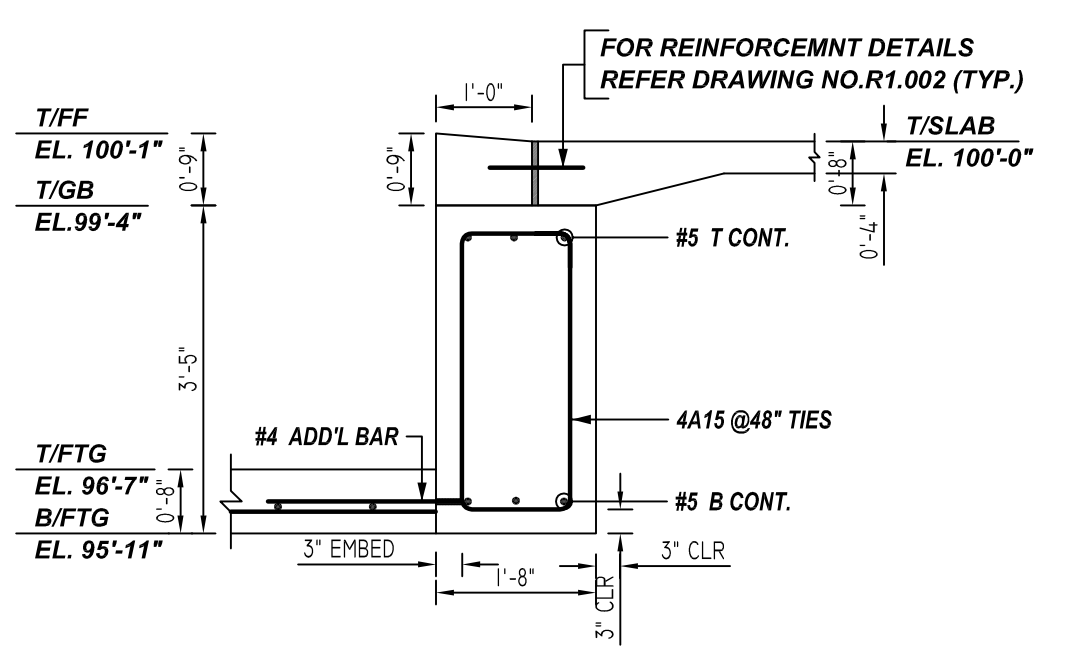
1 SECTION
REF: F1/S210
SCALE: 1/2" = 1'-0"



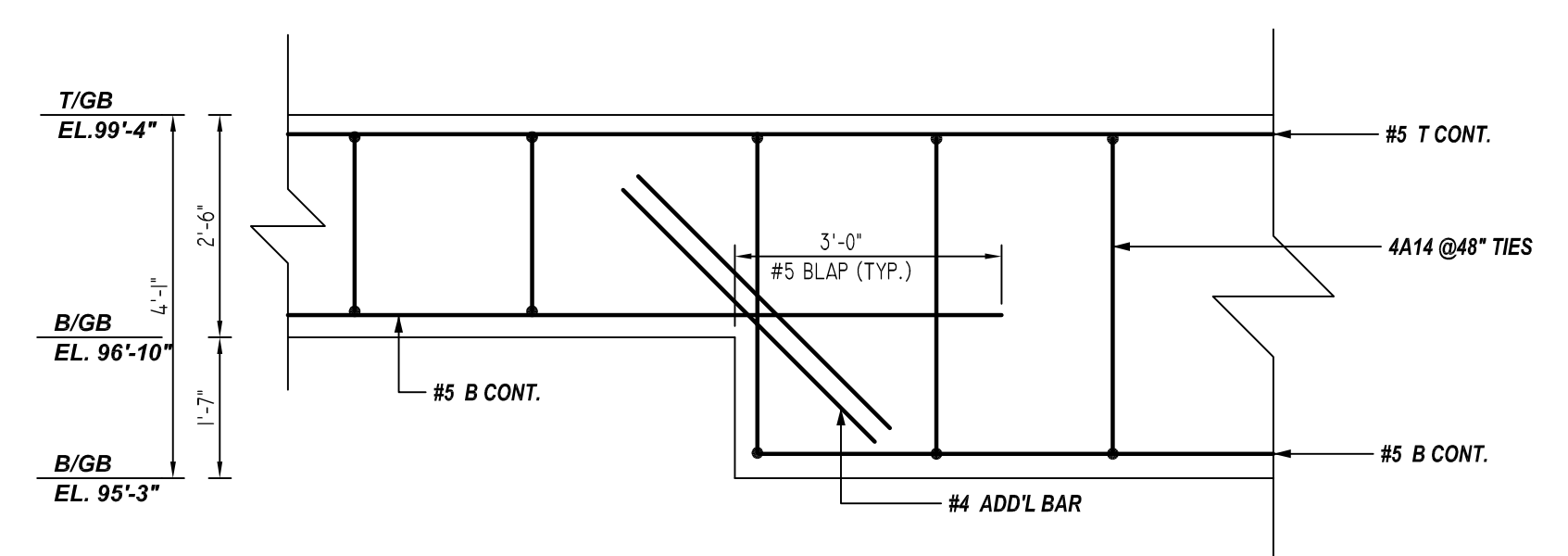
2 SECTION
REF: F2/S210
SCALE: 1/2" = 1'-0"



3 SECTION
REF: F13/S211
SCALE: 1/2" = 1'-0"

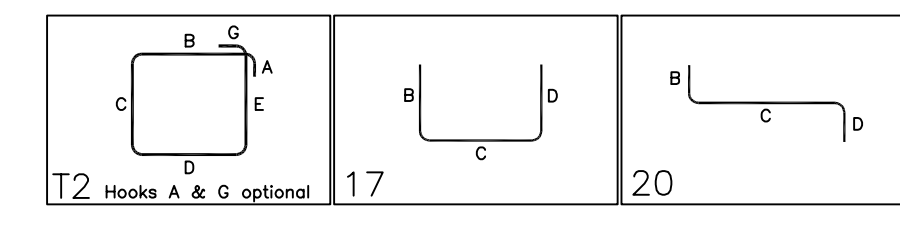


4 SECTION
REF: F14/S211
SCALE: 1/2" = 1'-0"



TYPICAL STEP SECTION
REF: S211
SCALE: 1/2" = 1'-0"

Release Number: R1.001		BENDING DETAILS													
Bar Mark	Qty	Size	Total Length	Type	X	Y	Z	W	V	U	T	S	R	Q	P
4A15	4	#4	38'-4"	T2	0'-4 1/2"	0'-10"	3'-7"	0'-10"	3'-7"	0'-4 1/2"					
4A15	88	#4	882'-0"	T2	0'-4 1/2"	1'-5"	2'-0"	1'-5"	2'-0"	0'-4 1/2"					
4A16	3	#4	26'-0"	T2	0'-4 1/2"	1'-2"	2'-11"	1'-2"	2'-11"	0'-4 1/2"					
4A17	4	#4	33'-0"	T2	0'-4 1/2"	2'-0"	1'-5"	2'-0"	1'-5"	0'-4 1/2"					
4A19	6	#4	54'-6"	T2	0'-4 1/2"	2'-2"	2'-0"	2'-2"	2'-0"	0'-4 1/2"					
5A01	24	#5	144'-0"	T1	3'-0"	3'-0"									
5A02	24	#5	188'-0"	T1	3'-11"	3'-11"									
5A03	6	#5	51'-0"	T1	3'-11"	0'-5"	3'-11"								
5A04	6	#5	42'-0"	T1	3'-0"	0'-5"	3'-0"								



LAP SCHEDULE
3000 PSI (CLASS-B) CASE - 1
Per ACI 318 (12.2.2)

BAR#	LENGTHS	
	TOP	OTHERS
#3	2'-4"	1'-10"
#4	3'-1"	2'-5"
#5	3'-11"	3'-0"
#6	4'-8"	3'-7"
#7	6'-9"	5'-3"
#8	7'-9"	6'-0"
#9	8'-9"	6'-9"
#10	9'-10"	7'-7"
#11	10'-11"	8'-5"

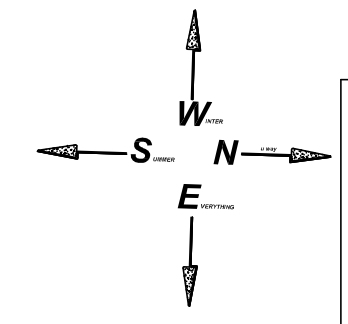
**ALL BARS IN THIS DRAWING
ASTM A615 GRADE 60
BLACK UNCOATED**

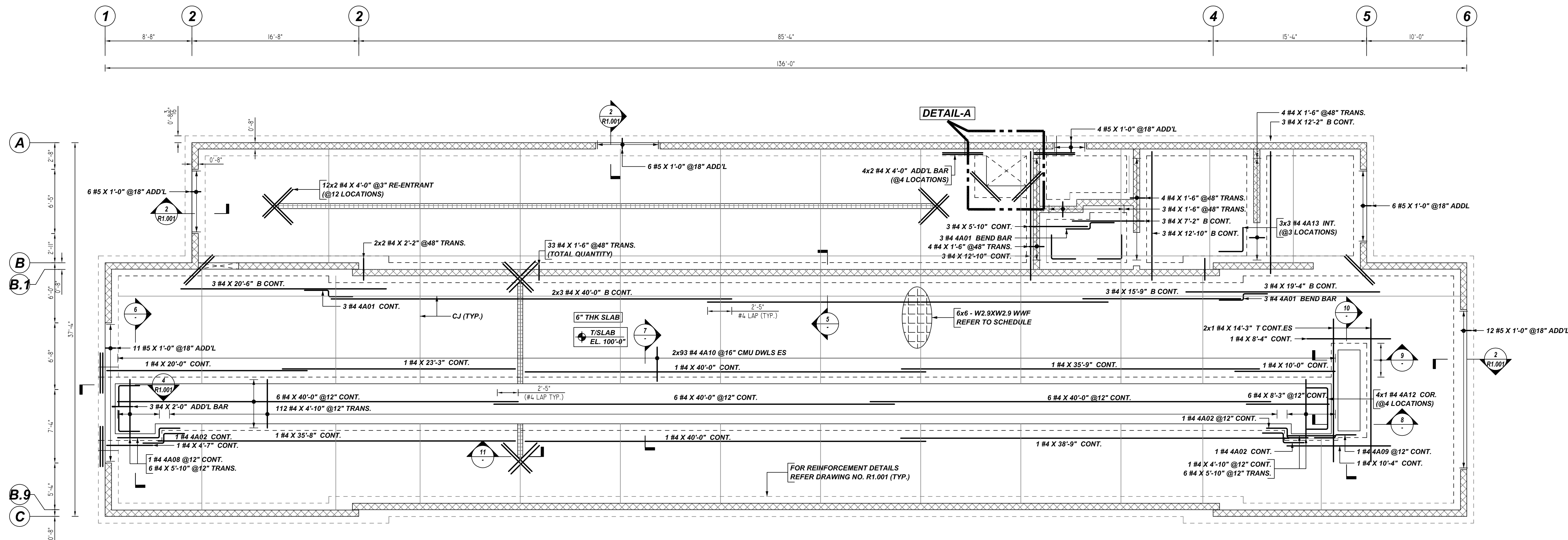
TYPICAL REINFORCING BAR CLEARANCE TABLE	
LOCATION	MIN. COVER
BEAM TOP & BOTTOM	3" CLR
BEAM EDGE	3" CLR
FOOTING TOP & BOTTOM	3" CLR
FOOTING EDGE	3" CLR

ALL TOP BARS ARE DEFINED AS HORIZ BARS WITH MORE THAN 12" OF CONCRETE BELOW BARS.

REV	DATE	DESCRIPTION
1	12-20-22	FOUNDATION REINFORCEMENT DETAILS
-	-	-
-	-	-
-	-	-
-	-	-
-	-	-

DATE: 12/20/22	CONTRACTOR: KARRENBROCK CONSTRUCTION	DWG. NO. R1.001
MATERIAL: -	JOB: 222924	SHEET 1
DWN BY: BCS	JOB NAME: CLUB CAR WASH	REVISIONS: 0
CHKD: BCS	DESCRIPTION: FOUNDATION REINFORCEMENT DETAILS	
SCALE: 3/16"		



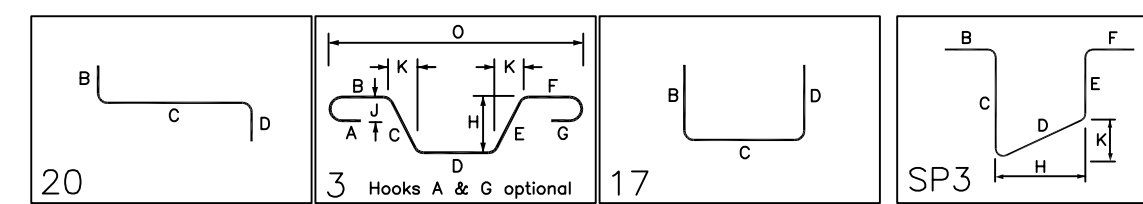


TRENCH AND SLAB ON GRADE REINFORCEMENT DETAILS

REF: S200, S210 & S211
SCALE: 3/16" = 1'-0"

Release Number: R1.002

Bar Mark	Qty	Size	Total Length	Type	X	Y	Z	W	V	U	T	S	R	Q	P	O	N	M	L	K	J	I	H	G	F	E	D	C	B	A		
4A01	9	#4	49'-8"	20																												
4A02	3	#4	15'-8"	20																												
4A04	2	#4	10'-5"	20																												
4A05	2	#4	9'-11"	20																												
4A06	2	#4	10'-11"	20																												
4A07	6	#4	19'-11"	3																												
4A08	1	#4	7'-3"	20																												
4A09	1	#4	4'-8"	20																												
4A10	186	#4	1003'-0"	17																												
4A12	4	#4	16'-8"	17																												
4A13	9	#4	43'-8"	17																												
4A18	4	#4	24'-3"	20																												



MESH DETAILS

S. NO	ELEMENT	MESH SIZE	SHEETS	AREA	REMARK
1	6" THK SLAB ON GRADE	6x6 - W2.9XW2.9 WWF	40	4100 SQ.FT	8'-0" X 15'-0" SHEET SIZE (15% LAP ADDED)

ACCESSORIES DETAILS

S. NO	ELEMENT	DESCRIPTION	PCS	LFT	REMARK
1	6" THK SOG	2" HT SB @4'-0" C/C	-	1050 LFT	FOR MESH SUPPORT (@ BOTTOM)

LAP SCHEDULE

3000 PSI (CLASS-B) CASE - 1
Per ACI 318 (12.2.2)

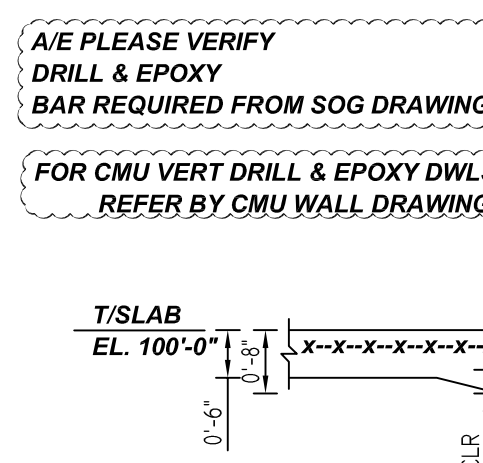
BAR#	LENGTHS	
	TOP	OTHERS
#3	2'-4"	1'-10"
#4	3'-1"	2'-5"
#5	3'-11"	3'-0"
#6	4'-8"	3'-7"
#7	6'-9"	5'-3"
#8	7'-9"	6'-0"
#9	8'-9"	6'-9"
#10	9'-10"	7'-7"
#11	10'-11"	8'-5"

TYPICAL REINFORCING BAR CLEARANCE TABLE

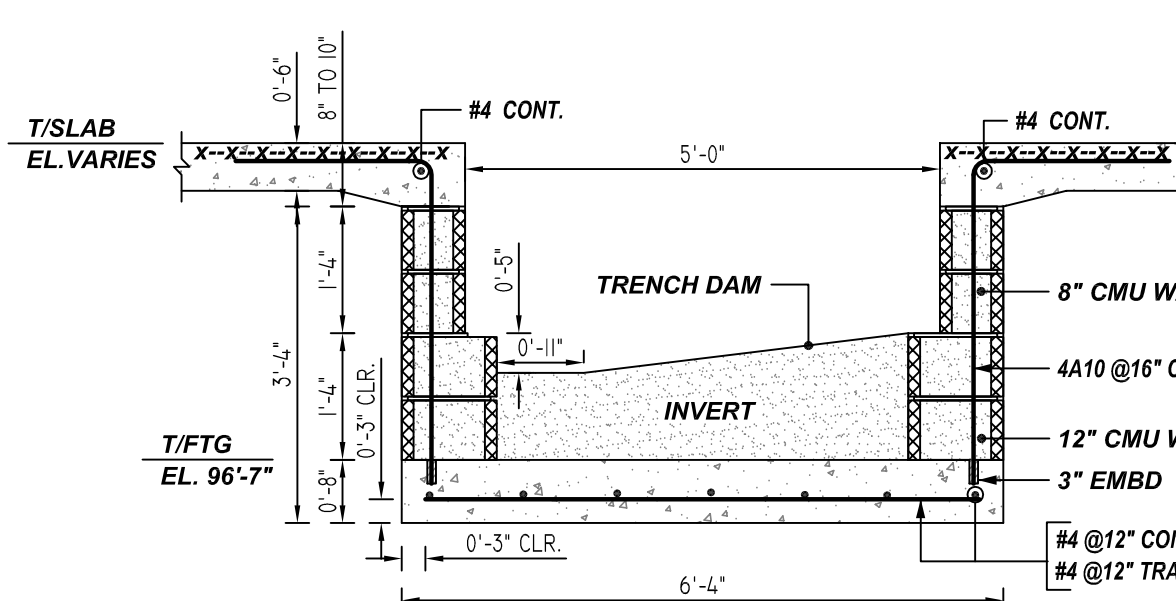
LOCATION	MIN. COVER
FOOTING TOP & BOTTOM	3" CLR
SLAB ON GRADE	2" CLR

**ALL BARS IN THIS DRAWING
ASTM A615 GRADE 60
BLACK UNCOATED**

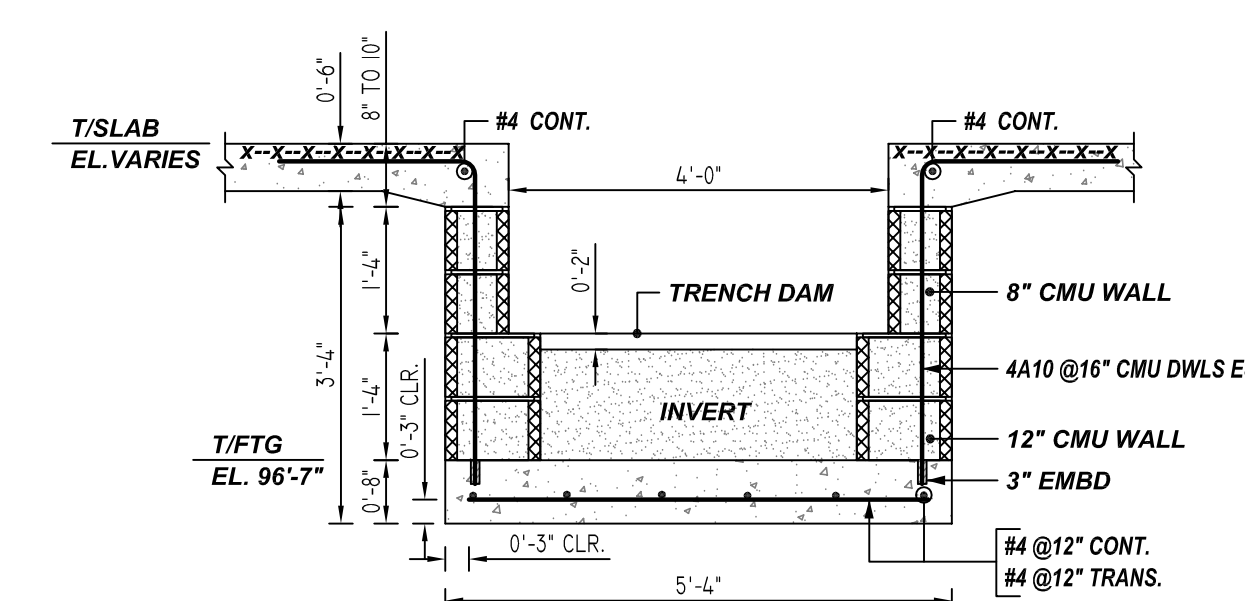
ALL TOP BARS ARE DEFINED AS HORIZ BARS WITH MORE THAN 12" OF CONCRETE BELOW BARS.



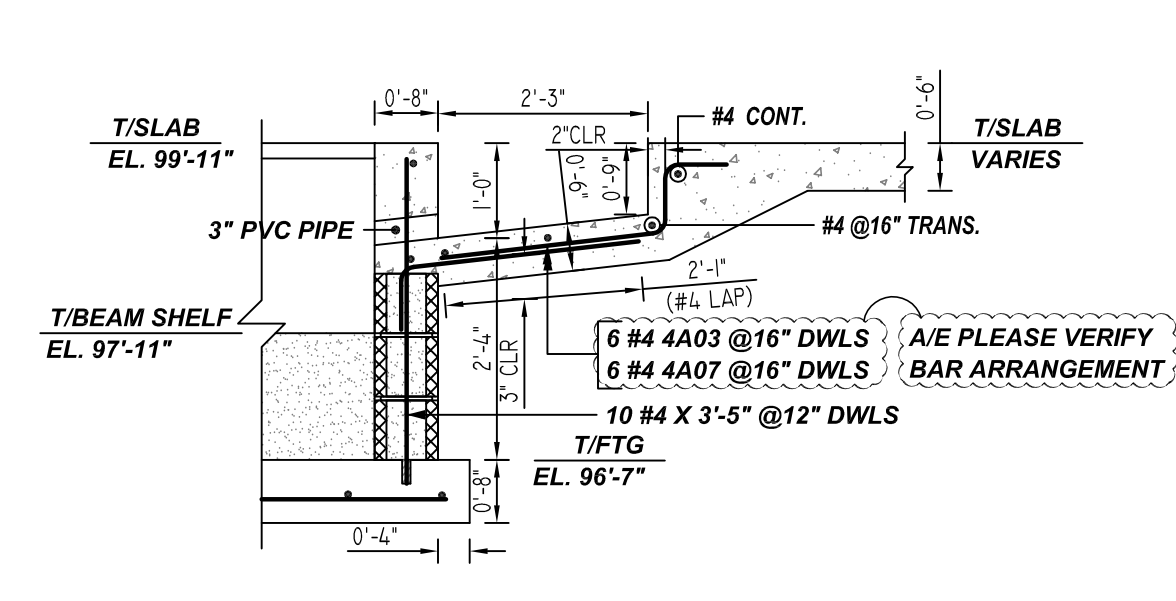
5 SECTION
REF: FS/S210
SCALE: 1/2" = 1'-0"



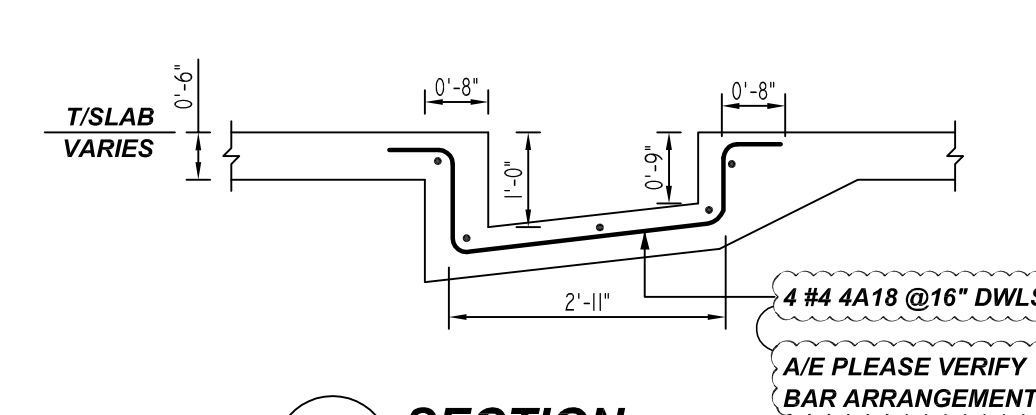
6 SECTION
REF: S200 & F11/S210
SCALE: 1/2" = 1'-0"



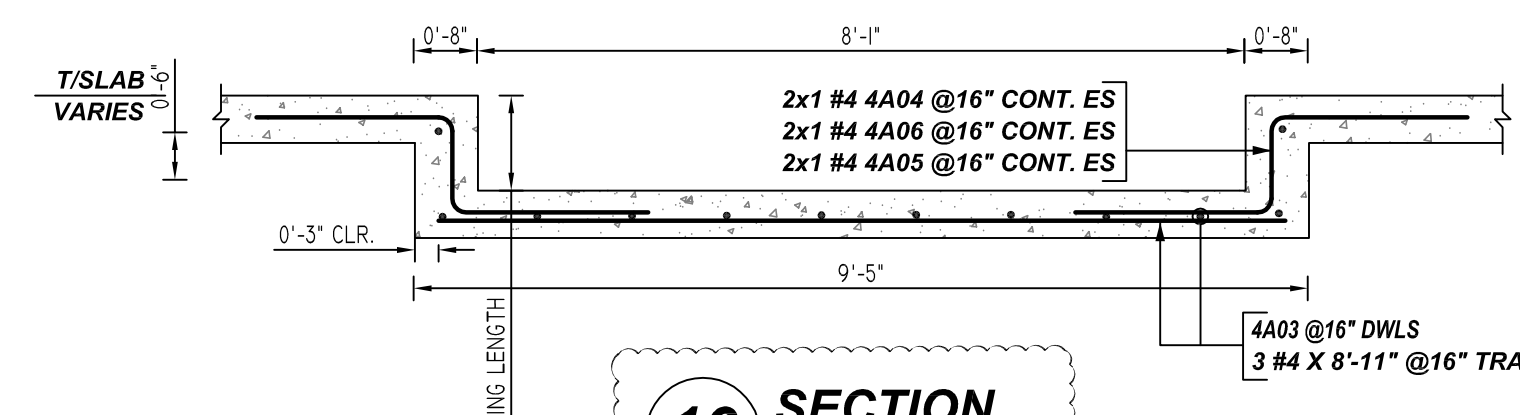
7 SECTION
REF: S200 & F8/S210
SCALE: 1/2" = 1'-0"



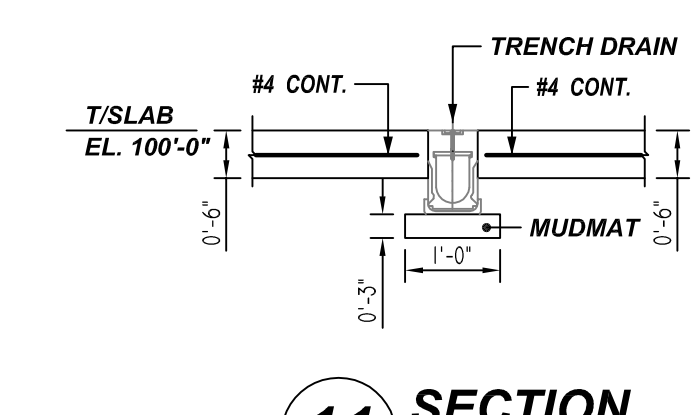
8 SECTION
REF: S200 & F12/S210
SCALE: 1/2" = 1'-0"



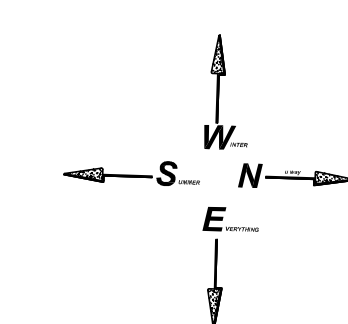
9 SECTION
REF: S200 & F12/S210
SCALE: 1/2" = 1'-0"



10 SECTION
REF: S200 & F12/S210
SCALE: 1/2" = 1'-0"

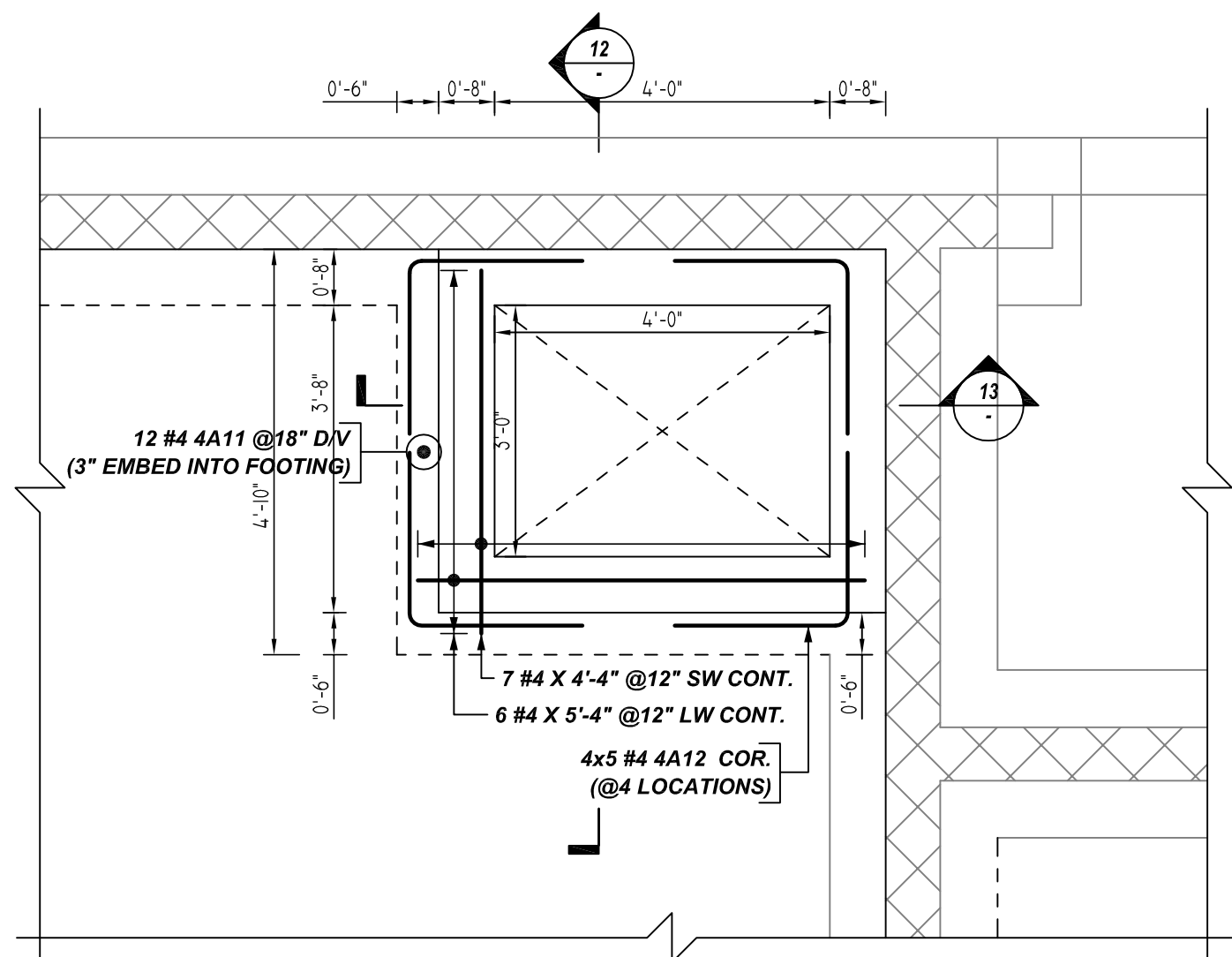


11 SECTION
REF: S211 & F15/S200
SCALE: 1/2" = 1'-0"



REV	DATE	DESCRIPTION
1	12-20-22	TRENCH AND SOG REINFORCEMENT DETAILS
-	-	-
-	-	-
-	-	-
-	-	-
-	-	-
-	-	-
-	-	-
-	-	-
-	-	-

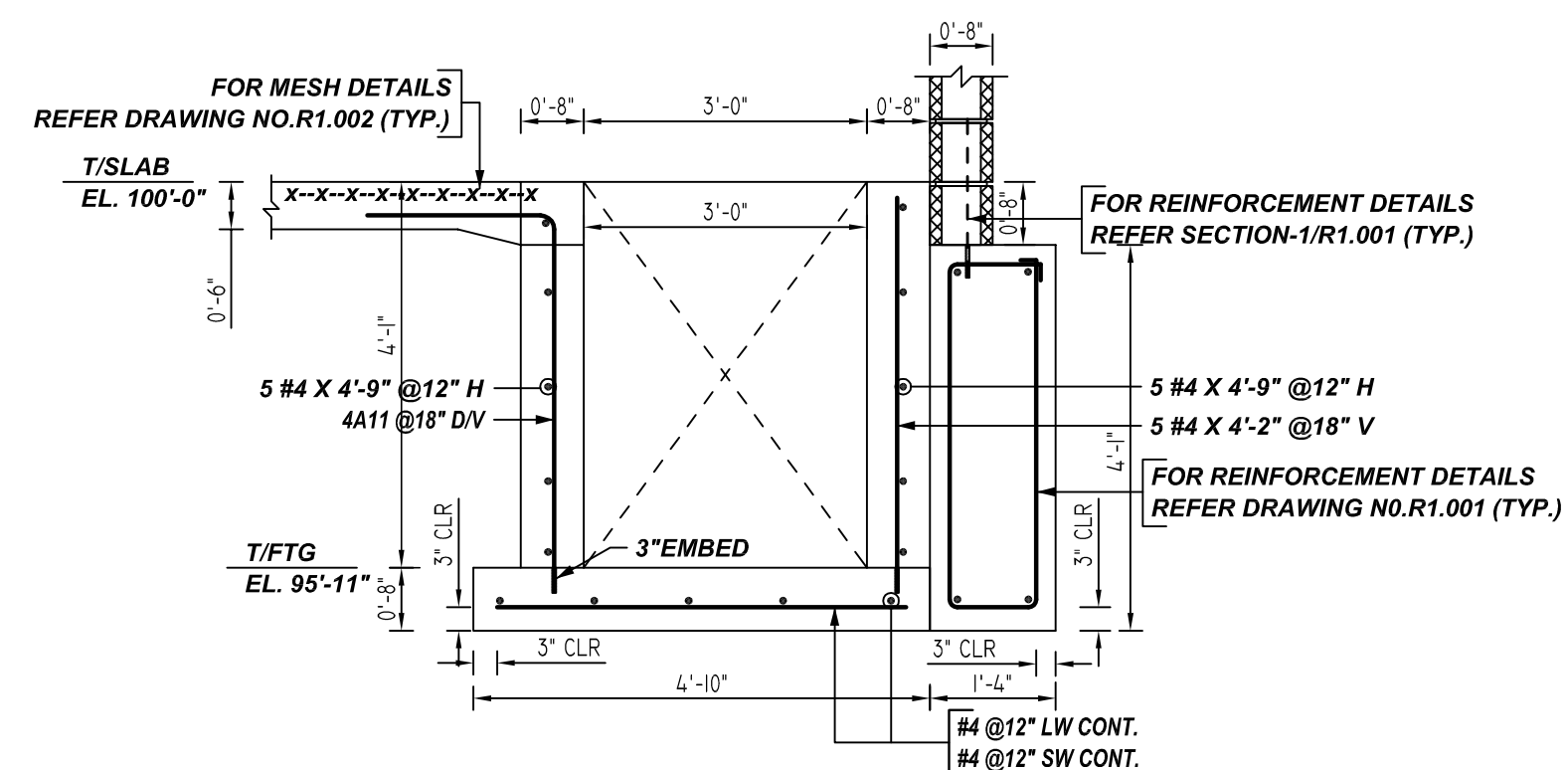
DATE: 12/20/22	CONTRACTOR: KARRENBROCK CONSTRUCTION	DWG. NO. R1.002
MATERIAL: -	JOB: 222924	SHEET 2
DWN BY: BCS	JOB NAME: CLUB CAR WASH	REVISIONS: 0
CHKD: BCS	DESCRIPTION: TRENCH AND SOG REINFORCEMENT DETAILS	
SCALE: 3/16"		



(TRENCH REINFORCEMENT DETAILS)

DETAIL-A

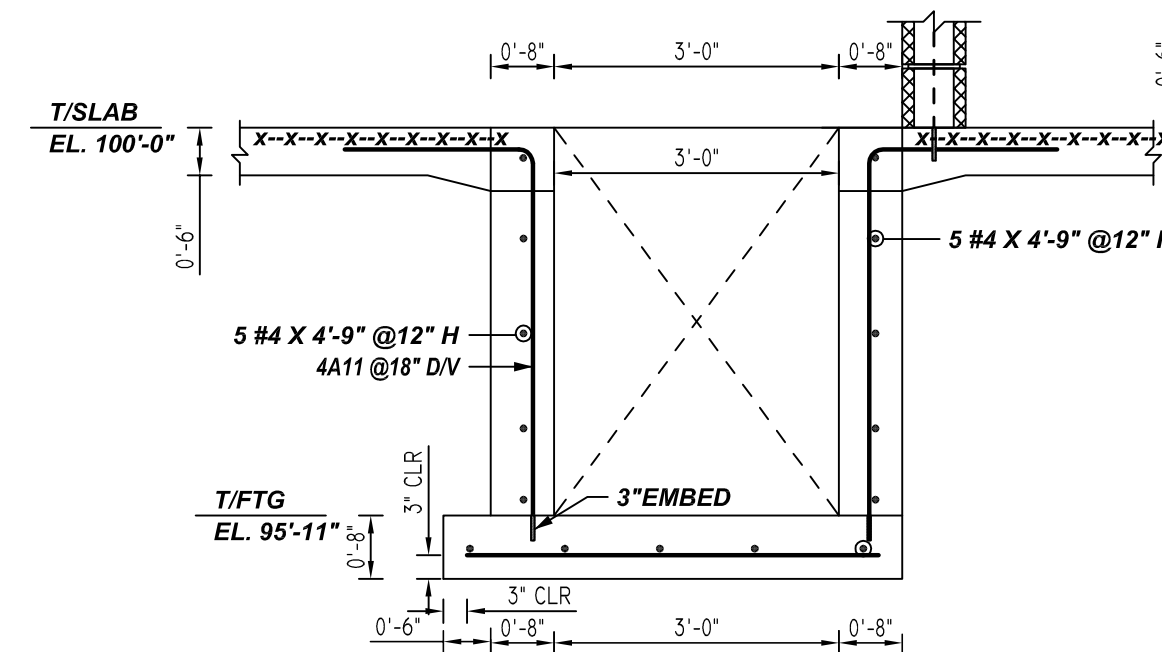
REF: F13S211
SCALE: 1/2" = 1'-0"



12 SECTION

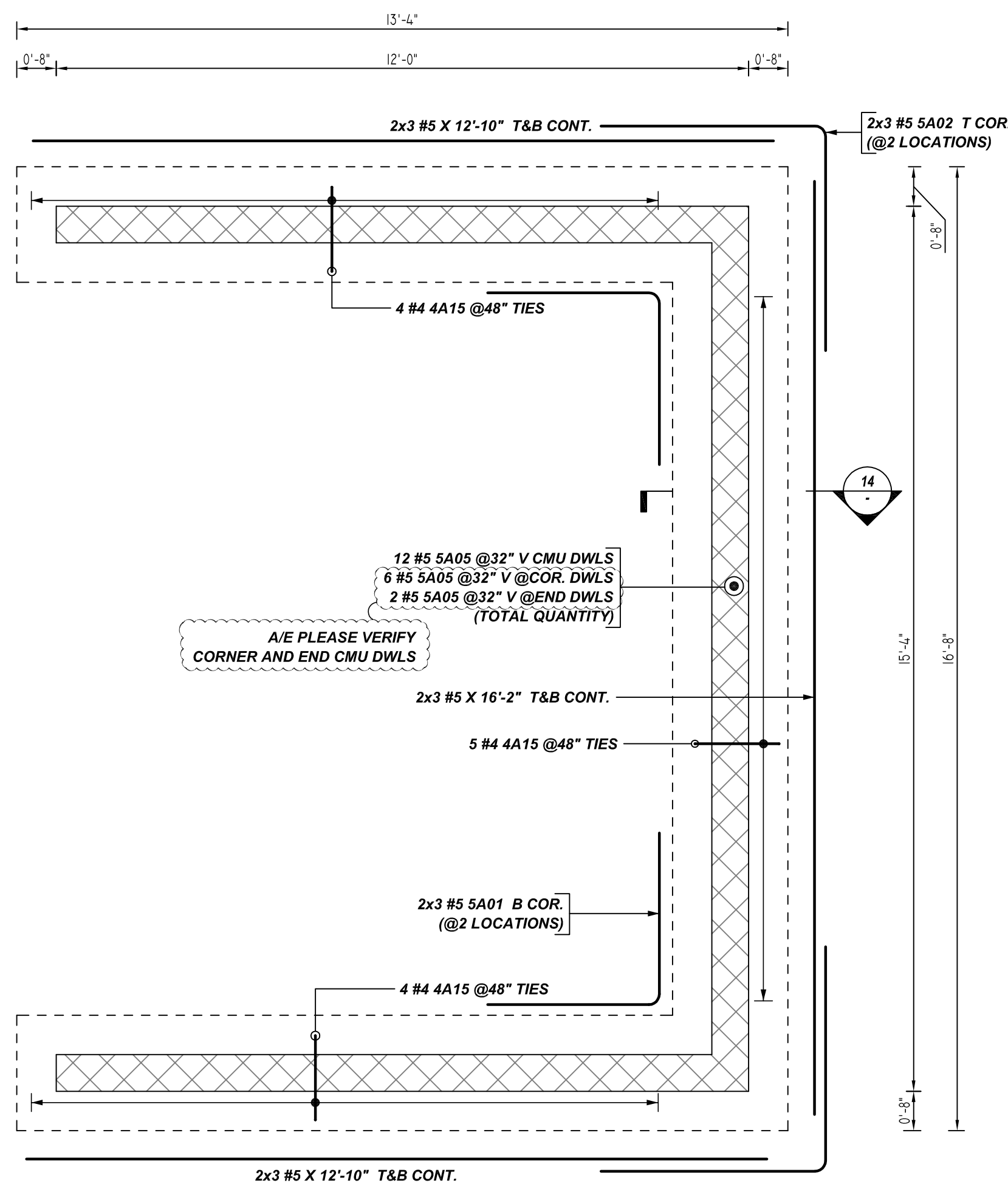
REF: F13S211
SCALE: 1/2" = 1'-0"

A/E PLEASE VERIFY PROFILE AND BAR ARRANGEMENT WE FOLLOWED (TYP.)



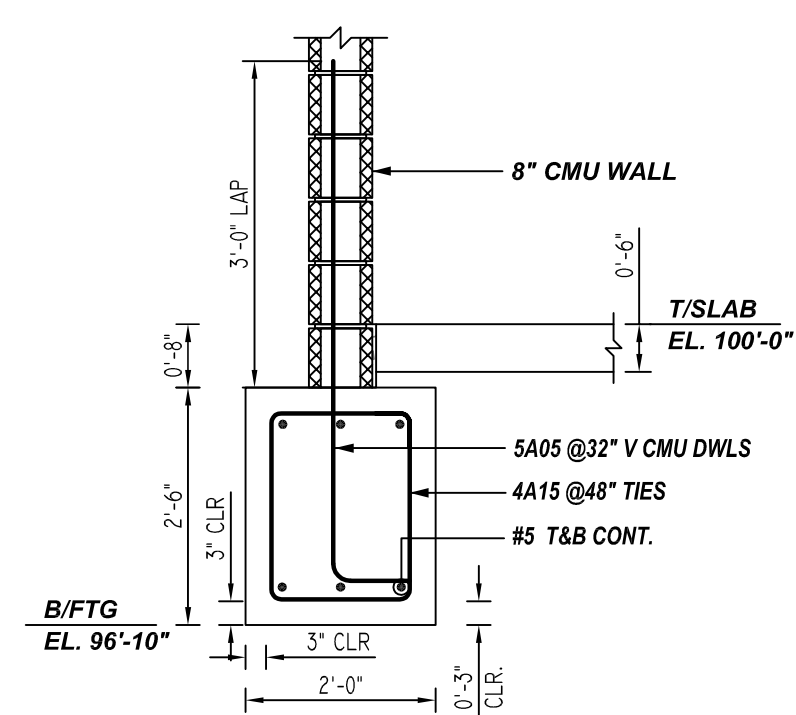
13 SECTION

REF: F13S211
SCALE: 1/2" = 1'-0"



DUMPSTER FOUNDATION REINFORCEMENT DETAILS

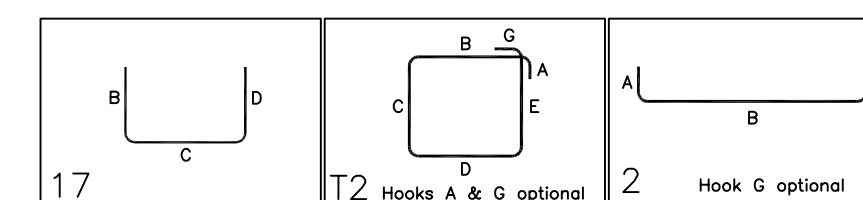
REF: S200/2
SCALE: 1/2" = 1'-0"



14 SECTION

REF: S211/F20
SCALE: 1/2" = 1'-0"

Release Number: R1.003		BENDING DETAILS															
Bar Mark	Qty	Size	Total Length	Type	X	Y	Z	W	V	U	T	S	R	Q	P	O	
4A11	12	#4	72'-0"	17													
4A12	20	#4	83'-4"	17													
4A15	15	#4	105'-9"	12	0'-4 1/2"	1'-5"	2'-0"	1'-8"	2'-0"								
5A01	6	#5	36'-0"	17													
5A02	4	#5	47'-0"	17													
5A05	20	#5	126'-8"	2	0'-10"	5'-5"											



LAP SCHEDULE

3000 PSI (CLASS-B) CASE - 1
Per ACI :318 (12.2.2)

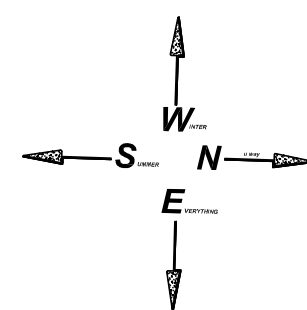
BAR#	LENGTHS	
	TOP	OTHERS
#3	2'-4"	1'-10"
#4	3'-1"	2'-5"
#5	3'-11"	3'-0"
#6	4'-8"	3'-7"
#7	6'-9"	5'-3"
#8	7'-9"	6'-0"
#9	8'-9"	6'-9"
#10	9'-10"	7'-7"
#11	10'-11"	8'-5"

ALL TOP BARS ARE DEFINED AS HORIZ BARS WITH MORE THAN 12" OF CONCRETE BELOW BARS.

TYPICAL REINFORCING BAR CLEARANCE TABLE	
LOCATION	MIN. COVER
FOOTING TOP & BOTTOM	3" CLR
SLAB ON GRADE	2" CLR

**ALL BARS IN THIS DRAWING
ASTM A615 GRADE 60
BLACK UNCOATED**

REV	DATE	DESCRIPTION
1	12-20-22	TRENCH AND DUMPSTER FOUNDATION REINFORCEMENT DETAILS
-	-	-
-	-	-
-	-	-
-	-	-
-	-	-



DATE: 12/20/22	CONTRACTOR: KAREN BROCK CONSTRUCTION	DWG. NO. R1.003
MATERIAL: -	JOB: 222924	SHEET 3
DWN BY: BCS	JOB NAME: CLUB CAR WASH	REVISIONS: 0
CHKD: BCS	DESCRIPTION: TRENCH AND DUMPSTER FOUNDATION REINFORCEMENT DETAILS	
SCALE: 1/2"		