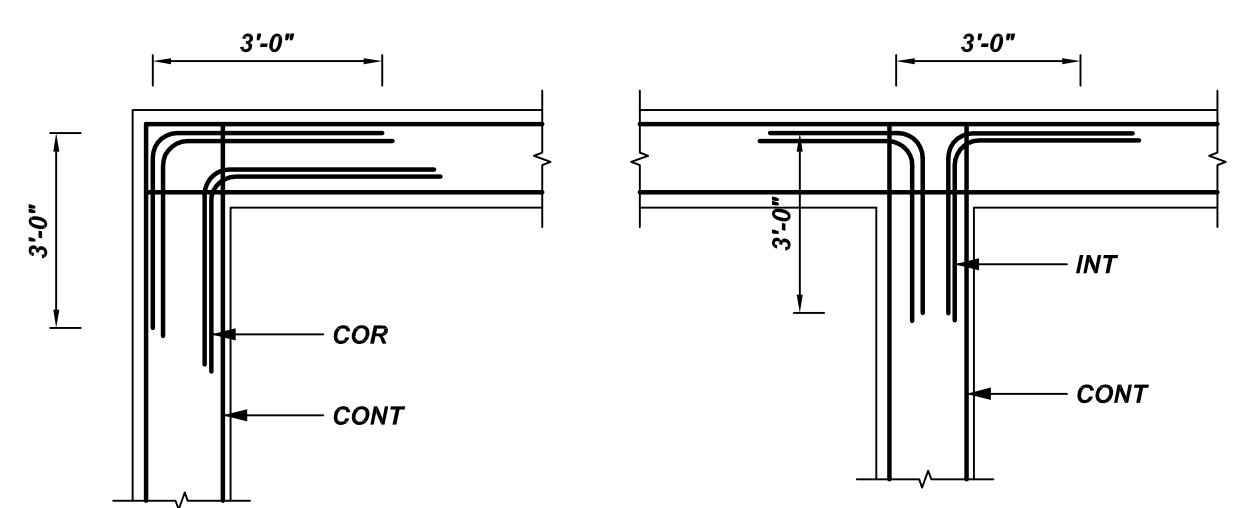


FOUNDATION REINFORCEMENT DETAILS
 SCALE - 1/7" = 1'-0"
 REF-S2.0

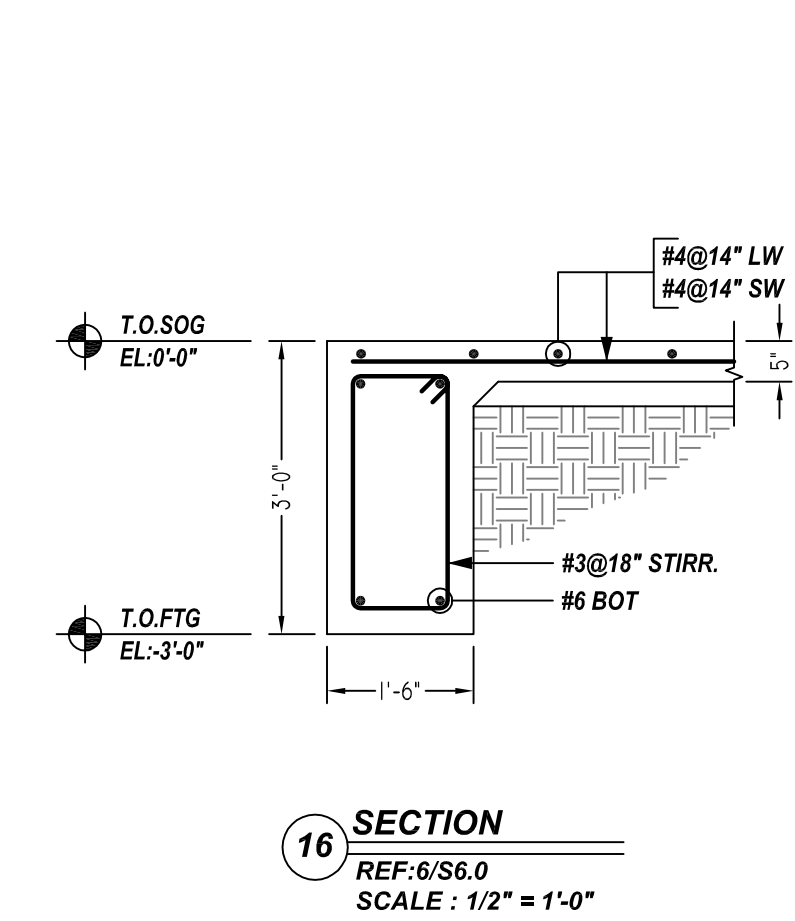
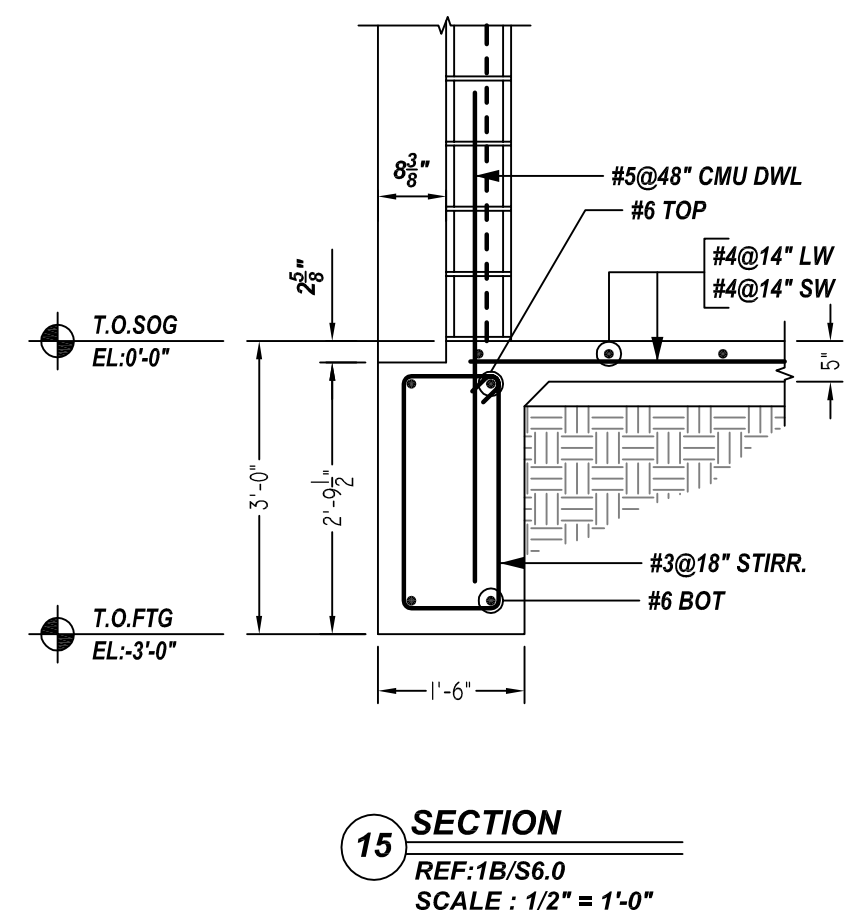
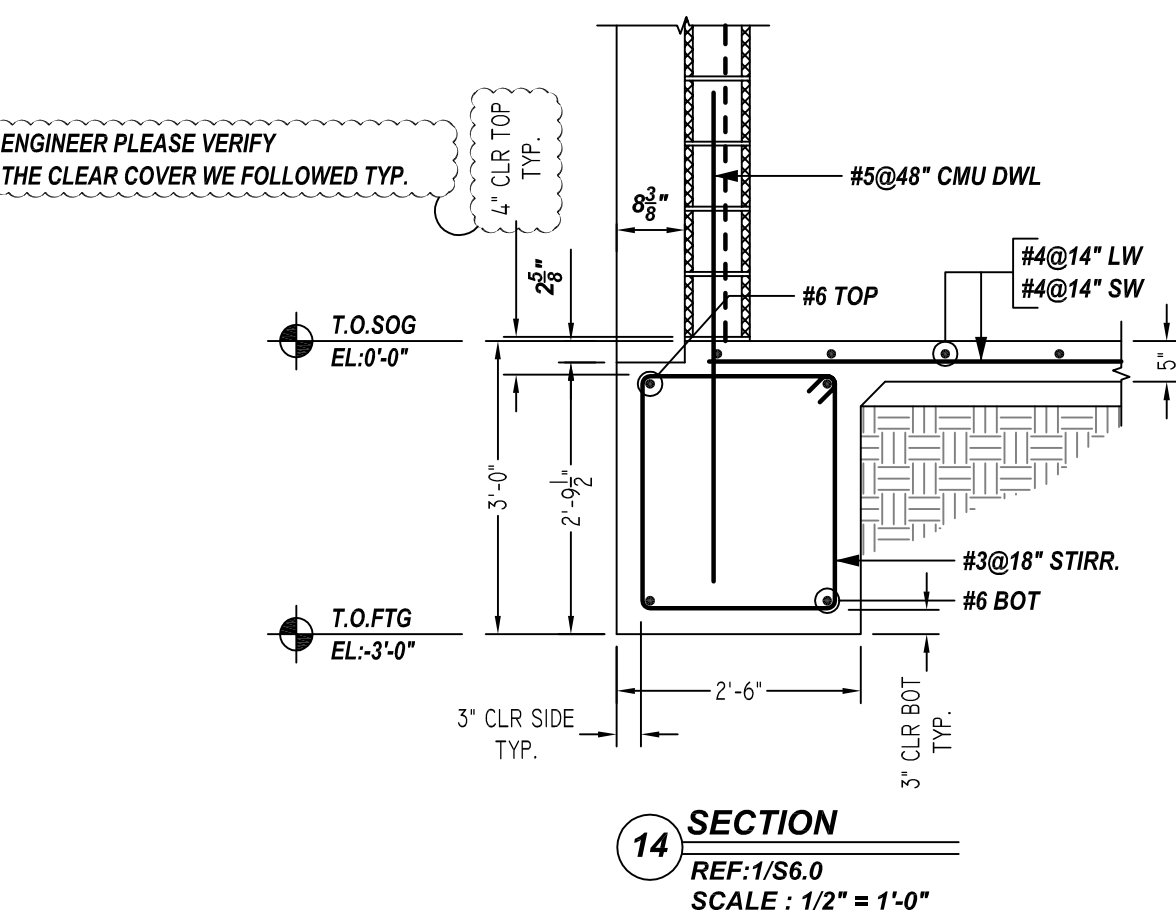
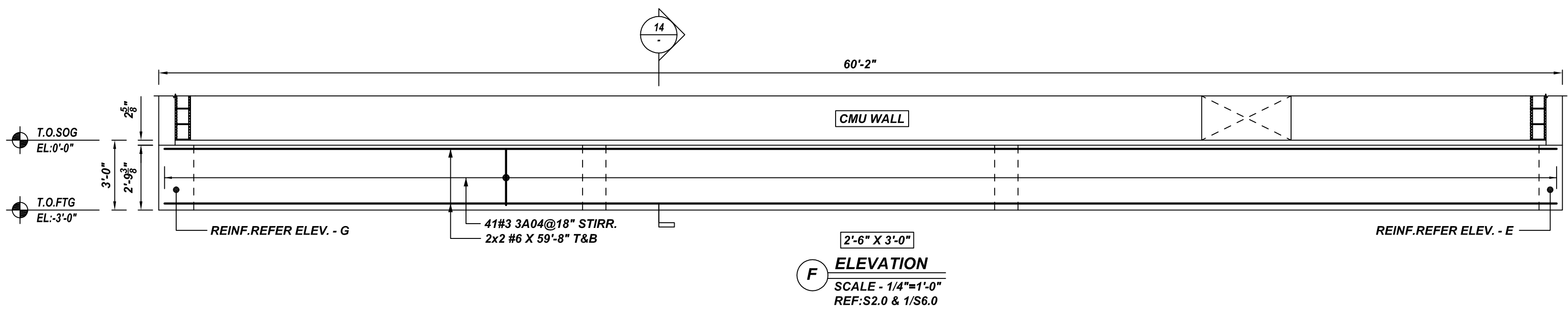
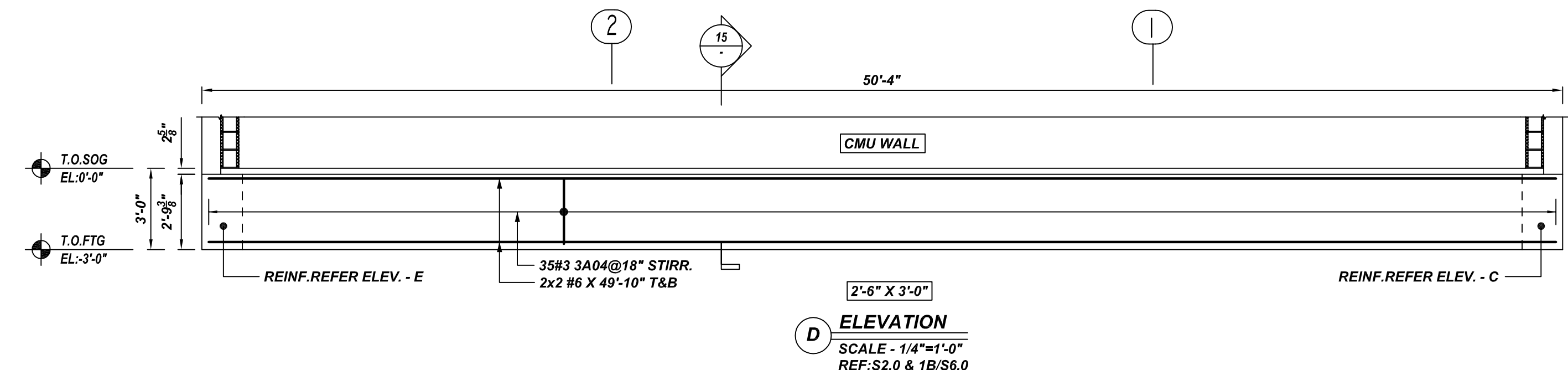
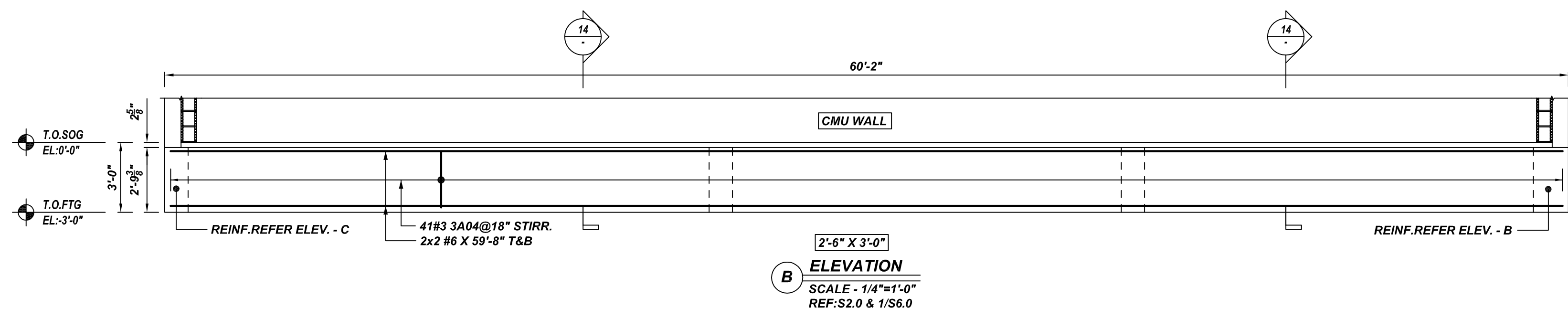
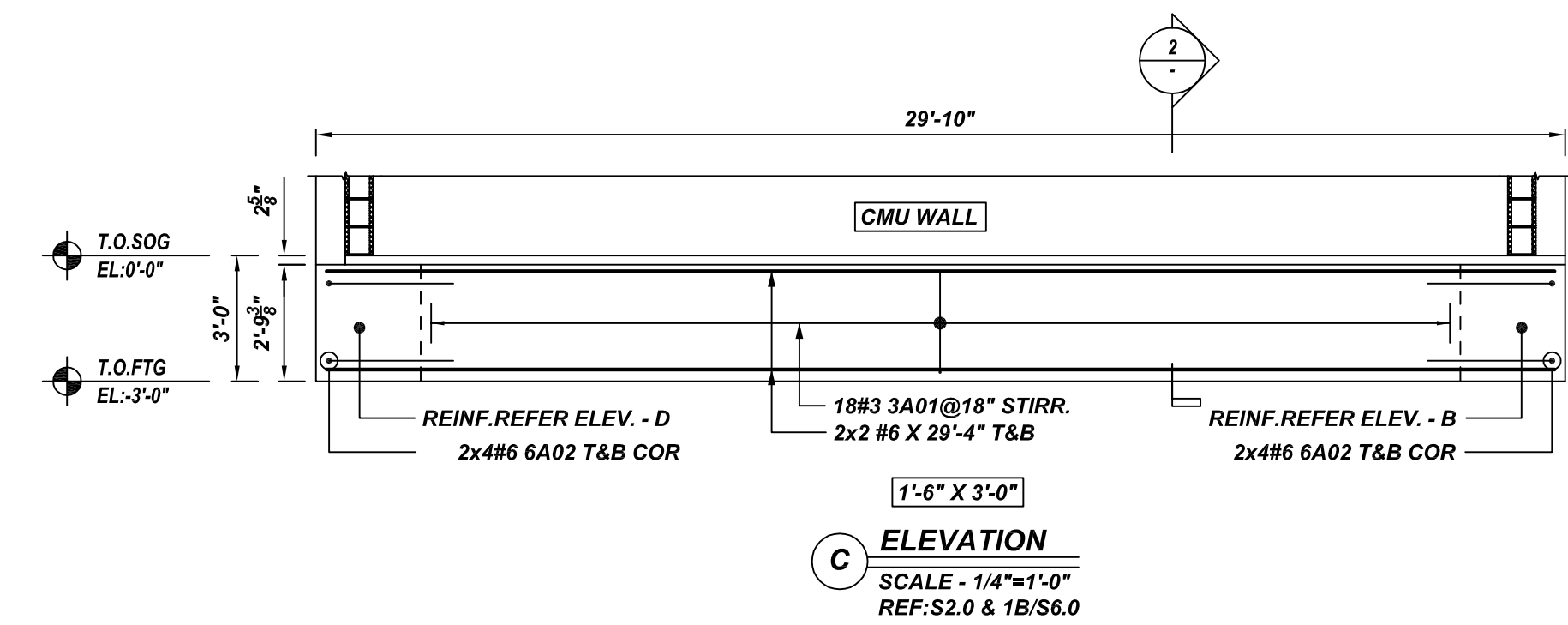
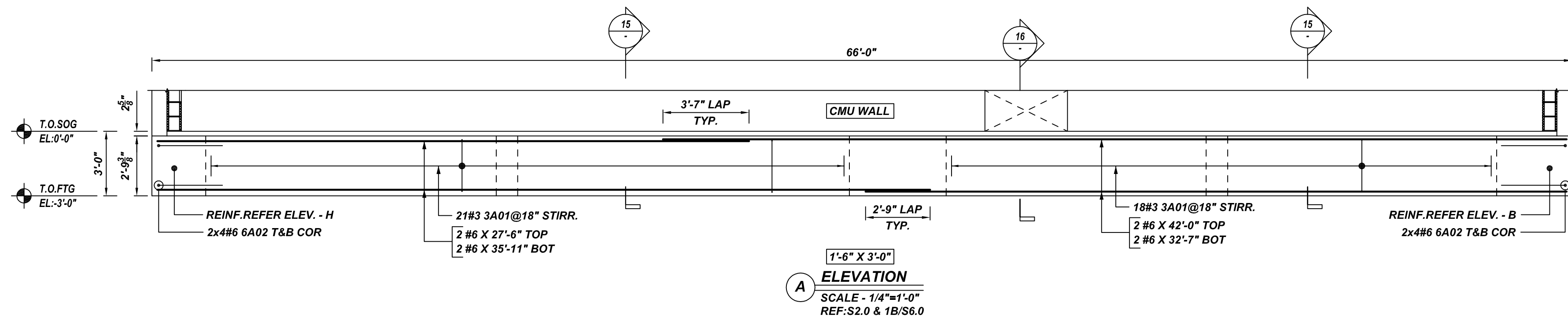


TYPICAL COR INT DETAILS
 REF-2/S5.0
 SCALE : 1/2" = 1'-0"

COLUMN FOOTING SCHEDULE			
TYPE	A	DEPTH	REINFORCEMENT
S2	2'-6"X2'-6"	3'-0"	#5 AT 12" O.C. E.W. TOP & BOT
S3	3'-6"X3'-6"	3'-0"	#5 AT 12" O.C. E.W. TOP & BOT
S4	4'-6"X4'-6"	3'-0"	#5 AT 12" O.C. E.W. TOP & BOT
S5	5'-6"X5'-6"	3'-0"	#5 AT 12" O.C. E.W. TOP & BOT

SUBMITTAL RECORD		PROJECT INFORMATION	
DATE: 09-15-21	FOR: FOR APPROVAL	CUSTOMER: ECON CONSTRUCTION	JOB #: 5270
DATE:	FOR:	JOB NAME: PCT 4 NEW JUSTICE CENTER	DETAILER: BCS
DATE:	FOR:	LOCATION: HIDALGO COUNTY, TX	PHONE: 281-559-5864
DATE:	FOR:	DESCRIPTION: FOUNDATION REINFORCEMENT DETAILS	

R1.001



NOTES :-

- TYPICAL CLEARANCE ARE AS FOLLOWS:
FOLLOW MINIMUM COVER IN ACCORDANCE WITH

SLAB	THICK SLAB	GRADE BEAM
TOP = 1"	TOP = 2"	TOP = 4"
SIDE = 1"	SIDE = 2"	SIDE = 3"
BOT = 1"	BOT = 2"	BOT = 3"

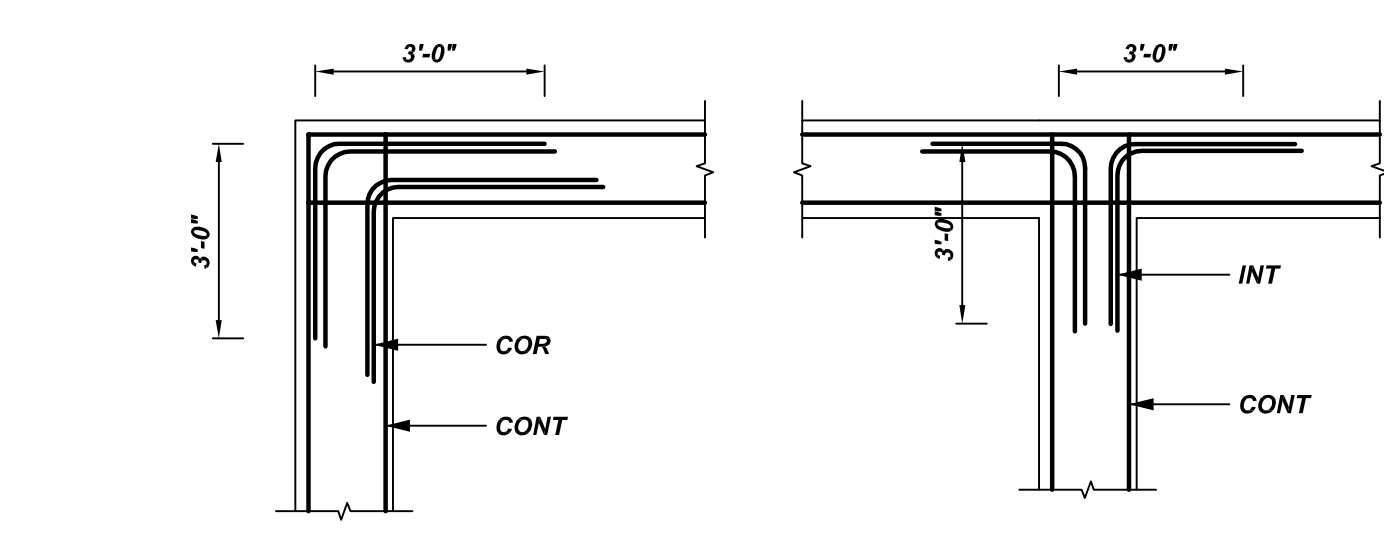
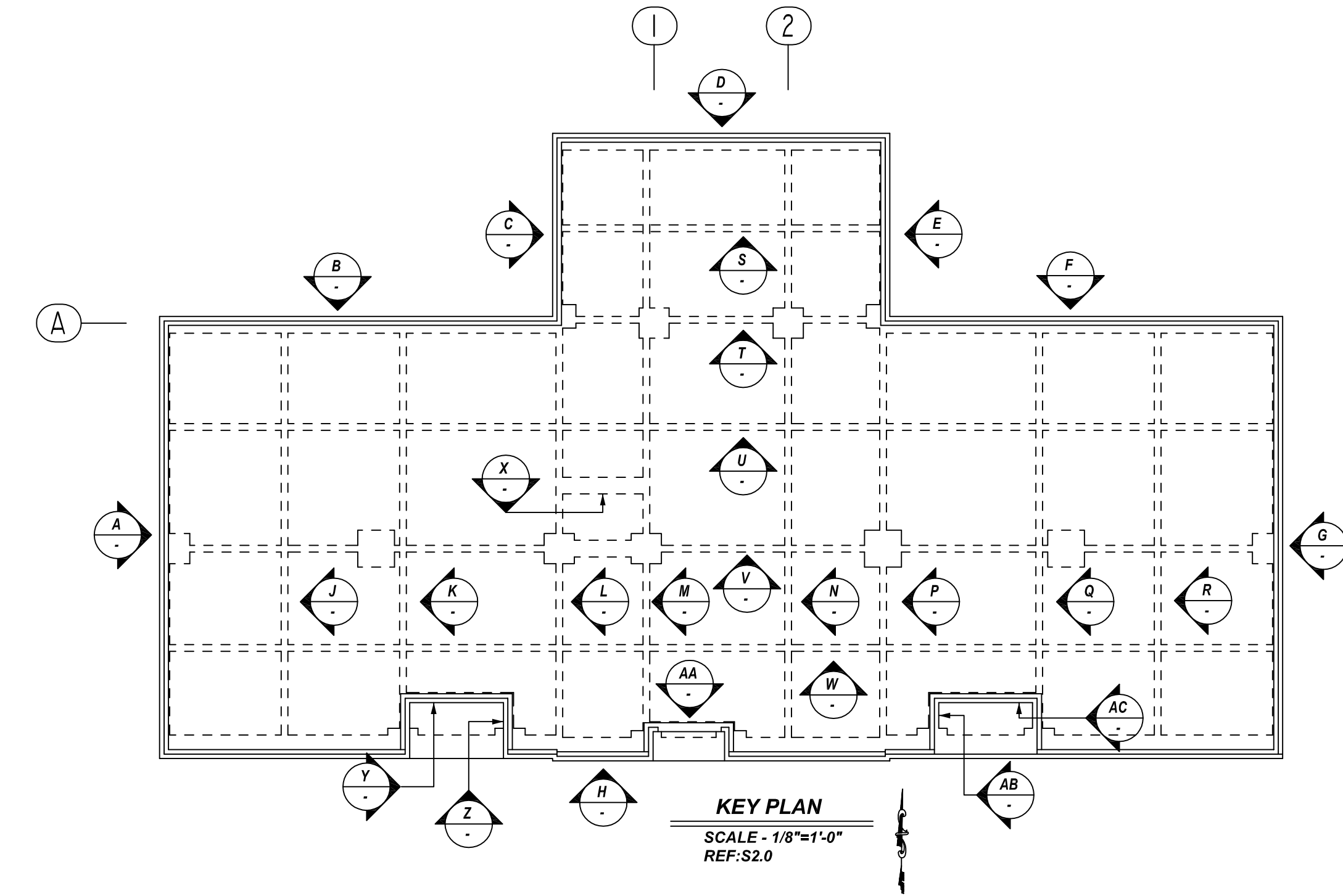
- ALL DIMENSIONS ARE FEET AND INCHES U.N.O
- AVE PLEASE VERIFY THE CLOUDED ITEMS

TOP LAP SCHEDULE

SIZE	57 Ø LAP	SIZE	72 Ø LAP
#3	22"	#7	63"
#4	29"	#8	72"
#5	36"	#9	81"
#6	43"	#10	90"

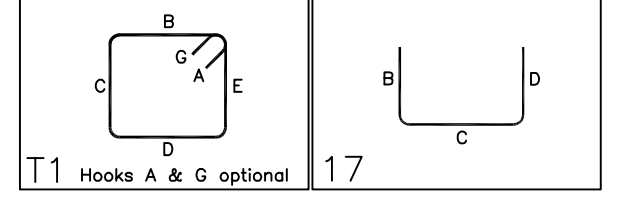
OTHERS LAP SCHEDULE

SIZE	44 Ø LAP	SIZE	55 Ø LAP
#3	17"	#7	49"
#4	22"	#8	55"
#5	28"	#9	62"
#6	33"	#10	69"

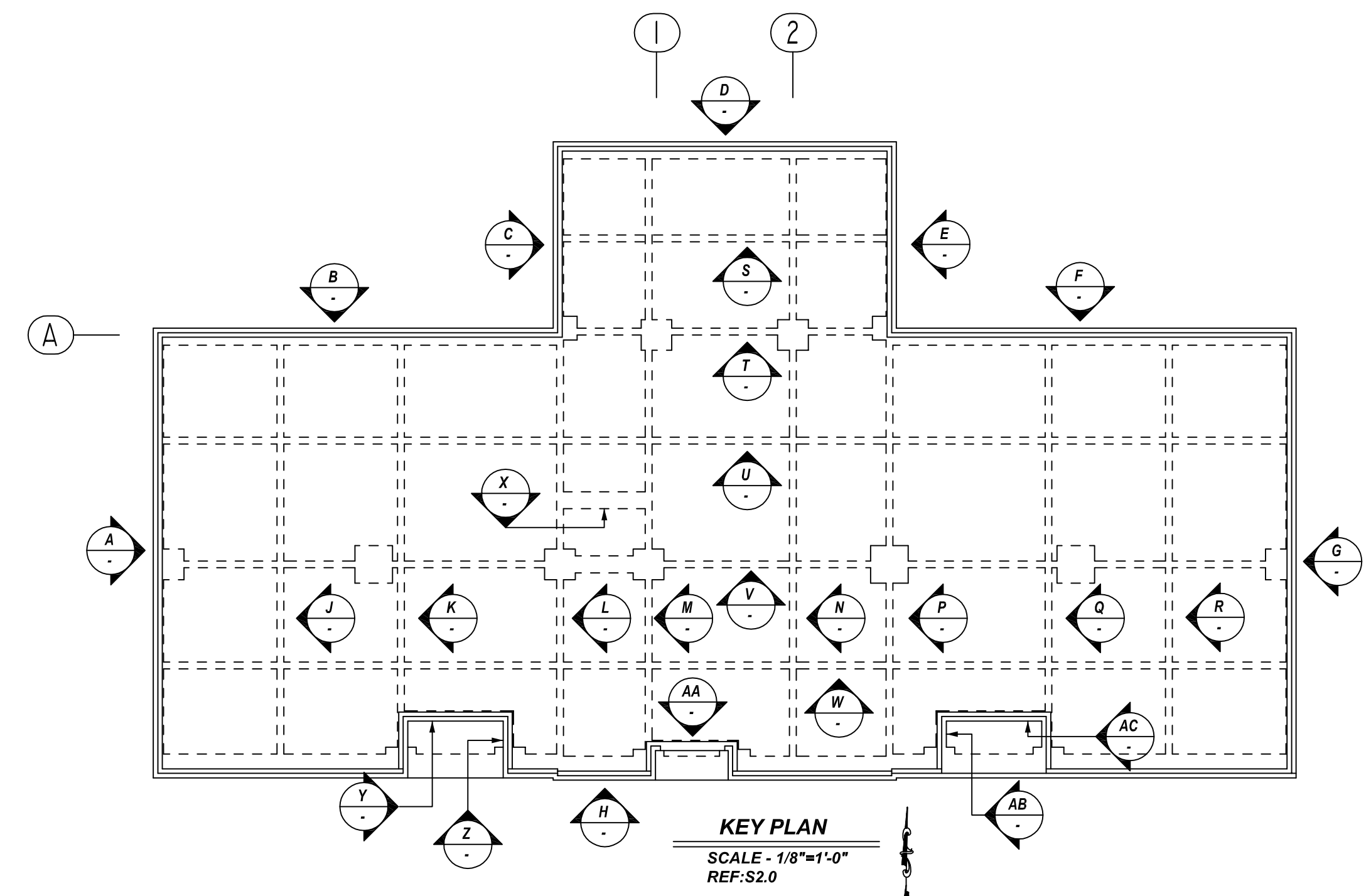
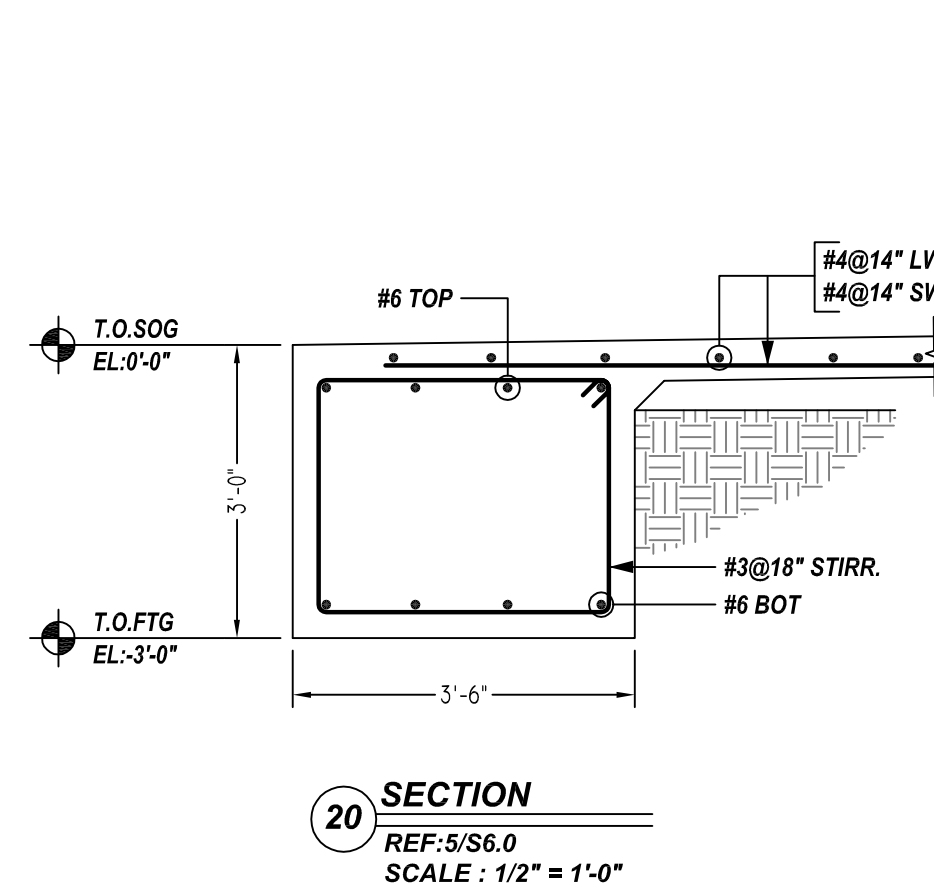
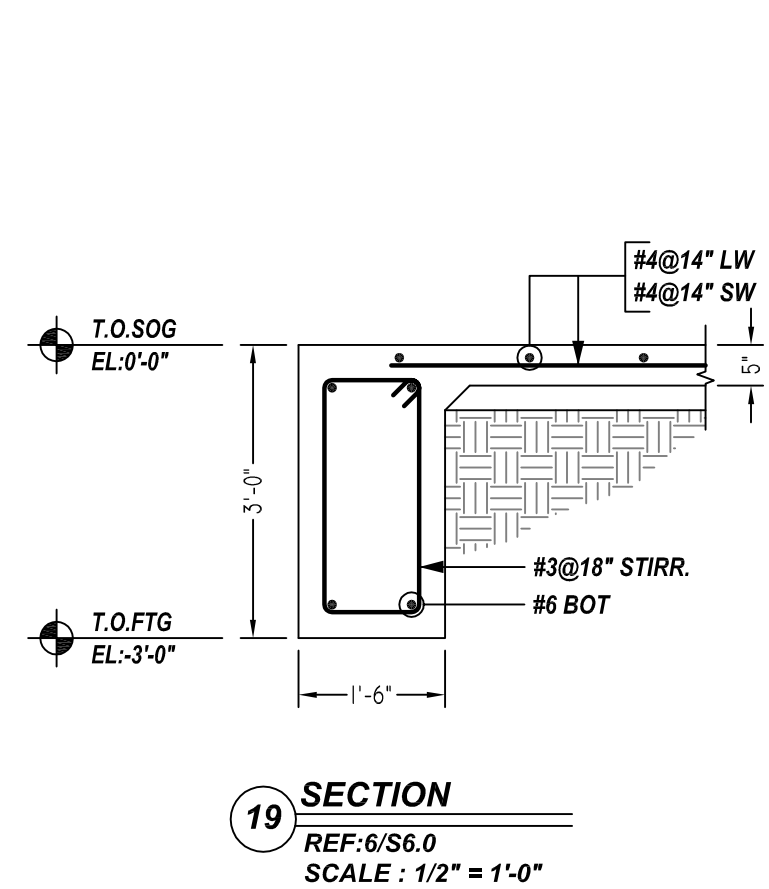
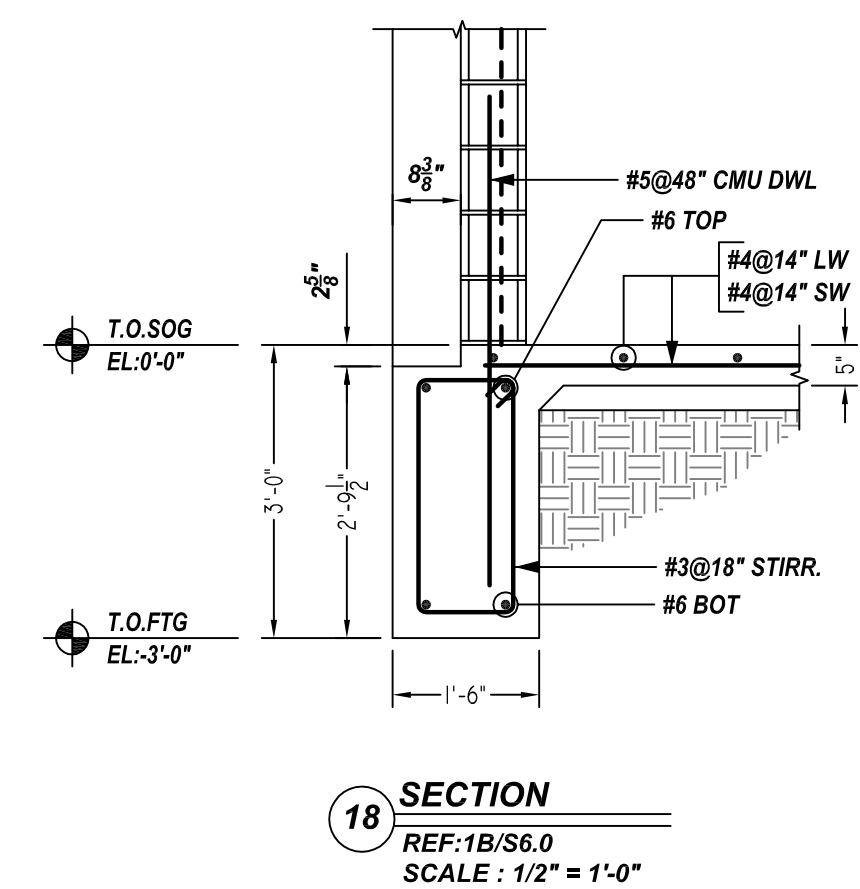
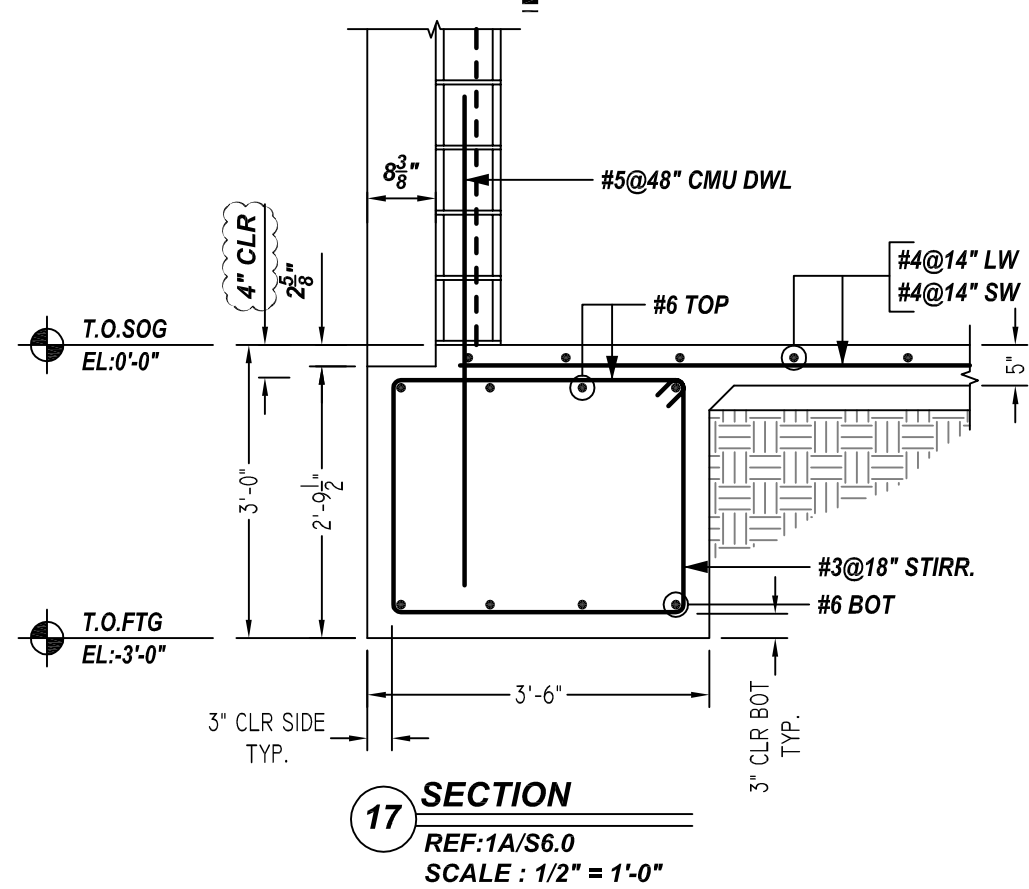
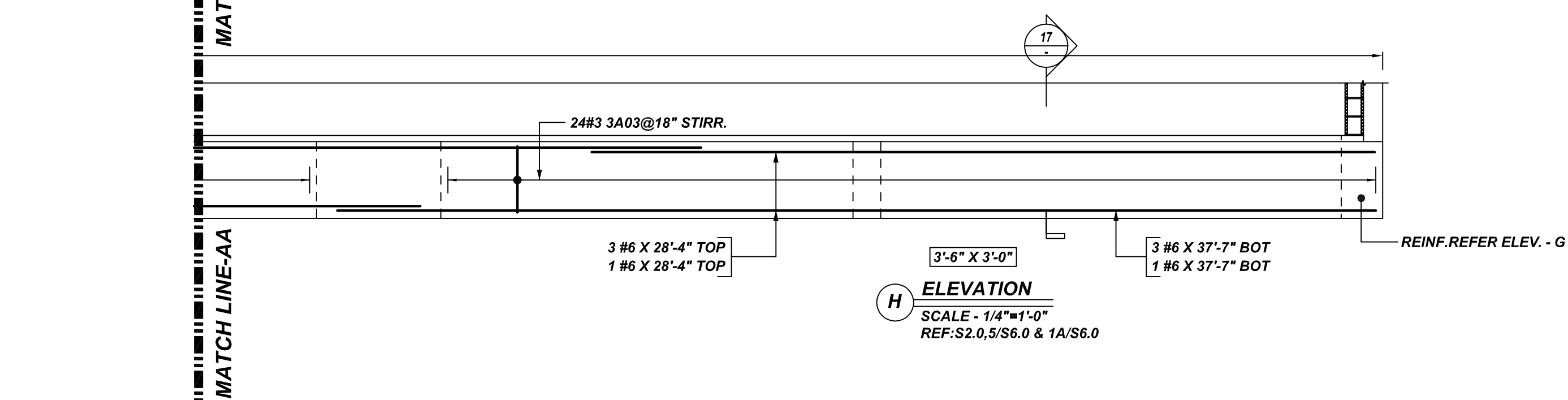
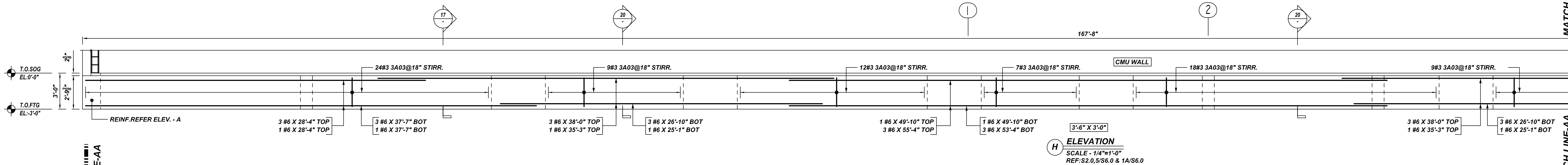
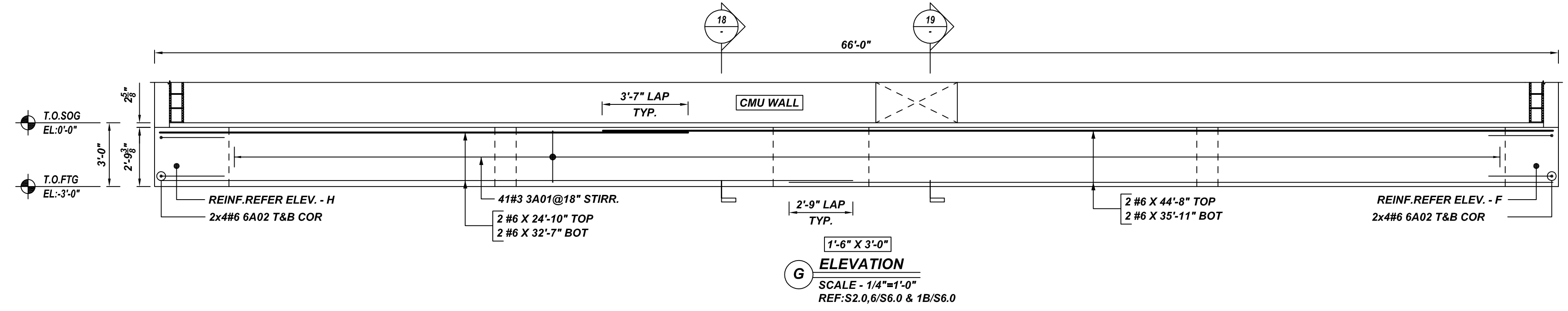
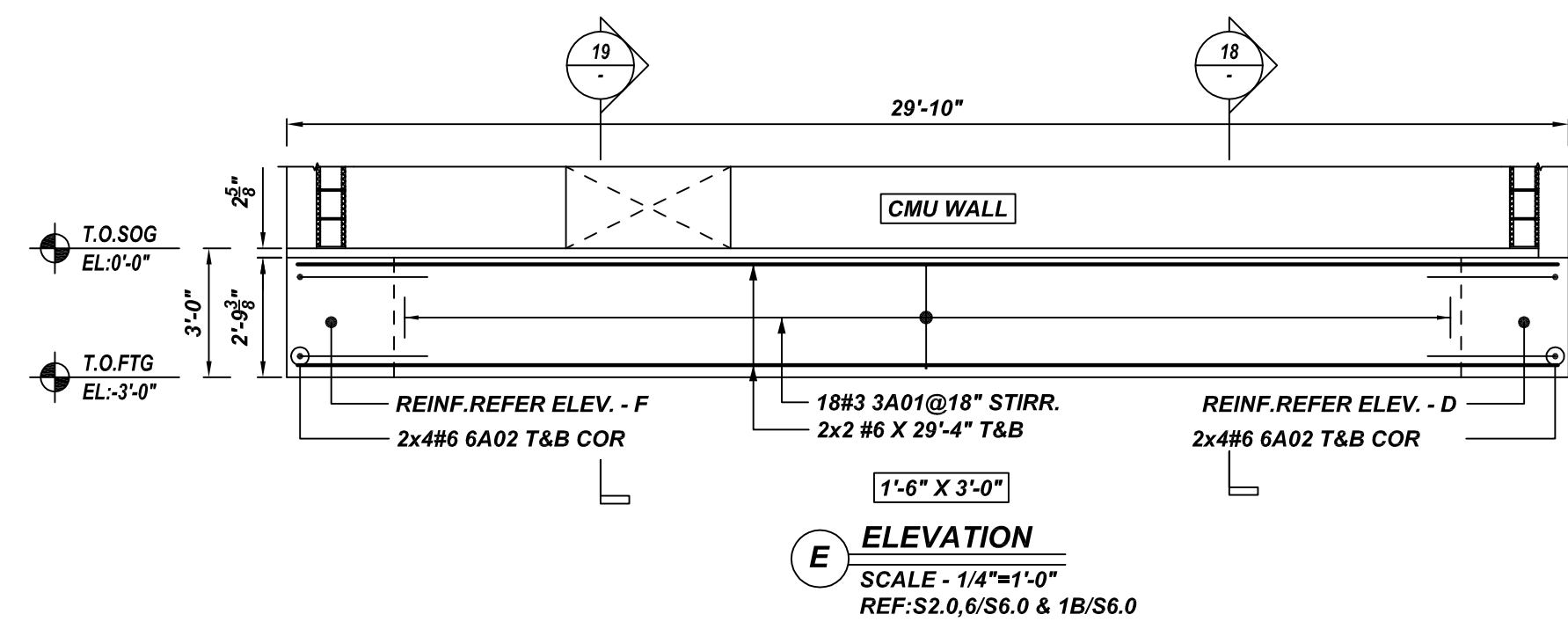


Release Number: R1.005

Bar Mark	Qty	Size	Total Length	Type	X'	Y'	X''	Y''	X'''	Y'''	X''''	Y''''
3A01	57	#5	7'-6"	11	0'-4"	1'-0"	2'-5"	1'-0"	2'-5"	0'-4"		
3A04	117	#5	2'-6"	11	0'-4"	2'-0"	2'-5"	2'-0"	2'-5"	0'-4"		
6A02	33	#6	6'-0"	17	3'-0"	3'-0"						



SUBMITTAL RECORD		PROJECT INFORMATION		DRAWING
DATE: 09-15-21	FOR: FOR APPROVAL	CUSTOMER: ECOW CONSTRUCTION	JOB #: 5270	R1.005
DATE:	FOR:	JOB NAME: PCT & NEW JUSTICE CENTER	DETAILER: BCS	
DATE:	FOR:	EMAIL: dpcen@boyacypc.com		
DATE:	FOR:	LOCATION: HIDALGO COUNTY, TX	PHONE: 281-559-5864	
DATE:	FOR:	DESCRIPTION: GRADE BEAM REINFORCEMENT DETAILS		



NOTES :-

- TYPICAL CLEARANCE ARE AS FOLLOWS:
FOLLOW MINIMUM COVER IN ACCORDANCE WITH

SLAB	THICK SLAB	GRADE BEAM
TOP = 1"	TOP = 2"	TOP = 4"
SIDE = 1"	SIDE = 2"	SIDE = 3"
BOT = 1"	BOT = 2"	BOT = 3"

- ALL DIMENSIONS ARE FEET AND INCHES U.N.O
- PLEASE VERIFY THE CLOUDED ITEMS

TOP LAP SCHEDULE

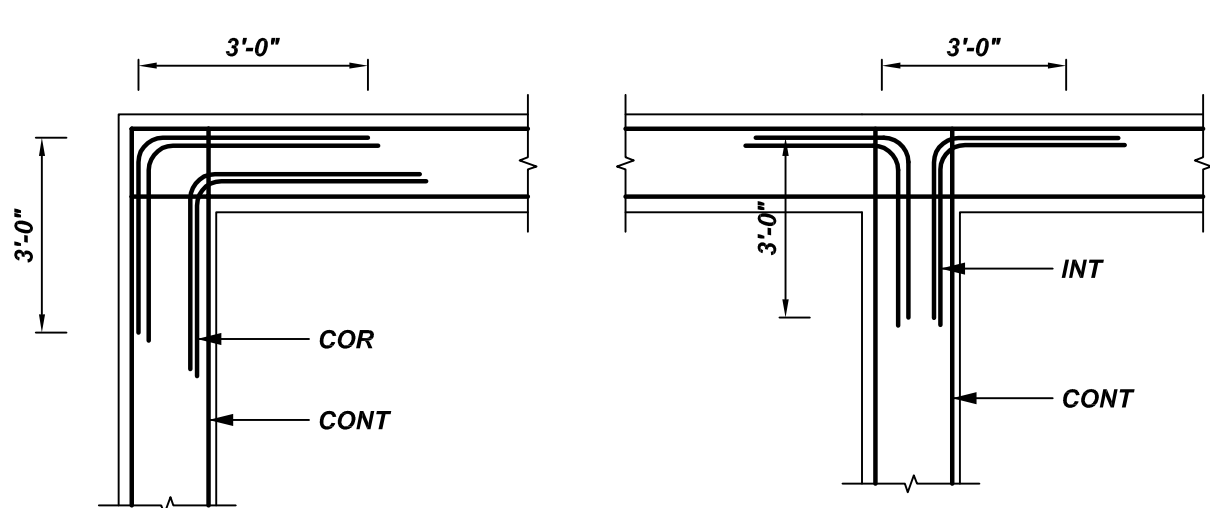
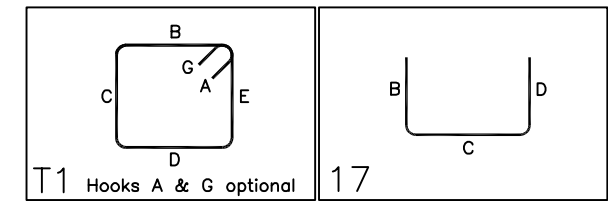
SIZE	57 Ø LAP	SIZE	72 Ø LAP
#3	22"	#7	63"
#4	29"	#8	72"
#5	36"	#9	81"
#6	43"	#10	90"

OTHERS LAP SCHEDULE

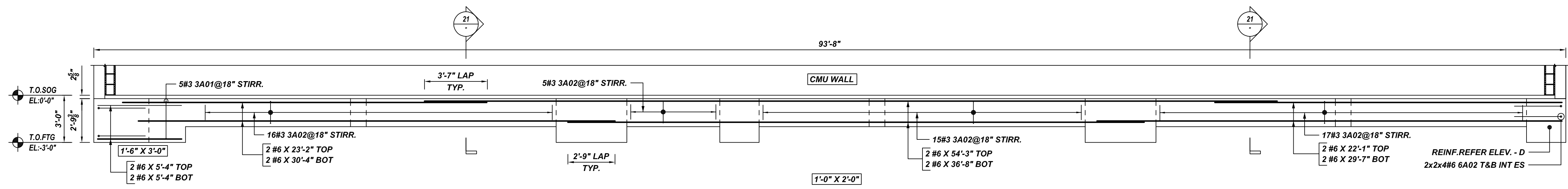
SIZE	44 Ø LAP	SIZE	55 Ø LAP
#3	17"	#7	49"
#4	22"	#8	55"
#5	28"	#9	62"
#6	33"	#10	69"

Release Number: R1006

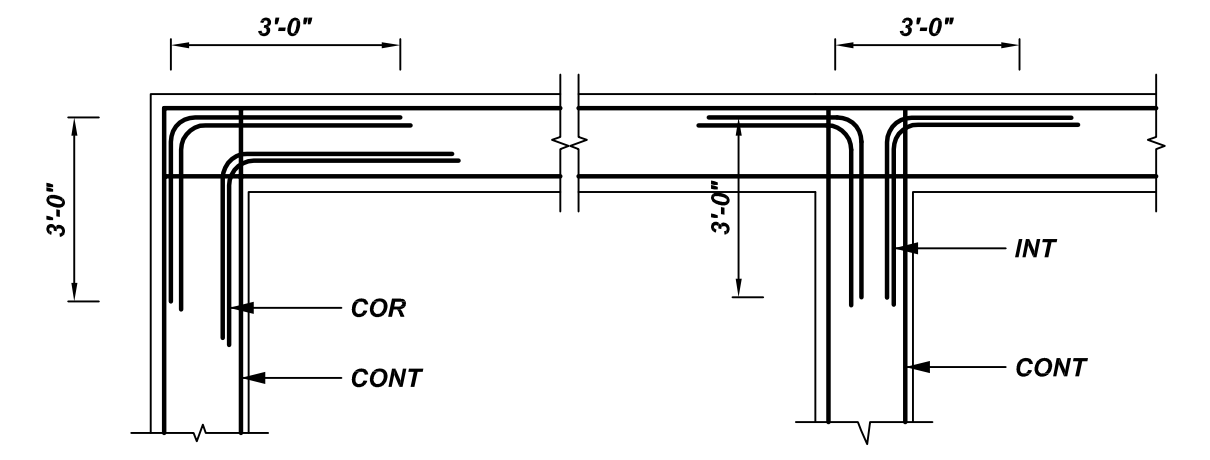
Bar Mark	Qty	Size	Total Length	Type	X	Y	Z	W	V	U	T	S	R	Q	P	O	N	M	L	K	J	I	H	G	F	E	D	C	B	A
3A01	59	#3	7'-4"	T1	0'-4"	1'-0"	2'-5"	1'-0"	2'-5"	0'-4"																				
3A03	163	#3	11'-4"	T1	0'-4"	3'-0"	2'-5"	3'-0"	2'-5"	0'-4"																				
6A02	32	#6	6'-0"	T1	3'-0"	3'-0"																								



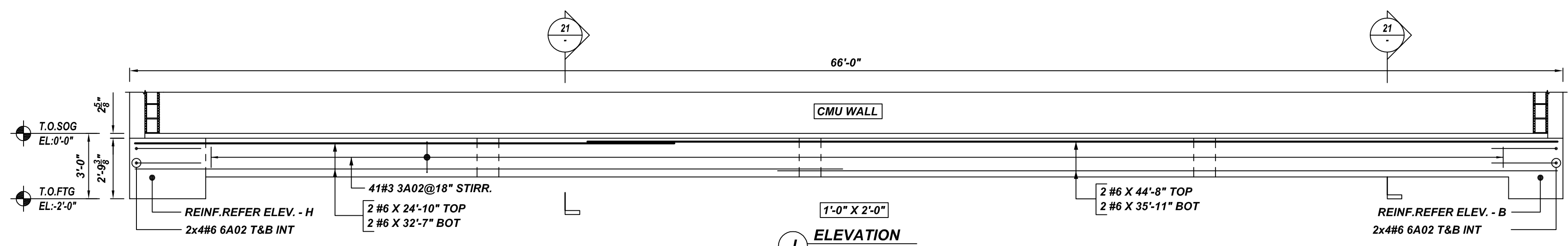
SUBMITTAL RECORD		PROJECT INFORMATION		DRAWING
DATE: 09-15-21	FOR: FOR APPROVAL	CUSTOMER: ECON CONSTRUCTION	JOB #: 5270	R1.006
DATE:	FOR:	JOB NAME: PCT & NEW JUSTICE CENTER	DETAILER: BCS	
DATE:	FOR:	EMAIL: dpc@economyctd.com		
DATE:	FOR:	LOCATION: HIDALGO COUNTY, TX	PHONE: 281-559-5864	
DATE:	FOR:	DESCRIPTION: GRADE BEAM REINFORCEMENT DETAILS		



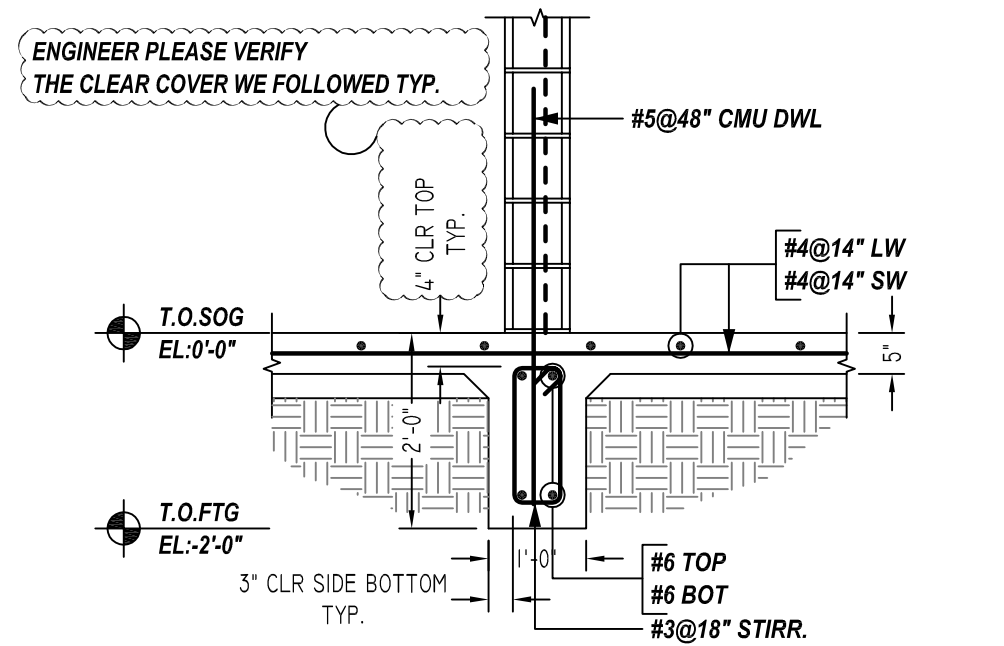
M
ELEVATION
SCALE - 1/4"=1'-0"
REF: S2.0 & 1/S6.0



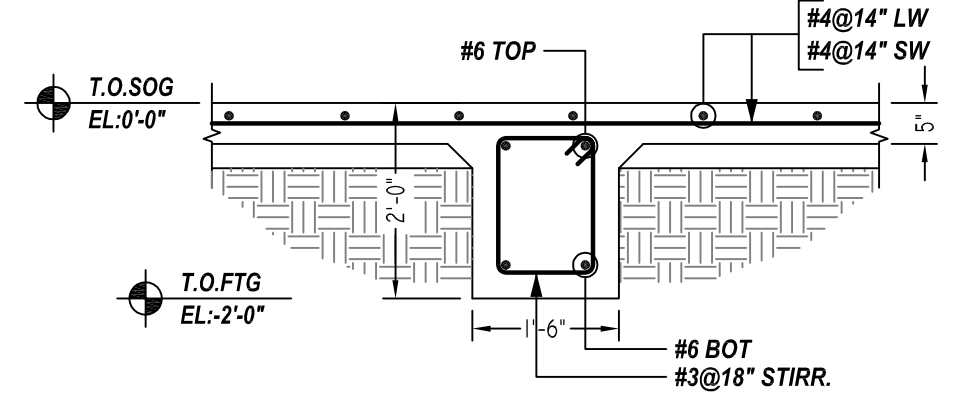
TYPICAL COR INT DETAILS
REF: 2/S5.0
SCALE: 1/2" = 1'-0"



J
ELEVATION
SCALE - 1/4"=1'-0"
REF: S2.0 & 4/S6.0



21 SECTION
REF: 4/S6.0
SCALE: 1/2" = 1'-0"



22 SECTION
REF: 3/S6.0
SCALE: 1/2" = 1'-0"

NOTES :-

- TYPICAL CLEARANCE ARE AS FOLLOWS:
FOLLOW MINIMUM COVER IN ACCORDANCE WITH

SLAB	THICK SLAB	GRADE BEAM
TOP = 1"	TOP = 2"	TOP = 4"
SIDE = 1"	SIDE = 2"	SIDE = 3"
BOT = 1"	BOT = 2"	BOT = 3"

- ALL DIMENSIONS ARE FEET AND INCHES U.N.O
- PLEASE VERIFY THE CLOUDED ITEMS

TOP LAP SCHEDULE

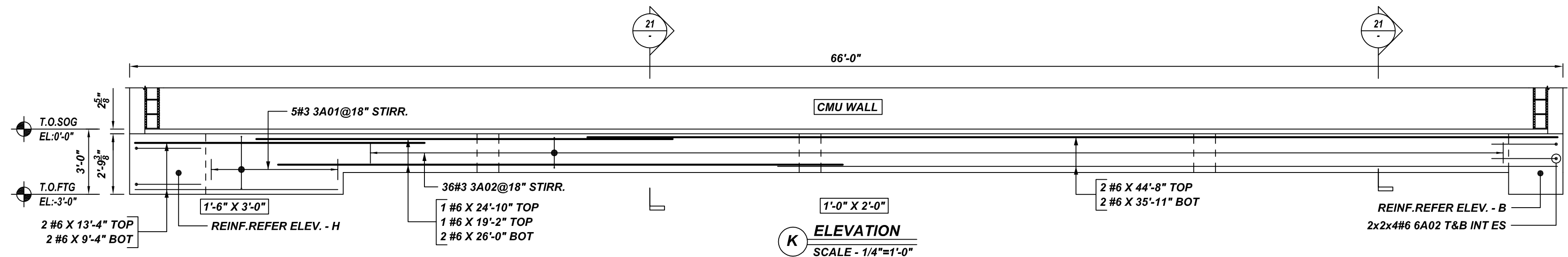
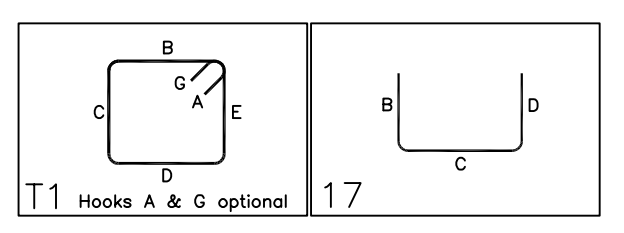
SIZE	57 Ø LAP	SIZE	72 Ø LAP
#3	22"	#7	63"
#4	29"	#8	72"
#5	36"	#9	81"
#6	43"	#10	90"

OTHERS LAP SCHEDULE

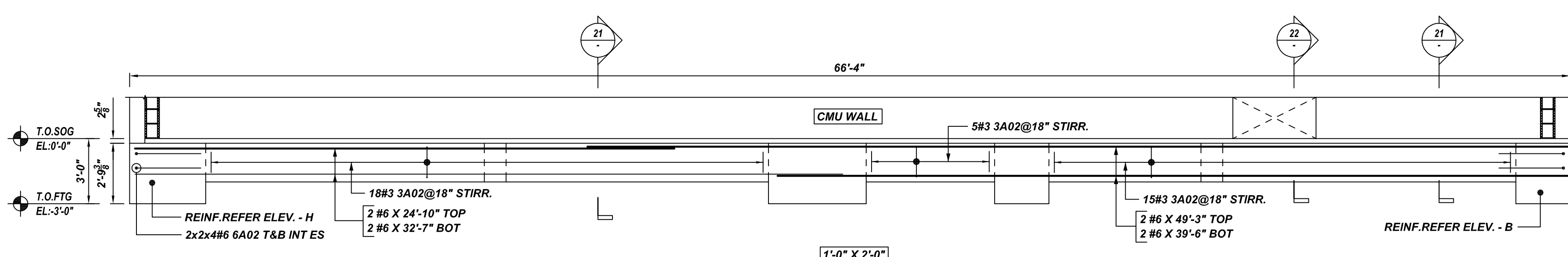
SIZE	44 Ø LAP	SIZE	55 Ø LAP
#3	17"	#7	49"
#4	22"	#8	55"
#5	28"	#9	62"
#6	33"	#10	69"

Revised Number: R1.007

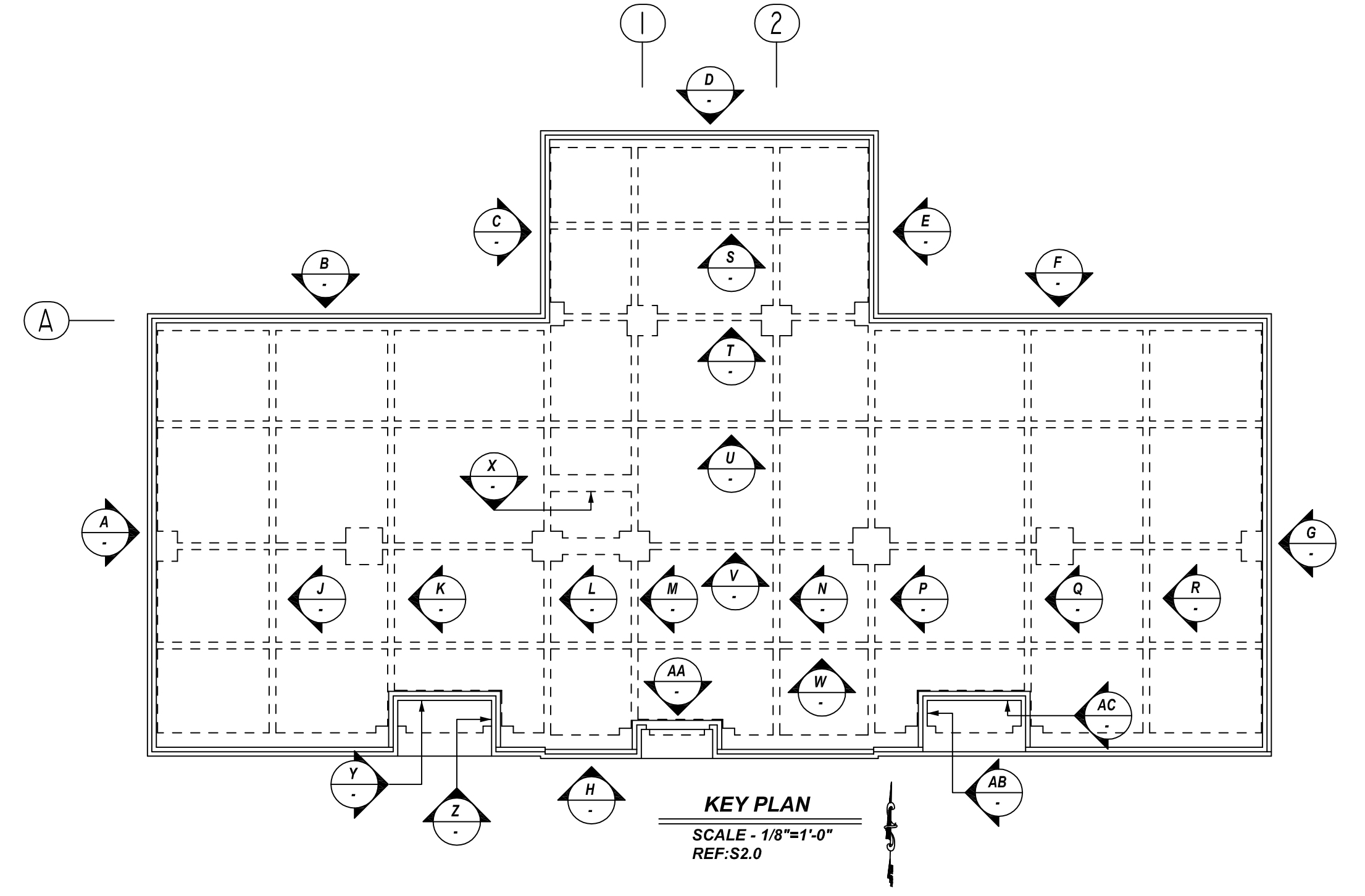
Bar Mark	Qty	Size	Total Length	Type	X'	Y'	Z'	W'	V'	U'	T'	S'	R'	Q'	P'	O'	N'	M'	L'	K'	J'	I'	H'	G'	F'	E'	D'	C'	B'	A'
3A01	10	#3	7'-6"	T1	0'-4"	1'-0"	2'-5"	1'-0"	2'-5"	0'-4"																				
3A02	226	#3	4'-6"	T1	0'-4"	0'-6"	1'-5"	0'-6"	1'-5"	0'-4"																				
6A02	80	#6	6'-0"	T1	3'-0"	3'-0"																								



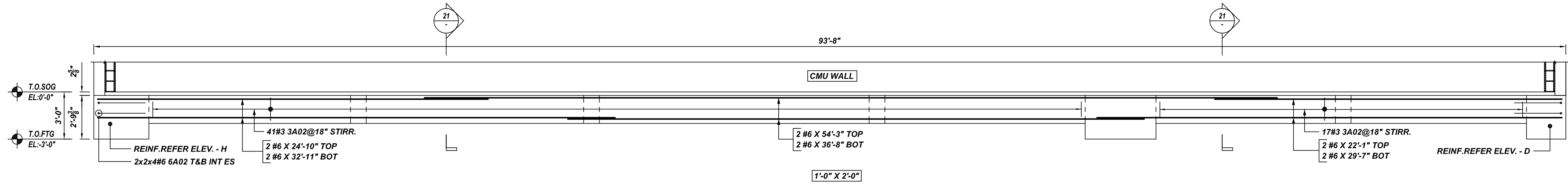
K
ELEVATION
SCALE - 1/4"=1'-0"
REF: S2.0, 2/S6.0 & 4/S6.0



L
ELEVATION
SCALE - 1/4"=1'-0"
REF: S2.0 & 1/S6.0

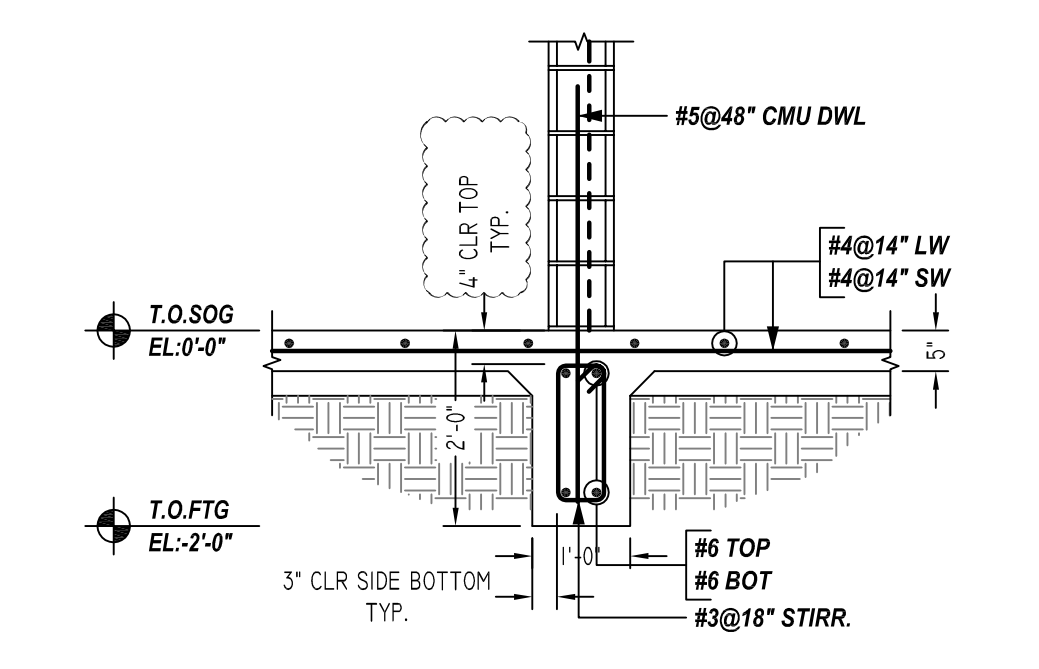
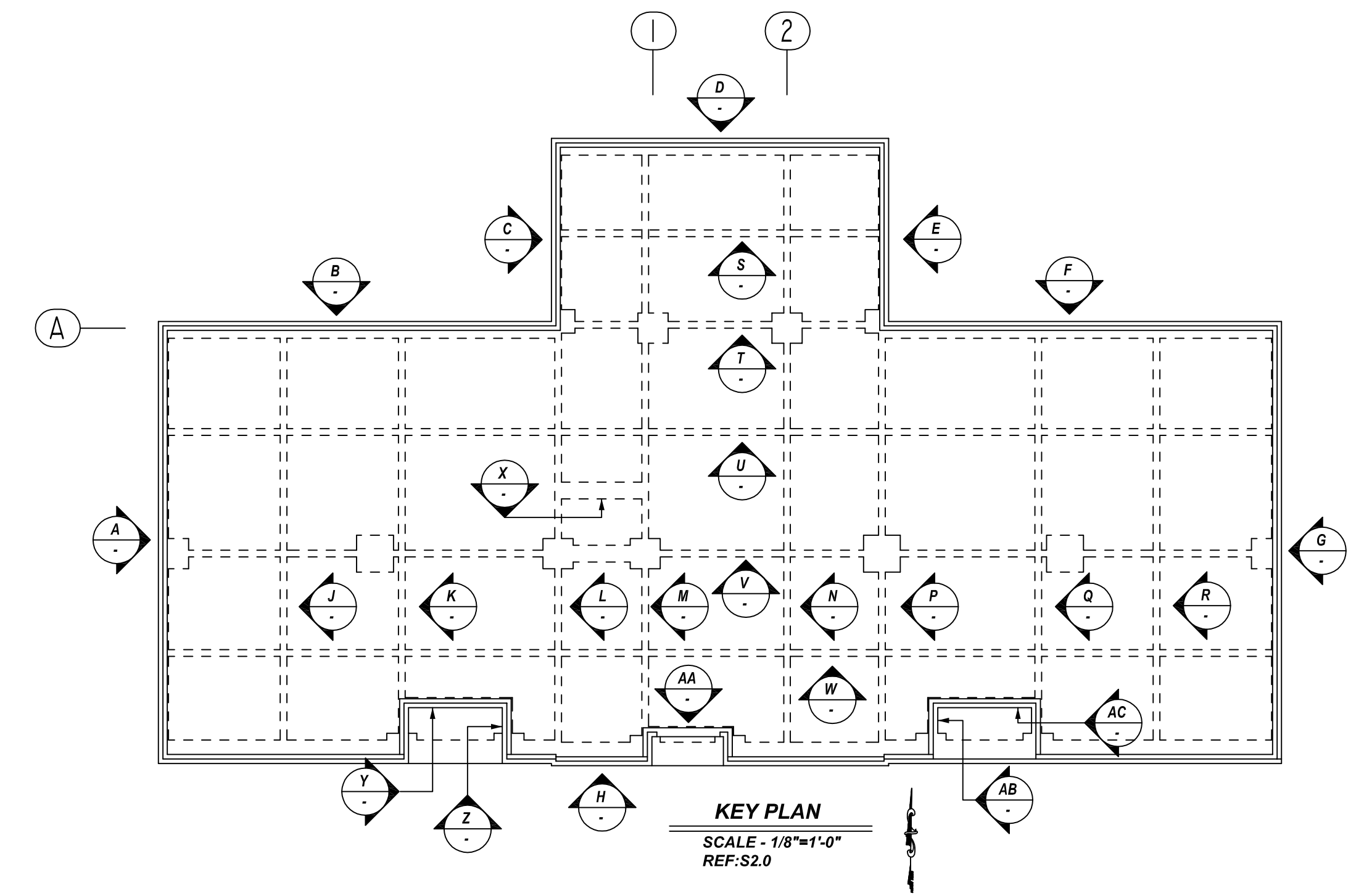
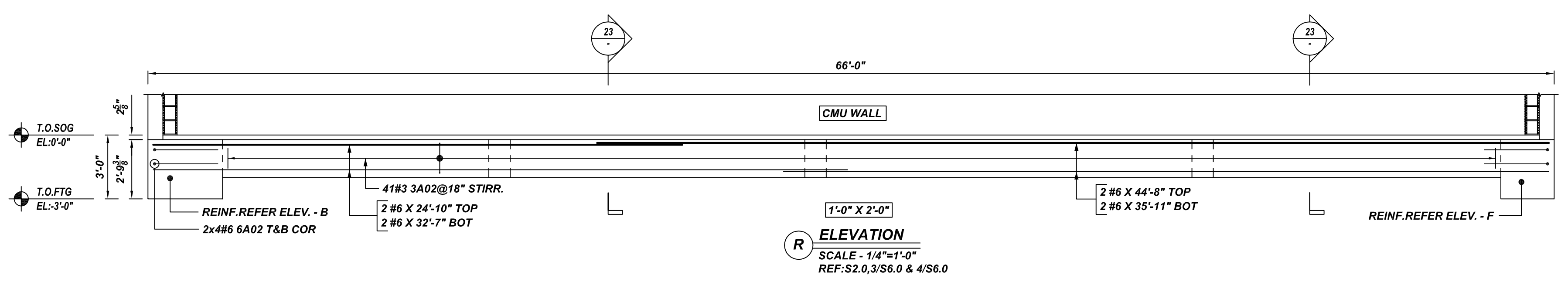
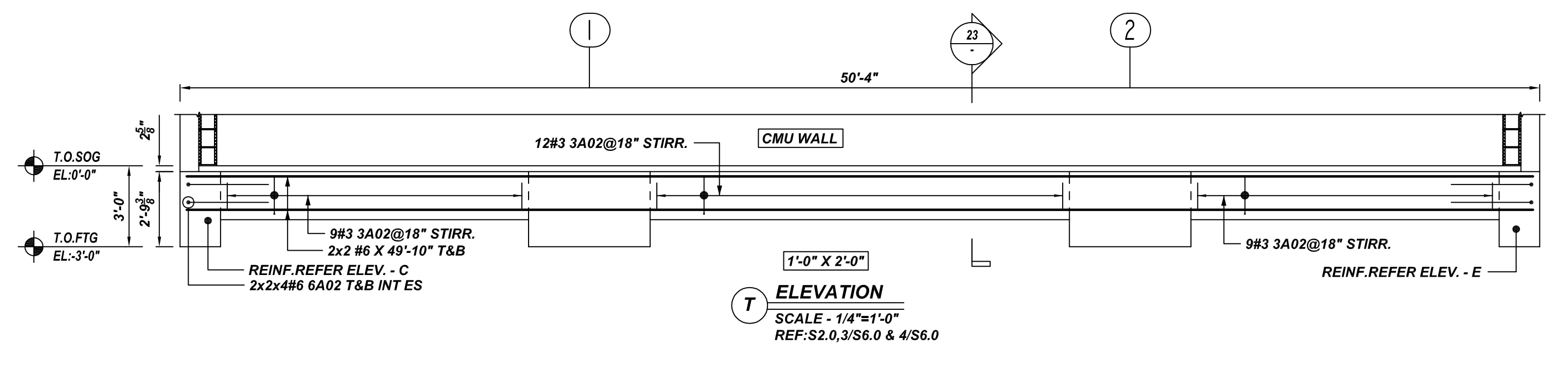
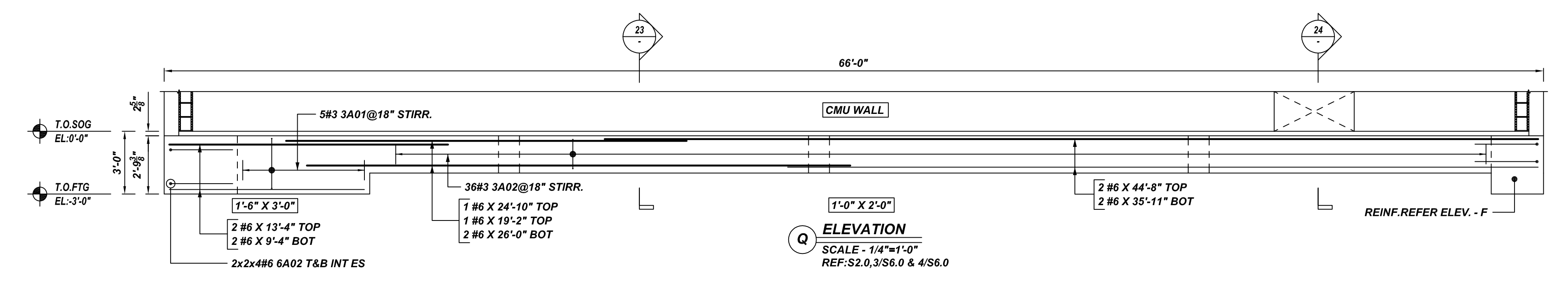
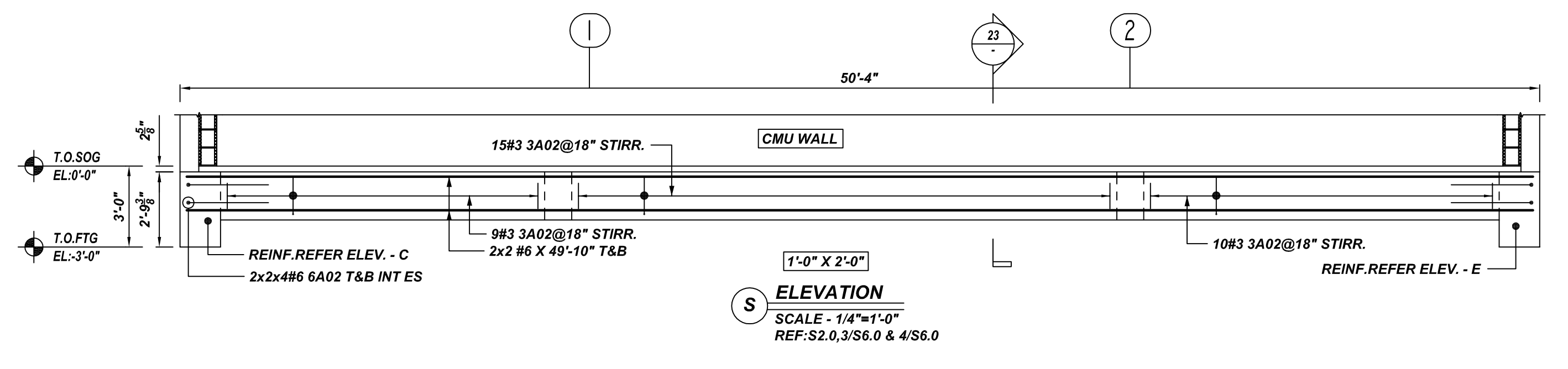
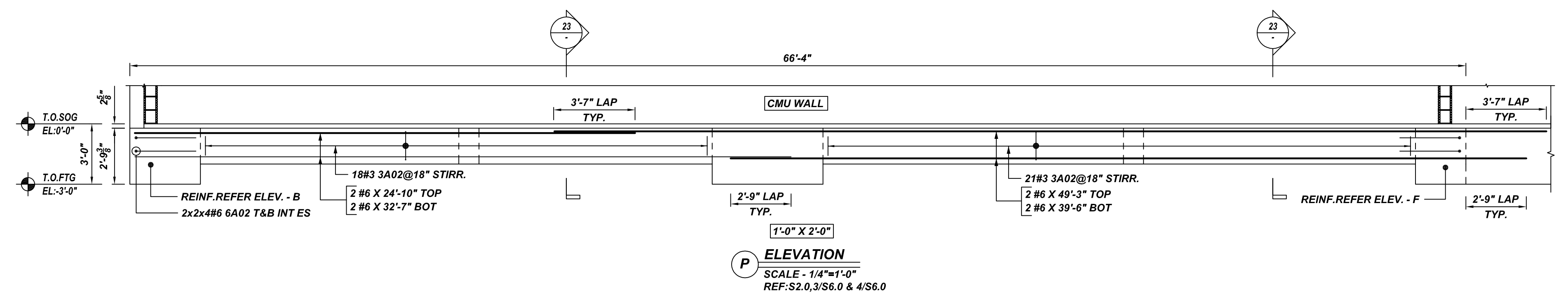


KEY PLAN
SCALE - 1/8"=1'-0"
REF: S2.0



N
ELEVATION
SCALE - 1/4"=1'-0"
REF: S2.0, 3/S6.0 & 4/S6.0

SUBMITTAL RECORD		PROJECT INFORMATION		DRAWING
DATE: 09-15-21	FOR: FOR APPROVAL	CUSTOMER: ECOW CONSTRUCTION	JOB #: 5270	R1.007
DATE:	FOR:	JOB NAME: PCT & NEW JUSTICE CENTER	DETAILER: BCS	
DATE:	FOR:	EMAIL: dpc@ecowconstruction.com		
DATE:	FOR:	LOCATION: HIDALGO COUNTY, TX	PHONE: 281-559-5864	
DATE:	FOR:	DESCRIPTION: GRADE BEAM REINFORCEMENT DETAILS		

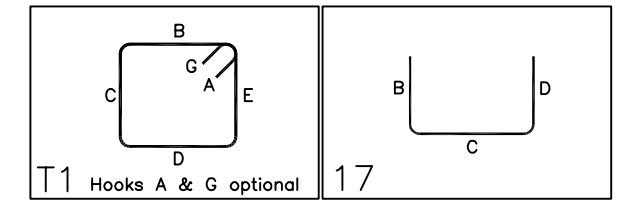


NOTES :-

- TYPICAL CLEARANCE ARE AS FOLLOWS:
FOLLOW MINIMUM COVER IN ACCORDANCE WITH
SLAB THICK SLAB GRADE BEAM
TOP = 1" TOP = 2" TOP = 4"
SIDE = 1" SIDE = 2" SIDE = 3"
BOT = 1" BOT = 2" BOT = 3"
- ALL DIMENSIONS ARE FEET AND INCHES U.N.O
- AVE PLEASE VERIFY THE CLOUDED ITEMS

Release Number: R1.008

Bar Mark	Qty	Size	Min Length	Type	X'	Y'	X''	Y''	X'''	Y'''	X''''	Y''''
3A01	5	#3	7'-5"	T1	0'-4"	1'-0"	2'-5"	1'-0"	2'-5"	0'-4"		
3A02	180	#3	4'-5"	T1	0'-4"	0'-5"	1'-5"	0'-5"	1'-5"	0'-4"		
6A02	72	#6	6'-0"	T1	3'-0"	3'-0"						



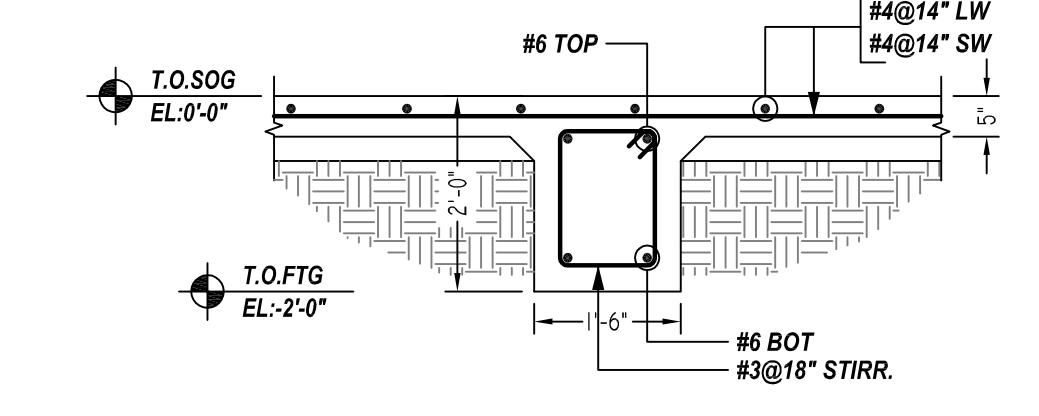
TOP

SIZE	57 Ø LAP	SIZE	72 Ø LAP
#3	22"	#7	63"
#4	29"	#8	72"
#5	36"	#9	81"
#6	43"	#10	90"

OTHERS

SIZE	44 Ø LAP	SIZE	55 Ø LAP
#3	17"	#7	49"
#4	22"	#8	55"
#5	28"	#9	62"
#6	33"	#10	69"

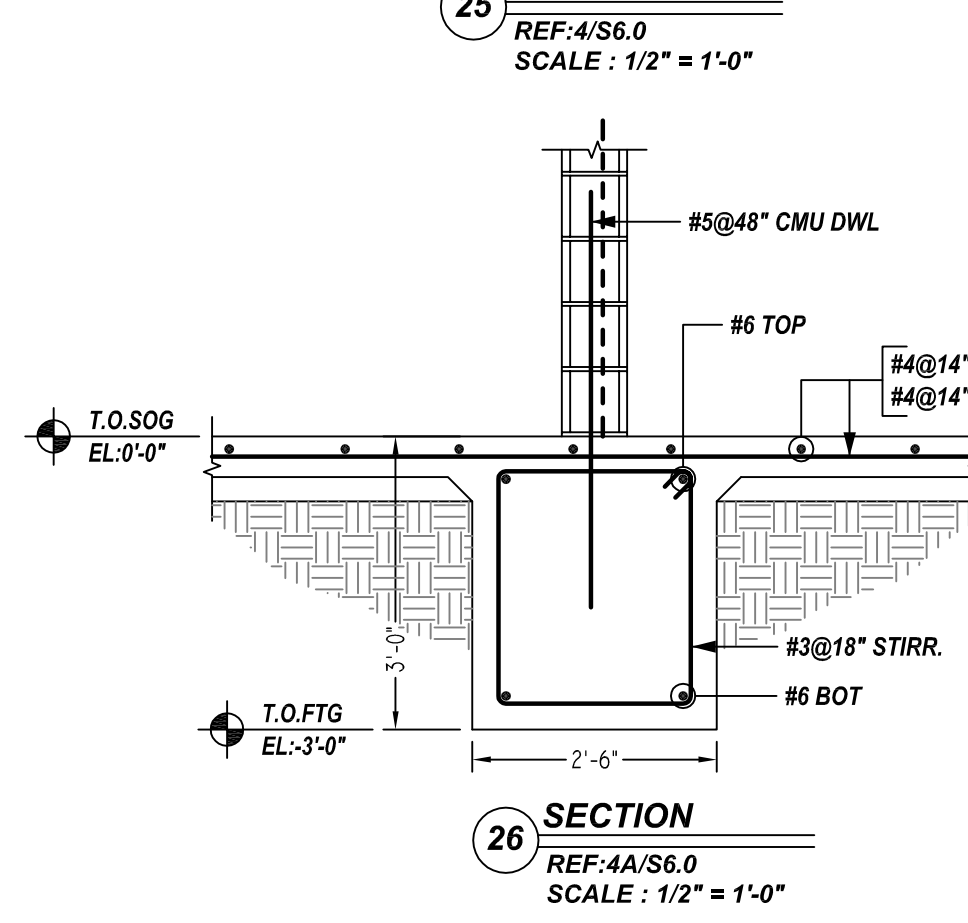
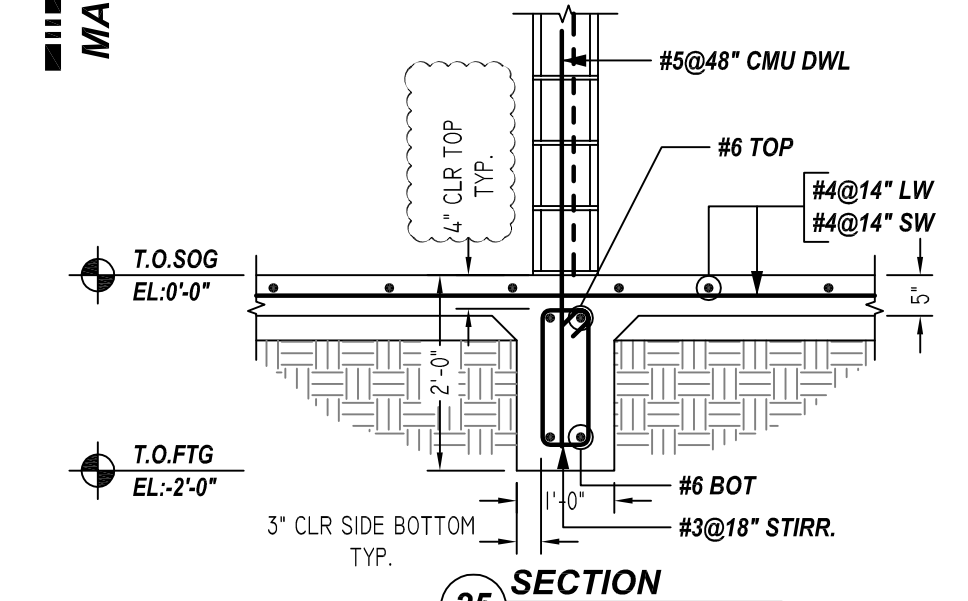
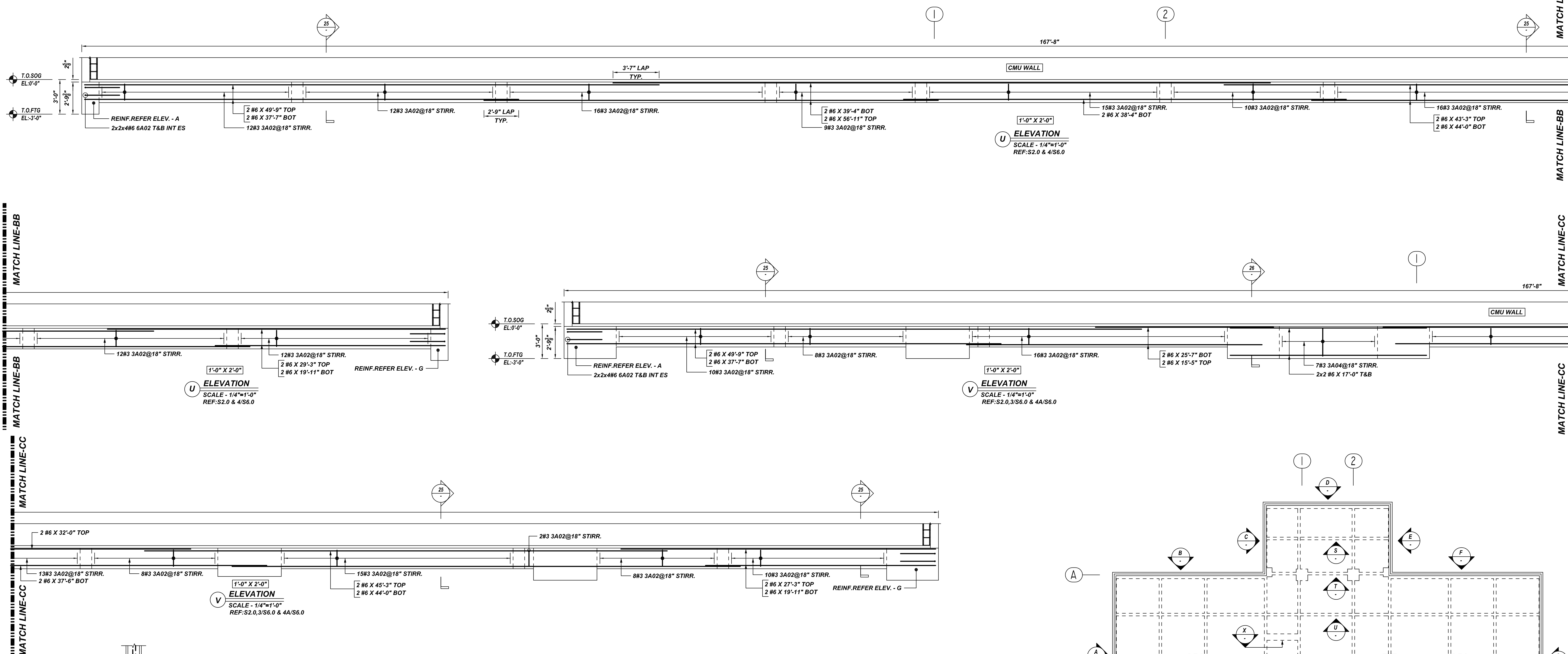
23 SECTION
REF: 4/S6.0
SCALE: 1/2" = 1'-0"



24 SECTION
REF: 3/S6.0
SCALE: 1/2" = 1'-0"

TYPICAL COR INT DETAILS
REF: 2/S5.0
SCALE: 1/2" = 1'-0"

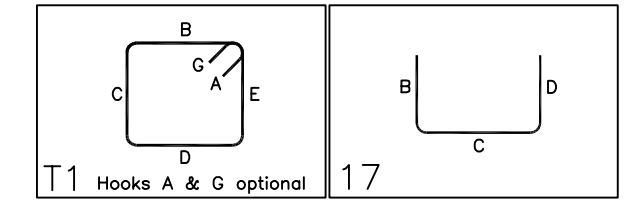
SUBMITTAL RECORD		PROJECT INFORMATION		DRAWING
DATE: 09-15-21	FOR: FOR APPROVAL	CUSTOMER: ECON CONSTRUCTION	JOB #: 5270	R1.008
DATE:	FOR:	JOB NAME: PCT & NEW JUSTICE CENTER	DETAILER: BCS	
DATE:	FOR:	EMAIL: dpc@econconstruction.com		
DATE:	FOR:	LOCATION: HIDALGO COUNTY, TX	PHONE: 281-559-5864	
DATE:	FOR:	DESCRIPTION: GRADE BEAM REINFORCEMENT DETAILS		



NOTES :-

- TYPICAL CLEARANCE ARE AS FOLLOWS:
FOLLOW MINIMUM COVER IN ACCORDANCE WITH SLAB
- ALL DIMENSIONS ARE FEET AND INCHES UNL.O
- AVE PLEASE VERIFY THE CLOUDED ITEMS

Bar Mark	Qty	Size	Total Length	Type	X	Y	Z	W	V	U	T	S	R	Q	P	O	N	M	L	K	J	I	H	G	F	E	D	C	B	A
3A02	204	#3	4'-6"	T1	0'-4"	0'-6"	1'-5"	0'-6"	1'-5"	0'-6"	0'-4"																			
3A04	7	#3	9'-6"	T1	0'-4"	2'-0"	2'-5"	2'-0"	2'-5"	0'-4"																				
6A02	33	#6	6'-0"	T1	3'-0"	3'-0"																								



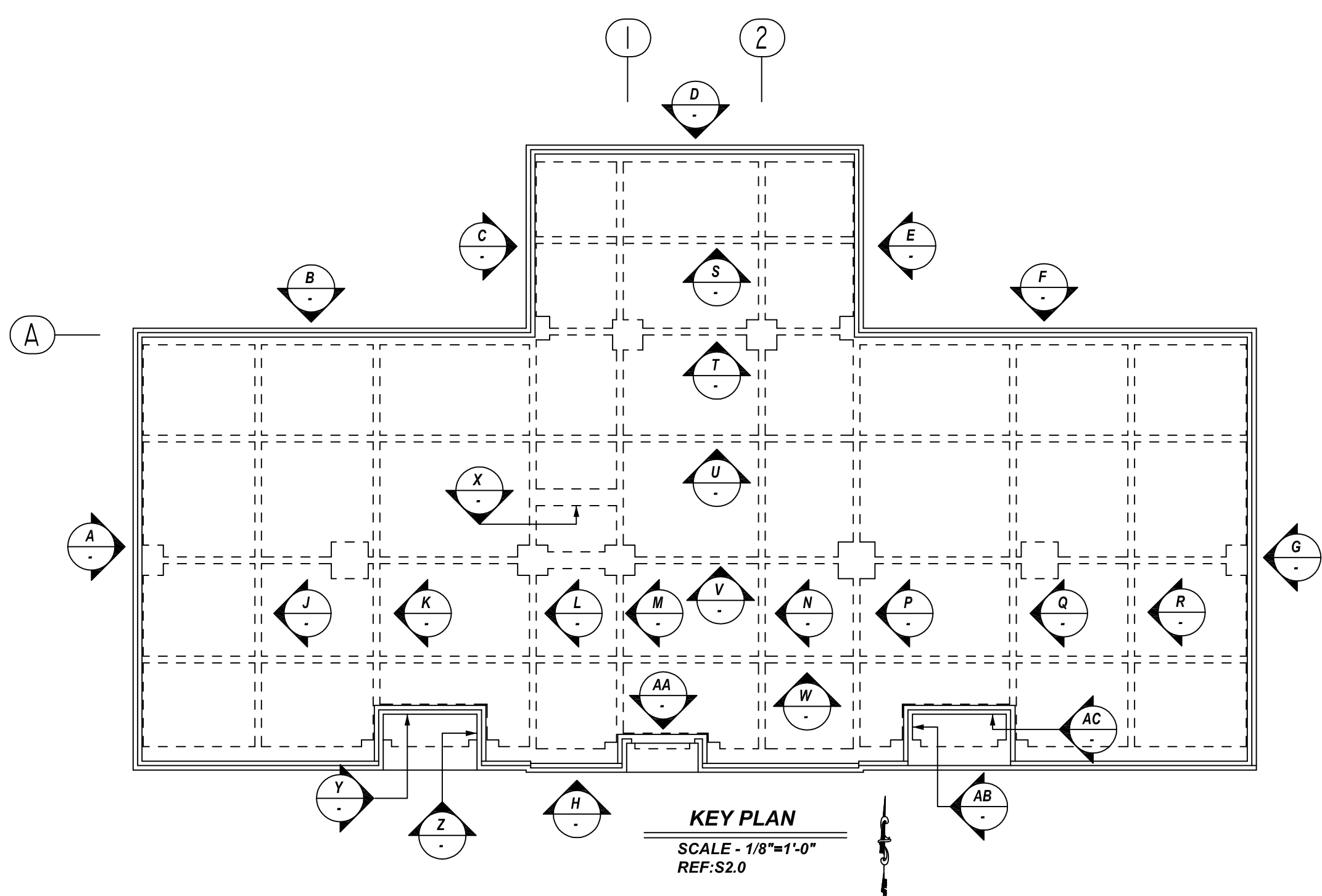
TYPICAL COR INT DETAILS
REF:2/S5.0
SCALE: 1/2" = 1'-0"

LAP SCHEDULE

SIZE	57 Ø LAP	SIZE	72 Ø LAP
#3	22"	#7	63"
#4	29"	#8	72"
#5	36"	#9	81"
#6	43"	#10	90"

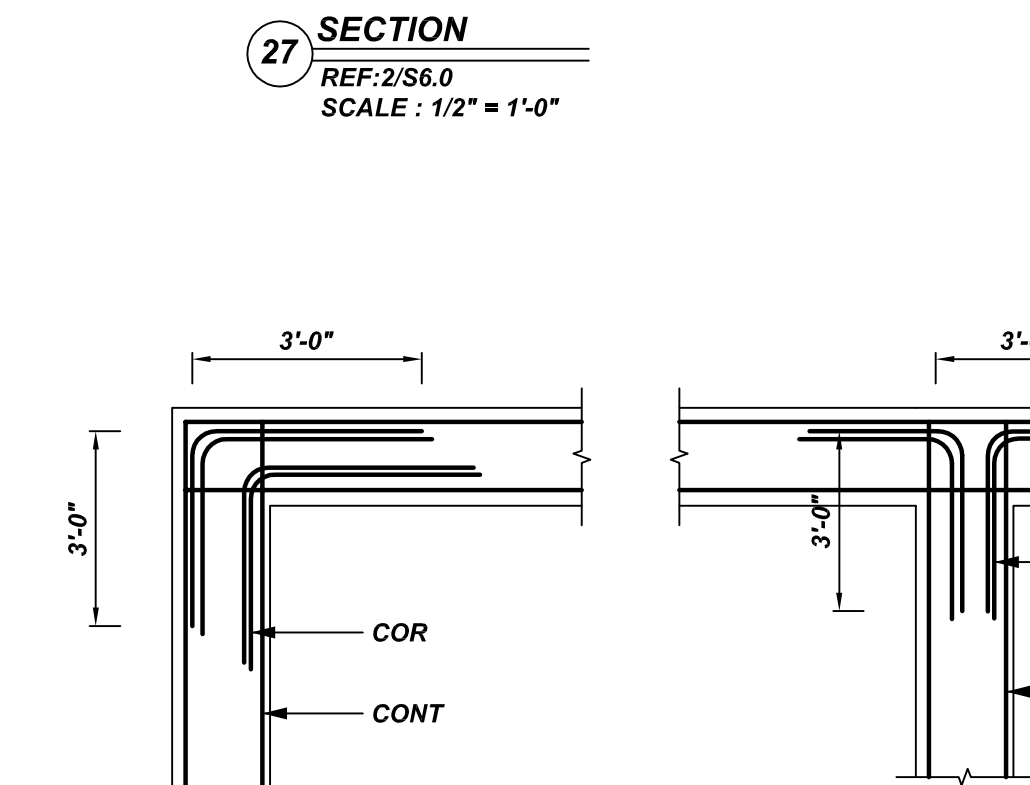
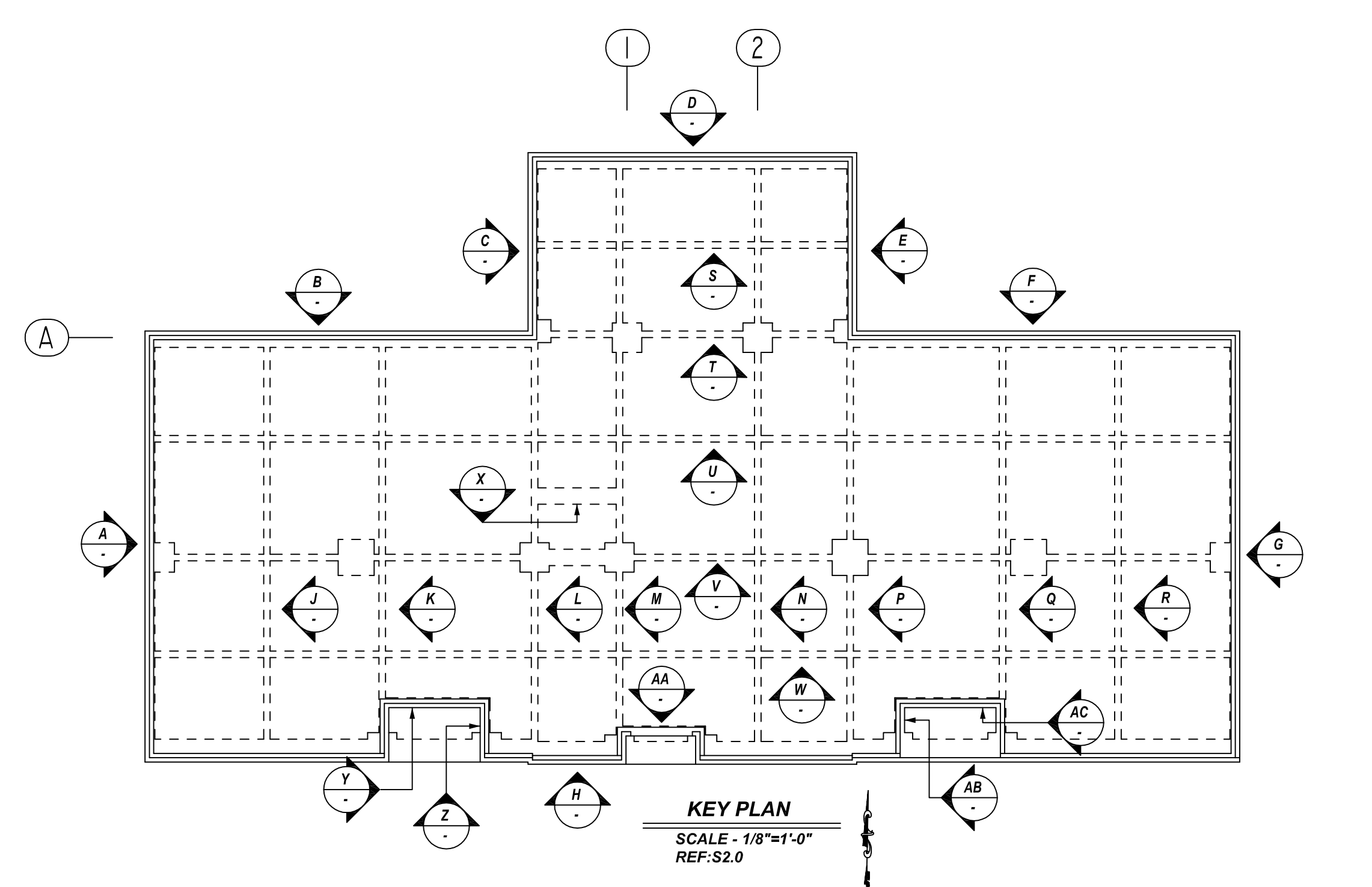
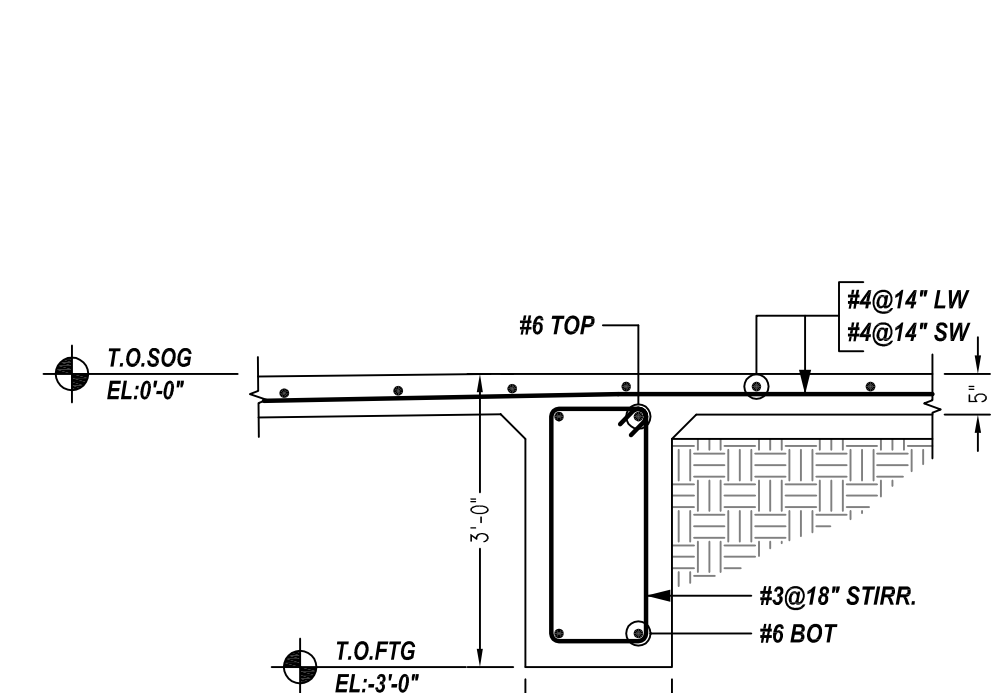
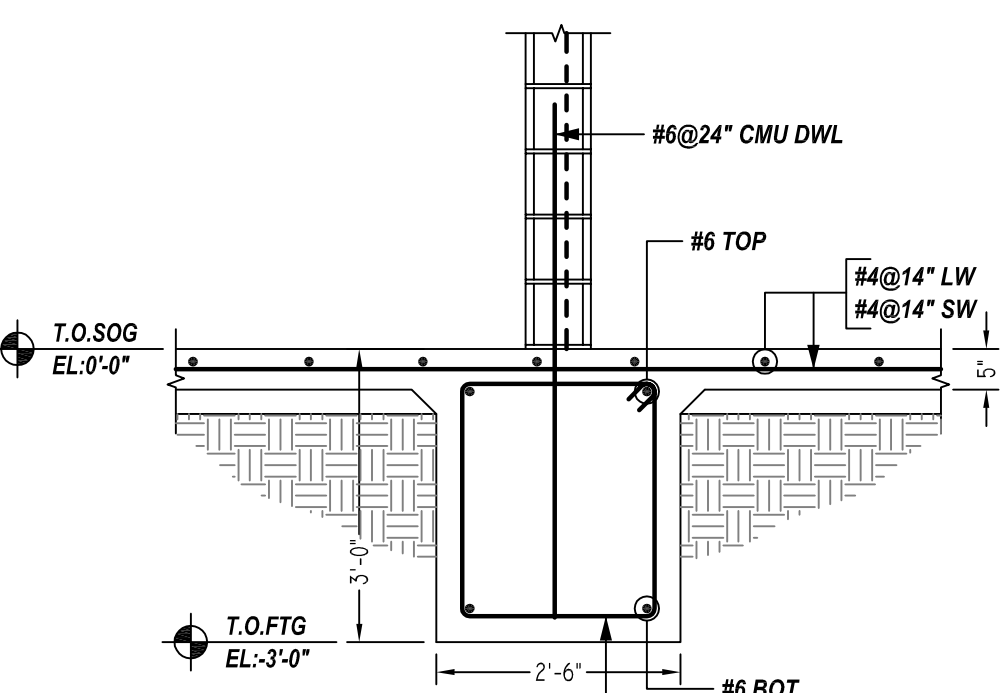
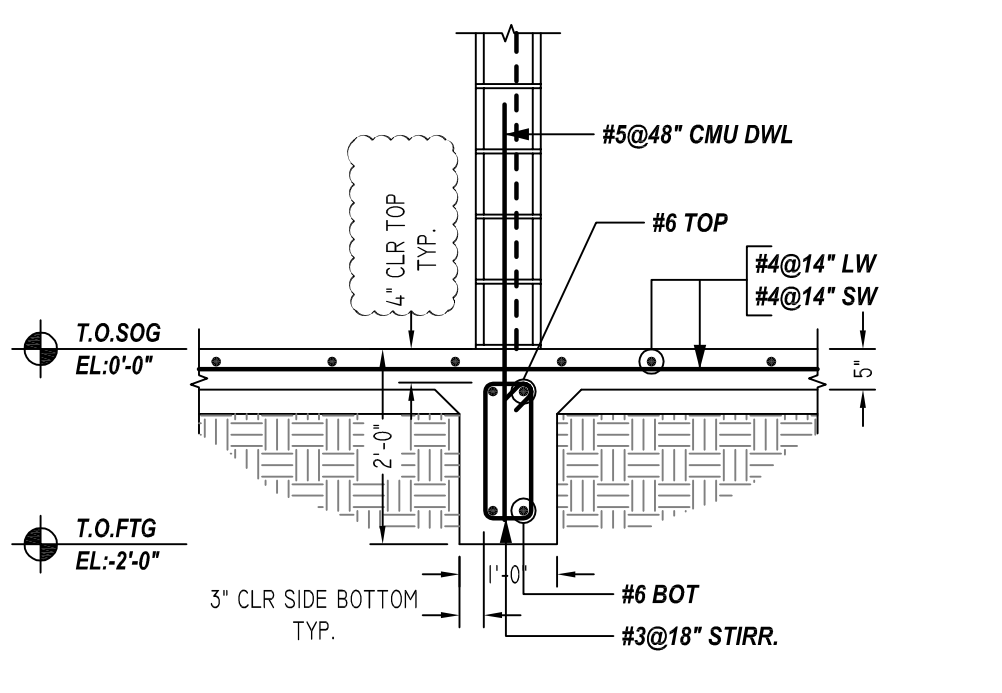
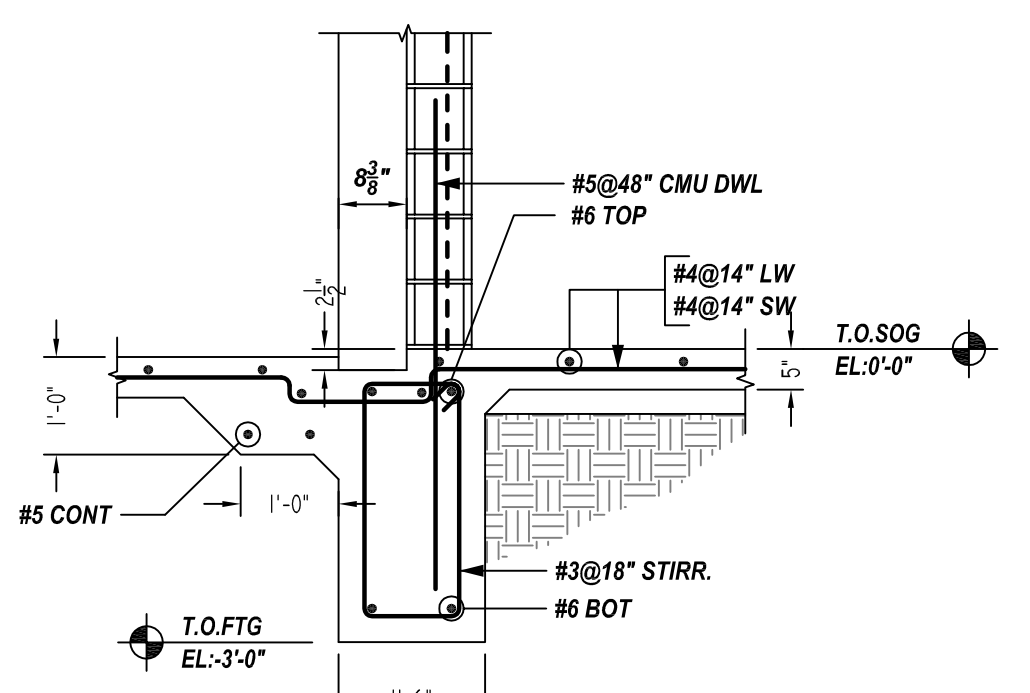
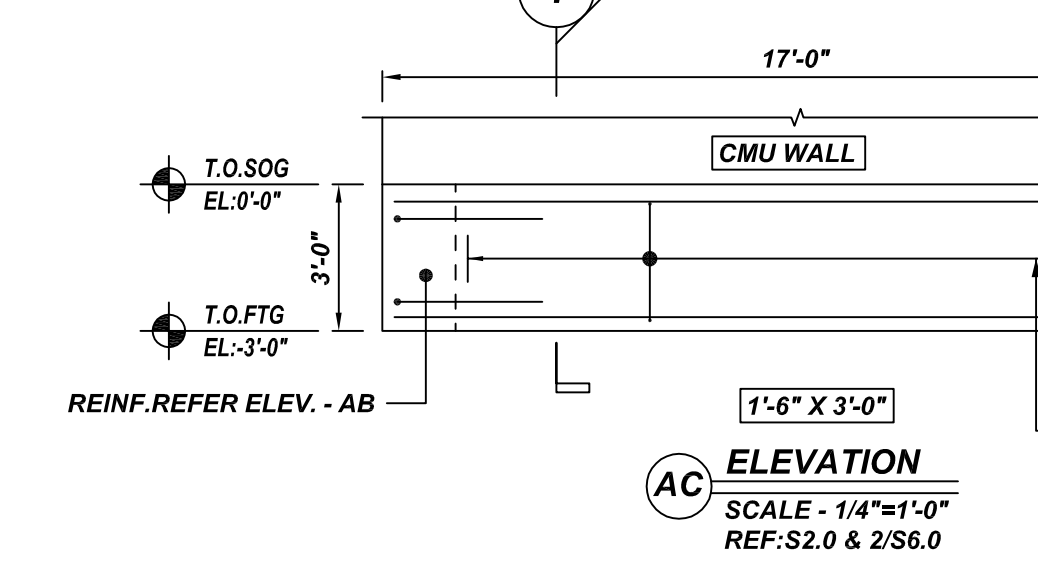
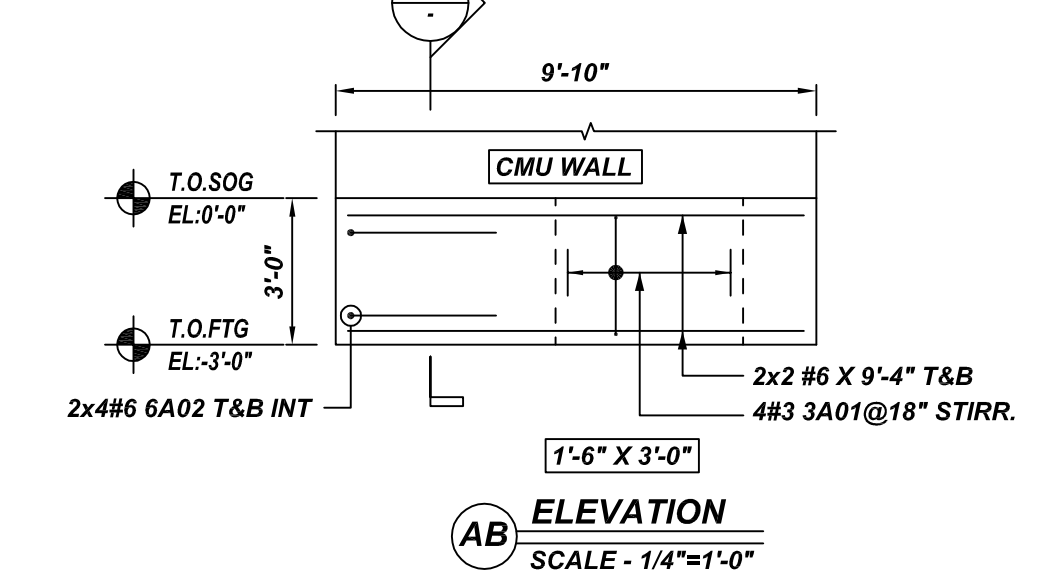
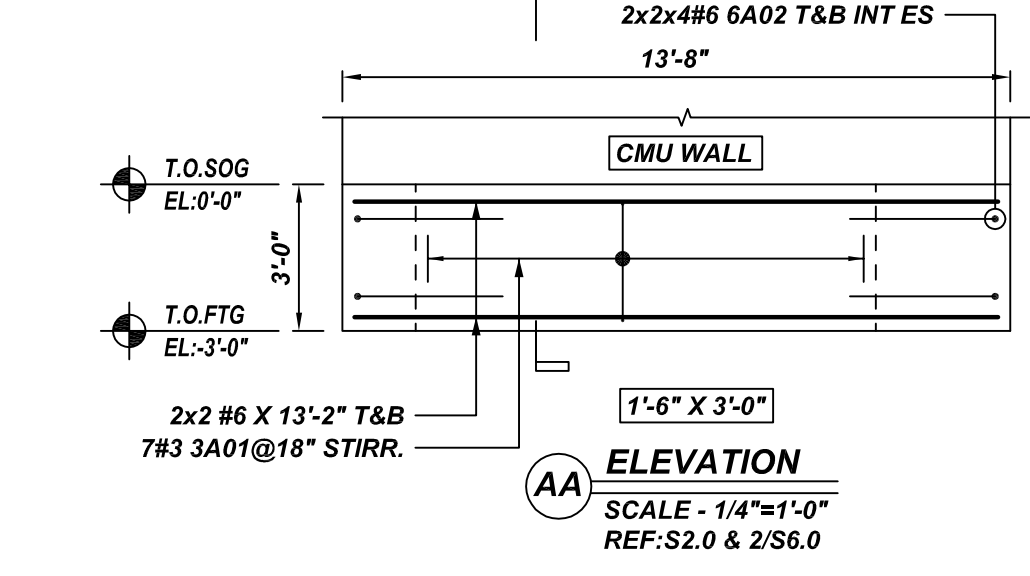
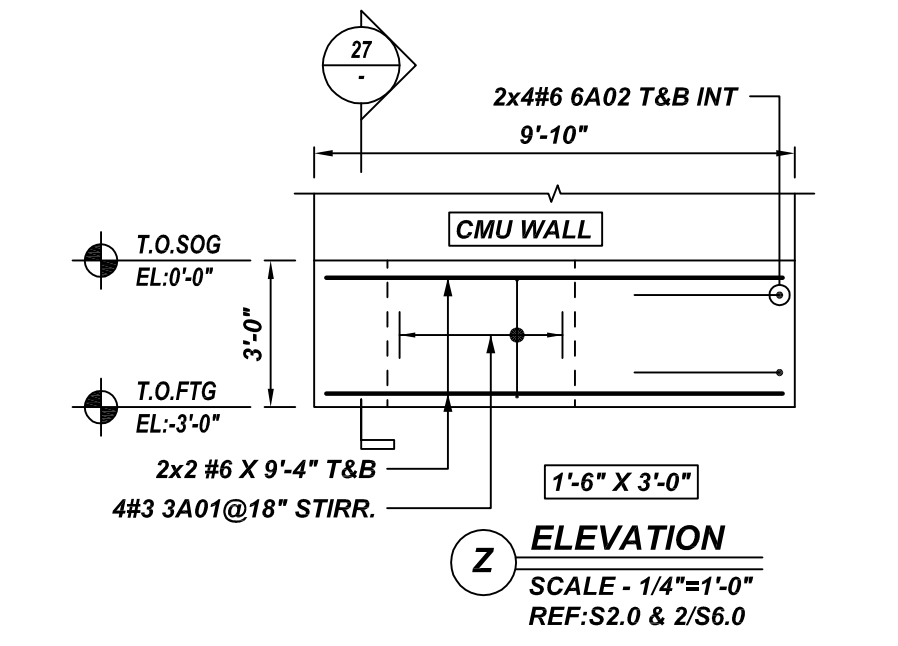
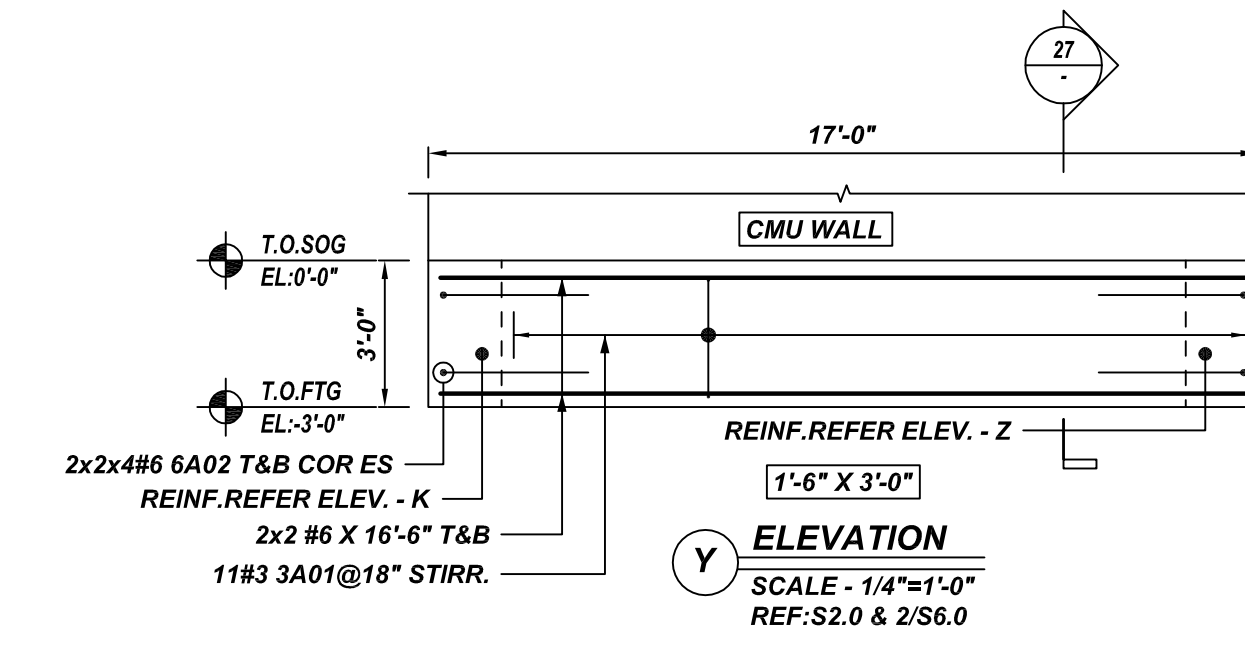
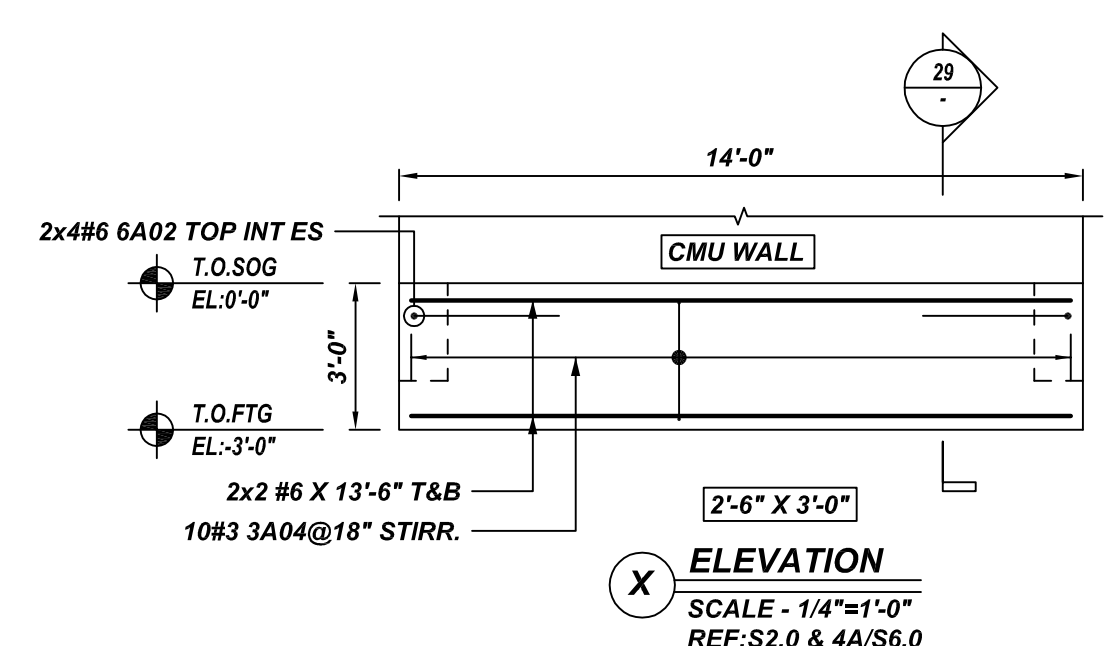
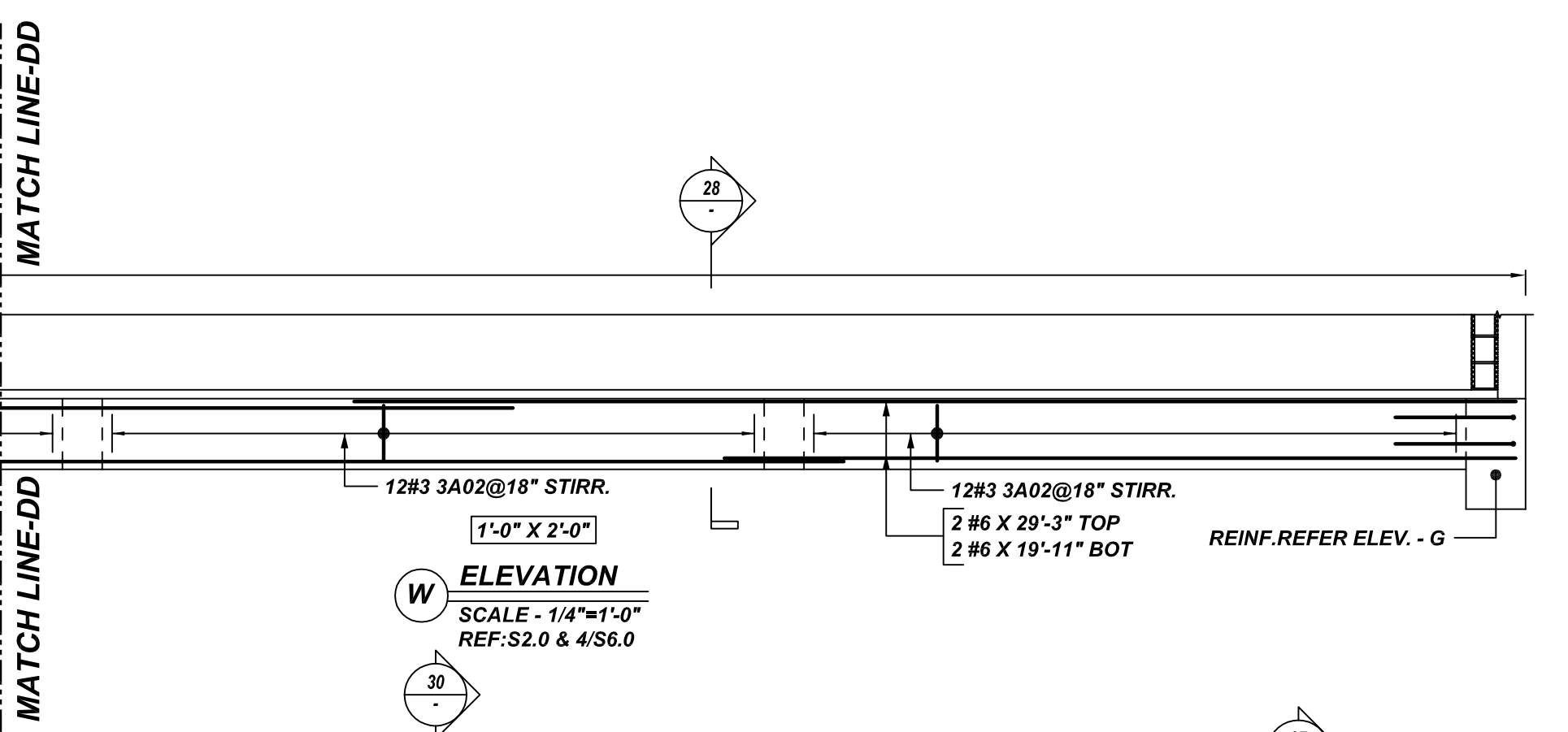
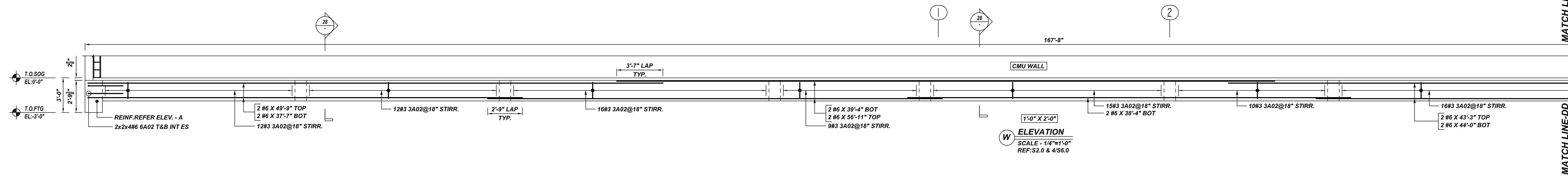
OTHERS

SIZE	44 Ø LAP	SIZE	55 Ø LAP
#3	17"	#7	49"
#4	22"	#8	55"
#5	28"	#9	62"
#6	33"	#10	69"



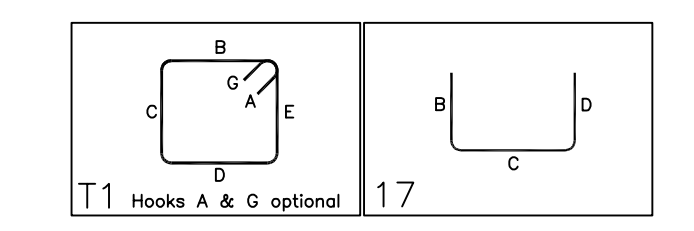
KEY PLAN
SCALE: 1/8" = 1'-0"
REF:S2.0

SUBMITTAL RECORD		PROJECT INFORMATION		DRAWING
DATE: 09-15-21	FOR: FOR APPROVAL	CUSTOMER: ECON CONSTRUCTION	JOB #: 5270	R1.009
DATE:	FOR:	JOB NAME: PCT & NEW JUSTICE CENTER	DETAILER: BCS	
DATE:	FOR:	LOCATION: HIDALGO COUNTY, TX	PHONE: 281-559-5864	
DATE:	FOR:	DESCRIPTION: GRADE BEAM REINFORCEMENT DETAILS		
DATE:	FOR:			



Release Number: R1.010

Bar Mark	Qty	Size	Total Length	Type	X'	Y'	Z'	BAR LIST	X'	Y'	Z'	X'	Y'	Z'
3A01	36	#3	7'-6"	11	0'-4"	1'-0"	2'-5"	1'-0"	2'-5"	0'-4"	11			
3A02	114	#3	4'-6"	11	0'-4"	0'-6"	1'-5"	0'-6"	1'-5"	0'-4"	11			
3A04	10	#3	9'-6"	11	0'-4"	2'-0"	2'-5"	2'-0"	2'-5"	0'-4"	11			
6A02	88	#6	6'-0"	17	3'-0"	3'-0"					17			



NOTES :-

- TYPICAL CLEARANCE ARE AS FOLLOWS:
FOLLOW MINIMUM COVER IN ACCORDANCE WITH SLAB
- ALL DIMENSIONS ARE FEET AND INCHES U.S.O
- AVE PLEASE VERIFY THE CLOUDED ITEMS

TOP LAP SCHEDULE				OTHERS LAP SCHEDULE			
SIZE	57 Ø LAP	72 Ø LAP	72 Ø LAP	SIZE	44 Ø LAP	55 Ø LAP	55 Ø LAP
#3	22"	#7	63"	#3	17"	#7	49"
#4	29"	#8	72"	#4	22"	#8	55"
#5	36"	#9	81"	#5	28"	#9	62"
#6	43"	#10	90"	#6	33"	#10	69"

SUBMITTAL RECORD		PROJECT INFORMATION		DRAWING
DATE: 09-15-21	FOR: FOR APPROVAL	CUSTOMER: ECON CONSTRUCTION	JOB #: 5270	R1.010
DATE:	FOR:	JOB NAME: PCT & NEW JUSTICE CENTER	DETAILER: BCS	
DATE:	FOR:	EMAIL: bcs@bcsinc.com		
DATE:	FOR:	LOCATION: HIDALGO COUNTY, TX	PHONE: 281-559-5864	
DATE:	FOR:	DESCRIPTION: GRADE BEAM REINFORCEMENT DETAILS		