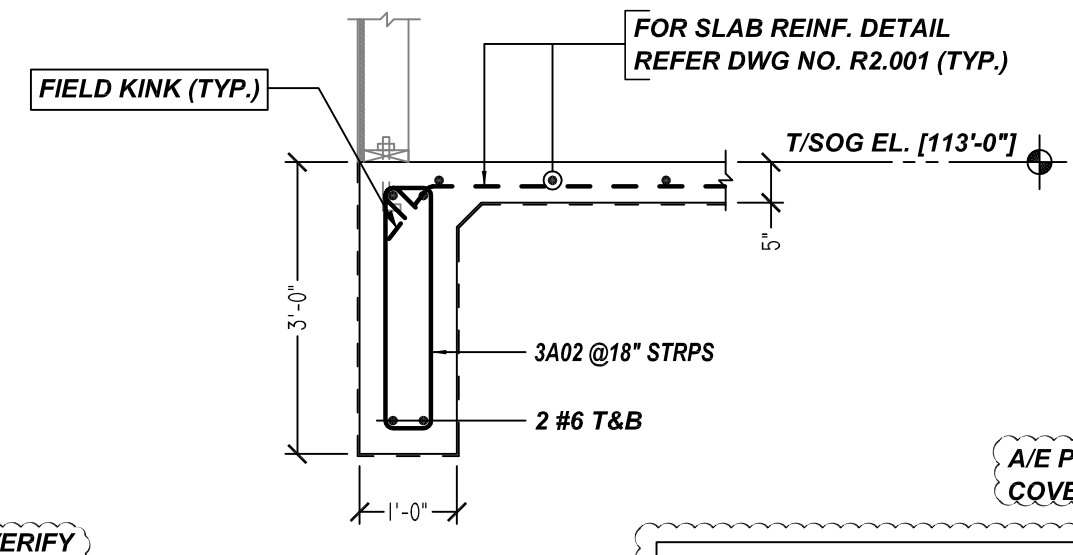
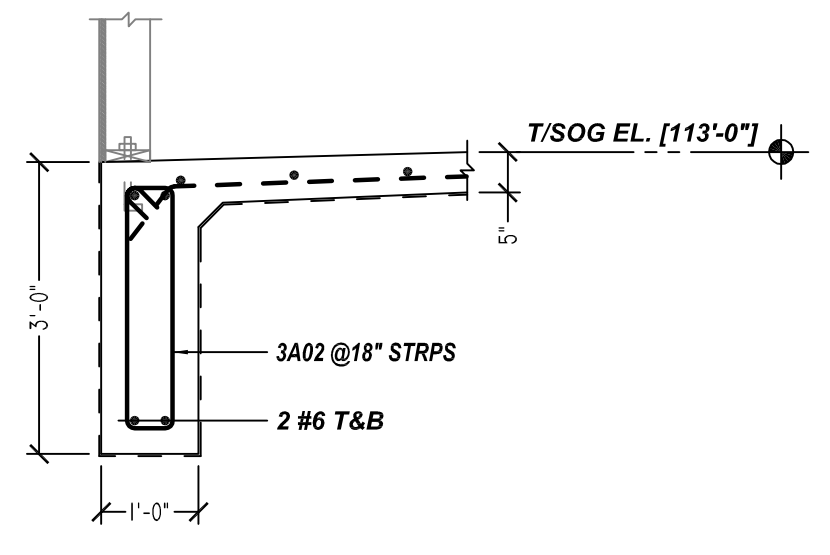


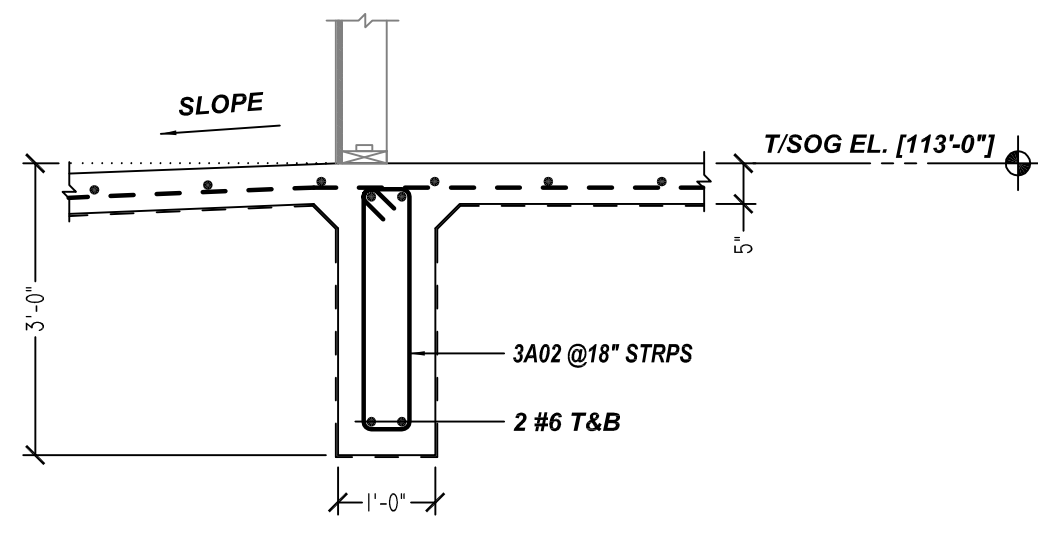
DUMPSTER PAD FOUNDATION DETAILS
SCALE - 1/4"=1'-0"
REF:14/S6.1



1 SECTION
SCALE - 1/2"=1'-0"
REF:1/S6.1



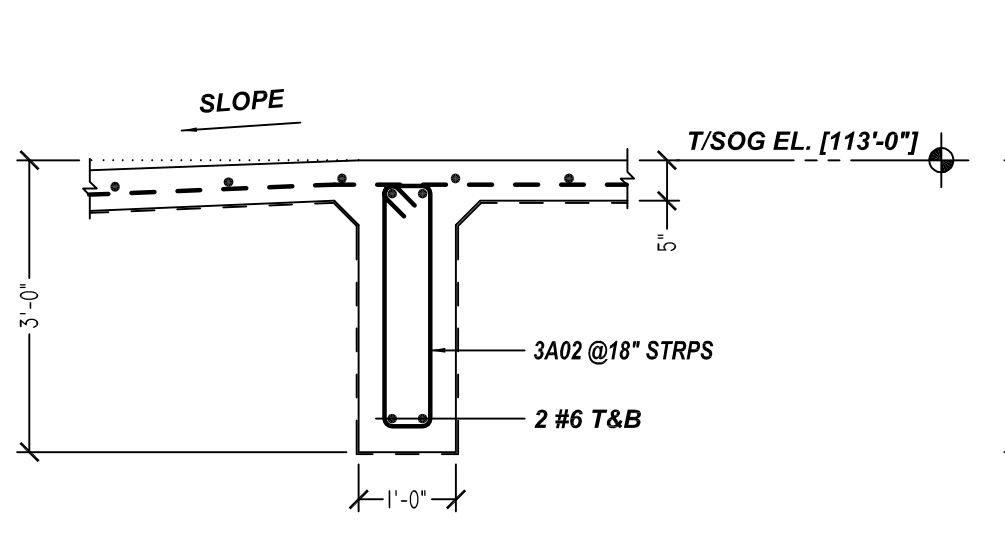
2 SECTION
SCALE - 1/2"=1'-0"
REF:2/S6.1



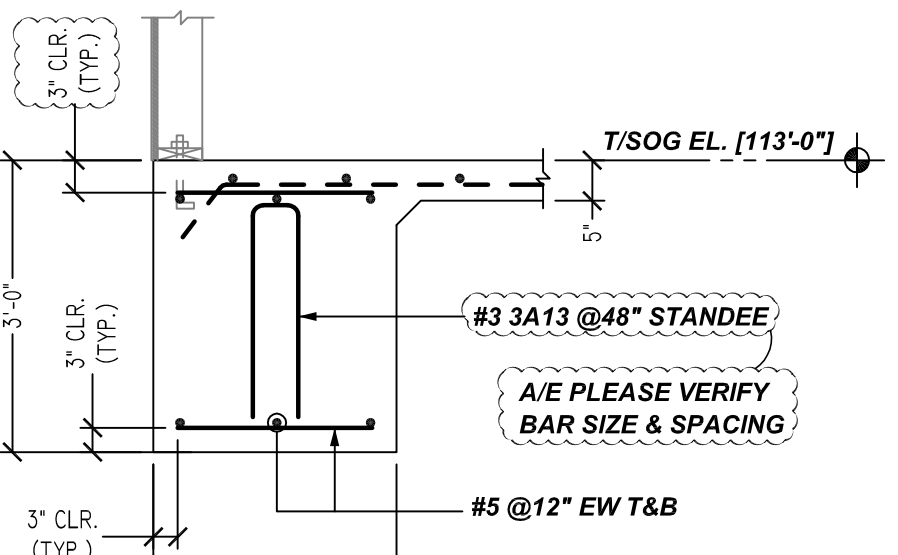
3 SECTION
SCALE - 1/2"=1'-0"
REF:3/S6.1

TYPICAL REINFORCING BAR CLEARANCE TABLE

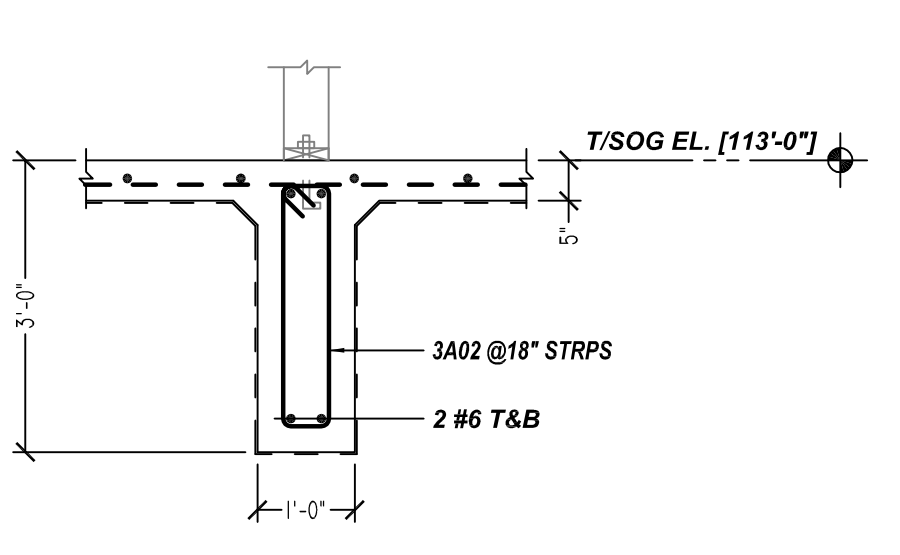
LOCATION	MIN. COVER
TOP & BOTTOM	3" CLR
SIDE	3" CLR



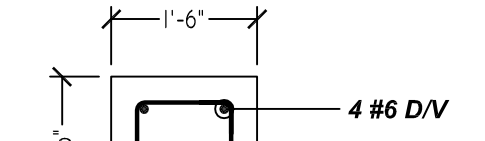
4 SECTION
SCALE - 1/2"=1'-0"
REF:4/S6.1



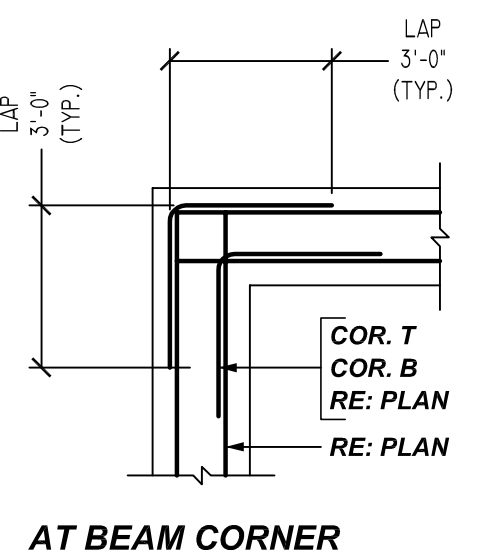
5 SECTION
SCALE - 1/2"=1'-0"
REF:5/S6.1



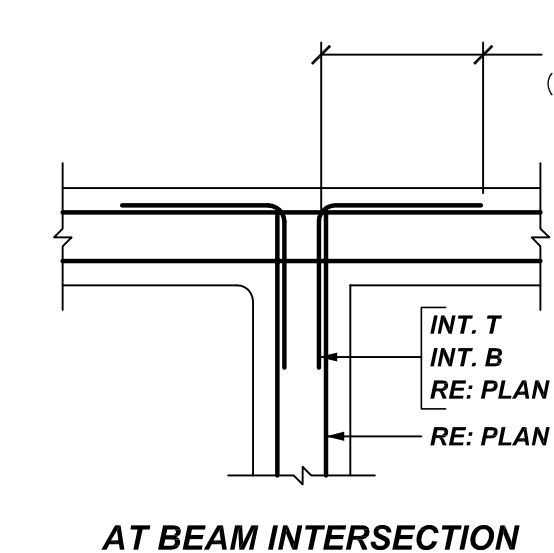
6 SECTION
SCALE - 1/2"=1'-0"
REF:6/S6.1



A SECTION
SCALE - 1/2"=1'-0"
REF:1/S6.1



AT BEAM CORNER



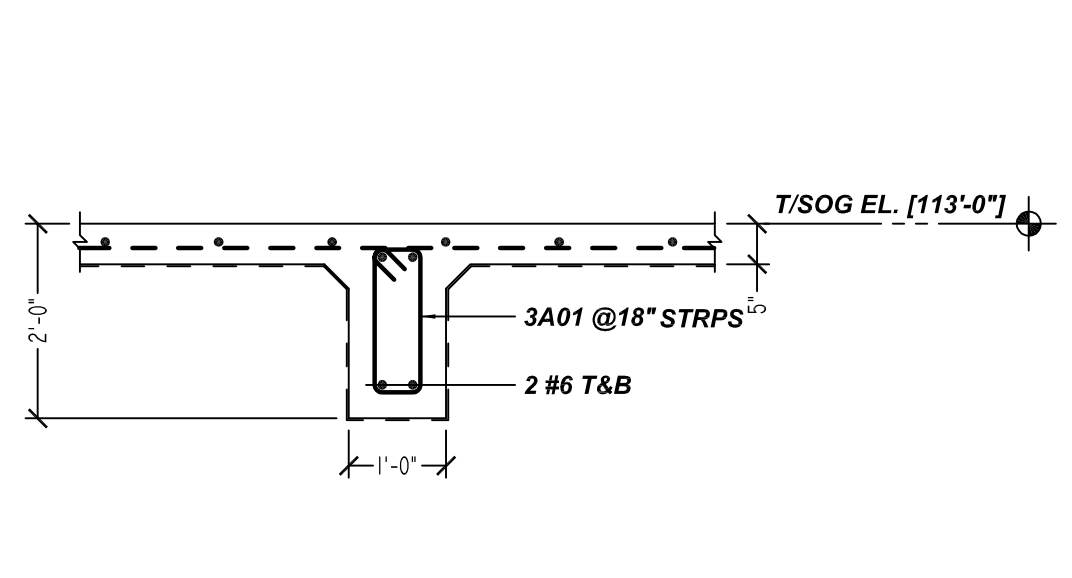
AT BEAM INTERSECTION

Release Number: R1.002

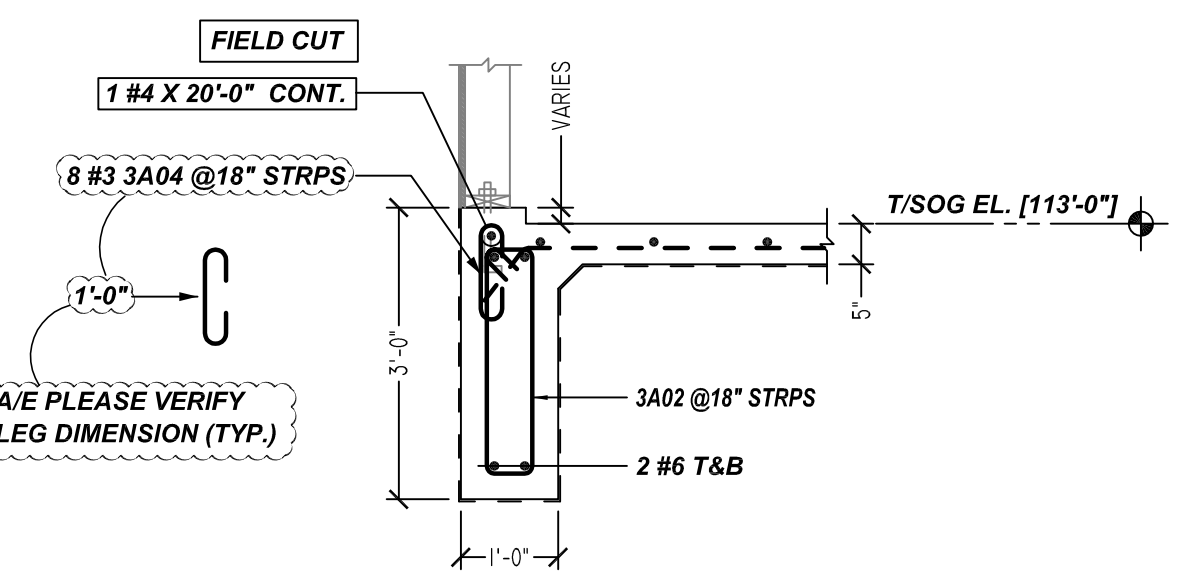
Bar Mark	Qty	Size	Total Length	Type	X	Y	Z	V	W	U	T	S	R	Q	P
3A01	7	#3	4'-8 1/2"	11	0'-4 X	0'-6"	1'-6"	0'-6"	0'-6"	1'-6"	0'-4 X	0'-4 X	0'-4 X	0'-4 X	0'-4 X
3A02	42	#3	6'-8 1/2"	11	0'-4 X	0'-6"	2'-6"	0'-6"	2'-6"	1'-0"	0'-4 X	0'-4 X	0'-4 X	0'-4 X	0'-4 X
3A03	24	#3	4'-0"	12	0'-4 X	0'-6"	1'-0"	1'-0"	1'-0"	1'-0"	0'-4 X	0'-4 X	0'-4 X	0'-4 X	0'-4 X
3A04	8	#3	1'-10"	1	0'-5"	1'-0"	1'-0"	0'-5"	0'-5"	0'-5"	0'-5"	0'-5"	0'-5"	0'-5"	0'-5"
6A01	24	#6	6'-0"	17	3'-0"	3'-0"	3'-0"	3'-0"	3'-0"	3'-0"	3'-0"	3'-0"	3'-0"	3'-0"	3'-0"
6A02	24	#6	3'-5 1/2"	2	1'-0"	2'-5 1/2"	2'-5 1/2"	2'-5 1/2"	2'-5 1/2"	2'-5 1/2"	2'-5 1/2"	2'-5 1/2"	2'-5 1/2"	2'-5 1/2"	2'-5 1/2"

ACCESSORIES DETAILS

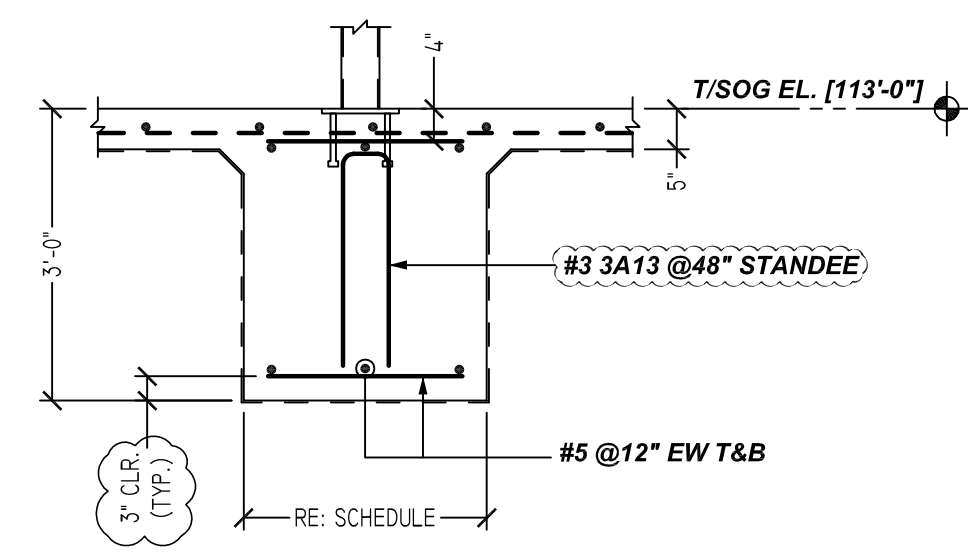
S. NO	ELEMENT	DESCRIPTION	PCS	AREA/LFT	REMARK
1	GRADE BEAM	3" BEAM BOLSTER 5'-0" LENGTH @4'-0" O.C	490	2190 LFT	FOR BEAM SUPPORT (@ BOTTOM)



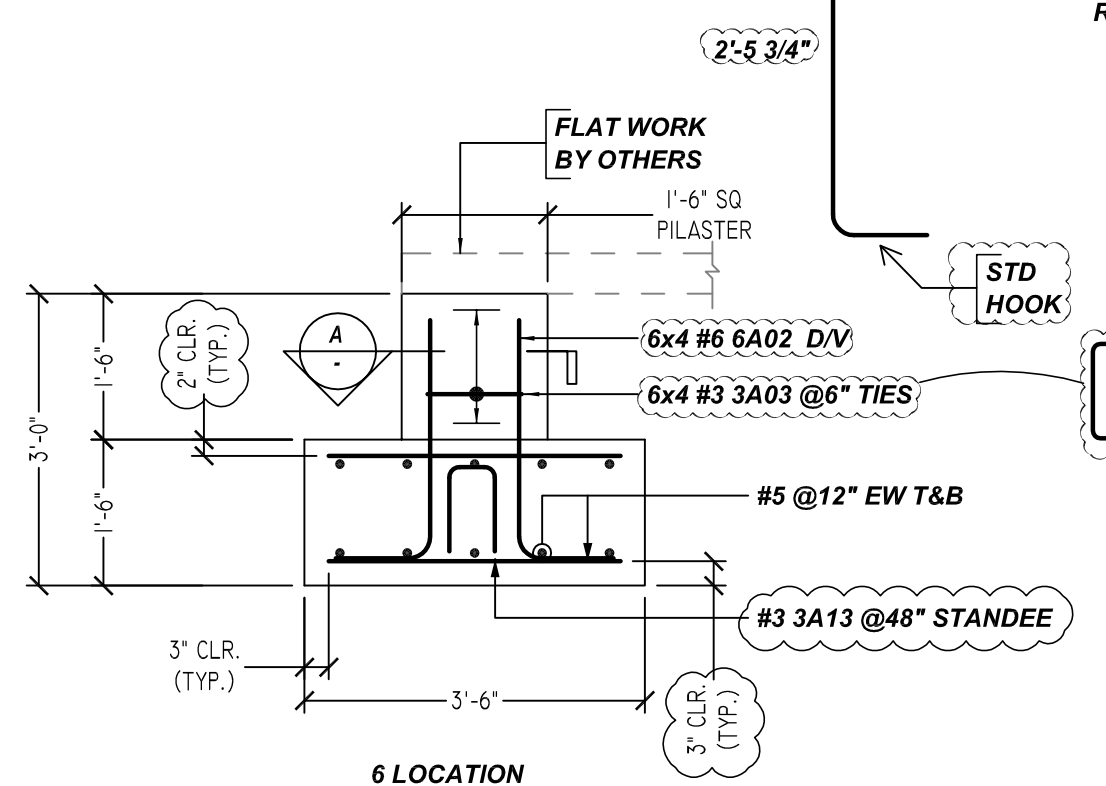
7 SECTION
SCALE - 1/2"=1'-0"
REF:7/S6.1



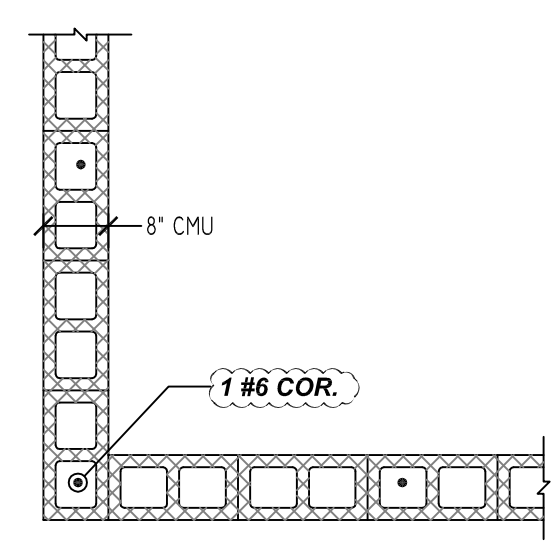
8 SECTION
SCALE - 1/2"=1'-0"
REF:8/S6.1



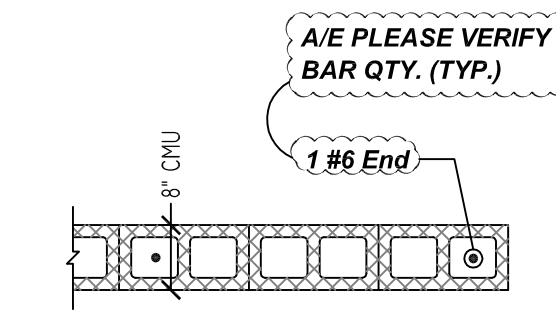
9 SECTION
SCALE - 1/2"=1'-0"
REF:9/S6.1



10 SECTION
SCALE - 1/2"=1'-0"
REF:10/S6.1



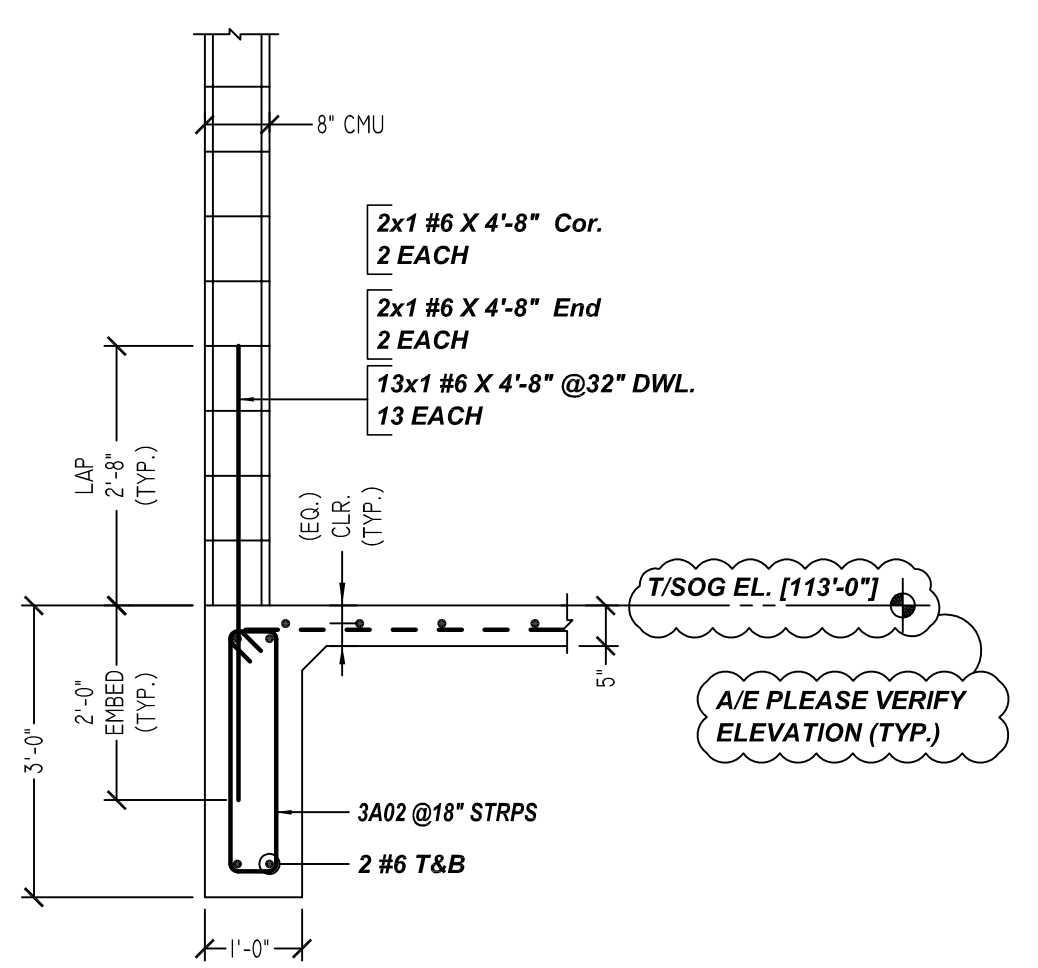
CORNER



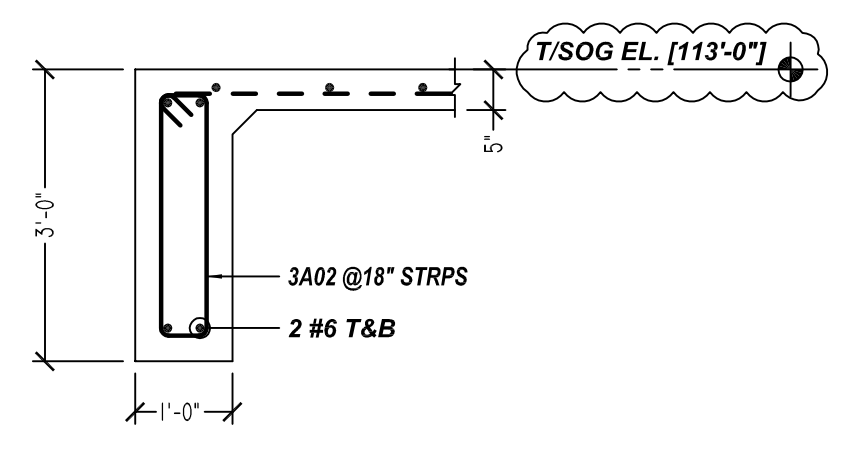
END

TYPICAL MASONRY WALL DETAIL
SCALE - 1/2"=1'-0"
REF:11/S6.1

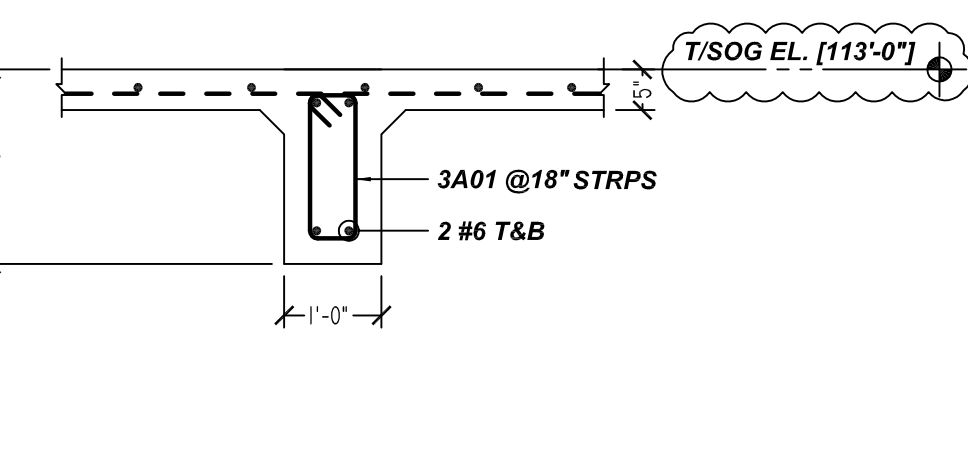
A/E PLEASE VERIFY BAR ARRANGEMENT (TYP.)



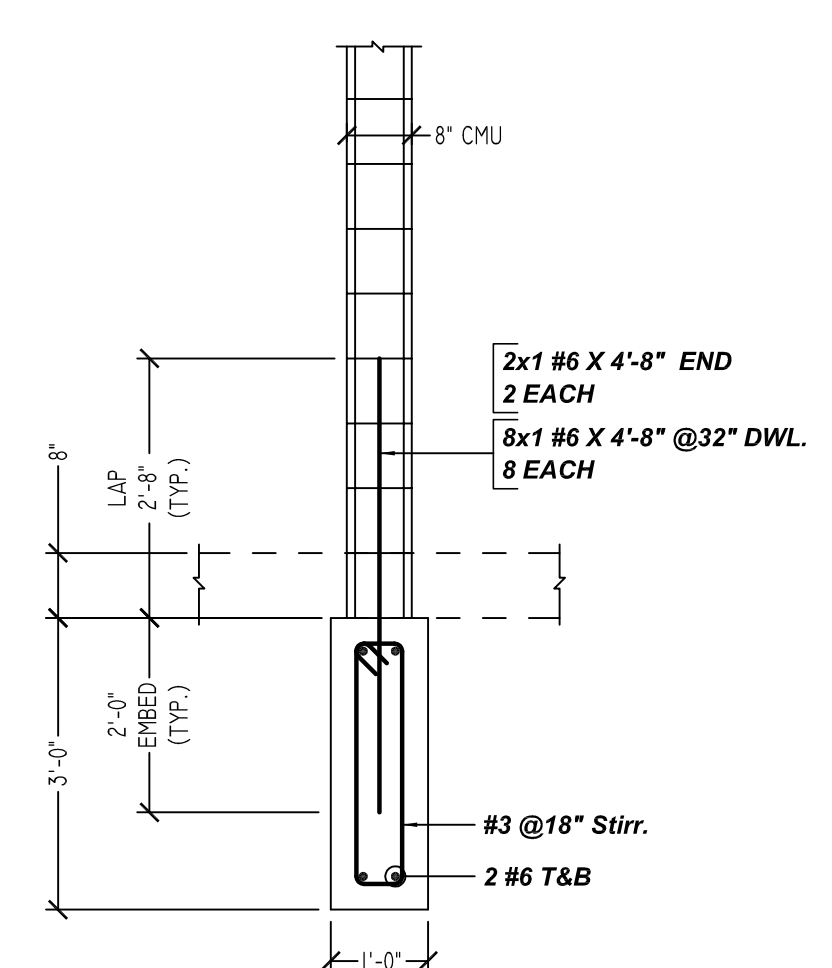
11 SECTION
SCALE - 1/2"=1'-0"
REF:11/S6.1



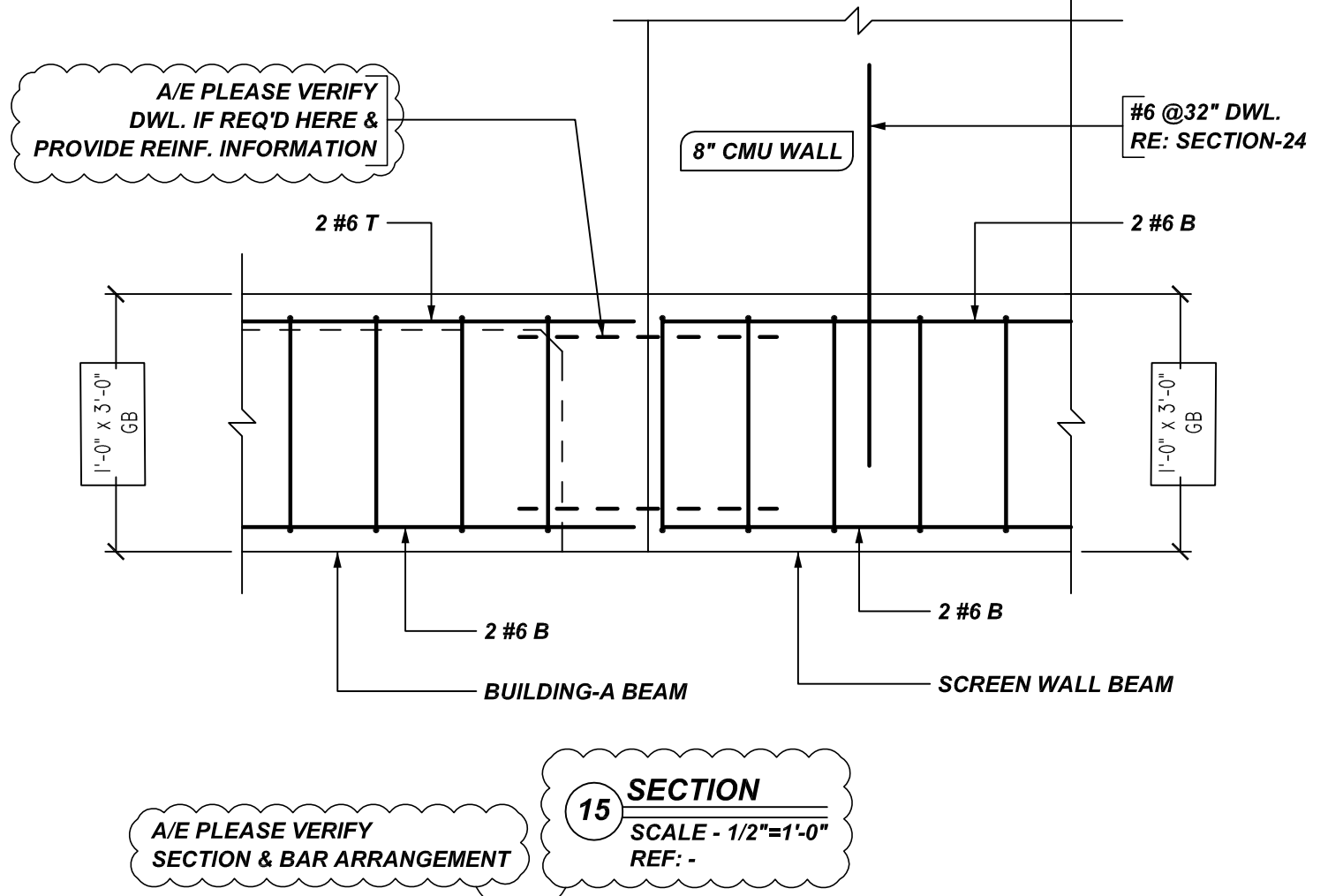
12 SECTION
SCALE - 1/2"=1'-0"
REF:12/S6.1



13 SECTION
SCALE - 1/2"=1'-0"
REF:13/S6.1



14 SECTION
SCALE - 1/2"=1'-0"
REF:14/S6.1



15 SECTION
SCALE - 1/2"=1'-0"
REF:15/S6.1

SUBMITTAL RECORD		PROJECT INFORMATION	
DATE: 10/22/21	FOR: APPROVAL	CUSTOMER: SANY CONSTRUCTION	JOB #: 5283
DATE: -	FOR: -	JOB NAME: VANGUARD REMBRANT EARLY CHILDHOOD	DETAILS: BCS
DATE: -	FOR: -	EMAIL: dperaz@royaltychitect.com	PHONE: 281-659-5964
DATE: -	FOR: -	LOCATION: PHARR, TX	DESCRIPTION: BUILDING-A GRADE BEAM REINFORCEMENT DETAIL

R1.002