

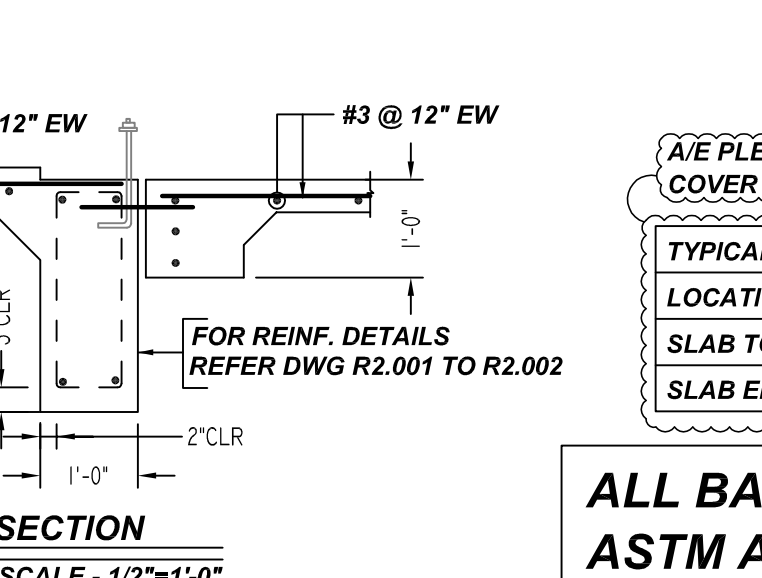
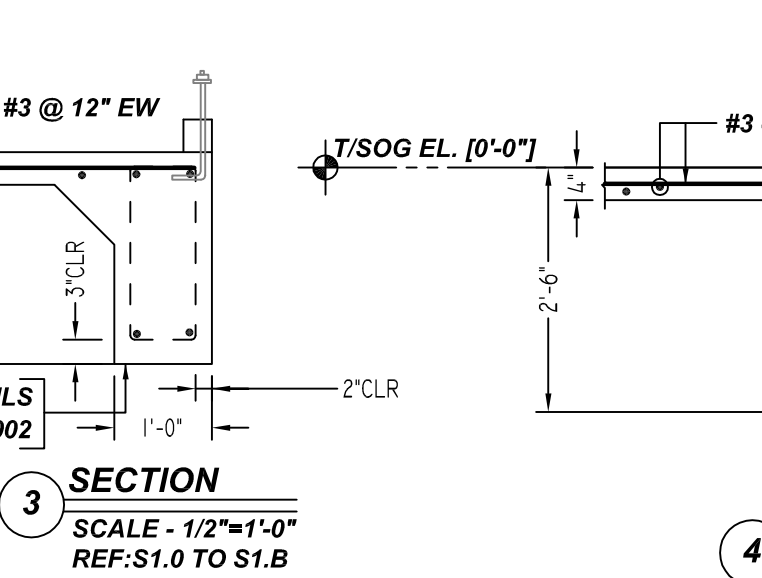
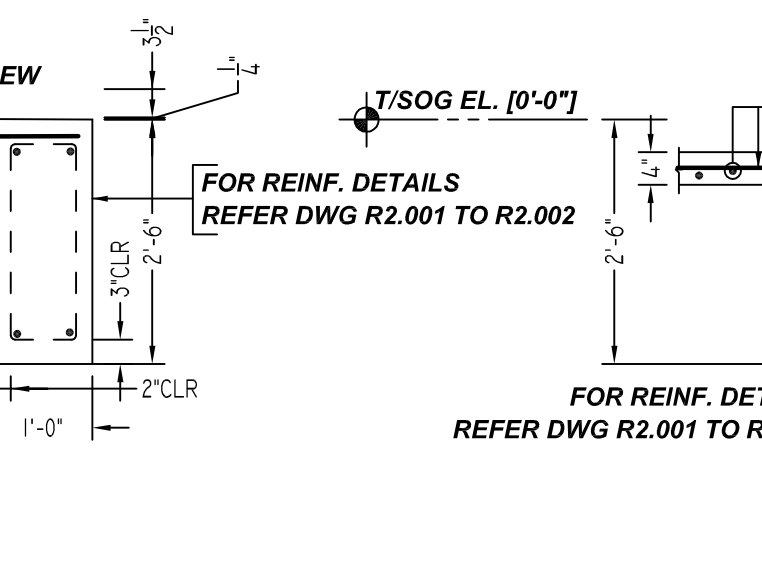
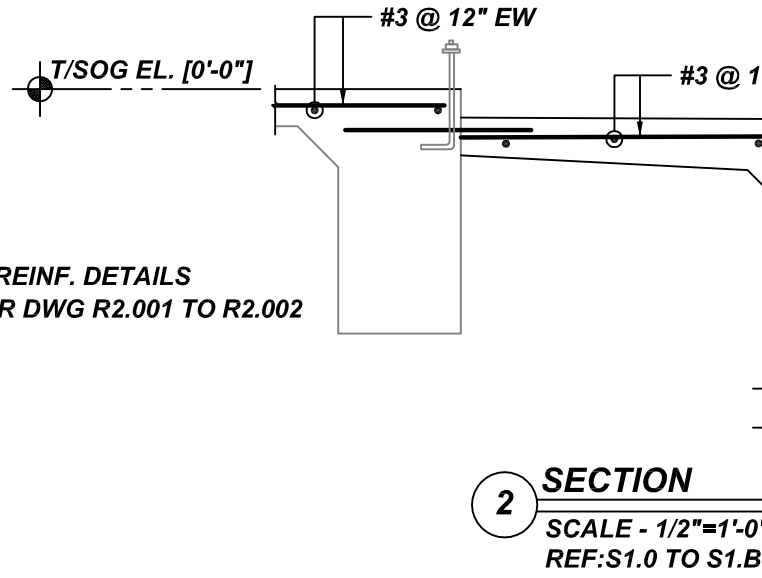
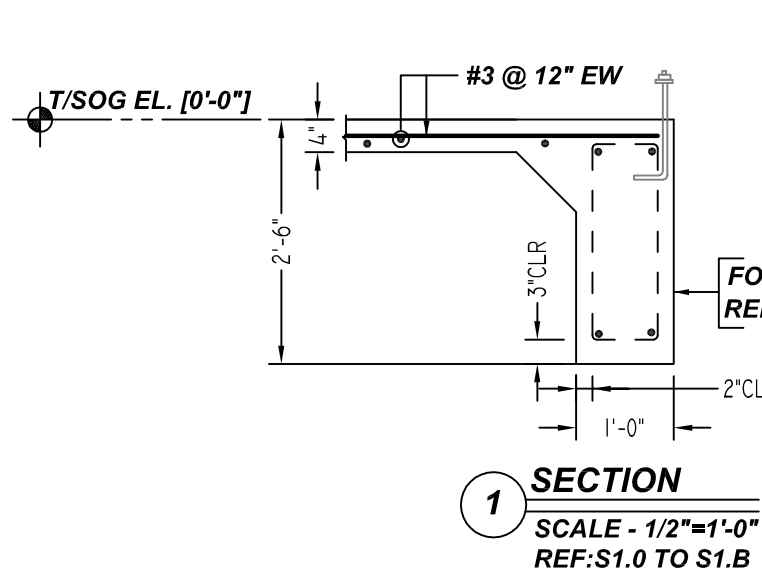
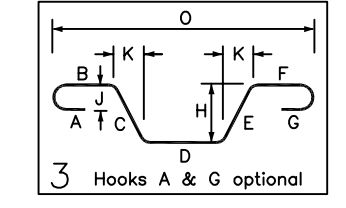
ACCESSORIES DETAILS					
S. NO	ELEMENT	DESCRIPTION	PCS	LFT	REMARK
1	4" THK SOG	2" HT SB @4'-0" C/C	-	1410	FOR BAR SUPPORT (@ BOTTOM)

A/E PLEASE VERIFY LFT VALUE

A/E PLEASE VERIFY NORTH DIRECTION

**SHORTER WAY**  
**SLAB ON GRADE REINFORCEMENT DETAILS UNIT 01-05**  
 SCALE - 1/4"=1'-0"  
 REF:S1.0 TO S1.B

Release Number: R5.001		BENDING DETAILS													
Bar Mark	Qty	Size	Total Length	Type	X'	Y'	Z'	W'	V'	U'	T'	S'	R'	Q'	P'
3F01	63	#3	4'-4"	3	2'-0"	0'-4"	2'-0"					0'-3"	4'-3"		
3F02	45	#3	4'-2"	3	2'-0"	0'-4"	1'-10"					0'-3"	4'-1"		



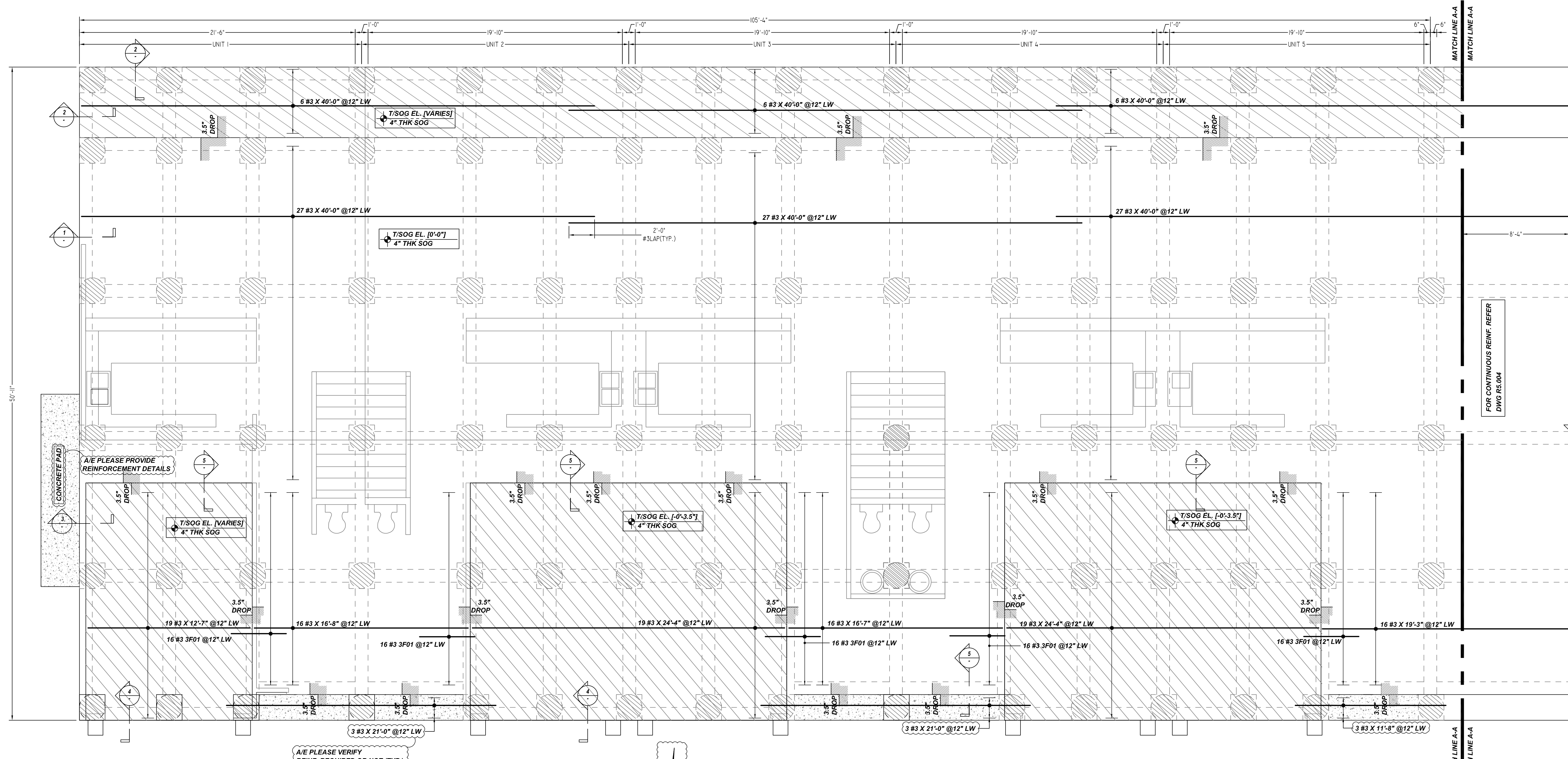
**ALL BARS IN THIS DRAWING**  
**ASTM A615 GRADE 60**  
**BLACK UNCOATED**

TYPICAL REINFORCING BAR CLEARANCE TABLE	
LOCATION	MIN. COVER
SLAB TOP & BOTTOM	2" CLR
SLAB EDGE	2" CLR

LAP SCHEDULE		
SIZE	5000 PSI	
	TOP	OTHERS
#3	22"	17"
#4	29"	22"
#5	36"	28"
#6	43"	33"
#7	63"	49"
#8	72"	55"
#9	81"	63"
#10	91"	70"
#11	101"	78"

SUBMITTAL RECORD		PROJECT INFORMATION	
DATE: 10/28/2021	FOR: FA	CUSTOMER: SAINT CONSTRUCTION	JOB #: 5285
DATE: -	FOR: -	JOB NAME: SPI CONDOS	DETAILER: BCS
DATE: -	FOR: -	LOCATION: SOUTH PADRE ISLAND, TX	PHONE: 281-559-5864
DATE: -	FOR: -	DESCRIPTION: SLAB ON GRADE REINFORCEMENT DETAILS UNIT 01-05	

R5.001



**LONGER WAY**  
**SLAB ON GRADE REINFORCEMENT DETAILS UNIT 01-05**  
 SCALE - 1/4"=1'-0"  
 REF: S1.0 TO S1.B

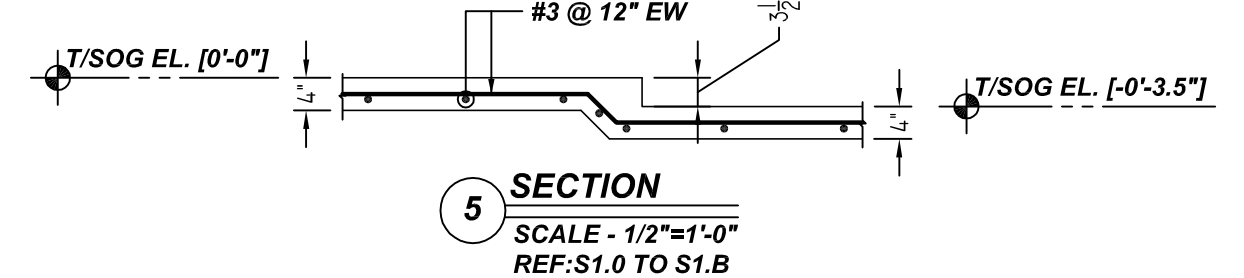
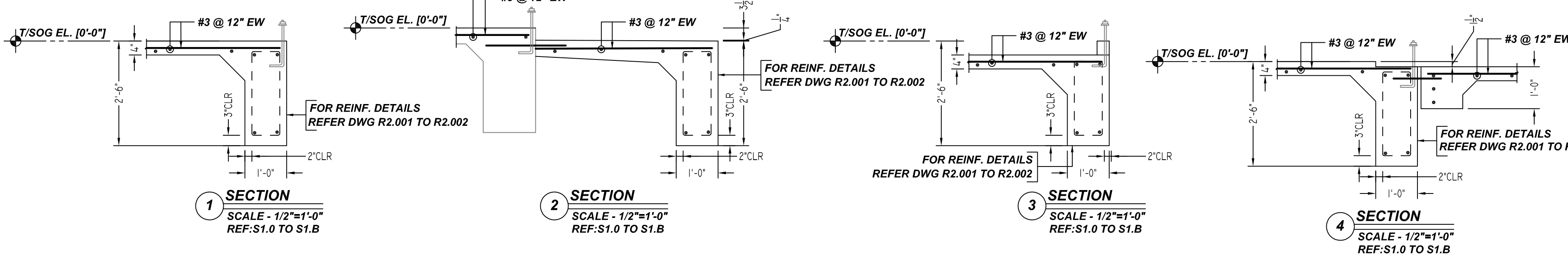
Release Number: R5.002

Bar Mark	Qty	Size	Total Length	Type	X	Y	Z	Y	T	W	Y	Y	Y	Y	Y
3F01	83	#3	4'-4 X	3		2'-0"	0'-4 X	2'-0"			0'-3 X	0'-3 X	4'-3 X		

BENDING DETAILS

3 Hooks A & C optional

A/E PLEASE VERIFY NORTH DIRECTION



A/E PLEASE VERIFY COVER VALUE

LOCATION	MIN. COVER
SLAB TOP & BOTTOM	2" CLR
SLAB EDGE	2" CLR

A/E PLEASE VERIFY COVER VALUE

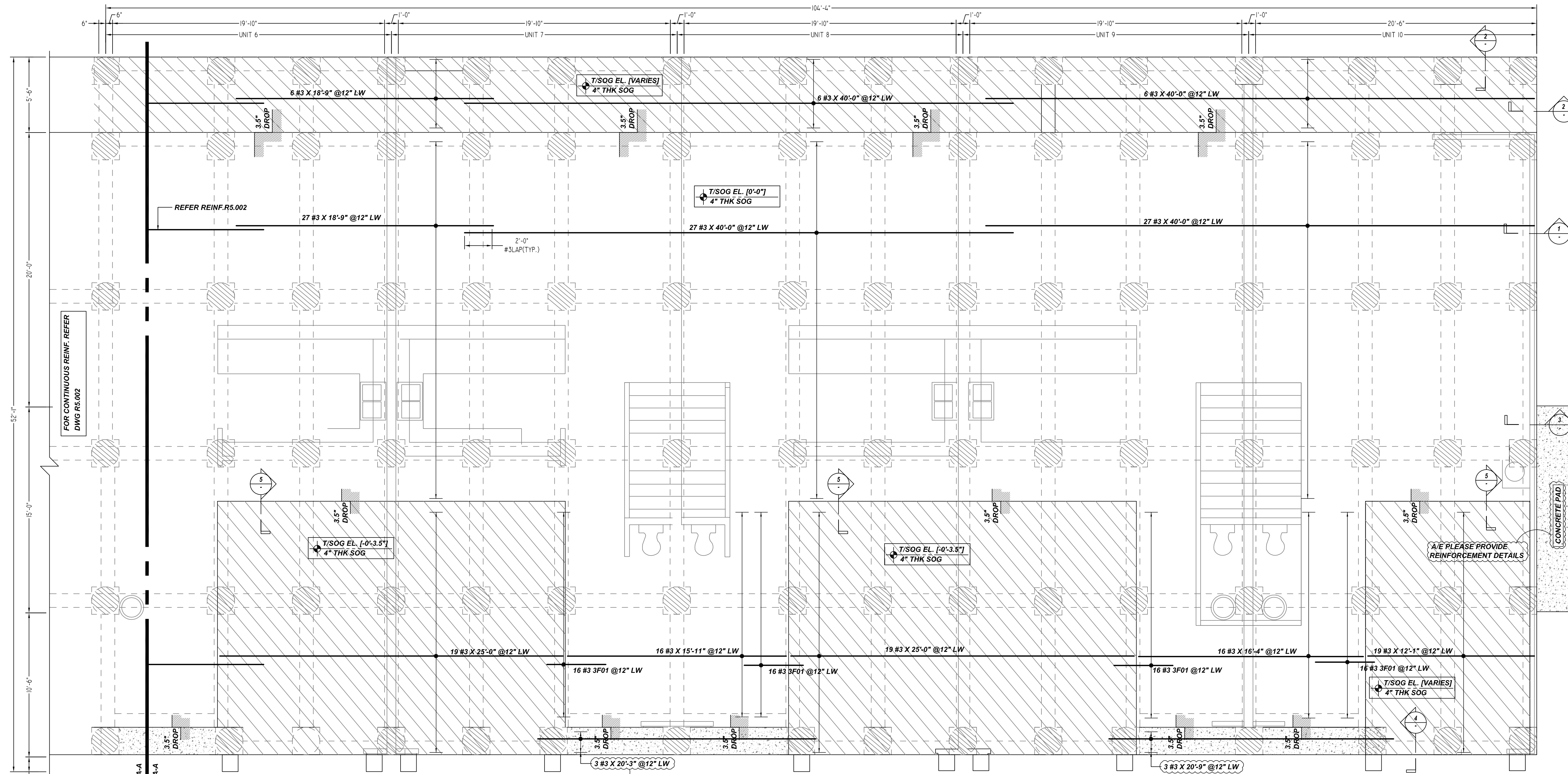
SIZE	5000 PSI	
	TOP	OTHERS
#3	22"	17"
#4	29"	22"
#5	36"	28"
#6	43"	33"
#7	63"	49"
#8	72"	55"
#9	81"	63"
#10	91"	70"
#11	101"	78"

**ALL BARS IN THIS DRAWING**  
**ASTM A615 GRADE 60**  
**BLACK UNCOATED**

SUBMITTAL RECORD		PROJECT INFORMATION	
DATE: 10/28/2021	FOR: FA	CUSTOMER: SAINT CONSTRUCTION	JOB #: 5285
DATE: -	FOR: -	JOB NAME: SPI CONDOS	DETAILER: BCS
DATE: -	FOR: -	EMAIL: dpc@stacjctd.com	
DATE: -	FOR: -	LOCATION: SOUTH PADRE ISLAND, TX	PHONE: 281-659-5864
DATE: -	FOR: -	DESCRIPTION: SLAB ON GRADE REINFORCEMENT DETAILS UNIT 01-05	

R5.002

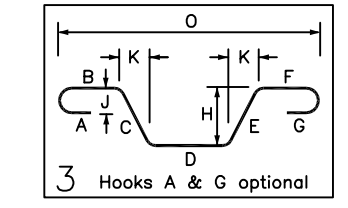




A/E PLEASE VERIFY REINF. REQUIRED OR NOT (TYP.)

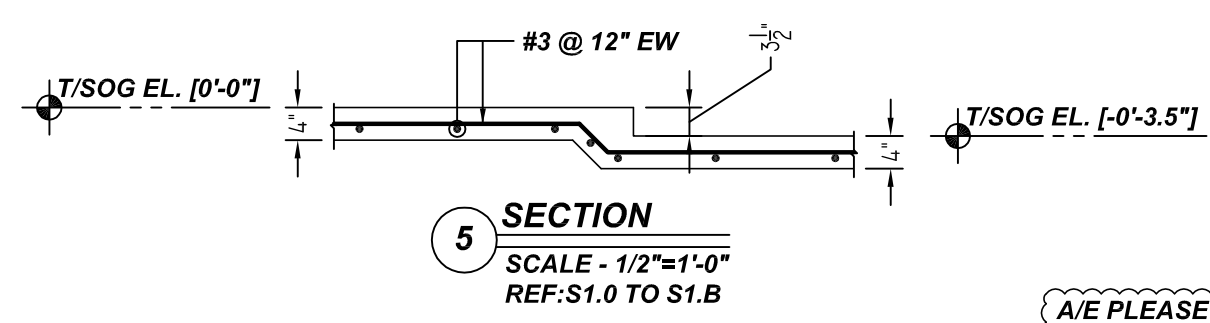
**LONGER WAY**  
**SLAB ON GRADE REINFORCEMENT DETAILS UNIT 06-10**  
 SCALE - 1/4"=1'-0"  
 REF: S1.0 TO S1.B

Bar Mark	Qty	Size	Total Length	Type	X	Y	Z	Y	Y	Y	Y	Y	Y	Y	Y	Y
3F01	172	#3	4'-4 X 3	3		2'-0"	0'-4 X	2'-0"			0'-3 X				0'-3 X	4'-3 X

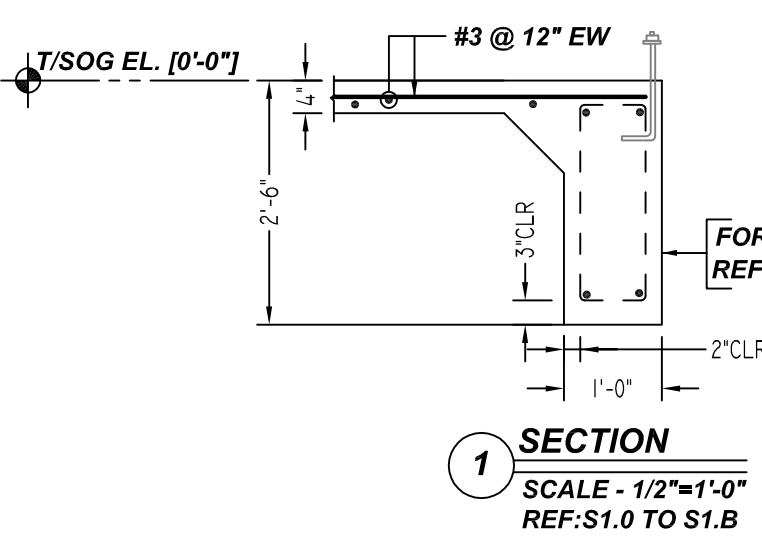


3 Hooks A & G optional

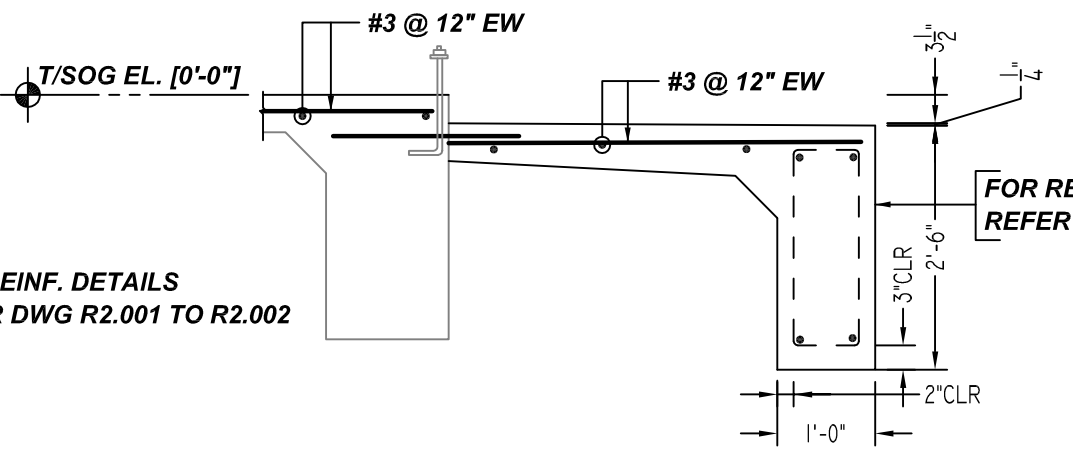
A/E PLEASE VERIFY NORTH DIRECTION



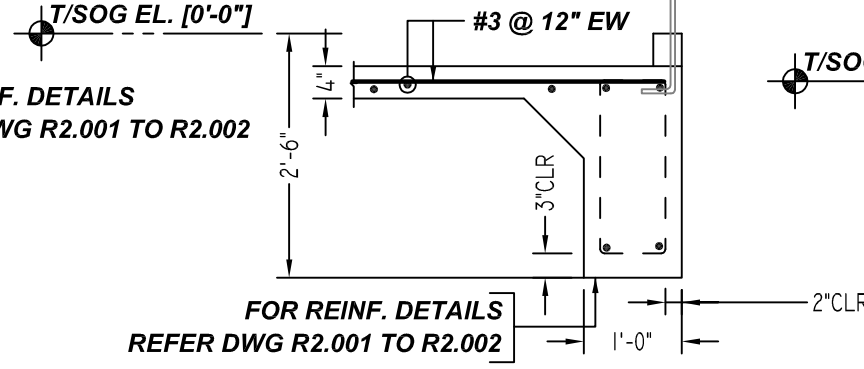
**5 SECTION**  
 SCALE - 1/2"=1'-0"  
 REF: S1.0 TO S1.B



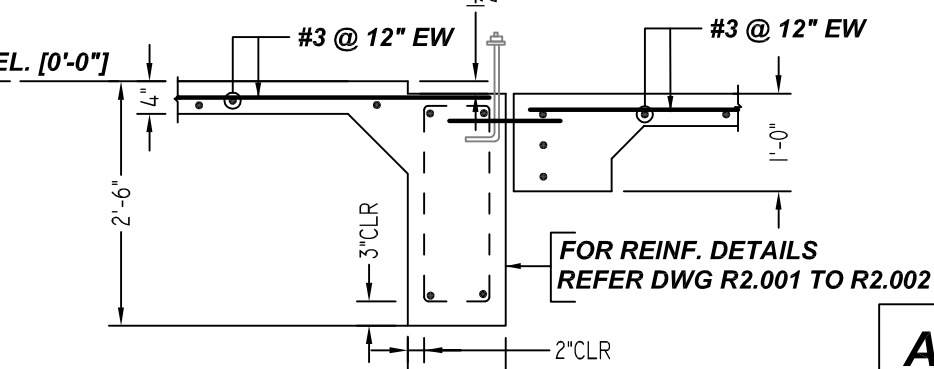
**1 SECTION**  
 SCALE - 1/2"=1'-0"  
 REF: S1.0 TO S1.B



**2 SECTION**  
 SCALE - 1/2"=1'-0"  
 REF: S1.0 TO S1.B



**3 SECTION**  
 SCALE - 1/2"=1'-0"  
 REF: S1.0 TO S1.B



**4 SECTION**  
 SCALE - 1/2"=1'-0"  
 REF: S1.0 TO S1.B

**ALL BARS IN THIS DRAWING**  
**ASTM A615 GRADE 60**  
**BLACK UNCOATED**

A/E PLEASE VERIFY COVER VALUE

LOCATION	MIN. COVER
SLAB TOP & BOTTOM	2" CLR
SLAB EDGE	2" CLR

A/E PLEASE VERIFY COVER VALUE

SIZE	5000 PSI	
	TOP	OTHERS
#3	22"	17"
#4	29"	22"
#5	36"	28"
#6	43"	33"
#7	63"	49"
#8	72"	55"
#9	81"	63"
#10	91"	70"
#11	101"	78"

SUBMITTAL RECORD		PROJECT INFORMATION	
DATE: 10/28/2021	FOR: FA	CUSTOMER: SAINT CONSTRUCTION	JOB #: 5285
DATE: -	FOR: -	JOB NAME: SPI CONDOS	DETAILER: BCS
DATE: -	FOR: -	EMAIL: dpc@stacycpl.com	
DATE: -	FOR: -	LOCATION: SOUTH PADRE ISLAND, TX	PHONE: 281-659-5864
DATE: -	FOR: -	DESCRIPTION: SLAB ON GRADE REINFORCEMENT DETAILS UNIT 06-10	

R5.004