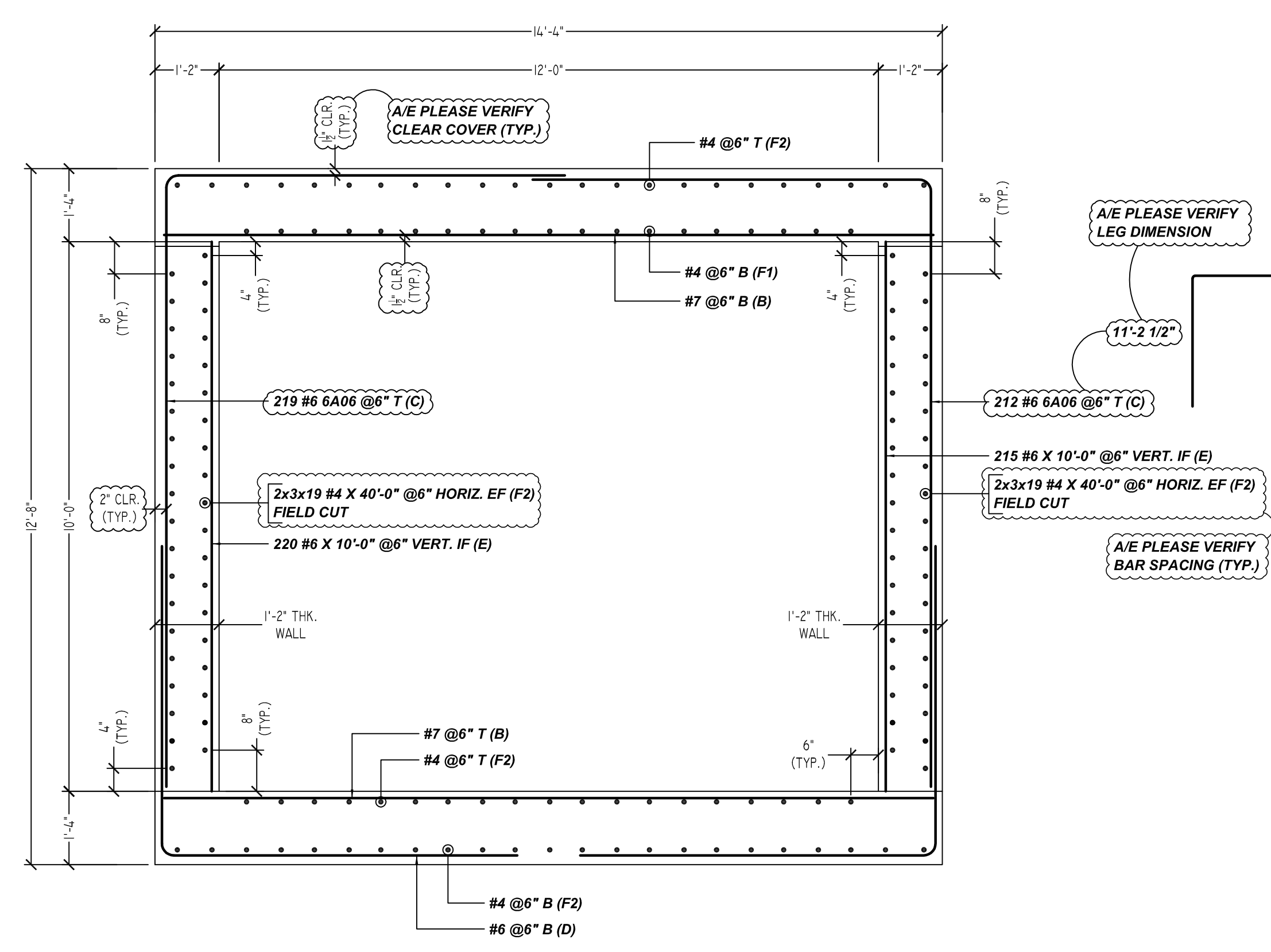
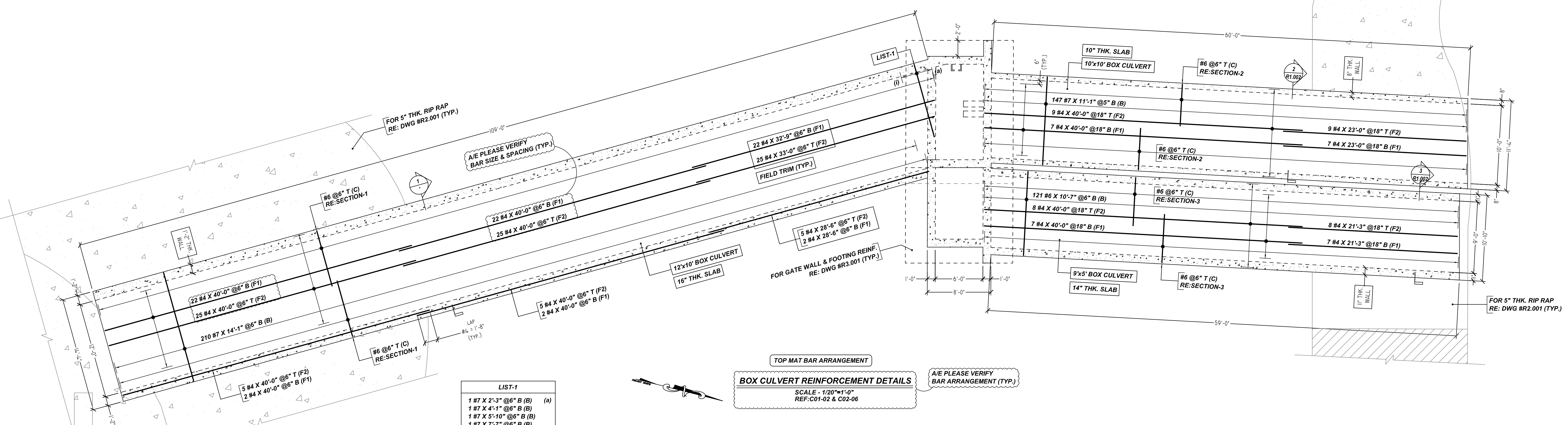


BOX CULVERT DETAILS
SCALE - 1/20"=1'-0"
REF: C01-02 & C02-06



SECTION 1
SCALE - 1/2"=1'-0"
REF: C02-10
A/E PLEASE VERIFY SECTION & BAR ARRANGEMENT



LIST-1

- 1 #7 X 2'-3" @ 6" B (B) (a)
- 1 #7 X 4'-1" @ 6" B (B)
- 1 #7 X 5'-10" @ 6" B (B)
- 1 #7 X 7'-7" @ 6" B (B)
- 1 #7 X 9'-5" @ 6" B (B)
- 1 #7 X 11'-2" @ 6" B (B)
- 1 #7 X 11'-11" @ 6" B (B)
- 1 #7 X 11'-9" @ 6" B (B)
- 1 #7 X 12'-10" @ 6" B (B) (i)

TYPICAL REINFORCING BAR CLEARANCE TABLE

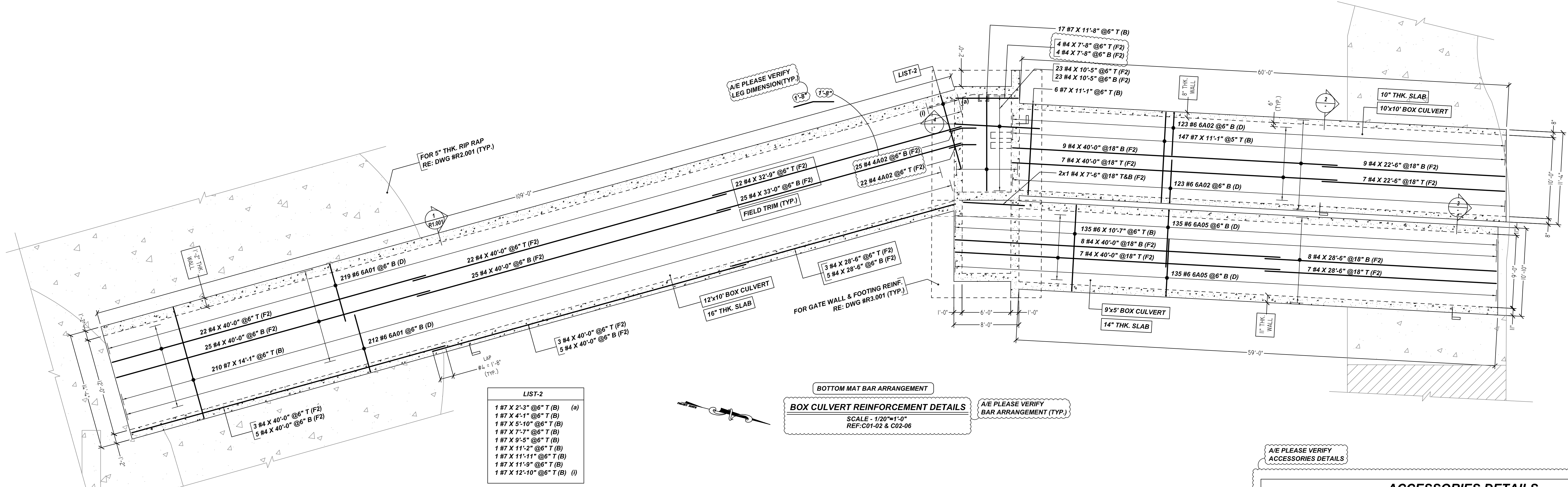
LOCATION	MIN. COVER
SLAB TOP MAT (TOP & BOTTOM)	1 1/2" CLR
SLAB BOT. MAT (TOP & BOTTOM)	1 1/2" CLR
SLAB EDGE	2" CLR
WALL	2" CLR

LAP SCHEDULE

SIZE	LAP
#4	20" MIN.
#5	26" MIN.
#6	30" MIN.

**ALL BARS IN THIS DRAWING
ASTM A615 GRADE 60
BLACK UNCOATED**

SUBMITTAL RECORD		PROJECT INFORMATION		DRAWING
DATE: 11/03/2021	FOR: APPROVAL	CUSTOMER: CASTLE ENTERPRISES, LLC	JOB #: 5087	R1.001
DATE: -	FOR: -	JOB NAME: MESLACO DRAIN	DETAILER: BCS	
DATE: -	FOR: -	LOCATION: MESLACO, TX	EMAIL: dperz@capcityctd.com	
DATE: -	FOR: -	PHONE: 281-659-5864		
DATE: -	FOR: -	DESCRIPTION: BOX CULVERT REINFORCEMENT DETAILS		



LIST-2

- 1 #7 X 2'-3" @6" T (B) (a)
- 1 #7 X 4'-1" @6" T (B)
- 1 #7 X 5'-10" @6" T (B)
- 1 #7 X 7'-7" @6" T (B)
- 1 #7 X 9'-5" @6" T (B)
- 1 #7 X 11'-2" @6" T (B)
- 1 #7 X 11'-11" @6" T (B)
- 1 #7 X 11'-9" @6" T (B)
- 1 #7 X 12'-10" @6" T (B) (i)

TYPICAL REINFORCING BAR CLEARANCE TABLE

LOCATION	MIN. COVER
SLAB TOP MAT (TOP & BOTTOM)	1 1/2" CLR
SLAB BOT. MAT (TOP & BOTTOM)	1 1/2" CLR
SLAB EDGE	2" CLR
WALL	2" CLR

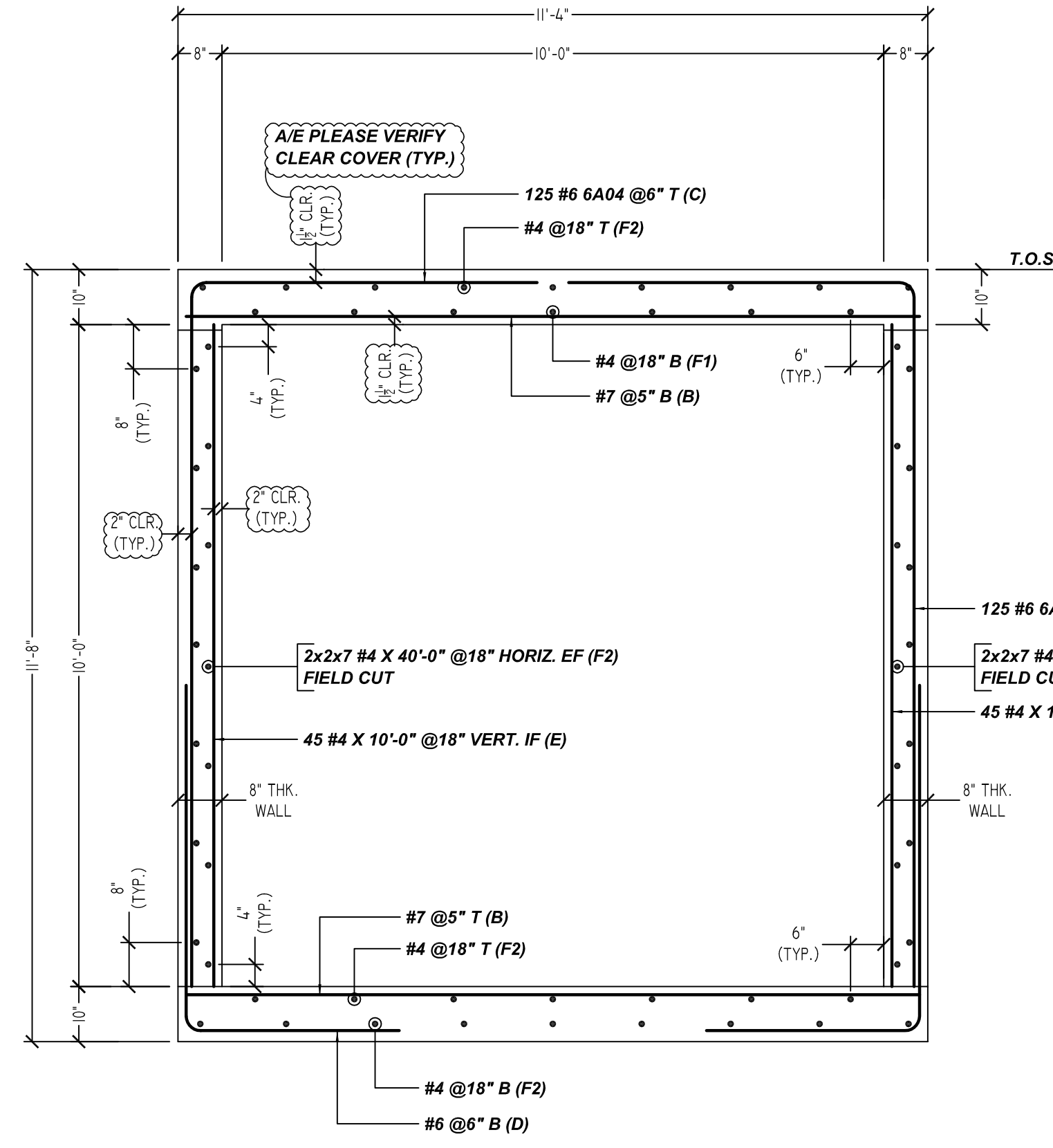
LAP SCHEDULE

SIZE	LAP
#4	20" MIN.
#5	26" MIN.
#6	30" MIN.

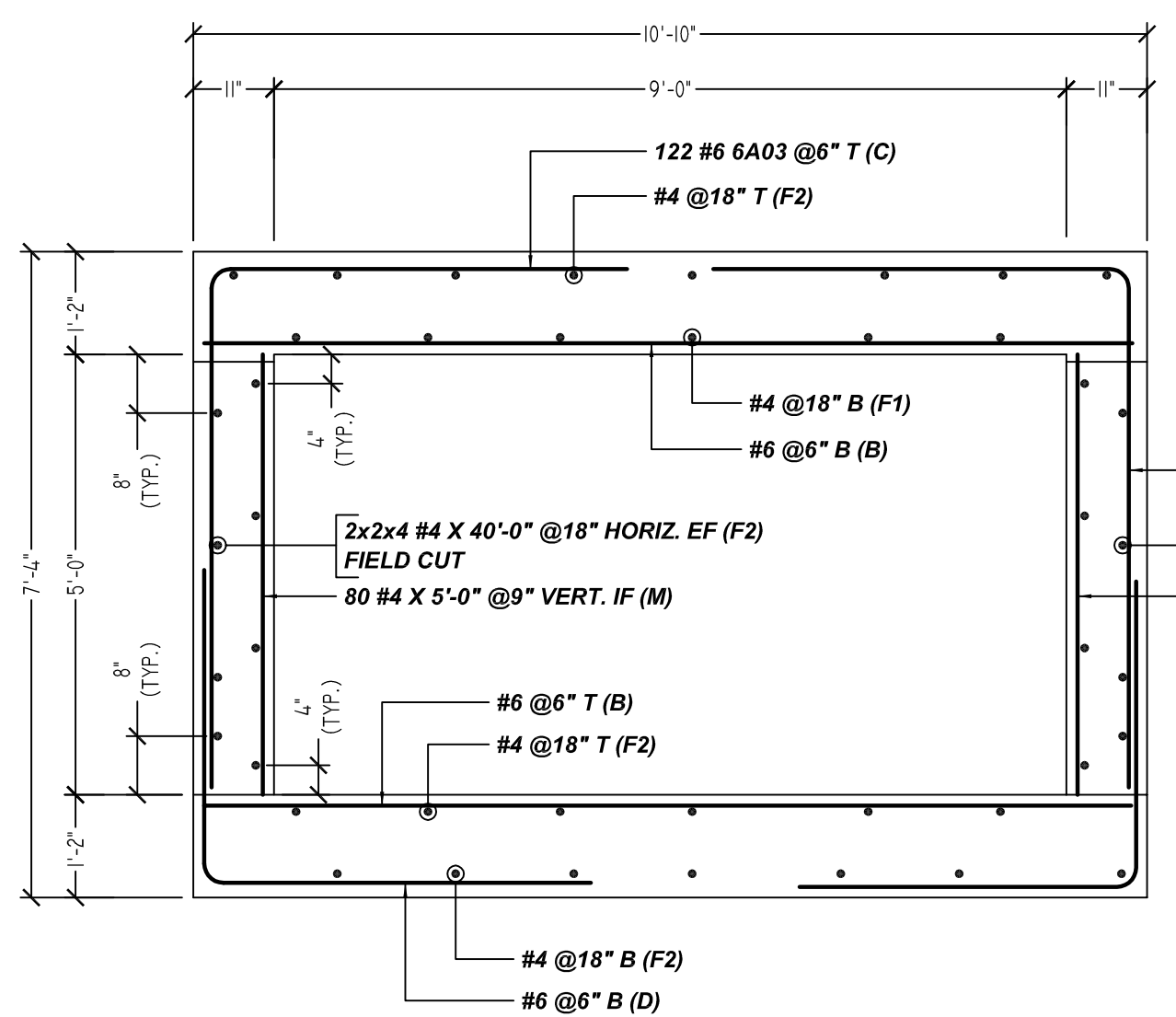
**ALL BARS IN THIS DRAWING
ASTM A615 GRADE 60
BLACK UNCOATED**

ACCESSORIES DETAILS

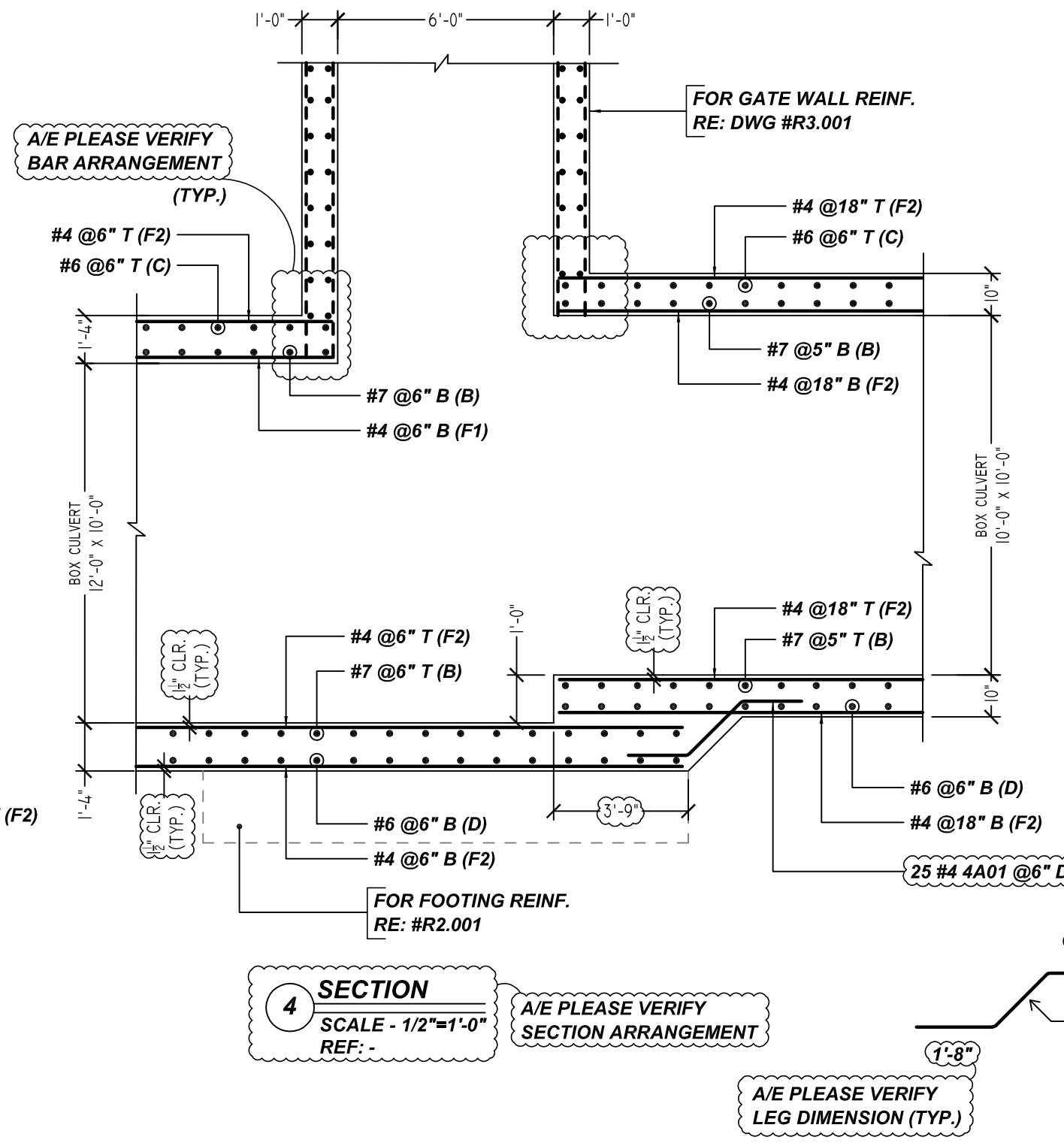
S. NO	ELEMENT	DESCRIPTION	PCS	LFT	REMARK
1	16" THK SLAB (TOP. MAT)	13 1/4" IHC @T	105	1555	FOR BAR SUPPORT (@ TOP)
2	16" THK SLAB (TOP. MAT)	1 1/2" BAR CHAIR @B	105	1555	FOR BAR SUPPORT (@ TOP)
3	16" THK SLAB (BOT. MAT)	13 1/4" IHC @T	105	1555	FOR BAR SUPPORT (@ BOTTOM)
4	16" THK SLAB (BOT. MAT)	1 1/2" BAR CHAIR @B	105	1555	FOR BAR SUPPORT (@ BOTTOM)
5	14" THK SLAB (TOP. MAT)	11 1/4" IHC @T	50	700	FOR BAR SUPPORT (@ TOP)
6	14" THK SLAB (TOP. MAT)	1 1/2" BAR CHAIR @B	50	700	FOR BAR SUPPORT (@ TOP)
7	14" THK SLAB (BOT. MAT)	11 1/4" IHC @T	50	700	FOR BAR SUPPORT (@ BOTTOM)
8	14" THK SLAB (BOT. MAT)	1 1/2" BAR CHAIR @B	50	700	FOR BAR SUPPORT (@ BOTTOM)
9	10" THK SLAB (TOP. MAT)	7 1/4" IHC @T	45	650	FOR BAR SUPPORT (@ TOP)
10	10" THK SLAB (TOP. MAT)	1 1/2" BAR CHAIR @B	45	650	FOR BAR SUPPORT (@ TOP)
11	10" THK SLAB (BOT. MAT)	7 1/4" IHC @T	45	650	FOR BAR SUPPORT (@ BOTTOM)
12	10" THK SLAB (BOT. MAT)	1 1/2" BAR CHAIR @B	45	650	FOR BAR SUPPORT (@ BOTTOM)



SECTION 2
SCALE - 1/2"=1'-0"
REF: SCC-10
A/E PLEASE VERIFY SECTION & BAR ARRANGEMENT (TYP.)



SECTION 3
SCALE - 1/2"=1'-0"
REF: SCC-9



SECTION 4
SCALE - 1/2"=1'-0"
REF: ...
A/E PLEASE VERIFY SECTION ARRANGEMENT (TYP.)

SUBMITTAL RECORD		PROJECT INFORMATION		DRAWING
DATE: 11/03/2021	FOR: FOR APPROVAL	CUSTOMER: CASTLE ENTERPRISES, LLC	JOB #: 5287	R1.002
DATE: -	FOR: -	JOB NAME: MESLACO DRAIN	DETAILER: BCS	
DATE: -	FOR: -	LOCATION: MESLACO, TX	EMAIL: gper@spacuityctd.com	
DATE: -	FOR: -	PHONE: 281-659-5864		
DATE: -	FOR: -	DESCRIPTION: BOX CULVERT REINFORCEMENT DETAILS		