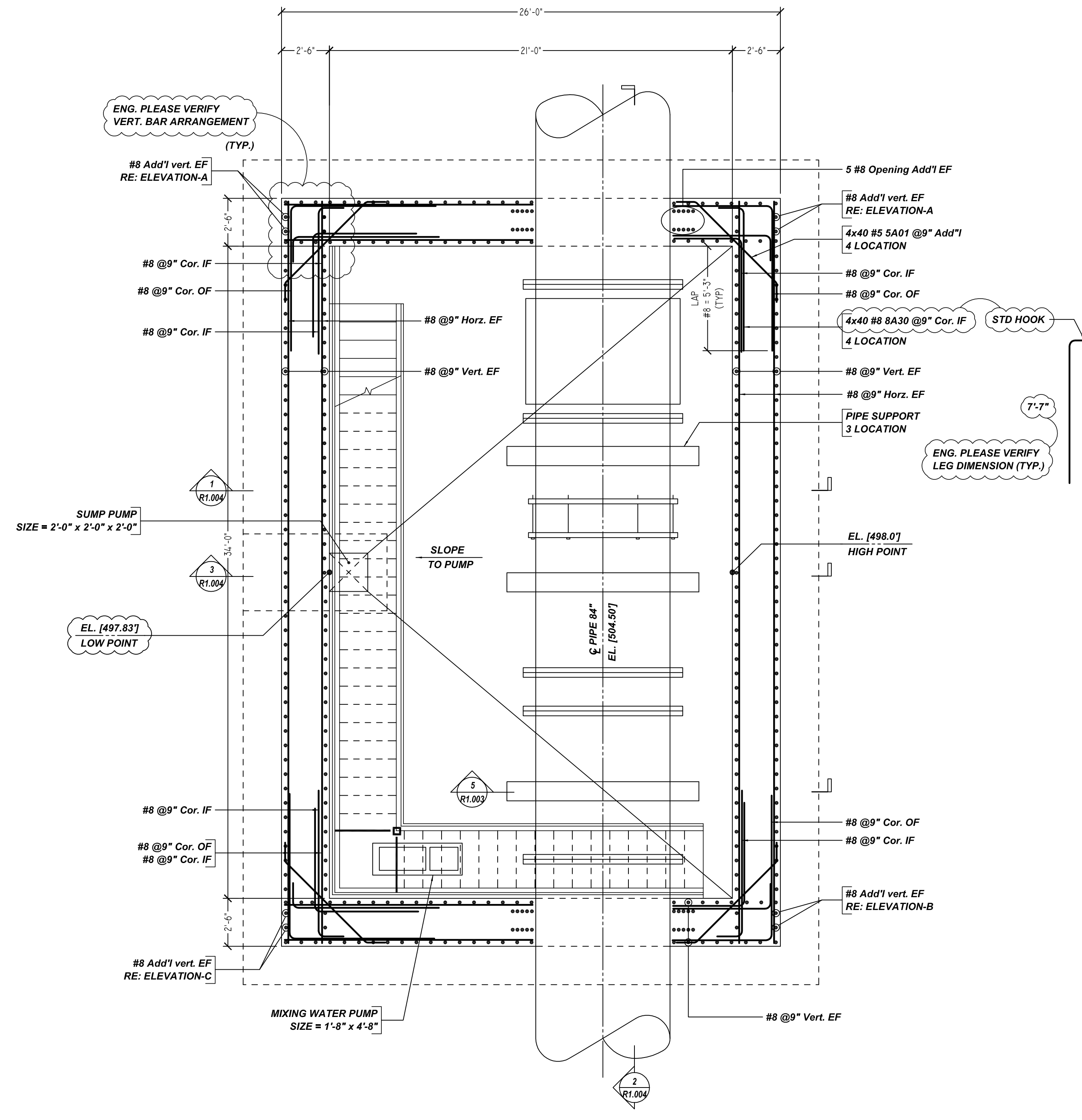


(MAT TOP & BOTTOM BAR ARRANGEMENT)

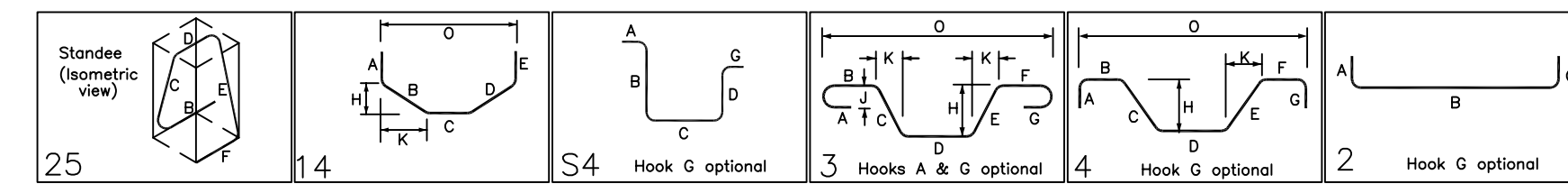


(WALL CORNER BAR ARRANGEMENT)

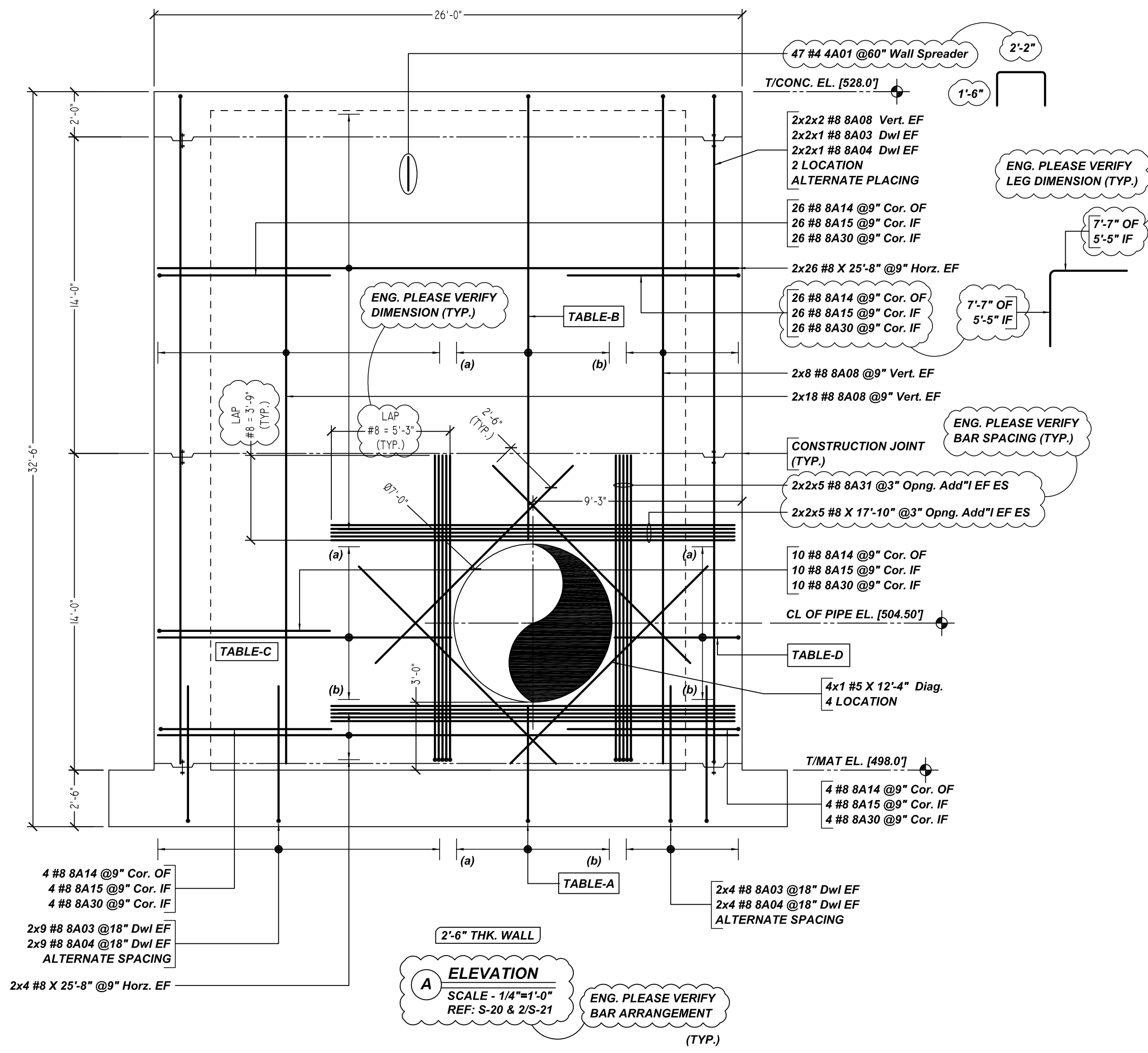
96" EFFLUENT METER VAULT FOUNDATION REINFORCEMENT DETAILS

SCALE - 1/4"=1'-0"
REF:S-20

Bar Mark	Qty	Size	Total Length	Type	X	Y	Z	W	V	U	T	S	R	Q	P	O	N	M	L	K	J	I	H	G	F	E	D	C	B	A	
4A02	90	#4	7'-3"	25		1'-6"	1'-9"	0'-8"	1'-9"	1'-6"																					
5A01	160	#5	7'-11"	14	1'-0"	5'-11"	1'-0"																								
5A02	6	#5	11'-6"	54	2'-8"	1'-10"	2'-5"	1'-10"																							
7A01	11	#7	14'-1"	3	3'-6"	1'-5"	3'-9"	1'-8"	3'-6"																						
7A02	6	#7	13'-2"	4	1'-2"	7'-1"	1'-5"	3'-6"																							
8A12	2	#8	5'-4"	2	1'-4"	4'-0"																									
8A30	160	#8	8'-11"	2	1'-4"	7'-7"																									



SUBMITTAL RECORD		PROJECT INFORMATION		DRAWING
DATE: 09/29/21	FOR: APPROVAL	CUSTOMER: WWH CONSTRUCTORS	JOB #: 543	
DATE: -	FOR: -	JOB NAME: WULF WTP IMPROVEMENTS	DETAILER: BCS	
DATE: -	FOR: -	LOCATION: WULF, TX	PHONE: -	
DATE: -	FOR: -	DESCRIPTION: 96" EFFLUENT METER VAULT FOUNDATION & WALL REINFORCEMENT DETAILS		
DATE: -	FOR: -			
DATE: -	FOR: -			

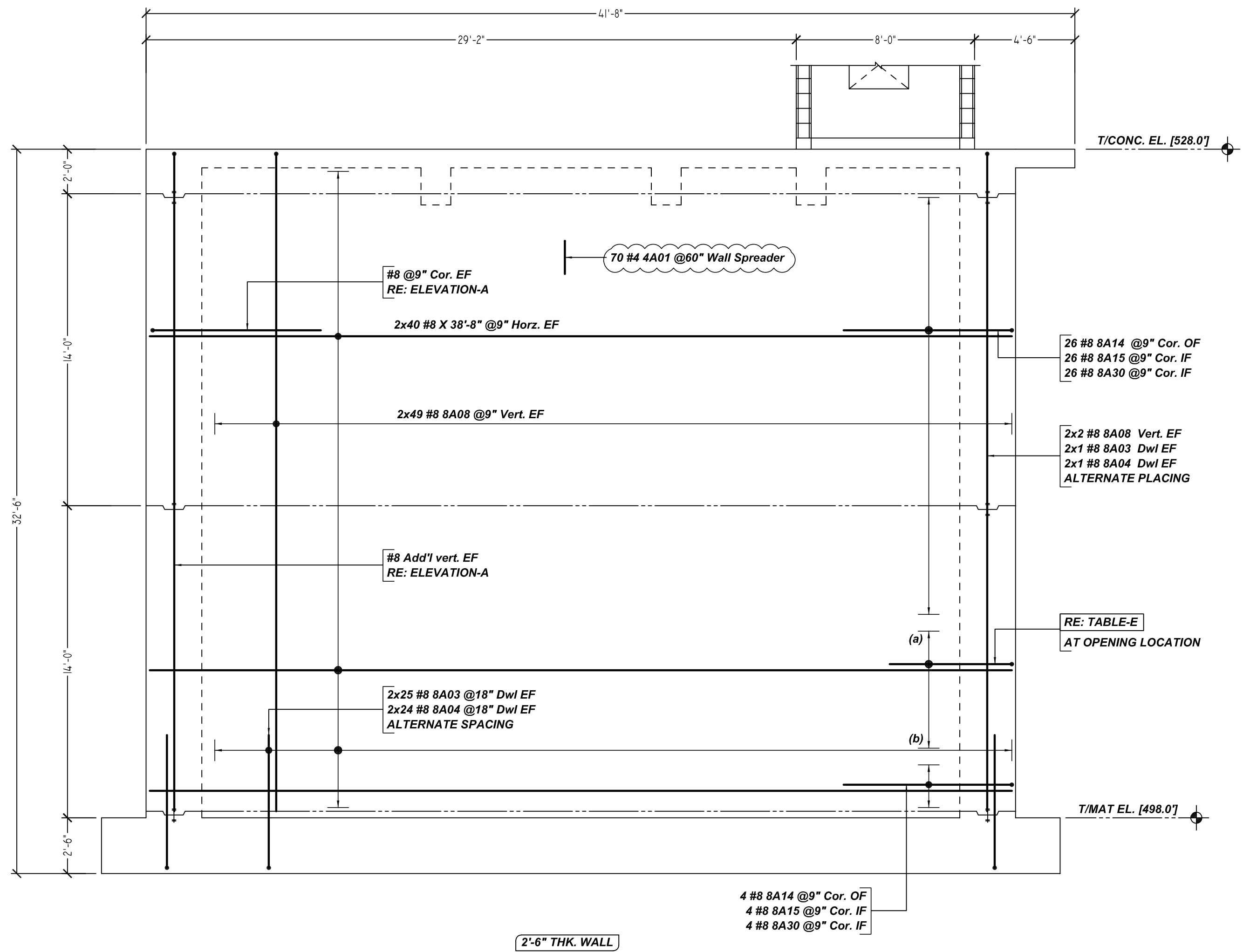


A ELEVATION
SCALE - 1/4"=1'-0"
REF: S-20 & 2/S-21
ENG. PLEASE VERIFY BAR ARRANGEMENT (TYP.)

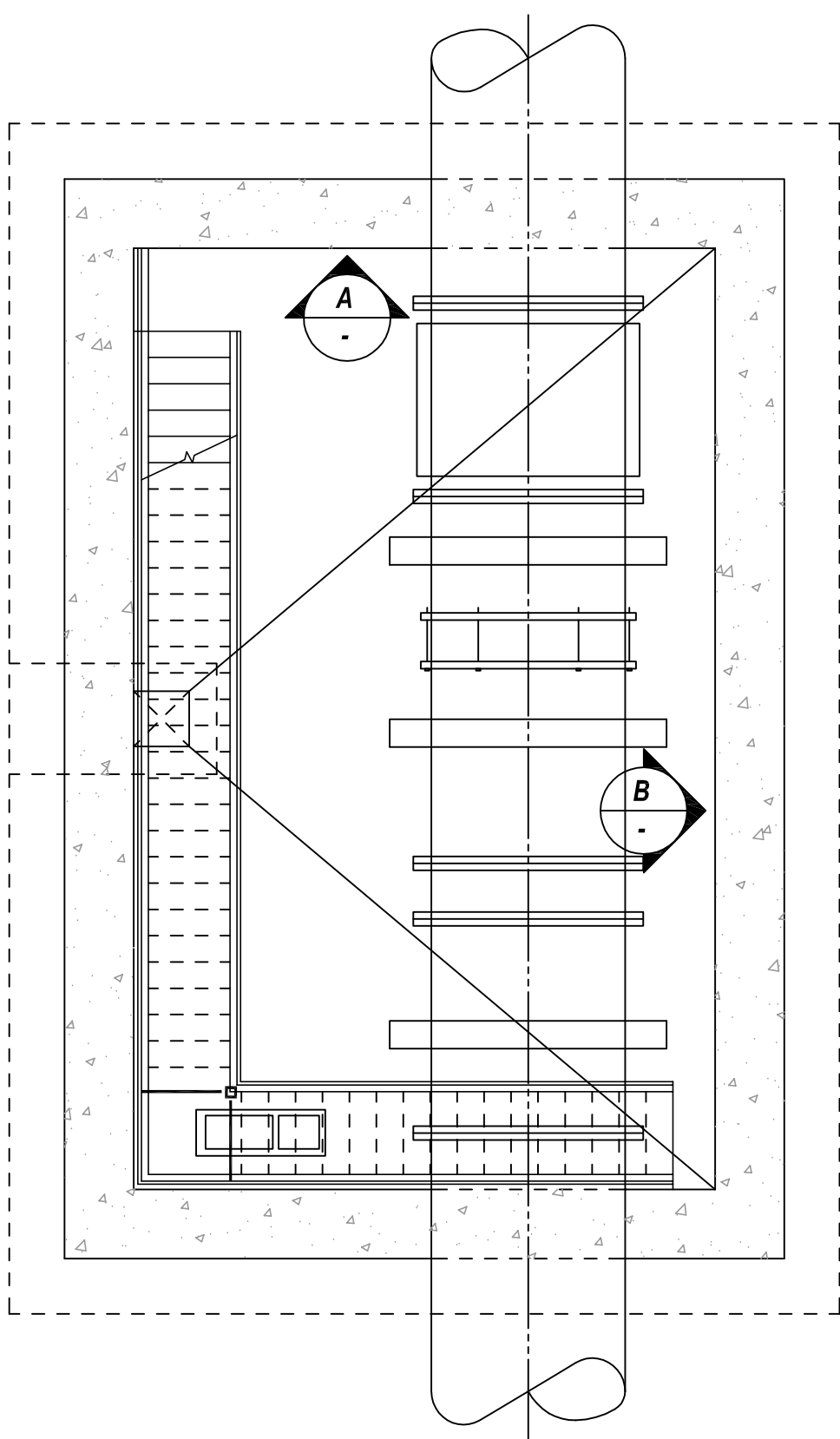
TABLE-A	TABLE-B
2x1 #8 8A01 @9" D/V EF (a)	2x1 #8 8A09 @9" Vert. EF (a)
2x1 #8 8A03 @9" D/V EF	2x1 #8 8A11 @9" Vert. EF
2x1 #8 8A05 @9" D/V EF	2x1 #8 8A12 @9" Vert. EF
2x1 #8 8A06 @9" D/V EF	2x2 #8 8A13 @9" Vert. EF
2x2 #8 8A07 @9" D/V EF	2x1 #8 8A14 @9" Vert. EF
2x1 #8 8A08 @9" D/V EF	2x1 #8 8A11 @9" Vert. EF
2x1 #8 8A03 @9" D/V EF	2x1 #8 8A10 @9" Vert. EF
2x1 #8 8A01 @9" D/V EF (b)	2x1 #8 8A09 @9" Vert. EF (b)

TABLE-C
2x1 #8 15'-1" @9" Horz. EF (a)
2x1 #8 14'-0" @9" Horz. EF
2x1 #8 13'-5" @9" Horz. EF
2x2 #8 12'-11" @9" Horz. EF
2x1 #8 13'-1" @9" Horz. EF
2x1 #8 13'-5" @9" Horz. EF
2x1 #8 14'-0" @9" Horz. EF
2x1 #8 15'-1" @9" Horz. EF (b)

TABLE-D	TABLE-E
1 #8 8A16 @9" Cor. OF (a)	2 #8 8A24 @9" Cor. OF
1 #8 8A17 @9" Cor. IF	2 #8 8A25 @9" Cor. IF
1 #8 8A26 @9" Cor. IF	1 #8 8A18 @9" Cor. OF
1 #8 8A18 @9" Cor. OF	1 #8 8A19 @9" Cor. OF
1 #8 8A19 @9" Cor. IF	1 #8 8A23 @9" Cor. IF
1 #8 8A27 @9" Cor. IF	1 #8 8A17 @9" Cor. IF
1 #8 8A20 @9" Cor. OF	1 #8 8A29 @9" Cor. OF
1 #8 8A21 @9" Cor. IF	1 #8 8A20 @9" Cor. OF
1 #8 8A28 @9" Cor. IF	1 #8 8A21 @9" Cor. IF
1 #8 8A22 @9" Cor. OF	1 #8 8A28 @9" Cor. OF
1 #8 8A23 @9" Cor. IF	
1 #8 8A29 @9" Cor. IF	



B ELEVATION
SCALE - 1/4"=1'-0"
REF: S-20 & 1/S-21



KEY PLAN
SCALE - 1/8"=1'-0"
REF: S-20

Release Number: R1.002		BENDING DETAILS											
Bar Mark	Qty	Size	Total Length	Type	X	Y	Z	Y'	Y''	Y'''	Y''''	Y'''''	Y''''''
8A01	117	#4	5'-2"	17									
8A02	4	#6	8'-5"	2	1'-4"			1'-5"		2'-2"	1'-5"		
8A03	88	#6	7'-4"	2	1'-4"			6'-0"					
8A04	80	#6	9'-4"	2	1'-4"			8'-0"					
8A05	8	#8	6'-9"	2	1'-4"			5'-5"					
8A06	4	#8	6'-5"	2	1'-4"			5'-1"					
8A07	4	#8	6'-3"	2	1'-4"			4'-11"					
8A08	162	#6	30'-10"	2	1'-4"			29'-4"					
8A09	4	#8	23'-2"	2	1'-4"			21'-10"					
8A10	4	#8	22'-1"	2	1'-4"			20'-9"					
8A11	4	#8	21'-6"	2	1'-4"			20'-2"					
8A12	4	#8	21'-2"	2	1'-4"			19'-10"					
8A13	4	#8	21'-0"	2	1'-4"			19'-8"					
8A14	100	#6	15'-2"	17				7'-7"					
8A15	100	#6	10'-10"	17				5'-5"					
8A16	4	#8	15'-2"	17				7'-7"		7'-3"			
8A17	4	#8	10'-10"	17				5'-5"		5'-5"			
8A18	4	#8	14'-1"	17				7'-7"		6'-6"			
8A19	4	#8	9'-9"	17				5'-5"		4'-4"			
8A20	4	#8	15'-6"	17				7'-7"		5'-11"			
8A21	4	#8	9'-2"	17				5'-5"		3'-9"			
8A22	4	#8	13'-2"	17				7'-7"		5'-7"			
8A23	4	#8	8'-10"	17				5'-5"		3'-5"			
8A24	4	#8	13'-0"	17				7'-7"		5'-5"			
8A25	4	#8	8'-8"	17				5'-5"		3'-3"			
8A26	4	#8	8'-11"	2	1'-4"			7'-7"					
8A27	4	#8	7'-10"	2	1'-4"			6'-8"					
8A28	4	#8	7'-3"	2	1'-4"			5'-11"					
8A29	4	#8	6'-11"	2	1'-4"			5'-7"					
8A30	100	#6	8'-11"	2	1'-4"			7'-7"					
8A31	20	#8	14'-10"	2	1'-4"			13'-6"					

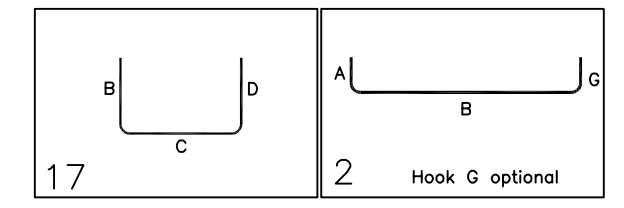
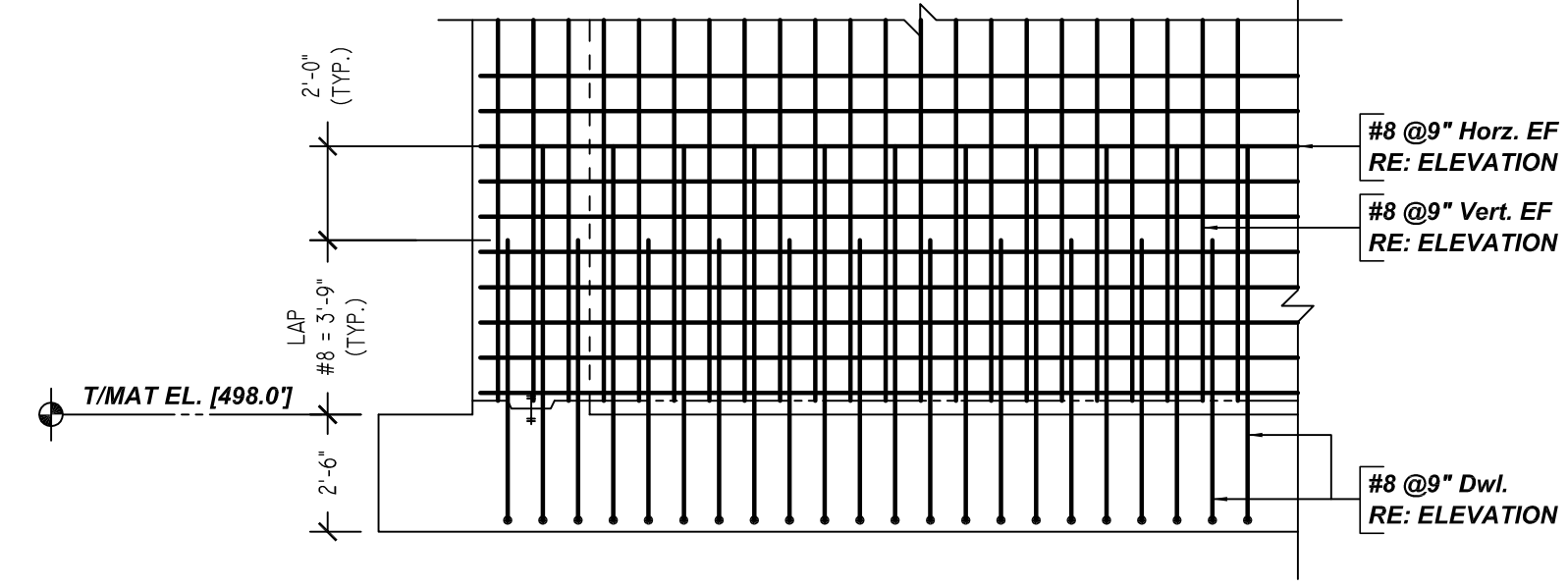
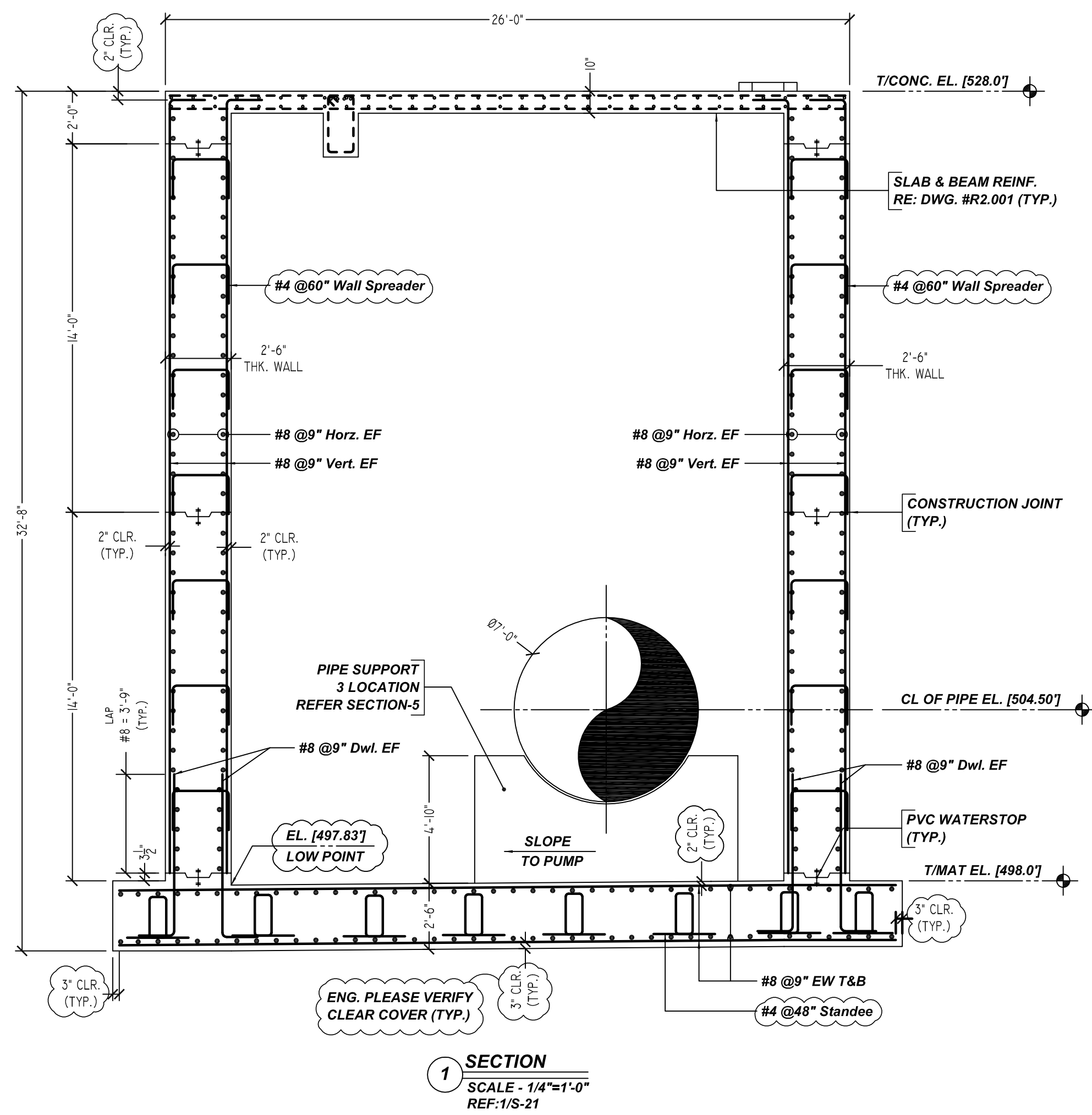


TABLE-E		
1 #8 8A16 @9" Cor. OF (a)	2 #8 8A24 @9" Cor. OF	1 #8 8A18 @9" Cor. OF
1 #8 8A17 @9" Cor. IF	2 #8 8A25 @9" Cor. IF	1 #8 8A19 @9" Cor. OF
1 #8 8A26 @9" Cor. IF	2 #8 8A05 @9" Cor. IF	1 #8 8A27 @9" Cor. OF
1 #8 8A18 @9" Cor. OF	1 #8 8A22 @9" Cor. OF	1 #8 8A16 @9" Cor. OF
1 #8 8A19 @9" Cor. IF	1 #8 8A23 @9" Cor. IF	1 #8 8A17 @9" Cor. IF
1 #8 8A27 @9" Cor. IF	1 #8 8A29 @9" Cor. OF	1 #8 8A26 @9" Cor. IF (b)
1 #8 8A20 @9" Cor. OF	1 #8 8A20 @9" Cor. OF	
1 #8 8A21 @9" Cor. IF	1 #8 8A21 @9" Cor. IF	
1 #8 8A28 @9" Cor. IF	1 #8 8A28 @9" Cor. OF	
1 #8 8A22 @9" Cor. OF		
1 #8 8A23 @9" Cor. IF		
1 #8 8A29 @9" Cor. IF		

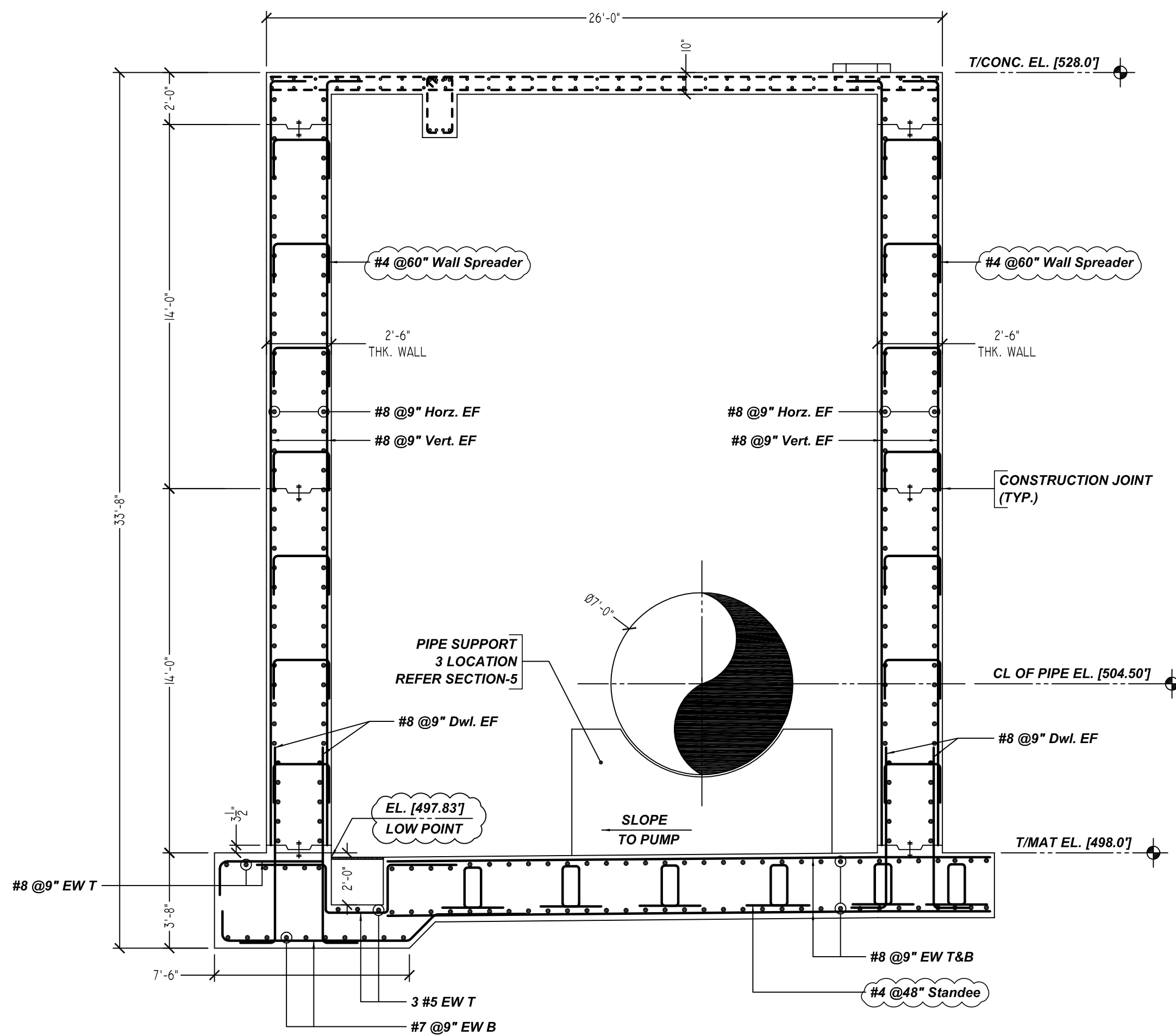


TYPICAL WALL DWL BAR ARRANGEMENT
SCALE - 1/4"=1'-0"
REF: 6/S-24

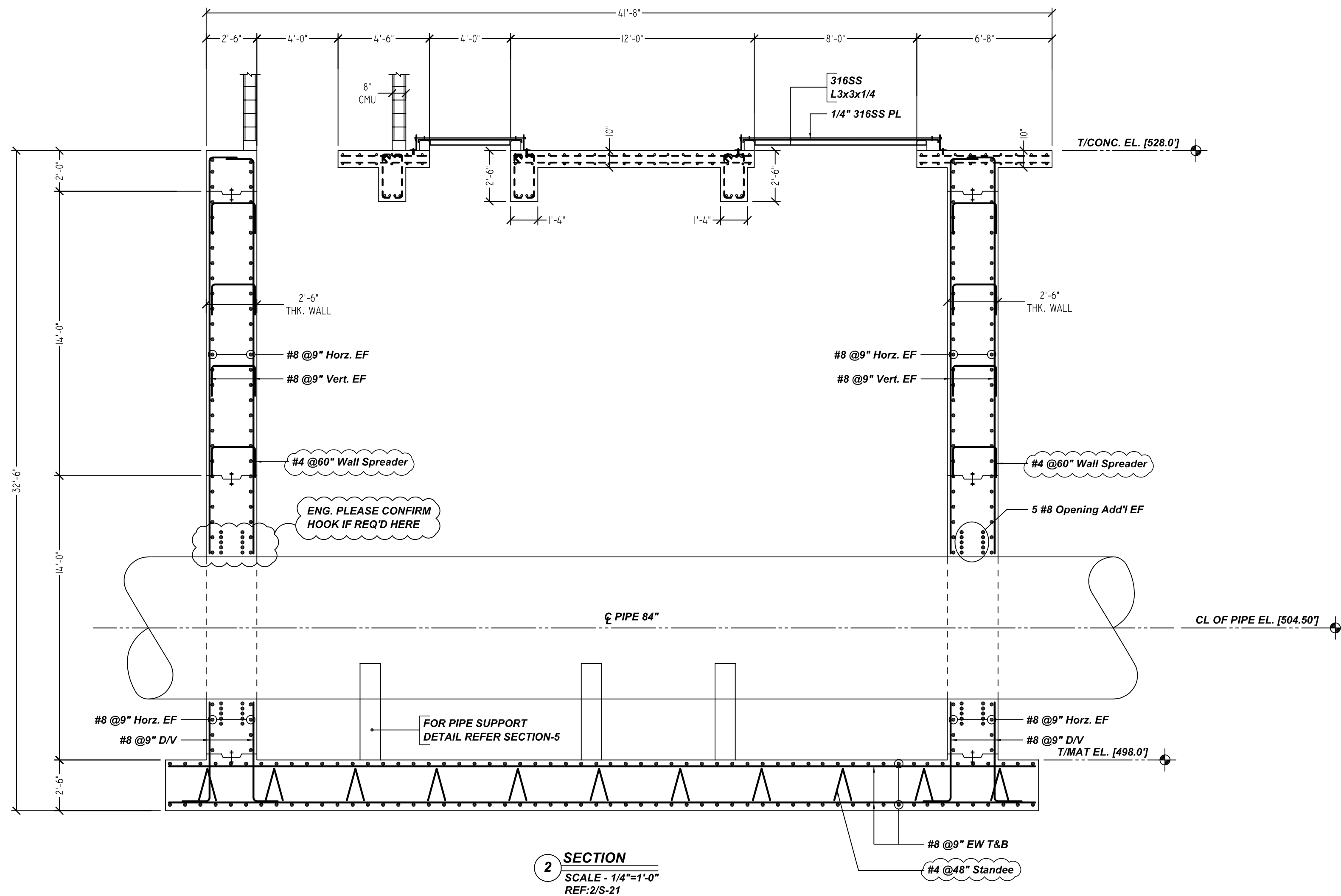
SUBMITTAL RECORD		PROJECT INFORMATION		DRAWING
DATE: 09/20/21	FOR: APPROVAL	CUSTOMER: WWH CONSTRUCTORS	JOB #: 543	R1.002
DATE: -	FOR: -	JOB NAME: WULF WTP IMPROVEMENTS	DETAILER: BCS	
DATE: -	FOR: -	LOCATION: WULF, TX	EMAIL: -	
DATE: -	FOR: -	DESCRIPTION: 96" EFFLUENT METER VAULT FOUNDATION & WALL REINFORCEMENT DETAILS	PHONE: -	
DATE: -	FOR: -			



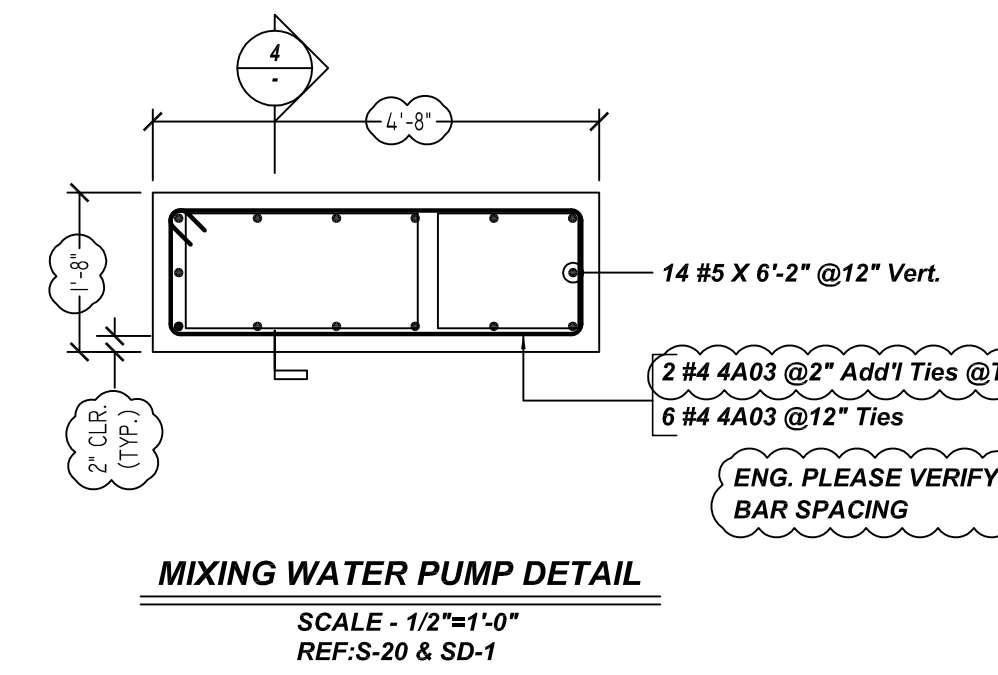
1 SECTION
SCALE - 1/4"=1'-0"
REF: 1/S-21



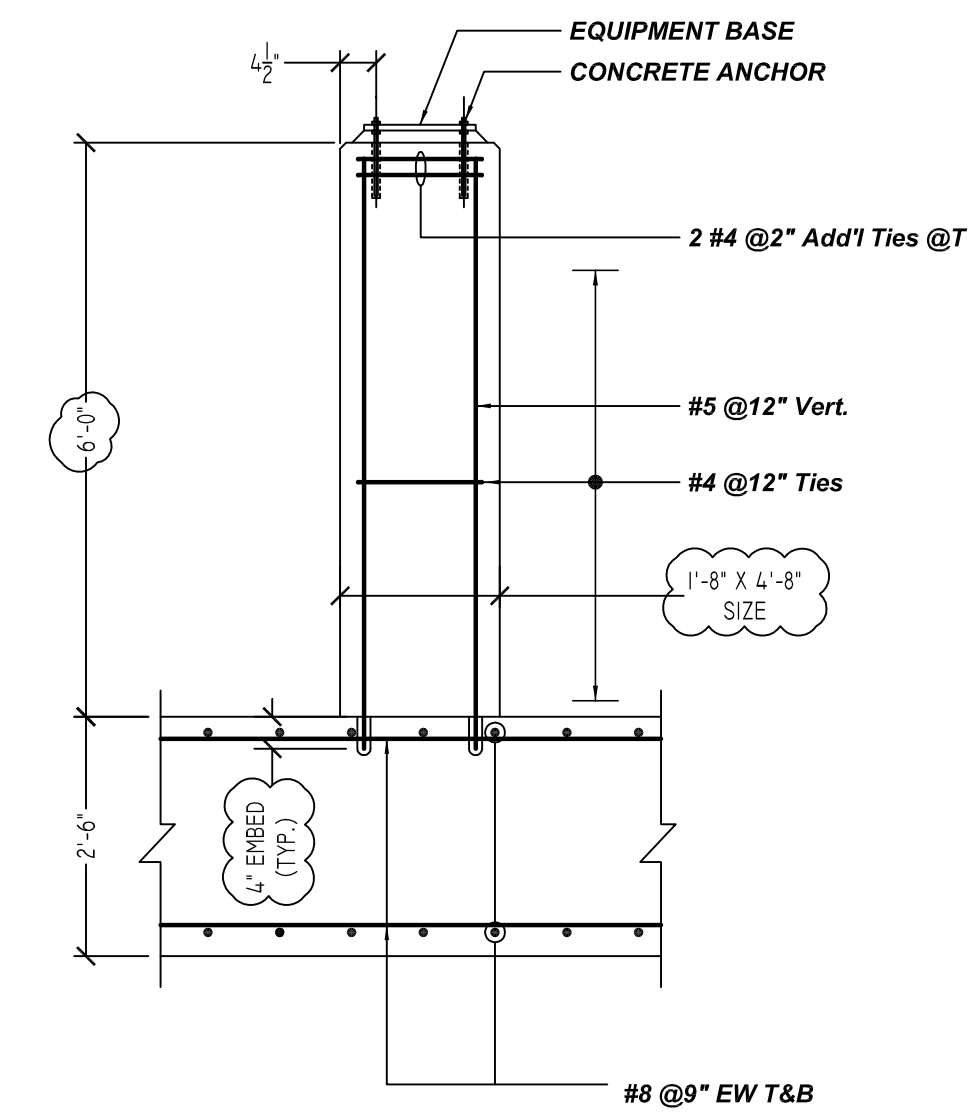
3 SECTION
SCALE - 1/4"=1'-0"
REF: 1/S-21



2 SECTION
SCALE - 1/4"=1'-0"
REF: 2/S-21

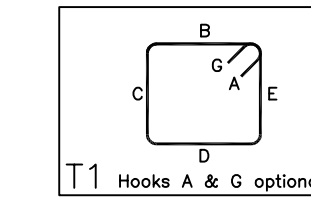


MIXING WATER PUMP DETAIL
SCALE - 1/2"=1'-0"
REF: S-20 & SD-1



4 SECTION
SCALE - 1/2"=1'-0"
REF: SD-1

Bar No.	Qty	Size	Total Length	Type	X	Y	Z	T	V	W	X	Y	Z	T	V	W
4A03	8	#4	12'-1"	T1	0'-4"	4'-4"	1'-4"	4'-4"	1'-4"	0'-4"						



ACCESSORIES DETAILS					
S. NO	ELEMENT	DESCRIPTION	PCS	SQ. FT/LFT	REMARK
1	2'-6" THK SLAB	3" IHC	100	1290 SQ. FT	FOR BAR SUPPORT (@ BOTTOM)

LAP SCHEDULE		
SIZE	TOP	OTHERS
#3	18"	16"
#4	25"	20"
#5	32"	24"
#6	40"	31"
#7	54"	42"
#8	63"	45"
#9	76"	54"
#10	84"	66"

ENG. PLEASE VERIFY LAP SCHEDULE

SUBMITTAL RECORD		PROJECT INFORMATION		DRAWING
DATE: 09/29/21	FOR: APPROVAL	CUSTOMER: WWH CONSTRUCTORS	JOB #: 543	
DATE: -	FOR: -	JOB NAME: WYLE WTP IMPROVEMENTS	DETAILER: BCS	
DATE: -	FOR: -	LOCATION: WYLE, TX	PHONE: -	
DATE: -	FOR: -	DESCRIPTION: 96" EFFLUENT METER VAULT FOUNDATION & WALL REINFORCEMENT DETAILS		

R1.004