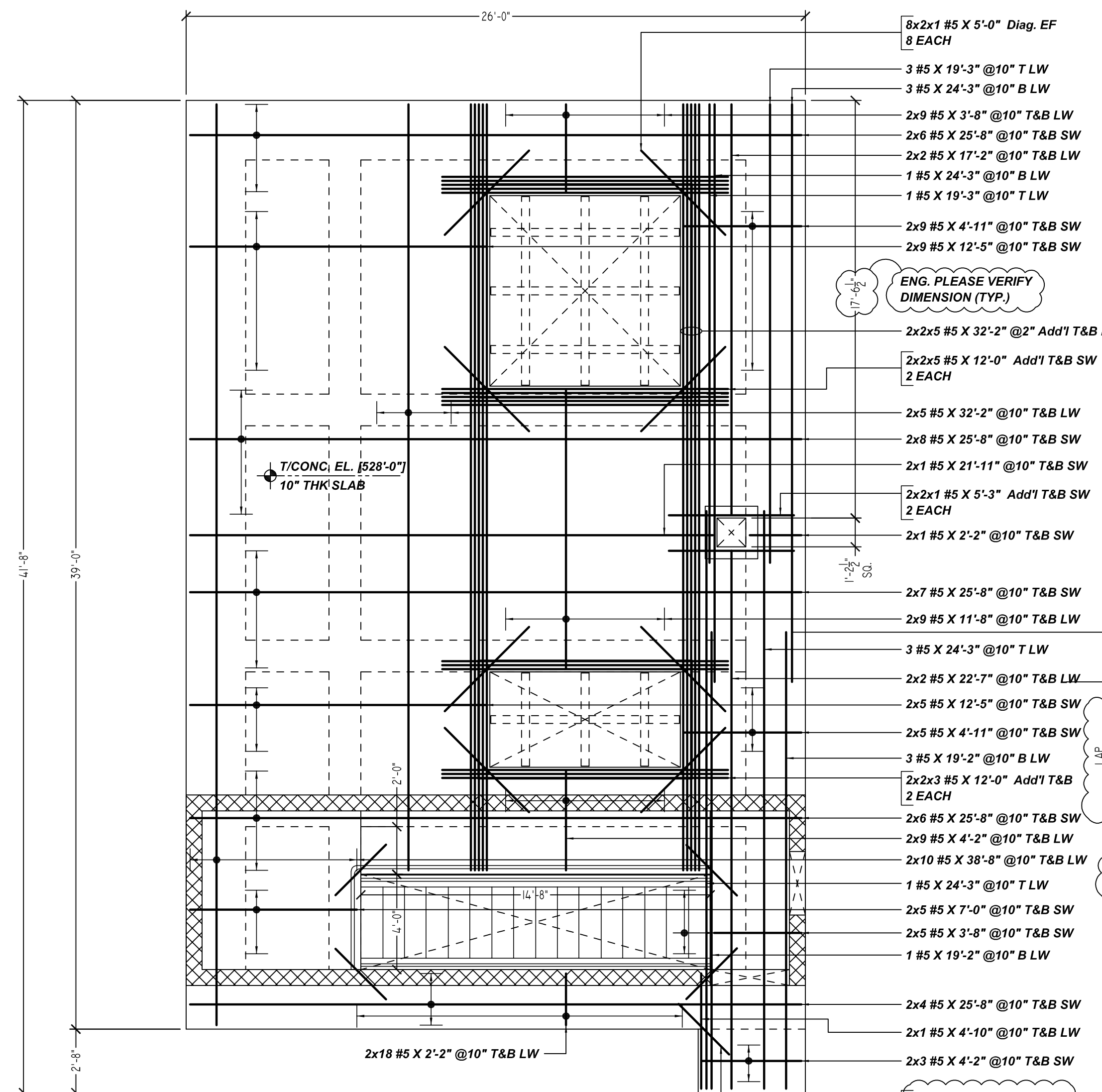


**96" EFFLUENT METER VAULT ROOF FOUNDATION LAYOUT**  
SCALE - 1/4"=1'-0"  
REF:S-20



**96" EFFLUENT METER VAULT ROOF SLAB REINFORCEMENT DETAILS**  
SCALE - 1/4"=1'-0"  
REF:S-20

- 8x2x1 #5 X 5'-0" Diag. EF  
8 EACH
- 3 #5 X 19'-3" @10" T LW
- 3 #5 X 24'-3" @10" B LW
- 2x9 #5 X 3'-8" @10" T&B LW
- 2x6 #5 X 25'-8" @10" T&B SW
- 2x2 #5 X 17'-2" @10" T&B LW
- 1 #5 X 24'-3" @10" B LW
- 1 #5 X 19'-3" @10" T LW
- 2x9 #5 X 4'-11" @10" T&B SW
- 2x9 #5 X 12'-5" @10" T&B SW
- 2x2x5 #5 X 32'-2" @2" Add'l T&B ES
- 2x2x5 #5 X 12'-0" Add'l T&B SW  
2 EACH
- 2x5 #5 X 32'-2" @10" T&B LW
- 2x8 #5 X 25'-8" @10" T&B SW
- 2x1 #5 X 21'-11" @10" T&B SW
- 2x2x1 #5 X 5'-3" Add'l T&B SW  
2 EACH
- 2x1 #5 X 2'-2" @10" T&B SW
- 2x7 #5 X 25'-8" @10" T&B SW
- 2x9 #5 X 11'-8" @10" T&B LW
- 3 #5 X 24'-3" @10" T LW
- 2x2 #5 X 22'-7" @10" T&B LW
- 2x5 #5 X 12'-5" @10" T&B SW
- 2x5 #5 X 4'-11" @10" T&B SW
- 3 #5 X 19'-2" @10" B LW
- 2x2x3 #5 X 12'-0" Add'l T&B  
2 EACH
- 2x6 #5 X 25'-8" @10" T&B SW
- 2x9 #5 X 4'-2" @10" T&B LW
- 2x10 #5 X 38'-8" @10" T&B LW
- 1 #5 X 24'-3" @10" T LW
- 2x5 #5 X 7'-0" @10" T&B SW
- 2x5 #5 X 3'-8" @10" T&B SW
- 1 #5 X 19'-2" @10" B LW
- 2x4 #5 X 25'-8" @10" T&B SW
- 2x1 #5 X 4'-10" @10" T&B LW
- 2x3 #5 X 4'-2" @10" T&B SW
- 5x2 #4 X 3'-0" RE-ENTRANT  
5 EACH

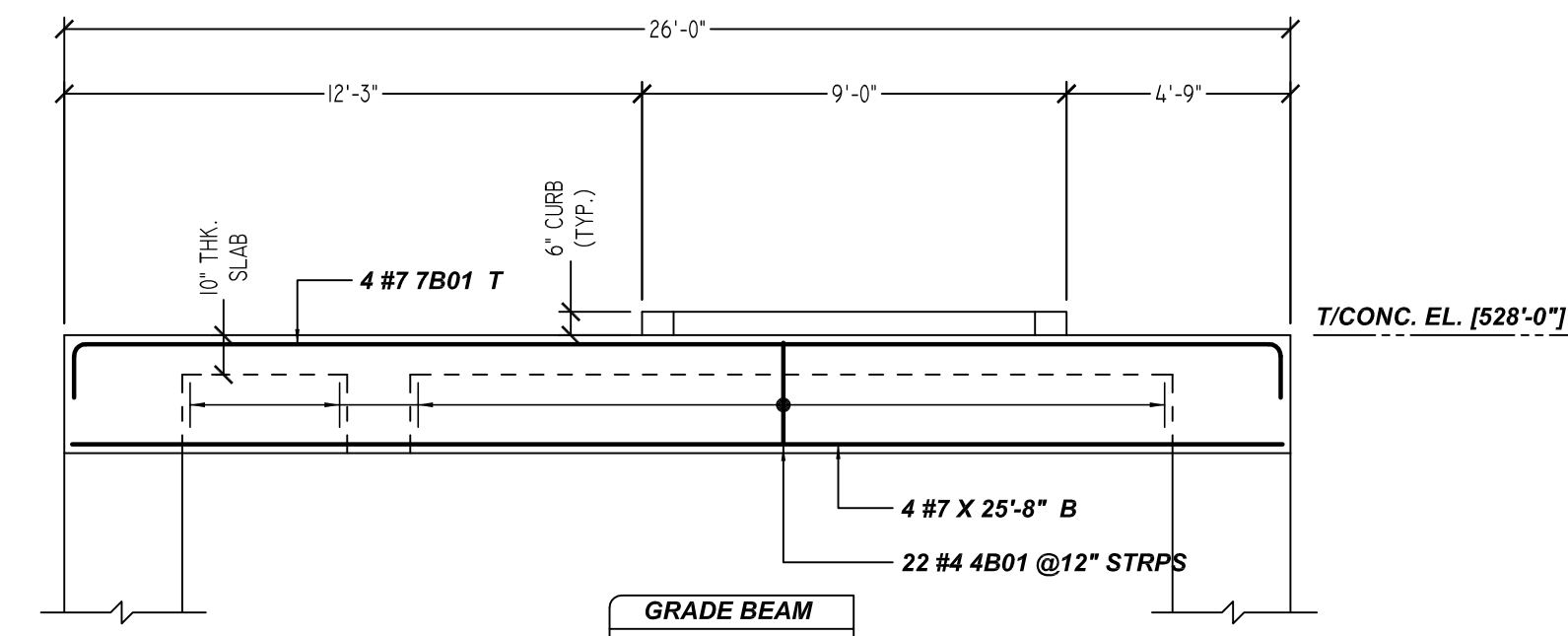
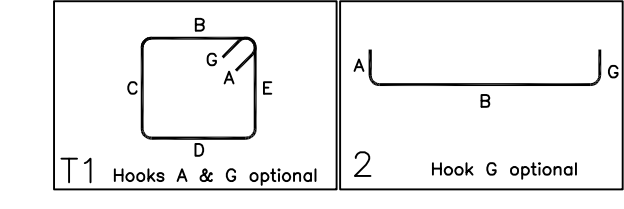
ENG. PLEASE VERIFY DIMENSION (TYP.)

ENG. PLEASE VERIFY LAP DIMENSION (TYP.)

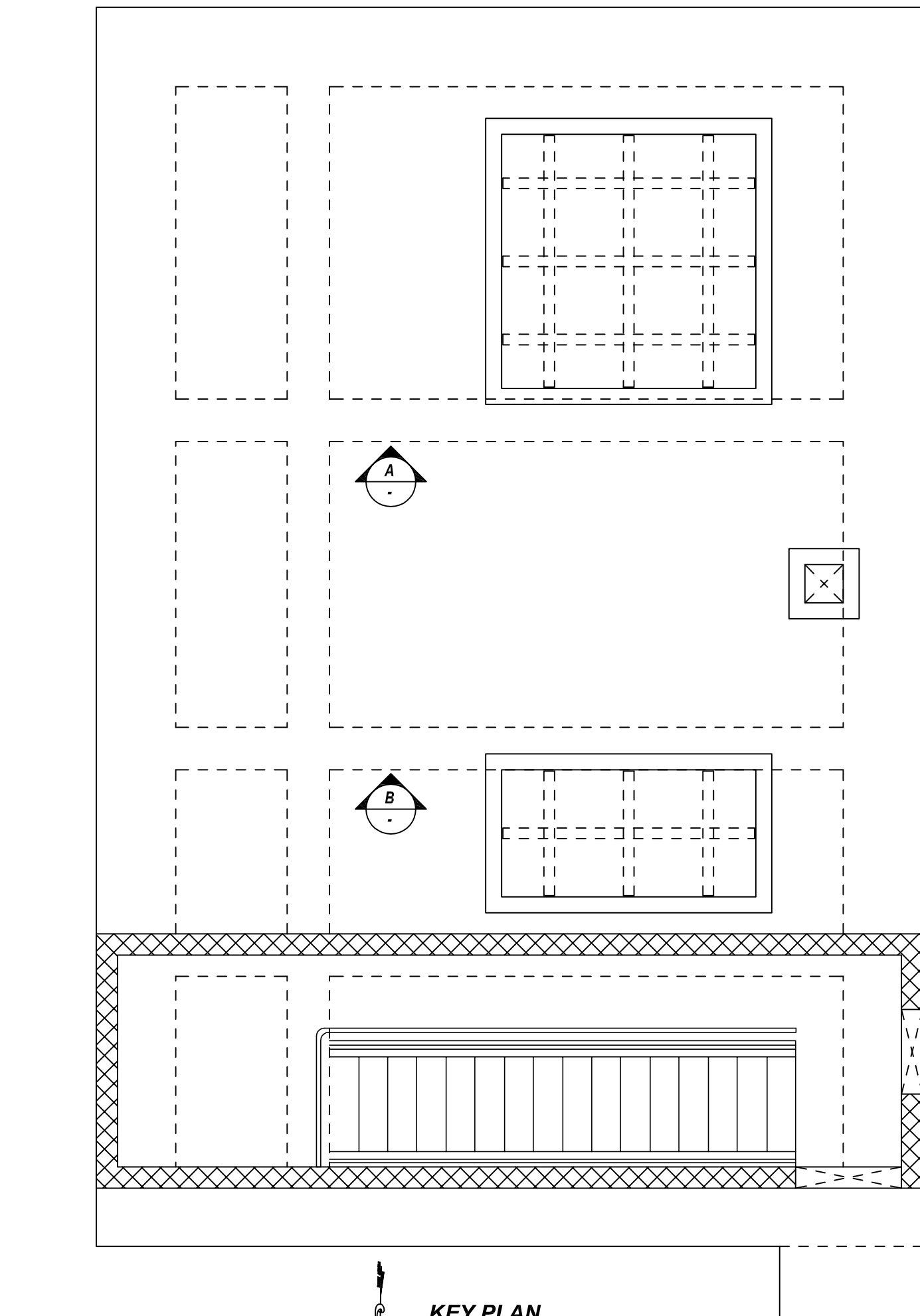
ENG. PLEASE VERIFY BAR ARRANGEMENT (TYP.)

ENG. PLEASE VERIFY BAR LENGTH

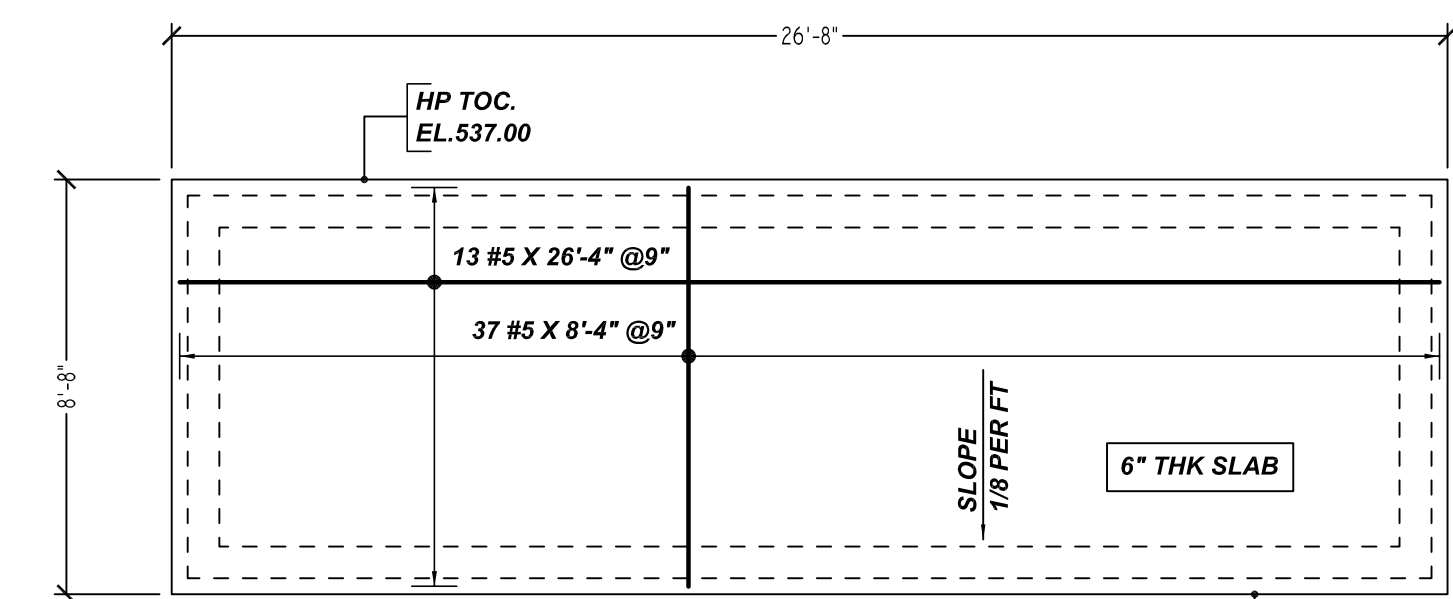
Bar Mark	Qty	Size	Total Length	Type	X	Y	Z	W	V	U	T	S	R	Q	P	O	N	M	L	K	J	I	H	G	F	E	D	C	B	A
4B1	44	#4	7'-11"	11	0'-4"	1'-0"	2'-2"	1'-0"	2'-2"	0'-4"																				
7B1	8	#7	28'-0"	2	1'-0"	25'-8"				1'-2"																				



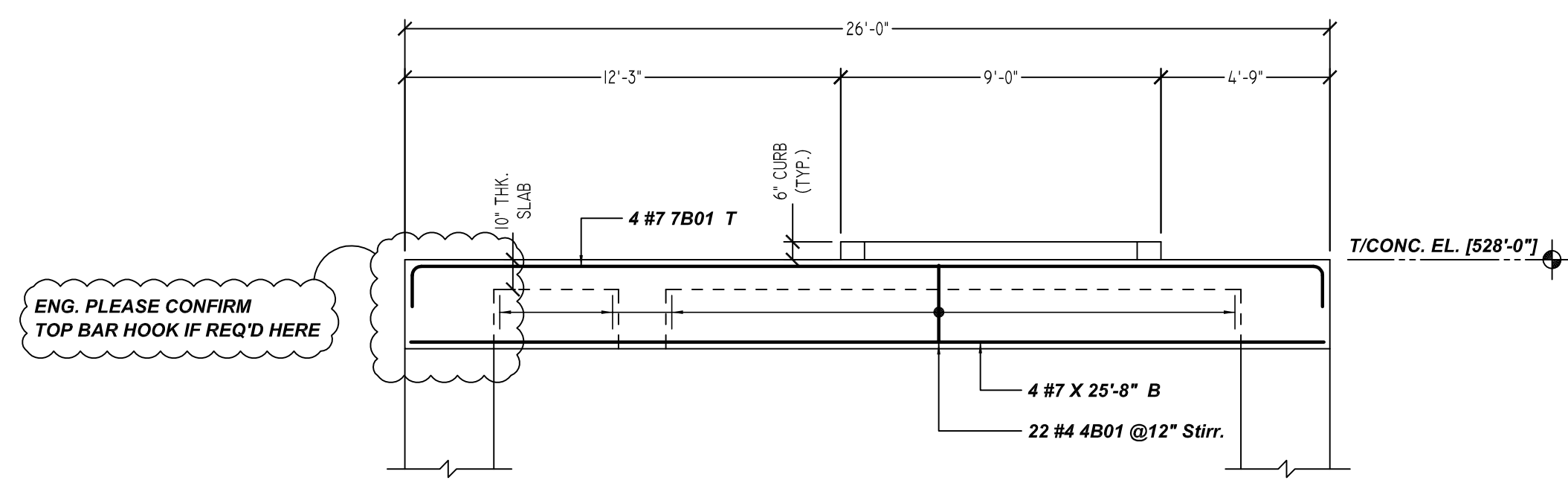
**ELEVATION B**  
SCALE - 1/4"=1'-0"  
REF:1/S-20



**KEY PLAN**  
SCALE - N.T.S.

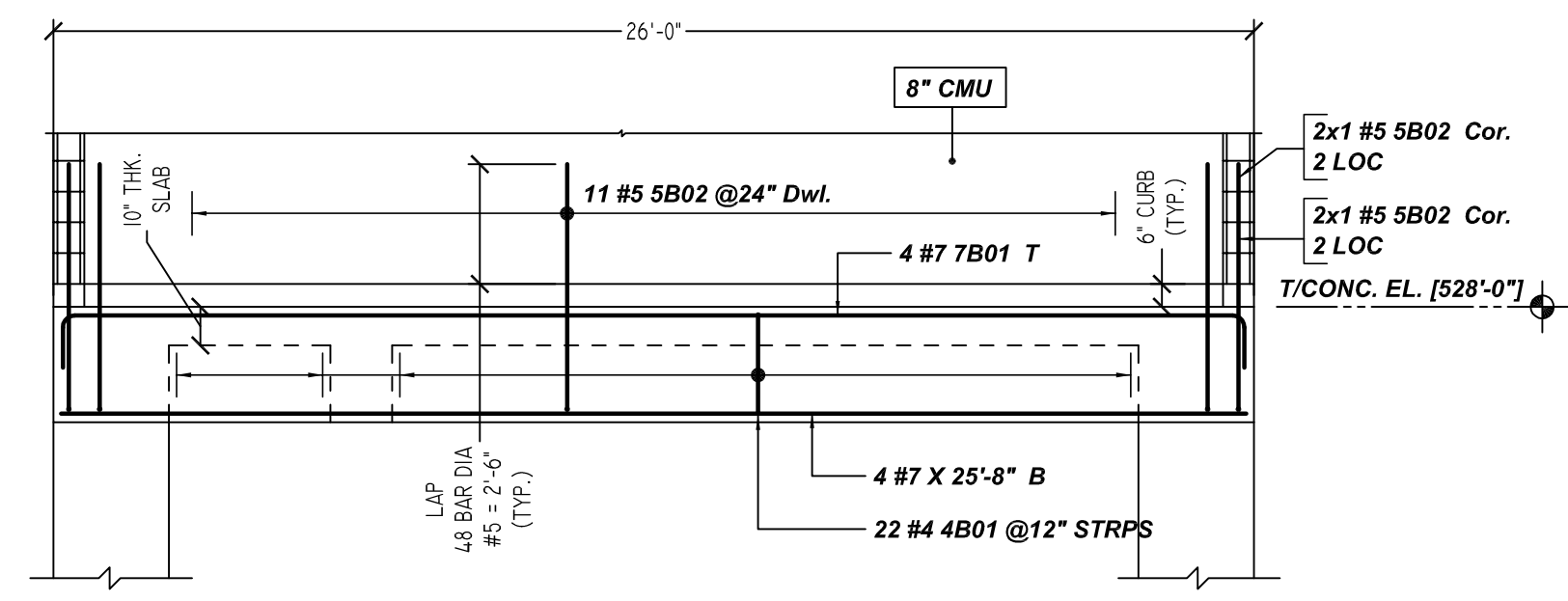


**96" EFFLUENT STAIR ROOM ROOF SLAB LAYOUT**  
SCALE - 1/4"=1'-0"  
REF:S-20

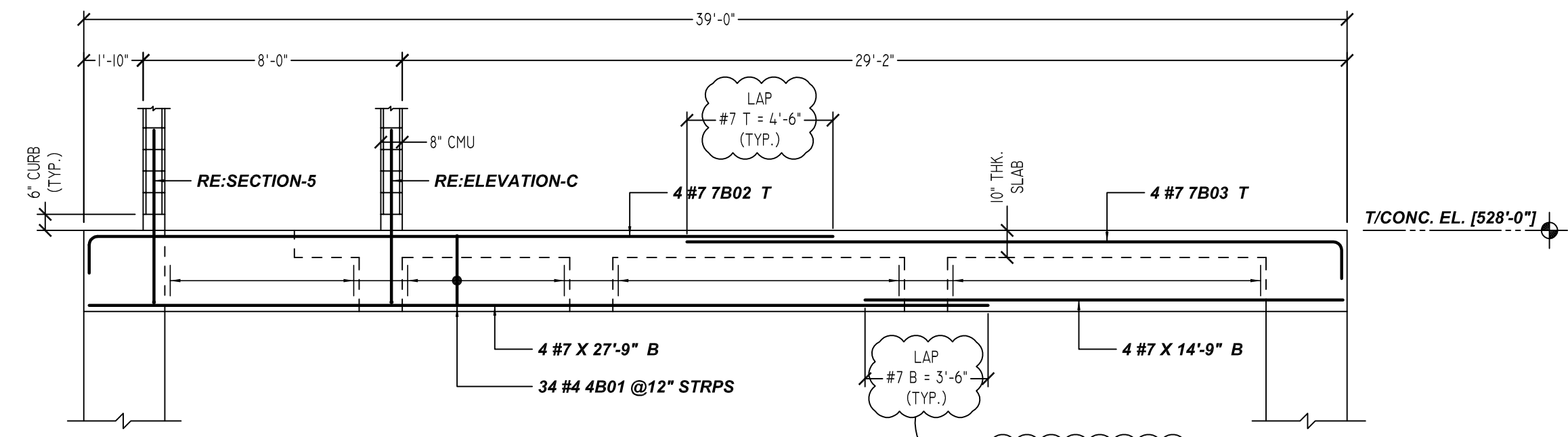


**ELEVATION A**  
SCALE - 1/4"=1'-0"  
REF:1/S-20

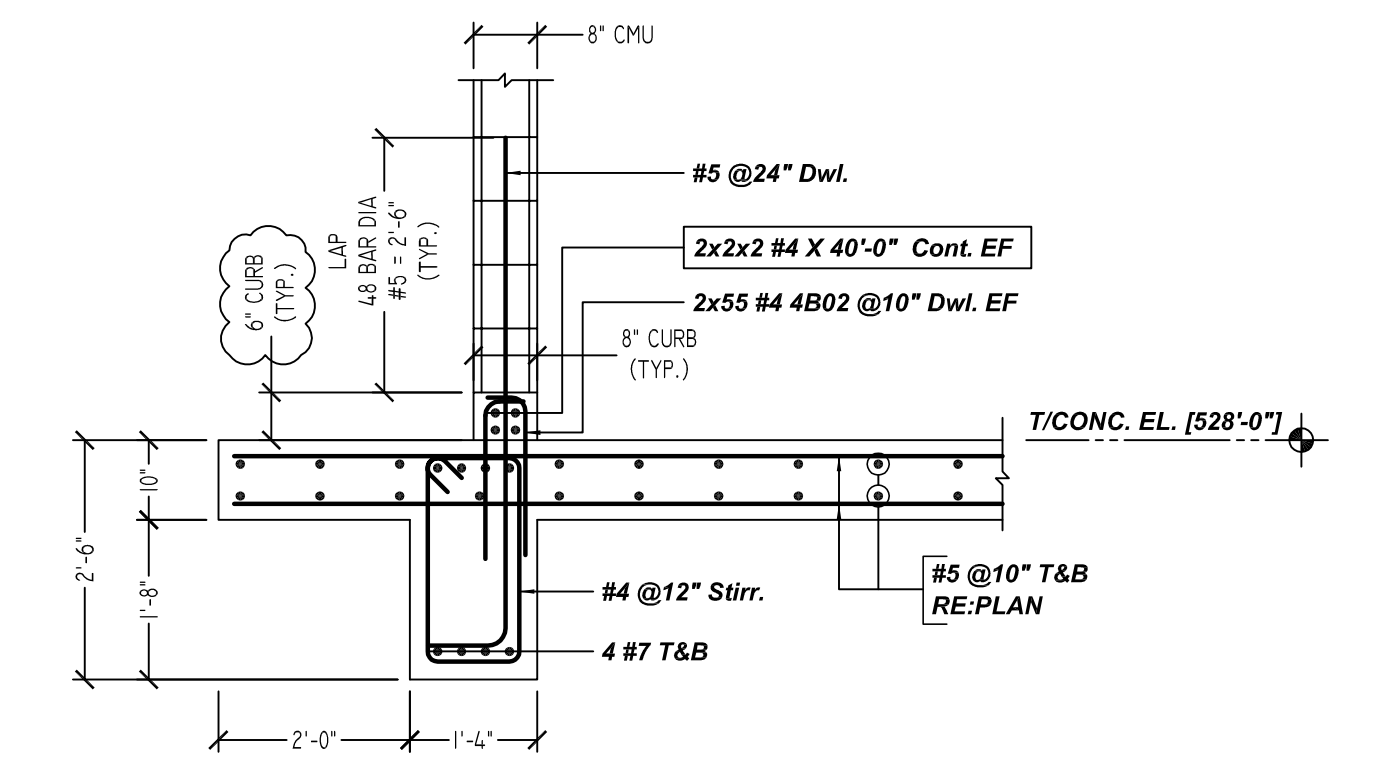
SUBMITTAL RECORD		PROJECT INFORMATION		DRAWING
DATE: 09/29/21	FOR: APPROVAL	CUSTOMER: WWH CONSTRUCTORS	JOB #: 543	
DATE: -	FOR: -	JOB NAME: WULF WTP IMPROVEMENTS	DETAILER: BCS	
DATE: -	FOR: -	LOCATION: WULF, TX	EMAIL: -	
DATE: -	FOR: -	PHONE: -	DESCRIPTION: 96" EFFLUENT METER VAULT ROOF SLAB & BEAM REINFORCEMENT DETAILS	
DATE: -	FOR: -			



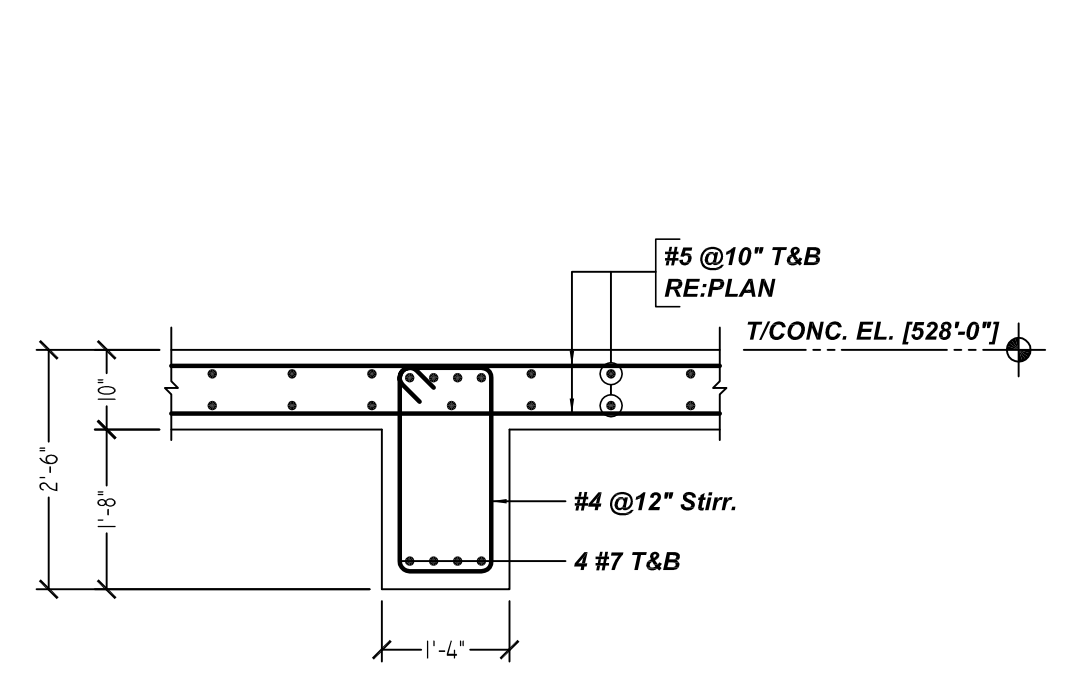
**ELEVATION C**  
 SCALE - 1/4"=1'-0"  
 REF: 1/S-20  
 ENG. PLEASE VERIFY BAR ARRANGEMENT (TYP.)



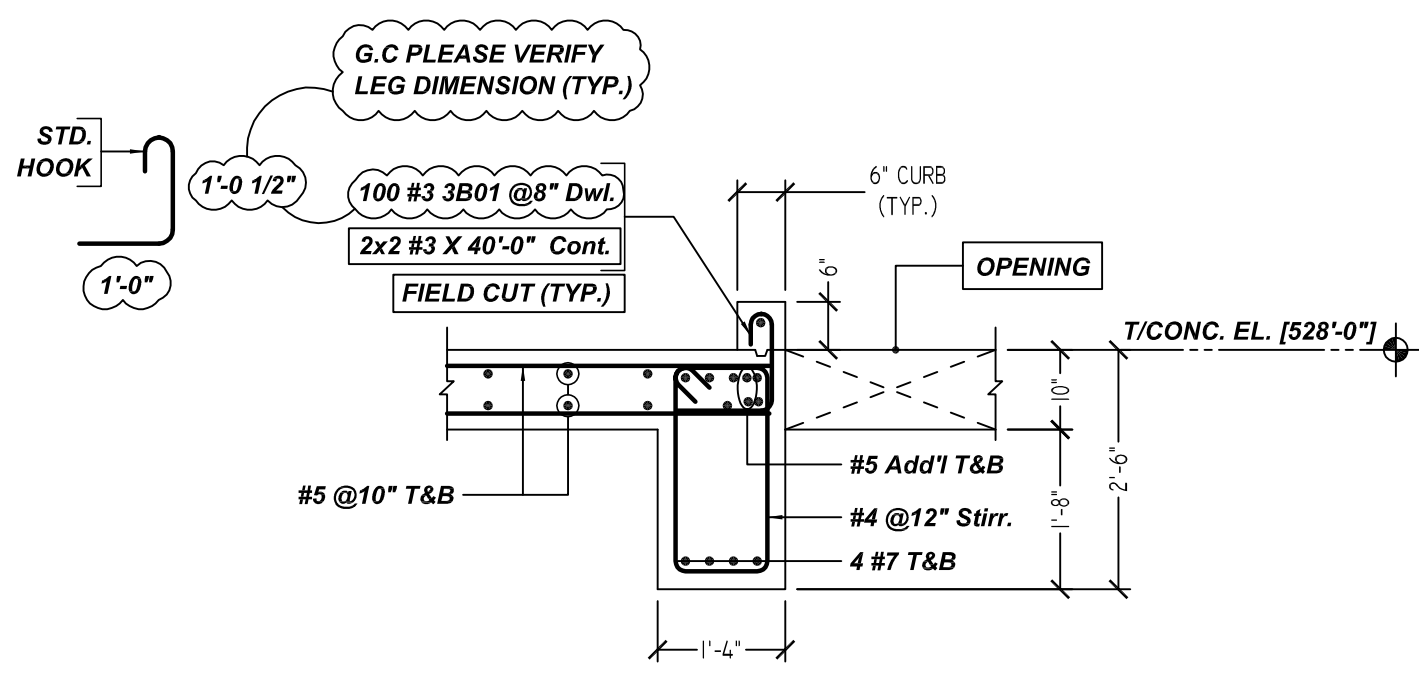
**ELEVATION D**  
 SCALE - 1/4"=1'-0"  
 REF: 1/S-20  
 ENG. PLEASE VERIFY LAP DIMENSION (TYP.)



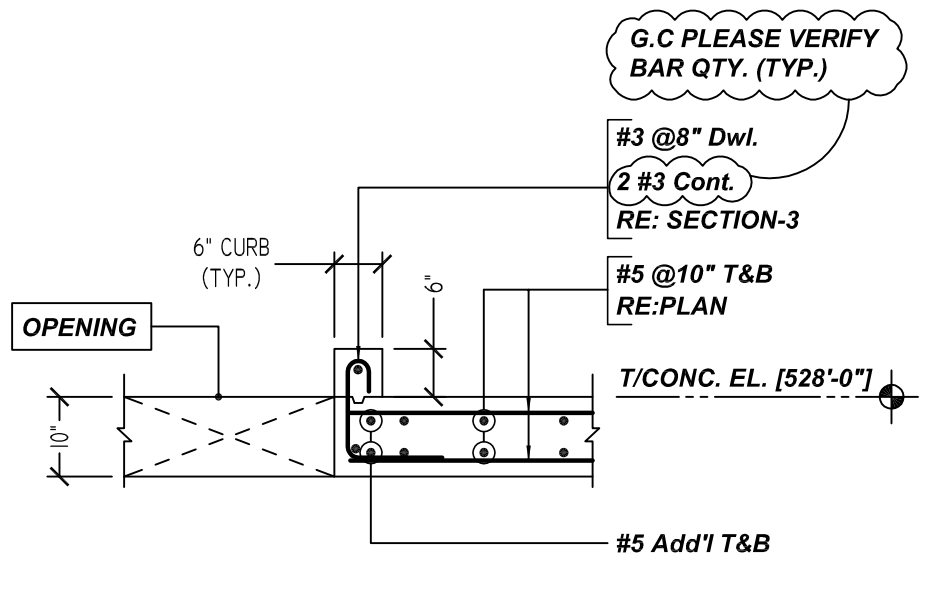
**SECTION 1**  
 SCALE - 1/2"=1'-0"  
 REF: 1/S-20



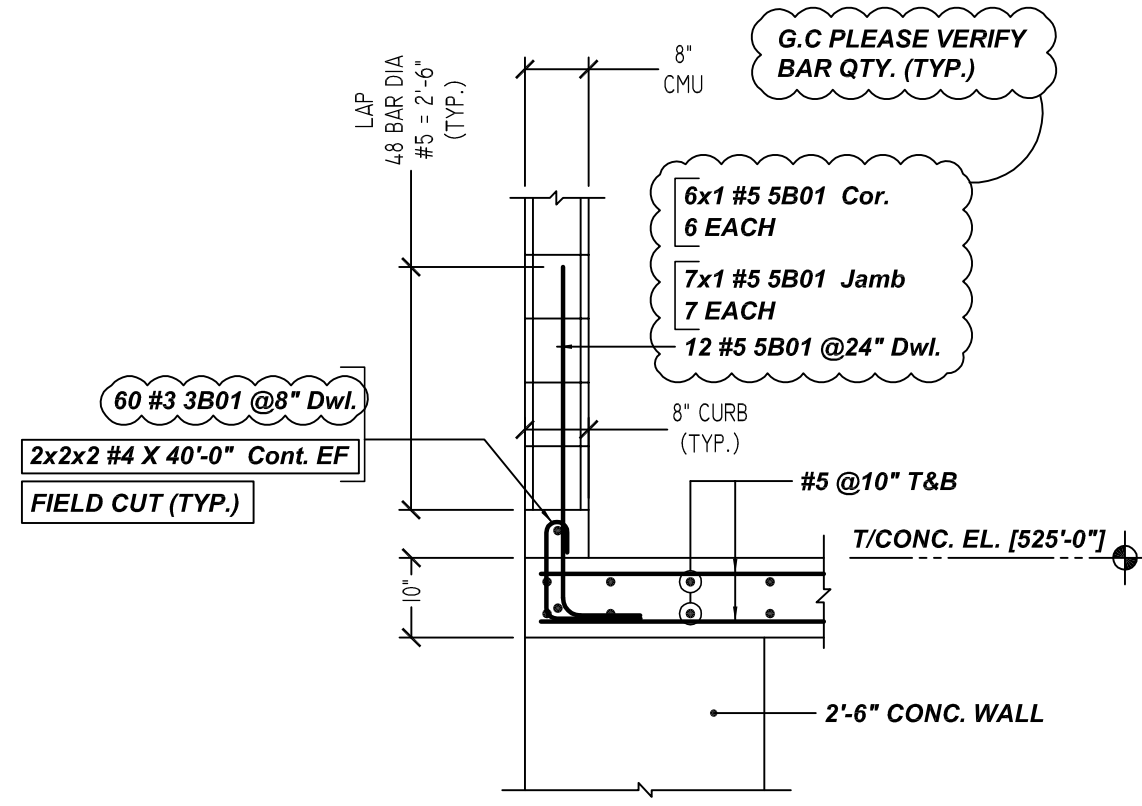
**SECTION 2**  
 SCALE - 1/2"=1'-0"  
 REF: 2/S-20



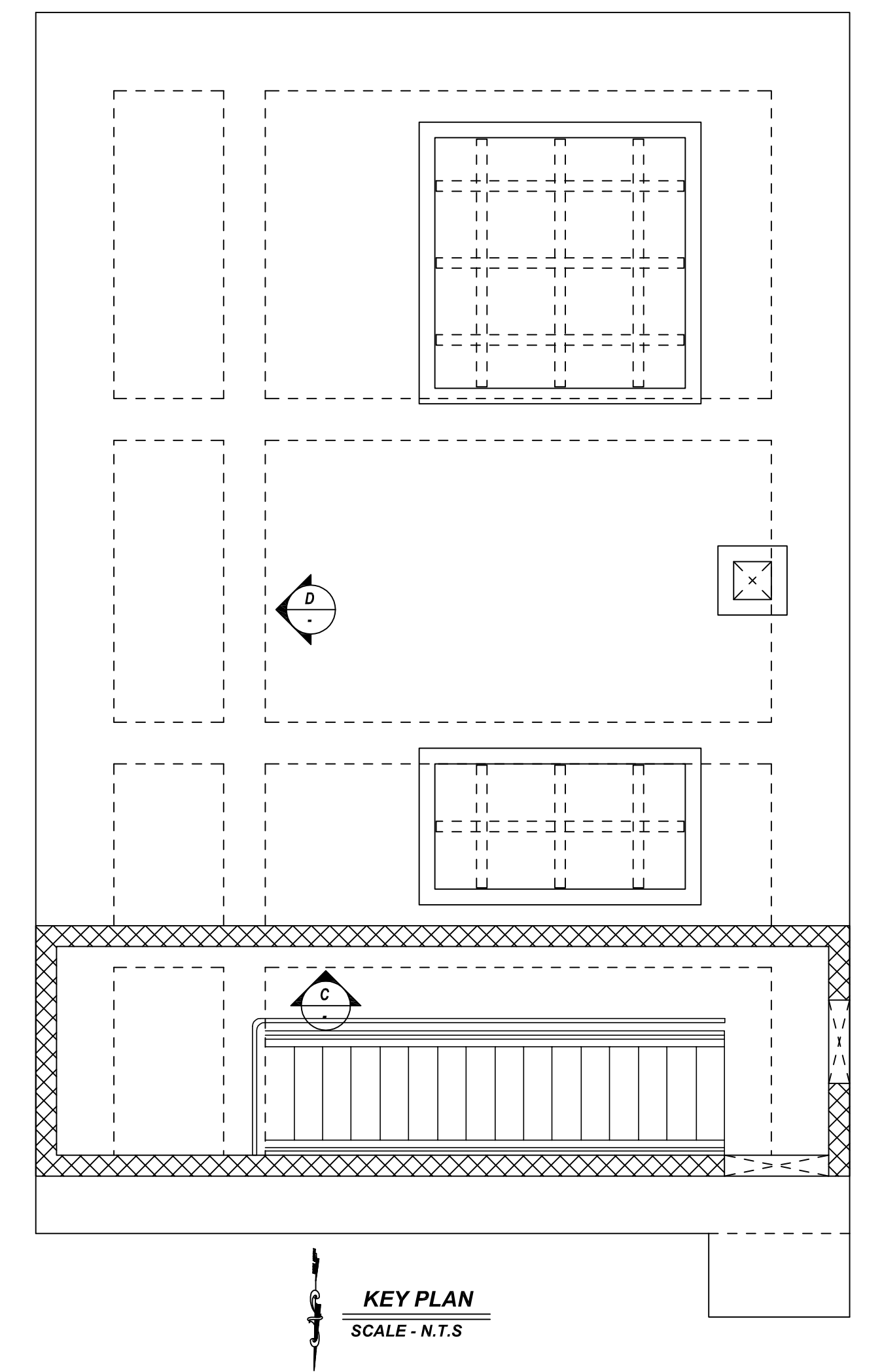
**SECTION 3**  
 SCALE - 1/2"=1'-0"  
 REF: 2/S-20 & 6/S-26



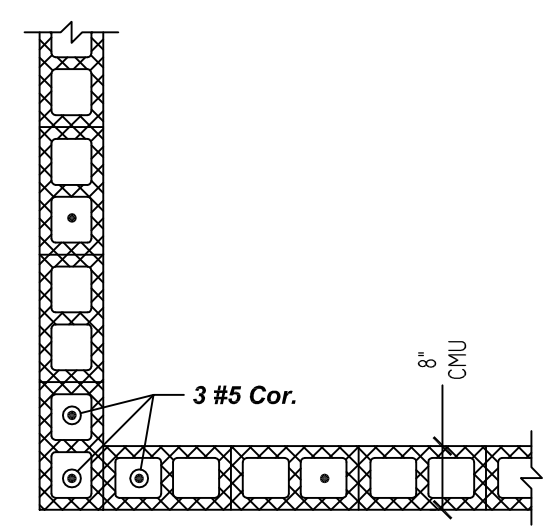
**SECTION 4**  
 SCALE - 1/2"=1'-0"  
 REF: 2/S-20 & 6/S-26(SIM.)



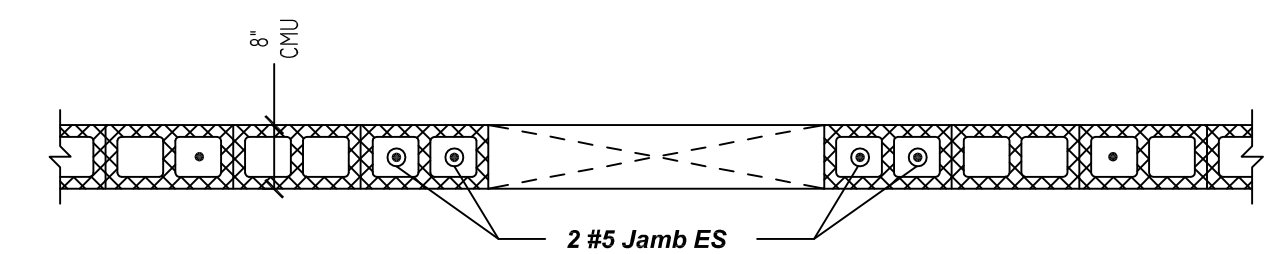
**SECTION 5**  
 SCALE - 1/2"=1'-0"  
 REF: 6/S-26 & 1/S-20 (SIM.)



**KEY PLAN**  
 SCALE - N.T.S.



**AT CORNER**

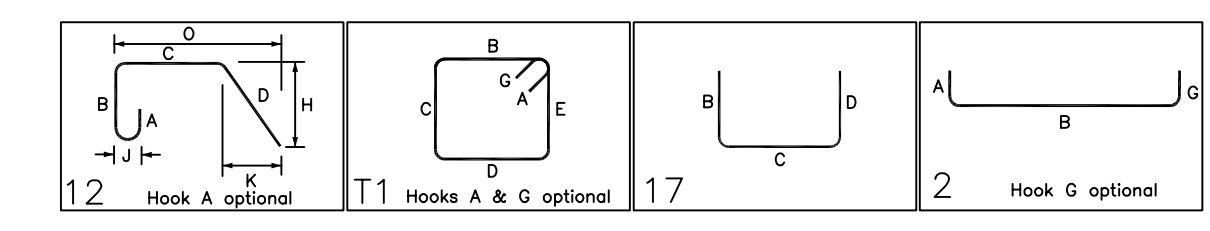


**AT JAMB**

**MASONRY WALL DOWEL ARRANGEMENT**  
**TYPICAL MASONRY SHEAR WALL DETAIL**  
 SCALE - 1/2"=1'-0"  
 REF: S-31  
 G.C PLEASE VERIFY BAR ARRANGEMENT (TYP.)

Release Number: R2.002

Bar Mark	Qty	Size	Total Length	Type	X	Y	Z	W	V	U	T	S	R	Q	P
3B01	100	#3	2'-5 8/16"	12	0'-5"	1'-0 1/4"	1'-0"								
4B01	56	#4	7'-11 11/16"	11	0'-4 1/4"	1'-0"	2'-2"	1'-0"	2'-2"	0'-4 1/4"					
4B02	110	#4	2'-11 1/16"	17	1'-8"	0'-5"									
5B01	25	#5	4'-6 1/16"	2	0'-10"	3'-8"									
5B02	15	#5	6'-2 1/16"	2	0'-10"	5'-4"									
7B01	4	#7	28'-0"	2	1'-2"	25'-8"				1'-2"					
7B02	4	#7	24'-2"	2	1'-2"	23'-0"									
7B03	4	#7	21'-5 1/16"	2	1'-2"	20'-3"									



**ACCESSORIES DETAILS**

S. NO	ELEMENT	DESCRIPTION	PCS	LFT/SQ.FT	REMARK
1	GRADE BEAM	2" BEAM BOLSTER 5'-0" LENGTH @ 48" O.C	30	120 LFT	FOR BAR SUPPORT (@ BOTTOM)
2	10" THK SLAB	2" IHC	60	860 SQ.FT	FOR BAR SUPPORT (@ BOTTOM)
3	10" THK SLAB	6 3/4" IHC	60	860 SQ.FT	FOR BAR SUPPORT (@ TOP)
4	6" THK SLAB	2" IHC	20	235 SQ.FT	FOR BAR SUPPORT (@ BOTTOM)

**LAP SCHEDULE**

SIZE	TOP	OTHERS
#3	18"	16"
#4	25"	20"
#5	32"	24"
#6	40"	31"
#7	54"	42"
#8	63"	45"
#9	76"	54"
#10	84"	66"

ENG. PLEASE VERIFY LAP SCHEDULE