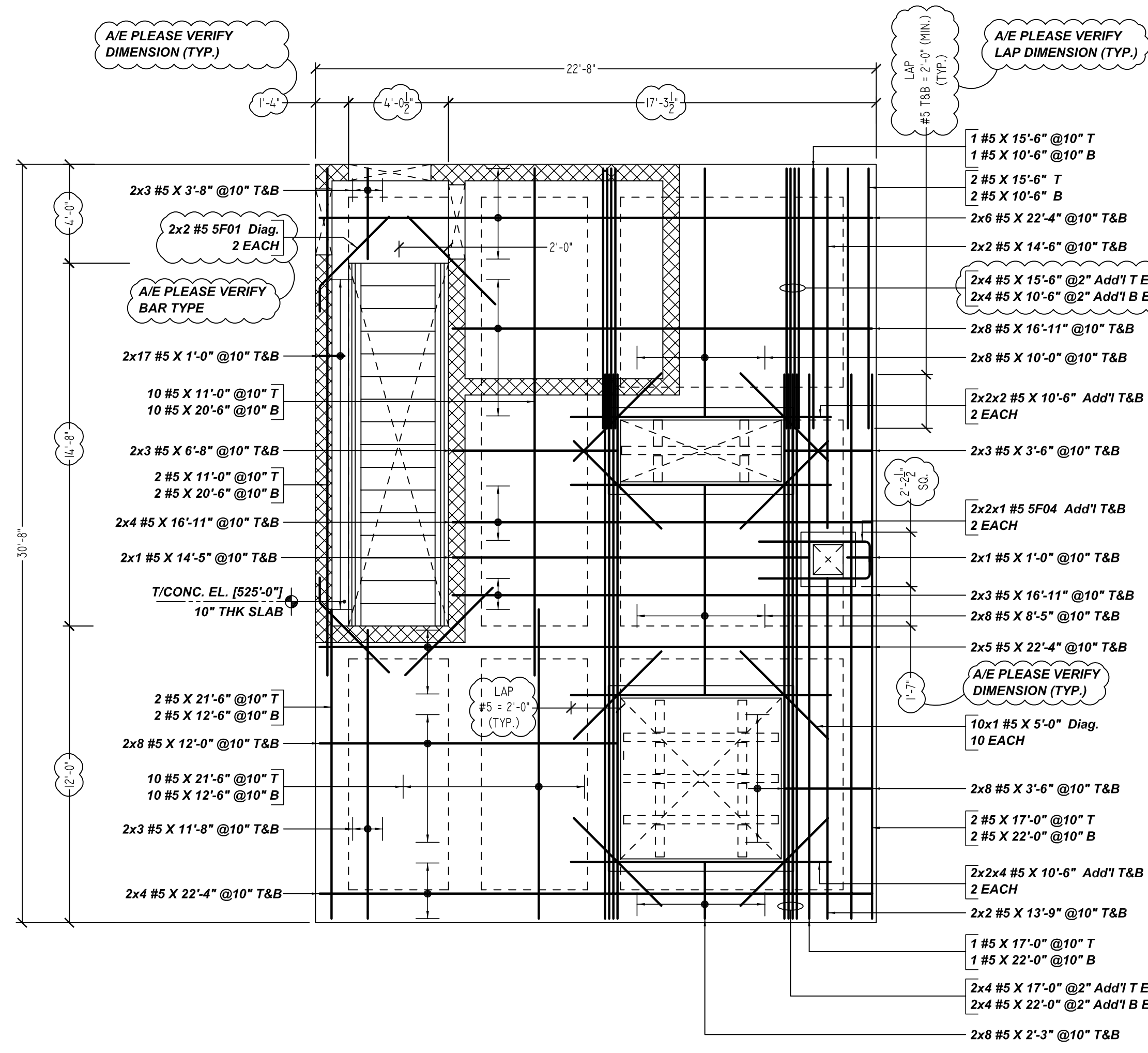
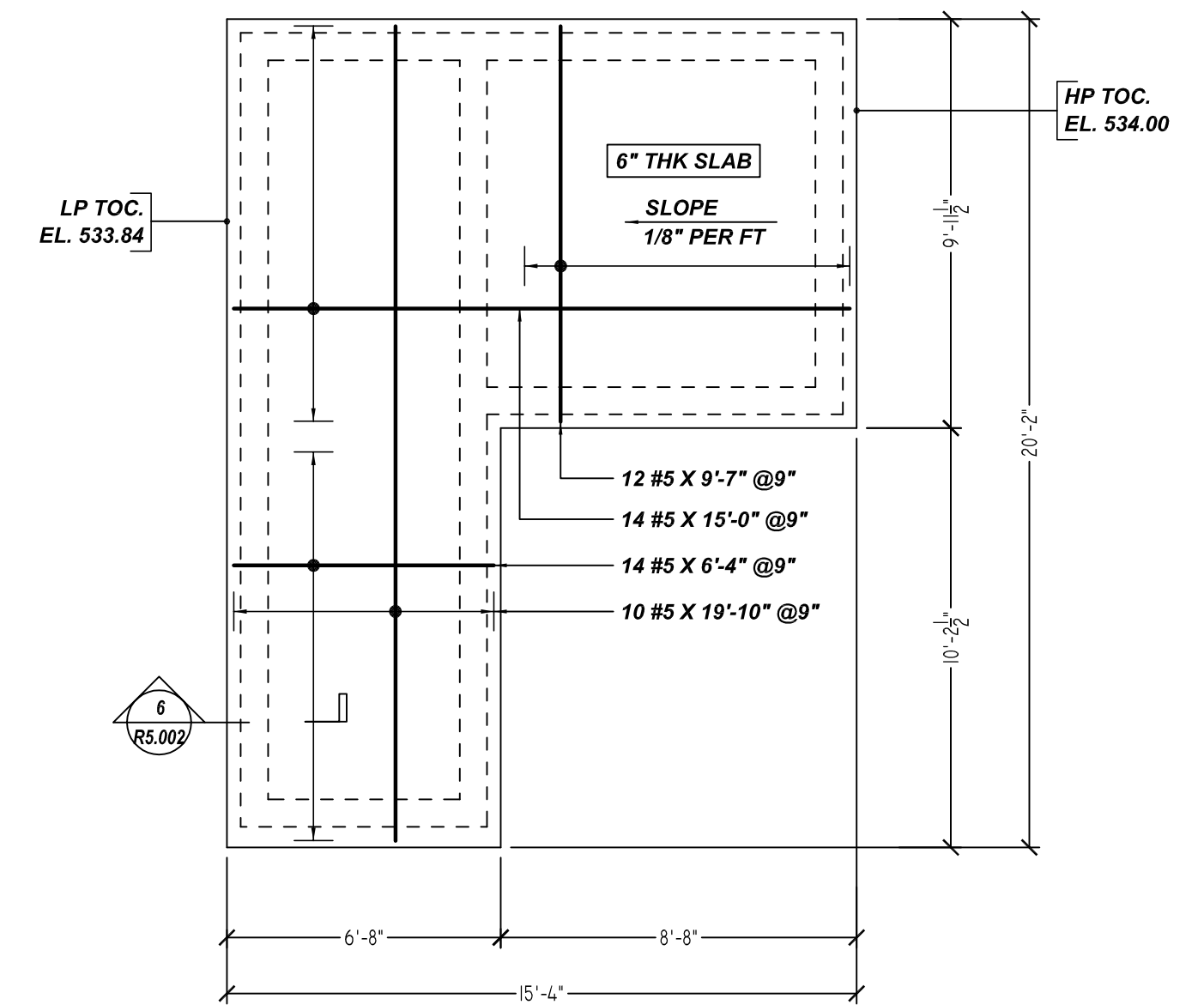


60" EFFLUENT METER VAULT ROOF BEAM & SLAB REINFORCEMENT DETAILS
SCALE - 1/4"=1'-0"
REF:S-22



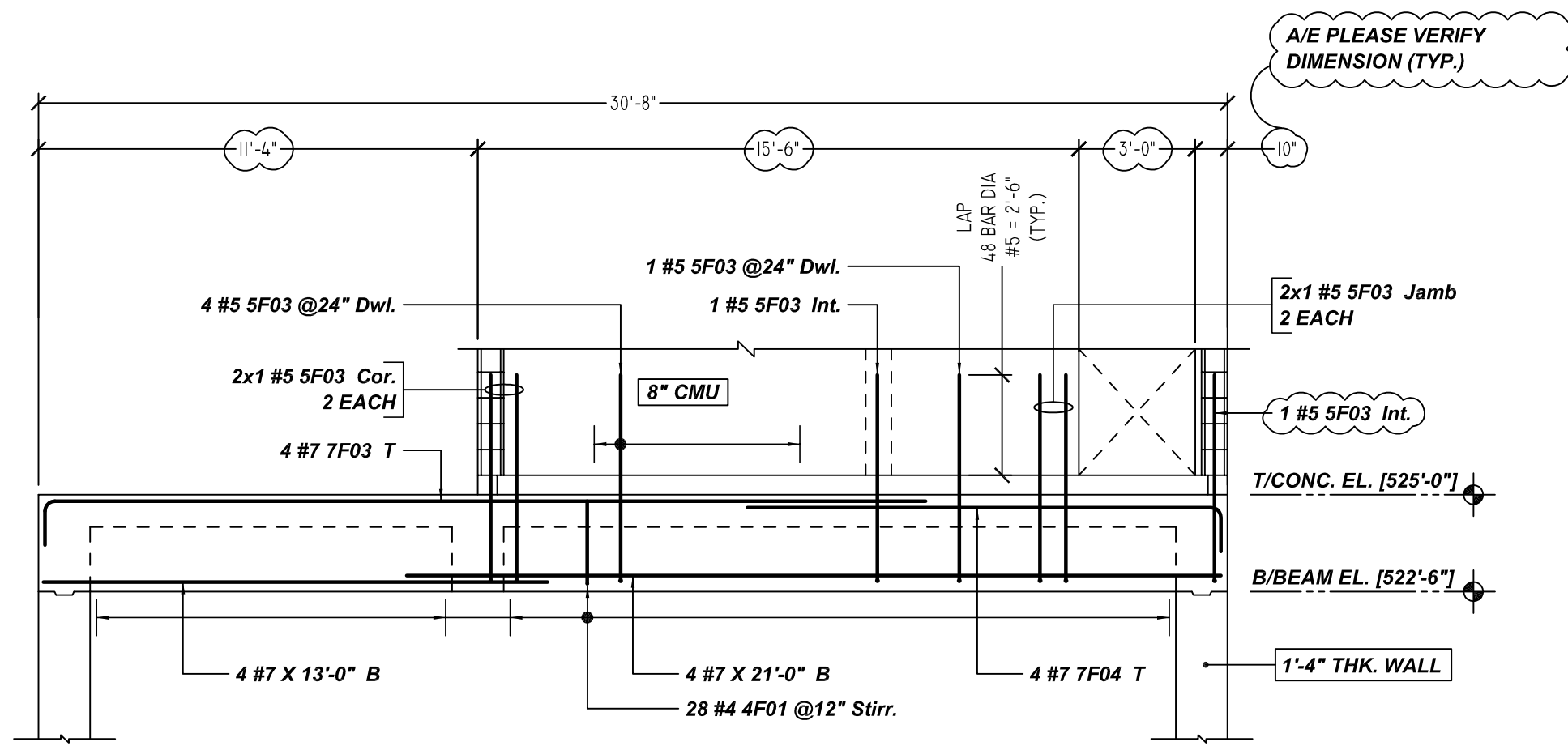
60" EFFLUENT METER VAULT ROOF SLAB REINFORCEMENT DETAILS
SCALE - 1/4"=1'-0"
REF:S-22



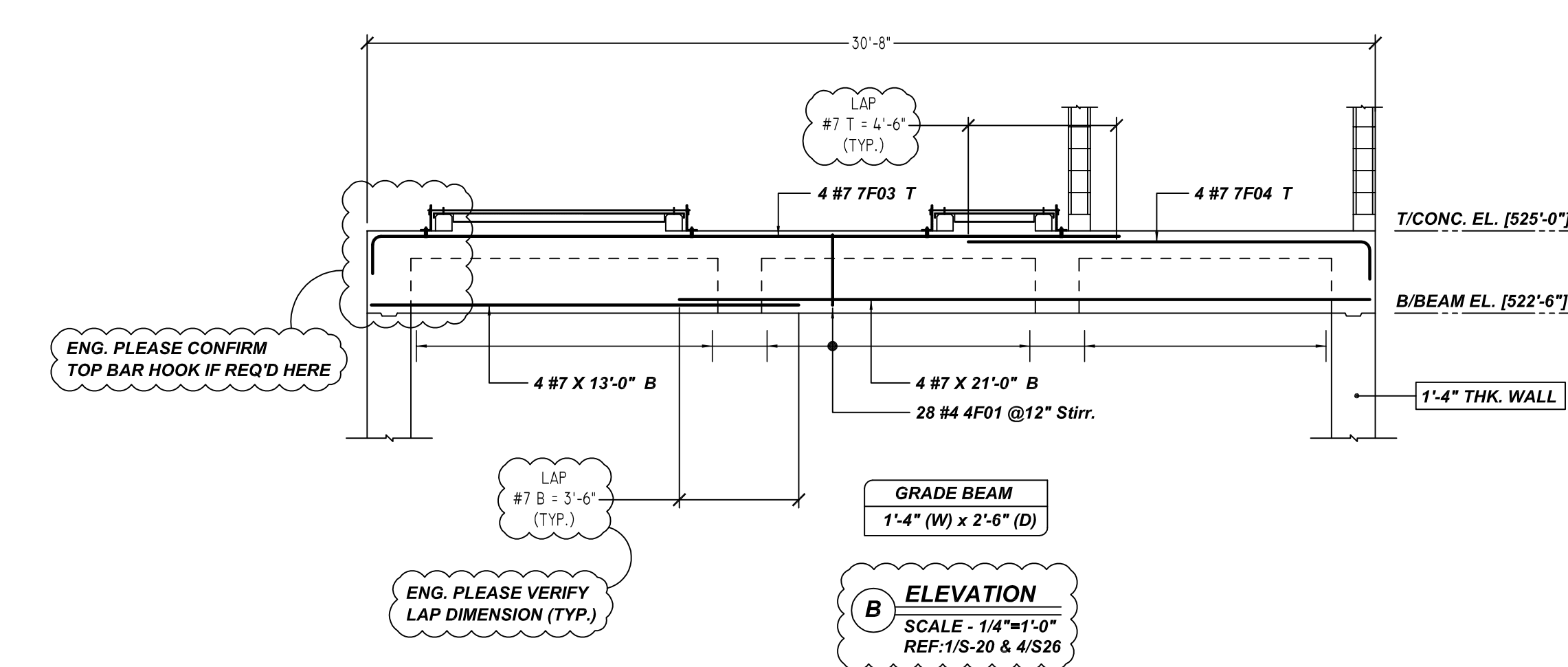
60" EFFLUENT STAIR ROOM ROOF SLAB REINFORCEMENT DETAILS
SCALE - 1/4"=1'-0"
REF:S-22

Bar Mark	Qty	Size	Total Length	Type	X	Y	Z	W	V	U	T	S	R	Q	P	O	N	M	L	K	J	I	H	G	F	E	D	C	B	A
401	66	#4	7'-11"	11	0'-4 1/2"	1'-0"	2'-3"	1'-0"	2'-2"	0'-4 1/2"																				
402	20	#4	9'-5"	11	0'-4 1/2"	2'-2"	2'-2"	2'-2"	2'-2"	0'-4 1/2"																				
501	4	#5	4'-11 1/2"	3	1'-0 1/2"	3'-11 1/2"				2'-10"																				
503	15	#5	6'-2"	2	0'-10"	5'-4"																								
504	4	#5	5'-4"	2	0'-10"	4'-5"																								
701	4	#7	24'-8"	2	1'-2"	22'-4"																								
702	4	#7	15'-8"	2	1'-2"	11'-4"																								
703	8	#7	25'-11"	2	1'-2"	22'-9"																								
704	8	#7	15'-5"	2	1'-2"	12'-3"																								

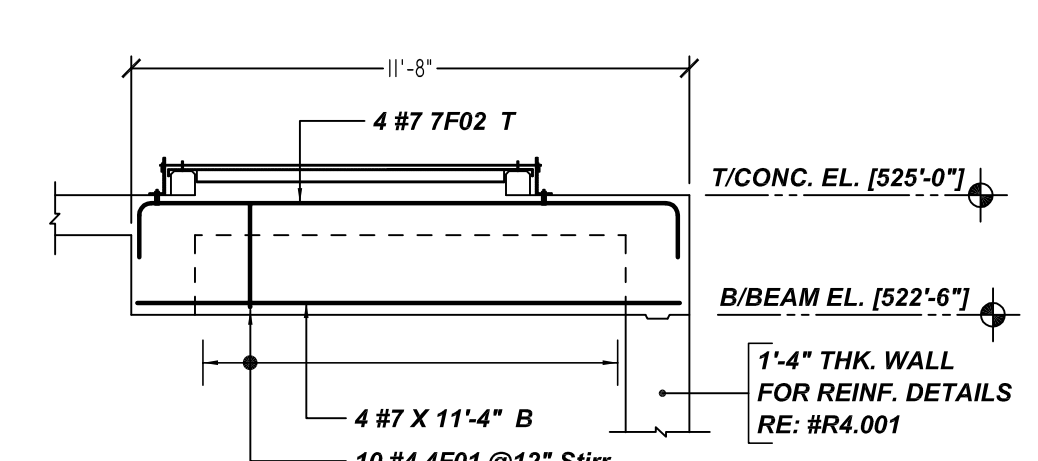
ALL BARS IN THIS DRAWING
ASTM A615 GRADE 60
BLACK UNCOATED



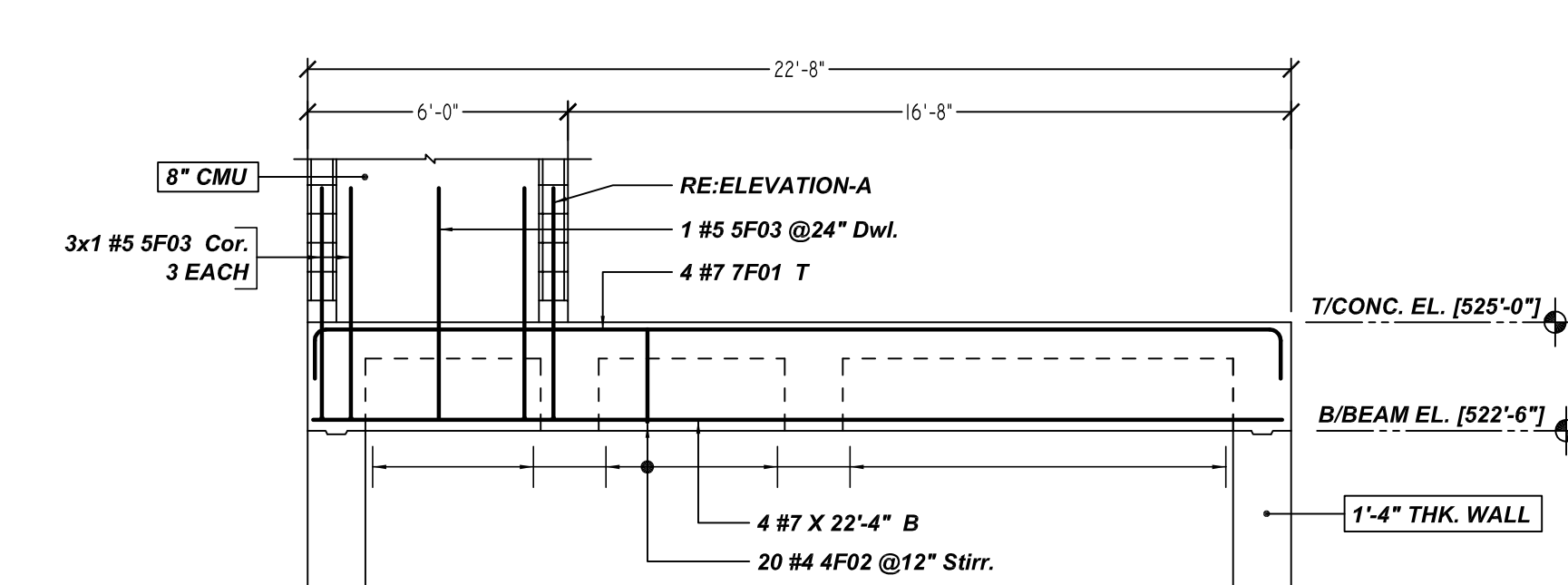
ELEVATION A
SCALE - 1/4"=1'-0"
REF:1/S-20 & 1/S23



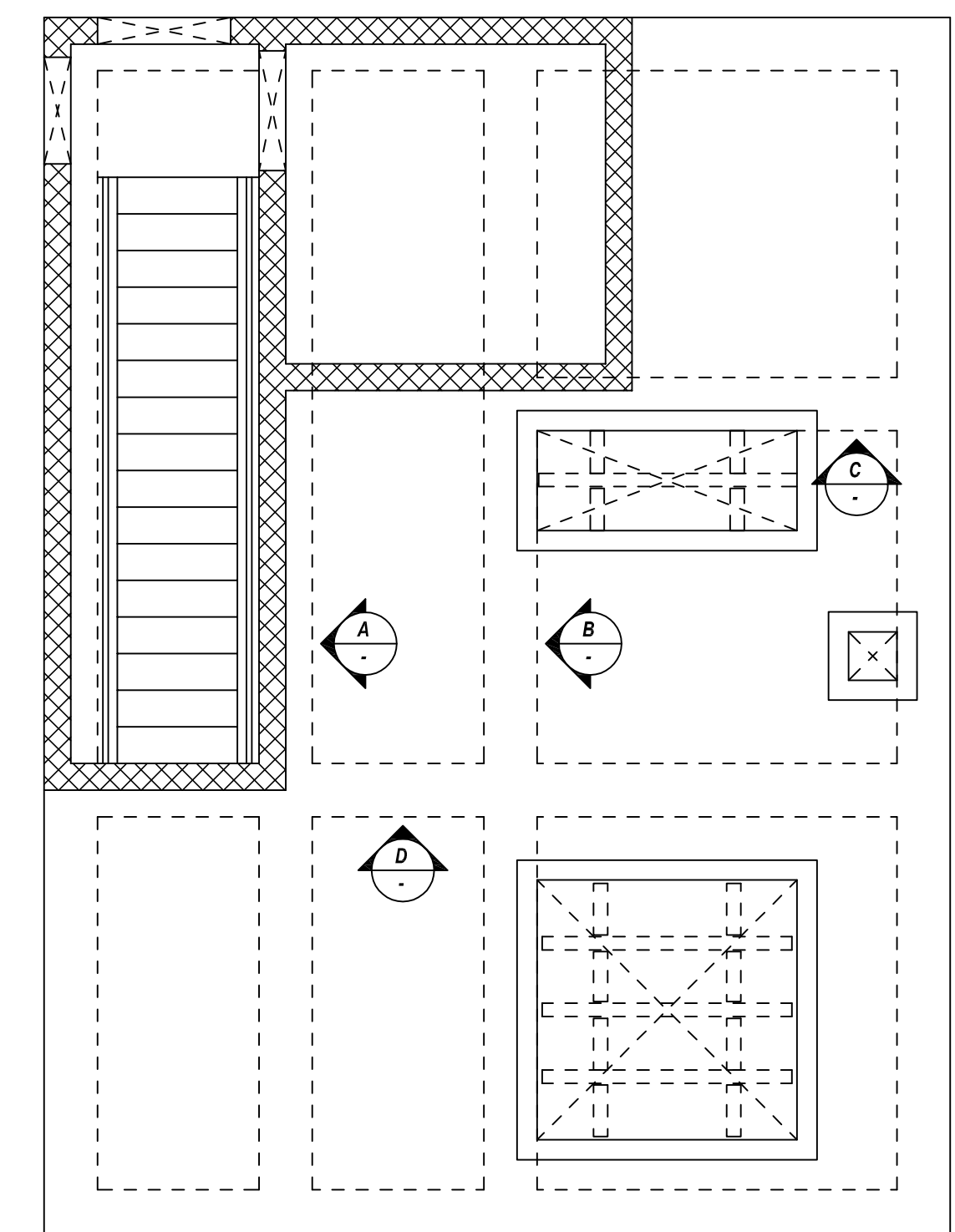
ELEVATION B
SCALE - 1/4"=1'-0"
REF:1/S-20 & 4/S26



ELEVATION C
SCALE - 1/4"=1'-0"
REF:2/S-20 & 4/S26



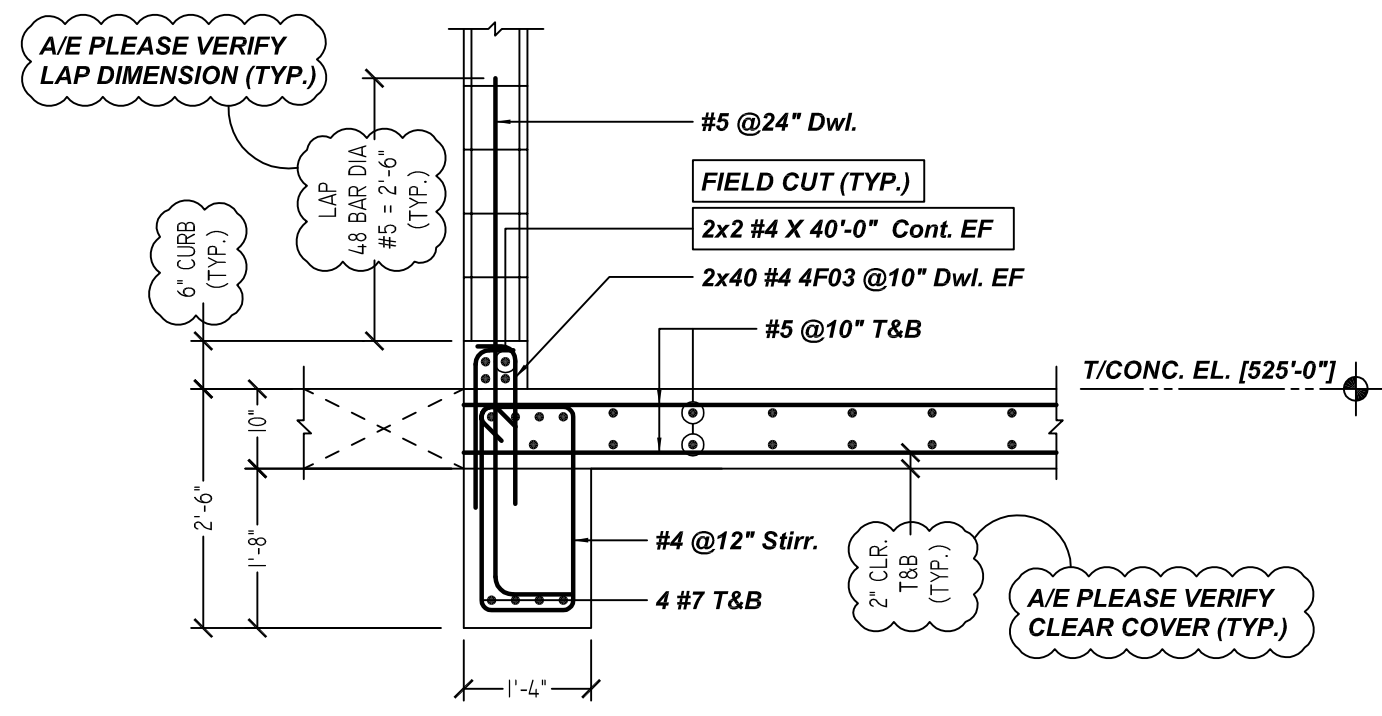
ELEVATION D
SCALE - 1/4"=1'-0"
REF:2/S-20 & 4/S26



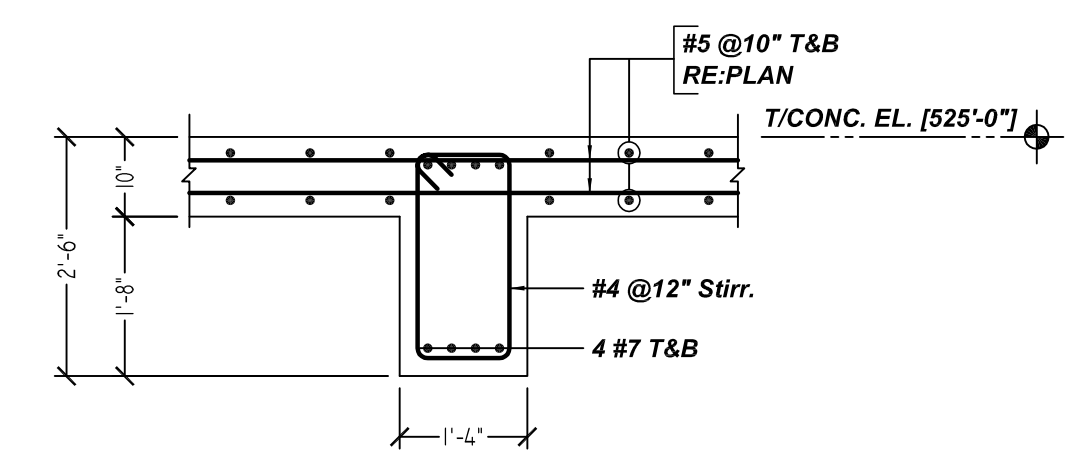
KEY PLAN
SCALE - N.T.S

SUBMITTAL RECORD		PROJECT INFORMATION		DRAWING
DATE: 10/16/21	FOR: APPROVAL	CUSTOMER: WWH CONSTRUCTORS	JOB #: 543	
DATE: -	FOR: -	JOB NAME: WYLE WIP IMPROVEMENTS	DETAILER: ECS	
DATE: -	FOR: -	LOCATION: WYLE, TX	PHONE: -	
DATE: -	FOR: -	DESCRIPTION: EFFLUENT METER VAULT ROOF BEAM & SLAB REINFORCEMENT DETAILS		

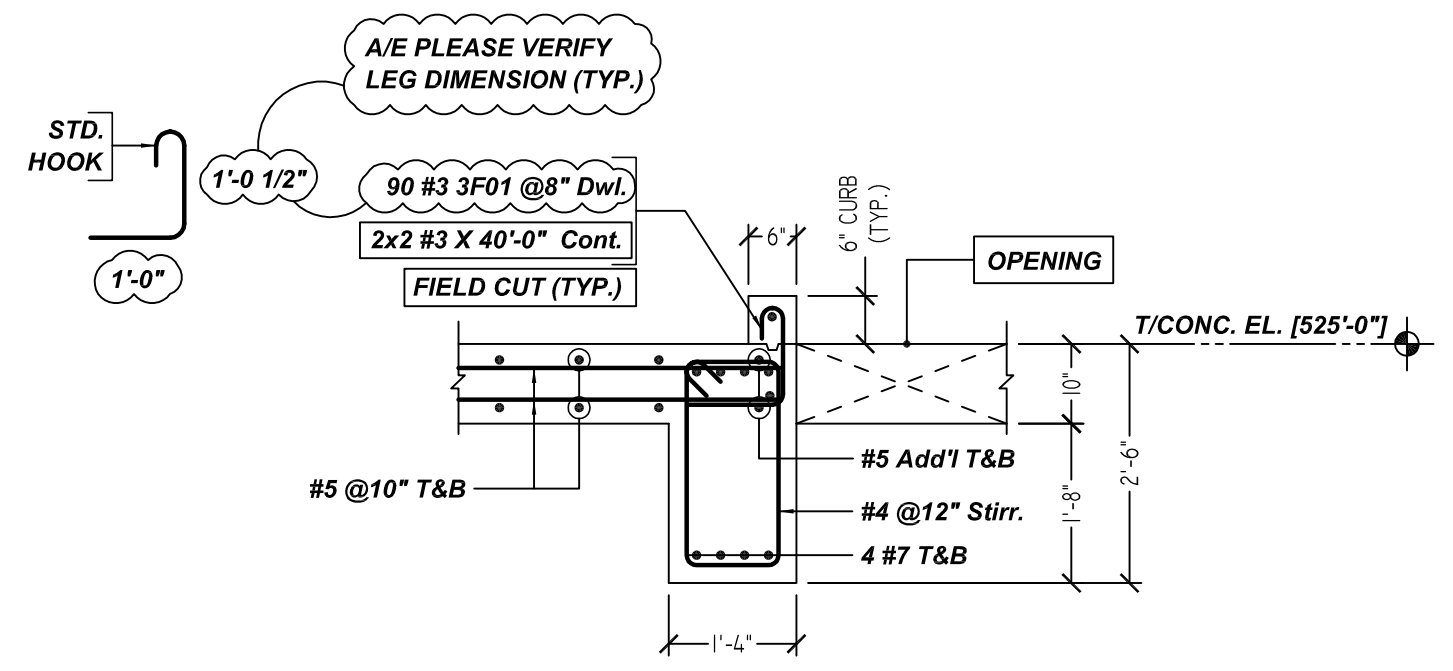
R5.001



1 SECTION
SCALE - 1/2"=1'-0"
REF: 1/S-20



2 SECTION
SCALE - 1/2"=1'-0"
REF: 2/S-20

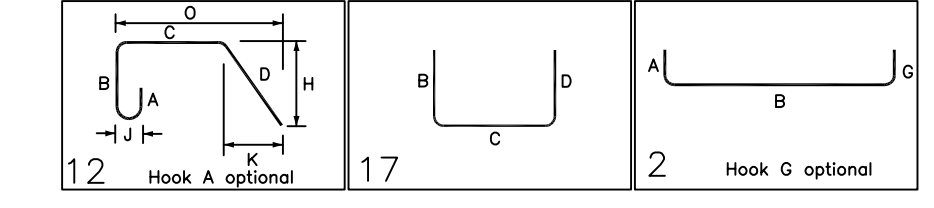


3 SECTION
SCALE - 1/2"=1'-0"
REF: 2/S-20 & 6/S-26

TYPICAL REINFORCING BAR CLEARANCE TABLE	
LOCATION	MIN. COVER
BEAM TOP & BOTTOM	2" CLR
BEAM SIDE	2" CLR

A/E PLEASE CONFIRM CLEAR COVER (TYP.)

Bar List		BAR LIST													
Bar Mark	Qty	Size	Total Length	Type	X	Y	Z	V	W	U	T	S	R	Q	P
3F01	180	#3	7'-5.8"	12	0'-5"	1'-0.8"	1'-0"								
4F03	80	#4	2'-11"	17	0'-5"	1'-8"	0'-5"								
5F02	33	#5	4'-6"	2	0'-10"	3'-8"									

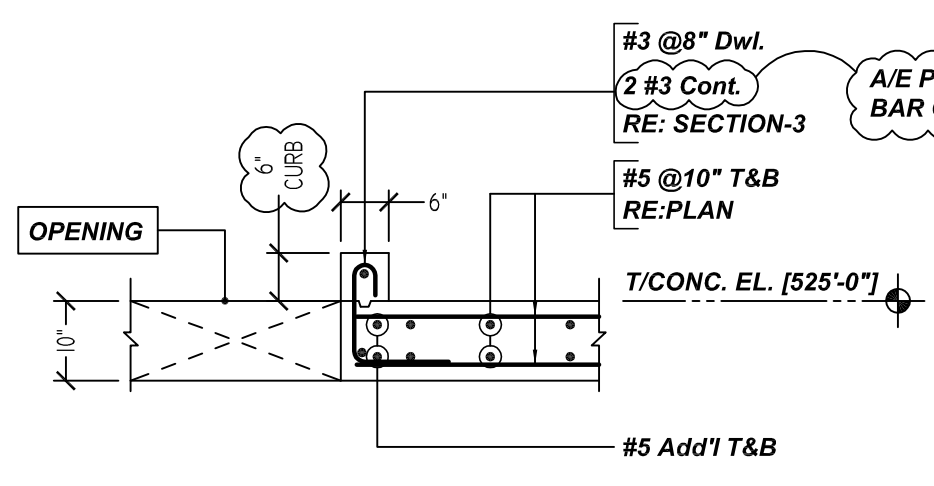


ACCESSORIES DETAILS				
S. NO	ELEMENT	DESCRIPTION	PCS	LFT/SQ.FT
1	GRADE BEAM	2" BEAM BOLSTER 5'-0" LENGTH @48" O.C	30	100 LFT
2	10" THK SLAB	2" IHC @B	50	700 SQ.FT
3	10" THK SLAB	6 3/4" IHC @T	50	700 SQ.FT
4	6" THK SLAB	2" IHC @B	20	225 SQ.FT

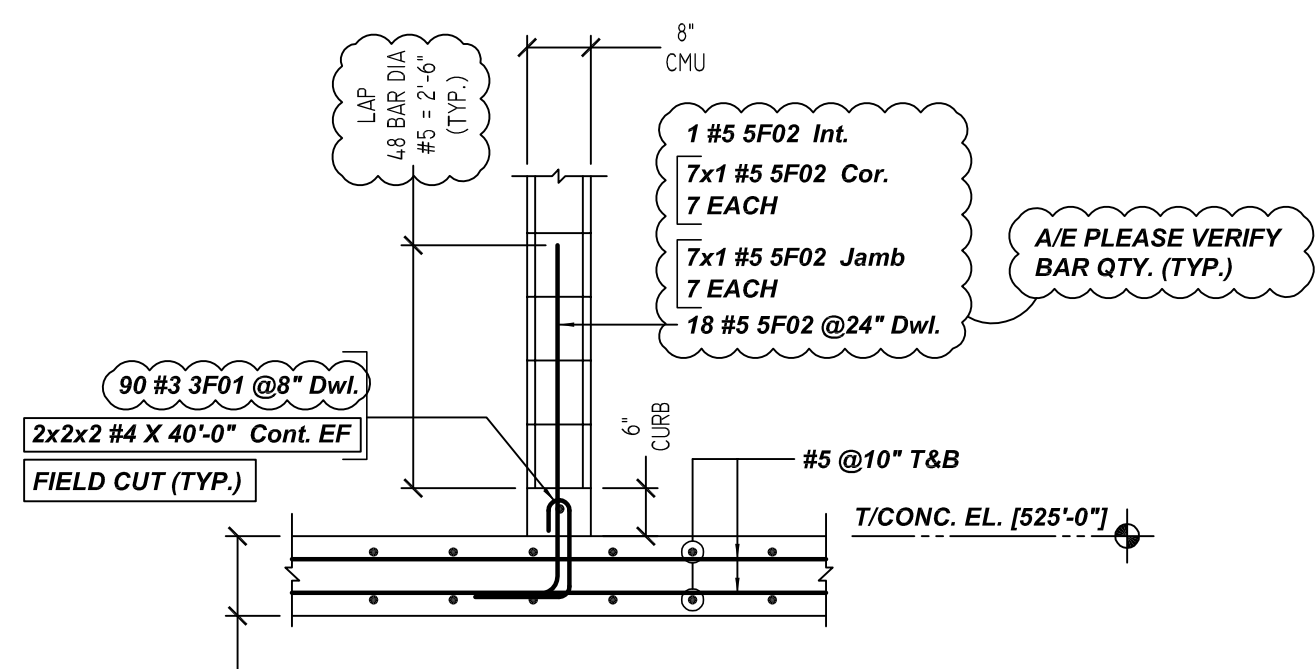
LAP SCHEDULE		
SIZE	TOP	OTHERS
#3	18"	16"
#4	25"	20"
#5	32"	24"
#6	40"	31"
#7	54"	42"
#8	63"	45"
#9	76"	54"
#10	84"	66"

A/E PLEASE VERIFY LAP SCHEDULE

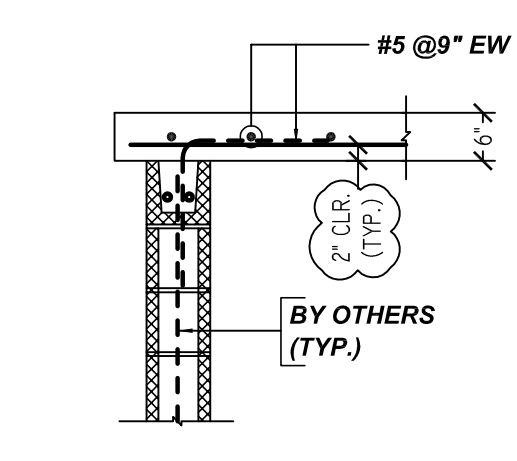
**ALL BARS IN THIS DRAWING
ASTM A615 GRADE 60
BLACK UNCOATED**



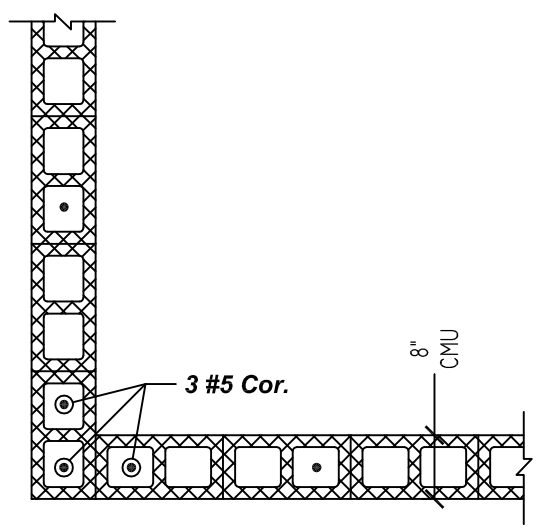
4 SECTION
SCALE - 1/2"=1'-0"
REF: 2/S-20 & 6/S-26(SIM.)



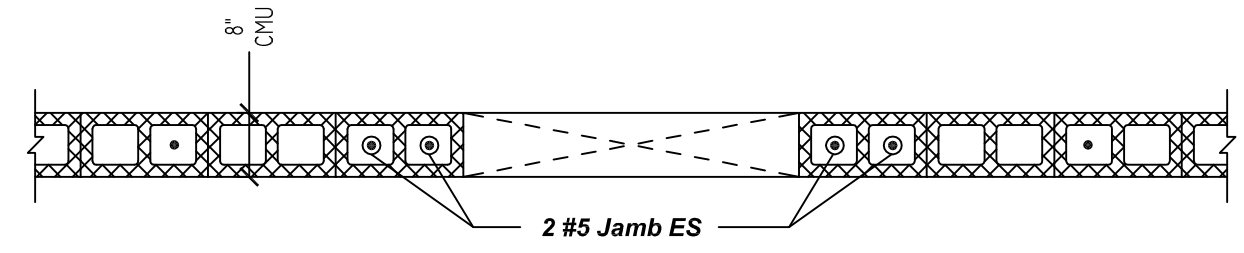
5 SECTION
SCALE - 1/2"=1'-0"
REF: 1/S-20



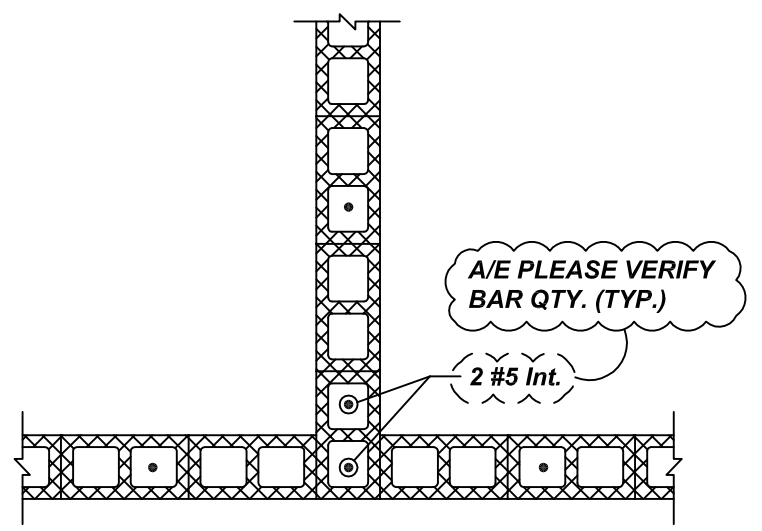
6 SECTION
SCALE - 1/2"=1'-0"
REF: 1/S-20



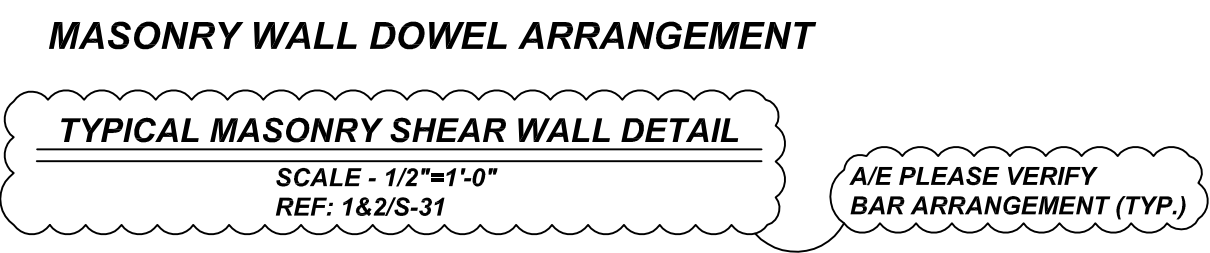
AT CORNER



AT JAMB



AT INTERSECTION



MASONRY WALL DOWEL ARRANGEMENT

TYPICAL MASONRY SHEAR WALL DETAIL
SCALE - 1/2"=1'-0"
REF: 1&2/S-31

SUBMITTAL RECORD		PROJECT INFORMATION		DRAWING
DATE: 10/16/21	FOR: APPROVAL	CUSTOMER: WNY CONSTRUCTORS	JOB #: 543	R5.002
DATE: -	FOR: -	JOB NAME: WYLE W/P IMPROVEMENTS	DETAILER: ECS	
DATE: -	FOR: -	LOCATION: WYLE, TX	PHONE: -	
DATE: -	FOR: -	DESCRIPTION:		
DATE: -	FOR: -	DESCRIPTION: CONCRETE METER WALL, ROOF BEAM & SLAB REINFORCEMENT DETAIL		