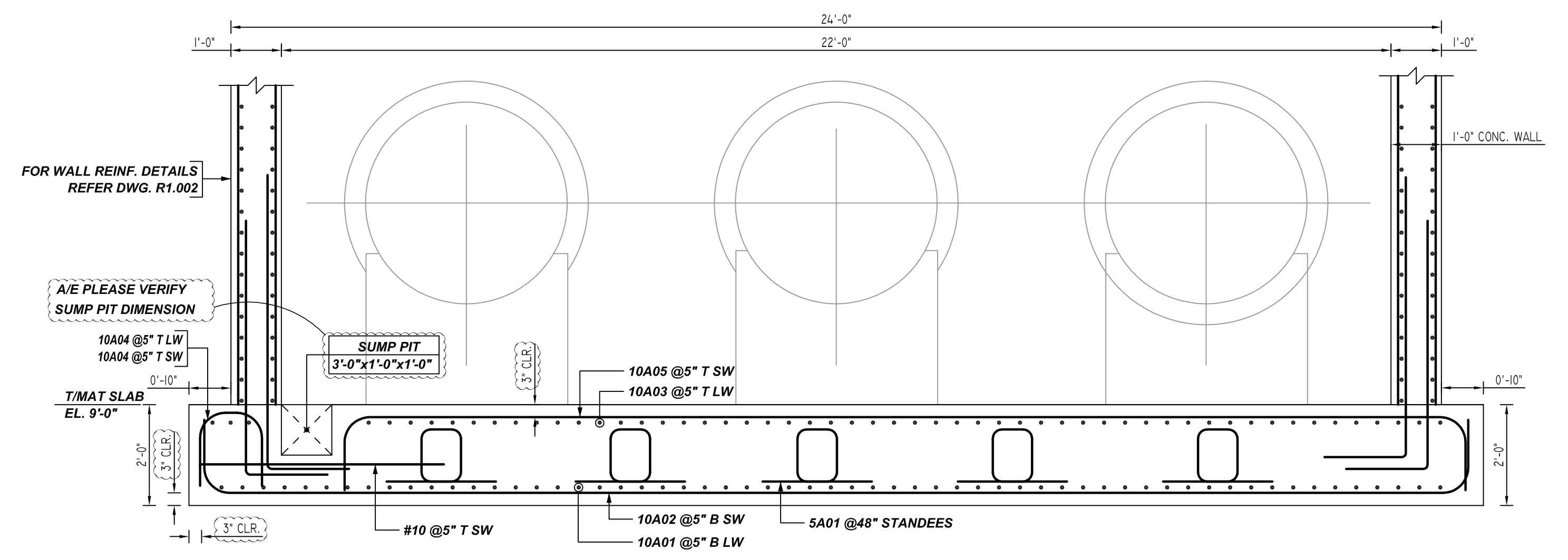
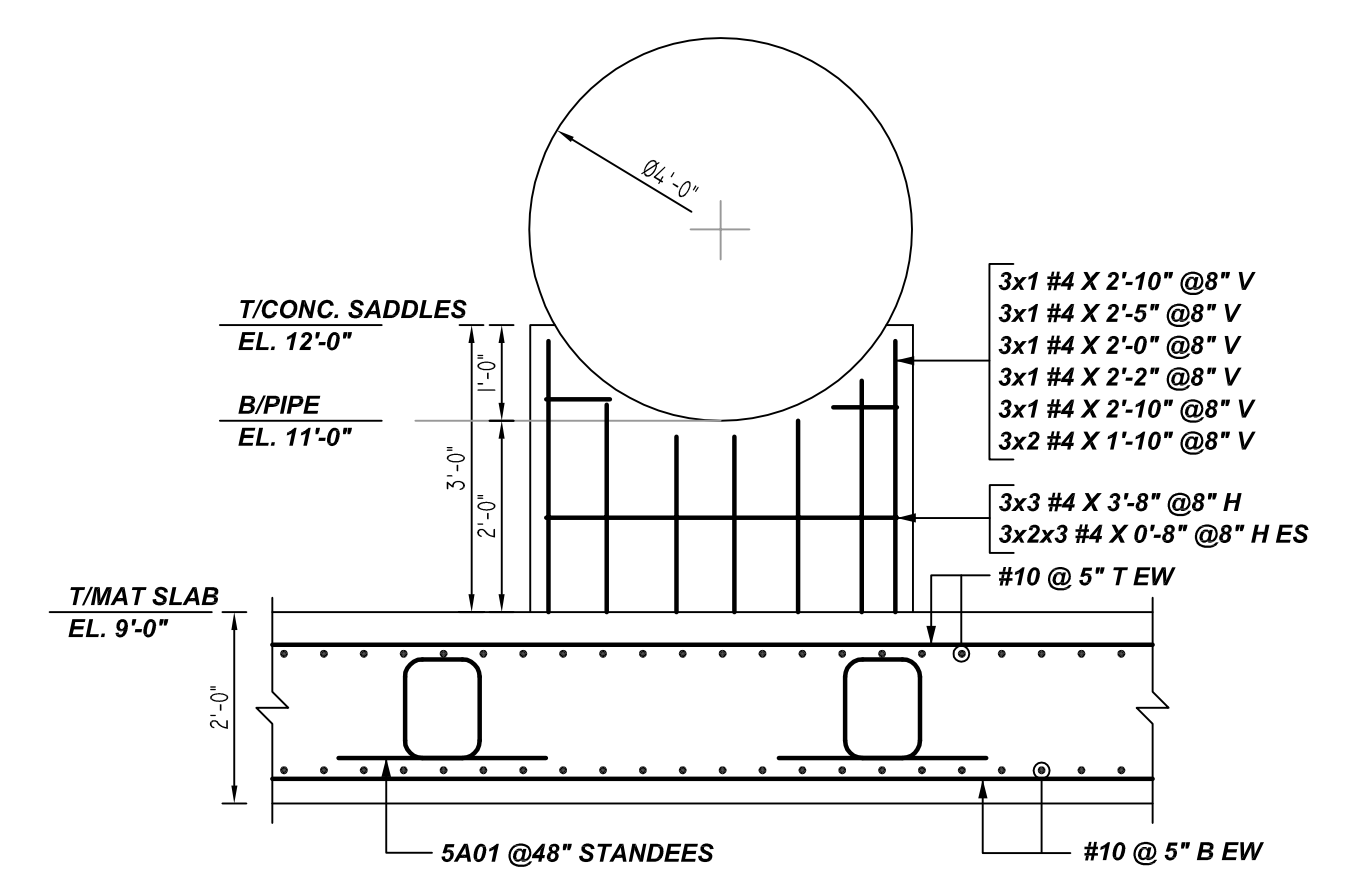


**1 SECTION**  
REF: S4 TO S6  
SCALE: 1/2" = 1'-0"



**2 SECTION**  
REF: S4 TO S6  
SCALE: 1/2" = 1'-0"



**A DETAIL**  
REF: S8  
SCALE: 1/2" = 1'-0"  
@ 3 LOCATIONS

**METER VAULT MAT SLAB REINFORCEMENT DETAILS**  
REF: S4 TO S6  
SCALE: 1/2" = 1'-0"

A/E PLEASE VERIFY LAP VALUES (TYP.)

**LAP SCHEDULE**  
3000 PSI (CLASS-B) CASE - 1  
Per ACI 318 (12.2.2)

BAR#	LENGTHS	
	TOP	OTHERS
#3	2'-4"	1'-10"
#4	3'-1"	2'-5"
#5	3'-11"	3'-0"
#6	4'-8"	3'-7"
#7	6'-9"	5'-3"
#8	7'-9"	6'-0"
#9	8'-9"	6'-9"
#10	9'-10"	7'-7"
#11	10'-11"	8'-5"

A/E PLEASE VERIFY COVER DETAILS (TYP.)

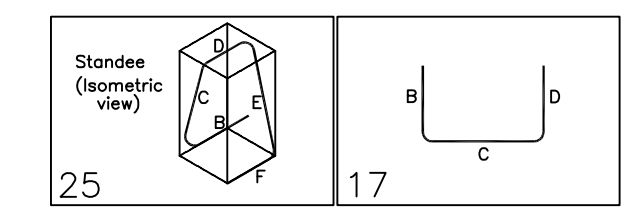
**TYPICAL REINFORCING BAR CLEARANCE TABLE**

LOCATION	MIN. COVER
MAT SLAB	3" CLR

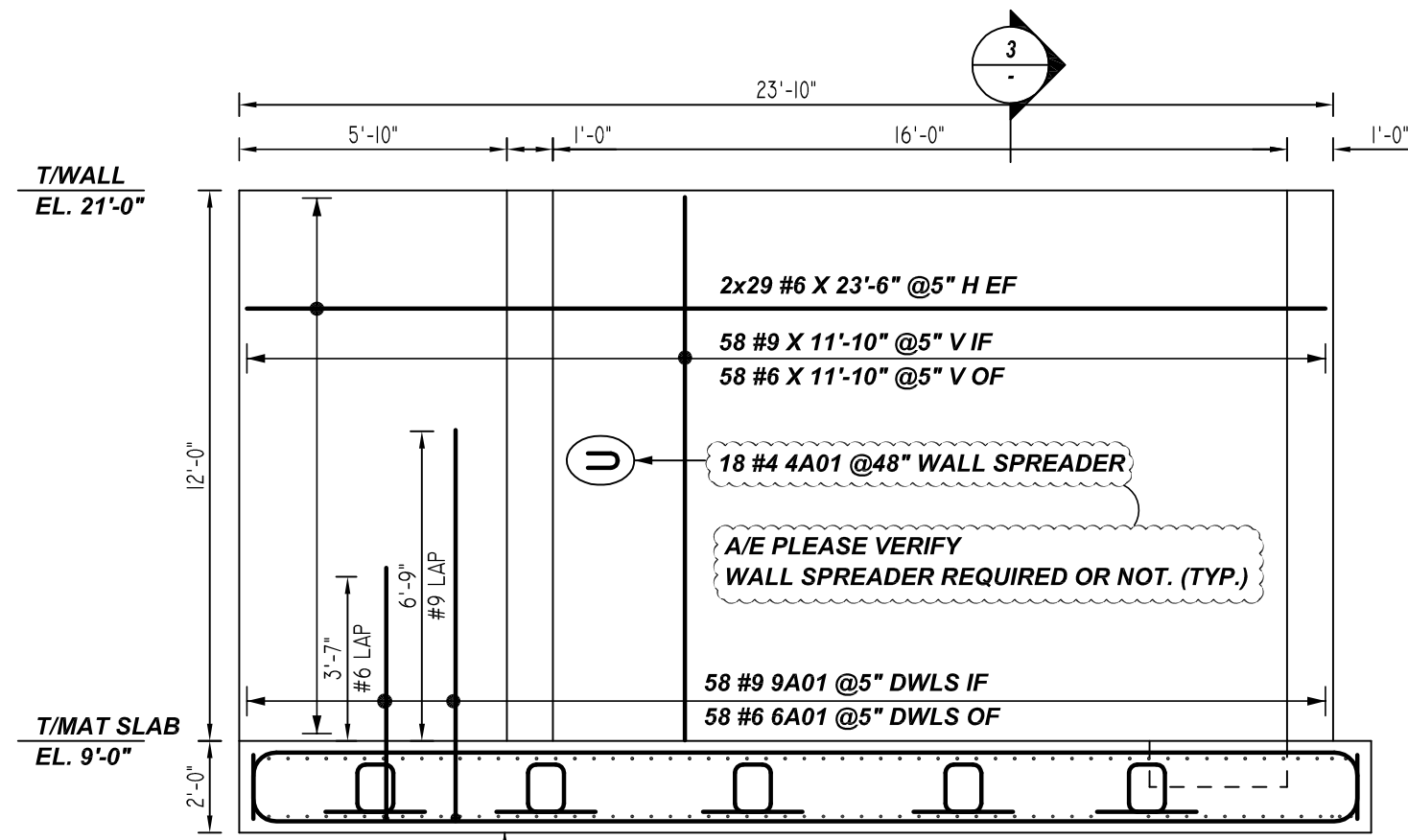
**ALL BARS IN THIS DRAWING  
ASTM A615 GRADE 60  
BLACK UNCOATED**

Release Number: R1.001

Bar Mark	Qty	Size	Total Length	Typ #	BENDING DETAILS													
					'A'	'B'	'C'	'D'	'E'	'F'	'G'	'H'	'J'	'K'	'L'	'R'		
5A01	40	#5	6'-0"	25	1'-6"	1'-11"	0'-10"	1'-11"	1'-6"									
10A01	12	#10	27'-2"	17	1'-6"	24'-2"	1'-6"											
10A02	11	#10	28'-2"	17	1'-6"	25'-2"	1'-6"											
10A03	3	#10	22'-4"	17	1'-6"	19'-4"	1'-6"											
10A04	10	#10	4'-4"	17	1'-6"	1'-4"	1'-6"											
10A05	7	#10	25'-4"	17	1'-6"	22'-4"	1'-6"											



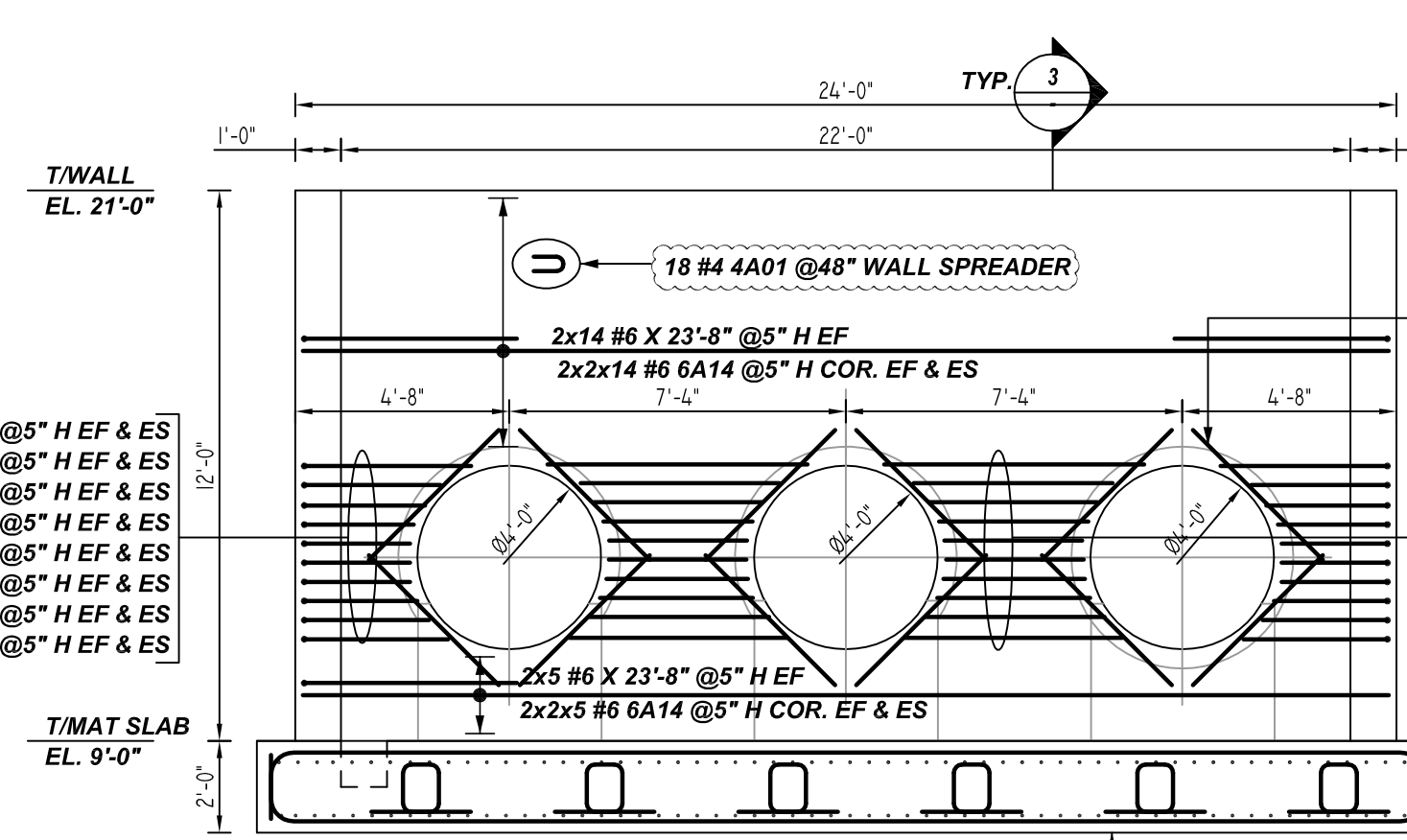
SUBMITTAL RECORD		PROJECT INFORMATION		DRAWING
DATE: 11/16/21	FOR: APPROVAL	CUSTOMER: ALCO	JOB #: 615	
DATE: -	FOR: -	JOB NAME: LUNA EXION INTAKE PROJECT	DETAILER: BCS	
DATE: -	FOR: -	LOCATION: JEFFERSON COUNTY, TX	EMAIL: -	
DATE: -	FOR: -	DESCRIPTION: MAT SLAB REINFORCEMENT DETAILS	PHONE: -	
DATE: -	FOR: -			



12" THK. CONC. WALL

**A ELEVATION**

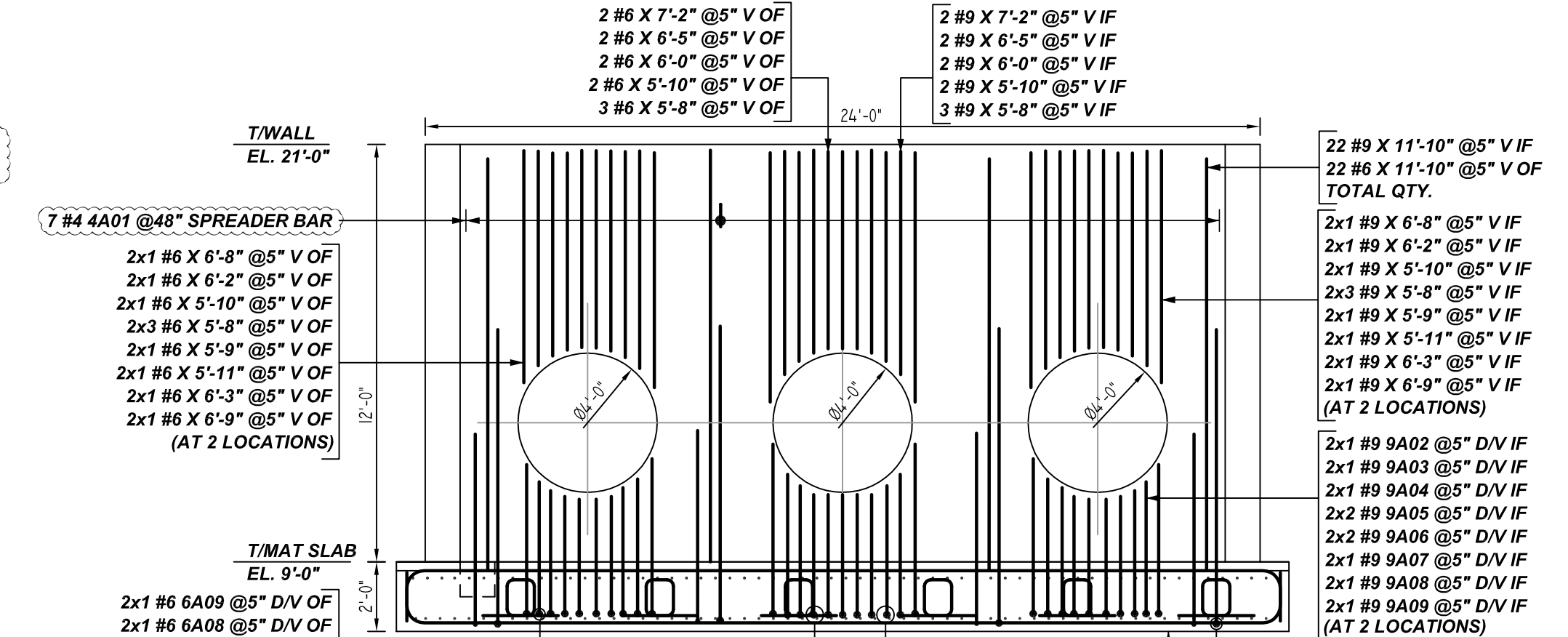
REF:S4 TO S6  
SCALE: 1/4" = 1'-0"



12" THK. CONC. WALL

**B ELEVATION**

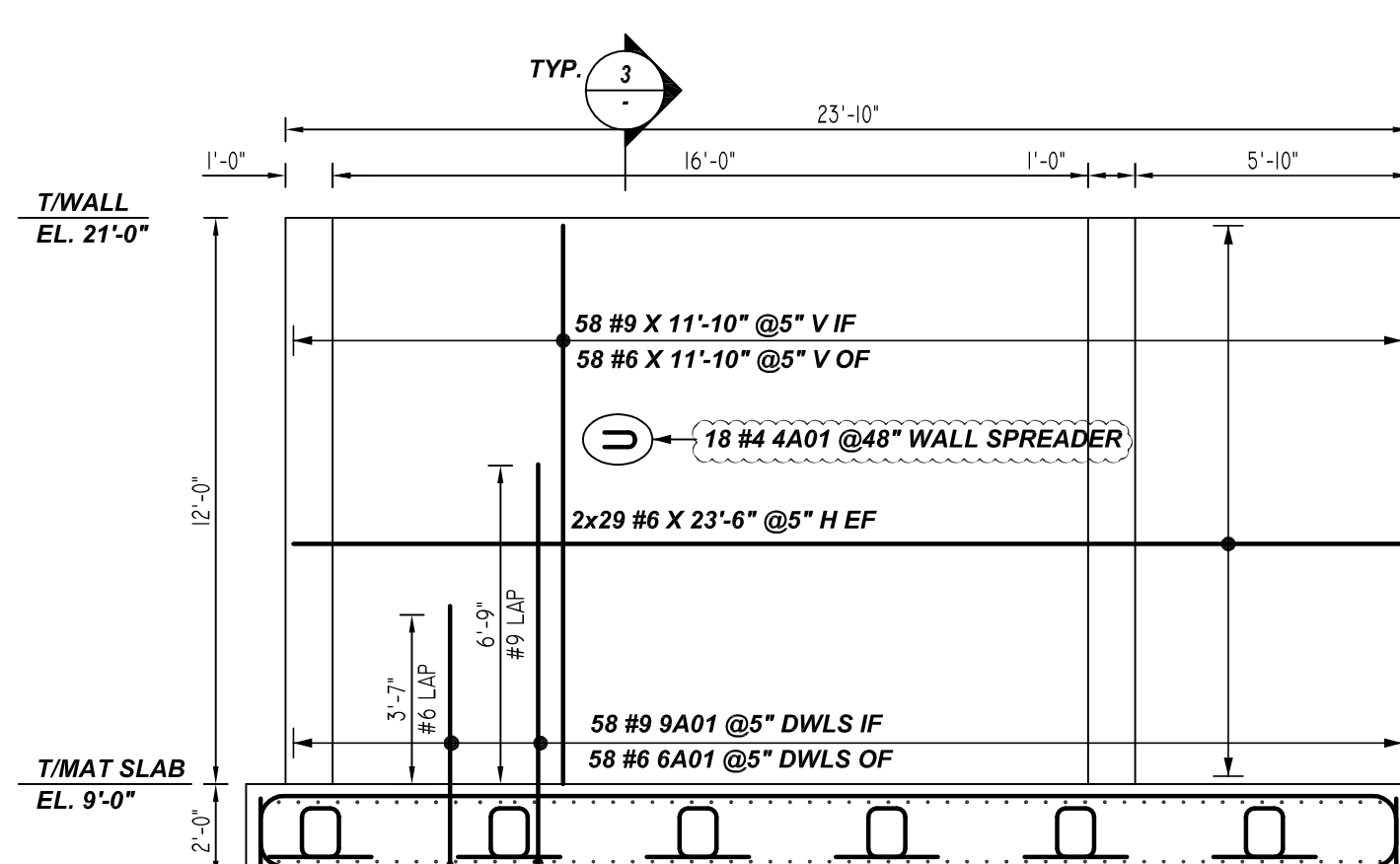
REF:S4 TO S6  
SCALE: 1/4" = 1'-0"



12" THK. CONC. WALL

**B ELEVATION**

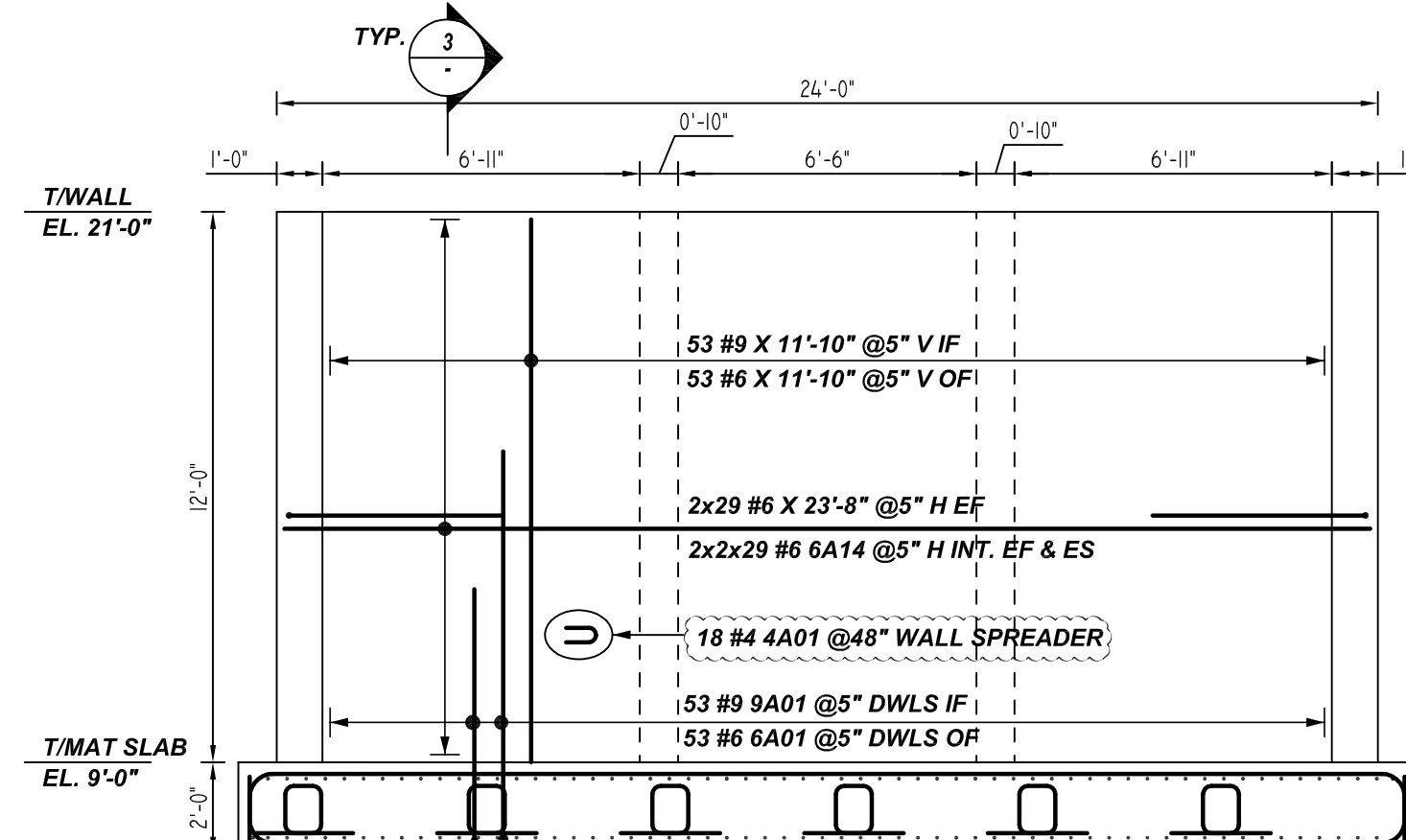
REF:S4 TO S6  
SCALE: 1/4" = 1'-0"



12" THK. CONC. WALL

**C ELEVATION**

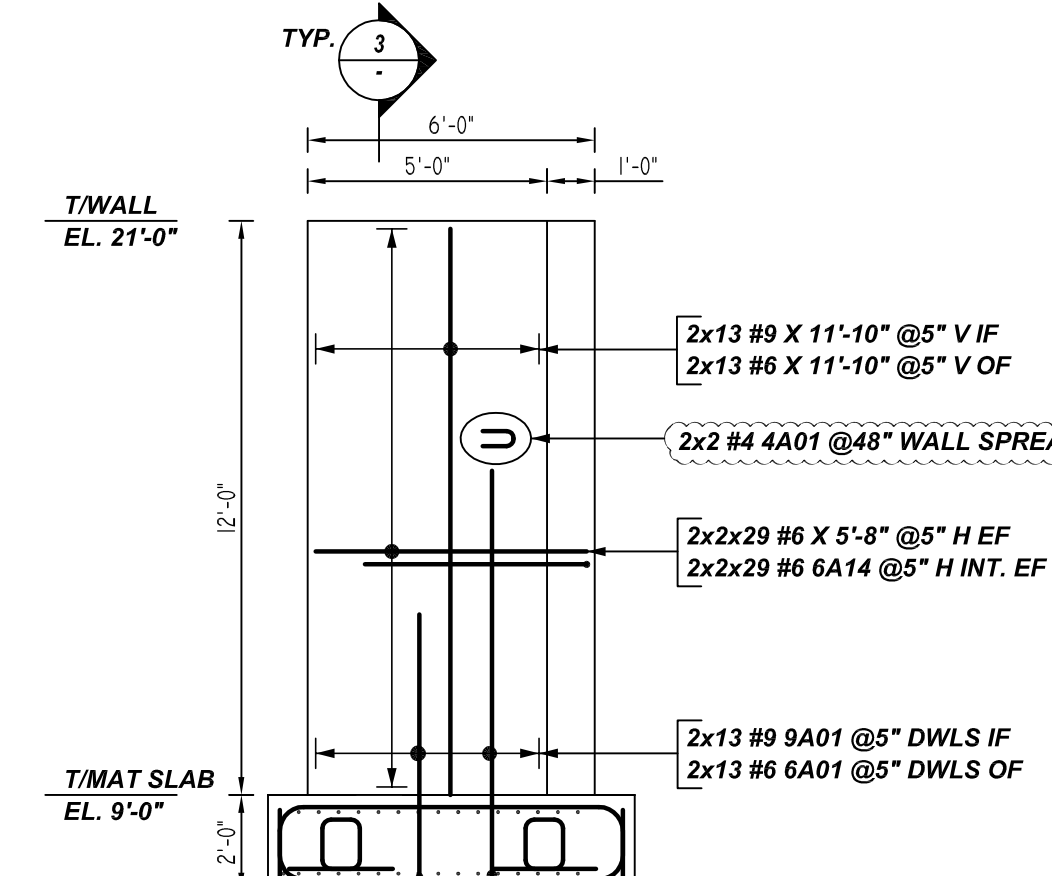
REF:S4 TO S6  
SCALE: 1/4" = 1'-0"



12" THK. CONC. WALL

**D ELEVATION**

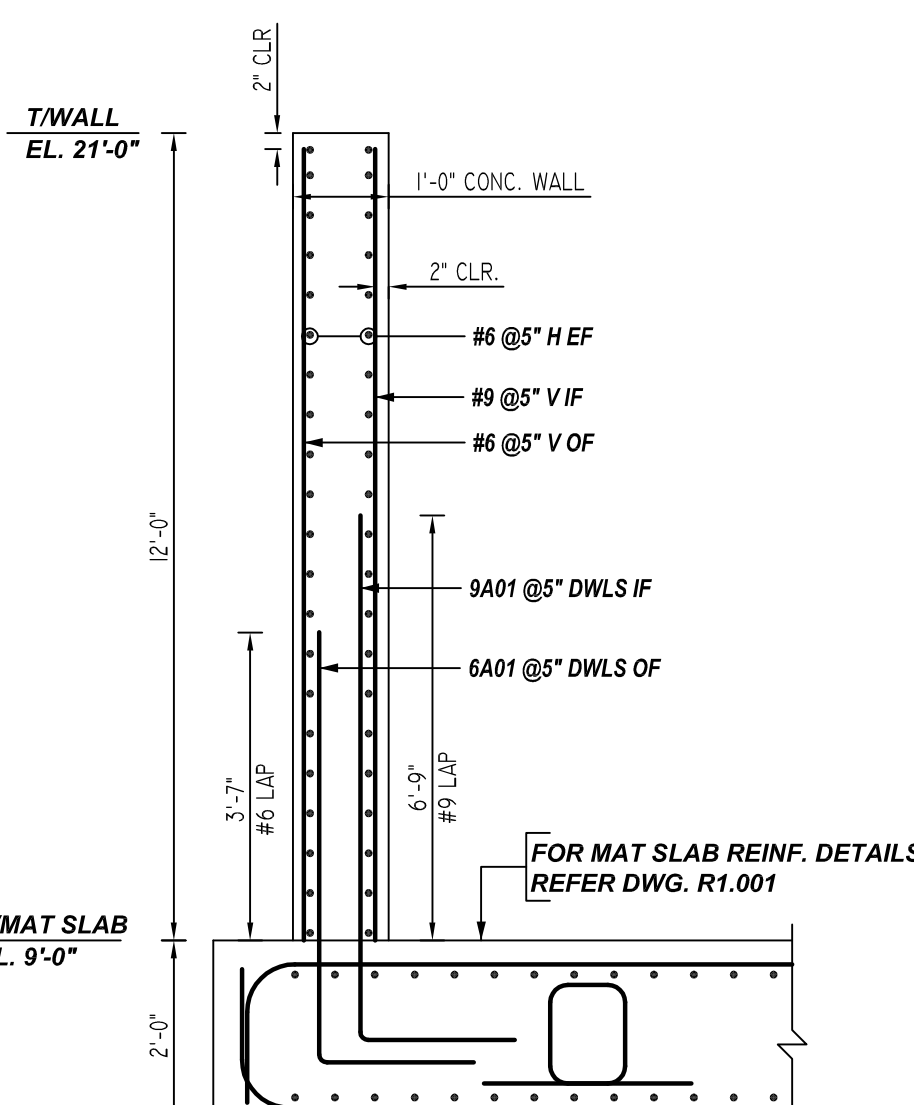
REF:S4 TO S6  
SCALE: 1/4" = 1'-0"



12" THK. CONC. WALL

**E ELEVATION**

REF:S4 TO S6  
SCALE: 1/4" = 1'-0"  
(REQ'D x 2 LOCATIONS)



A/E PLEASE VERIFY LAP VALUES (TYP.)

**LAP SCHEDULE**

3000 PSI (CLASS-B) CASE - 1  
Per ACI 318 (12.2.2)

BAR#	LENGTHS	
	TOP	OTHERS
#3	2'-4"	1'-10"
#4	3'-1"	2'-5"
#5	3'-11"	3'-0"
#6	4'-8"	3'-7"
#7	6'-9"	5'-3"
#8	7'-9"	6'-0"
#9	8'-9"	6'-9"
#10	9'-10"	7'-7"
#11	10'-11"	8'-5"

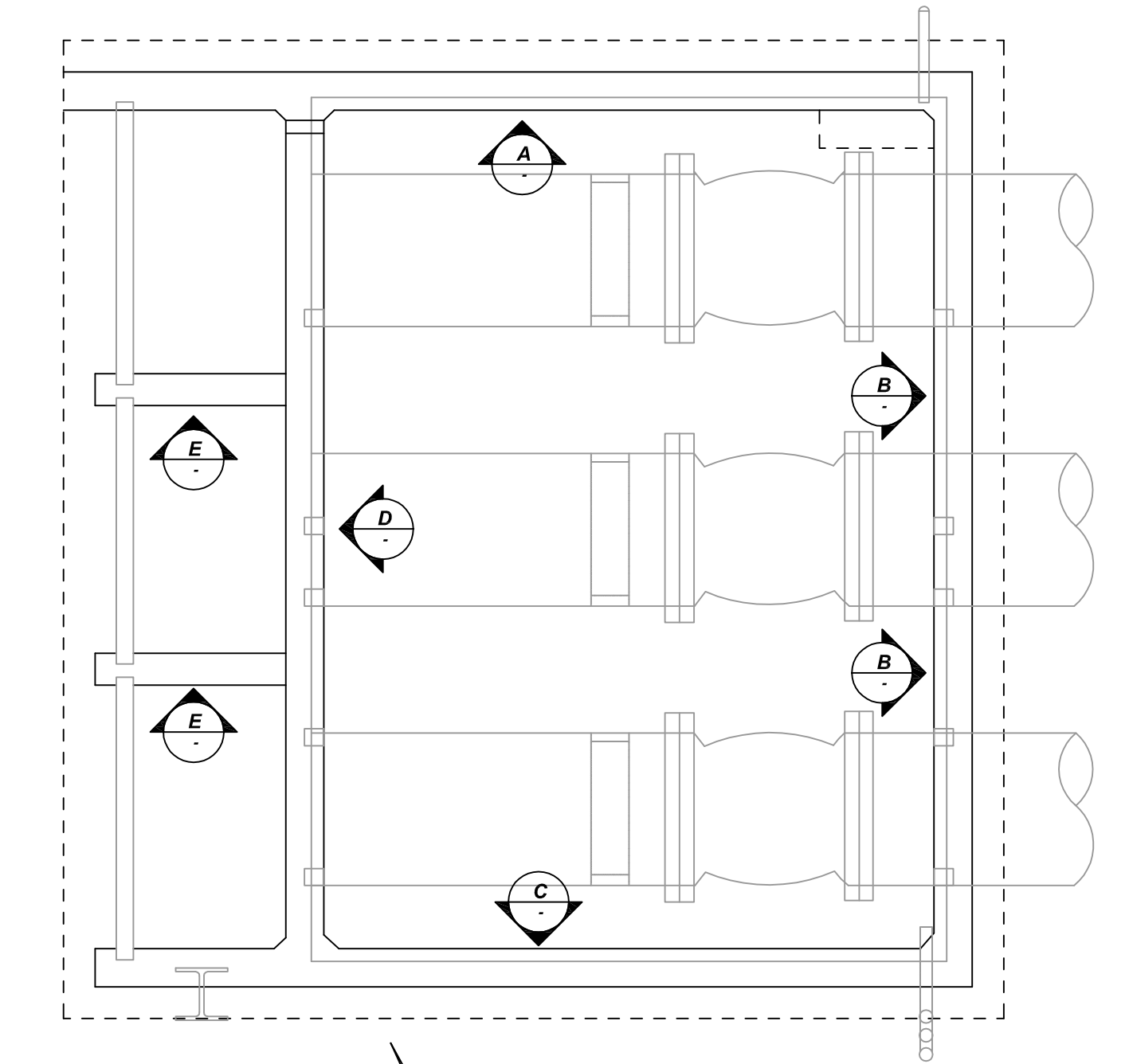
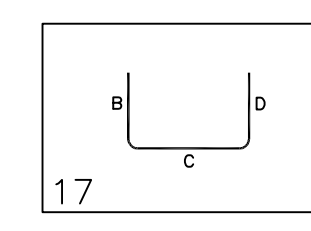
ALL TOP BARS ARE DEFINED AS HORIZ BARS WITH MORE THAN 12" OF CONCRETE BELOW BARS.

A/E PLEASE VERIFY COVER DETAILS (TYP.)

TYPICAL REINFORCING BAR CLEARANCE TABLE	
LOCATION	MIN. COVER
WALL TOP & SIDE	2" CLR

**ALL BARS IN THIS DRAWING  
ASTM A615 GRADE 60  
BLACK UNCOATED**

Release Number: R1.002		BENDING DETAILS															
Bar Mark	Qty	Size	Total Length	Typ	'A'	'B'	'C'	'D'	'E'	'F'	'G'	'H'	'I'	'J'	'K'	'L'	
4A01	83	#4	1'-8"	17		0'-8"	0'-4"	0'-8"									
6A01	217	#6	7'-0"	17		1'-6"	5'-6"										
6A02	2	#6	6'-0"	17		1'-6"	4'-6"										
6A03	2	#6	5'-5"	17		1'-6"	3'-11"										
6A04	2	#6	5'-2"	17		1'-6"	3'-8"										
6A05	4	#6	4'-10"	17		1'-6"	3'-4"										
6A06	4	#6	4'-11"	17		1'-6"	3'-5"										
6A07	2	#6	5'-11"	17		1'-6"	3'-7"										
6A08	2	#6	5'-4"	17		1'-6"	3'-10"										
6A09	2	#6	5'-10"	17		1'-6"	4'-4"										
6A10	2	#6	5'-7"	17		1'-6"	4'-1"										
6A11	2	#6	6'-5"	17		1'-6"	4'-11"										
6A12	5	#6	5'-4"	17		1'-6"	3'-8"										
6A13	2	#6	5'-3"	17		1'-6"	3'-9"										
6A14	308	#6	9'-4"	17		4'-8"	4'-8"										
6A15	4	#6	7'-8"	17		3'-0"	4'-8"										
6A16	4	#6	7'-4"	17		2'-8"	4'-8"										
6A17	4	#6	7'-1"	17		2'-5"	4'-8"										
6A18	12	#6	7'-0"	17		2'-4"	4'-8"										
6A19	4	#6	7'-2"	17		2'-5"	4'-8"										
6A20	4	#6	7'-5"	17		2'-9"	4'-8"										
6A21	4	#6	7'-10"	17		3'-2"	4'-8"										
6A22	4	#6	8'-4"	17		3'-8"	4'-8"										
9A01	217	#9	10'-0"	17		1'-6"	8'-6"										
9A02	2	#9	5'-10"	17		1'-6"	4'-4"										
9A03	2	#9	5'-4"	17		1'-6"	3'-10"										
9A04	2	#9	5'-11"	17		1'-6"	3'-7"										
9A05	4	#9	4'-11"	17		1'-6"	3'-5"										
9A06	4	#9	4'-10"	17		1'-6"	3'-4"										
9A07	2	#9	5'-2"	17		1'-6"	3'-8"										
9A08	2	#9	5'-5"	17		1'-6"	3'-11"										
9A09	2	#9	6'-0"	17		1'-6"	4'-5"										
9A10	2	#9	5'-7"	17		1'-6"	4'-2"										
9A11	2	#9	6'-5"	17		1'-6"	4'-11"										
9A12	2	#9	5'-3"	17		1'-6"	3'-9"										
9A13	5	#9	5'-0"	17		1'-6"	3'-6"										



**KEY PLAN**

REF:S4 TO S6  
SCALE: NTS

SUBMITTAL RECORD		PROJECT INFORMATION		DRAWING
DATE: 11/26/21	FOR: APPROVAL	CUSTOMER: ALCO	JOB #:	675
DATE: -	FOR: -	JOB NAME: UNVA EXION INTAKE PROJECT	DETAILER: BCS	
DATE: -	FOR: -	LOCATION: JEFFERSON COUNTY, TX	PHONE: -	
DATE: -	FOR: -	DESCRIPTION: FOUNDATION WALL REINFORCEMENT DETAILS		

R1.002



