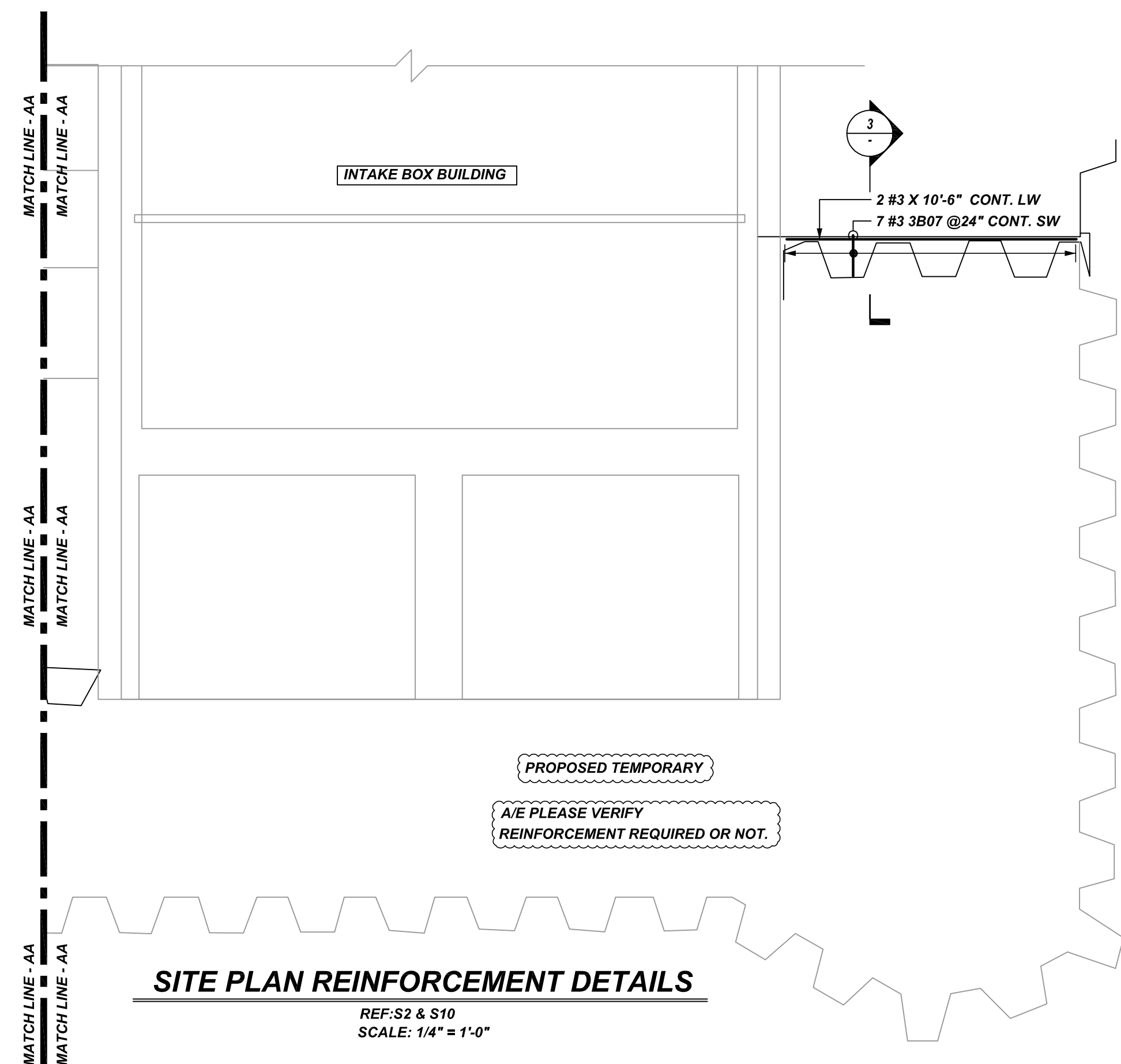


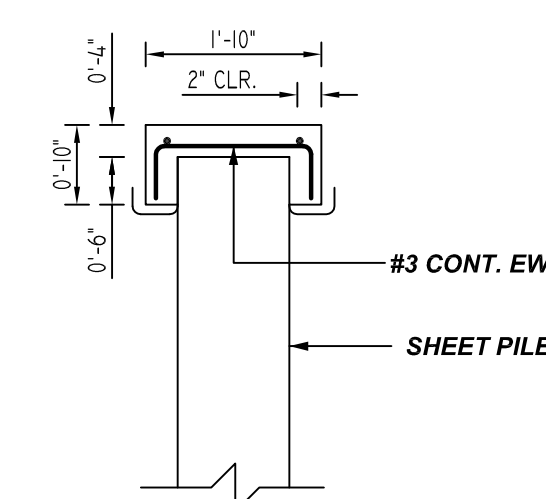
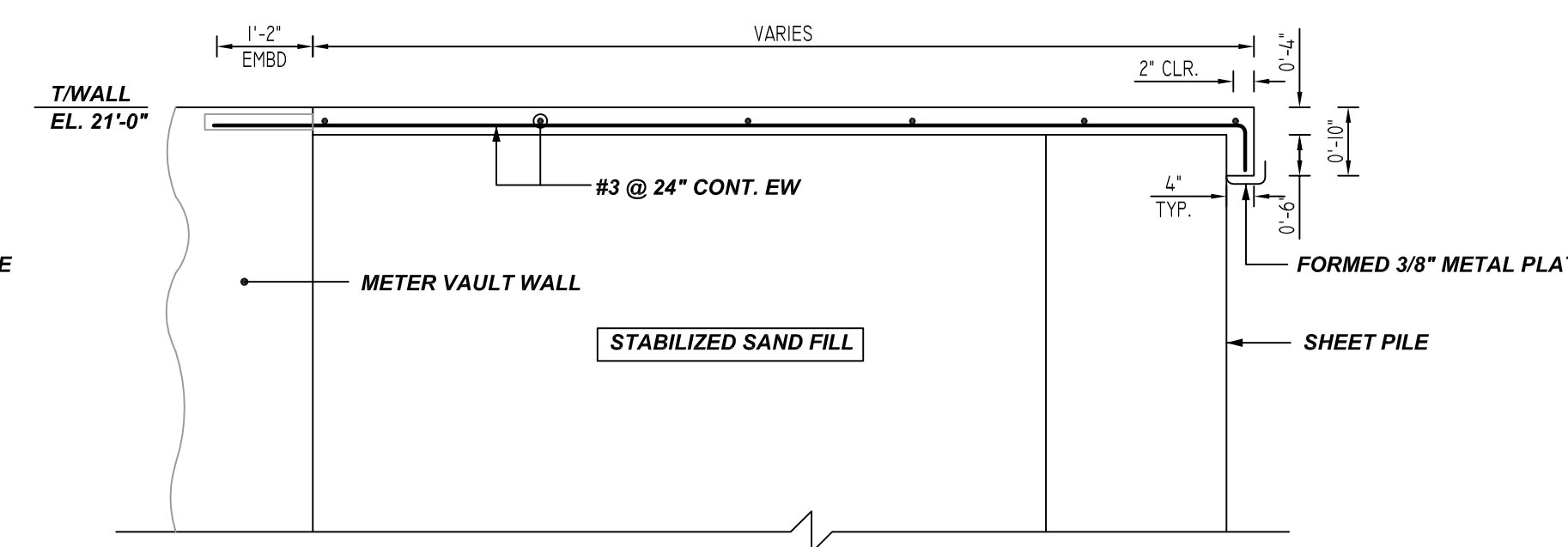
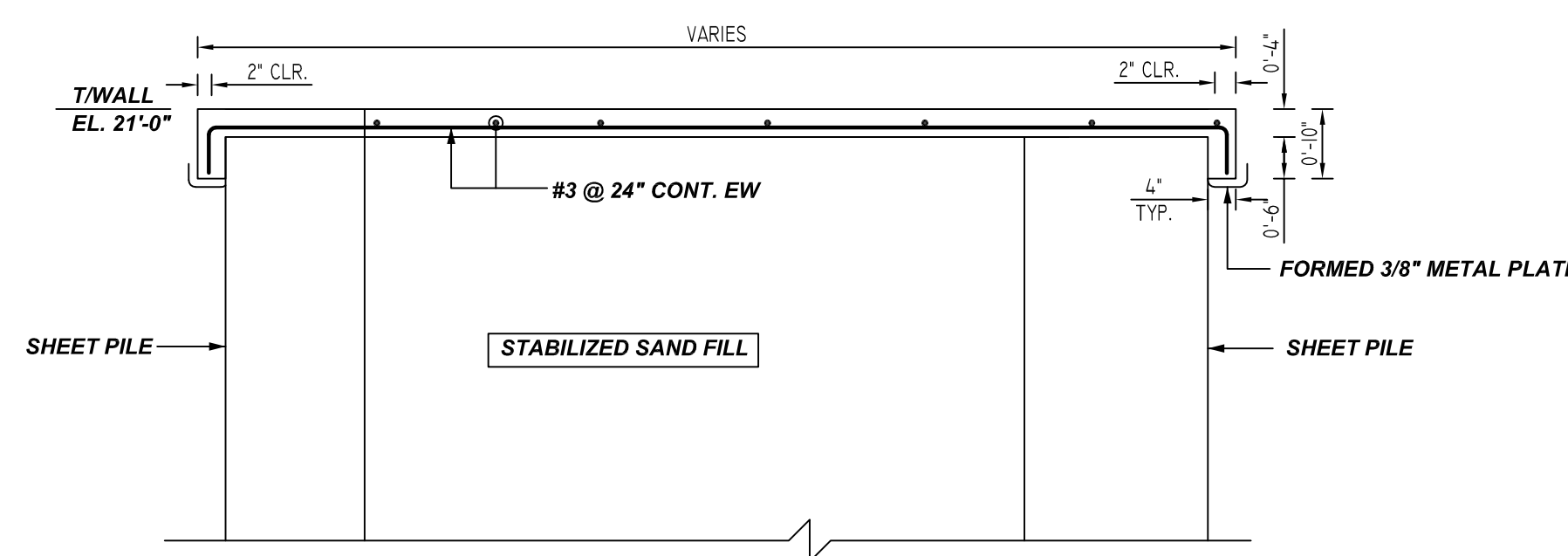
**SITE PLAN REINFORCEMENT DETAILS**

REF: S2 & S10  
 SCALE: 1/4" = 1'-0"



**SITE PLAN REINFORCEMENT DETAILS**

REF: S2 & S10  
 SCALE: 1/4" = 1'-0"



A/E PLEASE VERIFY LAP VALUES (TYP.)

**LAP SCHEDULE**

3000 PSI (CLASS-B) CASE - 1  
 Per ACI 318 (12.2.2)

BAR#	LENGTHS	
	TOP	OTHERS
#3	2'-4"	1'-10"
#4	3'-1"	2'-5"
#5	3'-11"	3'-0"
#6	4'-8"	3'-7"
#7	6'-9"	5'-3"
#8	7'-9"	6'-0"
#9	8'-9"	6'-9"
#10	9'-10"	7'-7"
#11	10'-11"	8'-5"

ALL TOP BARS ARE DEFINED AS HORIZ BARS WITH MORE THAN 12" OF CONCRETE BELOW BARS.

A/E PLEASE VERIFY COVER DETAILS (TYP.)

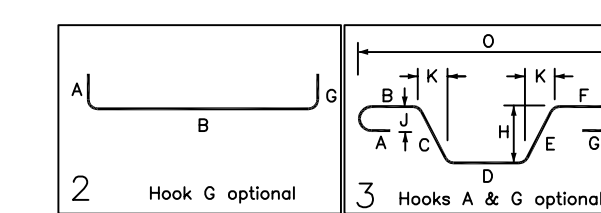
**TYPICAL REINFORCING BAR CLEARANCE TABLE**

LOCATION	MIN. COVER
SLAB	2" CLR

**ALL BARS IN THIS DRAWING  
 ASTM A615 GRADE 60  
 BLACK UNCOATED**

Release Number: R1.004

Bar Mark	Qty	Size	Total Length	Typ	'A'	'B'	'C'	'D'	'E'	'F'	'G'	'H'	'J'	'K'	'L'	'M'
3B01	3	#3	7'-11"	2	0'-6"	6'-7"										
3B02	3	#3	7'-4"	2	0'-6"	6'-10"										
3B03	3	#3	7'-8"	2	0'-6"	7'-2"										
3B04	3	#3	6'-10"	2	0'-6"	6'-4"										
3B05	17	#3	5'-5"	2	0'-6"	4'-5"				0'-6"						
3B06	19	#3	6'-2"	2	0'-6"	5'-2"				0'-6"						
3B07	24	#3	2'-6"	2	0'-6"	1'-6"				0'-6"						
3B08	4	#3	3'-11"	3	2'-0"	1'-11"				1'-0"		1'-8"		3'-8"		



SUBMITTAL RECORD		PROJECT INFORMATION		DRAWING
DATE: 11/26/21	FOR: APPROVAL	CUSTOMER: ALCO	JOB #: 615	R1.005
DATE: -	FOR: -	JOB NAME: LUNA EXION INTAKE PROJECT	DETAILER: BCS	
DATE: -	FOR: -	LOCATION: JEFFERSON COUNTY, TX	PHONE: -	
DATE: -	FOR: -	DESCRIPTION: SITE PLAN REINFORCEMENT DETAILS		
DATE: -	FOR: -			