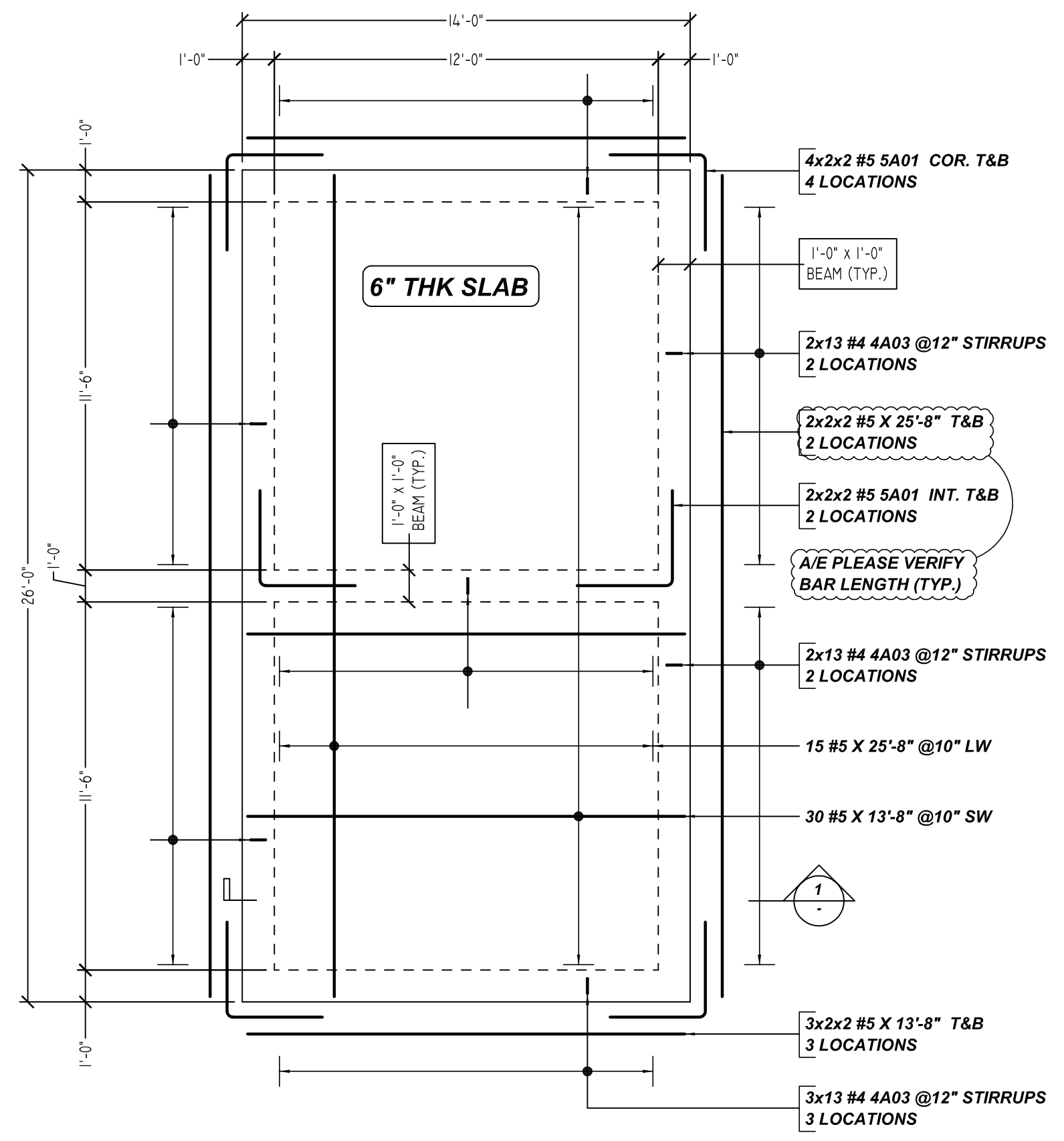


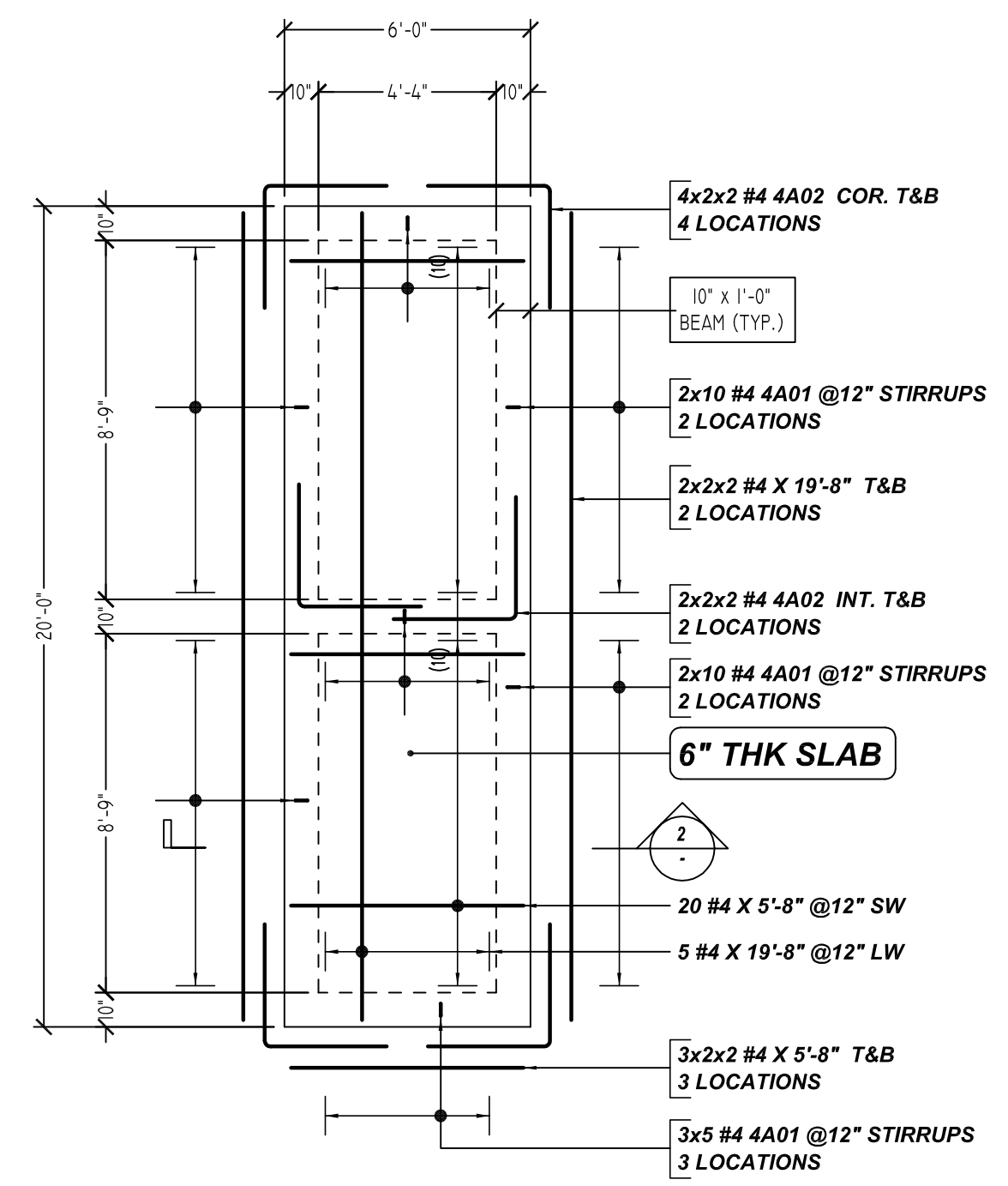
SITE WORK REINFORCEMENT DETAILS
 SCALE - 1/12"=1'-0"
 REF: SHEET 08 OF 29



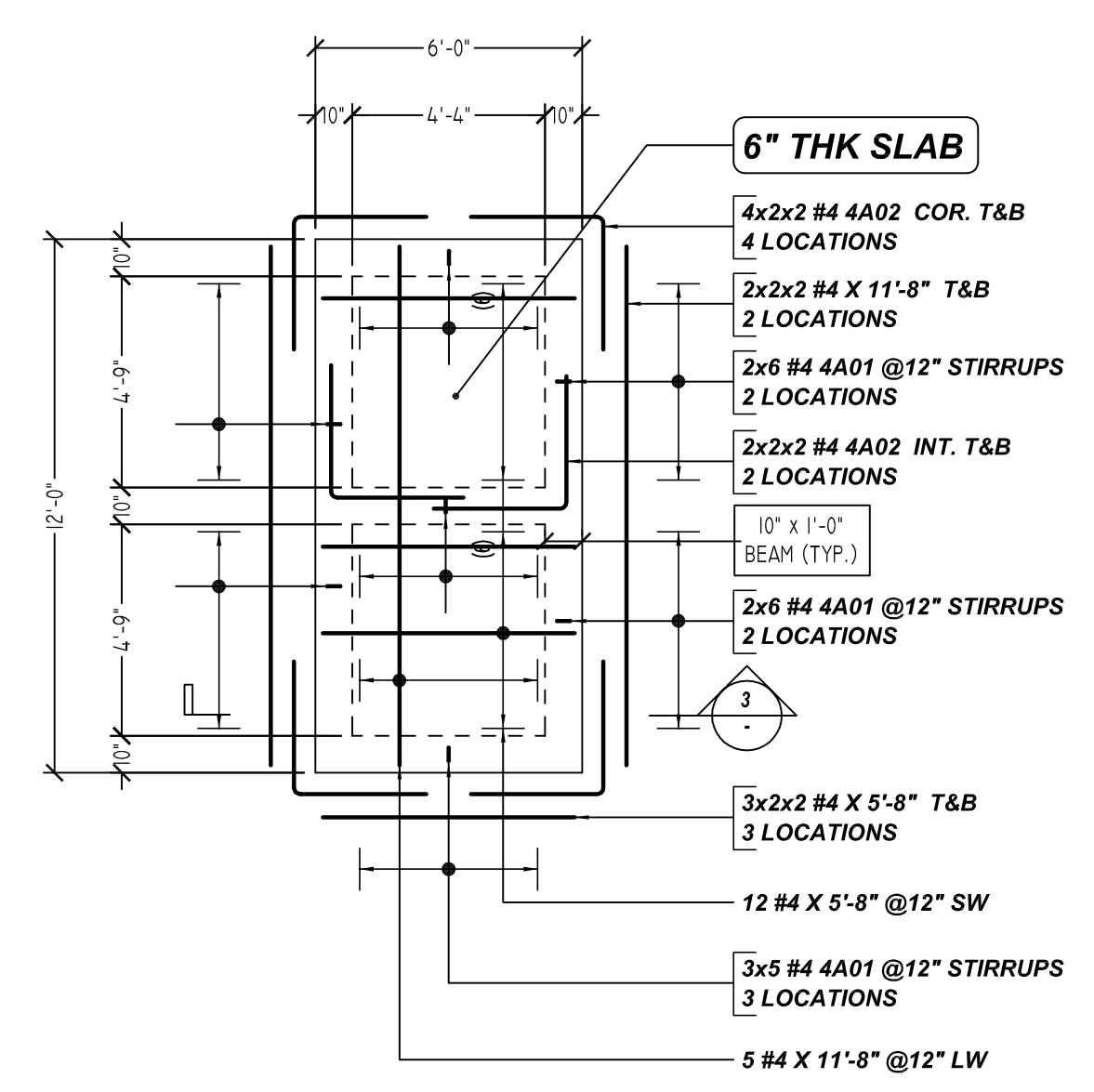
SUBMITTAL RECORD		PROJECT INFORMATION		DRAWING
DATE: 09/21/2021	FOR: APPROVAL	CUSTOMER: ALCO	JOB # 726	R1.001
DATE: -	FOR: -	JOB NAME: HANNAHER WWTP	DETAILER: BCS	
DATE: -	FOR: -	LOCATION: TX	PHONE: -	
DATE: -	FOR: -	DESCRIPTION: SITE WORK REINFORCEMENT DETAILS		
DATE: -	FOR: -			



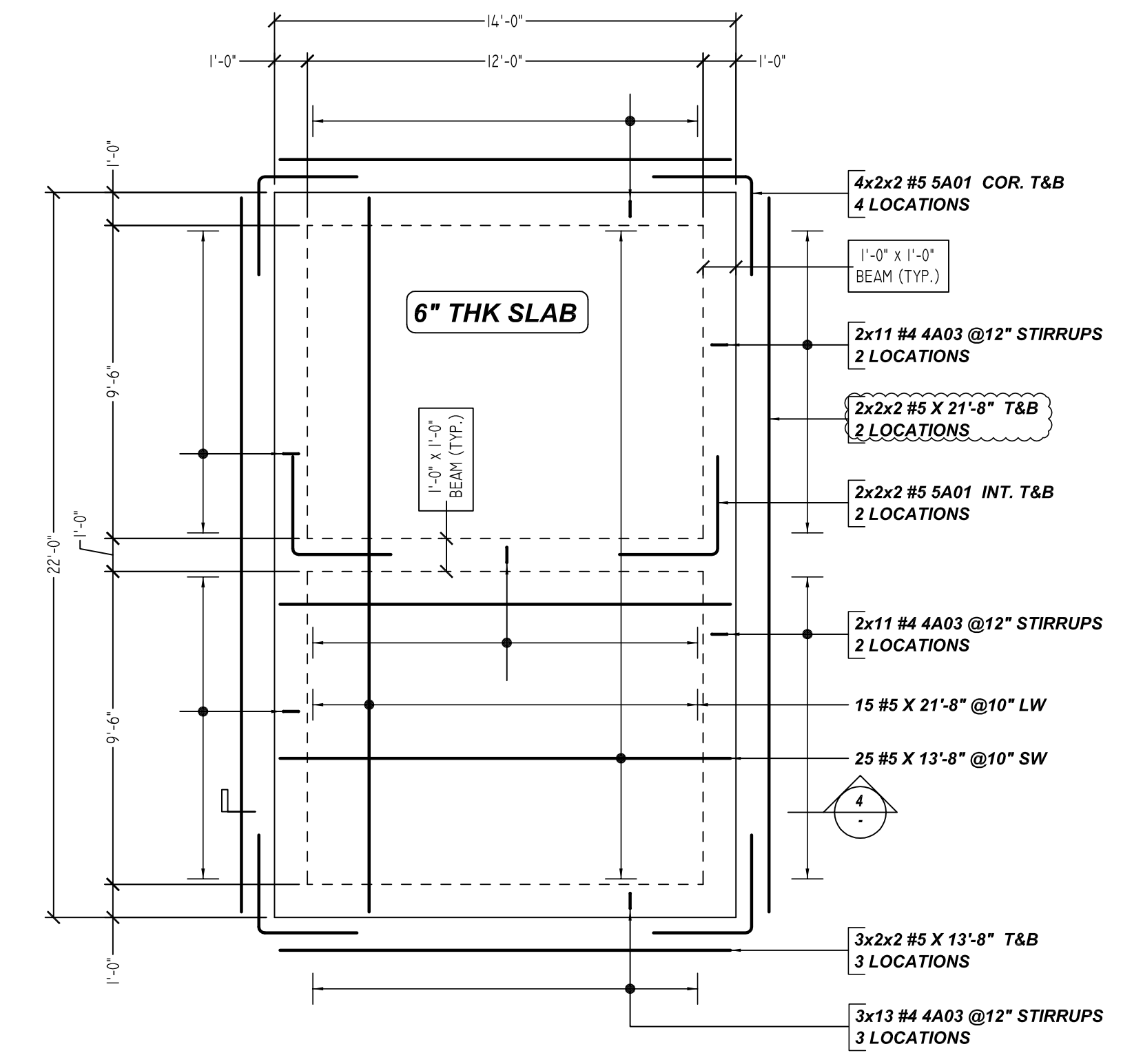
GENERATOR SLAB REINFORCEMENT DETAILS
SCALE - 1/4"=1'-0"
REF: SHEET-13 OF 29



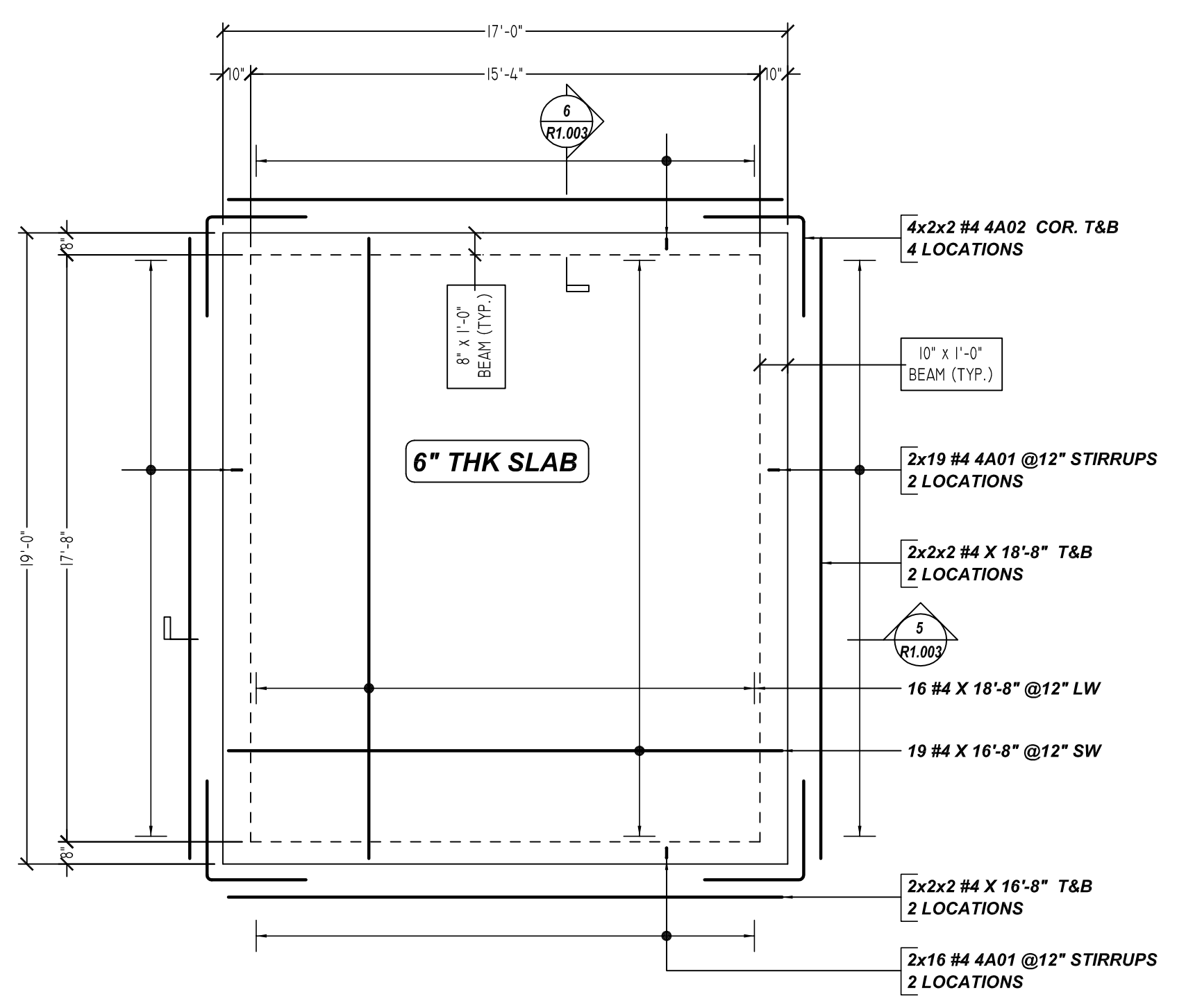
CONTROL PANEL SLAB REINFORCEMENT DETAILS
SCALE - 1/4"=1'-0"
REF: SHEET-13 OF 29



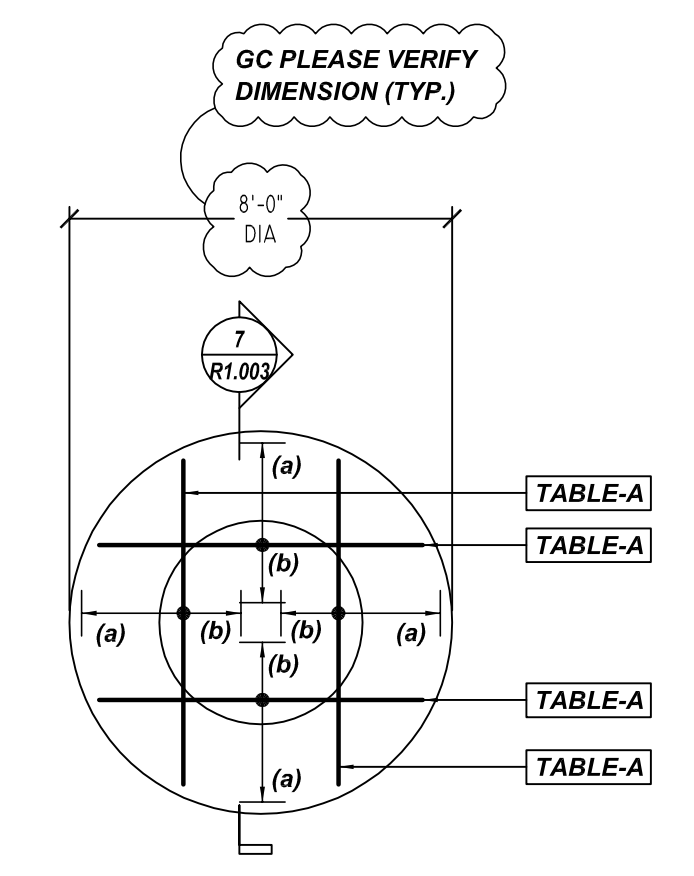
ELECTRICAL SERVICE RACK SLAB REINFORCEMENT DETAILS
SCALE - 1/4"=1'-0"
REF: SHEET-13 OF 29



BLOWER SLAB REINFORCEMENT DETAILS
SCALE - 1/4"=1'-0"
REF: SHEET-14 OF 29

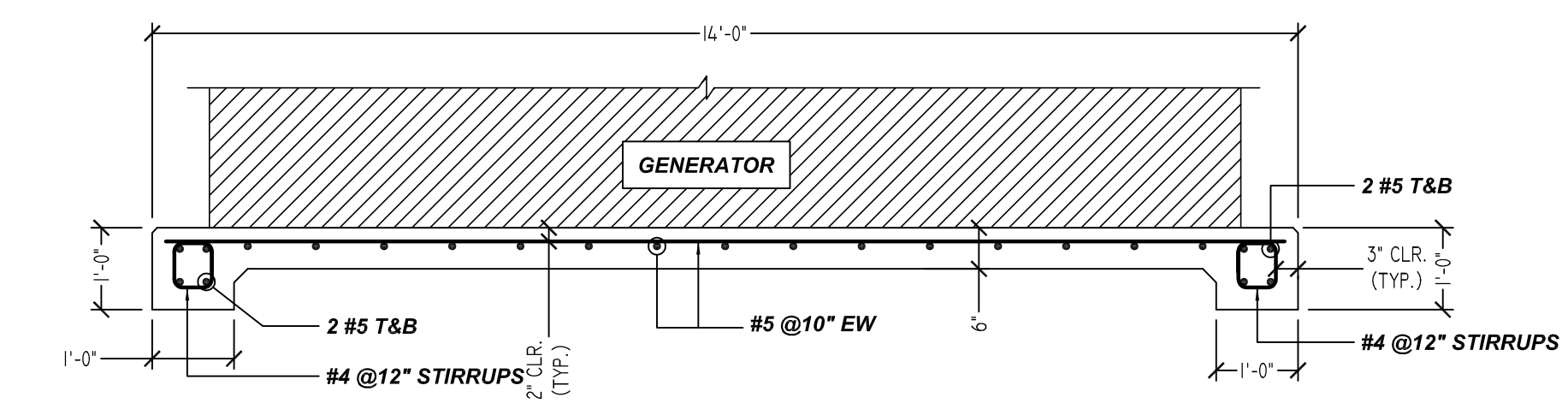


CHLORINE SLAB REINFORCEMENT DETAILS
SCALE - 1/4"=1'-0"
REF: SHEET-14 OF 29

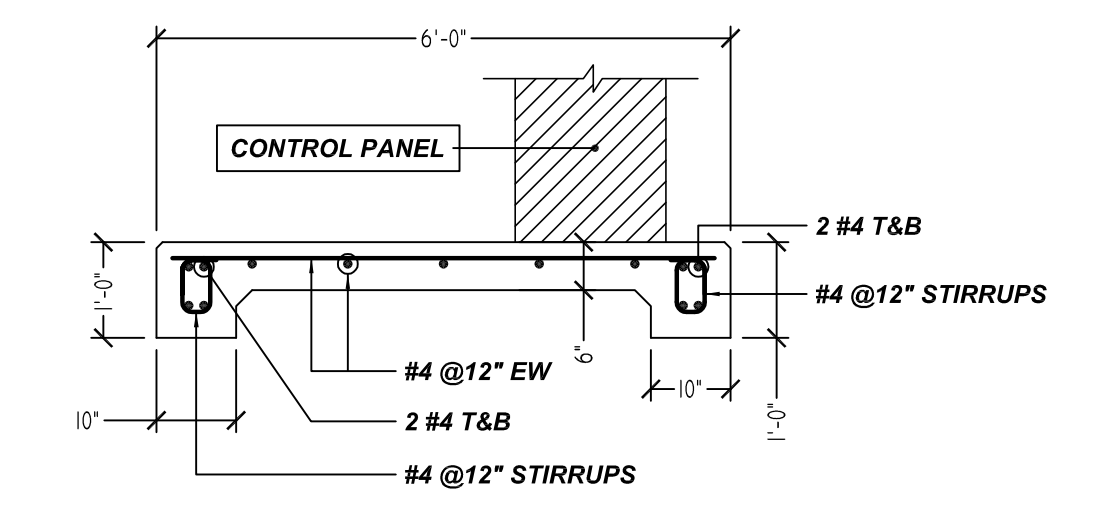


FIBERGLASS SHALLOW MANHOLE REINFORCEMENT DETAILS
SCALE - 1/4"=1'-0"
REF: 18 OF 29

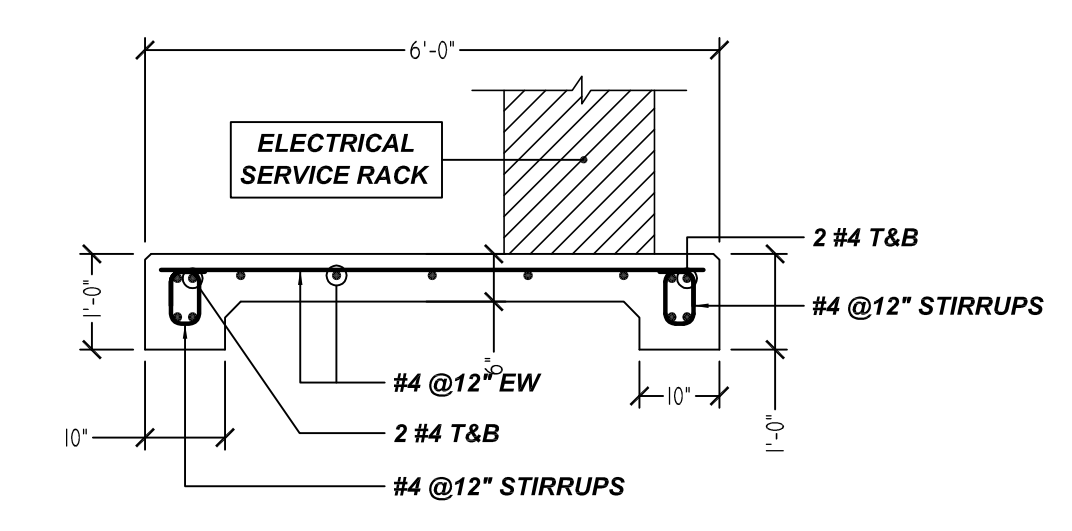
TABLE-A (4 LOCATION)	
4x1 #5 X 2'-2" @10"	(a)
4x1 #5 X 4'-8" @10"	(a)
4x1 #5 X 6'-2" @10"	(b)
4x1 #5 X 7'-0" @10"	(b)
4x1 #5 X 7'-5" @10"	(b)



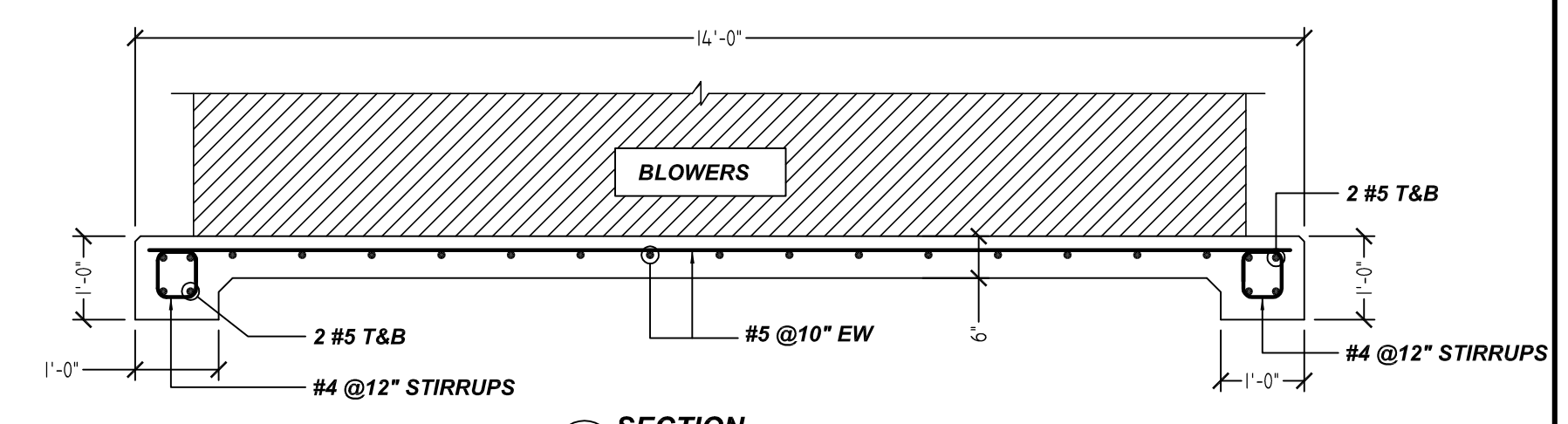
1 SECTION
SCALE - 1/2"=1'-0"
REF: SHEET-13 OF 29



2 SECTION
SCALE - 1/2"=1'-0"
REF: SHEET-13 OF 29

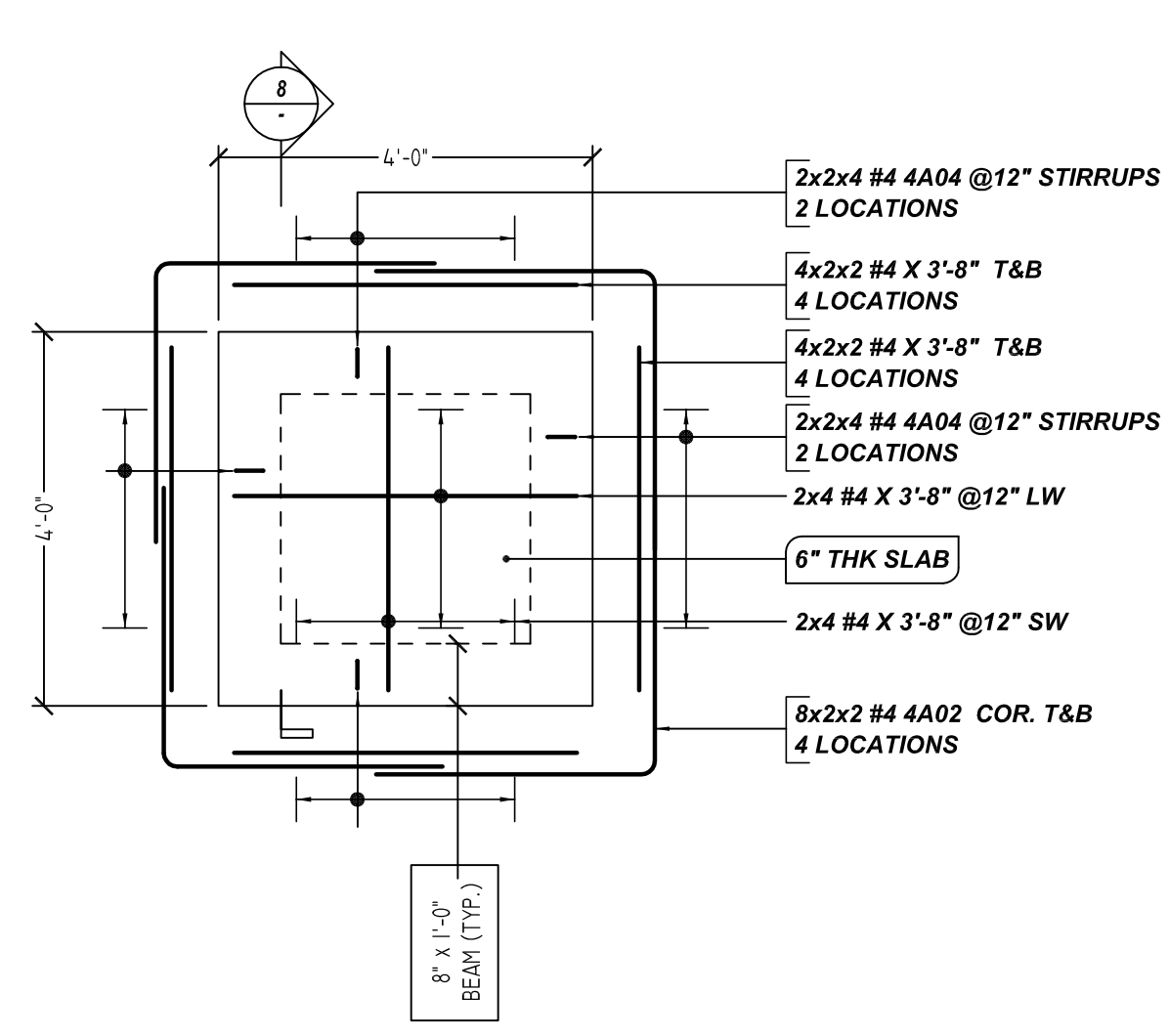


3 SECTION
SCALE - 1/2"=1'-0"
REF: SHEET-13 OF 29

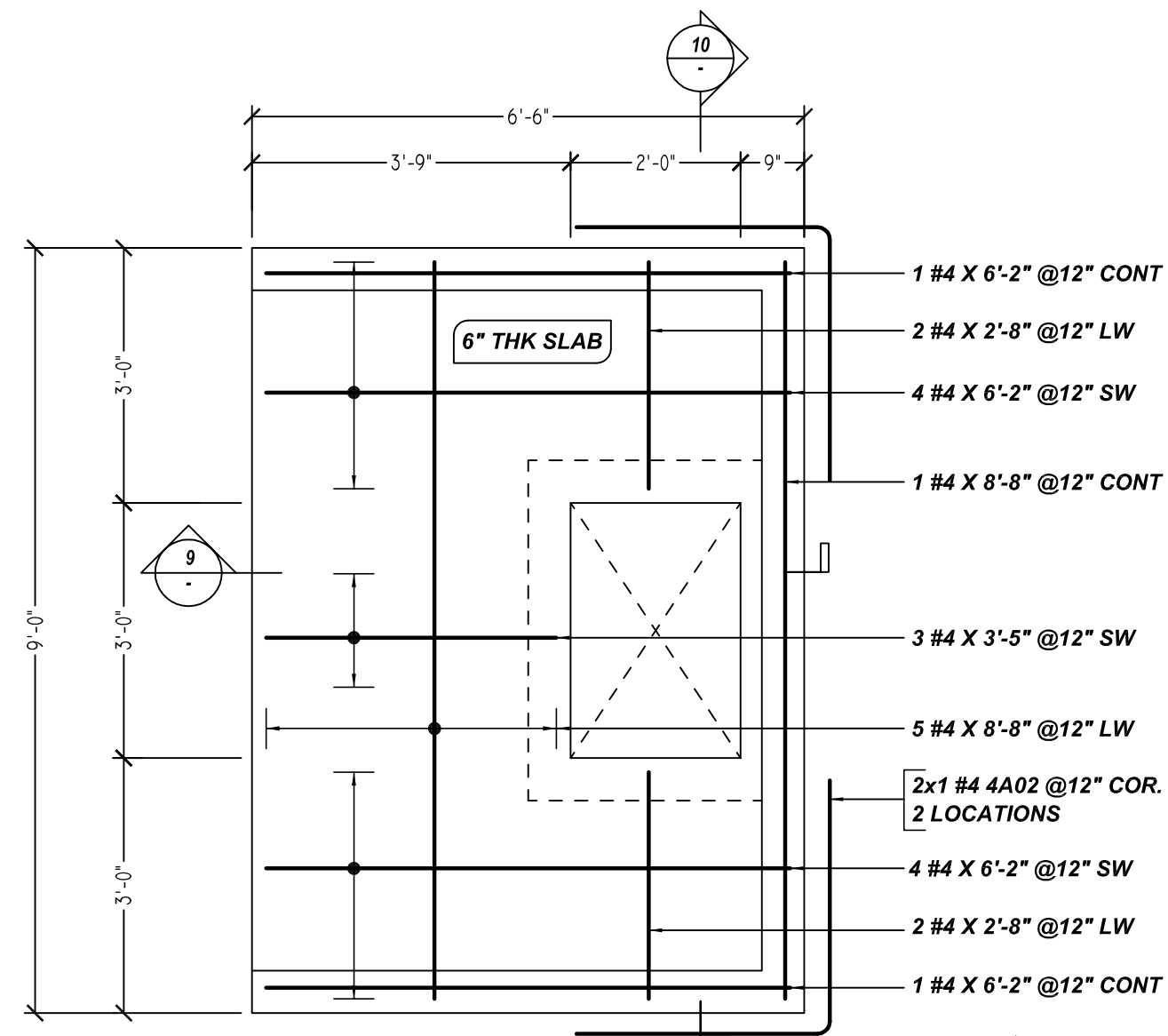


4 SECTION
SCALE - 1/2"=1'-0"
REF: SHEET-14 OF 29

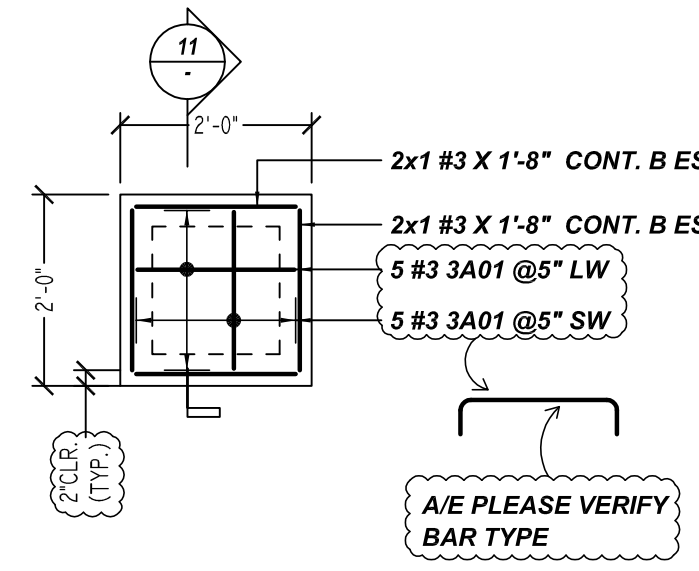
SUBMITTAL RECORD		PROJECT INFORMATION		DRAWING
DATE: 09/21/2021	FOR: APPROVAL	CUSTOMER: ALLOD	JOB #: 726	
DATE: -	FOR: -	JOB NAME: HANNAHER MWIP	DETAILER: ECS	
DATE: -	FOR: -	LOCATION: TX	PHONE: -	
DATE: -	FOR: -	DESCRIPTION: SITE WORK REINFORCEMENT DETAILS		
DATE: -	FOR: -			



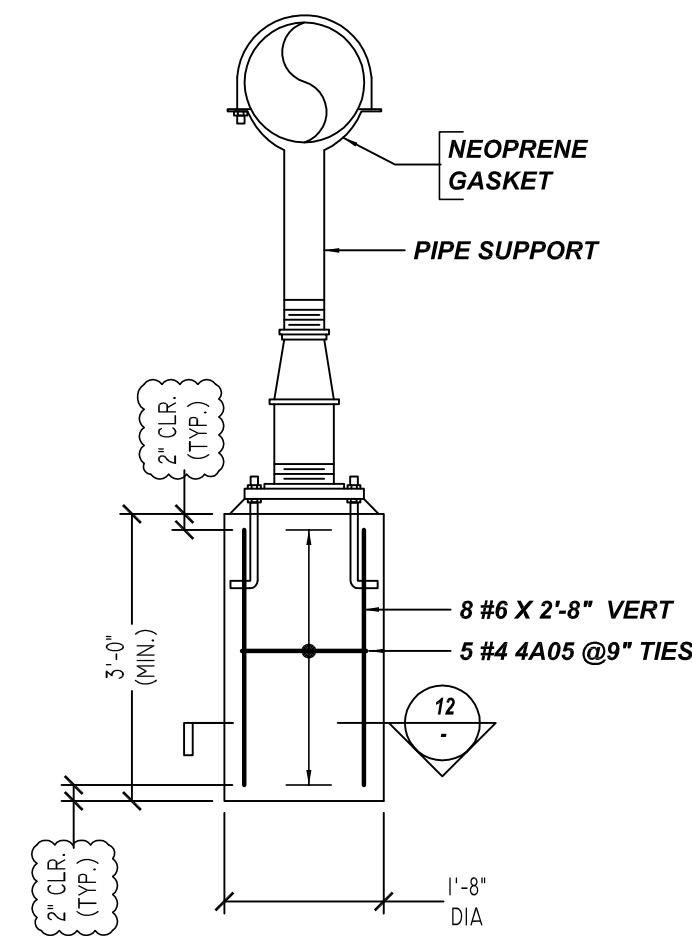
2 LOCATIONS
STAIR LANDING SLAB REINFORCEMENT DETAILS
 SCALE - 1/2"=1'-0"
 REF: A/15 OF 29



PROPOSED SUMP PUMP REINFORCEMENT DETAILS
 SCALE - 1/2"=1'-0"
 REF: A-A/15 OF 29

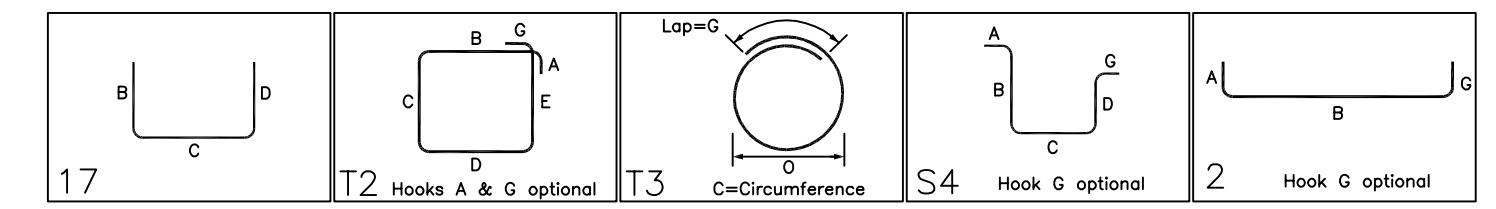


SLUDGE STATION REINFORCEMENT DETAILS
 SCALE - 1/2"=1'-0"
 REF: A-A/18 OF 29



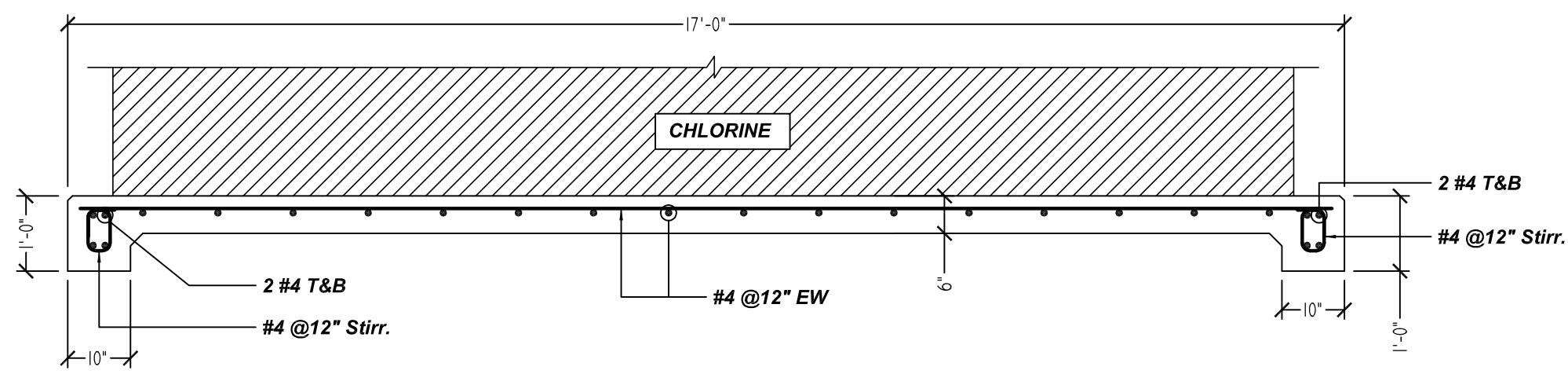
PIPE SUPPORT
 SCALE - 1/2"=1'-0"
 REF: 20 OF 29

Bar Mark	Qty	Size	Total Length	Type	BENDING DETAILS													
					X	Y	Z	Y'	Z'	Y''	Z''	Y'''	Z'''	Y''''	Z''''			
3A01	10	#3	2'-5"	T1														
4A01	154	#4	2'-7"	T2	0'-4 1/2"	0'-7"	0'-4"	0'-7"	0'-4"	0'-7"	0'-4"	0'-7"	0'-4"	0'-7"	0'-4"	0'-7"	0'-4"	0'-7"
4A02	98	#4	6'-0"	T2	3'-0"	3'-0"	3'-0"	3'-0"	3'-0"	3'-0"	3'-0"	3'-0"	3'-0"	3'-0"	3'-0"	3'-0"	3'-0"	3'-0"
4A03	174	#4	2'-11"	T2	0'-4 1/2"	0'-7"	0'-4"	0'-7"	0'-4"	0'-7"	0'-4"	0'-7"	0'-4"	0'-7"	0'-4"	0'-7"	0'-4"	0'-7"
4A04	32	#4	2'-7"	T2	0'-4 1/2"	0'-7"	0'-4"	0'-7"	0'-4"	0'-7"	0'-4"	0'-7"	0'-4"	0'-7"	0'-4"	0'-7"	0'-4"	0'-7"
4A05	5	#4	5'-10 1/2"	T3														
4A06	4	#4	8'-10"	S4	1'-0"	2'-8 1/2"	2'-8 1/2"	2'-7"	2'-8 1/2"	2'-8 1/2"	2'-8 1/2"	2'-8 1/2"	2'-8 1/2"	2'-8 1/2"	2'-8 1/2"	2'-8 1/2"	2'-8 1/2"	2'-8 1/2"
4A07	4	#4	9'-1 1/2"	S4	1'-0"	2'-8 1/2"	2'-8 1/2"	2'-8 1/2"	2'-8 1/2"	2'-8 1/2"	2'-8 1/2"	2'-8 1/2"	2'-8 1/2"	2'-8 1/2"	2'-8 1/2"	2'-8 1/2"	2'-8 1/2"	2'-8 1/2"
4A08	8	#4	9'-0"	T2														
4A09	20	#4	1'-4"	T2	0'-8"	0'-5"	0'-5"	3'-4"	2'-8"									
5A01	48	#5	6'-0"	T2	3'-0"	3'-0"	3'-0"	3'-0"	3'-0"	3'-0"	3'-0"	3'-0"	3'-0"	3'-0"	3'-0"	3'-0"	3'-0"	3'-0"

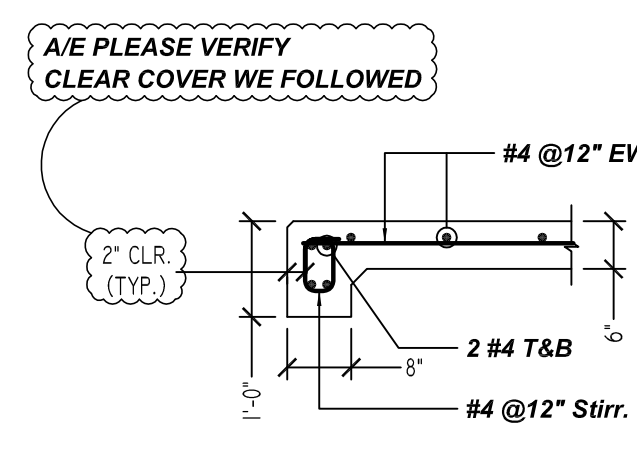


S. NO	ELEMENT	DESCRIPTION	PCS	LFT/AREA	REMARK
1	GENERATOR PAD 6" THK SLAB	2 3/4" IHC	25 EACH	364 SQ.FT	FOR BAR SUPPORT (@ BOTTOM)
2	CONTROL PANEL 6" THK SLAB	3" IHC	10 EACH	120 SQ.FT	FOR BAR SUPPORT (@ BOTTOM)
3	ELECTRICAL SERVICE RACK 6" THK SLAB	3" IHC	5 EACH	72 SQ.FT	FOR BAR SUPPORT (@ BOTTOM)
4	BLOWER 6" THK SLAB	2 3/4" IHC	20 EACH	308 SQ.FT	FOR BAR SUPPORT (@ BOTTOM)
5	CHLORINE 6" THK SLAB	3" IHC	22 EACH	323 SQ.FT	FOR BAR SUPPORT (@ BOTTOM)
6	6" STAIR LANDING SLAB	3" IHC	8 EACH	-	FOR BAR SUPPORT (@ BOTTOM)
7	6" PROPOSED SUMP PUMP	3" IHC	4 EACH	-	FOR BAR SUPPORT (@ BOTTOM)
8	4" SLUDGE STATION PLAN	1 3/4" BAR CHAIR	4 EACH	-	FOR BAR SUPPORT (@ BOTTOM)
9	PIPE SUPPORT	2" SLEDS	6 EACH	-	FOR BAR SUPPORT (@ BOTTOM)
10	PIPE SUPPORT	2" BOLSTER	3 EACH	-	FOR BAR SUPPORT (@ BOTTOM)
11	12" FIBERGLASS SHALLOW MANHOLE	5 1/2" IHC	4 EACH	-	FOR BAR SUPPORT (@ BOTTOM)

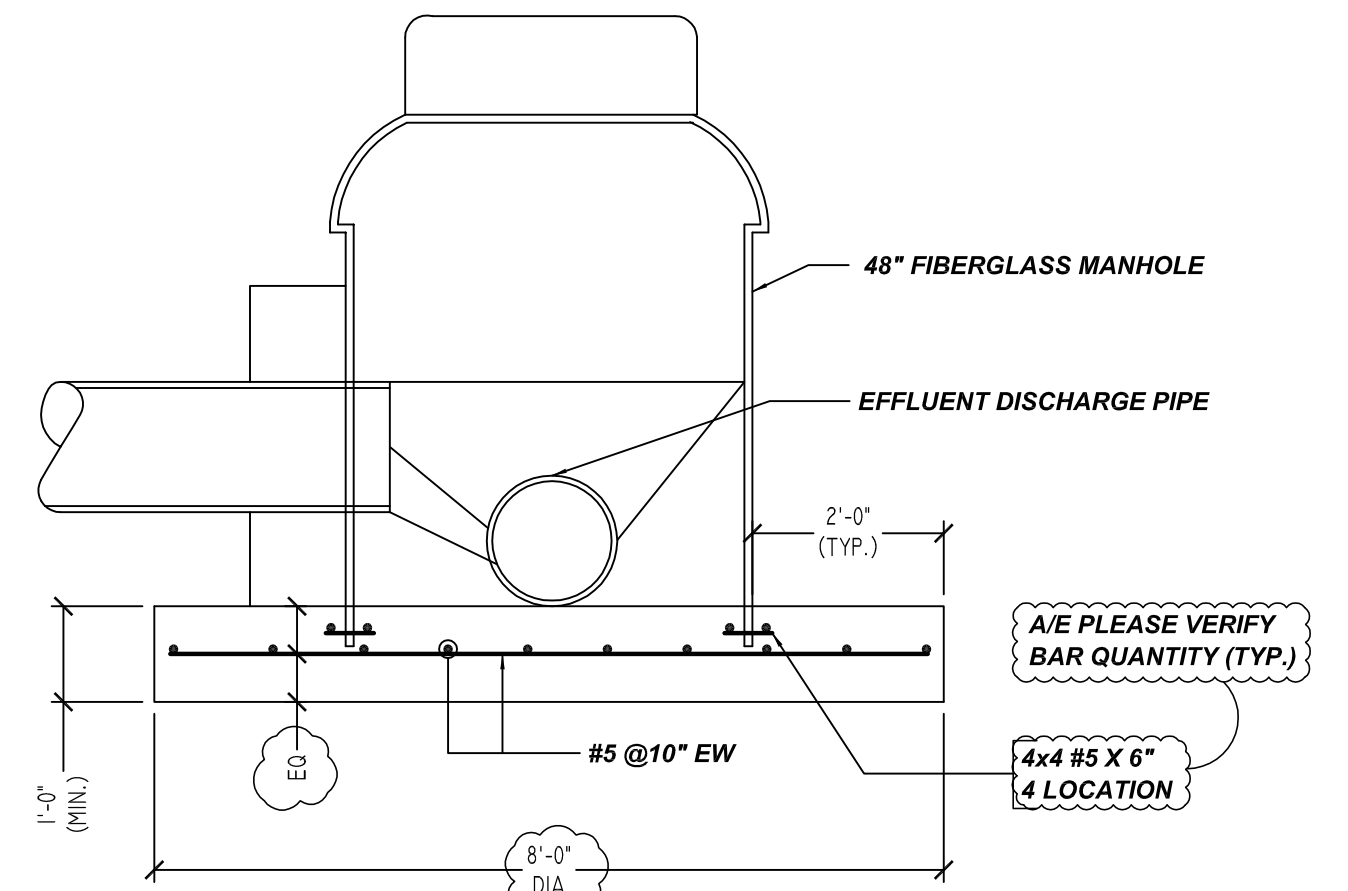
**ALL BARS IN THIS DRAWING
 ASTM A615 GRADE 60
 BLACK UNCOATED**



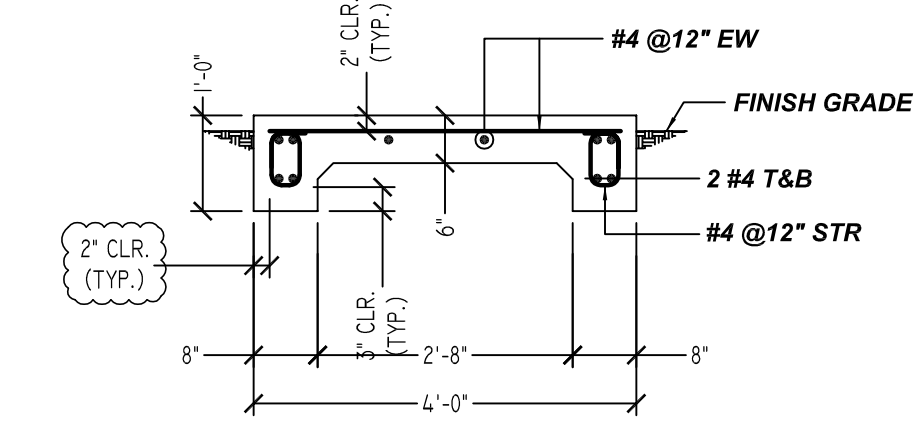
5 SECTION
 SCALE - 1/2"=1'-0"
 REF: SHEET-14 OF 29



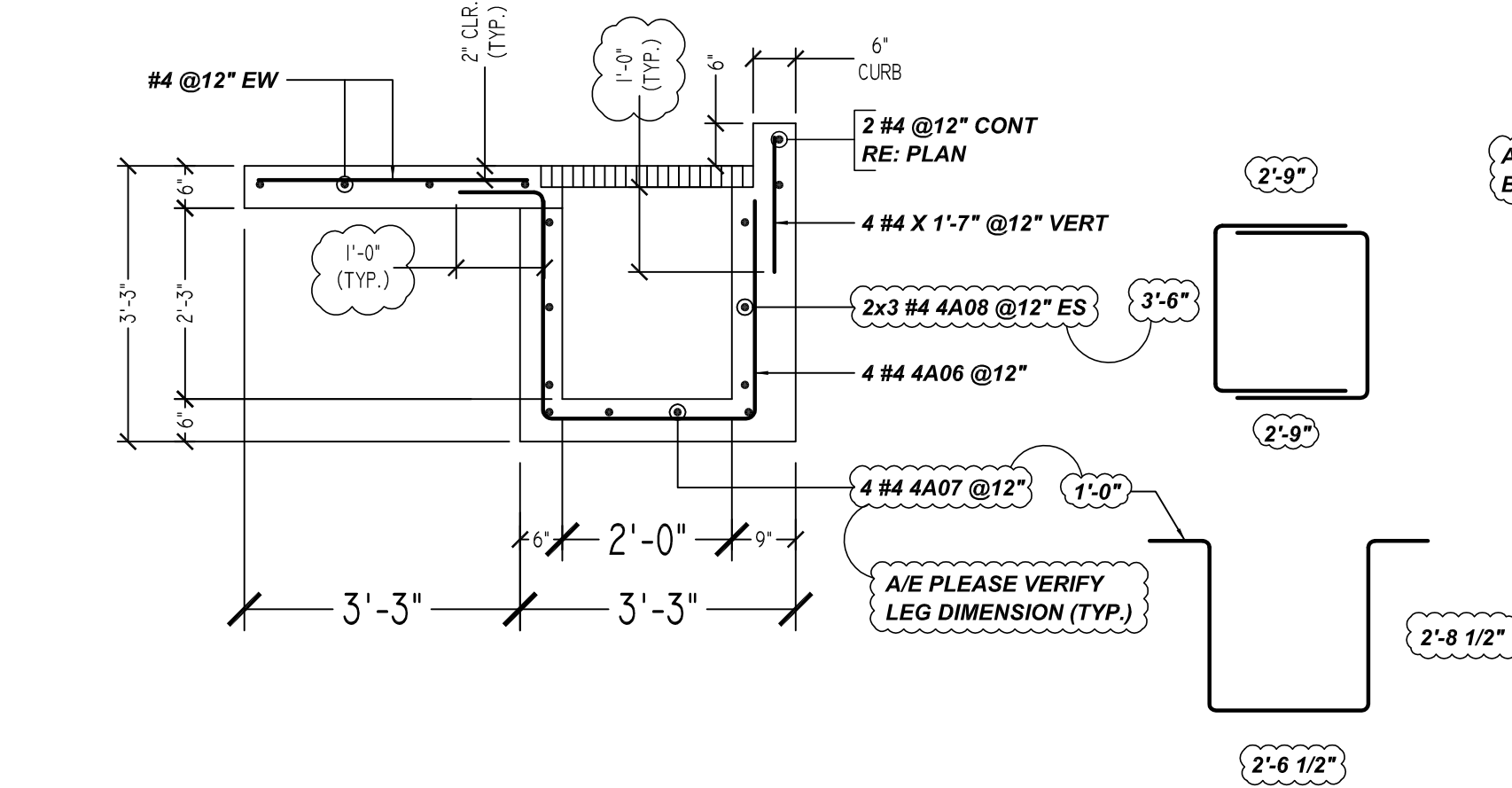
6 SECTION
 SCALE - 1/2"=1'-0"
 REF: SHEET-14 OF 29



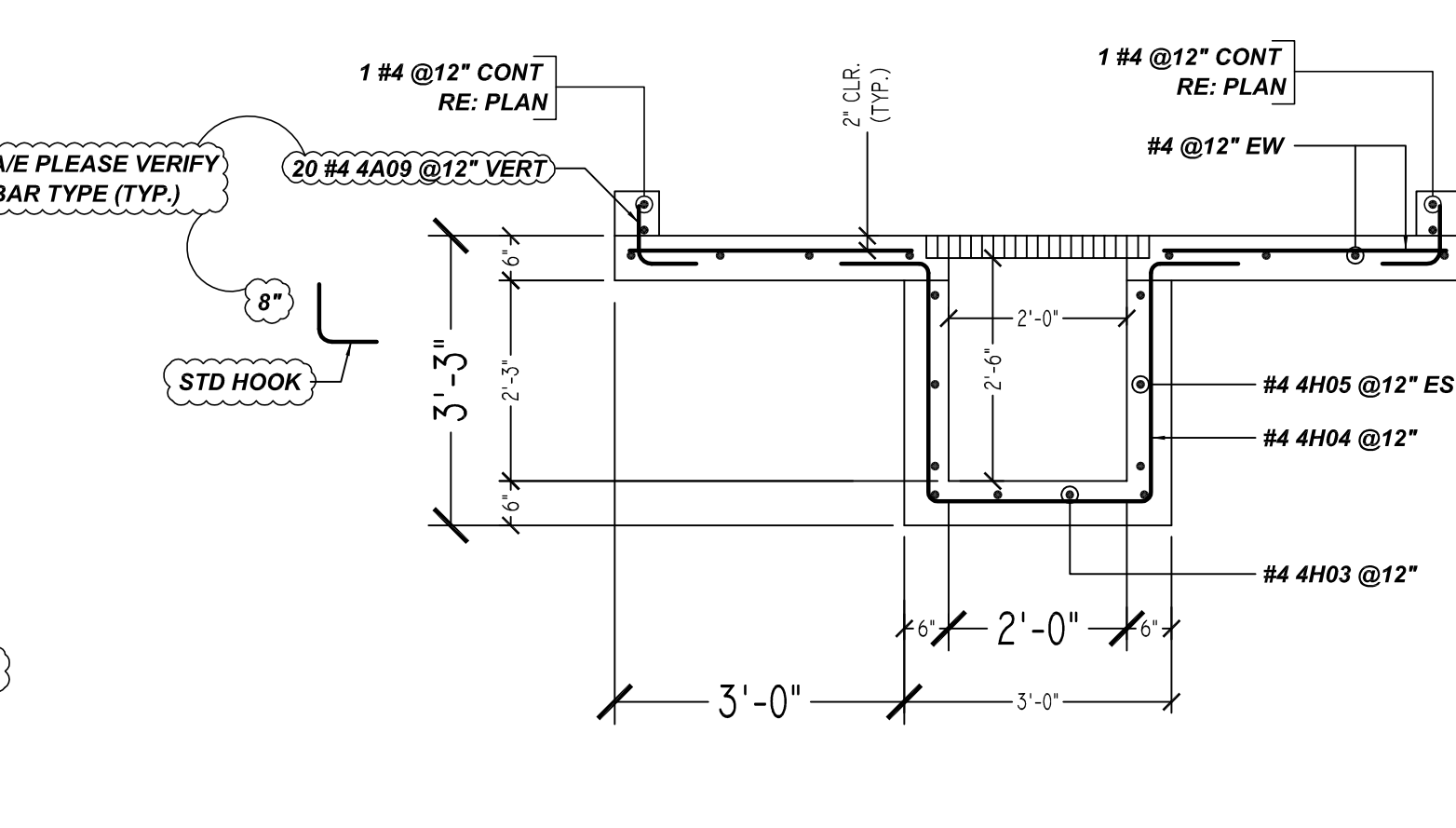
7 SECTION
 SCALE - 1/2"=1'-0"
 REF: 18 OF 29



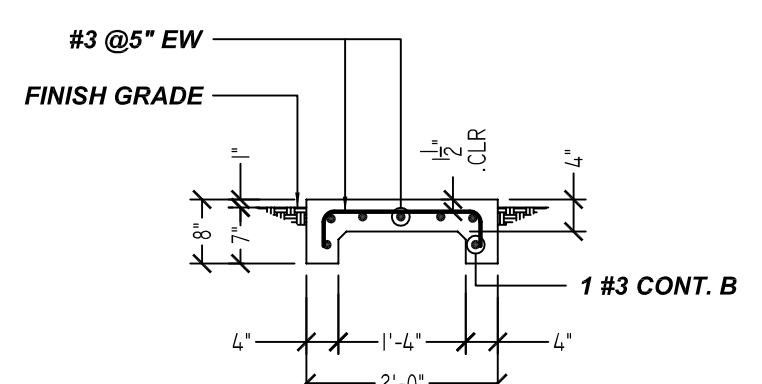
8 SECTION
 SCALE - 1/2"=1'-0"
 REF: A/15 OF 29



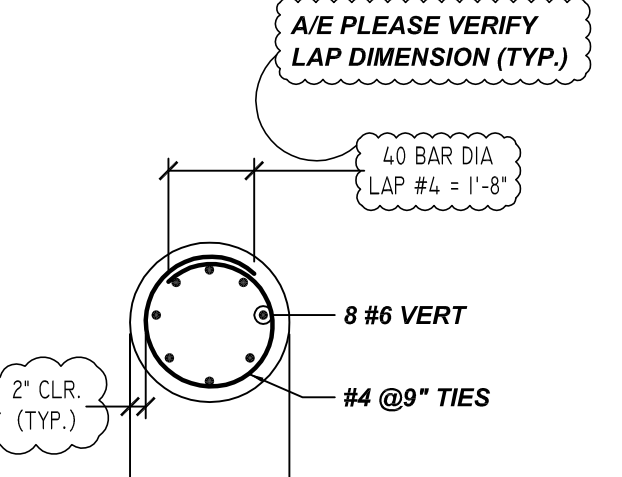
9 SECTION
 SCALE - 1/2"=1'-0"
 REF: A-A/15 OF 29



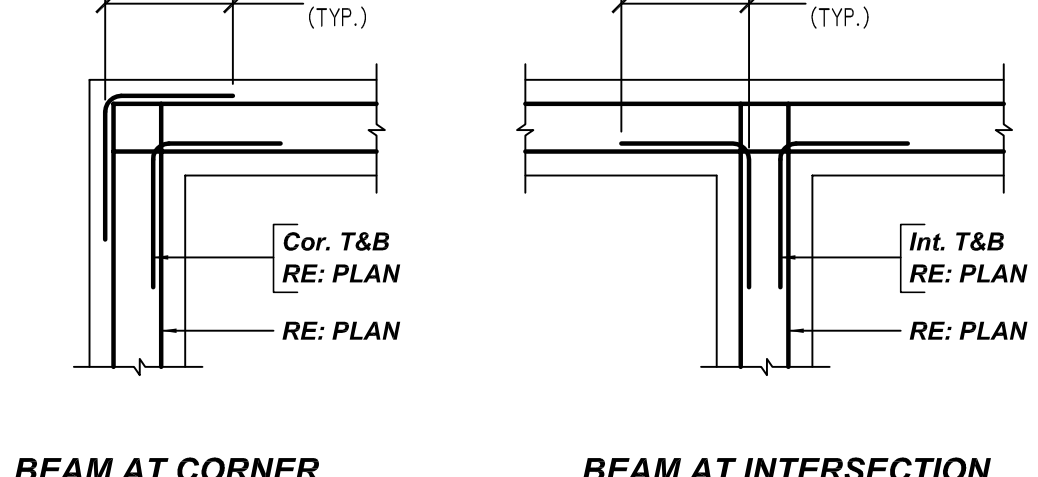
10 SECTION
 SCALE - 1/2"=1'-0"
 REF: A-A/15 OF 29 (SIM.)



11 SECTION
 SCALE - 1/2"=1'-0"
 REF: A-A/15 OF 29 (SIM.)



12 SECTION
 SCALE - 1/2"=1'-0"
 REF: A-A/15 OF 29 (SIM.)



TYPICAL DETAIL
 SCALE - 1/2"=1'-0"
 REF: SHEET-13 & 14 OF 29

SUBMITTAL RECORD		PROJECT INFORMATION		DRAWING
DATE: 09/29/2021	FOR: APPROVAL	CUSTOMER: ALLOD	JOB #: 706	
DATE: -	FOR: -	JOB NAME: HANHAMER WWTP	DETAILER: BCS	
DATE: -	FOR: -	LOCATION: TX	PHONE: -	
DATE: -	FOR: -	DESCRIPTION: SITE WORK REINFORCEMENT DETAILS		

R1.003