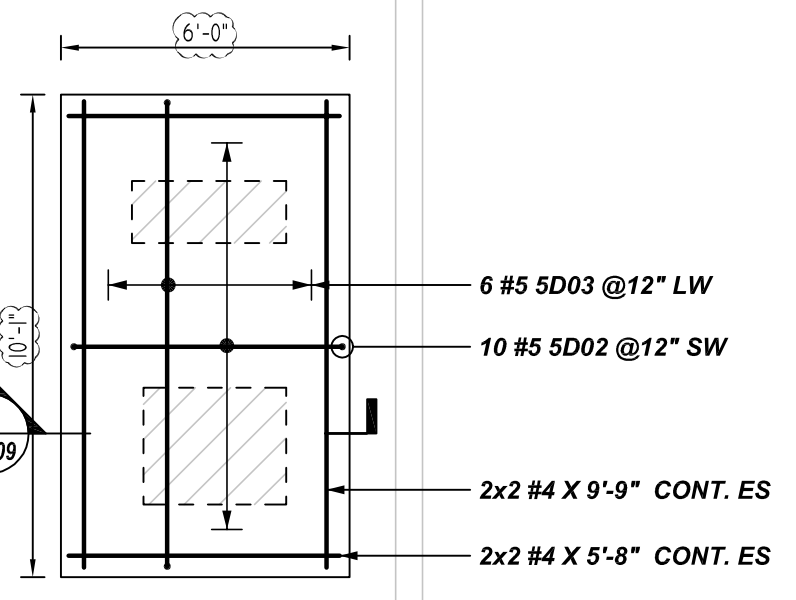
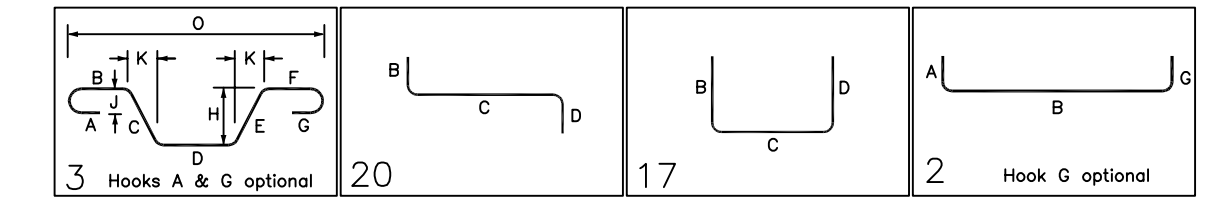


BUILDING-G FOUNDATION & SOG REINFORCEMENT DETAILS
 REF:SC-11.1 (DT.04/03/22)
 SCALE: 1/4" = 1'-0"



Bar Mark	Qty	Size	Total Length	Type	X	Y	Z	W	V	U	T	S	R	Q	P	O	N	M	L	K	J	I	H	G	F	E	D	C	B	A	
3001	7	#3	3'-6"	3		2'-6"	0'-4"	0'-8"																							
4001	17	#4	3'-1 1/2"	3		2'-5"	0'-8 1/2"	0'-4"																							
4002	7	#4	1'-4"	20		0'-4"	0'-4"	0'-4"																							
4003	4	#4	1'-4"	17		0'-5"	0'-10"	0'-4"																							
4004	9	#4	4'-8 1/2"	3		2'-7"	1'-4 1/2"	0'-9"																							
4005	9	#4	2'-8 1/2"	20		1'-5 1/2"	0'-10"	0'-5"																							
4006	9	#4	1'-10"	17		0'-5"	0'-10"	0'-5"																							
4007	8	#4	2'-10 1/2"	3		2'-5"	0'-5 1/2"	0'-5"																							
5001	8	#5	3'-10 1/2"	17		1'-9"	2'-10"	0'-9"																							
5002	10	#5	7'-2 1/2"	17		0'-9"	3'-5"	0'-9"																							
5003	6	#5	11'-3 1/2"	17		0'-9"	9'-2"	0'-9"																							
5004	24	#5	2'-5 1/2"	2		0'-10"	1'-5"	0'-9"																							
5005	8	#5	2'-5 1/2"	2		0'-10"	1'-5"	0'-9"																							



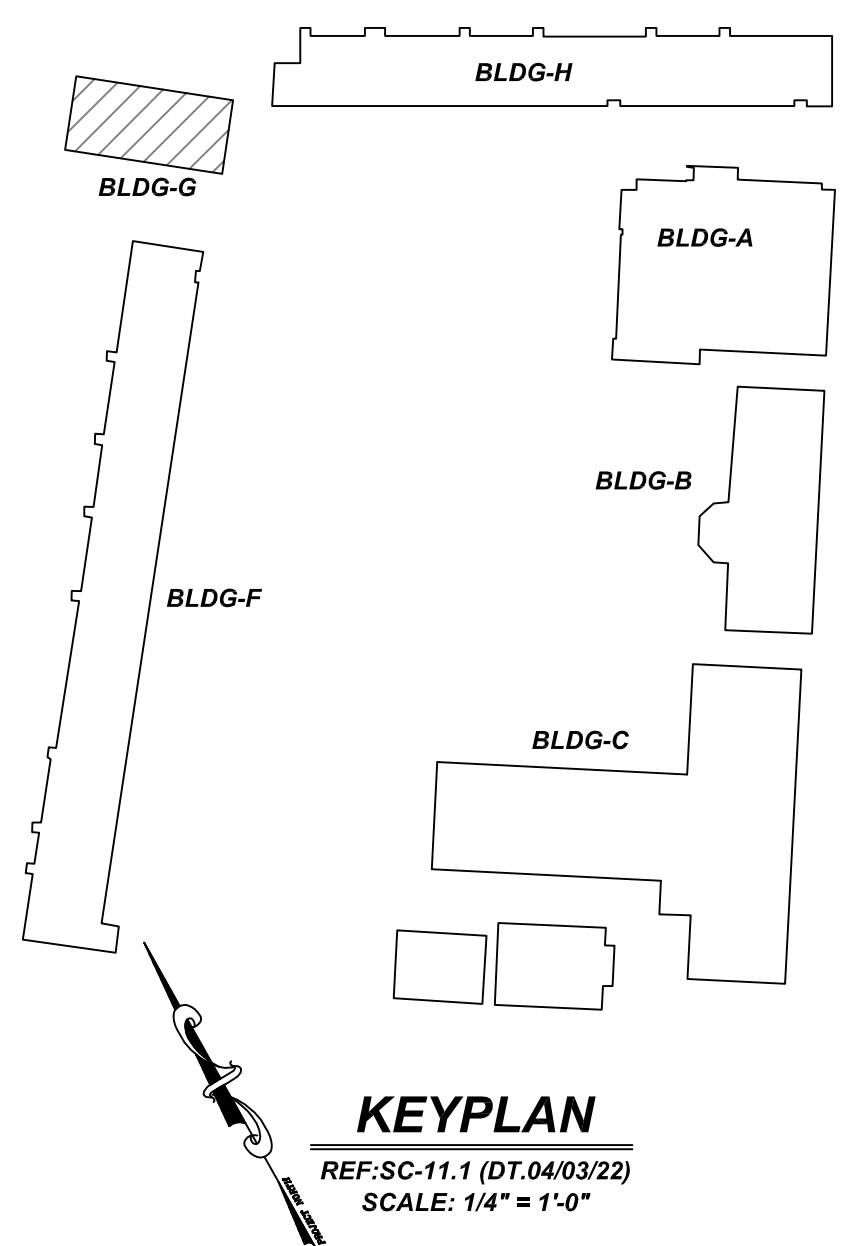
LAP SCHEDULE
 3000 PSI (CLASS-B) CASE - 1
 Per ACI 318 (12.2.2)

BAR#	LENGTHS	
	TOP	OTHERS
#3	2'-4"	1'-10"
#4	3'-1"	2'-5"
#5	3'-11"	3'-0"
#6	4'-8"	3'-7"
#7	6'-9"	5'-3"
#8	7'-9"	6'-0"
#9	8'-9"	6'-9"
#10	9'-10"	7'-7"
#11	10'-11"	8'-5"

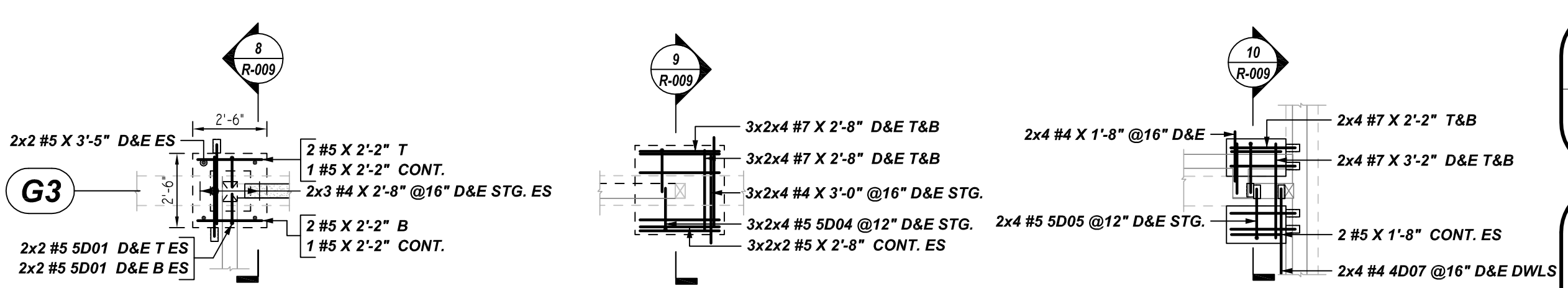
TYPICAL REINFORCING BAR CLEARANCE TABLE	
LOCATION	MIN. COVER
FOUNDATION	3" CLR
SLAB SIDE	3" CLR

**ALL BARS IN THIS DRAWING
 ASTM A615 GRADE 60
 BLACK UNCOATED**

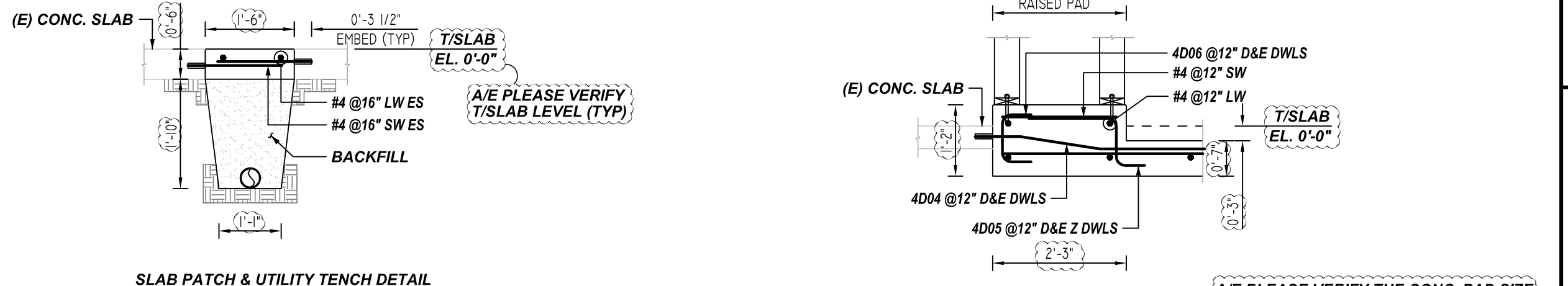
ALL TOP BARS ARE DEFINED AS
 HORIZ BARS WITH MORE THAN
 12" OF CONCRETE BELOW BARS.



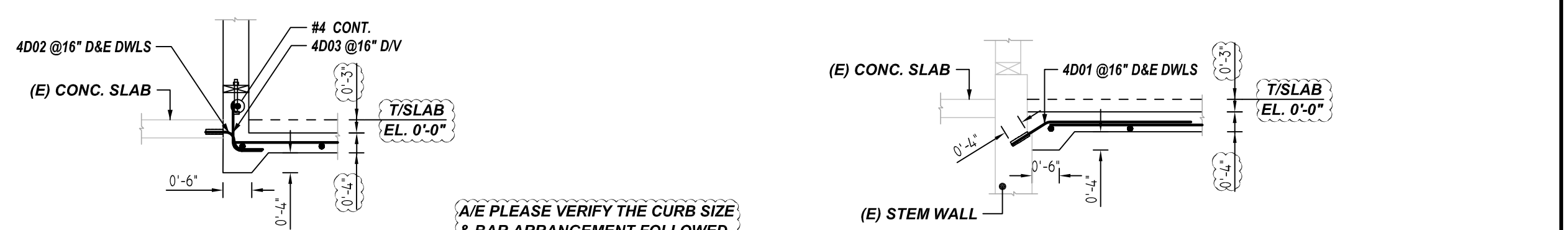
KEYPLAN
 REF:SC-11.1 (DT.04/03/22)
 SCALE: 1/4" = 1'-0"



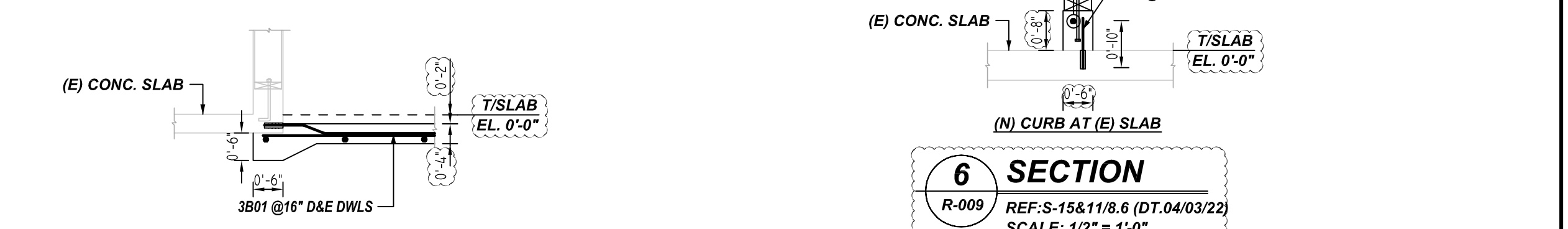
DETAIL A REF:SC-11.1 (DT.04/03/22) SCALE: 1/4" = 1'-0"
DETAIL B REF:SC-11.1 (DT.04/03/22) SCALE: 1/4" = 1'-0" (3x LOCATIONS)
DETAIL C REF:SC-11.1 (DT.04/03/22) SCALE: 1/4" = 1'-0"



SECTION 1 REF:SF-12/41.1 (DT.04/03/22) SCALE: 1/2" = 1'-0"
SECTION 2 REF:SG-8/41.1 (DT.04/03/22) SCALE: 1/2" = 1'-0"



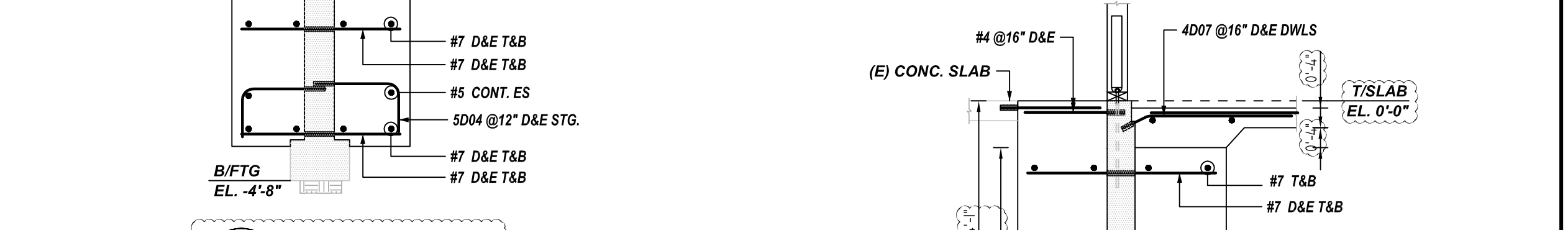
SECTION 3 REF:SF-4/41.1&7/55.1 (DT.04/03/22) SCALE: 1/2" = 1'-0"
SECTION 4 REF:SF-1/41.1 (DT.04/03/22) SCALE: 1/2" = 1'-0"



SECTION 5 REF:SF-7/41.1 (DT.04/03/22) SCALE: 1/2" = 1'-0"
SECTION 6 REF:S-15&11/8.6 (DT.04/03/22) SCALE: 1/2" = 1'-0"



SECTION 7 REF:SF-3/41.1 (DT.04/03/22) SCALE: 1/2" = 1'-0"
SECTION 8 REF:SG-3/41.1 (DT.04/03/22) SCALE: 1/2" = 1'-0"



SECTION 9 REF:SF-10/41.1 (DT.04/03/22) SCALE: 1/2" = 1'-0"
SECTION 10 REF:SF-11 & 15/41.1 (DT.04/03/22) SCALE: 1/2" = 1'-0"



SECTION 11 REF:S-13/5.3 (DT.04/03/22) SCALE: 1/2" = 1'-0"

REBAR GRADE ASTM A615 GRADE 60
PRE-FIX: D
DATE 08/05/22
DRAWING STATUS FOR APPROVAL
TITLE: BUILDING-G FOUNDATION & SOG REINFORCEMENT DETAILS PROJECT: PALO VERDE ES NEW MPR & CLASSROOM BUILDINGS & BUILDING ALTERATIONS LOCATION: 3450 LOUIS RD. PALO ALTO, CA 94303 CUSTOMER: - DRAWN BY: JSN DATE: 08/05/22 CHKD BY: MET
JOB # 78063
DWG # R-009