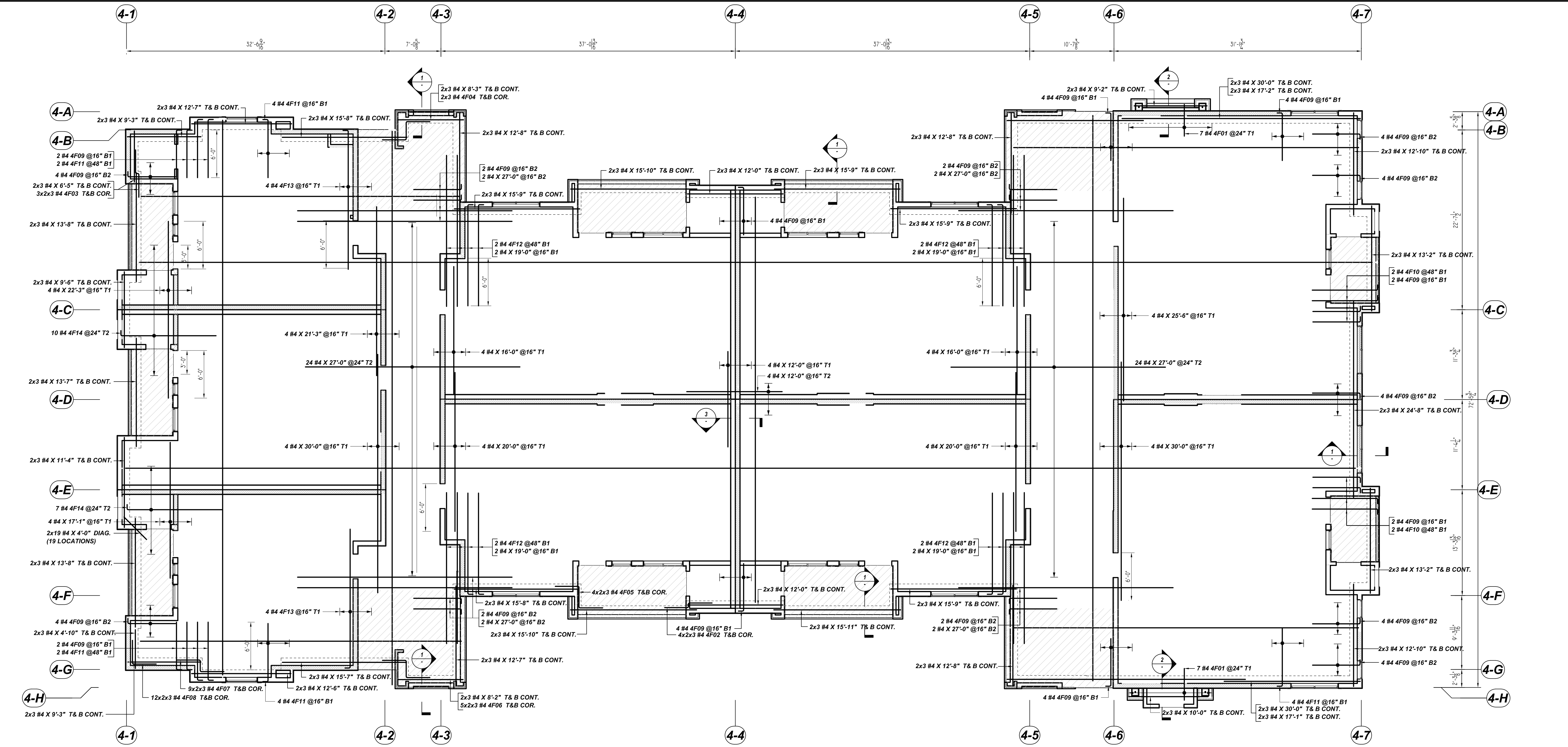


DATE	08/29/2022
DRAWING STATUS	FOR APPROVAL
REVISION	REVISED & RE-SUBMITTED
FOR CONSTRUCTION	PER CUSTOMER'S REQUEST



LAP SCHEDULE

4000 PSI (CLASS-B) CASE - 1
Per S5.00/5

BAR#	LENGTHS	
	TOP	OTHERS
#3	25	19
#4	33	25
#5	41	31
#6	49	37
#7	71	54
#8	81	62
#9	91	70
#10	103	79
#11	114	87

ALL TOP BARS ARE DEFINED AS HORIZ BARS WITH MORE THAN 12" OF CONCRETE BELOW BARS.

**ALL BARS IN THIS DRAWING
ASTM A615 GRADE 60
BLACK UNCOATED**

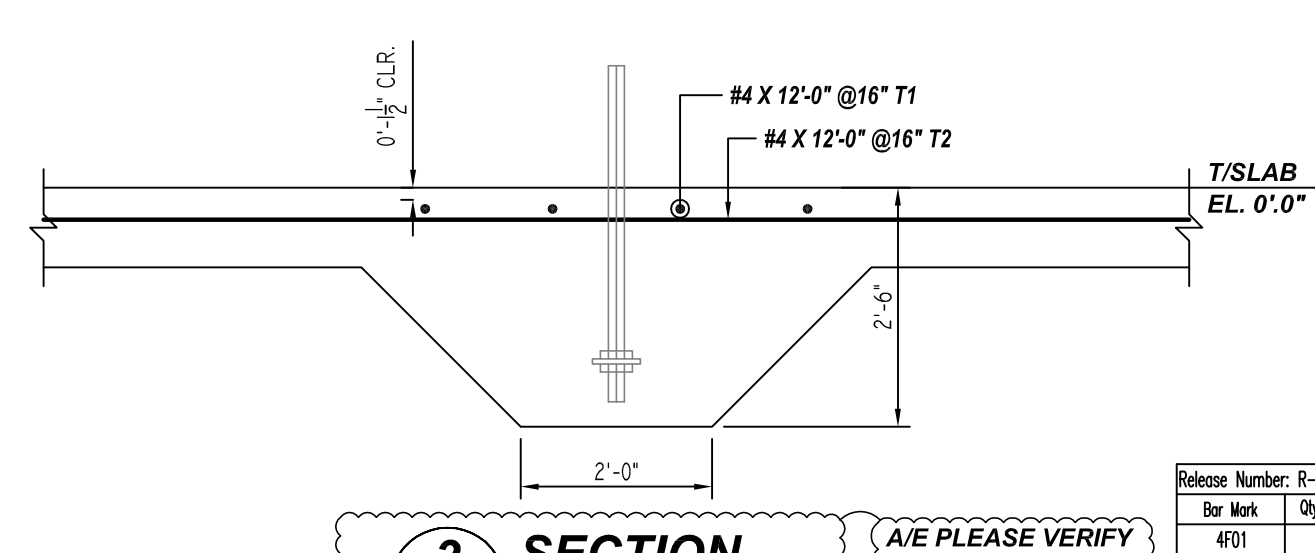
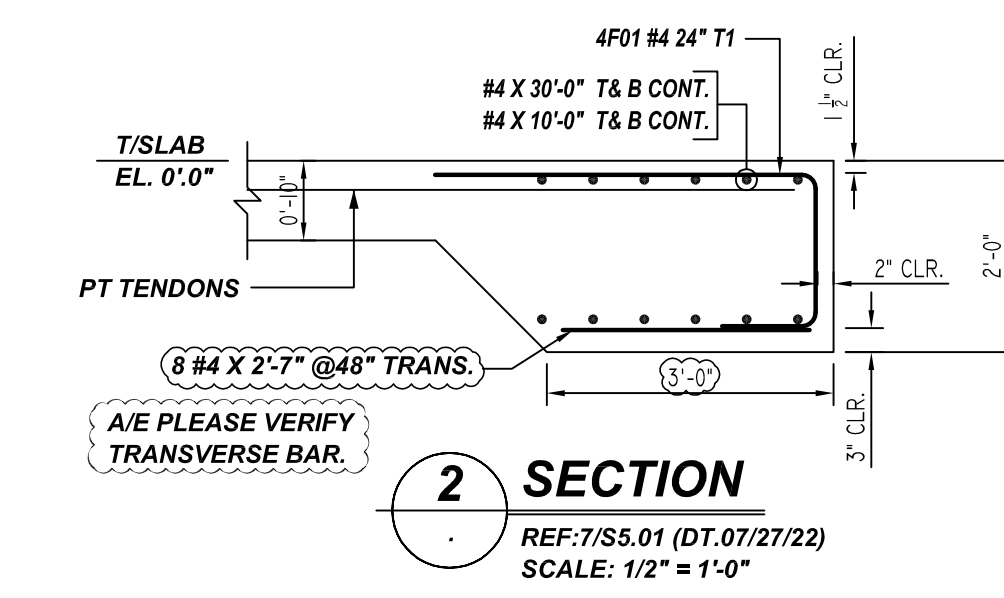
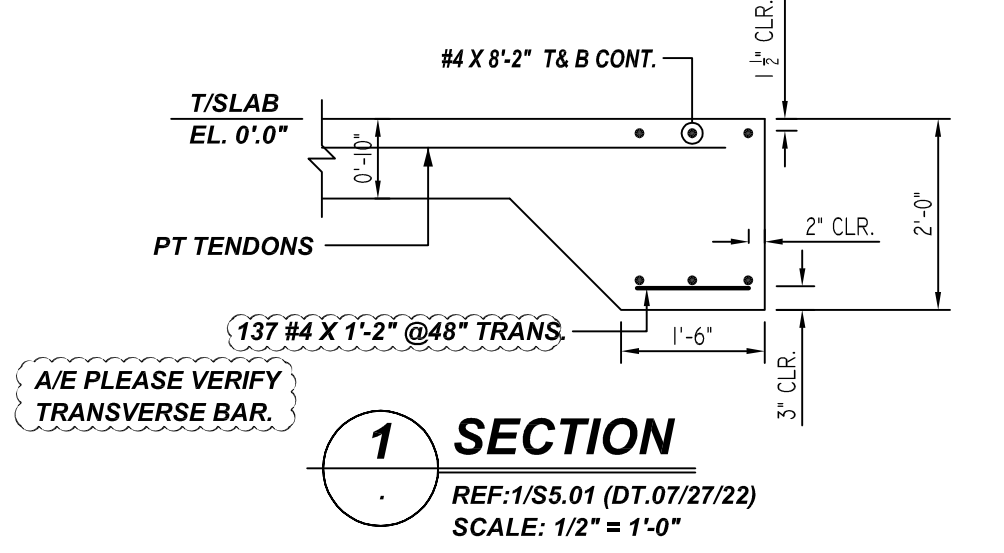
TYPICAL REINFORCING BAR CLEARANCE TABLE	
LOCATION	MIN. COVER
FOUNDATION BOTTOM.	3" CLR
FOUNDATION TOP.	1 1/2" CLR
FOUNDATION SIDE.	2" CLR

- PLACING PLAN NOTES:
- THIS DRAWING IS FOR REBAR PLACEMENT ASSISTANCE ONLY; REFER TO STRUCTURAL DETAILS FOR CONTRACT REQUIREMENTS.
 - SECTIONS/DETAILS/DIMENSIONS ON PLACING PLAN ARE FOR REFERENCE ONLY AND ARE TO BE USED IN CONJUNCTION WITH CONTRACT DRAWINGS PER CRSI MANUAL OF STANDARD PRACTICE.
 - REINFORCING STEEL IS DETAILED PER CONTRACT DOCUMENTS ONLY AS SHOWN. CODE COMPLIANCE REQUIREMENTS ARE THE RESPONSIBILITY OF ENGINEER AND/OR CONTRACTOR.
 - THE CONTRACTOR(S) UNDERSTANDS THAT THE ENGINEER SHOULD ALWAYS VERIFY SHOP DRAWINGS. IF TIME DOES NOT ALLOW FOR APPROVALS, P.T.S IS NOT HELD RESPONSIBLE FOR UNAPPROVED SHOP DRAWINGS USED IN PLACING (CRSI MANUAL OF STANDARD PRACTICE). THE CUSTOMER AND ENGINEER SHOULD REVIEW SHOP DRAWINGS PRIOR TO INSTALLATION TO VERIFY ACCURACY TO STRUCTURAL DRAWINGS.

- PLACING NOTES:
- DIMENSIONS, ELEVATIONS & DRAWING SCALES SHOWN ARE FOR REFERENCE ONLY. CONTRACTOR TO PROVIDE LINES, GRADES & TEMPLATES REQUIRED FOR PLACEMENT.
 - SECTIONS & DETAILS MAY NOT BE SHOWN ON ALL PLACING PLANS. KEEP STRUCTURAL DRAWINGS ON SITE FOR USE.
 - SOME LAP LENGTHS WILL BE ROUNDED UP IN DETAILING TO PROVIDE FOR 1" INCREMENTS FOR LAPS.
 - LAPS OR EMBEDMENT LENGTHS SHOWN IN SPECIFIC DETAILS WILL SUPERSEDE LAPS IN THE LAP SCHEDULE.
 - MILL CERTIFICATIONS ARE REQUIRED FOR ALL SHIPMENTS. IF BARS CANNOT BE IDENTIFIED, SPECIAL TESTING MAY BE DONE WITH SAMPLES CUT FROM SHIPMENT.
 - VERIFY PLACEMENT DRAWINGS TO LATEST ISSUE OF JOB RECORD DRAWINGS FOR POSSIBLE REVISIONS OR FIELD CHANGES.
 - TYPICAL NOTES & DETAILS ARE USED THROUGHOUT ENTIRE PROJECT & APPLY UNLESS NOTED OTHERWISE.

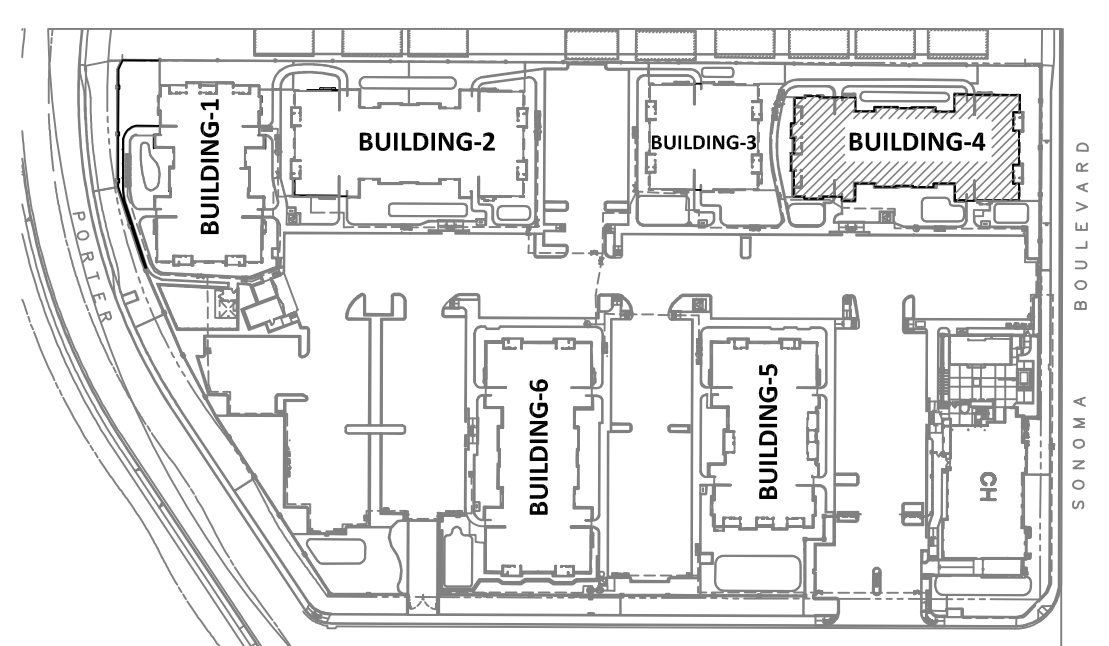
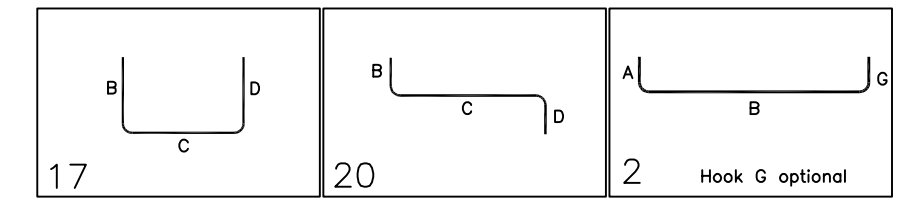
BUILDING 4 FOUNDATION REINFORCEMENT DETAILS

REF: S2.41 (DT.07/27/22)
SCALE: 1/6" = 1'-0"



Release Number: R-003

Bar Mark	Qty	Size	Total Length	Type	X	Y	Z	V	W	U	T	S	R	Q	P	O	N	M	L	K	J	I	H	G	F	E	D	C	B	A
4E01	14	#4	8'-7 1/2"	17																										
4E02	24	#4	6'-7 1/2"	20																										
4E03	18	#4	8'-5 1/2"	20																										
4E04	6	#4	8'-4"	20																										
4E05	24	#4	8'-9"	20																										
4E06	30	#4	8'-2 1/2"	20																										
4E07	34	#4	7'-6"	20																										
4E08	72	#4	6'-0"	17																										
4E09	64	#4	6'-8"	2	0'-8"																									
4E10	4	#4	8'-11"	2	0'-8"																									
4E11	16	#4	8'-0"	2	0'-8"																									
4E12	8	#4	13'-5"	2	0'-8"																									
4E13	8	#4	18'-2"	2	0'-8"																									
4E14	17	#4	12'-8"	2	0'-8"																									



AREA KEY PLAN
REF: S2.11
N.T.S.

TITLE: BUILDING 4 FOUNDATION REINFORCEMENT DETAILS
PROJECT: THE OAKWOOD APARTMENTS
LOCATION: MAGAZINE ST AND SONOMA BLVD VALLEJO, CA
CUSTOMER:
DRAWN BY: JR DATE: 08/29/2022
CHKD BY: