

**LAP SCHEDULE**  
4000 PSI (CLASS-B) CASE - 1  
Per S5.00/5

BAR#	LENGTHS	
	TOP	OTHERS
#3	25	19
#4	33	25
#5	41	31
#6	49	37
#7	71	54
#8	81	62
#9	91	70
#10	103	79
#11	114	87

ALL TOP BARS ARE DEFINED AS HORIZ BARS WITH MORE THAN 12" OF CONCRETE BELOW BARS.

**BUILDING - 5 FOUNDATION PLAN**  
REF: S2.51 (DT.07/27/22)  
SCALE: 1/4" = 1'-0"

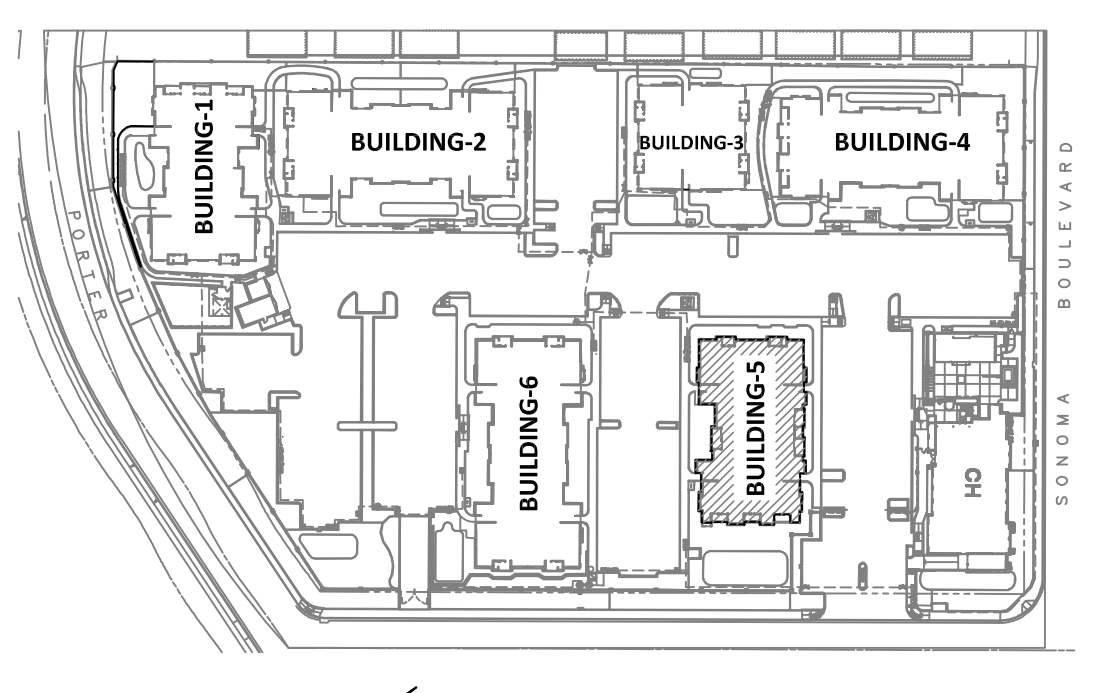
**ALL BARS IN THIS DRAWING  
ASTM A615 GRADE 60  
BLACK UNCOATED**

**TYPICAL REINFORCING BAR CLEARANCE TABLE**

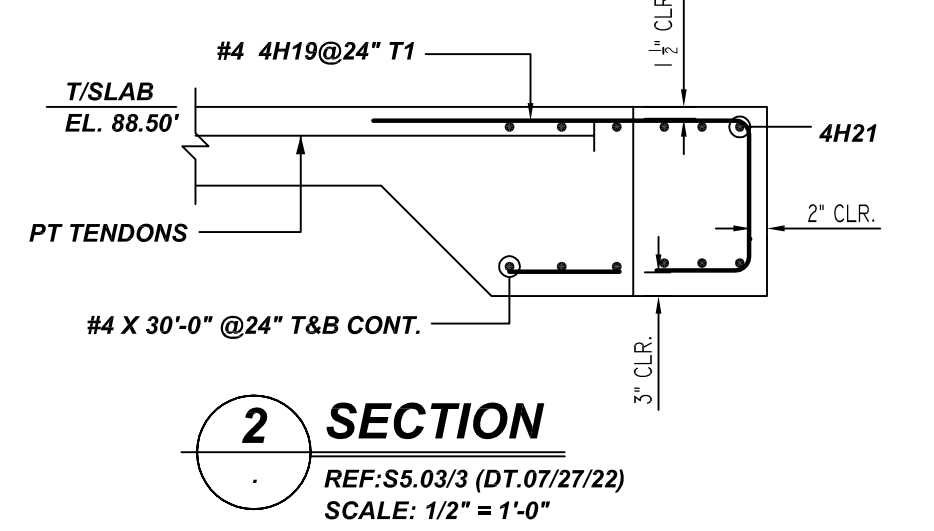
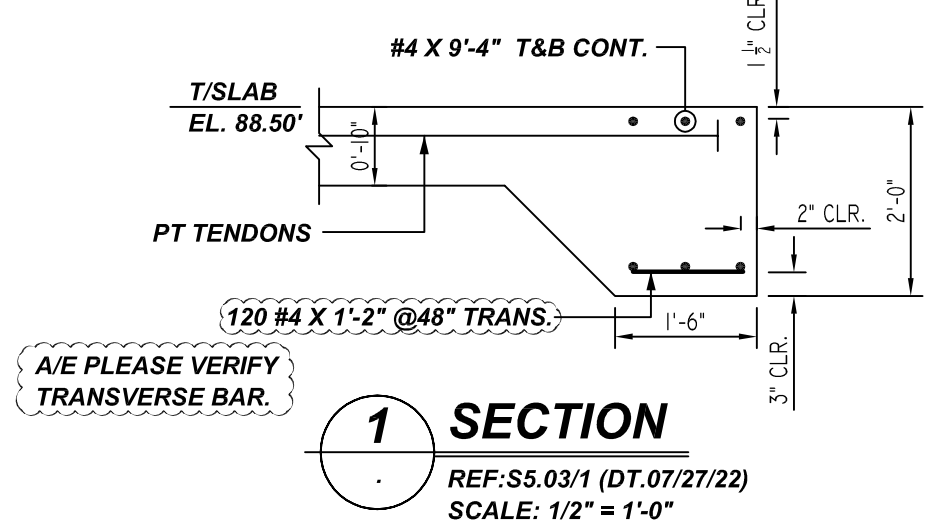
LOCATION	MIN. COVER
FOUNDATION BOTTOM.	3" CLR
FOUNDATION TOP.	1 1/2" CLR
FOUNDATION SIDE.	2" CLR

Rebar Number: R-007

Bar Mark	Qty	Size	Total Length	Type	X	Y	Z	W	V	U	T	S	R	Q	P	O	N	M	L	K	J	I	H	G	F	E	D	C	B	A	
4#01	12	#4	6'-7 1/2"	20	2'-9"	1'-1 1/2"	2'-9"																								
4#02	12	#4	5'-10 3/4"	20	2'-9"	6'-4 1/4"	2'-9"																								
4#03	48	#4	7'-0"	20	2'-9"	1'-5"	2'-9"																								
4#04	6	#4	11'-11 1/2"	20	2'-9"	3'-8 1/2"	5'-6"																								
4#05	6	#4	10'-0"	20	2'-9"	1'-9"	5'-6"																								
4#06	12	#4	7'-10 1/2"	20	4'-0"	1'-1 1/2"	7'-9"																								
4#07	6	#4	12'-0 1/2"	20	4'-0"	2'-6 1/2"	5'-6"																								
4#08	6	#4	10'-3 1/2"	20	2'-9"	2'-9 1/2"	5'-6"																								
4#09	6	#4	8'-3"	20	2'-9"	2'-9"	2'-9"																								
4#10	12	#4	13'-11 1/2"	2	0'-8"	13'-5"																									
4#11	2	#4	11'-8"	2	0'-8"	11'-0"																									
4#12	6	#4	6'-8"	2	0'-8"	6'-0"																									
4#13	12	#4	7'-11 1/2"	2	0'-8"	7'-5"																									
4#14	2	#4	15'-2"	2	0'-8"	14'-5"																									
4#15	4	#4	18'-8"	2	0'-8"	18'-0"																									
4#16	24	#4	5'-0"	17	0'-8"	7'-6"	2'-6"																								
4#17	4	#4	8'-10"	2	0'-8"	8'-2"																									
4#18	24	#4	7'-8"	20	2'-9"	2'-2"	7'-9"																								
4#19	12	#4	6'-7 1/2"	17	1'-0"	1'-7 1/2"	4'-0"																								
4#20	6	#4	6'-1 1/2"	20	2'-9"	6'-7 1/2"	2'-9"																								
4#21	12	#4	10'-2 1/2"	2	0'-8"	9'-3"																									
4#22	8	#4	18'-2 1/2"	2	0'-8"	17'-6"																									



**AREA KEY PLAN**  
REF: S2.11  
N.T.S



- PLACING PLAN NOTES:**
- THIS DRAWING IS FOR REBAR PLACEMENT ASSISTANCE ONLY. REFER TO STRUCTURAL DRAWINGS FOR CONTRACT REQUIREMENTS.
  - SECTIONS/DETAILS/DIMENSIONS ON PLACING PLAN ARE FOR REFERENCE ONLY AND ARE TO BE USED IN CONJUNCTION WITH CONTRACT DRAWINGS PER CSI MANUAL OF STANDARD PRACTICE.
  - REINFORCING STEEL IS DETAILED PER CONTRACT DOCUMENTS ONLY AS SHOWN. CODE COMPLIANCE REQUIREMENTS ARE THE RESPONSIBILITY OF ENGINEER AND/OR CONTRACTOR.
  - THE CONTRACTOR(S) UNDERSTANDS THAT THE ENGINEER SHOULD ALWAYS VERIFY SHOP DRAWINGS, IF TIME DOES NOT ALLOW FOR APPROVALS, PJS IS NOT HELD RESPONSIBLE FOR UNAPPROVED SHOP DRAWINGS USED IN PLACING (CSI MANUAL OF STANDARD PRACTICE). THE CUSTOMER AND ENGINEER SHOULD REVIEW SHOP DRAWINGS PRIOR TO INSTALLATION TO VERIFY ACCURACY TO STRUCTURAL DRAWINGS.
- PLACING NOTES:**
- DIMENSIONS, ELEVATIONS & DRAWING SCALES SHOWN ARE FOR REFERENCE ONLY. CONTRACTOR TO PROVIDE LINES, GRADES & TEMPLATES REQUIRED FOR PLACEMENT.
  - SECTIONS & DETAILS MAY NOT BE SHOWN ON ALL PLACING PLANS. KEEP STRUCTURAL DRAWINGS ON SITE FOR USE.
  - SOME LAP LENGTHS WILL BE ROUNDED UP IN DETAILING TO PROVIDE FOR 1" INCREMENTS FOR LAPS.
  - LAPS OR EMBEDMENT LENGTHS SHOWN IN SPECIFIC DETAILS WILL SUPERSEDE LAPS IN THE LAP SCHEDULE.
  - MILL CERTIFICATIONS ARE REQUIRED FOR ALL SHIPMENTS. IF BARS CANNOT BE IDENTIFIED, SPECIAL TESTING MAY BE DONE WITH SAMPLES CUT FROM SHIPMENT.
  - VERIFY PLACEMENT DRAWINGS TO LATEST ISSUE OF JOB RECORD DRAWINGS FOR POSSIBLE REVISIONS OR FIELD CHANGES.
  - TYPICAL NOTES & DETAILS ARE USED THROUGHOUT ENTIRE PROJECT & APPLY UNLESS NOTED OTHERWISE.

